

4. EXPLODED VIEWS

4-1. Packing Assembly

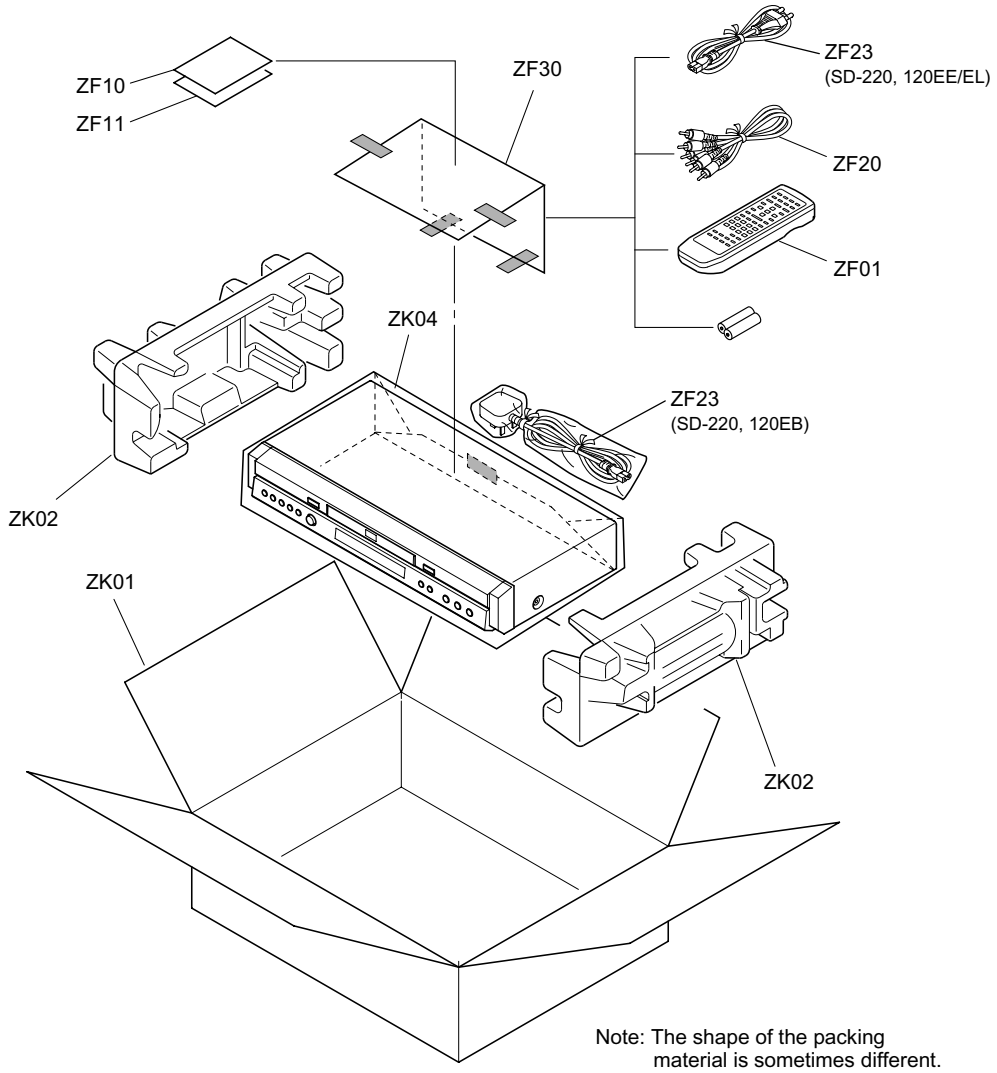


Fig. 4-4-1

4-2. Chassis Assembly (SD-220: Type A)

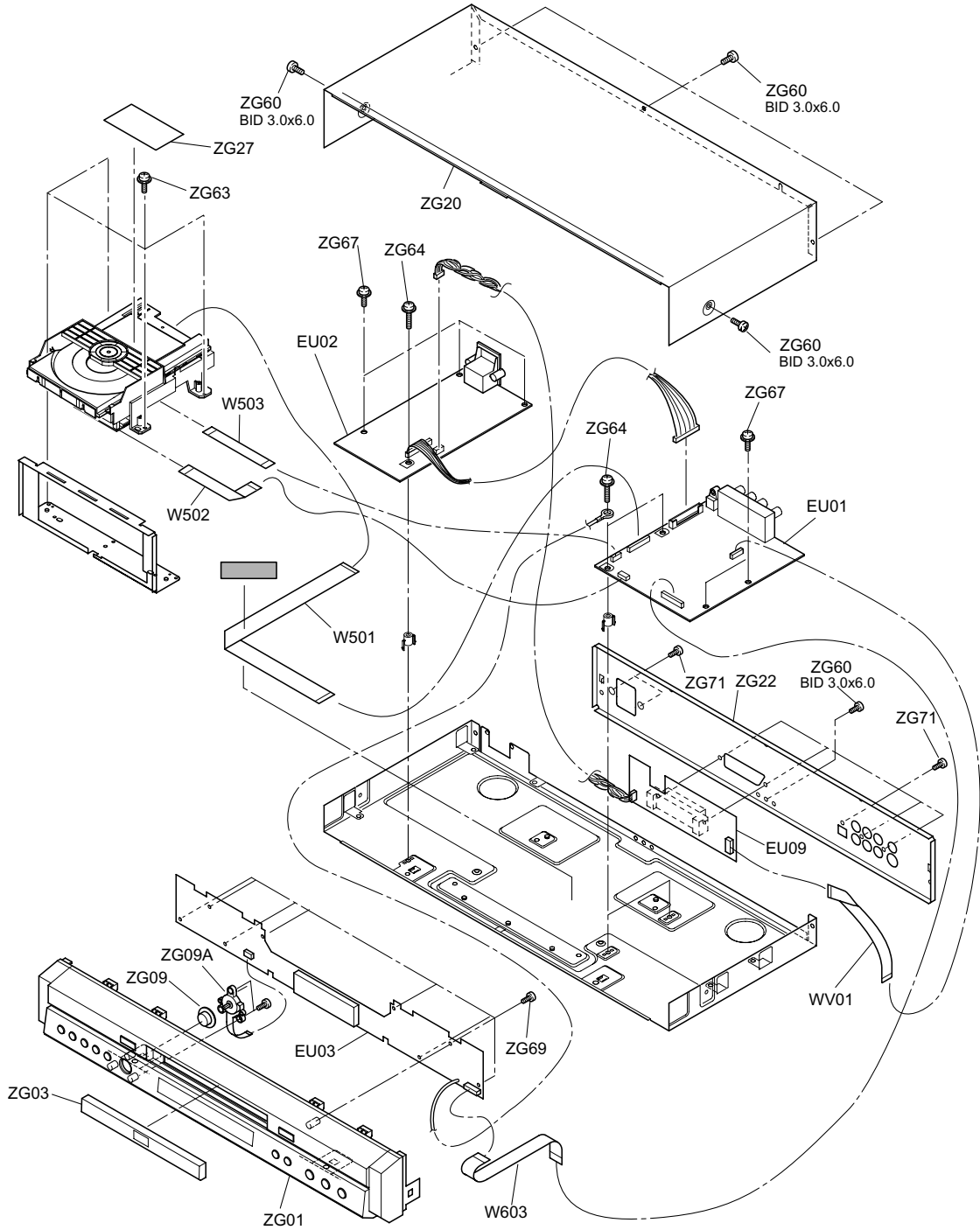


Fig. 4-4-2

4-3. Chassis Assembly (SD-120: Type A)

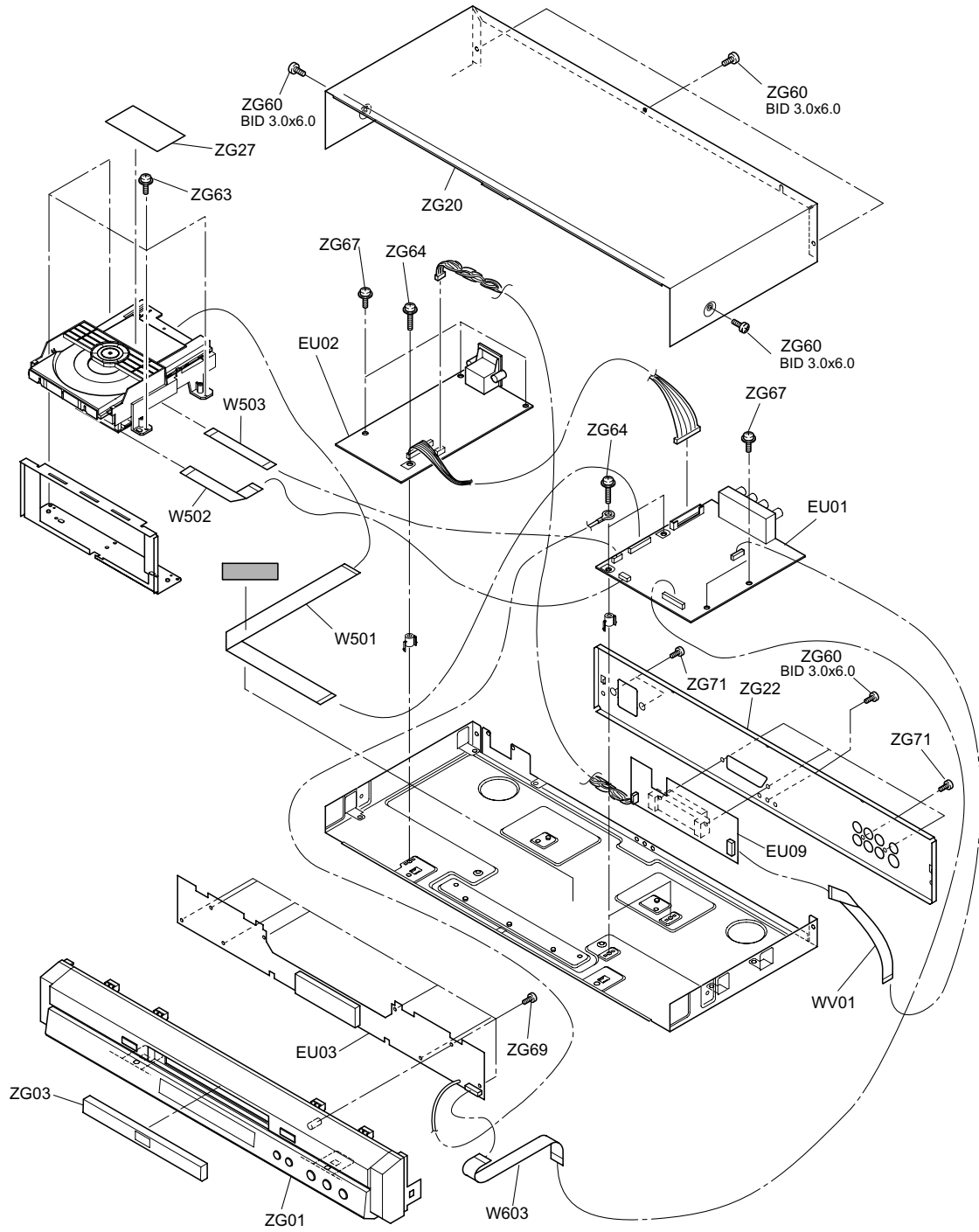


Fig. 4-4-3

4-4. Mechanism Assembly (Type A)

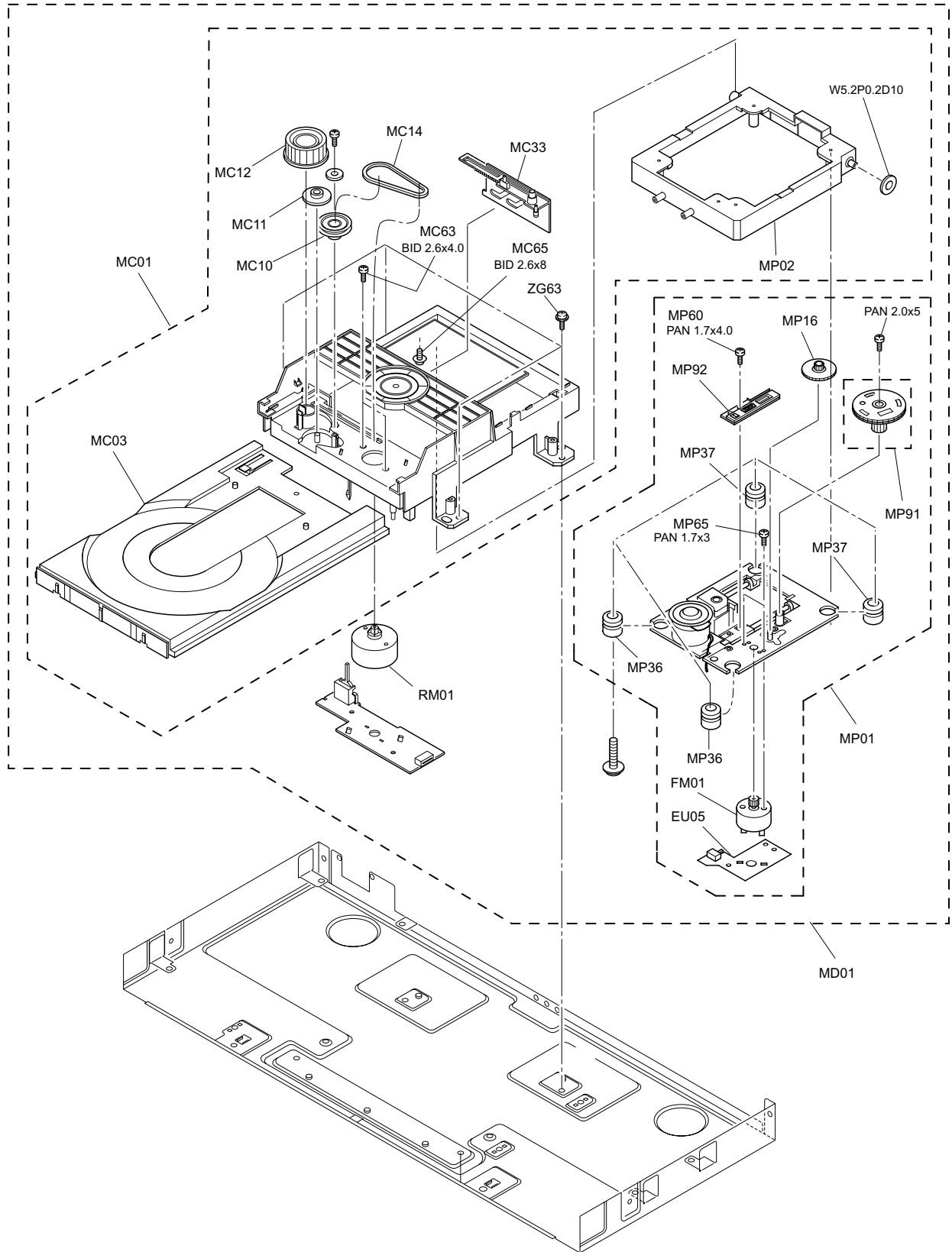


Fig. 4-4-4

4-5. Chassis Assembly (SD-220: Type B)

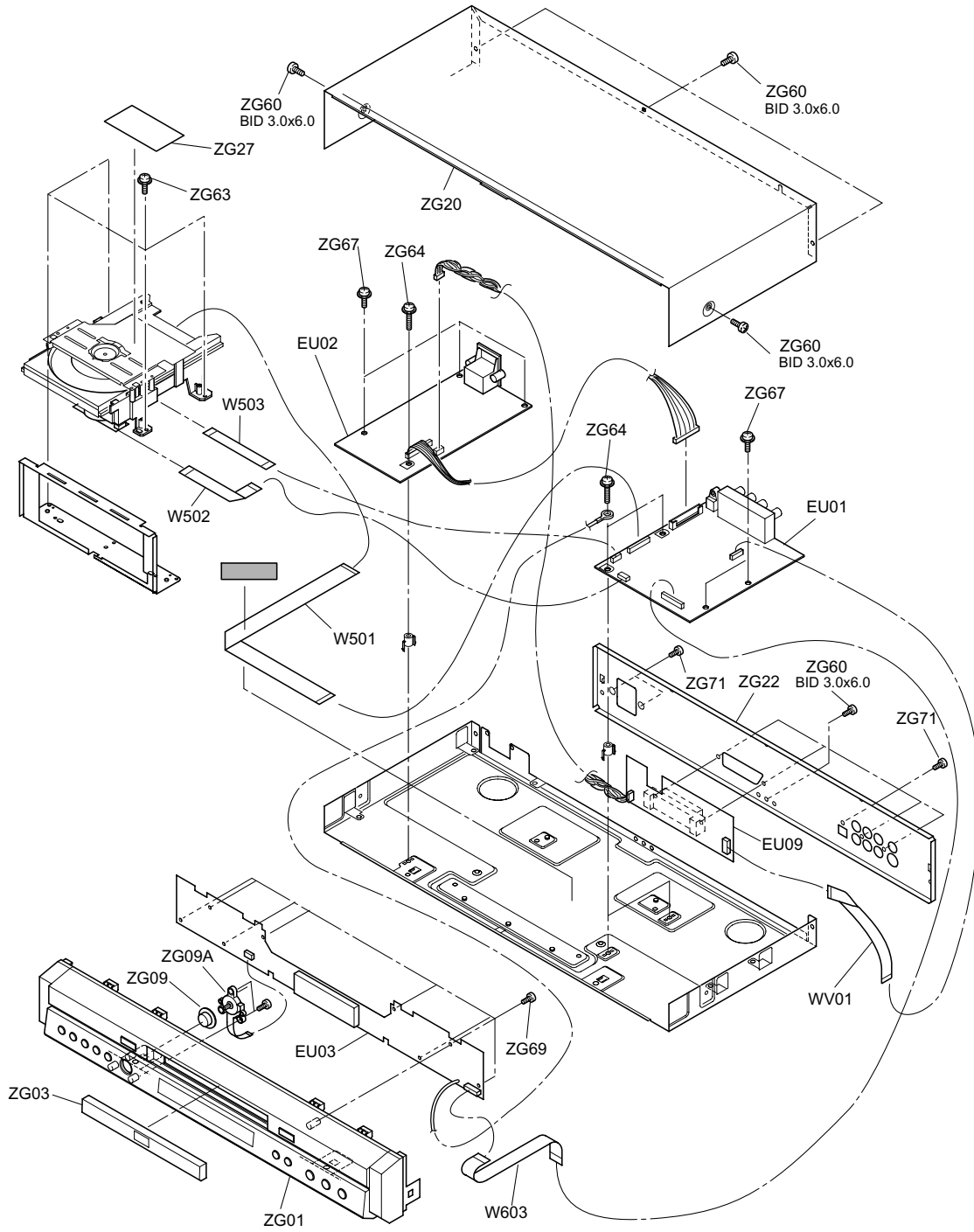


Fig. 4-4-5

4-6. Chassis Assembly (SD-120: Type B)

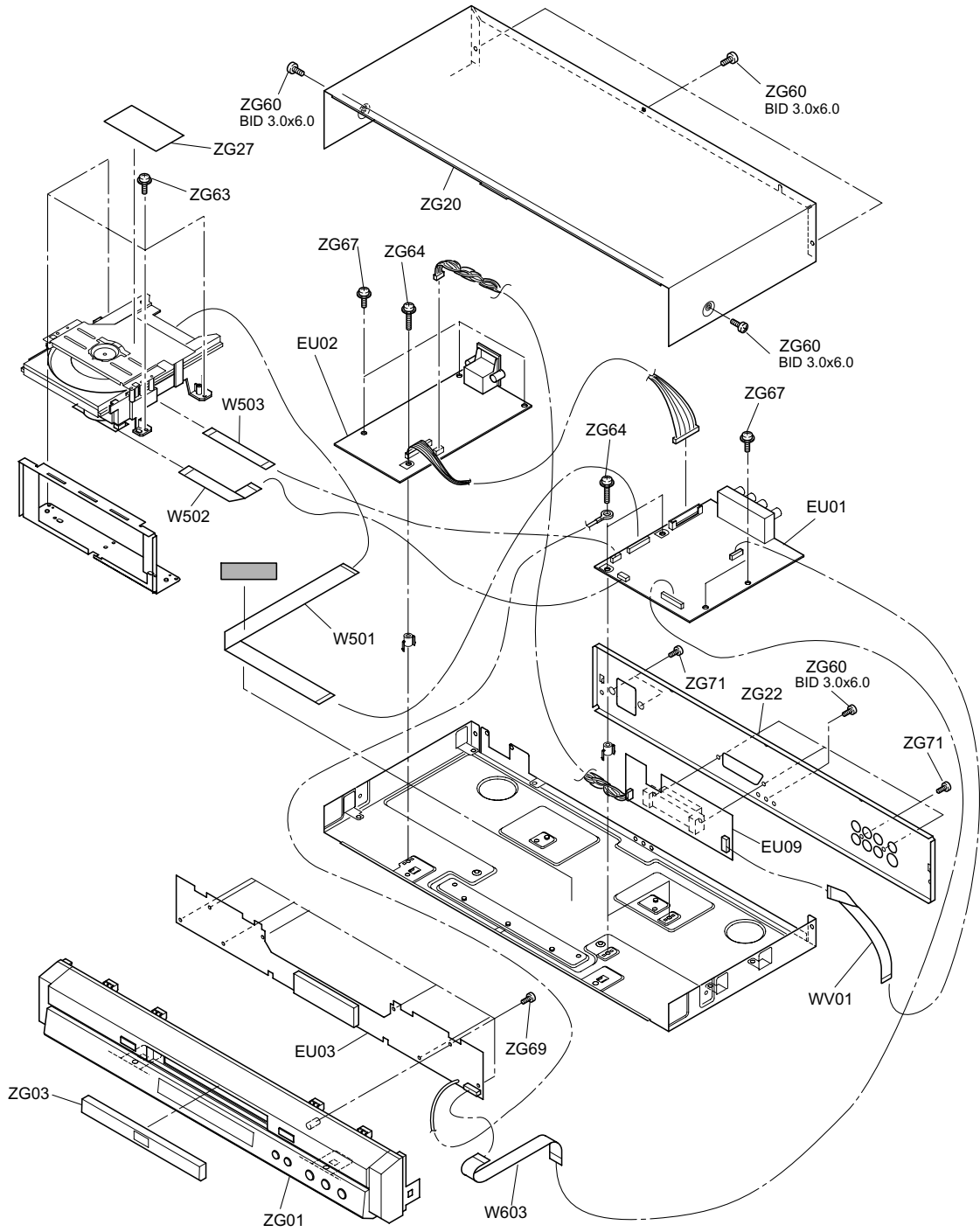


Fig. 4-4-6

4-7. Mechanism Assembly (Type B)

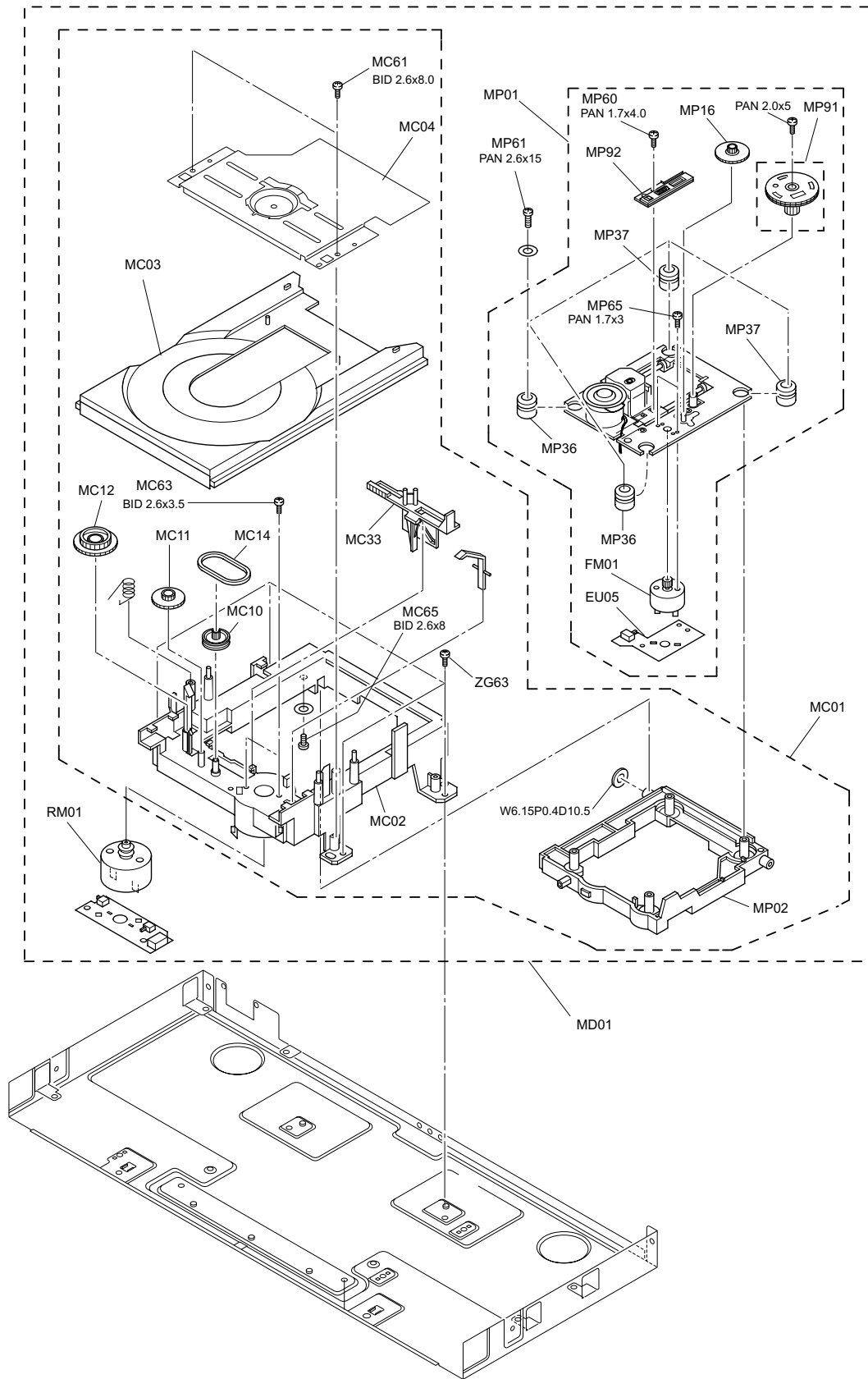


Fig. 4-4-7

5. PARTS LIST

LOCATION PART

NUMBER NUMBER DESCRIPTION

- MECHANICAL PARTS -

!	MD01	79070499	DVD Mechanism	Single/CD-R
	W501	79080273	Cable, Flexible	FFC, 23P, L297
	W502	79080192	Cable, Flexible	FFC, 6P, L110
	W503	79080193	Cable, Flexible	FFC, 8P, L85
	W603	79080190	Cable, Flexible	FFC, 13P, L150
	WV01	79080291	Cable, Flexible	FFC, 11P, L160
	ZF01	79078069	Remote Control Unit	SE-R0049
!	ZF10	79077173	Owners Manual	German/French, SD-220/222EE
!	ZF10	79077174	Owners Manual	Spanish/Italian, SD-220EL
!	ZF10	79077176	Owners Manual	English, SD-220EB
!	ZF10	79077177	Owners Manual	German/French, SD-120EE
!	ZF10	79077178	Owners Manual	Spanish/Italian, SD-120EL
!	ZF10	79077180	Owners Manual	English, SD-120EB
!	ZF11	79077175	Owners Manual	English, SD-220EE/EL, 222EE
!	ZF11	79077179	Owners Manual	English, SD-120EE/EL
	ZF20	79070037	Cable, AV	
!	ZF23	79088009	Power Cord	SD-220, 120EB
!	ZF23	79088010	Power Cord	SD-220, 120EE/EL
	ZG01	79071248	Front Panel (Silver)	, SD-220EE/EB/EL, 222EE
	ZG01	79071249	Front Panel (Black)	, SD-220EE
	ZG01	79071250	Front Panel (Silver)	, SD-120EE/EB/EL
	ZG01	79071251	Front Panel (Black)	, SD-120EE
	ZG03	79071252	Panel, Tray (Silver)	, SD-220, 120/EE/EB/EL, 222EE
	ZG03	79071253	Panel, Tray (Black)	, SD-220, 120EE
	ZG09	79071254	Kye, Cursor (Silver)	, SD-220EE/EB/EL, 222EE
	ZG09	79071255	Kye, Cursor (Black)	, SD-220EE
	ZG09A	79089157	Switch, Tact	RDSY0010
	ZG20	79073095	Cover, Top (Black)	SD-220, 120EE
	ZG20	79073096	Cover, Top (Silver)	SD-220, 120EE/EB/EL, 222EE
!	ZG27	79070469	Label, Caution	
	ZZ03	79080074	Kit, Data Update	

LOCATION NUMBER	PART NUMBER	DESCRIPTION		LOCATION NUMBER	PART NUMBER	DESCRIPTION	
		- ELECTRICAL PARTS -					
				Q829	79050040	Transistor	2SA1048-Y
				Q830	79050008	Transistor	RN1201
						- DIODES -	
				! D803	79060087	Diode	S1WB (A) 60
EU01	79083116	PC Board Assy	Main,SD-220	! D805	79060009	Diode	RU-1P
EU01	79083117	PC Board Assy	Main,SD-120	D806	79060013	Diode	AG01
		- INTEGRATED CIRCUITS -		D807	79060080	Diode	AK06
IC301	79040326	IC	ZR36732	D808	79060029	Diode,Zener	6.8V
IC302	79040362	IC	MM1561KFB	D821	79060071	Diode	HER152G
IC304	79040363	IC	MM1567AJBE	D822	79060017	Diode	RU4Z
IC305	79040163	IC	MT48LC1M16A1TG	D823	79060089	Diode	HT16G
IC306	79040163	IC	MT48LC1M16A1TG	D824	79060013	Diode	AG01
IC401	79040282	IC	TC94A03F	D825	79060013	Diode	AG01
IC402	79040323	IC	M11B11664A-30T	D826	79060012	Diode	ERA15-02
IC502	79040296	IC	TA1323F	D827	79060012	Diode	ERA15-02
IC503	79040324	IC	BA5813FM-E2	D828	79060012	Diode	ERA15-02
IC530	79040014	IC	TA75S01F	D829	79060012	Diode	ERA15-02
IC601	79040226	IC	S-24C01BFJ-TB-0	D830	79060015	Diode	1SS133
IC602	79040007	IC	TC7S08F	D831	79060007	Diode,Zener	UZ3.0B5B
IC603	79040323	IC	M11B11664A-30T	D832	79060034	Diode,Zener	MTZJT-77-10B
IC604	79040364	IC	PST3545NR	D833	79060034	Diode,Zener	MTZJT-77-10B
IC605	79040322	IC	TMP94C251AF	D834	79060068	Diode,Zener	MTZJT-77-8.2B
IC606	79040153	IC	MBM29F800BA55TN	D835	79060004	Diode,Zener	UZ5.1BSB
IC608	79040007	IC	TC7S08F	D836	79060005	Diode,Zener	UZ11BSB
IC611	79040007	IC	TC7S08F	D837	79060005	Diode,Zener	UZ11BSB
IC901	79040106	IC	TC7SU04F	D838	79060012	Diode	ERA15-02
IC902	79040107	IC	TC7WU04F	D839	79060012	Diode	ERA15-02
IC903	79040249	IC	TC7SH08FU			- CAPACITORS -	
IC912	79040044	IC	NJM4580E	! C801	79020196	Cap,Film	0.22MF M 275V
* IC914	79089024	Terminal,Optical	TOTX178	! C802	79020198	Cap,Film	10000pF M 275V
IC915	79040365	IC	AD1958YRS	! C803	79020028	Cap,Ceramic	470pF Z 250V
				! C804	79020028	Cap,Ceramic	470pF Z 250V
				! C811	79020193	Cap,Ceramic	220pF K 250V
						- TRANSISTORS -	
Q301	79050019	Transistor,Chip	2SA1182				
Q302	79050018	Transistor,Chip	2SA1162				
Q303	79050018	Transistor,Chip	2SA1162	R801	79030055	Res,Oxide Metal	1Mohm J 1/2W
Q304	79050016	Transistor,Chip	2SC2712			- MISCELLANEOUS -	
Q306	79050018	Transistor,Chip	2SA1162	! F801	79087012	Fuse	1.6A,250V
Q307	79050018	Transistor,Chip	2SA1162	! P802	79089029	Jack	AC Inlet
Q401	79050085	Transistor,Chip	2SC3326-B	! RF835	79030015	Res,Fusible	2.2ohm J 1/4W
Q501	79050015	Transistor,Chip	HN1B01F	! T801	79080006	Line Filter	253Y0R7
Q502	79050015	Transistor,Chip	HN1B01F	! T802	79010026	Power Transformer	SRW3020ED5-210
Q503	79050079	Transistor,Chip	2SA1213-Y				
Q504	79050043	Transistor,Chip	RN1402	EU03	-----	PC Board Assy	Front
Q505	79050014	Transistor,Chip	HN1C03F			- INTEGRATED CIRCUITS -	
Q530	79050085	Transistor,Chip	2SC3326-B	IC101	79040366	IC	TMP86CK74AFG-3KBE
Q601	79050031	Transistor,Chip	DTA114EKA			- TRANSISTORS -	
Q602	79050031	Transistor,Chip	DTA114EKA	Q181	79050086	Transistor,Chip	RN2202
Q603	79050001	Transistor,Chip	RN2402	Q182	79050086	Transistor,Chip	RN2202
Q604	79050043	Transistor,Chip	RN1402			- DIODES -	
Q901	79050001	Transistor,Chip	RN2402	D181	79060033	Diode,LED	
Q902	79050043	Transistor,Chip	RN1402			- MISCELLANEOUS -	
Q903	79050001	Transistor,Chip	RN2402	A101	79089167	Display,FL	8-BT-230GNK
Q904	79050001	Transistor,Chip	RN2402	MT101	79089146	Module,RMT	GPIU2261XK
Q906	79050001	Transistor,Chip	RN2402	S103	79089020	Switch	Push
Q909	79050016	Transistor,Chip	2SC2712	S104	79089020	Switch	Push
Q910	79050014	Transistor,Chip	HN1C03F	S105	79089020	Switch	Push
Q913	79050018	Transistor,Chip	2SA1162	S106	79089020	Switch	Push
Q914	79050043	Transistor,Chip	RN1402	S107	79089020	Switch	Push
QY01	79050043	Transistor,Chip	RN1402	S108	79089020	Switch	Push
				* S110	79089020	Switch	Push
				* S111	79089020	Switch	Push
				* S112	79089020	Switch	Push
				* S117	79089020	Switch	Push
				* S120	79089020	Switch	Push
J301	79089094	Plate,Jack		S181	79089020	Switch	Push
X601	79089022	Oscillator,Ceramic	9.00MHz	X101	79089095	Oscillator,Ceramic	8MHz
X901	79089166	Oscillator,Crystal	27MHz				
				EU09	-----	PC Board Assy	Output-RGB
! EU02	79085098	PC Board Assy	Power			- INTEGRATED CIRCUITS -	
				ICV01	79040363	IC	MM1567AJBE
! Q802	79040327	IC	TA1319AP	ICV02	79040029	IC	TC74HC4053AF
Q821	79040146	IC	TA76431S			- TRANSISTORS -	
				QV01	79050018	Transistor,Chip	2SA1162
! Q801	79050095	Transistor	FS5KM-16A	QV03	79050078	Transistor,Chip	DTC114EKA-T
! Q803	79050044	Photo Coupler	TLP621	QV05	79050031	Transistor,Chip	DTA114EKA
! Q804	79050044	Photo Coupler	TLP621	QV06	79050078	Transistor,Chip	DTC114EKA-T
Q823	79050076	Transistor	2SA1585STP-Q	QV07	79050016	Transistor,Chip	2SC2712
Q824	79050077	Transistor	2SC1740STP-Q	QV08	79050016	Transistor,Chip	2SC2712
Q825	79050005	Transistor	2SC2236-Y	QV09	79050016	Transistor,Chip	2SC2712
Q826	79050005	Transistor	2SC2236-Y	QV10	79050031	Transistor,Chip	DTA114EKA
Q827	79050077	Transistor	2SC1740STP-Q			- MISCELLANEOUS -	
Q828	79050076	Transistor	2SA1585STP-Q	JV01	79089145	Jack,Scart	