

## SECTION 7 EXPLODED VIEWS

**Note:**

- -XX and -X mean standardized parts, so they may have some difference from the original one.
- Items marked "\*" are not stocked since they are seldom required for routine service. Some delay should be anticipated when ordering these items.
- The mechanical parts with no reference number in the exploded views are not supplied.
- Color Indication of Appearance Parts Example:  
 KNOB, BALANCE (WHITE) . . . (RED)  
   ↑  ↑  
   Parts Color Cabinet's Color

- Abbreviation  
 CND : Canadian model

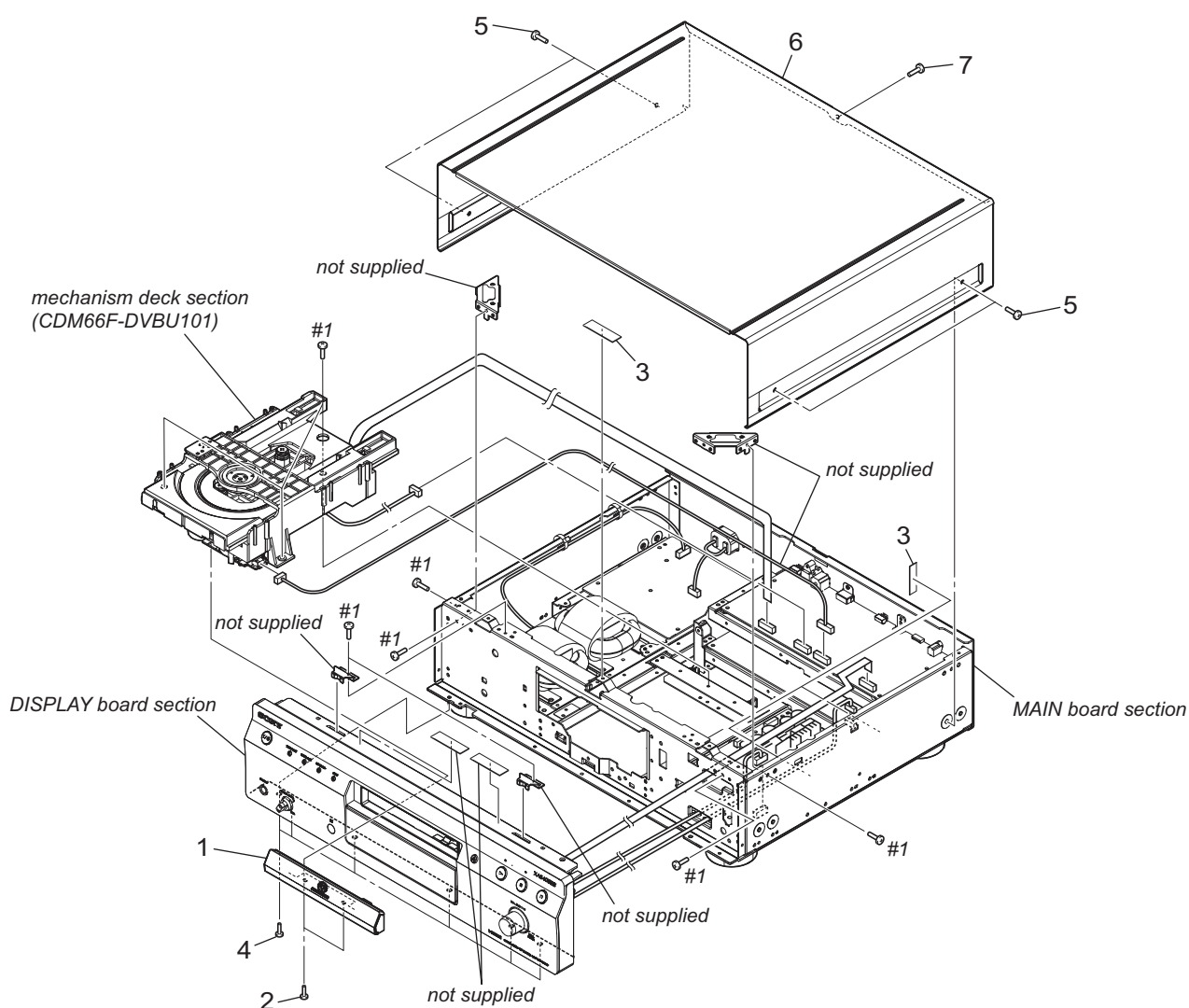
The components identified by mark △ or dotted line with mark △ are critical for safety.  
 Replace only with part number specified.

Les composants identifiés par une marque △ sont critiques pour la sécurité.  
 Ne les remplacer que par une pièce portant le numéro spécifié.

The components identified by mark △ contain confidential information.  
 Strictly follow the instructions whenever the components are repaired and/or replaced.

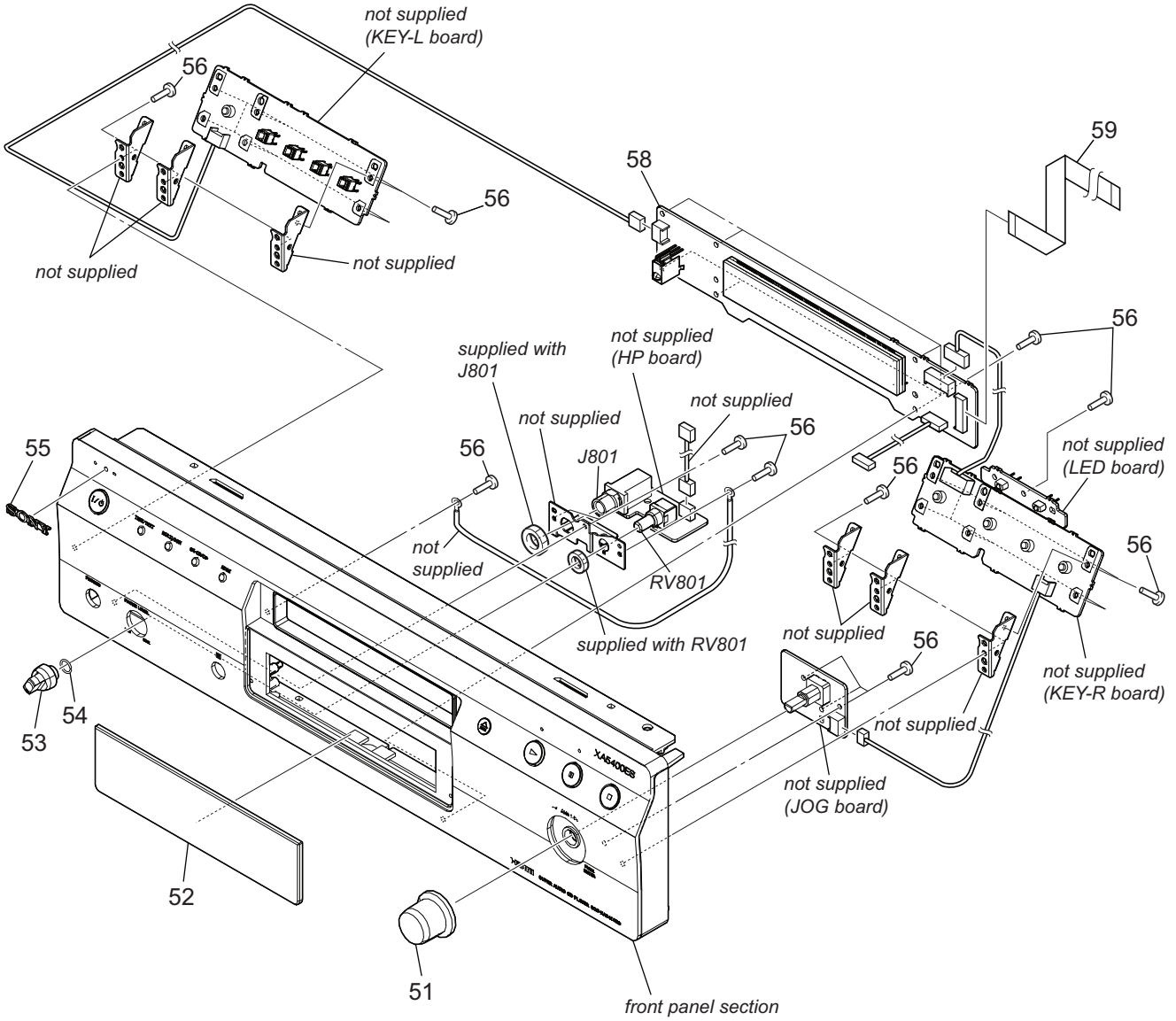
Les composants identifiés par la marque △ contiennent des informations confidentielles.  
 Suivre scrupuleusement les instructions chaque fois qu'un composant est remplacé et / ou réparé.

### 7-1. CASE SECTION



Ref. No.	Part No.	Description	Remark	Ref. No.	Part No.	Description	Remark
1	A-1544-225-A	PANEL ASSY, LOADING		6	4-220-301-32	CASE	
2	3-087-053-01	+BVTP2.6 (3CR)		7	4-227-843-03	SCREW (TP), FLAT HEAD	
3	4-860-518-00	CUSHION		#1	7-685-646-79	SCREW +BVTP 3X8 TYPE2 IT-3	
4	3-704-515-11	SCREW (BV/RING)					
5	2-580-630-01	SCREW, +BVST 4X8					

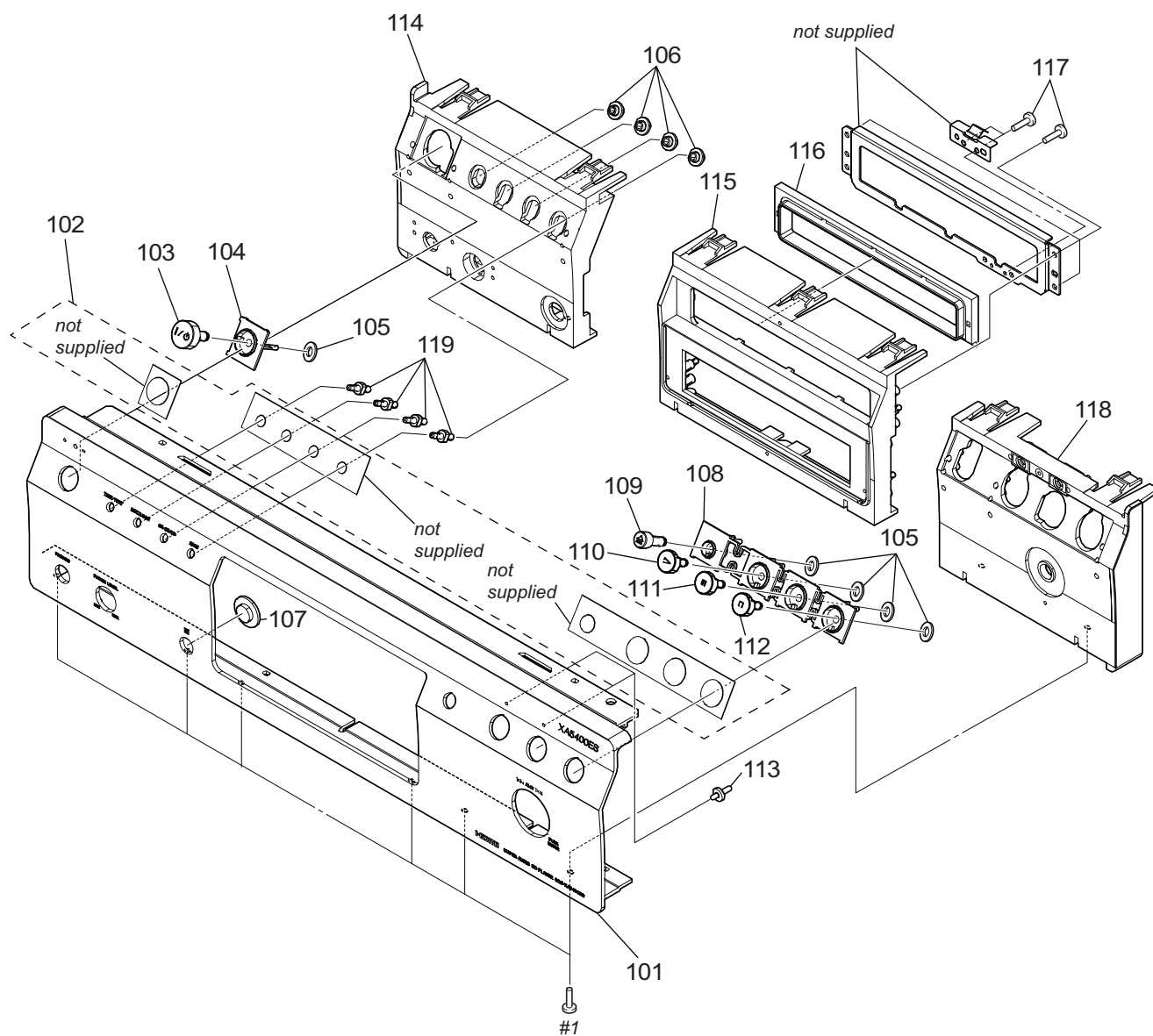
7-2. DISPLAY BOARD SECTION



Note: If wire (flat type) is replaced, install it after bending it in the same form as that before replacement.

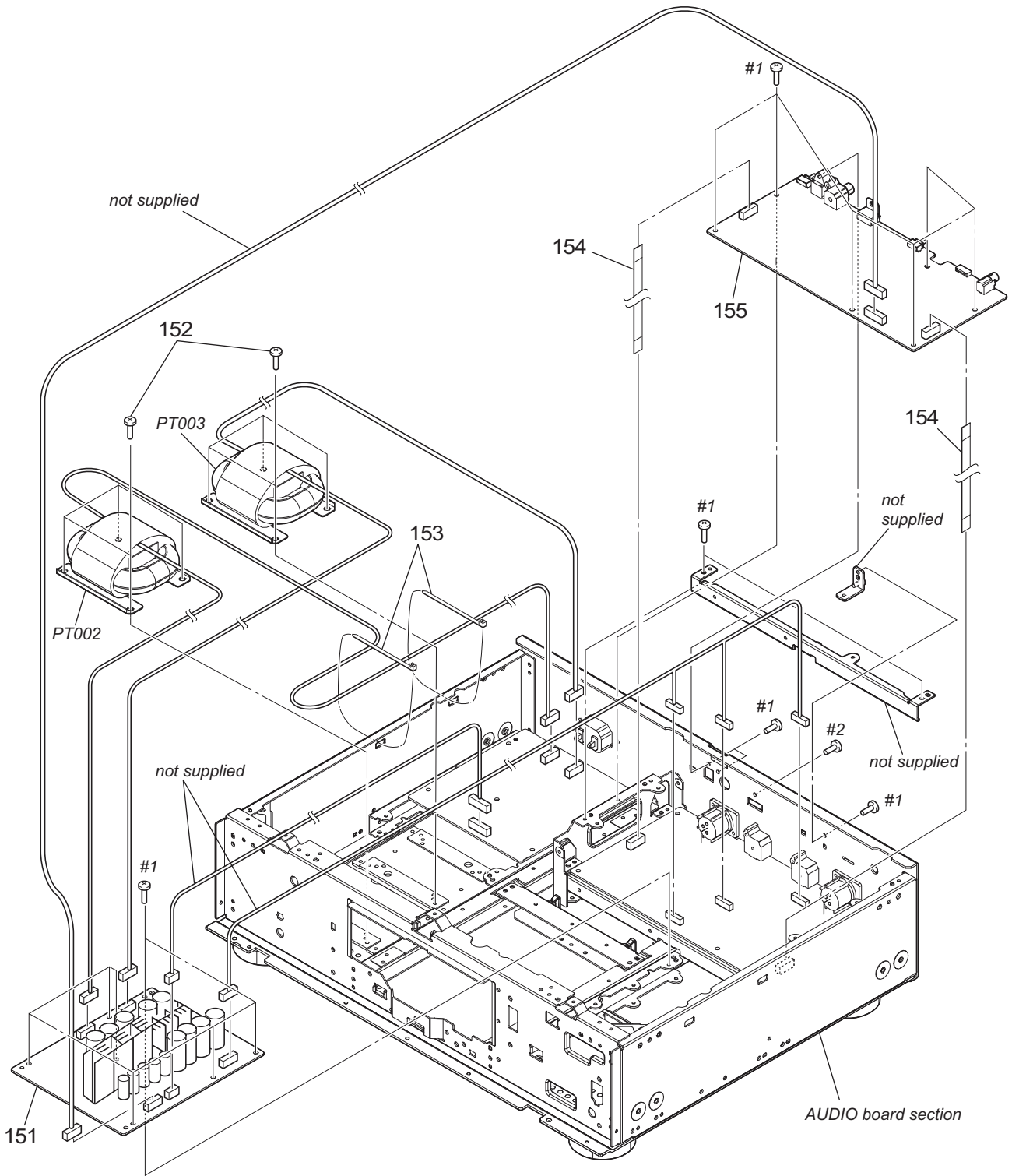
Ref. No.	Part No.	Description	Remark	Ref. No.	Part No.	Description	Remark
51	X-4955-656-2	KNOB (SEL) ASSY		58	A-1544-255-A	DISPLAY BOARD, COMPLETE	
52	3-873-313-01	PLATE, INDICATION		59	1-835-567-51	WIRE (FLAT TYPE) (19 CORE)	
53	4-250-532-01	KNOB (HP-VOL)		J801	1-770-904-11	JACK (LARGE TYPE) (PHONES)	
54	2-893-374-01	SPRING, RING		RV801	1-227-185-11	RES, VAR, CARBON 1K/1K (PHONE LEVEL)	
55	4-942-568-41	EMBLEM (NO.5), SONY					
56	3-087-053-01	+BVTP2.6 (3CR)					

7-3. FRONT PANEL SECTION



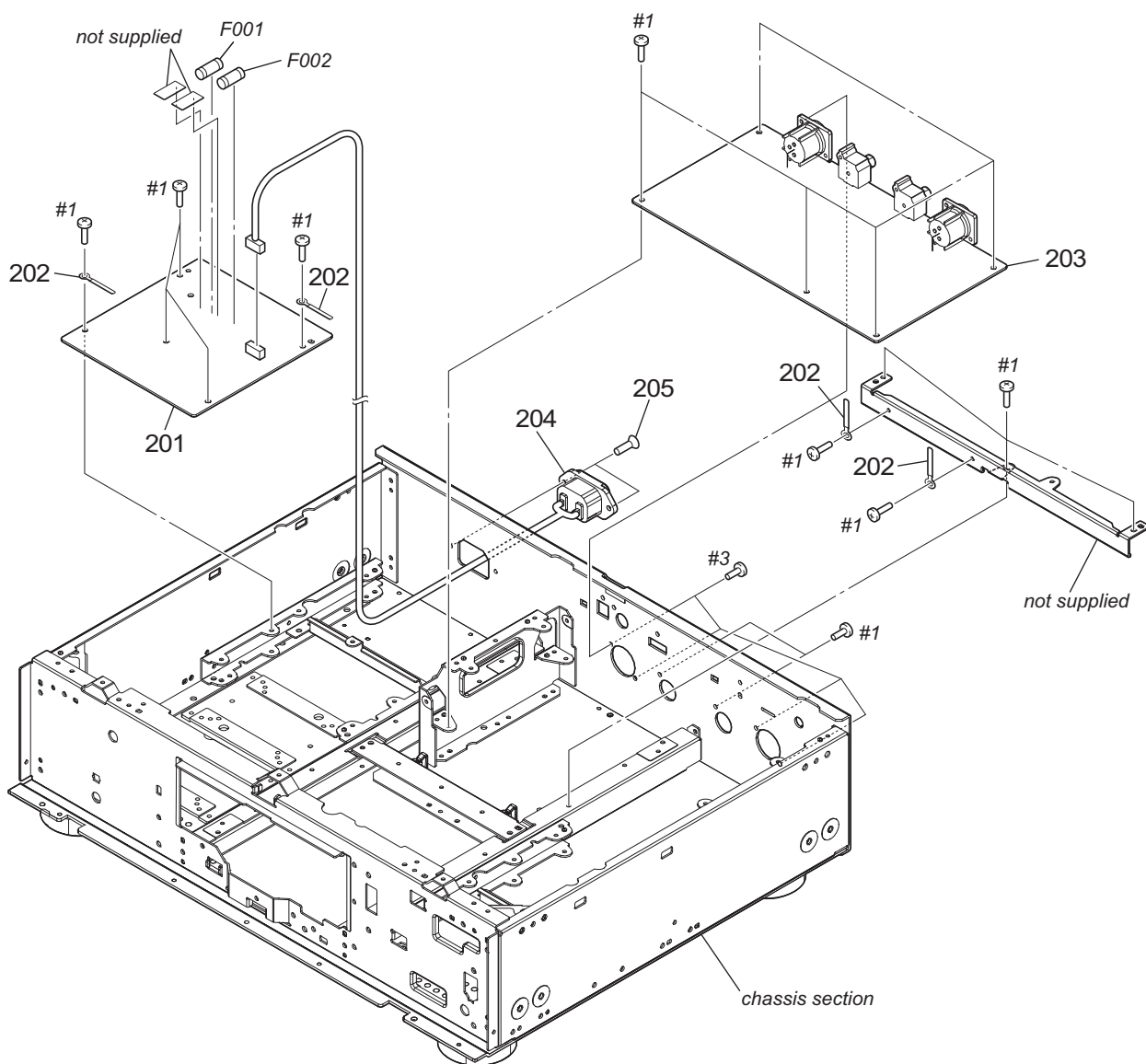
Ref. No.	Part No.	Description	Remark	Ref. No.	Part No.	Description	Remark
101	3-873-309-01	PANEL, FRONT (AEP)		111	4-246-567-31	BUTTON (PLAY) (II)	
101	3-873-309-11	PANEL, FRONT (US, CND)		112	4-246-567-61	BUTTON (PLAY) (■)	
102	4-250-643-01	SHEET (ES-A), ADHESIVE		113	X-4950-462-1	LENS ASSY, LED	
103	4-246-567-91	BUTTON (PLAY) (II)		114	3-873-310-01	BASE (L), PANEL	
104	4-246-563-31	ESCUTCHEON (A)		115	3-873-312-01	BASE (C), PANEL	
105	3-325-697-21	WASHER		116	4-235-619-01	PACKING (LOADING)	
106	4-220-317-01	BUTTON (FILTER)		117	3-087-053-01	+BVTP2.6 (3CR)	
107	4-975-105-01	WINDOW, RAY CATCHER		118	3-873-311-01	BASE (R), PANEL	
108	4-246-563-21	ESCUTCHEON (A)		119	4-220-711-01	INDICATOR (FILTER)	
109	4-246-568-01	BUTTON (OPEN) (≡)		#1	7-685-646-79	SCREW +BVTP 3X8 TYPE2 IT-3	
110	4-246-567-01	BUTTON (PLAY) (▶)					

7-4. MAIN BOARD SECTION



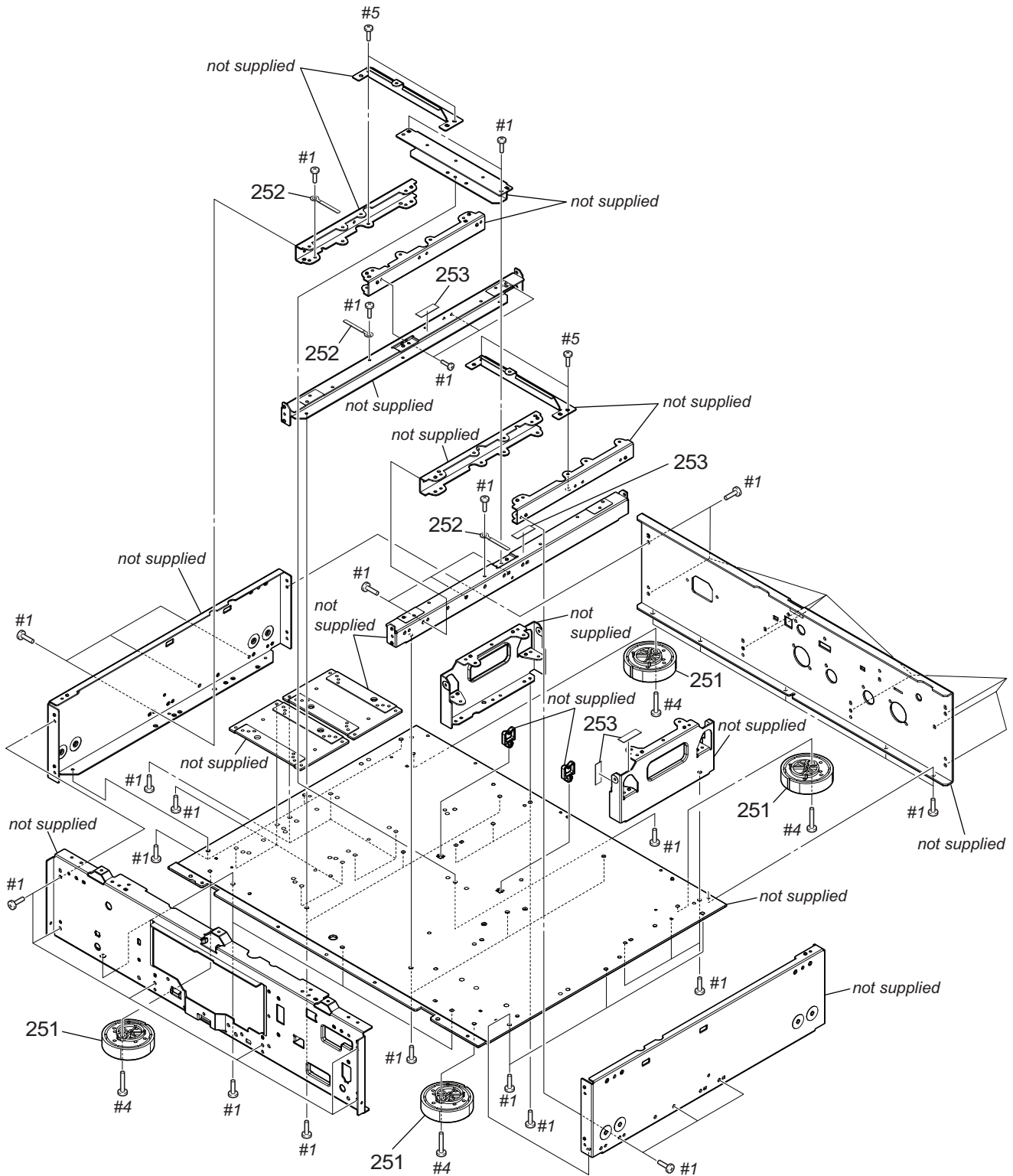
Ref. No.	Part No.	Description	Remark	Ref. No.	Part No.	Description	Remark
151	A-1544-253-A	POWER BOARD, COMPLETE (US, CND)		155	A-1567-313-A	MAIN BOARD, COMPLETE (for SERVICE) (AEP)	
151	A-1560-484-A	POWER BOARD, COMPLETE (AEP)		△ PT002	1-445-487-11	TRANSFORMER, POWER (US, CND)	
152	3-703-249-02	SCREW, S TIGHT, +PTTWH 3X6		△ PT002	1-445-488-11	TRANSFORMER, POWER (AEP)	
153	3-655-653-01	BAND (TAITON), BINDING		△ PT003	1-445-483-11	TRANSFORMER, POWER (US, CND)	
154	1-828-326-51	WIRE (FLAT TYPE) (13 CORE)		△ PT003	1-445-484-11	TRANSFORMER, POWER (AEP)	
155	A-1567-301-A	MAIN BOARD, COMPLETE (for SERVICE)	(US, CND)	#1	7-685-646-79	SCREW +BVTP 3X8 TYPE2 IT-3	
				#2	7-682-547-04	SCREW +B 3X6	

7-5. AUDIO BOARD SECTION



Ref. No.	Part No.	Description	Remark	Ref. No.	Part No.	Description	Remark
201	A-1544-254-A	STANDBY BOARD, COMPLETE (US, CND)		△ F001	1-532-389-33	FUSE (T500mA/250V) (AEP)	
201	A-1544-320-A	STANDBY BOARD, COMPLETE (AEP)		△ F001	1-532-501-33	FUSE (T800mA/250V) (US, CND)	
202	4-237-065-01	CLAMP (L35)		△ F002	1-532-389-33	FUSE (T500mA/250V) (AEP)	
203	A-1544-251-A	AUDIO BOARD, COMPLETE (US, CND)		△ F002	1-532-501-33	FUSE (T800mA/250V) (US, CND)	
203	A-1560-483-A	AUDIO BOARD, COMPLETE (AEP)		#1	7-685-646-79	SCREW +BVTP 3X8 TYPE2 IT-3	
△ 204	1-821-082-41	AC INLET (2P) (～ AC IN)		#3	7-621-770-67	SCREW +B 2.6X6	
205	2-580-644-01	SCREW, +KTP2 3X8					

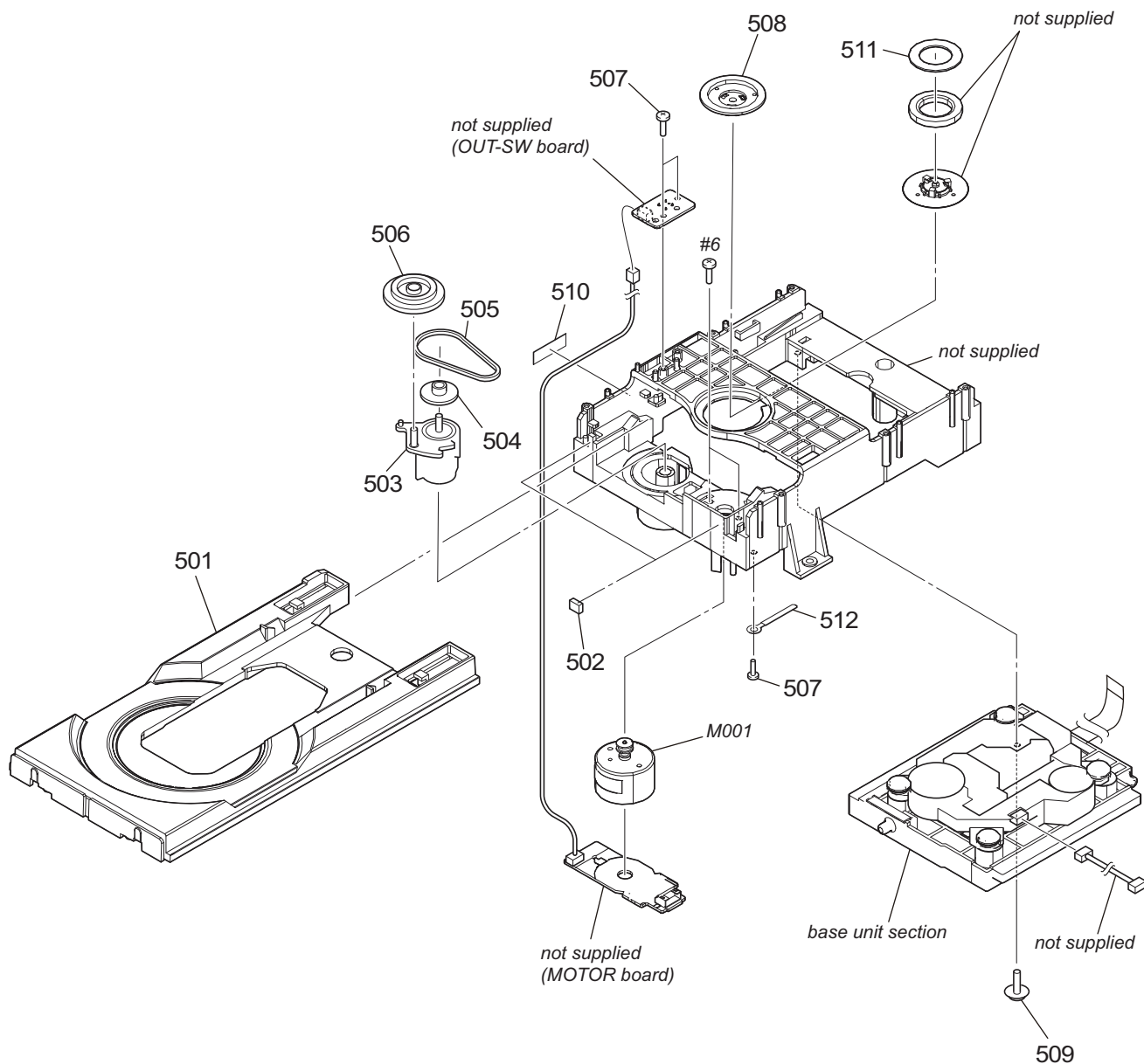
7-6. CHASSIS SECTION



Ref. No.	Part No.	Description	Remark	Ref. No.	Part No.	Description	Remark
251	X-4955-348-1	FOOT ASSY		#4	7-685-885-09	SCREW +BVTT 4X16 (S)	
252	4-237-065-01	CLAMP (L35)		#5	7-685-645-79	SCREW +BVTP 3X6 TYPE2 IT-3	
253	4-860-518-00	CUSHION					
#1	7-685-646-79	SCREW +BVTP 3X8 TYPE2 IT-3					

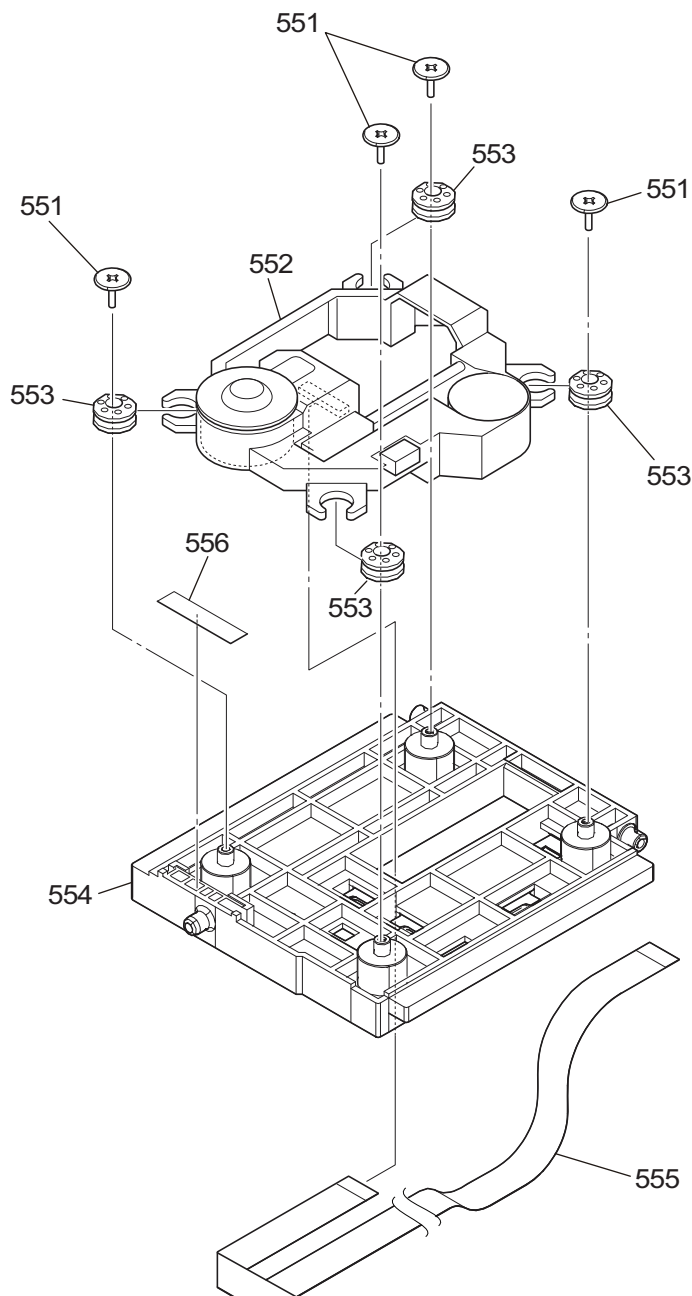


7-7. MECHANISM DECK SECTION  
(CDM66F-DVBU101)



Ref. No.	Part No.	Description	Remark	Ref. No.	Part No.	Description	Remark
501	3-452-881-01	TRAY (66F)		508	3-452-884-01	HOLDER (YOKE)	
502	4-232-682-01	CUSHION (66)		509	4-227-899-31	SCREW (DIA. 12), FROATING	
503	4-232-712-01	CAM (66)		510	4-860-518-00	CUSHION	
504	4-232-710-01	PULLEY (LD)		511	3-452-883-01	YOKE	
505	4-232-713-01	BELT (LD)		512	4-237-065-01	CLAMP (L35)	
506	4-232-711-01	GEAR (LD)		M001	A-4604-363-A	MOTOR (L) ASSY (LOADING)	
507	3-087-053-01	+BVTP2.6 (3CR)		#6	7-621-775-10	SCREW +B 2.6X4	

7-8. BASE UNIT SECTION



**Note:** If wire (flat type) is replaced, install it after bending it in the same form as that before replacement.

Ref. No.	Part No.	Description	Remark	Ref. No.	Part No.	Description	Remark
551	3-087-599-01	INSULATOR SCREW		555	1-835-373-51	WIRE (FLAT TYPE) (24 CORE)	
△ 552	8-820-322-04	OPTICAL PICK-UP BLOCK (KHM-313CAB/C2RP)		556	4-113-450-01	CUSHION (66F)	
553	2-634-618-11	INSULATOR					
554	3-452-882-01	HOLDER (66F)					



## SECTION 8 ELECTRICAL PARTS LIST

AUDIO

**Note:**

- Due to standardization, replacements in the parts list may be different from the parts specified in the diagrams or the components used on the set.
- -XX and -X mean standardized parts, so they may have some difference from the original one.
- Items marked "\*" are not stocked since they are seldom required for routine service. Some delay should be anticipated when ordering these items.
- CAPACITORS  
uF: µF
- COILS  
uH: µH
- RESISTORS  
All resistors are in ohms.  
METAL: Metal-film resistor.  
METAL OXIDE: Metal oxide-film resistor.  
F: nonflammable

- SEMICONDUCTORS  
In each case, µ: µ, for example:  
uA. . : µA. . , uPA. . , µPA. . ,  
uPB. . : µPB. . , uPC. . , µPC. . ,  
uPD. . : µPD. .
- Abbreviation  
CND : Canadian model

When indicating parts by reference number, please include the board name.

The components identified by mark  $\Delta$  or dotted line with mark  $\Delta$  are critical for safety.  
Replace only with part number specified.

Les composants identifiés par une marque  $\Delta$  sont critiques pour la sécurité.  
Ne les remplacer que par une pièce portant le numéro spécifié.

The components identified by mark  $\Delta$  contain confidential information.  
Strictly follow the instructions whenever the components are repaired and/or replaced.

Les composants identifiés par la marque  $\Delta$  contiennent des informations confidentielles.  
Suivre scrupuleusement les instructions chaque fois qu'un composant est remplacé et / ou réparé.

Ref. No.	Part No.	Description	Remark	Ref. No.	Part No.	Description	Remark
	A-1544-251-A	AUDIO BOARD, COMPLETE (US, CND)		C206	1-127-956-21	FILM CHIP	0.1uF 5% 16V
	A-1560-483-A	AUDIO BOARD, COMPLETE (AEP)		C207	1-127-956-21	FILM CHIP	0.1uF 5% 16V
		*****		C208	1-100-388-21	ELECT CHIP	39uF 20% 16V
		< CAPACITOR >		C209	1-100-390-21	ELECT CHIP	180uF 20% 6.3V
C151	1-100-566-91	CERAMIC CHIP	0.1uF 10% 25V	C210	1-127-956-21	FILM CHIP	0.1uF 5% 16V
C152	1-100-566-91	CERAMIC CHIP	0.1uF 10% 25V	C211	1-136-287-11	FILM	0.0047uF 5% 100V
C153	1-162-917-11	CERAMIC CHIP	15PF 5% 50V	C212	1-136-287-11	FILM	0.0047uF 5% 100V
C154	1-162-918-11	CERAMIC CHIP	18PF 5% 50V	C213	1-127-956-21	FILM CHIP	0.1uF 5% 16V
C155	1-162-962-11	CERAMIC CHIP	470PF 10% 50V	C214	1-127-956-21	FILM CHIP	0.1uF 5% 16V
C156	1-100-390-21	ELECT CHIP	180uF 20% 6.3V	C215	1-136-293-11	FILM	0.0082uF 5% 100V
C157	1-100-566-91	CERAMIC CHIP	0.1uF 10% 25V	C216	1-136-480-11	FILM	0.0015uF 5% 100V
C158	1-100-566-91	CERAMIC CHIP	0.1uF 10% 25V	C217	1-136-480-11	FILM	0.0015uF 5% 100V
C159	1-100-388-21	ELECT CHIP	39uF 20% 16V	C218	1-127-956-21	FILM CHIP	0.1uF 5% 16V
C160	1-162-962-11	CERAMIC CHIP	470PF 10% 50V	C219	1-127-956-21	FILM CHIP	0.1uF 5% 16V
C161	1-100-566-91	CERAMIC CHIP	0.1uF 10% 25V	C220	1-114-959-91	ELECT	47uF 20% 100V
C162	1-100-566-91	CERAMIC CHIP	0.1uF 10% 25V	C221	1-127-956-21	FILM CHIP	0.1uF 5% 16V
C163	1-100-390-21	ELECT CHIP	180uF 20% 6.3V	C222	1-137-350-11	FILM	0.015uF 5% 100V
C164	1-127-956-21	FILM CHIP	0.1uF 5% 16V	C223	1-136-480-11	FILM	0.0015uF 5% 100V
C165	1-128-528-11	ELECT	470uF 20% 25V	C224	1-137-350-11	FILM	0.015uF 5% 100V
C166	1-124-699-11	ELECT	220uF 20% 25V	C225	1-136-480-11	FILM	0.0015uF 5% 100V
C167	1-124-699-11	ELECT	220uF 20% 25V	C226	1-127-956-21	FILM CHIP	0.1uF 5% 16V
C168	1-100-566-91	CERAMIC CHIP	0.1uF 10% 25V	C227	1-127-956-21	FILM CHIP	0.1uF 5% 16V
C169	1-162-962-11	CERAMIC CHIP	470PF 10% 50V	C228	1-114-959-91	ELECT	47uF 20% 100V
C170	1-100-566-91	CERAMIC CHIP	0.1uF 10% 25V	C229	1-127-956-21	FILM CHIP	0.1uF 5% 16V
C171	1-100-566-91	CERAMIC CHIP	0.1uF 10% 25V	C230	1-114-959-91	ELECT	47uF 20% 100V
C172	1-100-566-91	CERAMIC CHIP	0.1uF 10% 25V	C231	1-127-956-21	FILM CHIP	0.1uF 5% 16V
C173	1-100-566-91	CERAMIC CHIP	0.1uF 10% 25V	C232	1-163-133-00	CERAMIC CHIP	470PF 5% 50V (AEP)
C174	1-100-566-91	CERAMIC CHIP	0.1uF 10% 25V	C252	1-100-756-91	CERAMIC CHIP	0.047uF 10% 50V
C175	1-162-971-11	CERAMIC CHIP	0.001uF 10% 50V	C254	1-130-471-00	MYLAR	0.001uF 5% 50V
C176	1-162-971-11	CERAMIC CHIP	0.001uF 10% 50V	C255	1-100-388-21	ELECT CHIP	39uF 20% 16V
C177	1-162-971-11	CERAMIC CHIP	0.001uF 10% 50V	C256	1-127-956-21	FILM CHIP	0.1uF 5% 16V
C179	1-100-566-91	CERAMIC CHIP	0.1uF 10% 25V	C261	1-136-287-11	FILM	0.0047uF 5% 100V
C180	1-100-566-91	CERAMIC CHIP	0.1uF 10% 25V	C262	1-136-287-11	FILM	0.0047uF 5% 100V
C181	1-124-779-00	ELECT CHIP	10uF 20% 16V	C263	1-127-956-21	FILM CHIP	0.1uF 5% 16V
C182	1-162-962-11	CERAMIC CHIP	470PF 10% 50V	C264	1-127-956-21	FILM CHIP	0.1uF 5% 16V
C183	1-100-390-21	ELECT CHIP	180uF 20% 6.3V	C265	1-136-293-11	FILM	0.0082uF 5% 100V
C200	1-100-756-91	CERAMIC CHIP	0.047uF 10% 50V	C266	1-136-480-11	FILM	0.0015uF 5% 100V
C201	1-100-756-91	CERAMIC CHIP	0.047uF 10% 50V	C267	1-136-480-11	FILM	0.0015uF 5% 100V
C204	1-130-471-00	MYLAR	0.001uF 5% 50V	C270	1-114-959-91	ELECT	47uF 20% 100V
C205	1-100-388-21	ELECT CHIP	39uF 20% 16V	C271	1-127-956-21	FILM CHIP	0.1uF 5% 16V
				C272	1-137-350-11	FILM	0.015uF 5% 100V

# SCD-XA5400ES

## AUDIO

Ref. No.	Part No.	Description	Remark	Ref. No.	Part No.	Description	Remark
C273	1-136-480-11	FILM	0.0015uF 5%	100V			
C274	1-137-350-11	FILM	0.015uF 5%	100V			
C275	1-136-480-11	FILM	0.0015uF 5%	100V			
C276	1-127-956-21	FILM CHIP	0.1uF 5%	16V			
C277	1-127-956-21	FILM CHIP	0.1uF 5%	16V			
C278	1-114-959-91	ELECT	47uF 20%	100V			
C279	1-127-956-21	FILM CHIP	0.1uF 5%	16V			
C280	1-114-959-91	ELECT	47uF 20%	100V			
C281	1-127-956-21	FILM CHIP	0.1uF 5%	16V			
C282	1-163-133-00	CERAMIC CHIP	470PF 5%	50V (AEP)			
C291	1-127-956-21	FILM CHIP	0.1uF 5%	16V			
C292	1-127-956-21	FILM CHIP	0.1uF 5%	16V			
C293	1-100-756-91	CERAMIC CHIP	0.047uF 10%	50V			
C294	1-112-080-11	ELECT	470uF 20%	10V			
C295	1-112-080-11	ELECT	470uF 20%	10V			
C296	1-112-099-11	ELECT	4.7uF 20%	50V			
C297	1-112-099-11	ELECT	4.7uF 20%	50V			
		< CONNECTOR >					
CN151	1-785-468-41	CONNECTOR, FFC/FPC 13P					
CN152	1-785-468-41	CONNECTOR, FFC/FPC 13P					
* CN154	1-569-974-11	PIN, CONNECTOR (PC BOARD) 3P					
CN155	1-691-766-11	PLUG (MICRO CONNECTOR) 4P					
CN156	1-564-505-11	PLUG, CONNECTOR 2P					
CN291	1-779-978-11	PIN, CONNECTOR 3P					
		< DIODE >					
D201	6-501-817-01	DIODE MA2J1110GLS0					
D202	6-501-817-01	DIODE MA2J1110GLS0					
D252	6-501-817-01	DIODE MA2J1110GLS0					
D291	6-501-817-01	DIODE MA2J1110GLS0					
		< TERMINAL >					
EE151	1-780-318-11	TERMINAL					
EE152	1-780-318-11	TERMINAL					
EE153	1-780-318-11	TERMINAL					
		< FERRITE BEAD >					
FB151	1-469-139-21	FERRITE, EMI (SMD) (2012)					
FB152	1-469-152-11	FERRITE, EMI (SMD) (2012)					
FB153	1-469-152-11	FERRITE, EMI (SMD) (2012)					
		< IC >					
IC151	6-708-071-01	IC FS7140-01G					
IC152	8-759-242-70	IC TC7WU04F					
IC153	6-702-302-01	IC TK11133CSCL-G					
IC154	6-703-227-01	IC TK11131CSCL-G (US, CND)					
IC154	8-759-828-44	IC NJM2870F33 (TE2) (AEP)					
IC155	8-759-083-94	IC TC7W74FU					
IC156	6-700-067-01	IC HD74LV161ATELL					
IC201	8-759-828-44	IC NJM2870F33 (TE2)					
IC202	6-707-503-01	IC DSD1796DBR					
IC203	8-759-566-39	IC OPA2132UA/2K5					
IC204	8-759-566-39	IC OPA2132UA/2K5					
IC205	8-759-447-30	IC NJM2114M-TE2					
IC206	8-759-082-58	IC TC7W08FU					
IC253	8-759-566-39	IC OPA2132UA/2K5					
IC255	8-759-447-30	IC NJM2114M-TE2					
IC291	8-759-700-09	IC NJM2043M-D					
IC292	8-759-592-44	IC TC7SZ04FU (TE85R)					
		< JACK >					
J201	1-818-094-11	JACK, PIN 1P (AUDIO OUT UNBALANCED L)					
J202	1-764-393-11	CONNECTOR (XLR TYPE) 3P (AUDIO OUT BALANCED L)					
J251	1-818-095-11	JACK, PIN 1P (AUDIO OUT UNBALANCED R)					
J252	1-764-393-11	CONNECTOR (XLR TYPE) 3P (AUDIO OUT BALANCED R)					
		< JUMPER RESISTOR/FERRITE BEAD >					
JW150	1-216-295-91	SHORT CHIP 0 (AEP)					
JW150	1-469-670-21	FERRITE, EMI (SMD) (2012) (US, CND)					
		< TRANSISTOR >					
Q151	8-729-027-43	TRANSISTOR DTC114EKA-T146					
Q201	8-729-027-23	TRANSISTOR DTA114EKA-T146					
Q202	8-729-027-23	TRANSISTOR DTA114EKA-T146					
Q203	8-729-027-43	TRANSISTOR DTC114EKA-T146					
Q204	8-729-027-43	TRANSISTOR DTC114EKA-T146					
Q252	8-729-027-23	TRANSISTOR DTA114EKA-T146					
Q253	8-729-027-43	TRANSISTOR DTC114EKA-T146					
Q291	8-729-027-23	TRANSISTOR DTA114EKA-T146					
Q292	8-729-027-43	TRANSISTOR DTC114EKA-T146					
Q293	8-729-027-23	TRANSISTOR DTA114EKA-T146					
		< RESISTOR >					
R150	1-216-801-11	METAL CHIP 22 5%	1/10W				
R151	1-216-811-11	METAL CHIP 150 5%	1/10W				
R152	1-216-801-11	METAL CHIP 22 5%	1/10W				
R153	1-216-815-11	METAL CHIP 330 5%	1/10W				
R154	1-216-857-11	METAL CHIP 1M 5%	1/10W				
R155	1-216-809-11	METAL CHIP 100 5%	1/10W				
R156	1-216-801-11	METAL CHIP 22 5%	1/10W				
R157	1-216-801-11	METAL CHIP 22 5%	1/10W				
R158	1-216-809-11	METAL CHIP 100 5%	1/10W				
R159	1-216-833-11	METAL CHIP 10K 5%	1/10W				
R160	1-216-801-11	METAL CHIP 22 5%	1/10W				
R161	1-216-801-11	METAL CHIP 22 5%	1/10W				
R162	1-216-801-11	METAL CHIP 22 5%	1/10W				
R163	1-216-801-11	METAL CHIP 22 5%	1/10W				
R164	1-216-801-11	METAL CHIP 22 5%	1/10W				
R165	1-216-801-11	METAL CHIP 22 5%	1/10W				
R166	1-216-809-11	METAL CHIP 100 5%	1/10W				
R167	1-216-809-11	METAL CHIP 100 5%	1/10W				
R168	1-216-809-11	METAL CHIP 100 5%	1/10W				
R169	1-216-809-11	METAL CHIP 100 5%	1/10W				
R171	1-216-833-11	METAL CHIP 10K 5%	1/10W				
R173	1-216-833-11	METAL CHIP 10K 5%	1/10W				
R174	1-216-833-11	METAL CHIP 10K 5%	1/10W				
R175	1-216-801-11	METAL CHIP 22 5%	1/10W				
R176	1-216-801-11	METAL CHIP 22 5%	1/10W				
R177	1-216-801-11	METAL CHIP 22 5%	1/10W				
R178	1-216-801-11	METAL CHIP 22 5%	1/10W				
R179	1-216-801-11	METAL CHIP 22 5%	1/10W				
R180	1-216-801-11	METAL CHIP 22 5%	1/10W				
R181	1-216-801-11	METAL CHIP 22 5%	1/10W				
R182	1-216-801-11	METAL CHIP 22 5%	1/10W				
R183	1-216-801-11	METAL CHIP 22 5%	1/10W				
R184	1-216-833-11	METAL CHIP 10K 5%	1/10W				
R185	1-216-833-11	METAL CHIP 10K 5%	1/10W				
R201	1-218-716-11	METAL CHIP 10K 0.5%	1/10W				



# SCD-XA5400ES

**HP** **JOG** **KEY-L** **KEY-R** **LED** **MAIN**

Ref. No.	Part No.	Description	Remark
		< CONNECTOR >	
CN801	1-779-978-11	PIN, CONNECTOR 3P	
		< JACK >	
J801	1-770-904-11	JACK (LARGE TYPE) (PHONES)	
		< FERRITE BEAD >	
L801	1-410-397-21	FERRITE 1.1uH	
L802	1-410-397-21	FERRITE 1.1uH	
L803	1-410-397-21	FERRITE 1.1uH	
		< VARIABLE RESISTOR >	
RV801	1-227-185-11	RES, VAR, CARBON 1K/1K (PHONE LEVEL)	
*****			
		JOG BOARD	
		*****	
		< CAPACITOR >	
C816	1-162-970-11	CERAMIC CHIP 0.01uF 10% 25V	
C817	1-162-970-11	CERAMIC CHIP 0.01uF 10% 25V	
		< CONNECTOR >	
* CN808	1-568-942-11	PIN, CONNECTOR 4P	
		< ROTARY ENCODER >	
S806	1-478-268-11	ENCODER, ROTARY (◀◀ ANS ▶▶▶, PUSH ENTER)	
*****			
		KEY-L BOARD	
		*****	
		< CAPACITOR >	
C805	1-100-566-91	CERAMIC CHIP 0.1uF 10% 25V	
		< TRANSISTOR >	
Q801	8-729-027-43	TRANSISTOR DTC114EKA-T146	
		< RESISTOR >	
R801	1-216-821-11	METAL CHIP 1K 5% 1/10W	
R802	1-216-825-11	METAL CHIP 2.2K 5% 1/10W	
R803	1-216-825-11	METAL CHIP 2.2K 5% 1/10W	
R805	1-216-829-11	METAL CHIP 4.7K 5% 1/10W	
R806	1-216-811-11	METAL CHIP 150 5% 1/10W	
		< SWITCH >	
S801	1-762-875-21	SWITCH, KEYBOARD (I/⌂)	
S802	1-570-969-11	SWITCH, KEY BOARD (TIME/TEXT)	
S803	1-570-969-11	SWITCH, KEY BOARD (MULTI/2CH)	
S804	1-570-969-11	SWITCH, KEY BOARD (SA-CD/CD)	
S805	1-570-101-51	SWITCH, KEY BOARD (HDMI)	
*****			
		KEY-R BOARD	
		*****	
		< TRANSISTOR >	
Q803	8-729-027-43	TRANSISTOR DTC114EKA-T146	
Q804	8-729-027-43	TRANSISTOR DTC114EKA-T146	

Ref. No.	Part No.	Description	Remark
		< RESISTOR >	
R813	1-216-821-11	METAL CHIP 1K 5% 1/10W	
R814	1-216-821-11	METAL CHIP 1K 5% 1/10W	
R815	1-216-825-11	METAL CHIP 2.2K 5% 1/10W	
R816	1-216-811-11	METAL CHIP 150 5% 1/10W	
R817	1-216-813-11	METAL CHIP 220 5% 1/10W	
		< SWITCH >	
S807	1-762-875-21	SWITCH, KEYBOARD (⊕)	
S808	1-762-875-21	SWITCH, KEYBOARD (▶)	
S809	1-762-875-21	SWITCH, KEYBOARD (▣)	
S810	1-762-875-21	SWITCH, KEYBOARD (■)	
*****			
		LED BOARD	
		*****	
		< CAPACITOR >	
C814	1-100-566-91	CERAMIC CHIP 0.1uF 10% 25V	
C815	1-100-566-91	CERAMIC CHIP 0.1uF 10% 25V	
		< LED >	
D802	8-719-046-41	LED SEL5521C-TP15 (▶)	
D803	8-719-046-39	LED SEL5821A-TP15 (▣)	
*****			
Ⓔ	A-1567-301-A	MAIN BOARD, COMPLETE (for SERVICE) (US, CND)	
Ⓔ	A-1567-313-A	MAIN BOARD, COMPLETE (for SERVICE) (AEP) *****	
		< CAPACITOR >	
C501	1-107-826-11	CERAMIC CHIP 0.1uF 10% 16V	
C502	1-107-826-11	CERAMIC CHIP 0.1uF 10% 16V	
C503	1-107-826-11	CERAMIC CHIP 0.1uF 10% 16V	
C507	1-107-826-11	CERAMIC CHIP 0.1uF 10% 16V	
C508	1-107-826-11	CERAMIC CHIP 0.1uF 10% 16V	
C510	1-107-826-11	CERAMIC CHIP 0.1uF 10% 16V	
C515	1-107-826-11	CERAMIC CHIP 0.1uF 10% 16V	
C517	1-107-826-11	CERAMIC CHIP 0.1uF 10% 16V	
C518	1-107-826-11	CERAMIC CHIP 0.1uF 10% 16V	
C520	1-127-715-11	CERAMIC CHIP 0.22uF 10% 16V	
C521	1-162-970-11	CERAMIC CHIP 0.01uF 10% 25V	
C522	1-127-715-11	CERAMIC CHIP 0.22uF 10% 16V	
C523	1-107-826-11	CERAMIC CHIP 0.1uF 10% 16V	
C526	1-104-658-91	ELECT 100uF 20% 10V	
C527	1-104-656-11	ELECT 2200uF 20% 6.3V	
C528	1-126-916-11	ELECT 1000uF 20% 6.3V	
C531	1-107-826-11	CERAMIC CHIP 0.1uF 10% 16V	
C533	1-107-826-11	CERAMIC CHIP 0.1uF 10% 16V	
C538	1-162-964-11	CERAMIC CHIP 0.001uF 10% 50V	
C577	1-162-970-11	CERAMIC CHIP 0.01uF 10% 25V	
C578	1-162-970-11	CERAMIC CHIP 0.01uF 10% 25V	
C579	1-126-933-11	ELECT 100uF 20% 16V	
C580	1-126-933-11	ELECT 100uF 20% 16V	
C581	1-162-970-11	CERAMIC CHIP 0.01uF 10% 25V	
C582	1-107-826-11	CERAMIC CHIP 0.1uF 10% 16V	
C583	1-104-658-91	ELECT 100uF 20% 10V	
C584	1-104-658-91	ELECT 100uF 20% 10V	
C591	1-162-970-11	CERAMIC CHIP 0.01uF 10% 25V	
C592	1-162-970-11	CERAMIC CHIP 0.01uF 10% 25V	

Ref. No.	Part No.	Description			Remark	Ref. No.	Part No.	Description			Remark
C593	1-104-658-91	ELECT	100uF	20%	10V	C1169	1-107-826-11	CERAMIC CHIP	0.1uF	10%	16V
C594	1-104-658-91	ELECT	100uF	20%	10V	C1170	1-162-965-11	CERAMIC CHIP	0.0015uF	10%	50V
C691	1-128-994-21	ELECT CHIP	47uF	20%	10V	C1171	1-107-826-11	CERAMIC CHIP	0.1uF	10%	16V
					(US, CND)	C1172	1-107-826-11	CERAMIC CHIP	0.1uF	10%	16V
C692	1-107-826-11	CERAMIC CHIP	0.1uF	10%	16V	C1174	1-162-970-11	CERAMIC CHIP	0.01uF	10%	25V
					(US, CND)	C1175	1-162-970-11	CERAMIC CHIP	0.01uF	10%	25V
C693	1-126-601-11	ELECT CHIP	2.2uF	20%	50V	C1176	1-162-970-11	CERAMIC CHIP	0.01uF	10%	25V
					(US, CND)	C1177	1-126-925-91	ELECT	470uF	20%	10V
C1101	1-162-970-11	CERAMIC CHIP	0.01uF	10%	25V	C1179	1-107-826-11	CERAMIC CHIP	0.1uF	10%	16V
C1103	1-107-826-11	CERAMIC CHIP	0.1uF	10%	16V	C1180	1-107-826-11	CERAMIC CHIP	0.1uF	10%	16V
C1105	1-128-994-21	ELECT CHIP	47uF	20%	10V	C1181	1-107-826-11	CERAMIC CHIP	0.1uF	10%	16V
C1106	1-162-970-11	CERAMIC CHIP	0.01uF	10%	25V	C1182	1-127-715-11	CERAMIC CHIP	0.22uF	10%	16V
C1108	1-107-826-11	CERAMIC CHIP	0.1uF	10%	16V	C1183	1-128-934-11	CERAMIC CHIP	0.33uF	20%	10V
C1109	1-107-826-11	CERAMIC CHIP	0.1uF	10%	16V	C1184	1-162-970-11	CERAMIC CHIP	0.01uF	10%	25V
C1110	1-165-908-11	CERAMIC CHIP	1uF	10%	10V	C1186	1-127-715-11	CERAMIC CHIP	0.22uF	10%	16V
C1111	1-100-390-21	ELECT CHIP	180uF	20%	6.3V	C1187	1-100-390-21	ELECT CHIP	180uF	20%	6.3V
C1112	1-128-994-21	ELECT CHIP	47uF	20%	10V	C1190	1-100-390-21	ELECT CHIP	180uF	20%	6.3V
C1113	1-162-970-11	CERAMIC CHIP	0.01uF	10%	25V	C1191	1-107-826-11	CERAMIC CHIP	0.1uF	10%	16V
C1114	1-107-826-11	CERAMIC CHIP	0.1uF	10%	16V	C1192	1-162-970-11	CERAMIC CHIP	0.01uF	10%	25V
C1115	1-107-826-11	CERAMIC CHIP	0.1uF	10%	16V	C1193	1-127-715-11	CERAMIC CHIP	0.22uF	10%	16V
C1116	1-107-826-11	CERAMIC CHIP	0.1uF	10%	16V	C1195	1-127-715-11	CERAMIC CHIP	0.22uF	10%	16V
C1117	1-128-994-21	ELECT CHIP	47uF	20%	10V	C1197	1-107-826-11	CERAMIC CHIP	0.1uF	10%	16V
C1118	1-128-994-21	ELECT CHIP	47uF	20%	10V	C1198	1-165-908-11	CERAMIC CHIP	1uF	10%	10V
C1119	1-128-994-21	ELECT CHIP	47uF	20%	10V	C1199	1-162-968-11	CERAMIC CHIP	0.0047uF	10%	50V
C1120	1-165-908-11	CERAMIC CHIP	1uF	10%	10V	C1203	1-162-970-11	CERAMIC CHIP	0.01uF	10%	25V
C1121	1-165-908-11	CERAMIC CHIP	1uF	10%	10V	C1205	1-164-230-11	CERAMIC CHIP	220PF	5%	50V
C1122	1-165-908-11	CERAMIC CHIP	1uF	10%	10V	C1206	1-164-230-11	CERAMIC CHIP	220PF	5%	50V
C1123	1-165-908-11	CERAMIC CHIP	1uF	10%	10V	C1208	1-162-970-11	CERAMIC CHIP	0.01uF	10%	25V
C1124	1-165-908-11	CERAMIC CHIP	1uF	10%	10V	C1209	1-164-677-11	CERAMIC CHIP	0.033uF	10%	16V
C1125	1-107-826-11	CERAMIC CHIP	0.1uF	10%	16V	C1210	1-162-970-11	CERAMIC CHIP	0.01uF	10%	25V
C1126	1-107-826-11	CERAMIC CHIP	0.1uF	10%	16V	C1211	1-164-677-11	CERAMIC CHIP	0.033uF	10%	16V
C1127	1-162-970-11	CERAMIC CHIP	0.01uF	10%	25V	C1212	1-162-970-11	CERAMIC CHIP	0.01uF	10%	25V
C1129	1-165-989-11	CERAMIC CHIP	10uF	10%	6.3V	C1213	1-162-970-11	CERAMIC CHIP	0.01uF	10%	25V
C1130	1-107-826-11	CERAMIC CHIP	0.1uF	10%	16V	C1214	1-162-964-11	CERAMIC CHIP	0.001uF	10%	50V
C1132	1-107-826-11	CERAMIC CHIP	0.1uF	10%	16V	C1215	1-162-970-11	CERAMIC CHIP	0.01uF	10%	25V
C1133	1-107-826-11	CERAMIC CHIP	0.1uF	10%	16V	C1217	1-126-204-11	ELECT CHIP	47uF	20%	16V
C1135	1-164-677-11	CERAMIC CHIP	0.033uF	10%	16V	C1218	1-124-779-00	ELECT CHIP	10uF	20%	16V
C1136	1-162-970-11	CERAMIC CHIP	0.01uF	10%	25V	C1219	1-162-970-11	CERAMIC CHIP	0.01uF	10%	25V
C1137	1-107-826-11	CERAMIC CHIP	0.1uF	10%	16V	C1220	1-124-779-00	ELECT CHIP	10uF	20%	16V
C1138	1-162-964-11	CERAMIC CHIP	0.001uF	10%	50V	C1221	1-107-826-11	CERAMIC CHIP	0.1uF	10%	16V
C1139	1-162-919-11	CERAMIC CHIP	22PF	5%	50V	C1222	1-107-826-11	CERAMIC CHIP	0.1uF	10%	16V
C1140	1-107-826-11	CERAMIC CHIP	0.1uF	10%	16V	C1223	1-107-826-11	CERAMIC CHIP	0.1uF	10%	16V
C1144	1-162-970-11	CERAMIC CHIP	0.01uF	10%	25V	C1224	1-162-970-11	CERAMIC CHIP	0.01uF	10%	25V
C1145	1-124-779-00	ELECT CHIP	10uF	20%	16V	C1225	1-162-964-11	CERAMIC CHIP	0.001uF	10%	50V
C1146	1-107-826-11	CERAMIC CHIP	0.1uF	10%	16V	C1226	1-162-964-11	CERAMIC CHIP	0.001uF	10%	50V
C1147	1-165-176-11	CERAMIC CHIP	0.047uF	10%	16V	C1233	1-162-968-11	CERAMIC CHIP	0.0047uF	10%	50V
C1148	1-165-176-11	CERAMIC CHIP	0.047uF	10%	16V	C1701	1-162-923-11	CERAMIC CHIP	47PF	5%	50V
C1149	1-107-826-11	CERAMIC CHIP	0.1uF	10%	16V	C1702	1-165-908-11	CERAMIC CHIP	1uF	10%	10V
C1151	1-162-964-11	CERAMIC CHIP	0.001uF	10%	50V	C1703	1-127-956-21	FILM CHIP	0.1uF	5%	16V
C1154	1-107-826-11	CERAMIC CHIP	0.1uF	10%	16V	C1704	1-127-956-21	FILM CHIP	0.1uF	5%	16V
C1155	1-162-970-11	CERAMIC CHIP	0.01uF	10%	25V	C1705	1-127-956-21	FILM CHIP	0.1uF	5%	16V
C1156	1-162-970-11	CERAMIC CHIP	0.01uF	10%	25V	C1706	1-100-390-21	ELECT CHIP	180uF	20%	6.3V
C1158	1-162-970-11	CERAMIC CHIP	0.01uF	10%	25V	C1725	1-162-970-11	CERAMIC CHIP	0.01uF	10%	25V
C1159	1-107-826-11	CERAMIC CHIP	0.1uF	10%	16V	C1727	1-162-970-11	CERAMIC CHIP	0.01uF	10%	25V
C1160	1-162-970-11	CERAMIC CHIP	0.01uF	10%	25V	C1728	1-128-994-21	ELECT CHIP	47uF	20%	10V
C1161	1-162-970-11	CERAMIC CHIP	0.01uF	10%	25V	C1729	1-127-715-11	CERAMIC CHIP	0.22uF	10%	16V
C1162	1-162-970-11	CERAMIC CHIP	0.01uF	10%	25V	C1730	1-127-715-11	CERAMIC CHIP	0.22uF	10%	16V
C1163	1-162-970-11	CERAMIC CHIP	0.01uF	10%	25V	C1801	1-162-923-11	CERAMIC CHIP	47PF	5%	50V
C1164	1-162-970-11	CERAMIC CHIP	0.01uF	10%	25V	C1802	1-162-923-11	CERAMIC CHIP	47PF	5%	50V
C1165	1-107-826-11	CERAMIC CHIP	0.1uF	10%	16V	C2100	1-162-970-11	CERAMIC CHIP	0.01uF	10%	25V



# SCD-XA5400ES

## MAIN

Ref. No.	Part No.	Description	Remark	Ref. No.	Part No.	Description	Remark
C2108	1-127-760-11	CERAMIC CHIP 4.7uF	10%	6.3V			
C2109	1-126-916-11	ELECT 1000uF	20%	6.3V		< IC >	
C2110	1-126-916-11	ELECT 1000uF	20%	6.3V			
C2114	1-107-826-11	CERAMIC CHIP 0.1uF	10%	16V	IC501	A-1567-243-A	IC R5F3640DDFAR (for SERVICE)
C2115	1-165-989-11	CERAMIC CHIP 10uF	10%	6.3V	IC503	6-708-922-01	IC PST3635NR
C2116	1-107-826-11	CERAMIC CHIP 0.1uF	10%	16V	IC504	6-712-613-01	IC SI-3010KM-TLS
C2117	1-165-989-11	CERAMIC CHIP 10uF	10%	6.3V	IC505	6-712-613-01	IC SI-3010KM-TLS
C2118	1-107-826-11	CERAMIC CHIP 0.1uF	10%	16V	IC506	6-712-613-01	IC SI-3010KM-TLS
C2119	1-162-964-11	CERAMIC CHIP 0.001uF	10%	50V	IC692	8-759-675-54	IC TC7W53FK (TE85R) (US, CND)
C2130	1-162-970-11	CERAMIC CHIP 0.01uF	10%	25V	IC693	6-600-349-21	IC NJL23H400A (US, CND)
C2502	1-164-172-11	CERAMIC CHIP 0.0056uF	10%	25V	IC1101	6-711-953-01	IC CXD9927R
C2503	1-127-760-11	CERAMIC CHIP 4.7uF	10%	6.3V	IC1102	6-808-529-01	IC S29AL032D70TF-SCD-0802
C9972	1-107-826-11	CERAMIC CHIP 0.1uF	10%	16V	IC1103	(Not supplied)	IC S-24CS64A01-J8T1G
		< CONNECTOR >			IC1104	6-707-897-01	IC EDS6416AHTA-75-E
CN501	1-785-468-41	CONNECTOR, FFC/FPC 13P			IC1105	6-702-302-01	IC TK11133CSCL-G
CN502	1-820-117-41	CONNECTOR, FFC/FPC 19P			IC1107	6-702-302-01	IC TK11133CSCL-G
CN504	1-817-199-51	CONNECTOR, FFC/FPC 9P			IC1110	6-707-739-01	IC MM1661JTRE
* CN506	1-691-772-11	PLUG (MICRO CONNECTOR) 10P			IC1201	6-704-524-01	IC FAN8036L
CN1101	1-815-763-32	CONNECTOR, FFC/FPC 24P			IC1701	6-600-461-11	IC TOTX147L (R) (DIGITAL OUT(CD) OPTICAL)
* CN1105	1-564-708-11	PIN, CONNECTOR (SMALL TYPE) 6P			IC1702	8-759-058-62	IC TC7S08FU (TE85R)
CN1110	1-785-468-41	CONNECTOR, FFC/FPC 13P			IC1703	8-759-058-62	IC TC7S08FU (TE85R)
CN1201	1-779-977-11	PIN, CONNECTOR 6P			IC1705	8-759-592-47	IC TC7SZ08FU (TE85R)
CN1202	1-784-922-11	PIN, CONNECTOR 5P			IC1707	6-705-337-01	IC TK11150CSCL-G
CN1701	1-820-735-31	HDMI CONNECTOR (HDMI OUT)			IC1901	6-700-596-01	IC TC74LVX4053FT (EL)
CN1801	1-779-978-11	PIN, CONNECTOR 3P					< JACK >
		< DIODE >			J691	1-563-330-31	JACK (IR REMOTE IN) (US, CND)
D501	6-501-817-01	DIODE MA2J1110GLS0			J1701	1-818-300-11	JACK, PIN 1P (DIGITAL OUT(CD) COAXIAL)
D502	6-500-334-01	DIODE MC2836-T112-1					< COIL >
D505	6-500-334-01	DIODE MC2836-T112-1			* L1701	1-813-308-11	COMMON MODE CHOKE
D691	6-501-817-01	DIODE MA2J1110GLS0 (US, CND)			* L1702	1-813-308-11	COMMON MODE CHOKE
D692	8-719-075-86	DIODE SID307BRT19 (US, CND)			* L1703	1-813-308-11	COMMON MODE CHOKE
D693	6-501-817-01	DIODE MA2J1110GLS0 (US, CND)			* L1704	1-813-308-11	COMMON MODE CHOKE
D1801	6-501-817-01	DIODE MA2J1110GLS0			L1705	1-416-701-11	COIL (WITH CORE)
D1802	6-501-817-01	DIODE MA2J1110GLS0			L1801	1-410-997-42	INDUCTOR 2.2uH
D9712	6-501-817-01	DIODE MA2J1110GLS0					< TRANSISTOR >
		< GROUND TERMINAL >			Q503	8-729-620-07	TRANSISTOR 2SC3052EF-T1-LEF
EB501	1-537-770-21	TERMINAL BOARD, GROUND			Q1101	6-550-008-01	TRANSISTOR UM6K1N-TN
EB502	1-537-770-21	TERMINAL BOARD, GROUND			Q1102	6-550-653-01	TRANSISTOR QST8TR
EB503	1-780-318-11	TERMINAL			Q1103	8-729-027-52	TRANSISTOR DTC124EKA-T146
		< FERRITE BEAD >			Q1105	8-729-028-27	FET 2SK2009 (TE85L)
FB505	1-469-324-21	FERRITE, EMI (SMD) (2012)			Q1701	6-550-008-01	TRANSISTOR UM6K1N-TN
FB508	1-469-324-21	FERRITE, EMI (SMD) (2012)			Q9724	6-551-699-01	TRANSISTOR ISA1602AM1TP-1EF
FB510	1-469-324-21	FERRITE, EMI (SMD) (2012)			Q9726	8-729-620-13	TRANSISTOR 2SC4154TP-1EF
FB1106	1-469-324-21	FERRITE, EMI (SMD) (2012)			Q9728	8-729-620-13	TRANSISTOR 2SC4154TP-1EF
FB1107	1-469-324-21	FERRITE, EMI (SMD) (2012)			Q9729	8-729-027-43	TRANSISTOR DTC114EKA-T146
		< RESISTOR >					< RESISTOR >
FB1108	1-469-324-21	FERRITE, EMI (SMD) (2012)			R501	1-216-857-11	METAL CHIP 1M 5% 1/10W
FB1109	1-469-324-21	FERRITE, EMI (SMD) (2012)			R504	1-216-833-11	METAL CHIP 10K 5% 1/10W
FB1111	1-469-670-21	FERRITE, EMI (SMD) (2012)			R506	1-216-833-11	METAL CHIP 10K 5% 1/10W
FB1112	1-469-670-21	FERRITE, EMI (SMD) (2012)			R508	1-216-864-11	SHORT CHIP 0 (AEP)
FB1113	1-469-670-21	FERRITE, EMI (SMD) (2012)			R509	1-216-809-11	METAL CHIP 100 5% 1/10W
FB1115	1-469-670-21	FERRITE, EMI (SMD) (2012)			R510	1-216-833-11	METAL CHIP 10K 5% 1/10W
FB1116	1-469-670-21	FERRITE, EMI (SMD) (2012)			R511	1-216-821-11	METAL CHIP 1K 5% 1/10W
FB1117	1-469-670-21	FERRITE, EMI (SMD) (2012)			R512	1-216-833-11	METAL CHIP 10K 5% 1/10W
FB1118	1-469-670-21	FERRITE, EMI (SMD) (2012)			R513	1-216-821-11	METAL CHIP 1K 5% 1/10W
FB2101	1-469-324-21	FERRITE, EMI (SMD) (2012)			R514	1-216-833-11	METAL CHIP 10K 5% 1/10W
FB2103	1-469-324-21	FERRITE, EMI (SMD) (2012)					

**Note:** IC1103 cannot exchange with single. When this part is damaged, exchange the entire mounted board.

Ref. No.	Part No.	Description			Remark	Ref. No.	Part No.	Description			Remark
R515	1-216-833-11	METAL CHIP	10K	5%	1/10W	R596	1-218-871-11	METAL CHIP	10K	0.5%	1/10W
R516	1-216-833-11	METAL CHIP	10K	5%	1/10W	R597	1-218-879-11	METAL CHIP	22K	0.5%	1/10W
R517	1-216-833-11	METAL CHIP	10K	5%	1/10W	R598	1-218-851-11	METAL CHIP	1.5K	0.5%	1/10W
R518	1-216-833-11	METAL CHIP	10K	5%	1/10W	R599	1-216-821-11	METAL CHIP	1K	5%	1/10W
R519	1-216-833-11	METAL CHIP	10K	5%	1/10W	R601	1-216-809-11	METAL CHIP	100	5%	1/10W
R520	1-216-833-11	METAL CHIP	10K	5%	1/10W	R602	1-216-809-11	METAL CHIP	100	5%	1/10W
R521	1-216-833-11	METAL CHIP	10K	5%	1/10W	R603	1-216-864-11	SHORT CHIP	0		
R522	1-216-833-11	METAL CHIP	10K	5%	1/10W	R604	1-216-864-11	SHORT CHIP	0		
R523	1-216-833-11	METAL CHIP	10K	5%	1/10W	R650	1-216-809-11	METAL CHIP	100	5%	1/10W
R524	1-216-833-11	METAL CHIP	10K	5%	1/10W	R691	1-216-833-11	METAL CHIP	10K	5%	1/10W (US, CND)
R525	1-216-833-11	METAL CHIP	10K	5%	1/10W	R692	1-216-797-11	METAL CHIP	10	5%	1/10W (US, CND)
R526	1-216-809-11	METAL CHIP	100	5%	1/10W	R693	1-216-845-11	METAL CHIP	100K	5%	1/10W (US, CND)
R527	1-216-833-11	METAL CHIP	10K	5%	1/10W	R694	1-216-833-11	METAL CHIP	10K	5%	1/10W (US, CND)
R528	1-216-833-11	METAL CHIP	10K	5%	1/10W	R695	1-216-845-11	METAL CHIP	100K	5%	1/10W (US, CND)
R529	1-216-821-11	METAL CHIP	1K	5%	1/10W	R696	1-216-809-11	METAL CHIP	100	5%	1/10W (US, CND)
R530	1-216-809-11	METAL CHIP	100	5%	1/10W	R697	1-216-809-11	METAL CHIP	100	5%	1/10W (US, CND)
R531	1-216-833-11	METAL CHIP	10K	5%	1/10W	R1101	1-216-809-11	METAL CHIP	100	5%	1/10W
R532	1-216-821-11	METAL CHIP	1K	5%	1/10W	R1102	1-216-864-11	SHORT CHIP	0		
R533	1-216-809-11	METAL CHIP	100	5%	1/10W	R1103	1-218-864-11	METAL CHIP	5.1K	0.5%	1/10W
R534	1-216-833-11	METAL CHIP	10K	5%	1/10W	R1105	1-216-833-11	METAL CHIP	10K	5%	1/10W
R535	1-216-809-11	METAL CHIP	100	5%	1/10W	R1106	1-216-833-11	METAL CHIP	10K	5%	1/10W
R536	1-216-864-11	SHORT CHIP	0			R1107	1-216-833-11	METAL CHIP	10K	5%	1/10W
R538	1-216-857-11	METAL CHIP	1M	5%	1/10W	R1108	1-216-857-11	METAL CHIP	1M	5%	1/10W
R539	1-216-833-11	METAL CHIP	10K	5%	1/10W	R1109	1-216-864-11	SHORT CHIP	0		
R540	1-216-833-11	METAL CHIP	10K	5%	1/10W	R1110	1-216-841-11	METAL CHIP	47K	5%	1/10W
R542	1-216-833-11	METAL CHIP	10K	5%	1/10W	R1111	1-216-809-11	METAL CHIP	100	5%	1/10W
R543	1-216-833-11	METAL CHIP	10K	5%	1/10W	R1112	1-211-977-11	METAL CHIP	22	0.5%	1/10W
R544	1-216-833-11	METAL CHIP	10K	5%	1/10W	R1113	1-211-977-11	METAL CHIP	22	0.5%	1/10W
R545	1-216-833-11	METAL CHIP	10K	5%	1/10W	R1114	1-216-845-11	METAL CHIP	100K	5%	1/10W
R546	1-216-833-11	METAL CHIP	10K	5%	1/10W	R1115	1-211-977-11	METAL CHIP	22	0.5%	1/10W
R551	1-216-809-11	METAL CHIP	100	5%	1/10W	R1116	1-216-821-11	METAL CHIP	1K	5%	1/10W
R556	1-216-841-11	METAL CHIP	47K	5%	1/10W	R1117	1-216-841-11	METAL CHIP	47K	5%	1/10W
R557	1-216-841-11	METAL CHIP	47K	5%	1/10W	R1118	1-216-801-11	METAL CHIP	22	5%	1/10W
R558	1-216-833-11	METAL CHIP	10K	5%	1/10W	R1120	1-216-801-11	METAL CHIP	22	5%	1/10W
R559	1-216-833-11	METAL CHIP	10K	5%	1/10W	R1121	1-216-801-11	METAL CHIP	22	5%	1/10W
R560	1-216-841-11	METAL CHIP	47K	5%	1/10W	R1122	1-216-864-11	SHORT CHIP	0		
R561	1-216-845-11	METAL CHIP	100K	5%	1/10W	R1124	1-216-841-11	METAL CHIP	47K	5%	1/10W
R562	1-216-841-11	METAL CHIP	47K	5%	1/10W	R1125	1-216-805-11	METAL CHIP	47	5%	1/10W
R563	1-216-833-11	METAL CHIP	10K	5%	1/10W	R1126	1-216-805-11	METAL CHIP	47	5%	1/10W
R564	1-216-809-11	METAL CHIP	100	5%	1/10W	R1128	1-216-805-11	METAL CHIP	47	5%	1/10W
R565	1-216-809-11	METAL CHIP	100	5%	1/10W	R1132	1-216-845-11	METAL CHIP	100K	5%	1/10W
R566	1-216-809-11	METAL CHIP	100	5%	1/10W	R1133	1-216-864-11	SHORT CHIP	0		
R567	1-216-809-11	METAL CHIP	100	5%	1/10W	R1135	1-216-821-11	METAL CHIP	1K	5%	1/10W
R568	1-216-809-11	METAL CHIP	100	5%	1/10W	R1136	1-216-835-11	METAL CHIP	15K	5%	1/10W
R569	1-216-809-11	METAL CHIP	100	5%	1/10W	R1137	1-216-833-11	METAL CHIP	10K	5%	1/10W
R570	1-216-841-11	METAL CHIP	47K	5%	1/10W	R1138	1-216-833-11	METAL CHIP	10K	5%	1/10W
R574	1-216-864-11	SHORT CHIP	0			R1139	1-216-864-11	SHORT CHIP	0		
R579	1-216-809-11	METAL CHIP	100	5%	1/10W	R1140	1-216-821-11	METAL CHIP	1K	5%	1/10W
R580	1-216-809-11	METAL CHIP	100	5%	1/10W	R1141	1-216-855-11	METAL CHIP	680K	5%	1/10W
R581	1-216-809-11	METAL CHIP	100	5%	1/10W	R1142	1-216-809-11	METAL CHIP	100	5%	1/10W
R582	1-216-833-11	METAL CHIP	10K	5%	1/10W	R1143	1-216-805-11	METAL CHIP	47	5%	1/10W
R583	1-218-871-11	METAL CHIP	10K	0.5%	1/10W	R1144	1-216-864-11	SHORT CHIP	0		
R584	1-218-873-11	METAL CHIP	12K	0.5%	1/10W	R1145	1-216-864-11	SHORT CHIP	0		
R585	1-218-891-11	METAL CHIP	68K	0.5%	1/10W	R1146	1-216-805-11	METAL CHIP	47	5%	1/10W
R586	1-216-821-11	METAL CHIP	1K	5%	1/10W	R1147	1-216-864-11	SHORT CHIP	0		
R587	1-218-871-11	METAL CHIP	10K	0.5%	1/10W	R1148	1-216-864-11	SHORT CHIP	0		
R588	1-218-883-11	METAL CHIP	33K	0.5%	1/10W						
R589	1-218-867-11	METAL CHIP	6.8K	0.5%	1/10W						
R590	1-216-821-11	METAL CHIP	1K	5%	1/10W						
R592	1-216-864-11	SHORT CHIP	0								



# SCD-XA5400ES

## MAIN

Ref. No.	Part No.	Description	Remark	Ref. No.	Part No.	Description	Remark
R1151	1-216-833-11	METAL CHIP	10K 5%	R1753	1-216-864-11	SHORT CHIP	0
R1152	1-216-864-11	SHORT CHIP	0	R1754	1-216-864-11	SHORT CHIP	0
R1153	1-216-864-11	SHORT CHIP	0	R1757	1-216-864-11	SHORT CHIP	0
R1154	1-216-864-11	SHORT CHIP	0	R1781	1-216-827-11	METAL CHIP	3.3K 5%
R1155	1-216-864-11	SHORT CHIP	0	R1782	1-216-827-11	METAL CHIP	3.3K 5%
R1156	1-216-809-11	METAL CHIP	100 5%	R1783	1-216-864-11	SHORT CHIP	0
R1159	1-216-833-11	METAL CHIP	10K 5%	R1784	1-216-864-11	SHORT CHIP	0
R1160	1-216-805-11	METAL CHIP	47 5%	R1785	1-216-864-11	SHORT CHIP	0
R1161	1-216-805-11	METAL CHIP	47 5%	R1786	1-216-864-11	SHORT CHIP	0
R1175	1-216-864-11	SHORT CHIP	0	R1801	1-211-990-11	METAL CHIP	75 0.5%
R1185	1-216-805-11	METAL CHIP	47 5%	R2101	1-218-841-11	METAL CHIP	560 0.5%
R1186	1-216-833-11	METAL CHIP	10K 5%	R2110	1-216-826-11	METAL CHIP	2.7K 5%
R1191	1-216-821-11	METAL CHIP	1K 5%	R2114	1-216-801-11	METAL CHIP	22 5%
R1193	1-216-821-11	METAL CHIP	1K 5%	R2115	1-216-864-11	SHORT CHIP	0
R1198	1-216-809-11	METAL CHIP	100 5%	R2119	1-216-864-11	SHORT CHIP	0
R1204	1-216-822-11	METAL CHIP	1.2K 5%	R2129	1-216-845-11	METAL CHIP	100K 5%
R1205	1-216-833-11	METAL CHIP	10K 5%	R2133	1-216-864-11	SHORT CHIP	0
R1206	1-216-833-11	METAL CHIP	10K 5%	R2134	1-216-864-11	SHORT CHIP	0
R1207	1-216-826-11	METAL CHIP	2.7K 5%	R2150	1-216-827-11	METAL CHIP	3.3K 5%
R1208	1-216-839-11	METAL CHIP	33K 5%	R2151	1-216-827-11	METAL CHIP	3.3K 5%
R1209	1-216-839-11	METAL CHIP	33K 5%	R2152	1-216-827-11	METAL CHIP	3.3K 5%
R1210	1-216-841-11	METAL CHIP	47K 5%	R2155	1-216-833-11	METAL CHIP	10K 5%
R1212	1-216-833-11	METAL CHIP	10K 5%	R2156	1-216-833-11	METAL CHIP	10K 5%
R1213	1-218-867-11	METAL CHIP	6.8K 0.5%	R2157	1-216-833-11	METAL CHIP	10K 5%
R1214	1-216-835-11	METAL CHIP	15K 5%	R2158	1-216-833-11	METAL CHIP	10K 5%
R1215	1-216-834-11	METAL CHIP	12K 5%	R2159	1-216-833-11	METAL CHIP	10K 5%
R1216	1-216-834-11	METAL CHIP	12K 5%	R2160	1-216-833-11	METAL CHIP	10K 5%
R1219	1-216-838-11	METAL CHIP	27K 5%	R2176	1-216-864-11	SHORT CHIP	0
R1220	1-216-821-11	METAL CHIP	1K 5%	R2177	1-216-864-11	SHORT CHIP	0
R1221	1-218-889-11	METAL CHIP	56K 0.5%	R2178	1-216-821-11	METAL CHIP	1K 5%
R1223	1-218-895-11	METAL CHIP	100K 0.5%	R2180	1-216-833-11	METAL CHIP	10K 5%
R1224	1-216-833-11	METAL CHIP	10K 5%	R2184	1-216-809-11	METAL CHIP	100 5%
R1225	1-218-895-11	METAL CHIP	100K 0.5%	R2185	1-216-809-11	METAL CHIP	100 5%
R1226	1-218-889-11	METAL CHIP	56K 0.5%	R2187	1-216-805-11	METAL CHIP	47 5%
R1229	1-216-834-11	METAL CHIP	12K 5%	R2200	1-216-833-11	METAL CHIP	10K 5%
R1230	1-218-893-11	METAL CHIP	82K 0.5%	R9918	1-216-821-11	METAL CHIP	1K 5%
R1231	1-218-875-11	METAL CHIP	15K 0.5%	R9920	1-216-864-11	SHORT CHIP	0
R1232	1-218-877-11	METAL CHIP	18K 0.5%	R9922	1-216-833-11	METAL CHIP	10K 5%
R1233	1-218-883-11	METAL CHIP	33K 0.5%	R9924	1-216-821-11	METAL CHIP	1K 5%
R1234	1-216-833-11	METAL CHIP	10K 5%	R9928	1-216-837-11	METAL CHIP	22K 5%
R1236	1-216-821-11	METAL CHIP	1K 5%	R9929	1-216-837-11	METAL CHIP	22K 5%
R1237	1-216-821-11	METAL CHIP	1K 5%	R9934	1-216-833-11	METAL CHIP	10K 5%
R1238	1-216-821-11	METAL CHIP	1K 5%	R9935	1-216-864-11	SHORT CHIP	0
R1239	1-216-821-11	METAL CHIP	1K 5%	R9941	1-216-838-11	METAL CHIP	27K 5%
R1243	1-216-805-11	METAL CHIP	47 5%	R9945	1-216-813-11	METAL CHIP	220 5%
R1246	1-216-829-11	METAL CHIP	4.7K 5%	< COMPOSITION CIRCUIT BLOCK >			
R1247	1-216-821-11	METAL CHIP	1K 5%	RB1103	1-234-400-21	CONDUCTOR, NETWORK (1005X4)	
R1254	1-216-833-11	METAL CHIP	10K 5%	RB1104	1-234-400-21	CONDUCTOR, NETWORK (1005X4)	
R1701	1-218-285-11	METAL CHIP	75 5%	RB1105	1-234-944-21	RES, NETWORK 47 (1005X4)	
R1702	1-216-801-11	METAL CHIP	22 5%	RB1106	1-234-944-21	RES, NETWORK 47 (1005X4)	
R1730	1-216-826-11	METAL CHIP	2.7K 5%	RB1107	1-234-400-21	CONDUCTOR, NETWORK (1005X4)	
R1742	1-216-841-11	METAL CHIP	47K 5%	RB1108	1-234-400-21	CONDUCTOR, NETWORK (1005X4)	
R1744	1-216-829-11	METAL CHIP	4.7K 5%	RB1109	1-234-400-21	CONDUCTOR, NETWORK (1005X4)	
R1746	1-216-864-11	SHORT CHIP	0	RB1110	1-234-400-21	CONDUCTOR, NETWORK (1005X4)	
R1747	1-216-864-11	SHORT CHIP	0	RB1111	1-234-400-21	CONDUCTOR, NETWORK (1005X4)	
R1748	1-216-864-11	SHORT CHIP	0	RB1112	1-234-400-21	CONDUCTOR, NETWORK (1005X4)	
R1749	1-216-824-11	METAL CHIP	1.8K 5%	RB1113	1-234-400-21	CONDUCTOR, NETWORK (1005X4)	
R1750	1-216-824-11	METAL CHIP	1.8K 5%	RB1114	1-234-400-21	CONDUCTOR, NETWORK (1005X4)	
R1751	1-216-864-11	SHORT CHIP	0	RB1115	1-234-400-21	CONDUCTOR, NETWORK (1005X4)	
R1752	1-216-864-11	SHORT CHIP	0				

MAIN MOTOR OUT-SW POWER

Ref. No.	Part No.	Description	Remark	Ref. No.	Part No.	Description	Remark
		< SWITCH >				< DIODE >	
S501	1-692-991-11	SWITCH, SLIDE (DIGITAL OUT(CD))		D101	8-719-210-33	DIODE EC10DS2	
S502	1-692-991-11	SWITCH, SLIDE (HDMI PRIORITY)		D102	8-719-210-33	DIODE EC10DS2	
		< VIBRATOR >		D103	8-719-210-33	DIODE EC10DS2	
X501	1-795-121-21	VIBRATOR, CERAMIC (5MHz)		D104	8-719-210-33	DIODE EC10DS2	
*****				D105	8-719-210-39	DIODE EC10QS-04	
		MOTOR BOARD		D106	8-719-210-39	DIODE EC10QS-04	
		*****		D107	8-719-210-39	DIODE EC10QS-04	
		< CONNECTOR >		D108	8-719-210-39	DIODE EC10QS-04	
CN010	1-564-721-11	PIN, CONNECTOR (SMALL TYPE) 5P		D109	8-719-210-39	DIODE EC10QS-04	
CN011	1-506-481-11	PIN, CONNECTOR 2P		D110	8-719-210-39	DIODE EC10QS-04	
		< SWITCH >		D111	8-719-210-39	DIODE EC10QS-04	
SW010	1-572-086-11	SWITCH, LEAF (CHUCKING)		D112	8-719-210-39	DIODE EC10QS-04	
*****				D113	8-719-210-39	DIODE EC10QS-04	
		OUT-SW BOARD		D114	8-719-210-39	DIODE EC10QS-04	
		*****		D115	8-719-210-39	DIODE EC10QS-04	
		< SWITCH >		D116	8-719-210-39	DIODE EC10QS-04	
SW011	1-762-424-11	SWITCH, MICRO (DISC IN/OUT)		D117	8-719-210-39	DIODE EC10QS-04	
*****				D118	8-719-210-39	DIODE EC10QS-04	
A-1544-253-A		POWER BOARD, COMPLETE (US, CND)		D119	8-719-210-39	DIODE EC10QS-04	
A-1560-484-A		POWER BOARD, COMPLETE (AEP)		D120	8-719-210-39	DIODE EC10QS-04	
		*****		D121	8-719-210-39	DIODE EC10QS-04	
		< CAPACITOR >		D122	8-719-210-39	DIODE EC10QS-04	
C101	1-128-576-11	ELECT	100uF 20% 63V	D123	8-719-210-39	DIODE EC10QS-04	
C102	1-126-767-11	ELECT	1000uF 20% 16V	D124	8-719-210-39	DIODE EC10QS-04	
C103	1-112-425-11	ELECT	6800uF 20% 25V	D125	8-719-210-39	DIODE EC10QS-04	
C104	1-107-887-31	ELECT	10000uF 20% 16V	D126	8-719-210-39	DIODE EC10QS-04	
C105	1-107-887-31	ELECT	10000uF 20% 16V	D127	8-719-210-39	DIODE EC10QS-04	
C106	1-112-093-11	ELECT	2200uF 20% 25V	D128	8-719-210-39	DIODE EC10QS-04	
C107	1-112-094-11	ELECT	2200uF 20% 35V	D129	8-719-083-70	DIODE UDZSNPTE-1727B	
C108	1-112-094-11	ELECT	2200uF 20% 35V	D130	8-719-069-54	DIODE UDZSNPTE-175.1B	
C109	1-126-925-91	ELECT	470uF 20% 10V			< IC >	
C110	1-126-964-11	ELECT	10uF 20% 50V	IC101	8-759-390-48	IC uPC2406AHF	
C111	1-137-150-11	FILM	0.01uF 5% 100V	IC102	8-759-473-41	IC BA10T	
C112	1-137-150-11	FILM	0.01uF 5% 100V	IC103	6-708-659-01	IC BA00BCOWT-V5	
C113	1-137-150-11	FILM	0.01uF 5% 100V	IC104	8-759-390-48	IC uPC2406AHF	
C114	1-112-093-11	ELECT	2200uF 20% 25V	IC105	8-759-450-47	IC BA05T	
C115	1-128-339-31	ELECT	2200uF 20% 16V	IC106	6-713-034-01	IC KIA7812API-U/PF	
C116	1-128-339-31	ELECT	2200uF 20% 16V	IC107	6-712-106-01	IC KIA7912PI	
C117	1-124-703-51	ELECT	2200uF 20% 25V			< TRANSISTOR >	
C118	1-124-703-51	ELECT	2200uF 20% 25V	Q101	8-729-230-27	TRANSISTOR 2SA1213Y-TE12L	
C119	1-124-703-51	ELECT	2200uF 20% 25V			< RESISTOR >	
		< CONNECTOR >		R101	1-249-429-11	CARBON 10K 5% 1/4W	
CN101	1-691-770-21	PLUG (MICRO CONNECTOR) 8P		R102	1-249-429-11	CARBON 10K 5% 1/4W	
CN102	1-691-769-11	PLUG (MICRO CONNECTOR) 7P		R103	1-247-843-11	CARBON 3.3K 5% 1/4W	
CN103	1-784-922-11	PIN, CONNECTOR 5P		R104	1-247-807-31	CARBON 100 5% 1/4W	
* CN104	1-691-772-11	PLUG (MICRO CONNECTOR) 10P		R105	1-247-807-31	CARBON 100 5% 1/4W	
CN105	1-691-770-11	PLUG (MICRO CONNECTOR) 8P		R106	1-247-863-91	CARBON 22K 5% 1/4W	
CN106	1-784-921-11	PIN, CONNECTOR 4P		R107	1-247-883-00	CARBON 150K 5% 1/4W	
				R108	1-249-439-11	CARBON 68K 5% 1/4W	
						< THERMISTOR >	
				△ TH101	1-803-988-11	THERMISTOR, POSITIVE	
				△ TH102	1-803-988-11	THERMISTOR, POSITIVE	
				△ TH103	1-804-046-21	THERMISTOR, POSITIVE (RXE030) (AEP)	
*****							

# SCD-XA5400ES

## STANDBY

Ref. No.	Part No.	Description	Remark
	A-1544-254-A	STANDBY BOARD, COMPLETE (US, CND)	
	A-1544-320-A	STANDBY BOARD, COMPLETE (AEP)	
*****			
	7-685-646-79	SCREW +BVTP 3X8 TYPE2 IT-3	
< CAPACITOR >			
C51	1-126-964-11	ELECT 10uF 20% 50V	
△ C52	1-112-887-51	CERAMIC 0.01uF 20% 250V	
C53	1-126-943-11	ELECT 2200uF 20% 25V	
C54	1-164-315-11	CERAMIC CHIP 470PF 5% 50V	
C55	1-136-287-11	FILM 0.0047uF 5% 100V	
C56	1-137-465-11	MYLAR 0.056uF 5% 100V	
C57	1-126-941-11	ELECT 470uF 20% 25V	
C58	1-100-566-91	CERAMIC CHIP 0.1uF 10% 25V	
△ C59	1-112-887-51	CERAMIC 0.01uF 20% 250V	
C60	1-126-941-11	ELECT 470uF 20% 25V	
< CONNECTOR >			
CN001	1-784-921-11	PIN, CONNECTOR 4P	
CN002	1-770-128-11	PIN, CONNECTOR (3.96mm PITCH) 2P	
CN003	1-564-321-00	PIN, CONNECTOR (3.96mm PITCH) 2P	
* CN004	1-564-321-21	PIN, CONNECTOR (3.96mm PITCH) 2P	
< DIODE >			
D52	8-719-210-21	DIODE 11EQS04	
D53	8-719-210-21	DIODE 11EQS04	
D54	8-719-210-21	DIODE 11EQS04	
D55	8-719-210-21	DIODE 11EQS04	
D56	8-719-991-33	DIODE 1SS133T-77	
D57	8-719-991-33	DIODE 1SS133T-77	
D58	8-719-991-33	DIODE 1SS133T-77	
< EARTH TERMINAL >			
* EE51	1-537-738-21	TERMINAL, EARTH	
< FUSE HOLDER >			
FH01	1-533-233-11	FUSE HOLDER	
FH02	1-533-233-11	FUSE HOLDER	
FH03	1-533-233-11	FUSE HOLDER	
FH04	1-533-233-11	FUSE HOLDER	
< IC >			
IC51	8-759-450-47	IC BA05T	
IC52	6-708-659-01	IC BA00BCOWT-V5	
< COIL >			
△ L51	1-421-915-11	COIL, LINE FILTER	
< TRANSISTOR >			
Q51	8-729-119-78	TRANSISTOR 2SC2785-HFE	
Q52	8-729-119-78	TRANSISTOR 2SC2785-HFE	
< RESISTOR >			
R51	1-249-429-11	CARBON 10K 5% 1/4W	
R52	1-249-427-11	CARBON 6.8K 5% 1/4W	
R53	1-247-863-91	CARBON 22K 5% 1/4W	
R54	1-249-421-11	CARBON 2.2K 5% 1/4W	
R55	1-249-429-11	CARBON 10K 5% 1/4W	
R56	1-247-883-00	CARBON 150K 5% 1/4W	

Ref. No.	Part No.	Description	Remark
R57	1-249-439-11	CARBON 68K 5% 1/4W	
△ R60	1-249-389-91	CARBON 4.7 5% 1/4W	F
R61	1-249-415-11	CARBON 680 5% 1/4W	
< RELAY >			
△ RY01	1-755-266-11	RELAY, AC POWER	
< TRANSFORMER >			
△ T002	1-445-518-11	POWER SOURCE TRANSFORMER (US, CND)	
△ T002	1-445-519-11	POWER SOURCE TRANSFORMER (AEP)	
< THERMISTOR >			
△ TH50	1-804-046-21	THERMISTOR, POSITIVE (RXE030)	
*****			
MISCELLANEOUS			
*****			
59	1-835-567-51	WIRE (FLAT TYPE) (19 CORE)	
154	1-828-326-51	WIRE (FLAT TYPE) (13 CORE)	
△ 204	1-821-082-41	AC INLET (2P) (~ AC IN)	
△ 552	8-820-322-04	OPTICAL PICK-UP BLOCK (KHM-313CAB/C2RP)	
555	1-835-373-51	WIRE (FLAT TYPE) (24 CORE)	
△ F001	1-532-389-33	FUSE (T500mA/250V) (AEP)	
△ F001	1-532-501-33	FUSE (T800mA/250V) (US, CND)	
△ F002	1-532-389-33	FUSE (T500mA/250V) (AEP)	
△ F002	1-532-501-33	FUSE (T800mA/250V) (US, CND)	
M001	A-4604-363-A	MOTOR (L) ASSY (LOADING)	
△ PT002	1-445-487-11	TRANSFORMER, POWER (US, CND)	
△ PT002	1-445-488-11	TRANSFORMER, POWER (AEP)	
△ PT003	1-445-483-11	TRANSFORMER, POWER (US, CND)	
△ PT003	1-445-484-11	TRANSFORMER, POWER (AEP)	
*****			
ACCESSORIES			
*****			
	1-480-856-11	REMOTE COMMANDER (RM-ASU042)	
	1-791-732-12	CORD, CONNECTION (Audio connecting cord (Red and White plugs))	
△	1-824-964-13	CORD, POWER (US, CND)	
△	1-831-474-11	CORD, POWER (AEP)	
	4-000-691-12	MANUAL, INSTRUCTION (ENGLISH, FRENCH)	
	4-000-691-22	MANUAL, INSTRUCTION (SPANISH, GERMAN) (AEP)	
	4-000-691-32	MANUAL, INSTRUCTION (DUTCH, ITALIAN) (AEP)	
	4-000-691-42	MANUAL, INSTRUCTION (SPANISH, POLISH) (AEP)	
	4-000-691-51	MANUAL, INSTRUCTION (DANISH, FINNISH) (AEP)	
	4-000-691-61	MANUAL, INSTRUCTION (PORTUGUESE) (AEP)	
	4-000-691-71	MANUAL, INSTRUCTION (RUSSIAN) (AEP)	
	4-000-692-11	MANUAL, INSTRUCTION (GREEK) (AEP)	
	4-000-692-21	MANUAL, INSTRUCTION (HUNGARIAN, CZECH) (AEP)	
	4-000-692-31	MANUAL, INSTRUCTION (TURKISH) (AEP)	
	4-000-692-41	MANUAL, INSTRUCTION (SLOVAKIAN) (AEP)	

**Note:** If wire (flat type) is replaced, install it after bending it in the same form as that before replacement.

