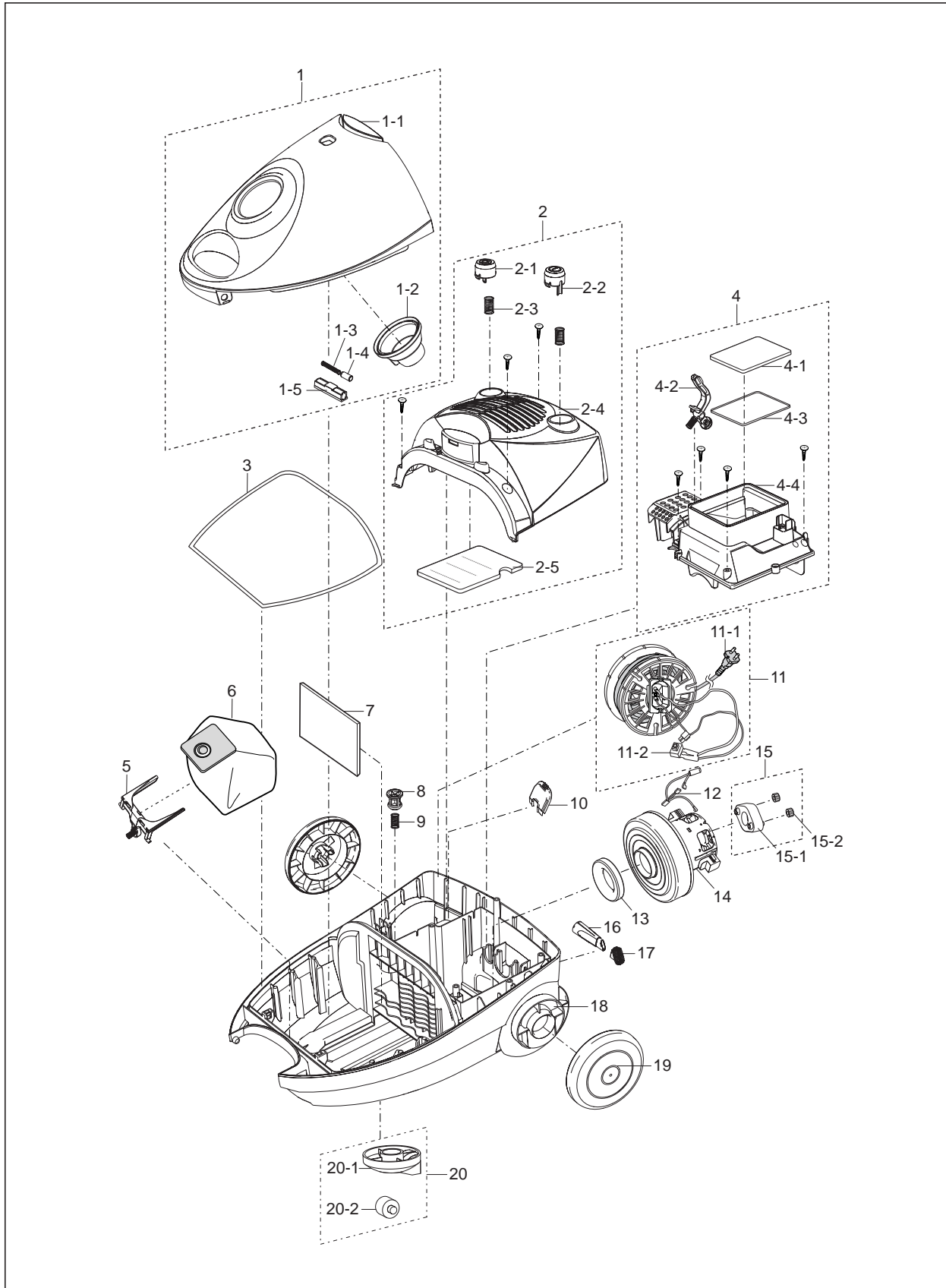


# 1. Exploded Views and Parts List

## 1-1. Assembly-Body

### 1-1-1 ON/OFF Model



1. Exploded Views and Parts List

**- Body Parts List**

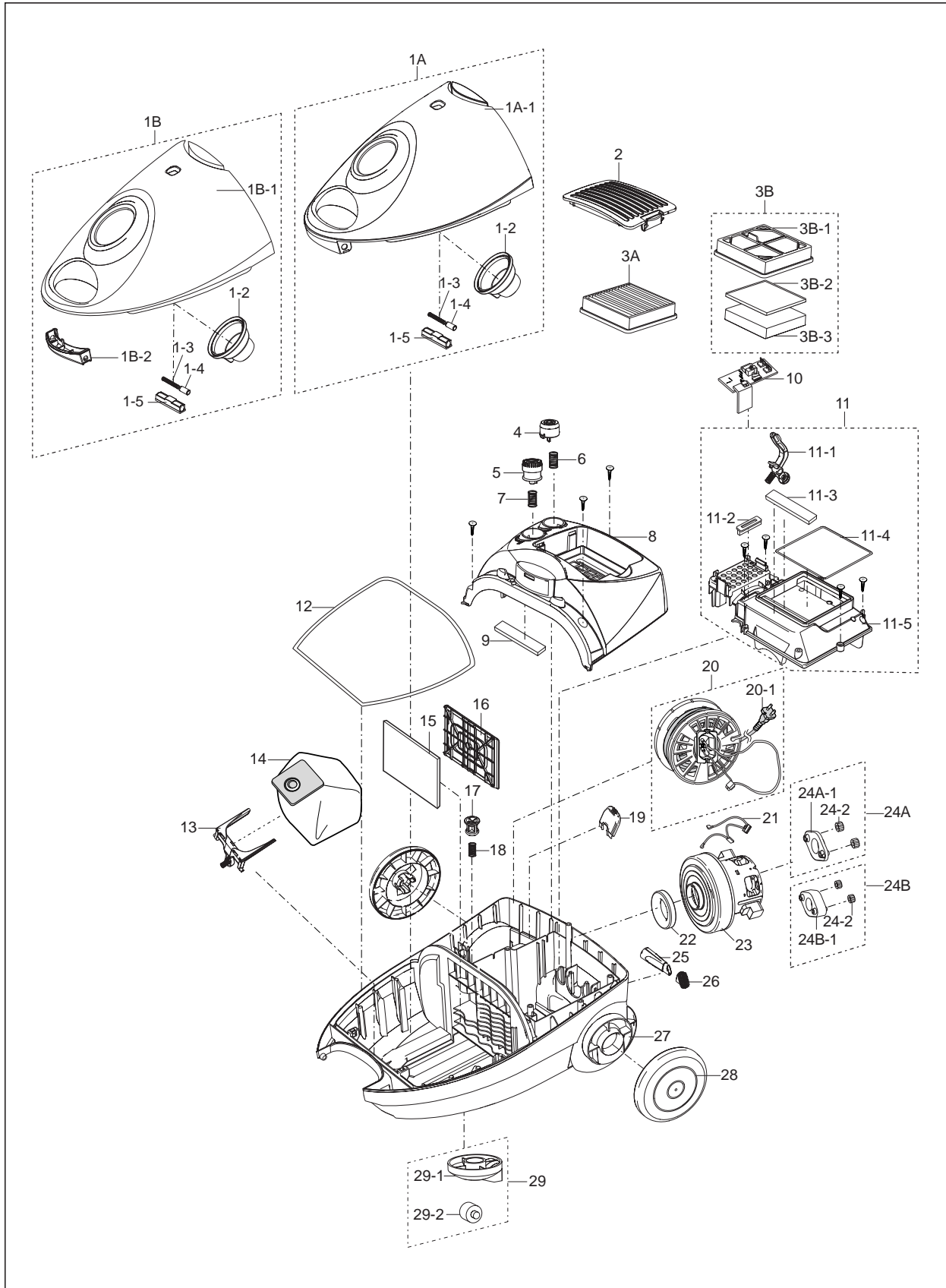
Location No.	Code No.	Description	Specification	Q'ty	A/S	Remarks
1	DJ63-00415B	ASSY COVER DUST	ASSY,SPRING BLUE	1	●	
1-1	DJ63-00402B	COVER DUST	ABS,SPRING BLUE	1		
1-2	DJ61-00713A	HOLDER-CLAMPER	ABS,L45.7,BLK	1		
1-3	DJ61-00726A	SPRING ETC-INDICATOR	HSWR,PI0.3,ID6.1,OD7.3	1		
1-4	DJ66-00266A	PISTON INDICATOR	ABS,L16.5,OD7.79,RED	1		
1-5	DJ62-00149A	PIPE-INDICATOR	ABS,ID8.3,OD10.8,L50.2	1		
2	DJ97-00109A	ASSY BODY CONTROL	EPP-PJT	1	●	
2-1	DJ64-00397A	BUTTON-C/REEL	ABS,ROYAL GRY	1		
2-2	DJ64-00349A	BUTTON SWITCH	ABS,ROYAL GRY	1		
2-3	DJ61-70187B	SPRING ETC-BUTTON	HSWR,PI0.7,ID11.3	2		
2-4	DJ61-00712A	BODY CONTROL	PP,L185,W273,DEEP GRY	1		
2-5	DJ63-00412A	FILTER OUTLET	Non-Woven,T5,W111.5,L95	1		
3	DJ69-00225A	PACKING-DUST	EPDM, OD4.5,L830,BLK	1	●	
4	DJ97-00112A	ASSY-CASE MOTOR	EPP-PJT	1	●	
4-1	DJ72-00311A	SPONGE-CASE MOTOR	SPONGE,T10,W90,L75	1		
4-2	DJ66-00274A	ASSY LEVER BRAKE	ASSY,DEEY GRY,EPP-	1	●	
4-3	DJ62-00153A	SEAL-CASE MOTOR	SPONGE,T3,W11,L389.27	1		
4-4	DJ61-00718A	CASE MOTOR	PP,W170.9,L250.6	1	●	
5	DJ61-00735A	ASSY SUPPORT-FILTER	ASSY,EPP-PJT	1	●	
6	DJ74-10110F	BAG-DUST CLOTH	CLOTH+MELTBLOWN	1	●	
	DJ74-10123F	BAG-DUST PAPER	PAPER+RUBBER,L200,W180			
7	DJ63-00413A	FILTER GRILLE	Non-Woven,T3,W169,L100	1	●	
8	DJ66-00269A	PISTON-DAMPER	PVC,L24,OD25	1		
9	DJ61-00727A	SPRING ETC-DAMPER	HSWR,PI1.2,ID21.8,OD24.2	1		
10	DJ63-00403A	GUARD CORD	PP,W62.2,L57,DEEP GRY	1	●	
11	DJ67-00374B	ASSY CORD REEL	ASSY,CP2 4.8,0.75_,L6100,BL	1	●	
11-1	3903-000200	CBF-POWER CORD	AT,EU,CP2(PI4.8),WIRE(2P),250V,16A	1	●	
11-2	3403-001124	SWITCH-PUSH	250VAC,8A,SPST,ON-OFF	1	●	
12	DJ39-20245H	HARNESS MOTOR	200/180/80,BLU/BRN/BRN	1	●	
13	DJ69-00215A	CUSHION-MOTOR F	NR,BLK,DI33.8/DO64	1	●	
14	DJ31-00005B	MOTOR FAN-AC	VCM-K40,50/60Hz	1	●	
15	DJ61-00118C	SUPPORT-MOTOR ASSY	PP+PVC,EPP-PJT	1	●	
15-1	DJ61-00094A	SUPPORT-MOTOR	PP,NTR	1		
15-2	DJ73-00008A	CUSHION-RING	PVC,BLK	2	●	
16	DJ62-00150A	PIPE CREVICE	PP,L116,DEEP GRY	1	●	
17	DJ67-00368A	BRUSH DUSTING	PP,DEEP GRY	1	●	
18	DJ61-00716A	BODY BASE	PP,DEEP GRY	1	●	
19	DJ66-00267A	WHEEL BACK	PP,OD114.9,ROYAL GRY	2	●	
20	DJ66-70159A	ASSY ROLLER FRONT	PP,DEEP GRY	1	●	
20-1	DJ67-10141A	HOLDER-BACK	PP,BK170	1		
20-2	DJ66-70129A	ROLLER-BACK	PP,DEEP GRY	1		

\* A/S= ● : Service Available

# 1. Exploded Views and Parts List

## 1-1. Assembly-Body

### 1-1-2 Volume Control Model



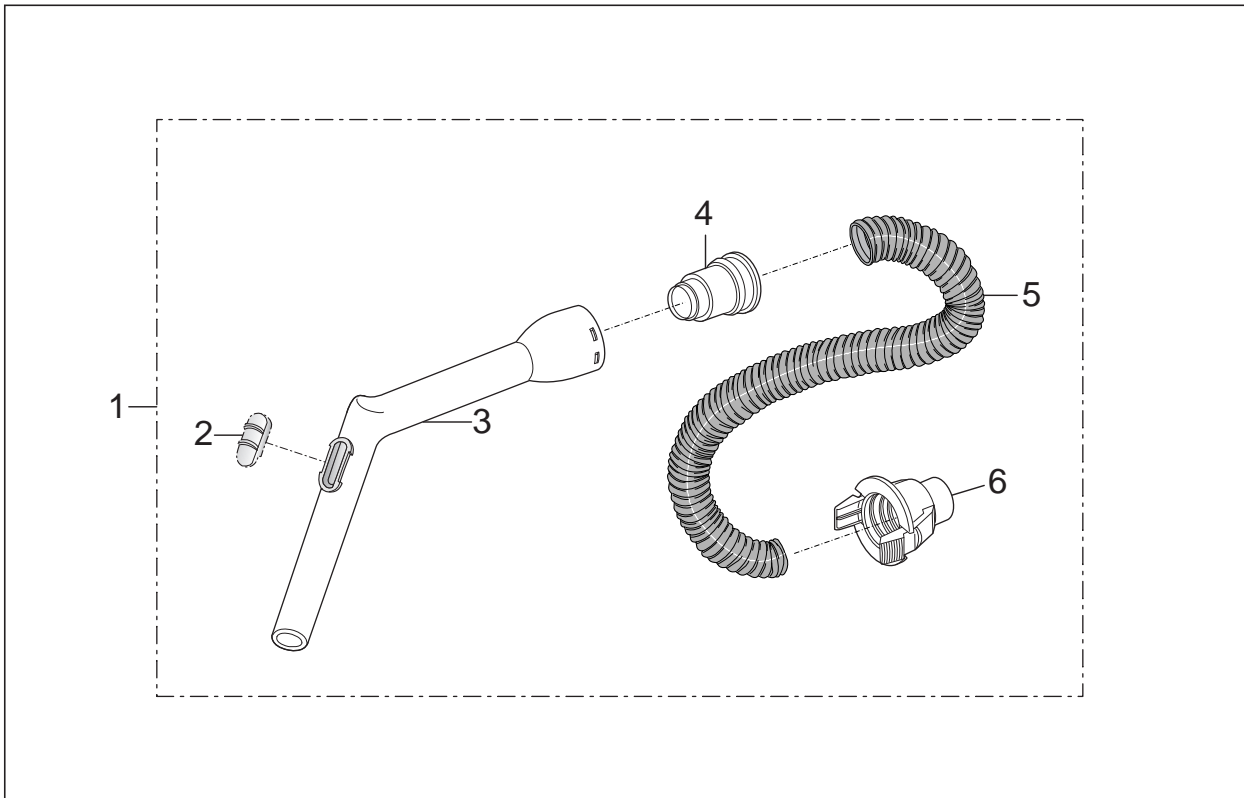
1. Exploded Views and Parts List

**- Body Parts List**

Location No.	Code No.	Description	Specification	Q'ty	A/S	Remarks
1A	DJ63-00415A	COVER DUST-ASSY	ASSY,EURO YELLO	1	●	
1A-1	DJ63-00402A	COVER DUST	ABS,W273,L273.9,EURO YEL	1		
1B	DJ97-00219A	COVER DUST-ASSY	ASSY,TANGO RED	1	●	
1B-1	DJ63-00431A	COVER DUST	ABS,W273,L273.9,TANGO RED	1		
1B-2	DJ64-00384A	HANDLE LOW	ABS,W20.09,L104.07	1		
1-2	DJ61-00713A	HOLDER-CLAMPER	ABS,L45.7,BLK	1		
1-3	DJ61-00726A	SPRING ETC-INDICATOR	HSWR,PI0.3,ID6.1,OD7.3	1		
1-4	DJ66-00266A	PISTON INDICATOR	ABS,L16.5,OD7.79,RED	1		
1-5	DJ62-00149A	PIPE-INDICATOR	ABS,ID8.3,OD10.8,L50.2,TRP	1		
2	DJ64-00351A	GRILLE-BACK	ABS,W126.2,L109.2,DEEP GRY,	1	●	
3A	DJ64-00358A	ASSY GRILLE-FILTER	PP+HEPA+SPONGE	1	●	
3B	DJ64-00359A	ASSY GRILLE-FILTER	PP+MICRO+SPONGE,	1		
3B-1	DJ61-00714A	CASE-FILTER	PP,W28,L117.7,DEEP GRY,MICRO	1	●	
3B-2	DJ62-00153A	SEAL-CASE MOTOR	SPONGE,T3,W11,L389.27	1		
3B-3	DJ63-00411A	FILTER-MICRO	SPONGE+MICRO,T13,W96,L106	1	●	
4	DJ64-00348A	BUTTON-C/REEL	ABS,ROYAL GRY	1		
5	DJ64-00350A	KNOB-ROTARY	ABS,ROYAL GRY	1		
6	DJ61-70187B	SPRING ETC-BUTTON	HSWR,PI0.7,ID11.3	1		
7	DJ61-70191B	SPRING ETC-BUTTON	HSWR,PI1.0,ID19.5,	1		
8	DJ61-00711A	BODY CONTROL	ABS,L185,W273,DEEP GRY	1		
9	DJ72-00309A	SPONGE-BODY CONTROL	SPONG,T10,W19,L100,	1		
10	DJ41-00131A	PBA MAIN	FR1,W85 X L60,HARMONIC,220~240V	1	●	
11	DJ97-00113A	ASSY-CASE MOTOR	EPP-PJT	1	●	
11-5	DJ61-00719A	CASE MOTOR	PP,W170.9,L250.6	1	●	
11-4	DJ62-00154A	SEAL-CASE MOTOR	SPONGE,T3,W11,L205	1	●	
11-1	DJ66-00274A	LEVER BRAKE-ASSY	ASSY,DEEY GRY,EPP-	1	●	
11-2	DJ69-00214A	PACKING-H/SINK	PVC,W14,L37,H8.5,BLK	1		
11-3	DJ72-00310A	SPONGE-CASE MOTOR	SPONGE,T10,W50,L95	1	●	
12	DJ69-00225A	PACKING-DUST	SPONGE,T5,W15,L415,BLK	1	●	
13	DJ61-00735A	ASSY SUPPORT-FILTER	ASSY,EPP-PJT	1	●	
14	DJ74-10110F	BAG DUST-CLOTH	CLOTH+MELTBLOWN	1	●	
	DJ74-10123F	BAG DUST-PAPER	PAPER+RUBBER,L200,W180			
15	DJ63-00413A	FILTER GRILLE	Non-Woven,T3,W169,L100	1	●	
	DJ63-00413B		Non-Woven,T5,W150,L100			
16	DJ64-00383A	GRILLE FILTER	PP,W105,L166,YEL	1	●	
17	DJ66-00269A	PISTON-DAMPER	PVC,L24,OD25	1		
18	DJ61-00727A	SPRING ETC-DAMPER	HSWR,PI1.2,ID21.8,OD24.2	1		
19	DJ63-00403A	GUARD CORD	PP,W62.2,L57,DEEP GRY	1	●	
20	DJ67-00374A	ASSY CORD REEL	ASSY,CP2 4.8,0.75_,L6100,BL	1	●	
20-1	3903-000200	CBF-POWER CORD	AT,EU,CP2(PI4.8),WIRE(2P),250V,16A,	1	●	
21	DJ39-20260V	HARNESS MOTOR	SC9200,03P,300V,3.96	1		
22	DJ69-00215A	CUSHION-MOTOR F	NR,BLK,DI33.8/DO64	1	●	
23	DJ31-00005B	MOTOR FAN-AC	VCM-K40,50/60Hz	1	●	
24A	DJ61-00736A	SUPPORT-MOTOR ASSY	PP+PVC	1	●	
24A-1	DJ61-00720A	SUPPORT-MOTOR	PP,NTR	1		
24-2	DJ73-00008A	CUSHION-RING	PVC,BLK,VC-S100	2	●	
24B	DJ61-00118C	SUPPORT-MOTOR ASSY	PP+PVC,EPP-PJT	1	●	
24B-1	DJ61-00094A	SUPPORT-MOTOR	PP,NTR	1		
25	DJ62-00150A	PIPE CREVICE	PP,L116,DEEP GRY	1	●	
26	DJ67-00368A	BRUSH DUSTING	PP,DEEP GRY	1	●	
27	DJ61-00716A	BODY BASE	PP,DEEP GRY	1	●	
28	DJ66-00267A	WHEEL BACK	PP,OD114.9,ROYAL GRY	2	●	
29	DJ66-70159A	ASSY ROLLER FRONT	PP,DEEP GRY,VC-9000	1	●	
29-1	DJ67-10141A	HOLDER-BACK	PP,BK170	1		
29-2	DJ66-70129A	ROLLER-BACK	PP,DEEP GRY	1		

\* A/S= ● : Service Available

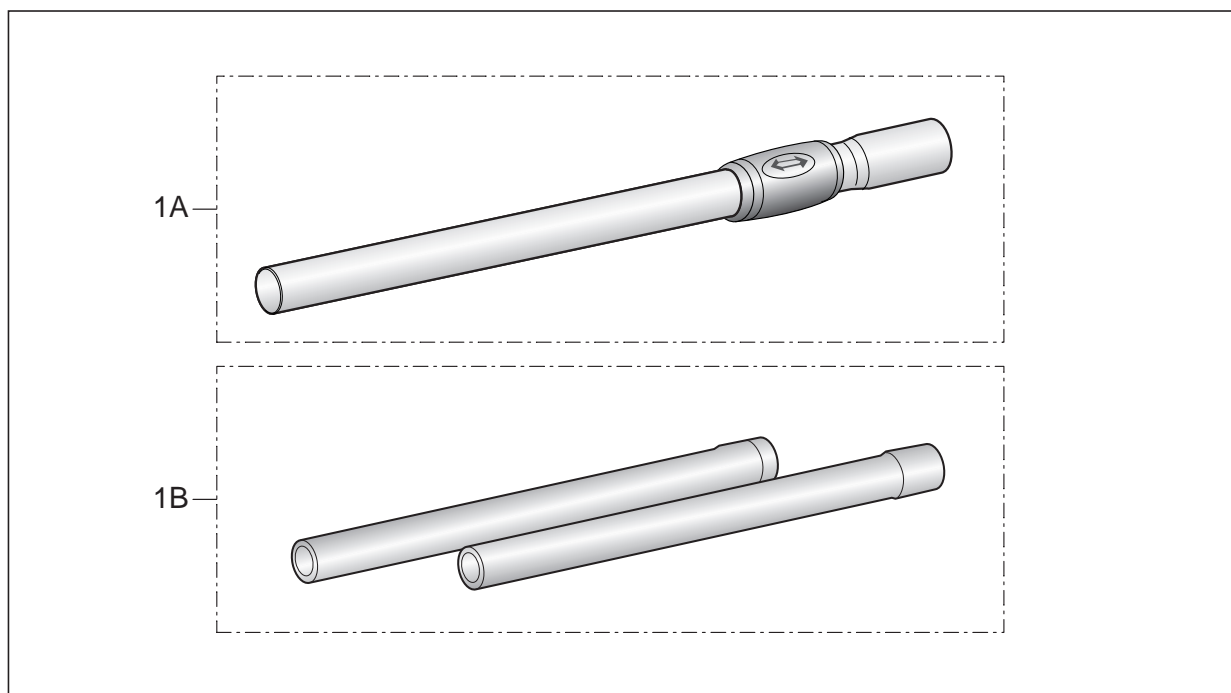
## 1-2. Assembly-Hose



Location No.	Code No.	Description	Specification	Q'ty	A/S	Remarks
1	DJ67-00073K	HOSE-ASSY	ID33,OD41,L1.5MT,DEEP GRY	1	●	
2	DJ61-20100A	GUIDE AIR	ABS	1		
3	DJ67-00063B	PIPE-HANDLE	PP,DEEP GRY,CARBON	1		
4	DJ61-00038B	HOLDER-HOSE	PP,DEEP GRY	1		
5	DJ67-00134A	HOSE-WIRELESS	EVA,ID33,OD41,L1500,SIL	1		
6	DJ61-00035B	HOLDER-HOSE	DEEP GRY	1		

\* A/S= ● : Service Available

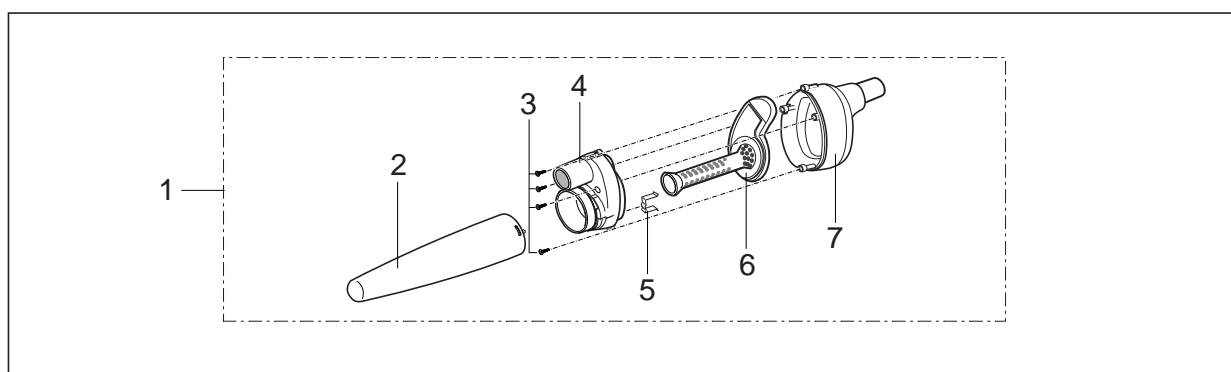
### 1-3. Assembly-Pipe



Location No.	Code No.	Description	Specification	Q'ty	A/S	Remarks
1A	DJ67-00100B	PIPE-T/STEEL ASSY	SPC1,ID35,L870/L550,	1	●	
1B	DJ67-50133A	PIPE-FRICTION	VC-5500,PP,DEEP GRY	2		SC4020

\* A/S= ● : Service Available

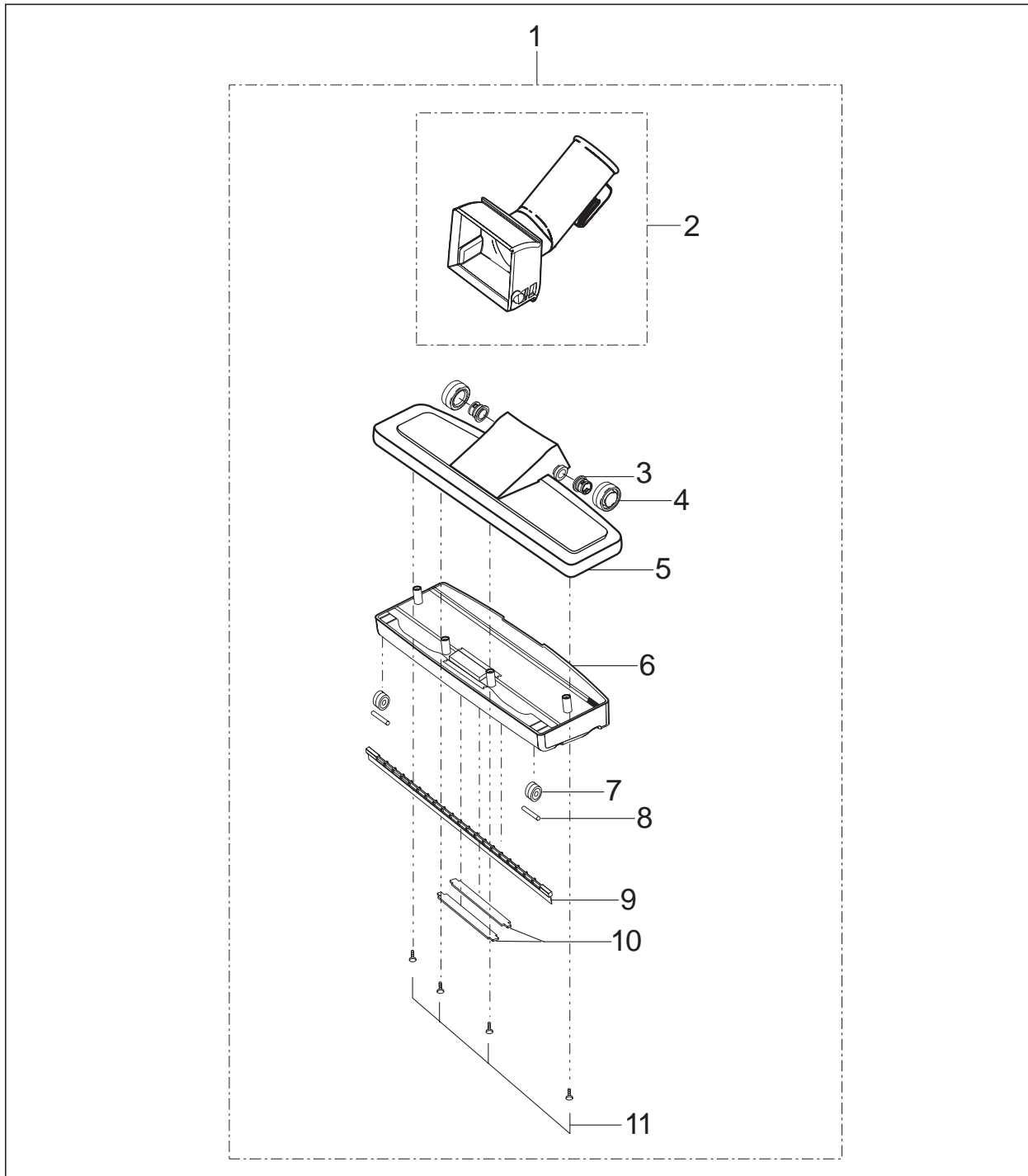
### 1-4. Assembly-Cyclone



Location No.	Code No.	Description	Specification	Q'ty	A/S	Remarks
1	DJ67-00055E	CASE-CYCLONE ASSY	ABS+PC,DEEP GRY+DEEP BLUE	1	●	
2	DJ67-00051F	CASE-CYCLONE	PC,DEEP BLUE,EXPORT	1	●	
3	6003-001050	SCREW-TAPTITE	PH,+2S,N4,L16,BLK	4		
4	DJ67-00053C	CASE-LOW	ABS,DEEP GRY,CYCLONE	1	●	
5	DJ61-00031A	SPRING ETC-PLATE	SUS,W6.4,L31,L31,T0.3	1		
6	DJ72-00027E	GRILLE-CYCLONE	ABS,DEEP GRY	1		
7	DJ67-00052C	CASE-UP	ABS,DEEP GRY,CYCLONE	1		

\* A/S= ● : Service Available

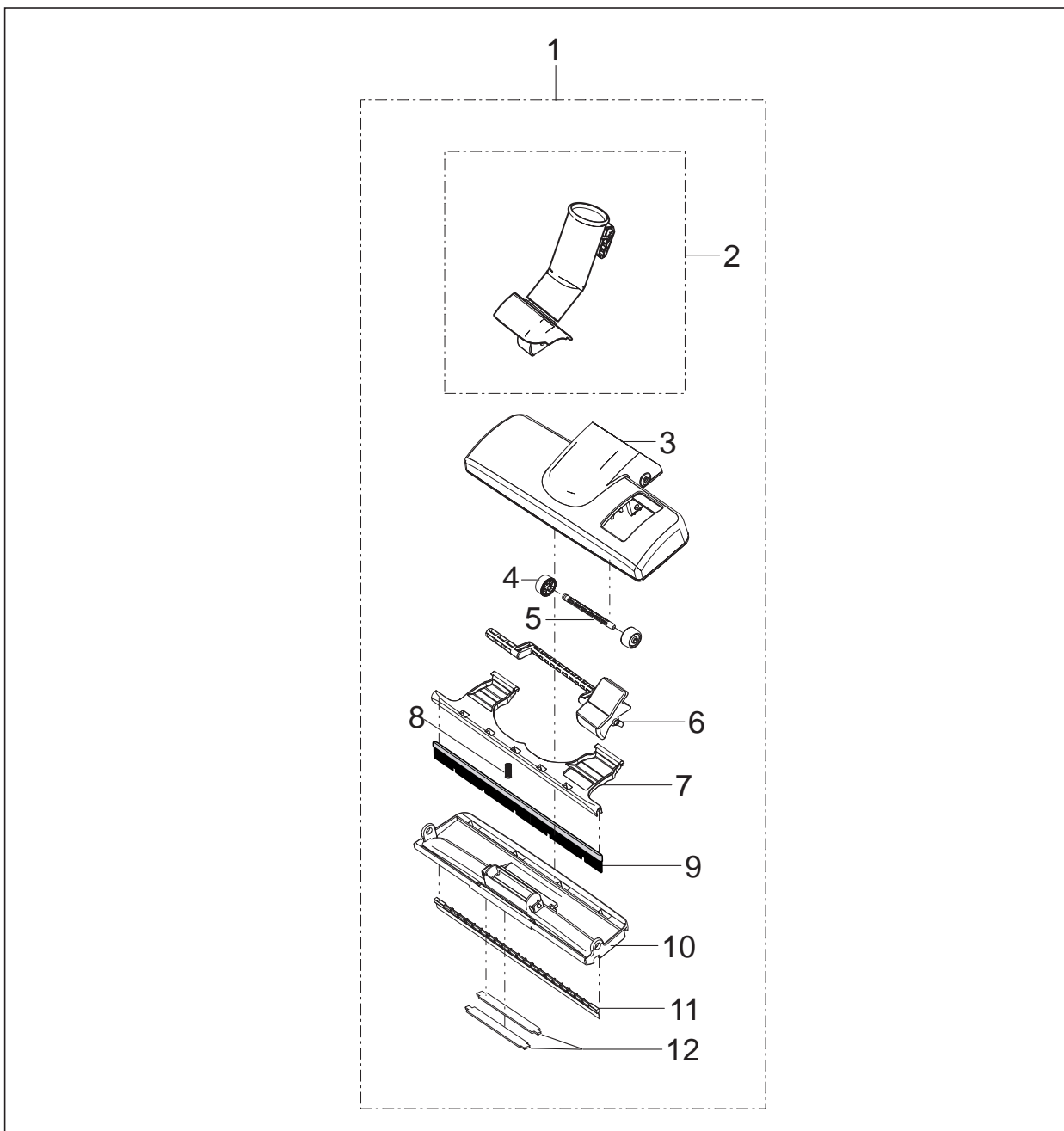
## 1-5. Assembly-Brush



Location No.	Code No.	Description	Specification	Q'ty	A/S	Remarks
1	DJ67-00271A	BRUSH-ASSY	DEEP GRY	1	●	
2	DJ93-10122A	ASSY PIPE C/BRUSH	DEEP GRY	1	●	
3	DJ61-00040A	FIXER-W/BRUSH	ABS,DEEP GRY	2		
4	DJ66-00026B	WHEEL BRUSH	PP,OD40	2		
5	DJ63-00255A	COVER BRUSH	PP,DEEP GRY	1		
6	DJ61-00438A	BODY BRUSH	PP,DEEP GRY	1		
7	DJ66-70165C	ROLLER-FRONT ASSY	POM/PVC,DEEP GRY,JI-160,VC-900	2	●	
8	DJ66-50143A	SHAFT ROLLER	POM,NTR	2		
9	DJ67-00264A	BRUSH NOZZLE	URETHAN,DEEP GRY	1		
10	DJ63-70117A	SPACER-BRUSH	ABS+WOOL,L88,T3,W7.8	2	●	
11	6003-001050	SCREW-TAPTITE	PH,+2S,M4,L16,BLK	4		

\* A/S= ● : Service Available

## 1-5. Assembly-Brush

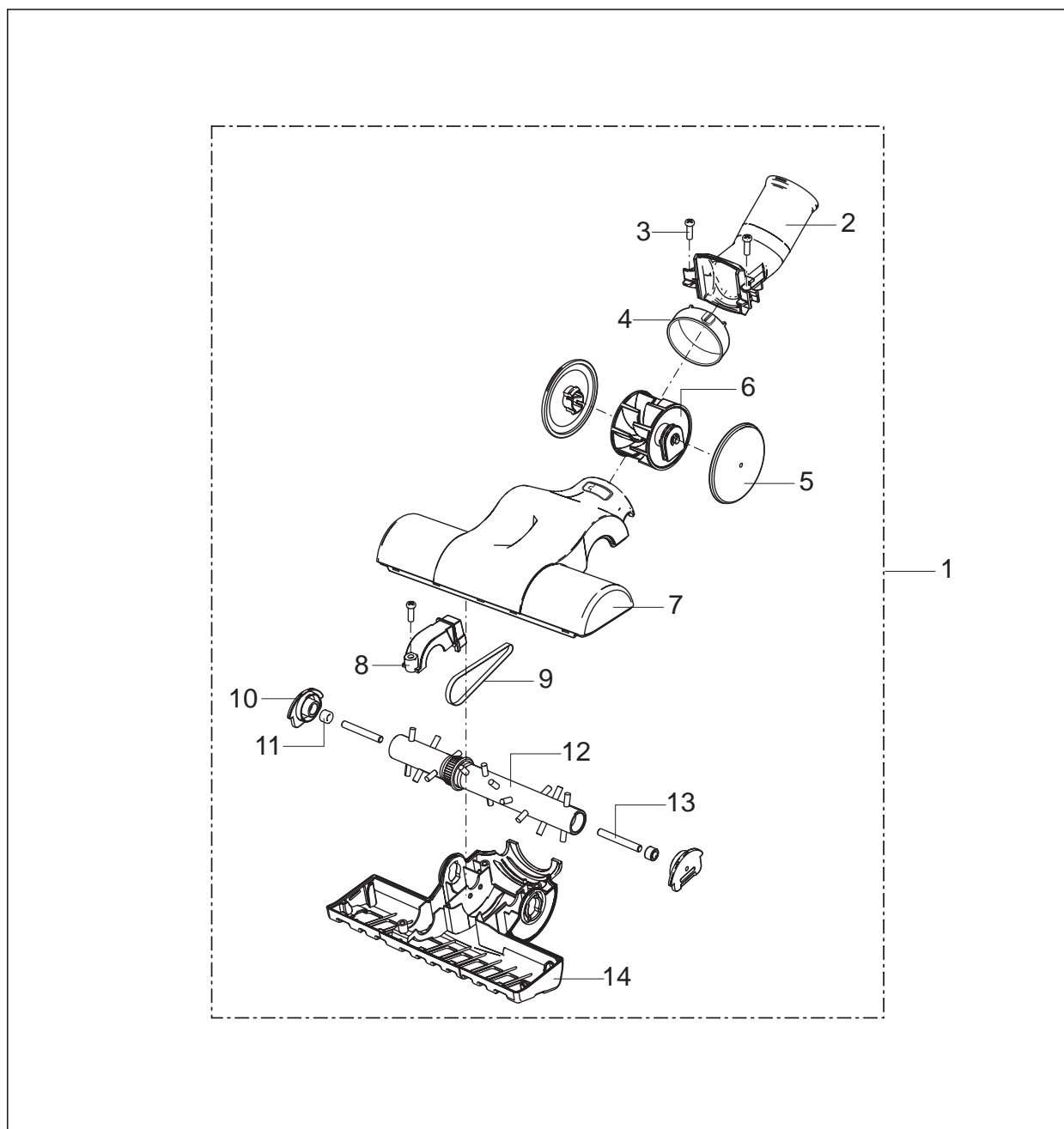


Location No.	Code No.	Description	Specification	Q'ty	A/S	Remarks
1	DJ97-00111A	ASSY-BRUSH	EPP-PJT	1	●	
2	DJ97-00114A	ASSY PIPE C/BRUSH	PP,DEEP GRY	1	●	
3	DJ63-00416A	COVER BRUSH	PP,W78.5,L257.4,DEEP GRY	1		
4	DJ66-00276A	WHEEL BRUSH	OD31.0,ID6.0,DEEP GRY	2		
5	DJ66-00277A	SHAFT WHEEL	POM,L75,OD5.8,DEEP GRY	1		
6	DJ66-00275A	LEVER-FOOT	ABS,L202,DEEP GRY	1		
7	DJ61-00731A	BASE BRUSH	PP,W62.5,L255.2,DEEP GRY	1		
8	DJ61-00447A	SPRING ETC-BUTTON	HSWR,CD0.5,ID4.6,L15	1	●	
9	DJ61-00733A	HOLDER-BRUSH	PP,W4.0,L253.0,DEEP GRY	1	●	
10	DJ61-00732A	BODY BRUSH	PP,L256,W67.4,DEEP GRY	1		
11	DJ67-00375A	BRUSH NOZZLE	URETAN,W13.3,L245,DEEP GRY	1	●	
12	DJ63-70117A	SPACER-BRUSH	ABS+WOOL,L88,T3,W7.8	2	●	

\* A/S= ● : Service Available



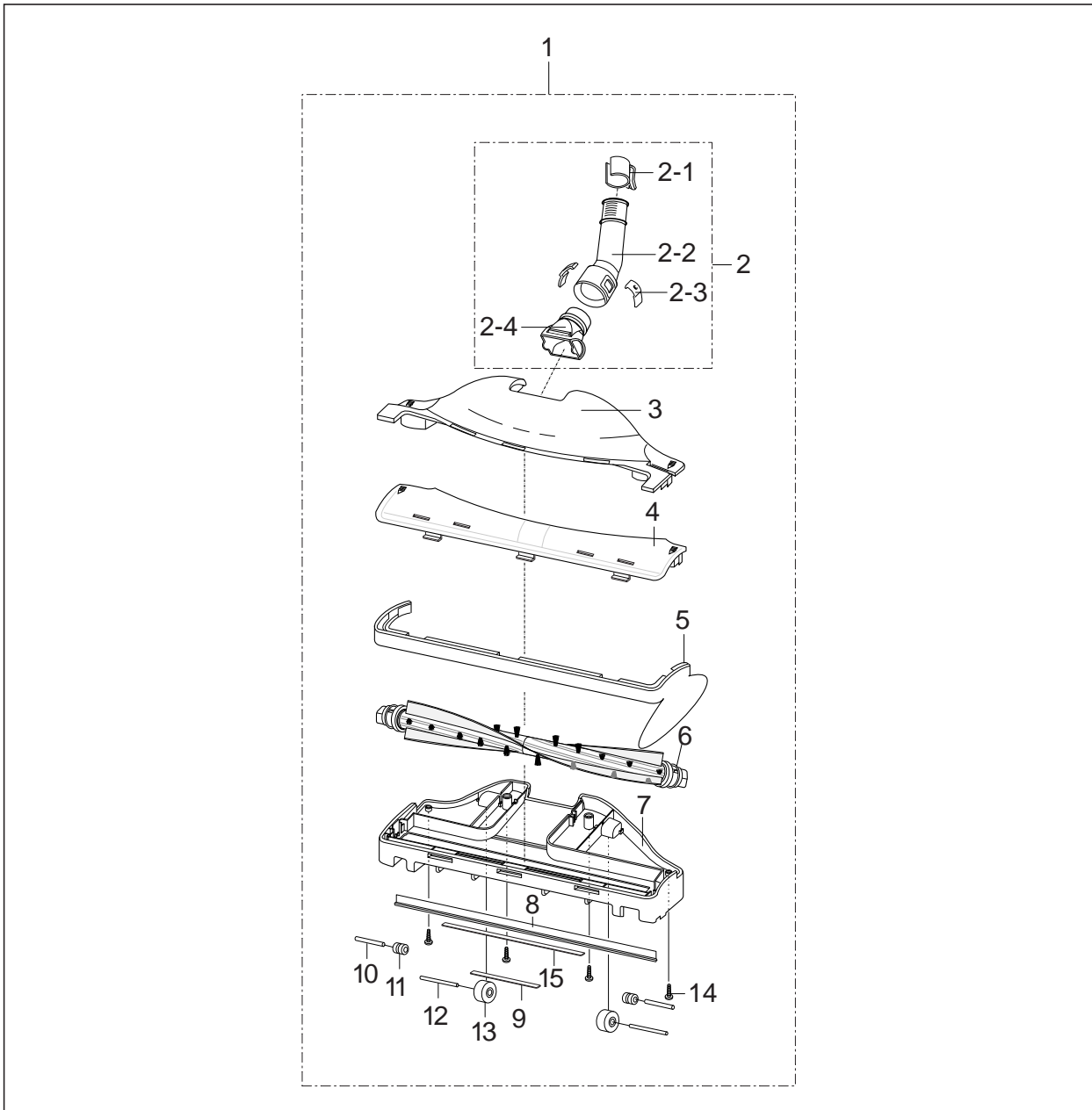
## 1-5. Assembly-Brush



Location No.	Code No.	Description	Specification	Q'ty	A/S	Remarks
1	DJ67-00298B	BRUSH-BLANKET ASSY	DEEP GRY, FRICTION	1	●	
2	DJ62-00090A	PIPE-C/BRUSH EX	ABS, DEEP GRY	1	●	
3	6002-000553	SCREW-TAPPING	PH+, 2S, M4, L12, ZPC(BLK)	3		
4	DJ64-00347B	KNOB-ROTARY	ABS, DEEP GRY	1		
5	DJ67-00283A	CAP-WHEEL	ABS, LIGHT GRY	2		
6	DJ66-00210A	SHAFT-TURBINE ASSY	L56, OD5, BED-BRU	1		
7	DJ63-00278A	COVER BRUSH	ABS, TRP(HG-0177)	1		
8	DJ63-00279A	COVER-BELT	ABS, LIGHT GRY	1		
9	6602-001222	BELT-TIMING GEAR	NBR, T1.38, Z82, L164, BLK	1	●	
10	DJ61-00488A	HOLDER-DRUM	POM, NTR	2		
11	6601-001242	BEARING-OILLESS	ID5, OD9, L6, SBK1218	2		
12	DJ66-00202A	DRUM BRUSH	PP+GF30%, ORG	1		
13	DJ66-00206A	SHAFT DRUM	SUM24L, L38, OD5	2	●	
14	DJ61-00487B	BODY BRUSH	ABS, DEEP GRY	1		

\* A/S= ● : Service Available

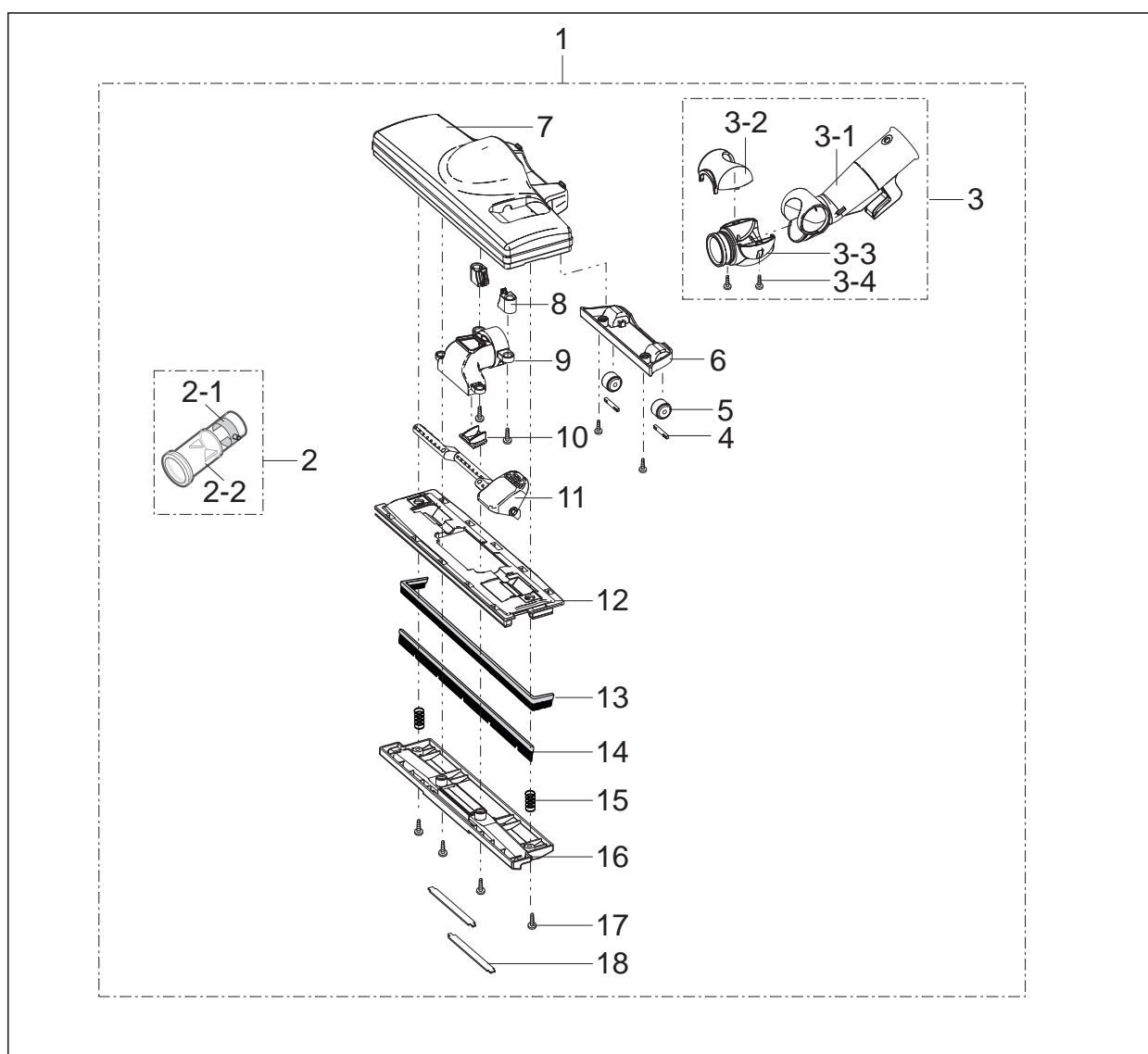
## 1-5. Assembly-Brush



Location No.	Code No.	Description	Specification	Q'ty	A/S	Remarks
1	DJ67-00171A	BRUSH-TURBINE ASSY	TB101, DEEP GRY	1	●	
2	DJ97-00053A	ASSY-PIPE C/BRUSH	ASSY, DEEP GRY, TB101	1	●	
2-1	DJ61-00161A	HANG ER-BRUSH	POM, DEEP GRY	1	●	
2-2	DJ62-00020A	PIPE-C/BRUSH	ABS, DEEP GRY	1		
2-3	DJ61-20118P	GUIDE-KEY	NYLON, DEEP GRY	2		
2-4	DJ61-60114C	NECK-HOLDER	ABS, DEEP GRY	1		
3	DJ72-30308B	COVER-BRUSH F	ABS, DEEP GRY	1	●	
4	DJ72-30309F	COVER-BRUSH B	ABS, DEEP GRY	1		
5	DJ72-40135B	BAND-BRUSH	PVC, DEEP GRY	1		
6	DJ66-00092A	DRUM-BRUSH ASSY	ASSY,OD16.2,L287	1	●	
7	DJ61-00160A	BODY-BRUSH	ABS, DEEP GRY	1		
8	DJ67-60118L	BRUSH-NOZZLE	ABS+URETHAN,BLK	1	●	
9	DJ63-70117A	SPACER-BRUSH	ABS+WOOL,L88,RED	1	●	
10	DJ70-30111A	SHAFT-ROLLER F	VC-6200,MSWR,L20.5,OD4	2		
11	DJ66-70163C	ROLLER-FRONT ASSY	POM+PVC,LIGHT GRY	2	●	
12	DJ70-30110A	SHAFT-ROLLER B	MSWR,L26,OD4	2		
13	DJ66-70100C	ROLLER-BACK ASSY	POM+PVC,LIGHT GRY	2	●	
14	6002-000553	SCREW-TAPTITE	PH,+,2S,M4,L12,ZPC(YELLOW)	4		
15	DJ60-00006A	SPACER-BRUSH	ABS+WOOL,RED,T2,W7.9 L219.7/L228.9	1		

\* A/S= ● : Service Available

## 1-5. Assembly-Brush



Location No.	Code No.	Description	Specification	Q'ty	A/S	Remarks
1	DJ67-00167C	BRUSH ASSY	DEEP GRY,DEEP BLUE,NB400	1	●	
2	DJ63-00063C	GUARD-PIPE ASSY	PC,TRP/DEEP BLUE,NB400	1	●	
2-1	DJ70-50104A	RING-CONNECTOR ASSY	MSWR10+STS301	1	●	
2-2	DJ72-00213B	GUARD-PIPE	PC,DEEP BLU/TRP	1		
3	DJ97-00049A	ASSY PIPE C/BRUSH	DEEP GRY/NB400/MAGIC	1	●	
3-1	DJ67-00119A	PIPE-C/BRUSH	PP,DEEP GRY,SMART BRUSH	1	●	
3-2	DJ72-00212A	COVER-NECK	ABS,DEEP GRY,SMART BRUSH	1	●	
3-3	DJ72-00211A	BODY-NECK	ABS,DEEP GRY,SMART BRUSH	1	●	
3-4	6002-000622	SCREW-TAPPING	PH,+,2S,M3,L10	2		
4	DJ70-30110A	SHAFT-ROLLER B	MSWR,L26,OD4	2		
5	DJ66-00078A	ROLLER-BRUSH ASSY	ASSY,D18,LIGHT GRY	2		
6	DJ61-00139A	HOLDER-ROLLER	PP,DEEP GRY	1		
7	DJ72-00208A	COVER BRUSH	PP,DEEP GRY	1	●	
8	DJ61-00106A	HOLDER-NECK	ABS,DEEP GRY	2		
9	DJ61-00105A	GUIDE AIR	ABS,DEEP GRY	1	●	
10	DJ67-00173A	CAP-AIR	ABS,DEEP GRY	1		
11	DJ66-00060A	LEVER-FOOT	ABS,DEEP GRY,NB400	1		
12	DJ67-00120A	BASE BRUSH	ABS,DEEP GRY	1	●	
13	DJ61-00158A	HOLDER-BRUSH B	SECC1-P+NYLON	1		
14	DJ61-00155A	HOLDER-BRUSH	SECC1-P+NYLON	1		
15	DJ61-70179A	SPRING ETC-BRUSH	HSWR	2		
16	DJ72-00207A	BODY BRUSH	POM,DEEP GRY	1	●	
17	6003-001050	SCREW-TAPTITE	PH,+,2S,M4,L16,BLK	8		
18	DJ63-70117A	SPACER-BRUSH	ABS+WOOL,L88,T3,W7.8	2		

\* A/S= ● : Service Available