



SAT 10/SAT 10S/SAT 550

SPECIFICATIONS

ACOUSTIC & ELECTRICAL SPECIFICATIONS:

- Nominal Impedance: 8 ohm
- Max Amp Power: 80W
- Frequency Response: 150 Hz – 20 kHz (± 3 dB) (10/550)
100 Hz – 15 kHz (± 3 dB) (10S)
- Sensitivity: 88 dB SPL, 1 Watt @ 1 Meter
- Crossover Frequency: 3.5 kHz (10/550)

SYSTEM COMPONENTS:

- Cabinet: SAT 10/10S/550 L,R (Not For Sale)
75131-01 BLK
75131-02 WHT
- Grille: 74860-05 3-1/2 in. (90mm)
Neodymium Magnet
DC Resistance: 4.7 ohm $\pm 5\%$
- Low Frequency Transducer: 75133-01 Titanium
Composite Dome
DC Resistance: 5.5 ohm $\pm 10\%$
- High Frequency Transducer: SAT 10 331167-001
SAT 10S 330991-001
SAT 550 332307-001
- Crossover Network:

AURAL SWEEP TEST SPECIFICATIONS:

- A. System Aural Sweep Test: 5.0V Input, 10 Hz to 20 kHz
- B. L.F. Aural Sweep Test: 5.0V Input, 10 Hz to 10 kHz
- C. H.F. Aural Sweep Test: 3.0V Input, 1 kHz to 20 kHz

PHYSICAL SPECIFICATIONS:

- Enclosure Dimensions: 6.5 x 3.75 x 4.25 in. D
(165mm x 95mm x 108mm D)

SHIPPING WEIGHT:

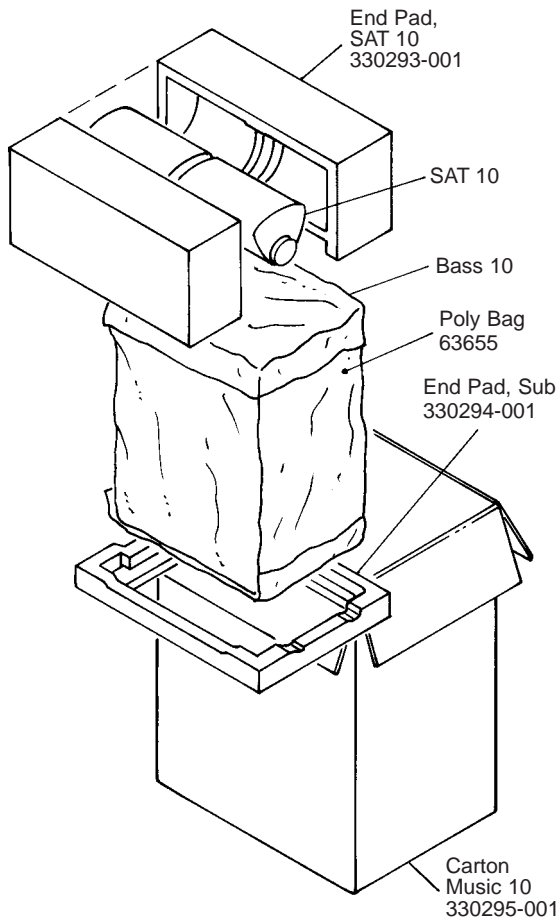
See Package Drawing

WARRANTY INFORMATION:

- Refer to the Warranty Statement packed with each product.

PACKAGE MUSIC 10

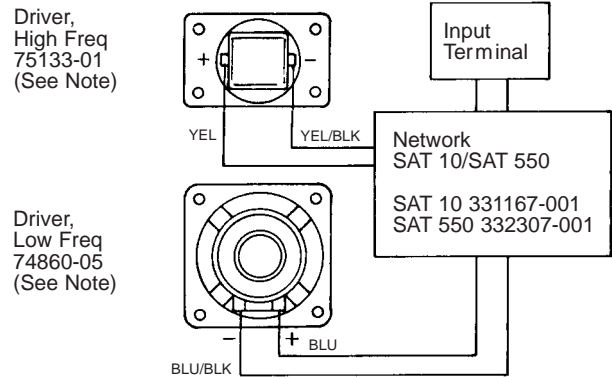
Warranty N76310
Owner's Manual 330258-003
Survey Card 331384-001



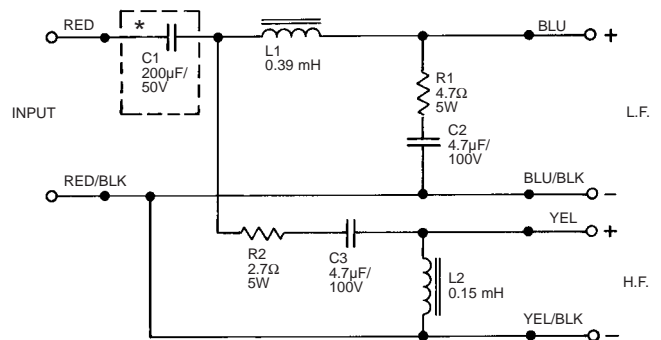
NOTE: SAT 10 IS PART OF THE MUSIC 10 AND MUSIC 15 SYSTEMS.
SAT 10/10S ARE PART OF THE SCS110 AND MOVIES 10 SYSTEMS.
SAT 10S/550 ARE PART OF THE ESC550 SYSTEM.

WIRING DIAGRAM

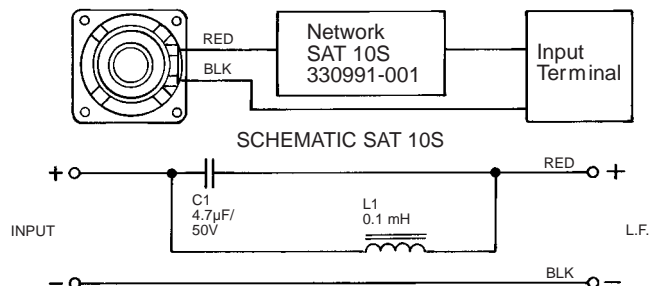
SAT 10/550



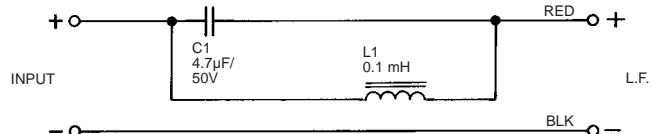
SCHEMATIC SAT 10/550



WIRING DIAGRAM SAT 10S



SCHEMATIC SAT 10S



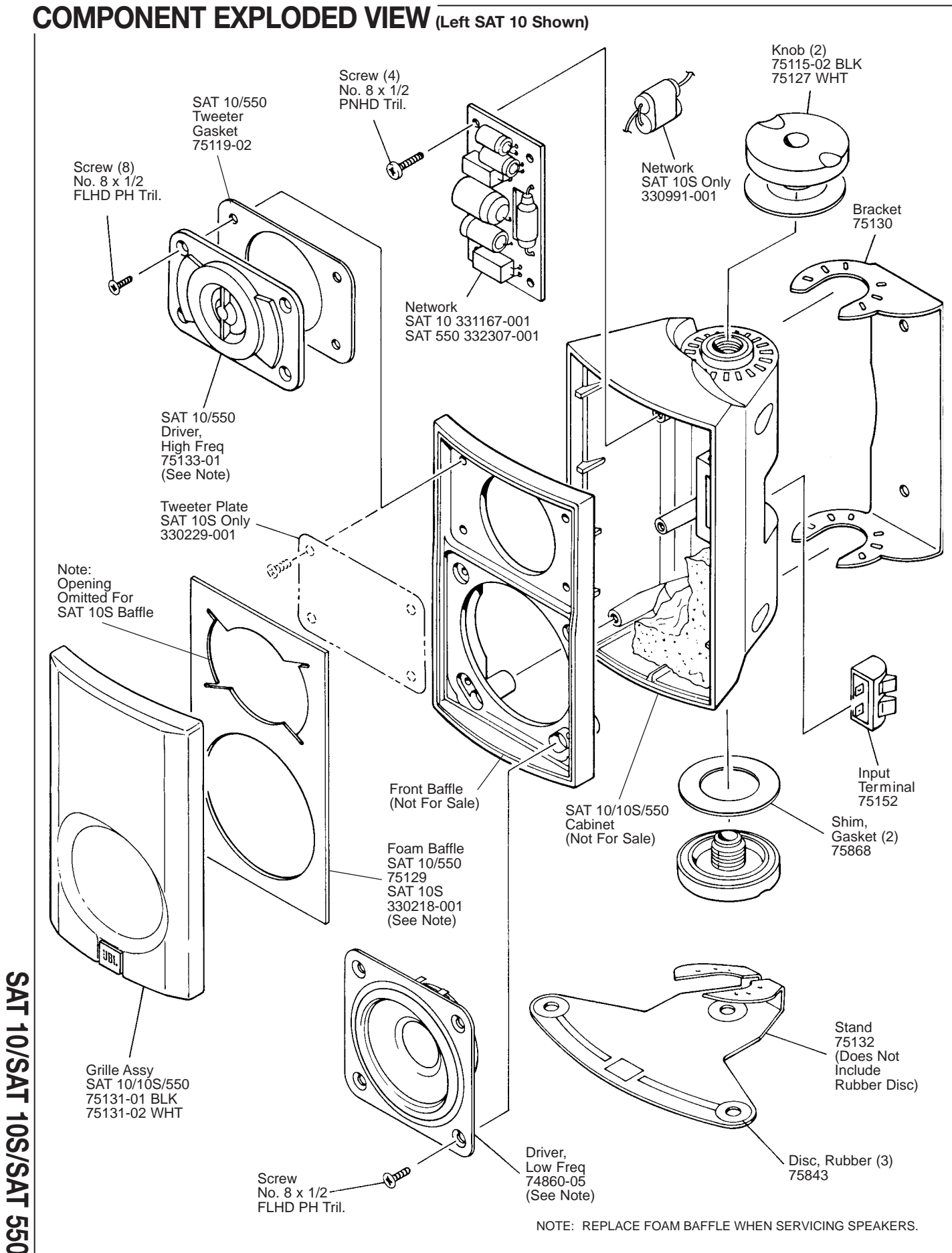
* C1 PRESENT ONLY ON SAT 10

NOTE: REPLACE FOAM Baffle WHEN SERVICING SPEAKERS. CONE/DIAPHRAGM KIT NOT AVAILABLE. DEFECTIVE SPEAKER SHOULD BE REPLACED.

SAT 10/SAT 10S/SAT 550

SAT 10/SAT 10S/SAT 550

COMPONENT EXPLODED VIEW (Left SAT 10 Shown)



NOTE: REPLACE FOAM BAFFLE WHEN SERVICING SPEAKERS.

SAT 10/SAT 10S/SAT 550