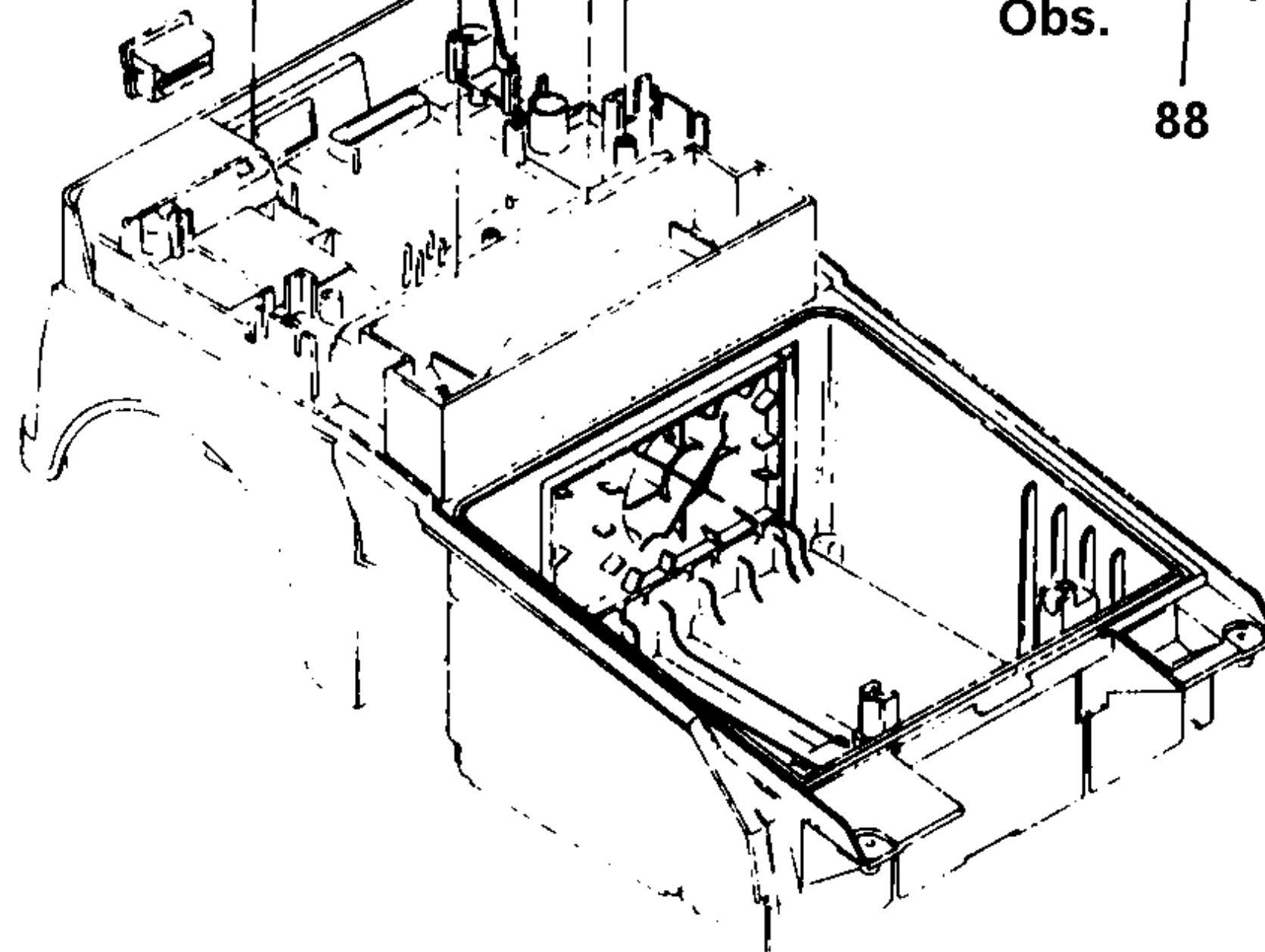
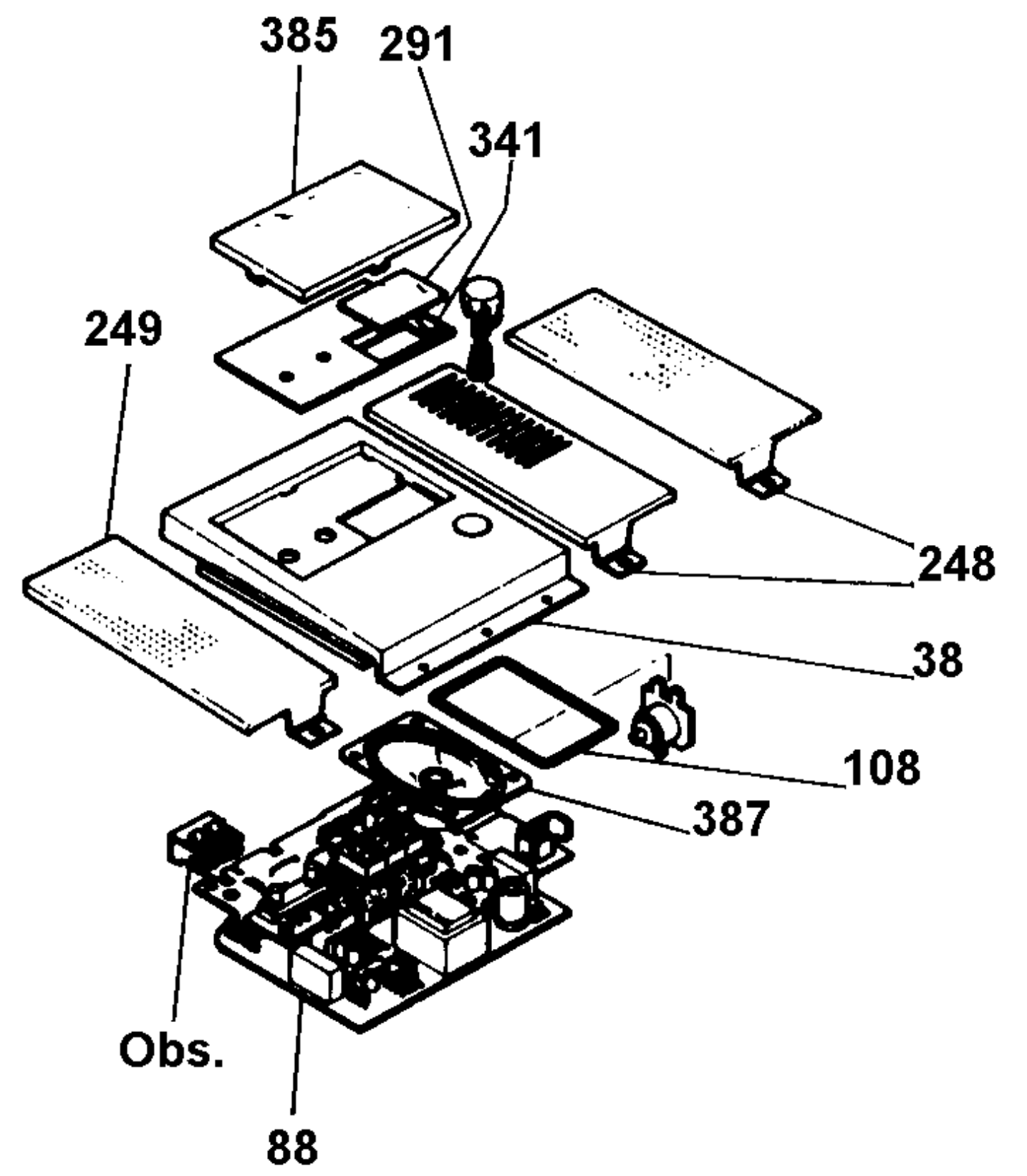
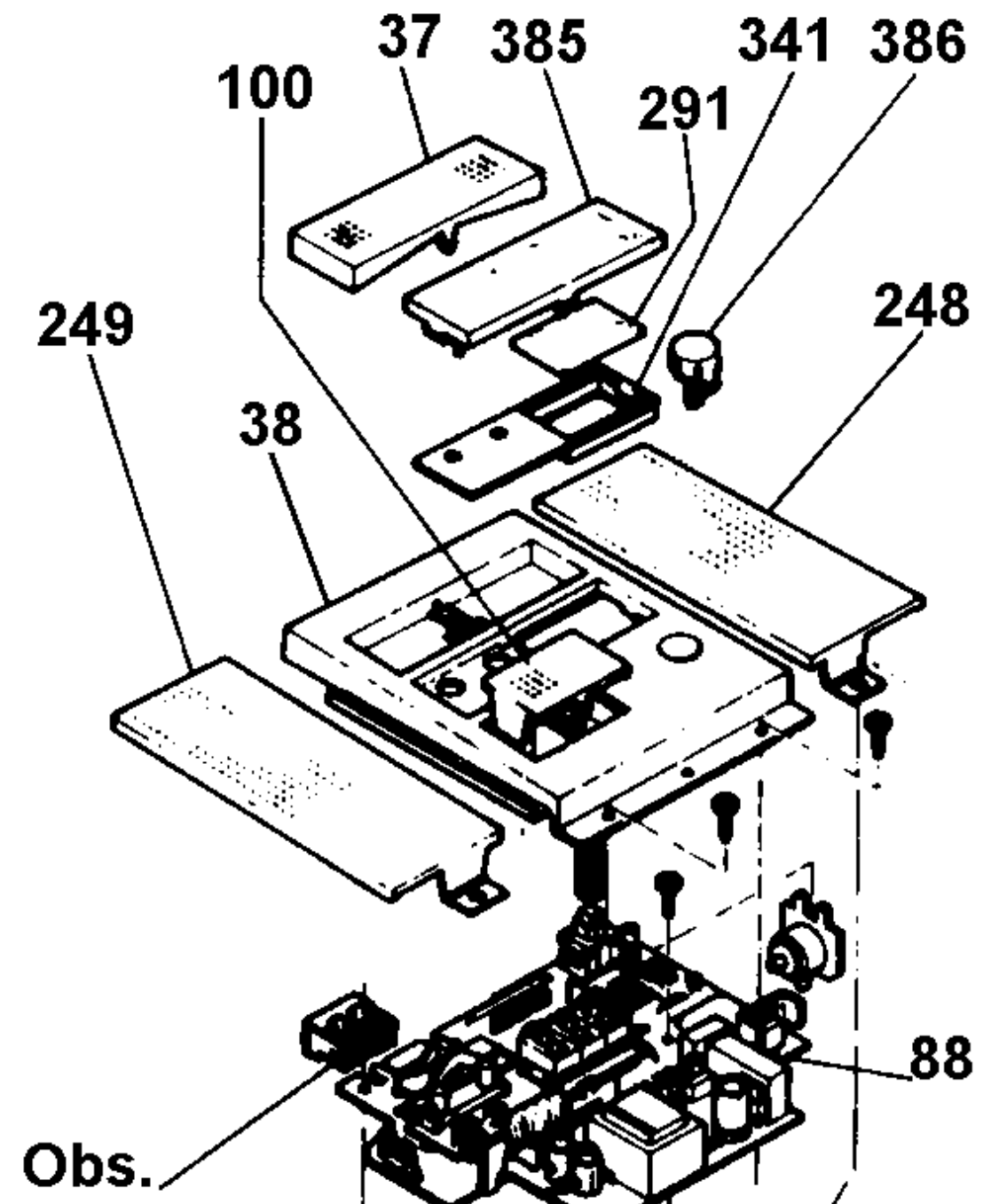
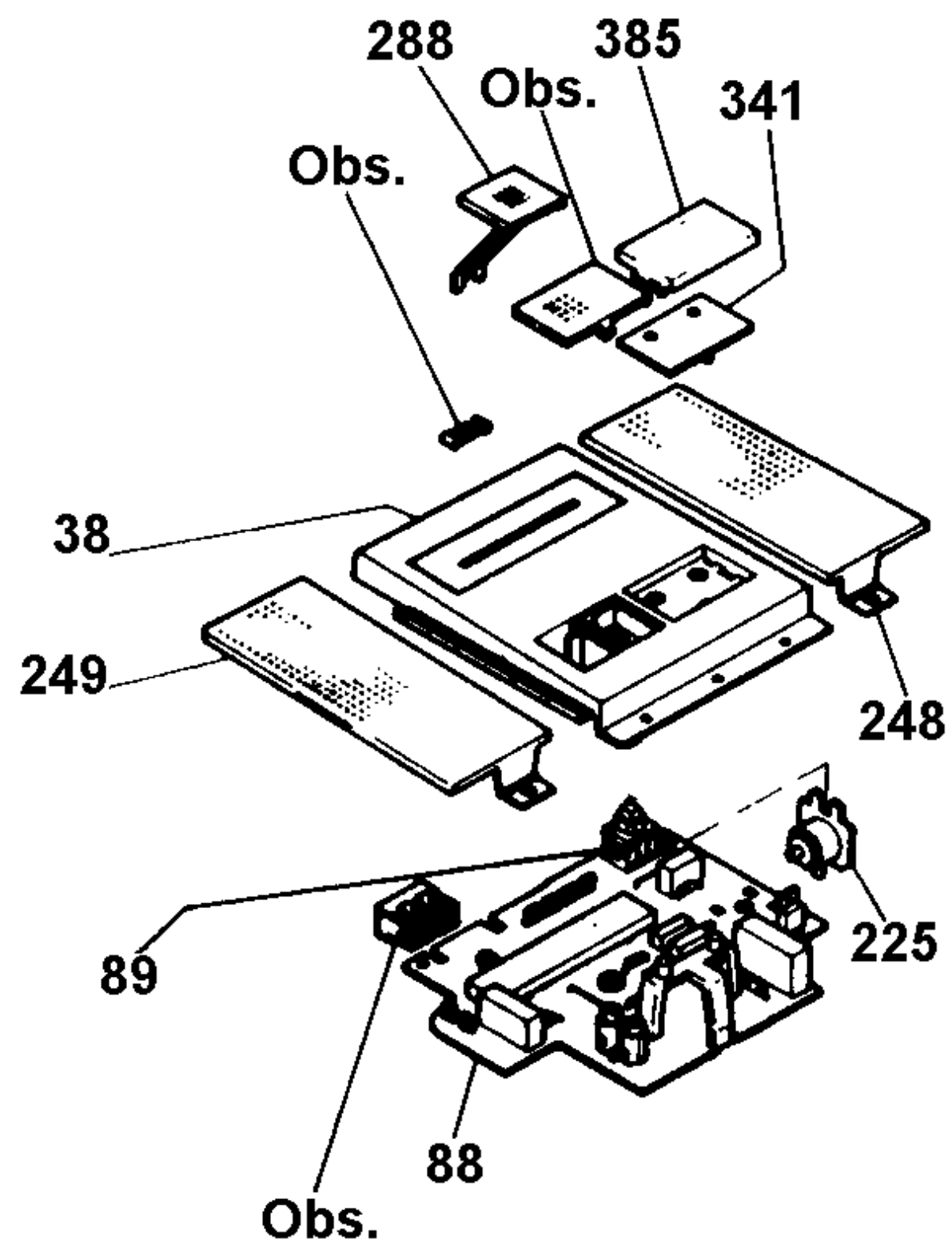
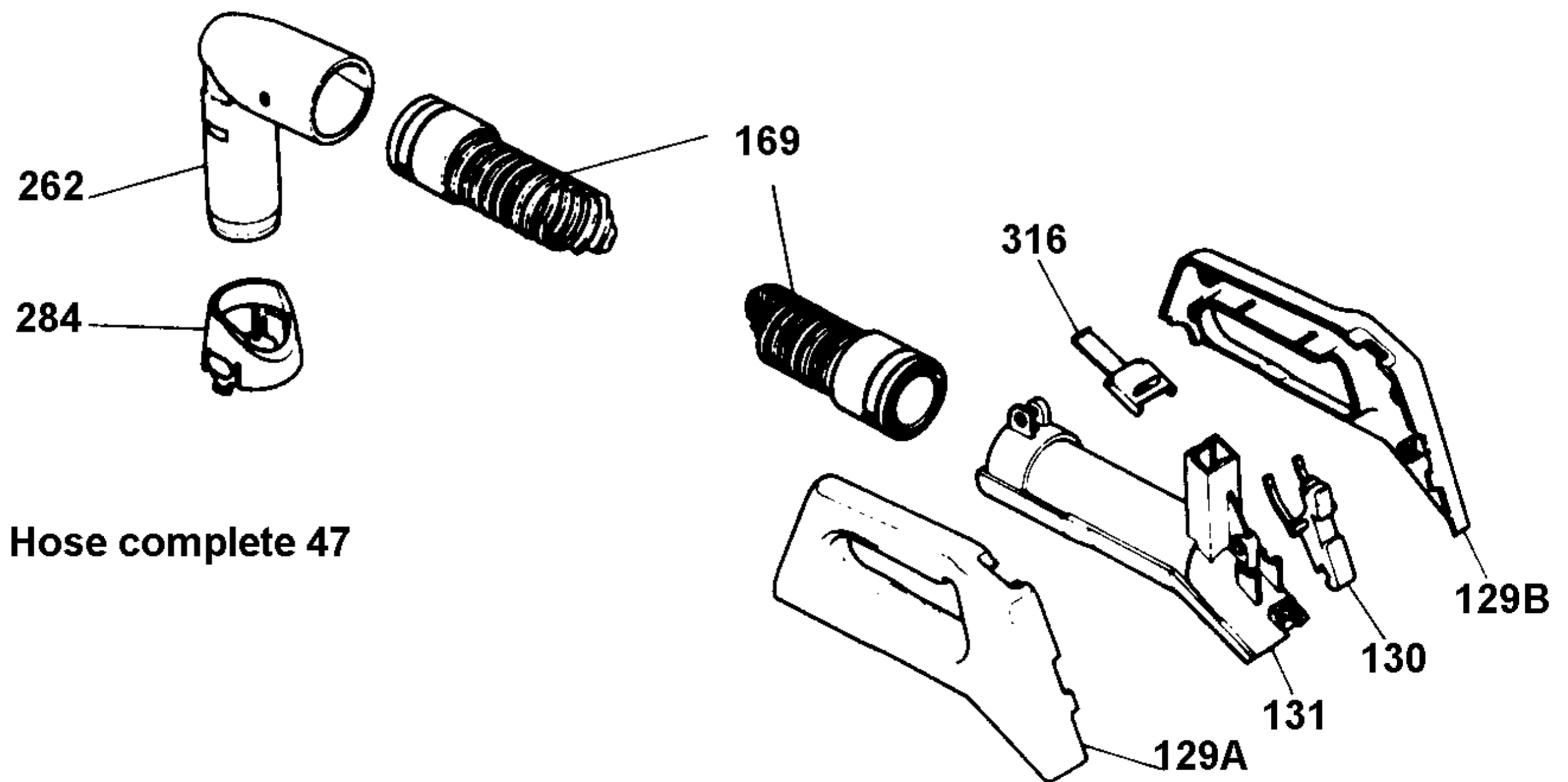
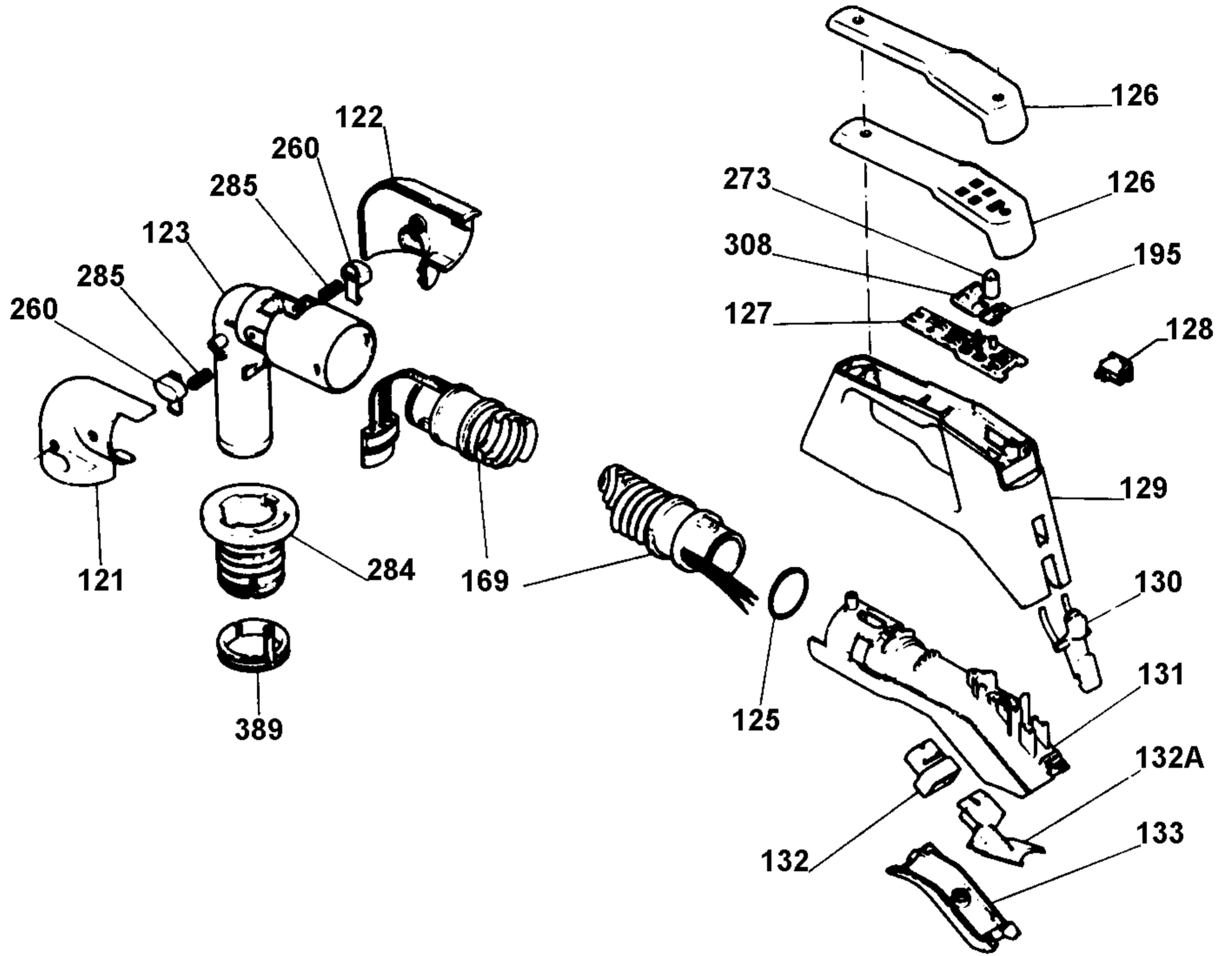


MOTOR COMPLETE **2**

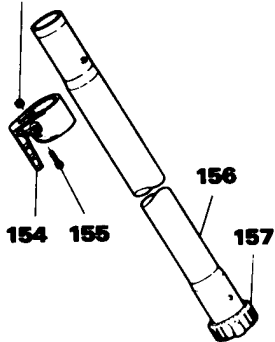


Hose Complete 47



Hose complete 47

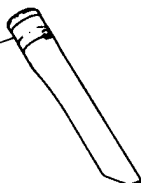
153



158



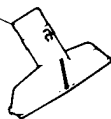
159



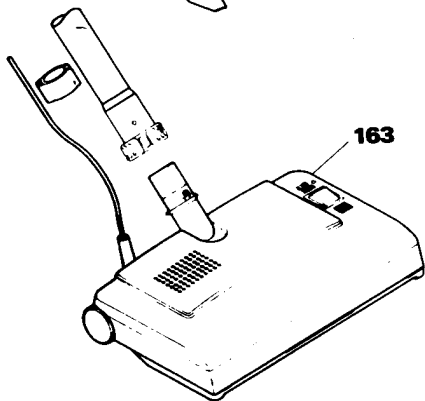
160



161



163



162

