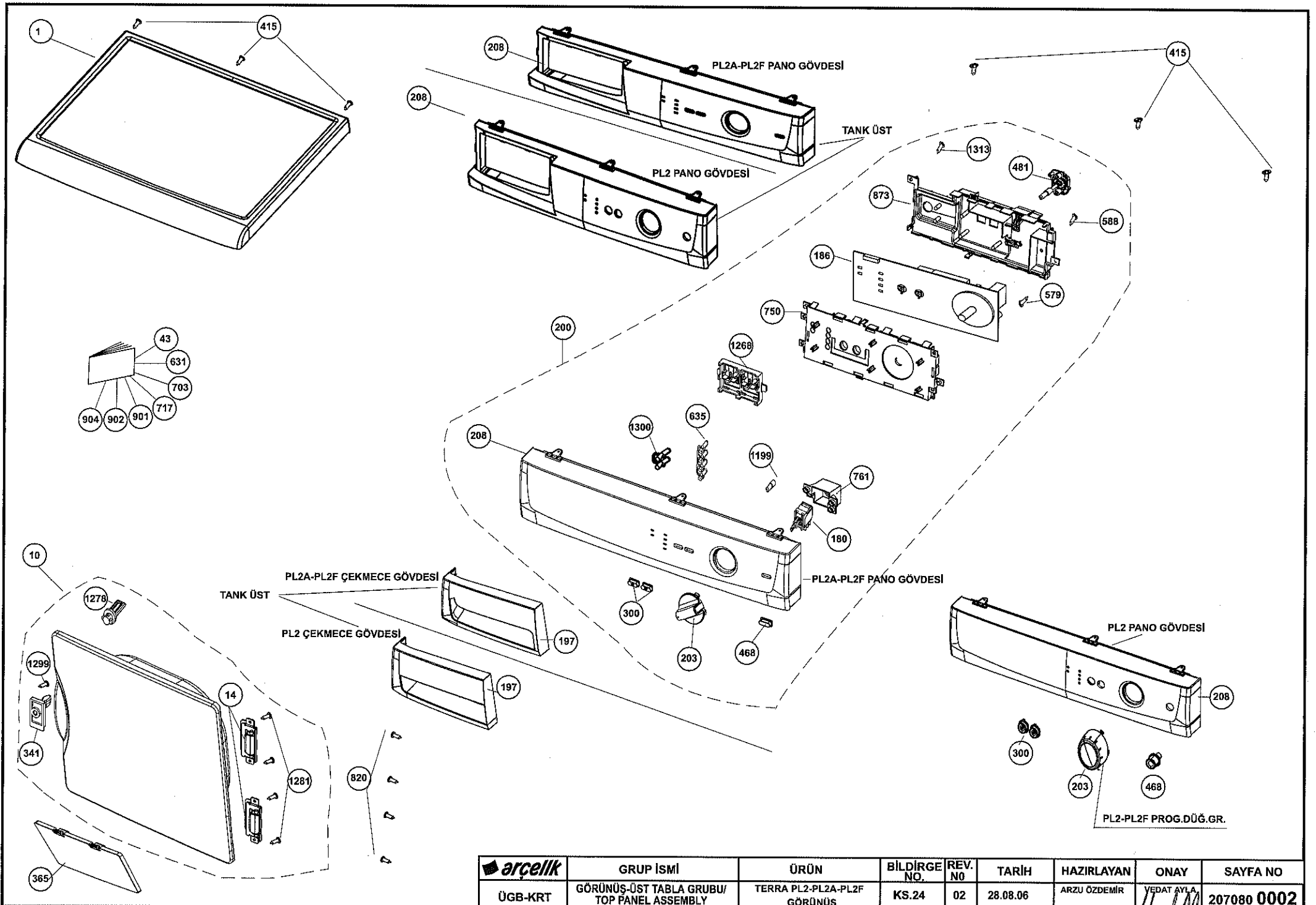


arçelik	GRUP İSMİ	ÜRÜN	BİLDİRGE NO.	REV. NO	TARİH	HAZIRLAYAN	ONAY	SAYFA NO
ÜGB-KRT	GÖVDE VE KURUTMA SİSTEMİ HOUSING DRYING SYSTEM	TERRA KONDENSERLİ KURUTUCU -CONDENSER DRYER	KS.26	05	28.09.06	ARZU ÖZDEMİR	YEDAT AYLA	207050 0004



arçelik	GRUP İSMİ	ÜRÜN	BİLDİRGE NO.	REV. NO	TARİH	HAZIRLAYAN	ONAY	SAYFA NO
ÜGB-KRT	GÖRÜNÜŞ-ÜST TABLA GRUBU/ TOP PANEL ASSEMBLY	TERRA PL2-PL2A-PL2F GÖRÜNÜŞ	KS.24	02	28.08.06	ARZU ÖZDEMİR	VEDAT AYLA <i>[Signature]</i>	207080 0002

## FAR S1562

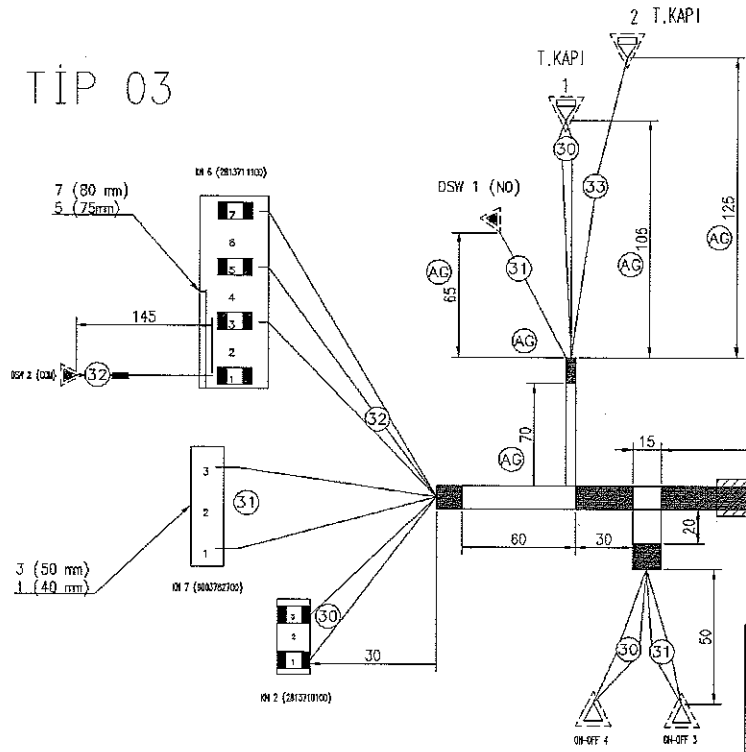
0001	2962400100	DESSUS S1562	928804
0006	2962600200	CARROSSERIE S1562	928804
0010	2958100100	PORTE COMPLETE DV1160	928804
0014	2958700100	CHARNIERE DE PORTE DV1160	928804
0014	2961900100	DOOR HINGE ASSEMBY	928804
0018	2950480100	PIED REGLABLE TKF1330A	928804
0030	9001230100	PLASTIC CLAMP	928804
0033	9001230200	COLLIER CV210RF/RRN2260A EX0300	928804
0043	2960310040	USER'S MANUAL	928804
0048	2958000300	TAMBOUR S1562	928804
0059	2953240100	COURROIE DV1160	928804
0063	2964400100	MOTEUR S1562	928804
0065	2957500300	RESISTANCE S1562	928804
0140	9003270100	VIS 12600 / WM801 EX/9001430000	928804
0154	130500120	RONDELLE FIL MASSE ARDEM320HCA	928804
0162	1883880100	FILTRE ANTI PARASITE V1746530100	928804
0165	9001590100	SERRE CABLE BF470 WM2356D	928804
0166	2957000300	CABLAGE S1562	928804
0169	2954200400	CORDON D'ALIMENTATION DV1160	928804
0180	2201921500	INTERRUPTEUR M/A DV1160	928804
0186	2953630202	MODULE S1562ø	928804
0189	9001590200	SERRE CABLAGE	928804
0200	2963909008	BANDEAU COMPLET S1562	928804
0203	2963200100	MANETTE DE PROGRAMMATEUR S1562	928804
0208	2958489016	BANDEAU SEUL S1562	928804
0300	2815750100	BOUTON DE FONCTION L6500	928804
0302	130200530	RONDELLE S1562	928804
0341	2957150100	CROCHET DE PORTE	928804
0365	2958110100	PLINTHE	928804
0403	2800290100	PIED ARRIERE 10600/BLF1010/WM801	928804
0415	9003610100	SCREW (B4.2*9.5-TIRTILLI)	928804
0468	2953670100	BOUTON M/A S1562	928804
0479	9003270600	VIS 10600 EX/9003720600	928804
0481	2959000100	POTENTIOMETRE DV1160	928804
0486	9003270500	VIS WM5552T WM5554T L67100	928804
0579	2705810100	VIS WM5552T WM5554T L67100	928804
0583	2705870100	SUPPORT CABLE LL600THN/12600	928804
0584	2957320100	AUBE DE TAMBOUR DV1160 BSLE06	928804
0588	9003270400	VIS 11600/WMB6506/12600/WM801	928804
0635	2958590100	DIFFUSEUR DE LUMIERE S1562	928804
0645	9003610300	VIS WMD26100T L67100	928804
0653	2807960400	CONDENSATEUR 8MF TKF1330A	928804
0658	9003860200	VIS WMD56120	928804
0696	9003270900	PT SCREW 4*10	928804
0750	2957570100	CAPOT AVANT DV1160 BSLE06	928804
0761	2960020200	SUPPORT INTERRUPTEUR M/A S1562	928804
0820	2817910100	VIS	928804
0826	2958300200	CAPOT ARRIERE DE RESISTANCE S156	928804
0834	2951900100	PALIER ARRIERE TKF1330A	928804
0842	2960190100	ATTACHE CABLE DV1560X	928804
0843	2957910100	BAC RECUPERATEUR D'EAU S1562	928804
0844	2958330100	BOUCHON DE BAC RECUPERATEUR S156	928804
0846	2958090100	VERROUILLAGE CONDENSEUR S1562	928804
0847	2961300100	ENVELOPPE DE CONDENSEUR BSLC826	928804

0861	2957350100 FEUTRE AVANT DV1160	928804
0867	2957420100 CACHE VERROU	928804
0868	2957340100 CACHE CHARNIERE DV1160	928804
0873	2957560100 CAPOT ARRIERE DE MODULE DV1160	928804
0887	2958410100 GRILLE ARRIERE D'EVACUATION S156	928804
0888	2951060200 COMMUTATEUR	928804
0912	2952310500 SINGLE ADHESIVE FOAM	928804
0914	2952310800 JOINT EN MOUSSE DCU1560X	928804
0921	2960800100 CONDENSEUR S1562	928804
0925	2953450200 THERMOSTAT S1562	928804
0970	2951580200 VIS TKF1330A	928804
0971	2951610200 VIS TKF1350A	928804
0976	2951620100 PATIN DE PIED TKF1330A	928804
0983	2951660300 JOINT DE MOTEUR S1562	928804
0985	2954700100 COMMUTATEUR ANTIDEBORDEMENT	928804
1045	160200200 CLIPS TKF1350S	928804
1046	2957400200 PANNEAU ARRIERE COMPLET S1562	928804
1085	2957490100 BRIDE AVANT MOTEUR DV1160	928804
1199	2957880100 SUPPORT INTERRUPTEUR DV1160	928804
1202	2707730100 VIS PLASTIQUE 3*6 DV1160	928804
1204	2951580300 VIS DV1160	928804
1205	2707730200 VIS PLASTIQUE 2*30 DV1160	928804
1209	2957700100 VERROUILLAGE DV1160	928804
1214	9003271500 VIS PLASTIQUE DV1560X	928804
1219	2962200100 JOINT ARRIERE DV1160	928804
1221	2957060100 SUPPORT MOTEUR DV1160	928804
1228	2960303600 CABLE ASS S1562	928804
1236	2952010100 PATIN DE TAMBOUR DV1160	928804
1237	2953320100 CAPOT DE PATIN TAMBOUR DV1160	928804
1240	2953510100 JOINT S1562	928804
1241	2953520100 JOINT S1562	928804
1242	2958440100 SUPPORT COMMUTATEUR	928804
1243	2958460100 GUIDE D'AIR S1562	928804
1244	2958030100 COUVERCLE DE FILTRE S1562	928804
1245	2960760100 BOITIER POMPE	928804
1247	9002880120 VIS DV1160	928804
1248	2960910100 POMP HOLDER SEALING	928804
1250	2957940100 SUPPORT S1562	928804
1254	2953760300 JOINT S1562	928804
1256	2957800300 SUPPORT TAMBOUR S1562/BSLE06	928804
1257	2958500100 FILTRE DROIT DV1160	928804
1258	2958600100 FILTRE GAUCHE DV1160	928804
1259	2958400100 FILTRE A PELUCHES	928804
1260	2956070100 FLOTTEUR S1562	928804
1261	2953770100 JOINT S1562	928804
1263	2953770400 JOINT S1562	928804
1264	2953740200 JOINT EN MOUSSE S1562	928804
1267	2953770500 JOINT S1562	928804
1268	2958610100 DIFFUSEUR DE LUMIERE S1562	928804
1269	2958010100 CAPOT DE TURBINE S1562	928804
1270	2958430100 GACHETTE DE MICROCONTACT	928804
1271	2960700100 GUIDE D'AIR S1562	928804
1272	2960220100 VIS M4*10 TT TC PHIL	928804
1273	2951040100 ATTACHE CORDON DV1160	928804
1274	3002160100 RACCORD S1562	928804
1275	3001970100 AXE DE RESSORT S1562	928804

1276	3001400100	RESSORT S1562	928804
1278	2957470100	AXE MICRO-INTERRUPTEUR DV1160	928804
1280	2957820100	RESSORT INTERRUPTEUR DV1160	928804
1282	2960270100	JOINT S1562	928804
1287	2960150100	BUTEE DV1160	928804
1288	2953770300	JOINT S1562	928804
1289	2957180200	PLAQUE S1562	928804
1290	2960640100	JOINT DE PORTE	928804
1292	2953470100	SUPPORT S1562	928804
1299	9002900100	VIS (PT-4X9,5) DV1160	928804
1300	2958580100	DIFFUSEUR DE LUMIERE S1562	928804
1308	2951260400	DURITE S1562	928804
1313	2705810300	VIS (3,5*8)	928804
1314	2958470100	GUIDE D'AIR S1562	928804
1319	2960180100	RESSORT S1562	928804
1323	2960240100	BOULON M6X12	928804
1324	9003860300	VIS WMD56120S	928804
1328	2953740300	JOINT S1562	928804
1330	101301020	VIS S1562	928804
1356	2953740400	JOINT BSLE06	928804
1361	2002370900	COLLIER DURITE LV2040	928804
1364	2960370100	PROTECTION DE CABLE BSLE06	928804
1365	2953740100	JOINT EN MOUSSE S1562	928804
1373	2953740500	SINGLE ADHESÝNE EPDM FOAM.	928804
1374	2953760400	SINGLE ADHESÝNE PE FOAM.	928804
1377	2965200100	MAIN CABLE ASSEMBLY	928804
1399	2960680100	NTC-THERMAL CUT OFF RUBBER	928804
1421	9003271700	PT SCREW 4*14	928804

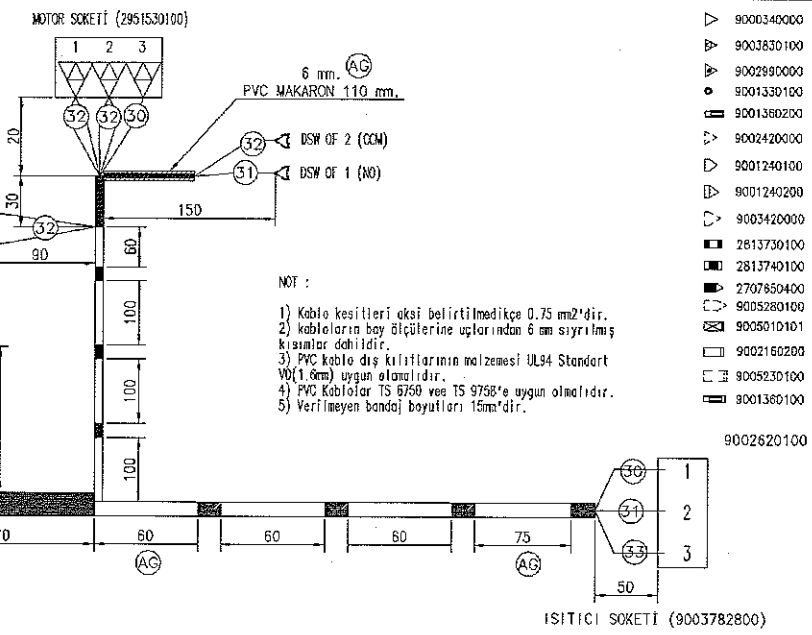
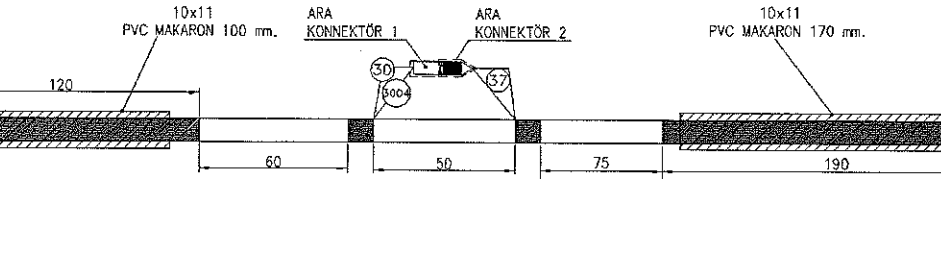
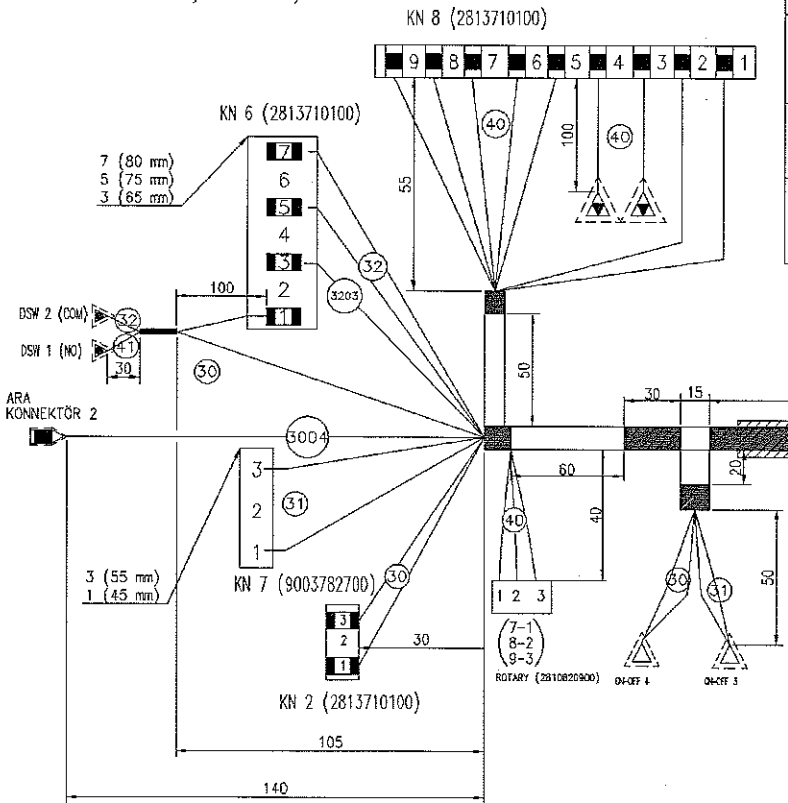


### TİP 03



06	05	04	03	02	01	REF	YERİ VE RENGİ	06	05	04	03	02	01	REF	YERİ VE RENGİ	
				*	*	3000	(KN2.1 - ON/OFF 4) MOR-SARI (ON/OFF 4 - T.KAPI 1) 1,50 mm <sup>2</sup> KIRMIZI (T.KAPI 1 - MOTOR 3) KAHVE-BEYAZ (KN2.3 - ISITICI KONNEKTÖR 1) SİYAH-BEYAZ							*	3300	(T.KAPI 2 - ISITICI 3) 1,50 mm <sup>2</sup> TURUNCU
		*	*	*	*	3001	(KN2.1 - ON/OFF 4) MOR-SARI (ON/OFF 4 - ARA KONNEKTÖR 1) 1,50 mm <sup>2</sup> TURUNCU (KN2.3 - ISITICI KONNEKTÖR 1) SİYAH-BEYAZ			*	*	*	*	*	3301	(T.KAPI 2 - ISITICI 3) 1,50 mm <sup>2</sup> TURUNCU
			*	*	*	3002	(KN2.1 - ON/OFF 4) MOR-SARI (ON/OFF 4 - T.KAPI 1) 1,50 mm <sup>2</sup> KIRMIZI (T.KAPI 1 - MOTOR 3) KAHVE-BEYAZ (KN2.3 - ISITICI KONNEKTÖR 1) SİYAH-BEYAZ			*	*			*	3400	FİLTRE 1 - ON/OFF 1) 1,50 mm <sup>2</sup> GRİ
		*	*	*	*	3004	(KN2.1 - ON/OFF 4) MOR-SARI (ON/OFF 4 - ARA KONNEKTÖR 1) 1,50 mm <sup>2</sup> TURUNCU (ARA KON. 1-ARA KON. 1) 0,50 mm <sup>2</sup> BEYAZ (KN2.3 - ISITICI KONNEKTÖR 1) SİYAH-BEYAZ			*	*			AG	3401	FİLTRE 2 - ON/OFF 2) 1,50 mm <sup>2</sup> GRİ
		*	*	*	*	3100	(KN7.1 - ON/OFF 3) 1,50 mm <sup>2</sup> KIRMIZI (ON/OFF 3 - DSW NO) YEŞİL-KIRMIZI (KN7.3 - ISITICI KONNEKTÖR 2) 1,50 mm <sup>2</sup> GRİ						*	*	4000	(KN 8.9 - ROTARY 3) 0,35 mm <sup>2</sup> MAVİ (KN 8.8 - ROTARY 2) 0,35 mm <sup>2</sup> GRİ (KN 8.7 - ROTARY 1) 0,35 mm <sup>2</sup> BEYAZ (KN 8.6 - ARA KONN. 3.1) 0,35 mm <sup>2</sup> SİYAH (KN 8.5 - ARA KONN. 3.2) 0,35 mm <sup>2</sup> SİYAH (KN 8.4 - NTC 1) 0,35 mm <sup>2</sup> TURUNCU (KN 8.3 - NTC 2) 0,35 mm <sup>2</sup> TURUNCU
		*	*	*	*	3101	(KN7.1 - ON/OFF 3) 1,50 mm <sup>2</sup> KIRMIZI (ON/OFF 3 - DSW KON. DSW) YEŞİL-KIRMIZI (DSW KON. DSW-DSW OF NO) 0,75 mm <sup>2</sup> PEMBE-SİYAH (KN7.3 - ISITICI KONNEKTÖR 2) 1,50 mm <sup>2</sup> GRİ			*	*			*	4001	(KN 8.9 - ROTARY 3) 0,35 mm <sup>2</sup> MAVİ (KN 8.8 - ROTARY 2) 0,35 mm <sup>2</sup> GRİ (KN 8.7 - ROTARY 1) 0,35 mm <sup>2</sup> BEYAZ (KN 8.6 - ARA KONN. 3.1) 0,35 mm <sup>2</sup> SİYAH (KN 8.5 - ARA KONN. 3.2) 0,35 mm <sup>2</sup> SİYAH (KN 8.4 - NTC 1) 0,35 mm <sup>2</sup> TURUNCU (KN 8.3 - NTC 2) 0,35 mm <sup>2</sup> TURUNCU (KN 8.2 - DSW OF CDM) 0,35 mm <sup>2</sup> YEŞİL (KN 8.1 - DSW OF NO) 0,35 mm <sup>2</sup> YEŞİL
		*	*	*	*	3200	(KN6.1 - DSW CDM) MAVİ-BEYAZ (KN6.5 - MOTOR 1) TURUNCU-BEYAZ (MOTOR 1 - MOTOR KAPASİTÖRÜ) SİYAH-BEYAZ (KN6.7 - MOTOR 2) MOR-BEYAZ (MOTOR 2 - MOTOR KAPASİTÖRÜ) YEŞİL-KIRMIZI			*	*	*	*	*	4100	(DSW KON. CDM - DSW NO) SİYAH-BEYAZ
		*	*	*	*	3201	(KN6.1 - DSW CDM) MAVİ-BEYAZ (KN6.3 - DSW OF CDM) 0,75 mm <sup>2</sup> PEMBE-SİYAH (KN6.5 - MOTOR 2) TURUNCU-BEYAZ (MOTOR 2 - MOTOR KAPASİTÖRÜ 2) YEŞİL-KIRMIZI (KN6.7 - MOTOR 1) MOR-BEYAZ (MOTOR 1 - MOTOR KAPASİTÖRÜ 1) SİYAH-BEYAZ			*	*	*	*	*	4200	(ARA KONNEKTÖR 4.1-ISITICI 4)1,0 mm KIRMIZI (ARA KONNEKTÖR 4.2-ISITICI 5)1,0 mm KIRMIZI
		*	*	*	*	3202	(KN6.1 - DSW CDM) MAVİ-BEYAZ (KN6.5 - MOTOR 2) TURUNCU-BEYAZ (MOTOR 2 - MOTOR KAPASİTÖRÜ 2) YEŞİL-KIRMIZI (KN6.7 - MOTOR 1) MOR-BEYAZ (MOTOR 1 - MOTOR KAPASİTÖRÜ 1) SİYAH-BEYAZ			*	*	*	*	*		
		*	*	*	*	3203	(KN6.1 - DSW CDM) MAVİ-BEYAZ (KN6.3 - POMPA 1) 0,75 mm <sup>2</sup> PEMBE-SİYAH (KN6.5 - MOTOR 2) TURUNCU-BEYAZ (MOTOR 2 - MOTOR KAPASİTÖRÜ 2) YEŞİL-KIRMIZI (KN6.7 - MOTOR 1) MOR-BEYAZ (MOTOR 1 - MOTOR KAPASİTÖRÜ 1) SİYAH-BEYAZ			*	*	*	*	*		

### TİP 04, 05, 06



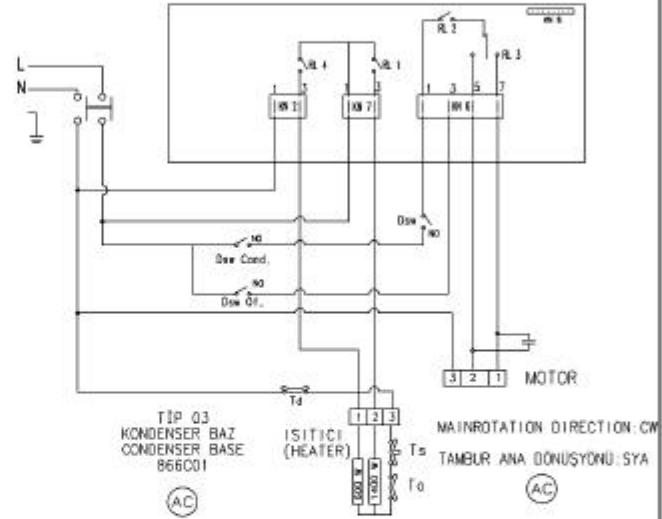
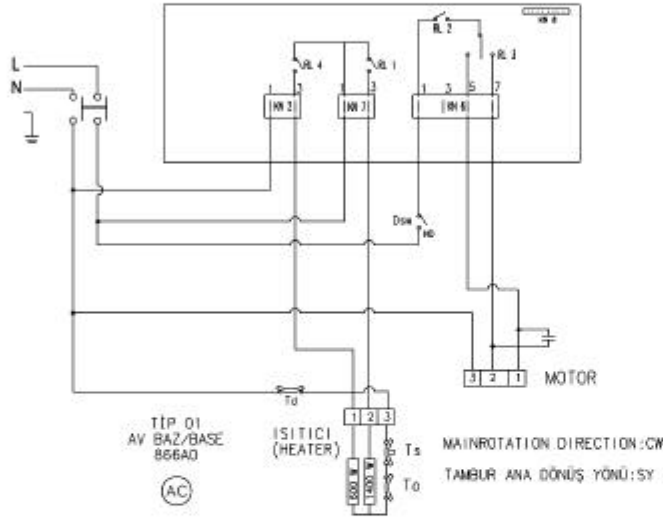
- NOT :
- 1) Kablo kesitleri eksi belirtilmedikçe 0,75 mm<sup>2</sup>'dir.
  - 2) kabloların boy ölçülerine uyarından 6 mm sıyrılmış kısımlar dahildir.
  - 3) PVC kablo dış kılıflarının malzemesi UL94 Standart V0(1.6m) uygun olmalıdır.
  - 4) PVC Kablolar TS 6750 ve TS 9758'e uygun olmalıdır.
  - 5) Verilmeyen bandaj boyutları 15mm'dir.

- ▷ 9000340000
- ▷ 9003830100
- ▷ 9002990000
- ▷ 9001330100
- ▷ 9001360200
- ▷ 9002420000
- ▷ 9001240100
- ▷ 9001240200
- ▷ 9003420000
- ▷ 2813730100
- ▷ 2813740100
- ▷ 2707850400
- ▷ 9005280100
- ▷ 9005010101
- ▷ 9002160200
- ▷ 9005230100
- ▷ 9001360100
- 9002620100

TİP		BİLGİ		TARİH		D. YAPAN		ONAY	
03	04	05	06	11.10.2005	11.10.2005	A. OZARSLAN			

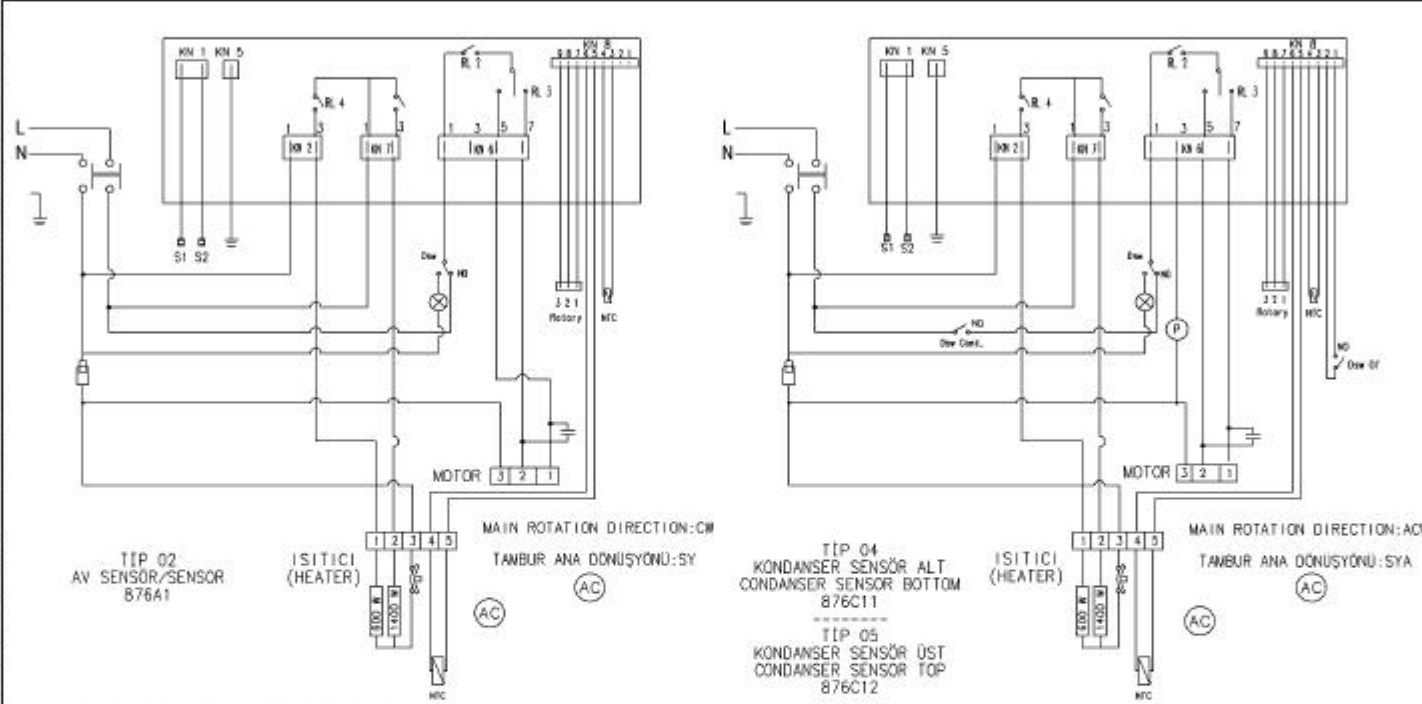
Malzeme Materyal		arçelik	
TARİH	İŞİN	ANAKABLO GR. (MAIN CABLE ASSEMBLY) (TERRA)	
11.10.2005	D. TURK		
11.10.2005	A. OZARSLAN		
11.10.2005	T. SİNER		
Tolerans	Kontrol	RESİM NO	
Verilmeyen	Ölçüleri	29 5700 .. 00	
Ölçü (DIN)	±10	YERİNE GEÇTİ	

CAD İLE ÇİZİLMİŞTİR ELDE DEĞİŞTİRMEYİNİZ / CAD OUTPUT İDİ NOT HANCIKAK CAD KONTROL RESİM İZLETİMİN ÖLDÜ ALMAYINIZ / DO NOT SCALE



02	01	Tip	Malzeme	Renk	Standart	Ölçü	MALZEME/MATERIAL			
							ANA KABLO GR.			
							MAIN CABLE ASSEMBLY			
							RESİM NO.			
							29 5700 . . 00			
Tolerans Verilmeyen Ölçü (DIN) ±10							Kontrol Ölçüleri			
TIP ID No İD. T. NO TARİH İ. YAPAN ONAY							YERİNE SEÇTİ			
RESİM KONTROL										





TIP 02  
AV SENSÖR/SENSOR  
876A1

ISITICI  
(HEATER)

MAIN ROTATION DIRECTION: CW  
TANBUR ANA DÖNÜŞÜ: SY

TIP 04  
KONDANSER SENSÖR ALT  
CONDANSER SENSÖR BOTTOM  
876C11

ISITICI  
(HEATER)

MAIN ROTATION DIRECTION: ACW  
TANBUR ANA DÖNÜŞÜ: SYA

POMPA BAĞLANTISI TIP 05 İÇİNDİR  
POMPANIN OLMADIĞI DURUMDA KN6.3 BAĞLANTISI BOŞ BIRAKILIR.  
PUMP FOR TYPE 05, IF NOT KEEP KN6.3 EMPTY.

AYDINLATMA BAĞLANTISI İÇİN ,BKZ: 295700,SAYFA 1,296030 VE SAP .  
FOR LIGHTING REFER TO 295700,PAGE 1,296030 AND SAP

02/01	Tip	Malzeme	Renk	Standart	Ölçü	arçelik		MALZEME/MATERIAL			
						TARİH	İSİM	ANA KABLO GR. MAIN CABLE ASSEMBLY			
						11.10.2005	D. TÜRK				
						11.10.2005	A. ÖZARSLAN				
						11.10.2025	E. ÇETİNKAYA	RESİM NO.	ÖLÇEK		
						Toleransı	Kontrol	Mo. Sıra No	Komp. Sıra No	Tip	St. Değ.
						Ölçü (DIN)	Ölçüleri	29	5700	..	00
						16901-140		YERİNE SEÇİLİ			