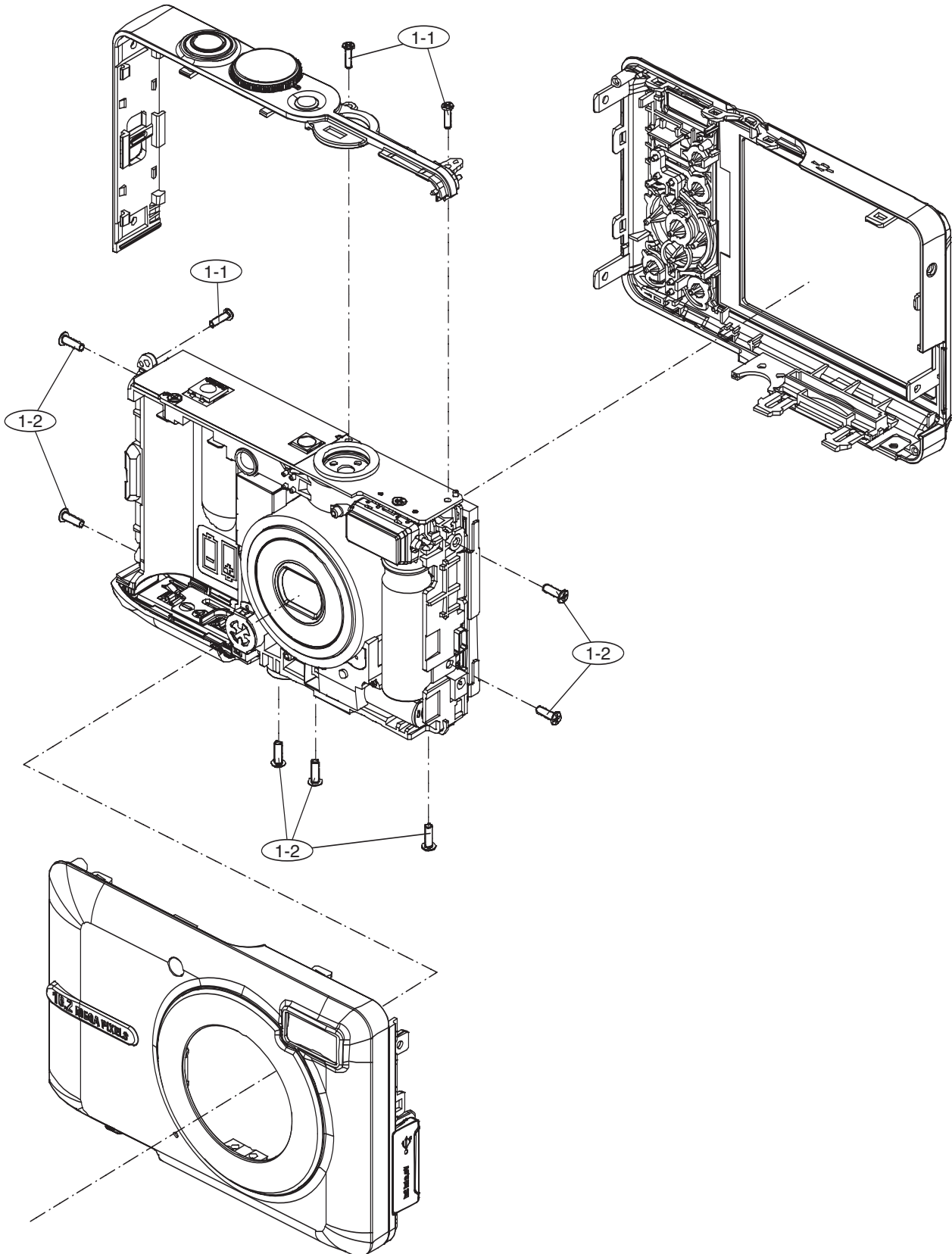


# III . EXPLODED VIEW AND PART LIST

## 1. MAIN ASSEMBLY

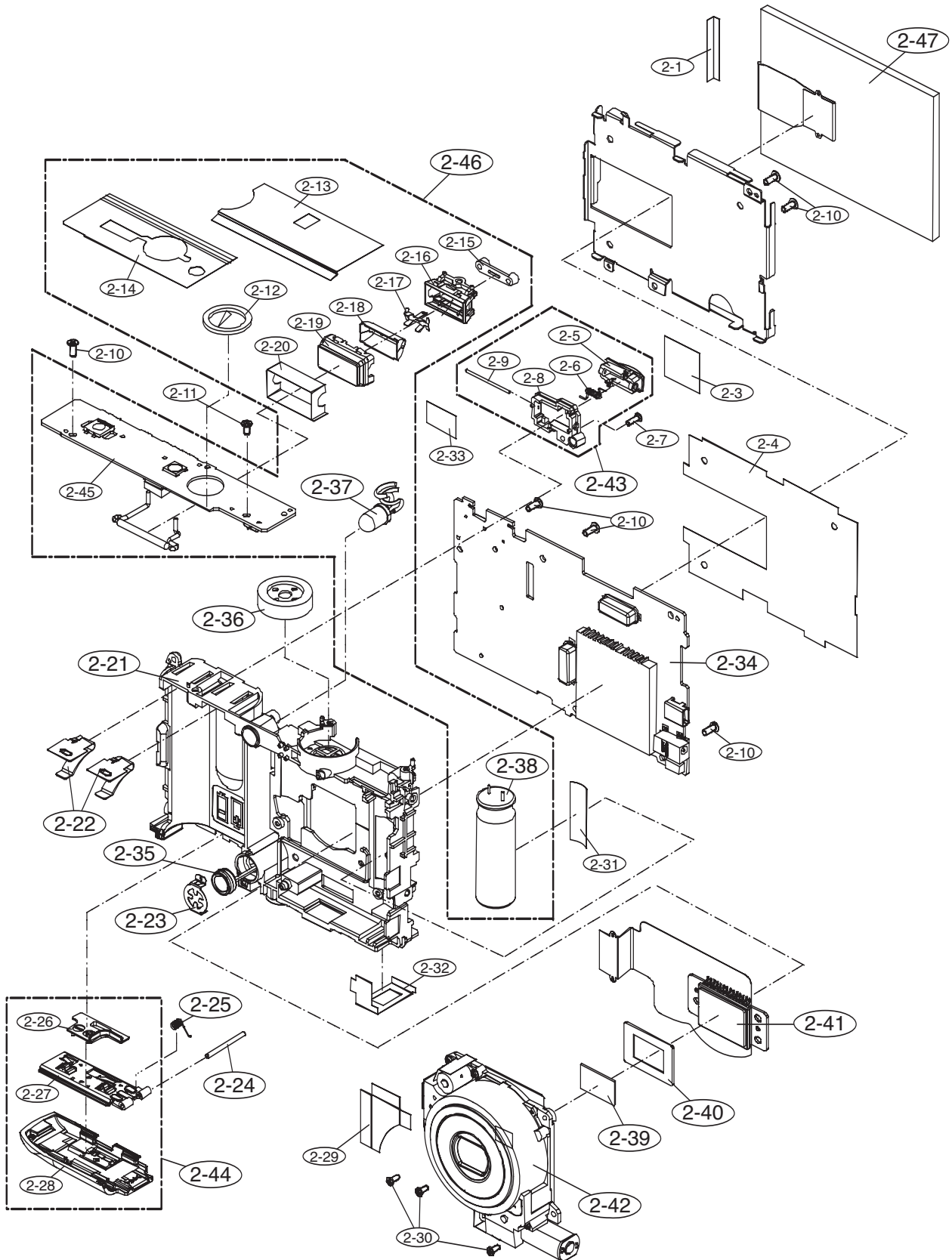


▶ UNAVAILABLE PARTS LIST

Fig.No	Parts Name	Q'ty	Remarks
1-1	TAPPING M1.4X5L	3	
1-2	TAPPING SCREW 1.7X5L	7	

# III . EXPLODED VIEW AND PART LIST

## 2. BODY ASSEMBLY



▶ AVAILABLE PARTS LIST

Fig.No	Parts No.	Parts Name	Q'ty	Remarks
2-2	AD81-08918A	LCD BRACKET	1	
2-21	AD81-08919A	CHASSIS	1	
2-22	AD81-08920A	BTCN CHASSIS SIDE	2	
2-23	AD81-08921A	ESD BRACKET MIC	1	
2-24	AD81-08922A	BATTERY COVER SHAFT	1	
2-25	AD81-08923A	BATTERY COVER SPRING SA1040Z	1	
2-34	AD81-08924A	MAIN PCB ASSY	1	
2-35	AD81-08890A	MIC	1	
2-36	AD81-08891A	SPEAKER	1	
2-37	AD81-08892A	AF_LED	1	
2-38	AD81-08893A	CONDENSOR	1	
2-39	AD81-08925A	IR_CUT_FILTER	1	
2-40	AD81-08926A	CCD RUBBER	1	
2-41	AD81-08894A	CCD FPCB ASSY	1	
2-42	AD97-16175A	BARREL ASSY	1	
2-43	AD81-08928A	ZOOM BUTTON ASSY	1	
2-44	AD81-08929A	BATTERY COVER ASSY	1	BLACK
	AD81-08930A	BATTERY COVER ASSY	1	SILVER
	AD81-08931A	BATTERY COVER ASSY	1	PINK
	AD81-08932A	BATTERY COVER ASSY	1	WHITE
2-46	AD81-08895A	TOP PCB ASSY	1	
2-47	AD81-08956A	TFT LCD PANNEL	1	

# III . EXPLODED VIEW AND PART LIST

---

## ▶ UNAVAILABLE PARTS LIST

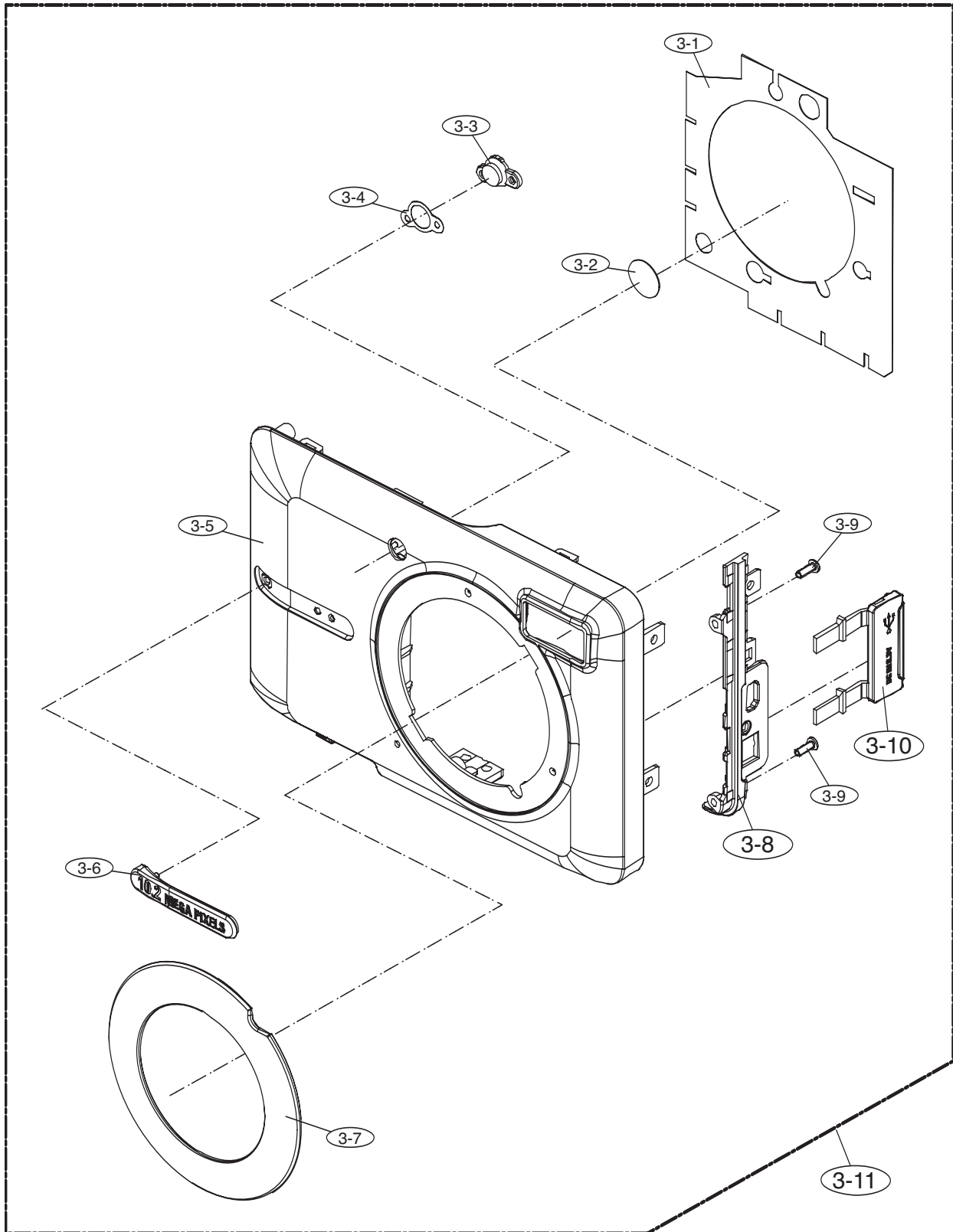
Fig.No	Parts Name	Q'ty	Remarks
2-1	LCD MYLAR	1	
2-3	MAIN PCB MYLAR-1	1	
2-4	LCD BRACKET MYLAR	1	
2-5	T/W BUTTON	1	
2-6	T/W BUTTON SPRING	1	
2-7	TAPPING SCREW 1.4x4.0L	1	
2-8	T/W BUTTON HOLDER	1	
2-9	T/W BUTTON SHAFT	1	
2-10	TAPPING M1.7X4	6	
2-11	TAPPING 1.7X3	1	
2-12	SPEAKER SPONGE	1	
2-13	STROBE PCB MYLAR-2	1	
2-14	STROBE PCB MYLAR	1	
2-15	FLASH RUBBER	1	

► UNAVAILABLE PARTS LIST

Fig.No	Parts Name	Q'ty	Remarks
2-16	FLASH HOLDER	1	
2-17	REFLECTOR CONTACT	1	
2-18	REFLECTOR	1	
2-19	FLASH WINDOW	1	
2-20	FLASH MYLAR-1	1	
2-26	BATTERY COVER PROTECT	1	
2-27	PLATE COVER BATTERY	1	
2-28	BATTERY DOOR SA1040Z-SILVER	1	
2-29	LENS MYLAR	1	
2-30	TAPPING M1.4X3L	3	
2-31	CAPACTOR DOUBLE TAPE	1	
2-32	CHASSIS COOPER FLIM-1	1	
2-33	MAIN PCB MYLAR-2	1	
2-45	SMD TOP PCB	1	

# III . EXPLODED VIEW AND PART LIST

## 3. FRONT COVER ASSEMBLY



► AVAILABLE PARTS LIST

Fig.No	Parts No.	Parts Name	Q'ty	Remarks
3-8	AD81-08933A	MIDDLE COVER-2 SA1040Z-SILVER	1	
3-10	AD81-08934A	USB COVER SA1040Z-SILVER	1	
3-11	AD81-08935A	FRONT COVER ASSY KENOX S1070	1	BLACK
	AD81-08936A	FRONT COVER ASSY SAMUSNG S1070	1	BLACK
	AD81-08937A	FRONT COVER ASSY SAMUNG D1070	1	BLACK
	AD81-08938A	FRONT COVER ASSY SAMUNG BL103	1	BLACK
	AD81-08939A	FRONT COVER ASSY KENOX S1070	1	SILVER
	AD81-08940A	FRONT COVER ASSY SAMUSNG S1070	1	SILVER
	AD81-08941A	FRONT COVER ASSY SAMUNG D1070	1	SILVER
	AD81-08942A	FRONT COVER ASSY SAMUNG BL103	1	SILVER
	AD81-08943A	FRONT COVER ASSY KENOX S1070	1	PINK
	AD81-08944A	FRONT COVER ASSY SAMUSNG S1070	1	PINK
	AD81-08945A	FRONT COVER ASSY SAMUNG D1070	1	PINK
	AD81-08946A	FRONT COVER ASSY SAMUNG BL103	1	PINK
	AD81-08947A	FRONT COVER ASSY KENOX S1070	1	WHITE
	AD81-08948A	FRONT COVER ASSY SAMUSNG S1070	1	WHITE
	AD81-08949A	FRONT COVER ASSY SAMUNG D1070	1	WHITE
	AD81-08950A	FRONT COVER ASSY SAMUNG BL103	1	WHITE
	AD81-08957A	FRONT COVER ASSY SAMSUNG CL103	1	BLACK
	AD81-08958A	FRONT COVER ASSY SAMSUNG CL103	1	SILVER
AD81-08959A	FRONT COVER ASSY SAMSUNG CL103	1	PINK	
AD81-08960A	FRONT COVER ASSY SAMSUNG CL103	1	WHITE	

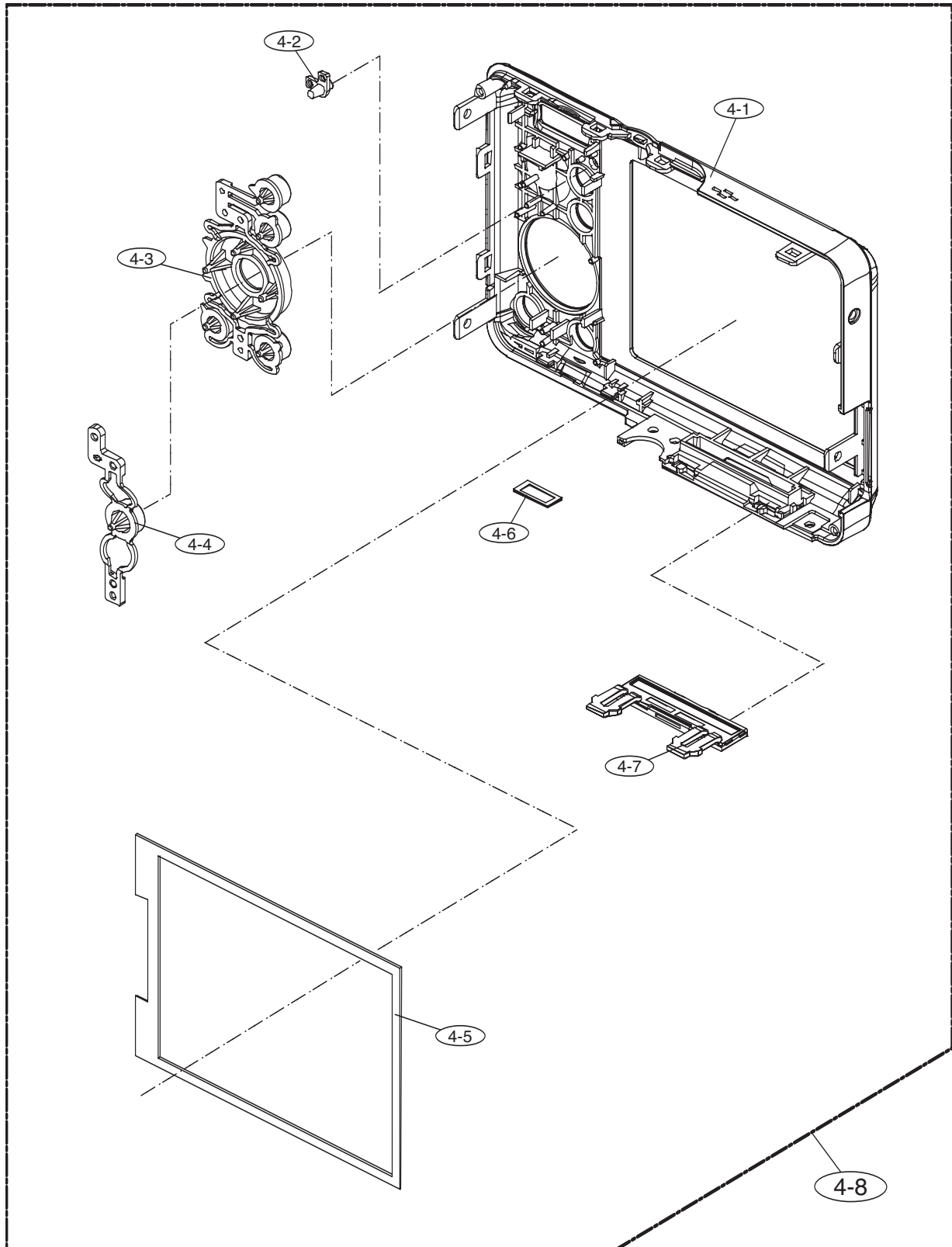
► UNAVAILABLE PARTS LIST

Fig.No	Parts Name	Q'ty	Remarks
3-1	FRONT COVER COOPER FLIM-1	1	
3-2	SPEAKER NONWOVEN	1	
3-3	AF COVER	1	
3-4	AF MYLAR	1	
3-5	FRONT COVER SA1040Z-SILVER(S1070)	1	
3-6	FRONT GRIP	1	
3-7	LENS RING	1	
3-9	TAPPING SCREW 1.4x4.0L	2	



# III . EXPLODED VIEW AND PART LIST

## 4. BACK COVER ASSEMBLY



▶ AVAILABLE PARTS LIST

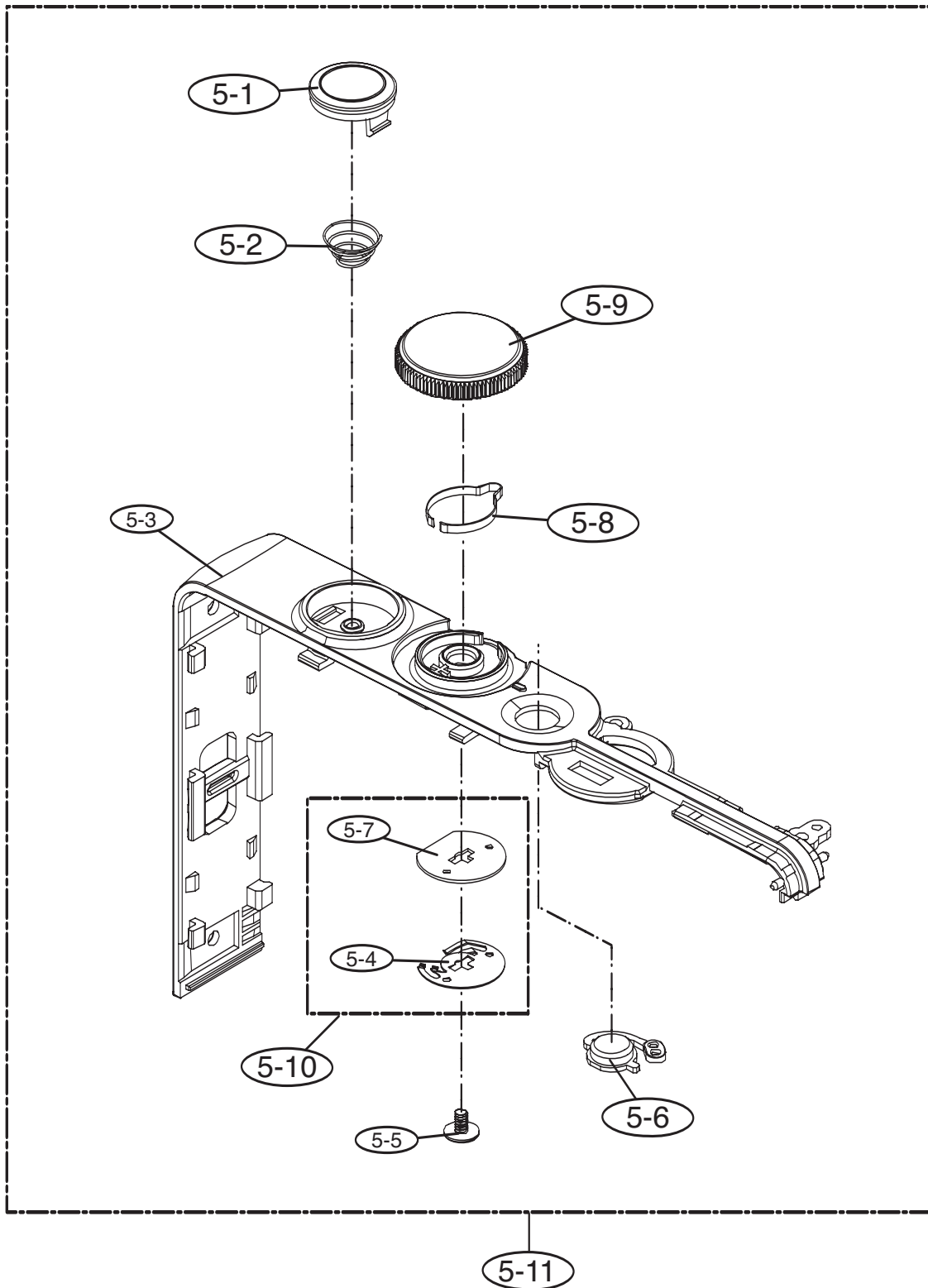
Fig.No	Parts No.	Parts Name	Q'ty	Remarks
4-8	AD81-08898A	BACK COVER ASSY	1	BLACK
	AD81-08899A	BACK COVER ASSY	1	SILVER
	AD81-08900A	BACK COVER ASSY	1	PINK
	AD81-08901A	BACK COVER ASSY	1	WHITE

▶ UNAVAILABLE PARTS LIST

Fig.No	Parts Name	Q'ty	Remarks
4-1	REAR COVER SA1040Z-SILVER	1	
4-2	LED COVER	1	
4-3	UI BUTTON	1	
4-4	OK BUTTON	1	
4-5	LCD SPONGE	1	
4-6	SPEAKER NONWOVEN	1	
4-7	SD DOOR SA1040Z-SILVER	1	

# III . EXPLODED VIEW AND PART LIST

## 5. MIDDLE COVER ASSEMBLY



► AVAILABLE PARTS LIST

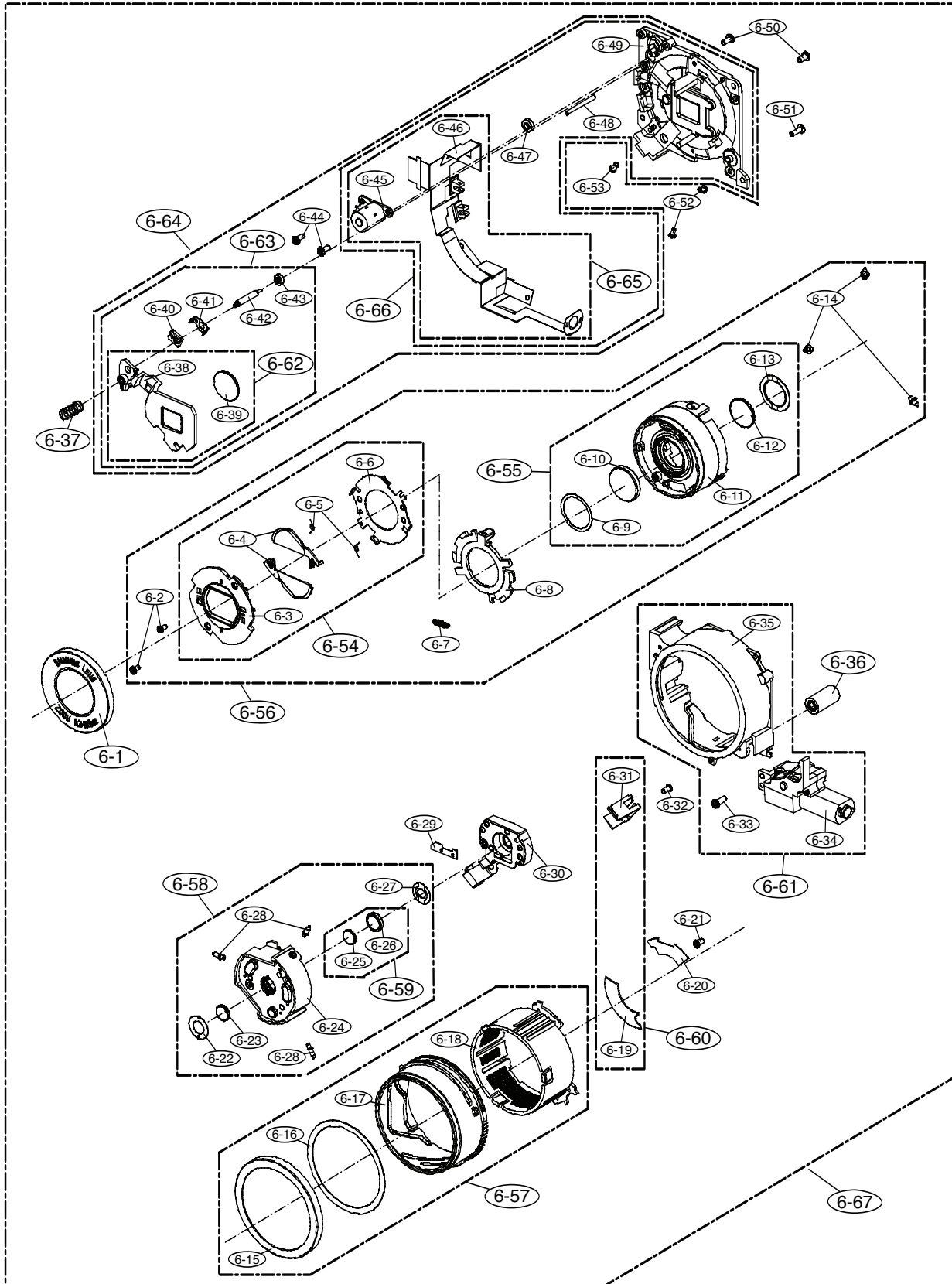
Fig.No	Parts No.	Parts Name	Q'ty	Remarks
5-1	AD81-08902A	SHUTTER BUTTON	1	
5-2	AD81-08903A	SHUTTER BUTTON SPRING	1	
5-6	AD81-08904A	POWER BUTTON	1	BLACK
	AD81-08905A	POWER BUTTON	1	SILVER
	AD81-08906A	POWER BUTTON	1	PINK
	AD81-08907A	POWER BUTTON	1	WHITE
5-8	AD81-08908A	MODE CLICK SPRING	1	
5-9	AD81-08909A	KNOB MODE DIAL	1	BLACK
	AD81-08910A	KNOB MODE DIAL	1	SILVER
	AD81-08911A	KNOB MODE DIAL	1	PINK
	AD81-08912A	KNOB MODE DIAL	1	WHITE
5-10	AD81-08913A	MODE CONTACT ASSY	1	
5-11	AD81-08914A	MIDDLE COVER ASSY	1	BLACK
	AD81-08915A	MIDDLE COVER ASSY	1	SILVER
	AD81-08916A	MIDDLE COVER ASSY	1	PINK
	AD81-08917A	MIDDLE COVER ASSY	1	WHITE

► UNAVAILABLE PARTS LIST

Fig.No	Parts Name	Q'ty	Remarks
5-3	MIDDLE COVER	1	
5-4	CONTACT MODE DIAL	1	
5-5	SCREW T1.7X2.5	1	
5-7	MODE DIAL PLATE	1	

# III . EXPLODED VIEW AND PART LIST

## 6. BARREL ASSEMBLY



▶ AVAILABLE PARTS LIST

Fig.No	Parts No.	Parts Name	Q'ty	Remarks
6-1	AD64-02296B	DECO RING-FRONT	1	
6-36	AD66-00603A	GEAR-IDLE	1	
6-37	6107-001509	SPRING-ES	1	
6-54	AD97-15695A	BARRIER ASSY	1	
6-55	AD97-15697A	SUB BARRELAASSY-1ST_LENS	1	
6-56	AD97-15692A	SUB BARRELAASSY-ZOOM_RING	1	
6-57	AD97-15693A	SUB BARRELAASSY-CAM	1	
6-58	AD97-15698A	SUB BARRELAASSY-2ND_LENS	1	
6-59	AD97-16092A	LENS ASSY-G4_G5	1	
6-60	AD97-15690	SUB BARRELAASSY-2ND	1	
6-61	AD97-16186A	SUB BARRELAASSY-OUTER GUIDE	1	
6-62	AD97-15699A	SUB BARRELAASSY-3RD_LENS	1	
6-63	AD97-15691A	SUB BARRELAASSY-3RD	1	
6-64	AD97-16200A	LENS BASE ASS	1	
6-65	AD92-00659A	FPCB ASSY-MAIN	1	
6-66	AD97-16173A	SUB BARRELAASSY-LENS BASE	1	
6-67	AD97-16175A	BARRELAASSY	1	

# III . EXPLODED VIEW AND PART LIST

## ▶ UNAVAILABLE PARTS LIST

Fig.No	Parts No.	Parts Name	Q'ty	Remarks
6-2	6003-001673	SCREW-TAPTITE	2	
6-3	AD63-02931A	BARRIER-FRONT_PANEL	1	
6-4	AD63-02932A	BARRIER_A	2	
6-5	6107-001511	SPRING-TS	2	
6-6	AD61-03702A	BASE-BARRIER	1	
6-7	6107-001510	SPRING-ES	1	
6-8	AD66-00595B	LEVER-BARRIER	1	
6-9	AD63-02997A	SHEET-G1	1	
6-10	AD67-00860B	LENS SP LENS-G1	1	
6-11	AD67-00972A	BARREL-ZOOM RING N	1	
6-12	AD67-00586A	G2_LENS-N2S	1	
6-13	AD63-02996A	SHEET-G2	1	
6-14	AD66-00596A	SHAFT-1ST_MOVE	3	
6-15	AD64-02295B	DECO RING-CAM	1	
6-16	AD63-02999C	T/SHEET-CAM	1	
6-17	AD67-00970A	BARREL-CAM N	1	
6-18	AD67-00862A	BARREL-GUIDE_PLATE	1	
6-19	AD63-03434B	T/SHEET-2ND A	1	
6-20	AD63-03425B	T/SHEET-2ND B	1	
6-21	6003-001633	SCREW-TAPTITE	1	
6-22	AD63-02995A	SHEET-G3	1	
6-23	AD67-00592A	G3_LENS_N2S-SZB-0325	1	
6-24	AD67-00847A	BARREL-2ND	1	
6-25	AD67-00903A	LENS SP LENS-G4	1	
6-26	AD67-00904A	LENS SP LENS-G5	1	
6-27	AD63-02994A	SHEET-G5	1	

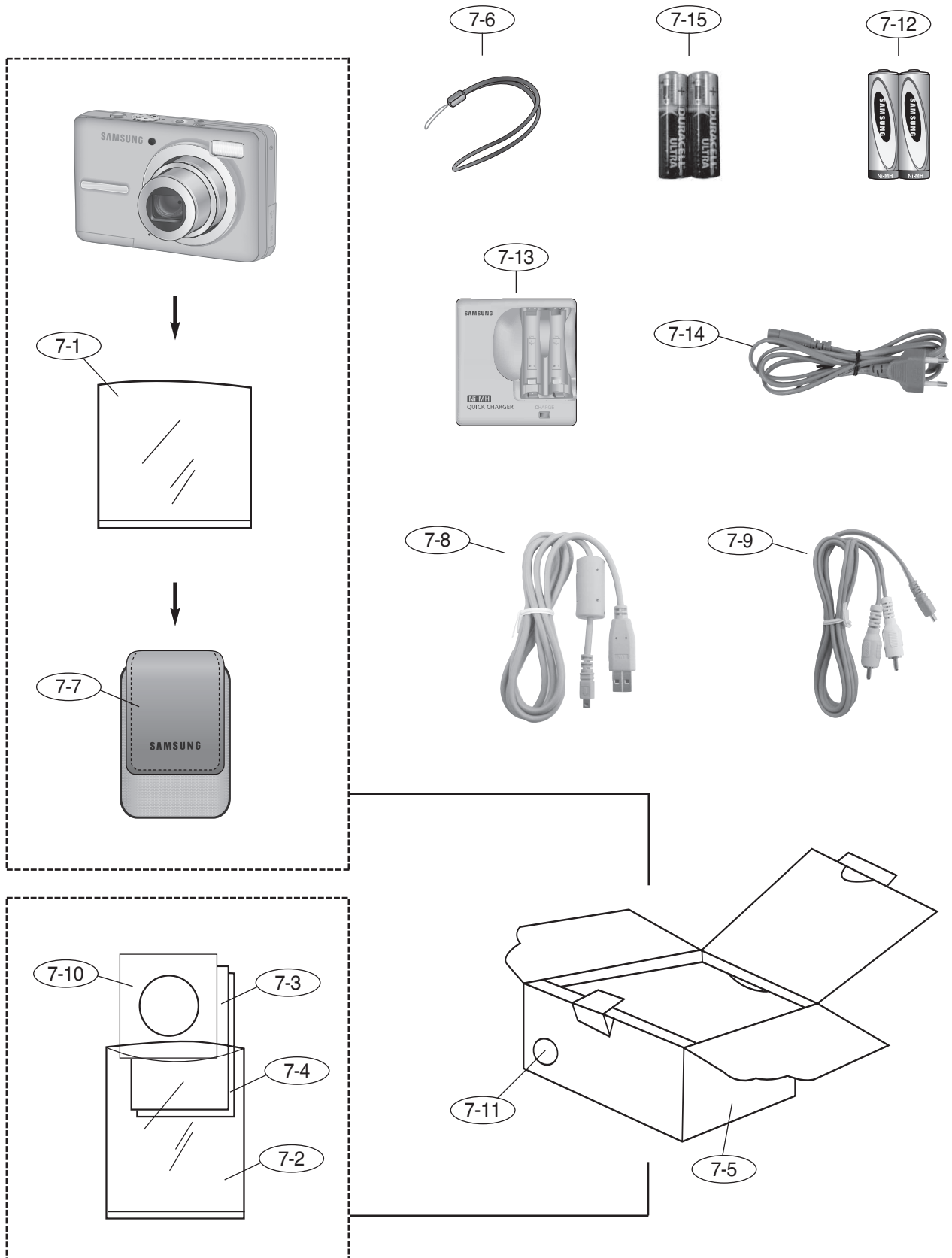
▶ UNAVAILABLE PARTS LIST

Fig.No	Parts No.	Parts Name	Q'ty	Remarks
6-28	AD66-00597A	SHAFT-2ND_MOVE	3	
6-29	AD63-03262A	ASHEET-2ND	1	
6-30	AD97-15476A	SHUTTER ASSY-N2S_N	1	
6-31	AD61-03700A	HOLDER-FPCB	1	
6-32	6003-001684	SCREW	1	
6-33	6003-001717	SCREW-TAPTITE	1	
6-34	AD97-15551A	ZOOM MODULE ASSY	1	
6-35	AD67-00850A	BARREL-OUTER_GUIDE	1	
6-36	AD66-00603A	GEAR-IDLE	1	
6-37	6107-001509	SPRING-ES	1	
6-38	AD67-00848A	BARREL-3RD	1	
6-39	AD67-00861A	LENS SP LENS-G6	1	
6-40	AD61-03445A	AF_CLIP-N2S	1	
6-41	AD61-03701A	HOLDER-AF_CLIP	1	
6-42	AD66-00600A	SHAFT-AF_LEAD	1	
6-43	AD66-00602A	GEAR-AF_B	1	
6-44	6003-001633	SCREW-TAPTITE	2	
6-45	AD97-15552A	MOTOR ASSY-AF	1	
6-46	AD92-00657A	SMD FPCB ASSY-MAIN	1	
6-47	AD66-00601A	GEAR-AF_A	1	
6-48	AD66-00598A	SHAFT-AF_A	1	
6-49	AD67-00852A	BASE LENS	1	
6-50	6003-001633	SCREW-TAPTITE	2	
6-51	6003-001717	SCREW-TAPTITE	1	
6-52	6003-001673	SCREW-TAPTITE	2	
6-53	6003-001684	SCREW	1	



# III . EXPLODED VIEW AND PART LIST

## 7. PACKING ITEM



▶ AVAILABLE PARTS LIST

Fig.No	Parts No.	Parts Name	Q'ty	Remarks
7-1	6902-000924	PE BAG (FOR CAMERA)	1	
7-2	6902-000921	PE BAG (FOR ACCESSORY)	1	
7-3	AD68-03156A	U_KENOX_S1070	1	
	AD68-03157A	U_S1070_CHI	1	
	AD68-03240A	U_D1070_EUR1	1	
	AD68-03159A	U_S1070_EUR2	1	
	AD68-03160A	U_S1070_ASIA	1	
	AD68-03161A	U_S1070_AMERICA	1	
	AD68-03163A	U_S1070_EUR3	1	
	AD68-03240A	U_D1070_EUR1	1	
	AD68-03165A	U_BL103_AMERICA_USA	1	
7-4	6801-001646	WARRANTY_CARD_EXP	1	
	6801-001642	WARRANTY_CARD	1	
	6801-001658	WARRANTY_CARD_2 YEARS	1	
	6801-001650	WARRANTY_CARD_RUS(3 YEARS)	1	
	6801-001675	WARRANTY_CARD_TSOE(CHINA)_PRODUCT	1	
	6801-001663	A/S M_U_CHI(TSOE)	1	
	6801-001647	CARD_PRODUCT(Mexico)	1	
	6801-001656	WARRANTY_CARD_IRAN	1	
	6801-001659	WARRANTY_CARD_TURKEY	1	
	6801-001660	SERVICE_CENTER_TURKEY	1	
	6801-001662	WARRANTY_CARD_Argentina	1	
	6801-001664	LOCAL_WARRANTY_CARD_INDIA	1	
	6801-001665	LOCAL_WARRANTY_CARD_ITALIA	1	
	AD68-02558A	PRC_CARD_RUSSIA	1	
	6801-001681	WARRANTY_CARD_CANADA	1	
6801-001564	WARRANTY_CARD_Vietnam	1		

### III . EXPLODED VIEW AND PART LIST

---

▶ AVAILABLE PARTS LIST

Fig.No	Parts No.	Parts Name	Q'ty	Remarks
7-5	AD69-01820A	GT_BOX_S1070_CHI	1	
	AD69-01821A	GT_BOX_S1070_EXP_BIG	1	
	AD69-01849A	GT_BOX_D1070_EXP_SMALL	1	
	AD69-01824A	GT_BOX_S1070_CAN	1	
	AD69-01825A	GT_BOX_BL103_USA	1	
7-6	AD63-02596A	STRAP_KENOX_S850/S730/TH-83_KOR/EXP	1	
	AD63-02604A	STRAP_KENOX_S850/S730/TH-83_BLACK	1	
7-7	AD69-01817A	POUCH_Kenox_S1070_GREY	1	
7-8	AD81-00734A	USB CABLE_Digimax_L60	1	
7-9	AD81-00735A	AV CABLE_Digimax_L60	1	
7-10	AD46-00197A	SAMSUNG_CD_S1070	1	
	AD46-00207A	SAMSUNG_CD_D1070	1	
	AD46-00199A	SAMSUNG_CD_BL103	1	

▶ AVAILABLE PARTS LIST

Fig.No	Parts No.	Parts Name	Q'ty	Remarks
7-11	AD81-01550A	COLOR STICKER X60_Black	1	
	AD81-01565A	COLOR_STICKER_L70_NV3_L2-74_Sliver	1	
	AAD68-01663A	COLOR_STICKER_I8_White	1	
	AD81-01572A	COLOR STICKER_Digimax S730_PINK	1	
7-12	AD81-00879A	BATTERY_SNB-2512(AA Type)	1	
7-13	AD81-00898A	Ni-MH CHARGER(SBC-N2)	1	
7-14	3903-000350	AC CODE CABLE_KOR-D1	1	
	AD81-00697A	AC CODE CABLE_EXP-D1	1	
	AD81-00696A	AC CODE CABLE_USA-D1	1	
	AD81-00700A	AC CODE CABLE_TSOE-D1	1	
	AD81-00682A	AC CODE CABLE_UK-DSC220SE	1	
	3903-000349	AC CODE CABLE_AUS-D1	1	
7-15	AD81-00867A	ALKALINE (1.5V, AA) 2EA - DURACEL ULTRA	1	