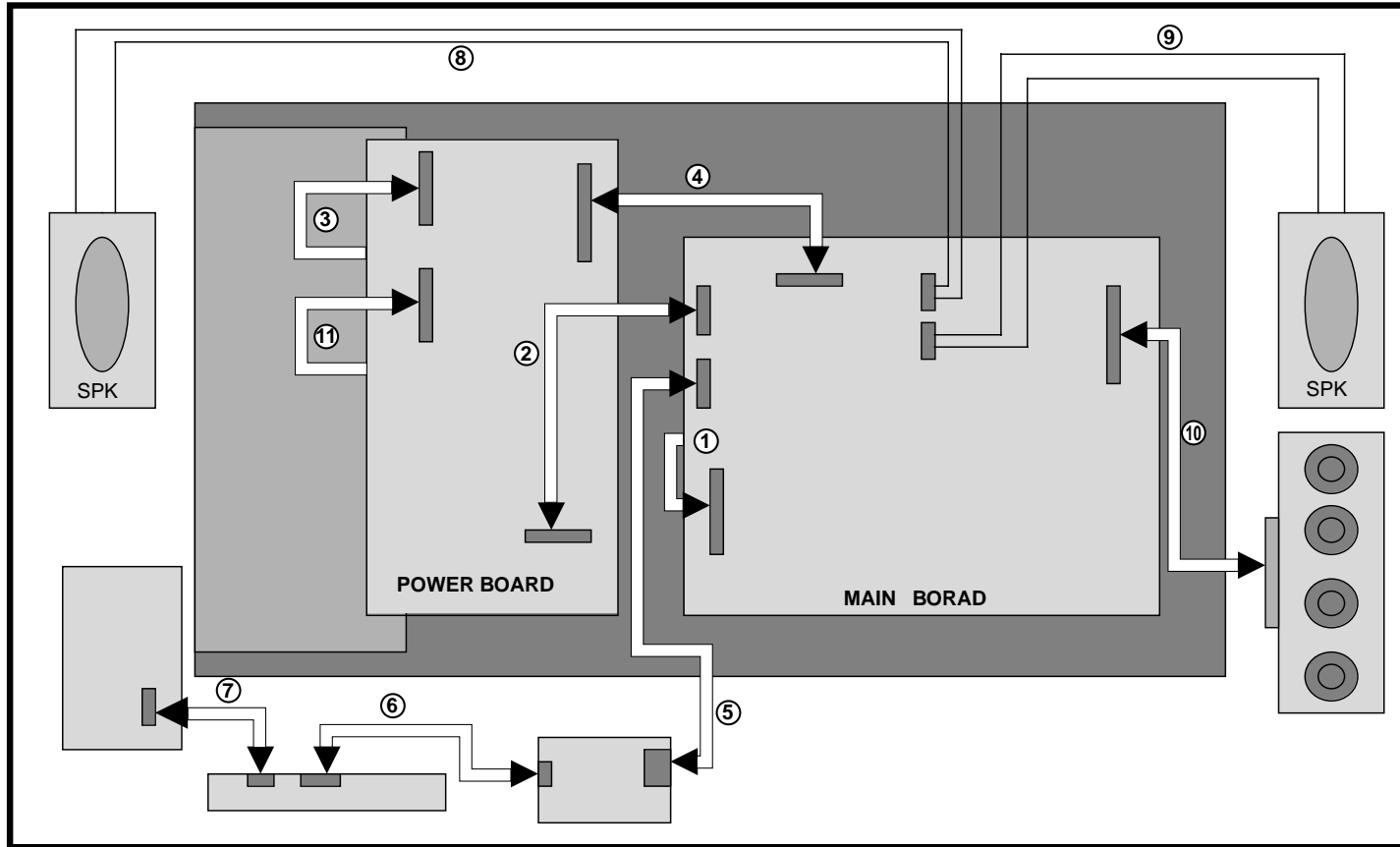


WIRING DIAGRAM

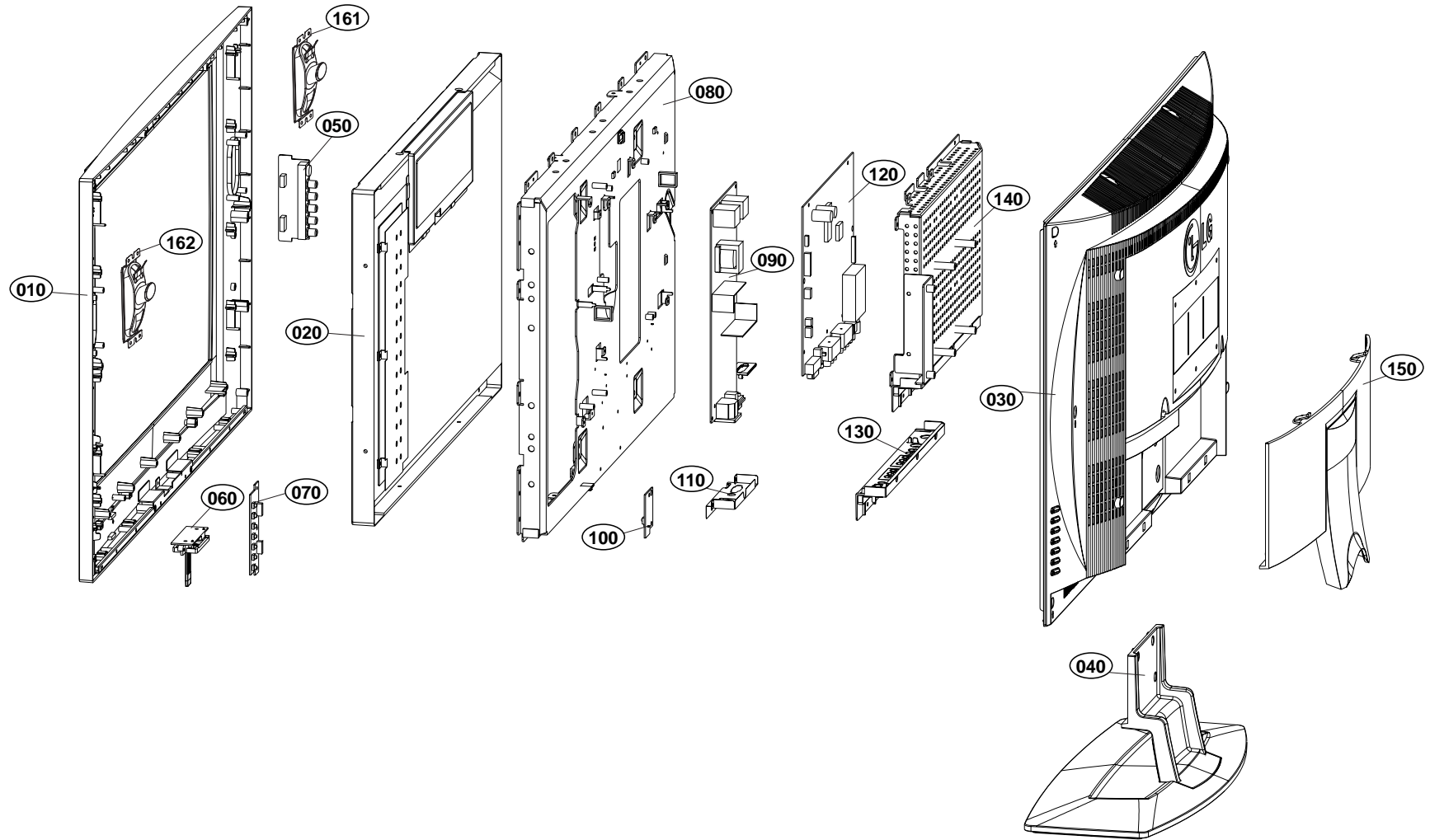


Wiring Part List

No.	Part No.
1	6631T11020N
2	6631T20033F
3	6631T20032E
4	6631T25019K
5	6631T20033B
6	6631T20033C
7	6631T20033D
8	6631T20029Z
9	6631T20029Y
10	6631T20033E
11	6631T20032F

EXPLODED VIEW

- 23 -



EXPLODED VIEW PARTS LIST

No.	PART NO.	DESCRIPTION
010	⚠ 3091TKE018F	Cover Assembly, RZ-27LZ50 BRAND 3091TKE012A 407AF LGEWA C/SKD
020	⚠ 6304FCI014A	LCD,Panel-TFT, V270B1-L01 27INCH 1366X768 550CD COLOR 75% V270B1-L01 550NITS 8MS
030	⚠ 3809TKE035J	Cover Assembly, RZ-26LZ55 ONLY 3808TKE005 40AF LGEMA-EXPORT MOLD PHANTOM
	3809TKE035H	Cover Assembly, RZ-26LZ55 3808TKE005 C/SKD
040	⚠ 3043TKK171B	Base Assembly, RZ-26LZ50 LGEWA C/SKD
	3043TKK171F	Base Assembly, RZ-26LZ50 . NONE LGENT PHANTOM
050	6871TVT370C	PCB Assembly,Video, RM-32/26/23LZ50 SIDE A/V SUB TOTAL BRAND LF
060	6871TST762C	PCB Assembly,Sub, 26/27LZ50 LED & P/SW TOTAL BRAND -LF-
070	6871TST589D	PCB Assembly,Sub, RZ-26LZ50 CONTROL TOTAL BRAND -LF-
080	4951TKS156F	Plate Assembly, FRAME, CMO RZ-27LZ50 C/SKD
090	⚠ 6871TPT275E	PCB Assembly,Power, RM-32LZ50 POWER TOTAL BRAND 26-32INCH PB FREE
100	6871TST588D	PCB Assembly,Sub, RZ-26LZ50 IR SUB TOTAL BRAND -LF-
110	4814TKK280A	Plate, PRESS SPT T0.3 REAR POWER
120	33139P2020A	Main Total Assembly, CMO ML-041A LF RZ-27LZ55 BRAND
130	3551TKK516L	Cover Assembly, RZ-32LZ50 LGEMA PHANTOM REAR A/V ASSY PHONE
	3551TKK516B	Cover Assembly, RZ-30LZ50 REAR NON AV C/SKD
140	4951TKK169S	Plate Assembly, REAR SHIELD 26LZ50, LGEMA PHANTOM
	4951TKK169J	Plate Assembly, REAR RZ-26LZ50 C/SKD
150	3550TKK516A	Cover, MOLD ABS RZ-26LZ50 REAR
161	6401900142A	Speaker Assembly, RZ-23/26LZ55 LGEMA SPK L 5P -LF-
162	6401900143A	Speaker Assembly, RZ-23/26LZ55 LGEMA SPK R 4P -LF-
161+162	6401900129A	Speaker Assembly, RZ-20LA70 4OHM 7W MAX12W

DATE: 2006. 03.03.				
*S	*AL	LOC. NO.	PART NO.	DESCRIPTION / SPECIFICATION
		L9	0LC1032101A	FI-C3216-103KJT 10UH 10% -
		L1300	6140VR0008B	SLF12575T-150M4R7 15UH 20%
		L1301	6140VR0008B	SLF12575T-150M4R7 15UH 20%
		L906	6140VR0008B	SLF12575T-150M4R7 15UH 20%
FET & TRANSISTOR				
		IC1101	0TF492509AA	SI4925DY P-CHANNEL -30V +2
		Q1000	0TR388109AA	KTC3881S NPN 4V 30V 25V 50M
		Q1101	0TR387500AA	2SC3875S NPN 5V 60V 50V 150
		Q212	0TR387500AA	2SC3875S NPN 5V 60V 50V 150
		Q300	0TR387500AA	2SC3875S NPN 5V 60V 50V 150
		Q302	0TR387500AA	2SC3875S NPN 5V 60V 50V 150
		Q303	0TR387500AA	2SC3875S NPN 5V 60V 50V 150
		Q304	0TR387500AA	2SC3875S NPN 5V 60V 50V 150
		Q318	0TR387500AA	2SC3875S NPN 5V 60V 50V 150
		Q701	0TR387500AA	2SC3875S NPN 5V 60V 50V 150
		Q100	0TR387500AA	2SC3875S NPN 5V 60V 50V 150
		Q101	0TR150400BA	KTA1504S PNP -5V -50V -50V
		Q12	0TR150400BA	KTA1504S PNP -5V -50V -50V
		Q13	0TR150400BA	KTA1504S PNP -5V -50V -50V
		Q14	0TR150400BA	KTA1504S PNP -5V -50V -50V
		Q15	0TR387500AA	2SC3875S NPN 5V 60V 50V 150
		Q301	0TR387500AA	2SC3875S NPN 5V 60V 50V 150
		Q305	0TR150400BA	KTA1504S PNP -5V -50V -50V
		Q306	0TR150400BA	KTA1504S PNP -5V -50V -50V
		Q308	0TR387500AA	2SC3875S NPN 5V 60V 50V 150
		Q310	0TR387500AA	2SC3875S NPN 5V 60V 50V 150
		Q313	0TR387500AA	2SC3875S NPN 5V 60V 50V 150
		Q315	0TR387500AA	2SC3875S NPN 5V 60V 50V 150
		Q316	0TR387500AA	2SC3875S NPN 5V 60V 50V 150
		Q317	0TR387500AA	2SC3875S NPN 5V 60V 50V 150
		Q500	0TR387500AA	2SC3875S NPN 5V 60V 50V 150
RESISTORS				
		RA600	0RJ1000C687	RCA86TRJ100R 100OHM 5% 1/16
		RA601	0RJ1000C687	RCA86TRJ100R 100OHM 5% 1/16
		RA602	0RJ1000C687	RCA86TRJ100R 100OHM 5% 1/16
		RA603	0RJ1000C687	RCA86TRJ100R 100OHM 5% 1/16
		RA604	0RJ1000C687	RCA86TRJ100R 100OHM 5% 1/16
		RA605	0RJ1000C687	RCA86TRJ100R 100OHM 5% 1/16
		C333	0RH0000D622	MCR10EZHJ000 0OHM 5% 1/8W 2
		C338	0RH0000D622	MCR10EZHJ000 0OHM 5% 1/8W 2
		C339	0RH0000D622	MCR10EZHJ000 0OHM 5% 1/8W 2
		R10	0RH3301D622	MCR10EZHJ332 3.3KOHM 5% 1/8
		R1001	0RH0562D622	MCR10EZHJ560 56OHM 5% 1/8W
		R1002	0RH1501D622	MCR10EZHJ152 1.5KOHM 5% 1/8
		R1003	0RH8200D622	MCR10EZHJ821 820OHM 5% 1/8W
		R1004	0RH3000D622	MCR10EZHJ301 300OHM 5% 1/8W
		R1005	0RH0682D622	MCR10EZHJ680 68OHM 5% 1/8W
		R1010	0RH7501D622	MCR10EZHJ752 7.5KOHM 5% 1/8
		R1011	0RH0000D622	MCR10EZHJ000 0OHM 5% 1/8W 2
		R1012	0RH7502D622	MCR10EZHJ753 75KOHM 5% 1/8W
		R1014	0RH1000D622	MCR10EZHJ101 100OHM 5% 1/8W
		R1026	0RH0000D622	MCR10EZHJ000 0OHM 5% 1/8W 2
		R104	0RH1000D622	MCR10EZHJ101 100OHM 5% 1/8W
		R106	0RH1001D622	MCR10EZHJ102 1KOHM 5% 1/8W
		R107	0RH1503D622	MCR10EZHJ154 150KOHM 5% 1/8
		R11	0RH3301D622	MCR10EZHJ332 3.3KOHM 5% 1/8
		R1100	0RH1000D622	MCR10EZHJ101 100OHM 5% 1/8W
		R1102	0RH1000D622	MCR10EZHJ101 100OHM 5% 1/8W

DATE: 2006. 03.03.				
*S	*AL	LOC. NO.	PART NO.	DESCRIPTION / SPECIFICATION
			R1105	0RH1001D622 MCR10EZHJ102 1KOHM 5% 1/8W
			R1106	0RH1202D622 MCR10EZHJ123 12KOHM 5% 1/8W
			R1107	0RH1502D622 MCR10EZHJ153 15KOHM 5% 1/8W
			R1116	0RH0000D622 MCR10EZHJ000 0OHM 5% 1/8W 2
			R118	0RH1000D622 MCR10EZHJ101 100OHM 5% 1/8W
			R126	0RH1502D622 MCR10EZHJ153 15KOHM 5% 1/8W
			R1301	0RH1002D622 MCR10EZHJ103 10KOHM 5% 1/8W
			R1304	0RH1002D622 MCR10EZHJ103 10KOHM 5% 1/8W
			R132	0RH1003D622 MCR10EZHJ104 100KOHM 5% 1/8
			R133	0RH1003D622 MCR10EZHJ104 100KOHM 5% 1/8
			R134	0RH1003D622 MCR10EZHJ104 100KOHM 5% 1/8
			R135	0RH1003D622 MCR10EZHJ104 100KOHM 5% 1/8
			R1350	0RH0000D622 MCR10EZHJ000 0OHM 5% 1/8W 2
			R140	0RH0392D622 MCR10EZHJ390 390OHM 5% 1/8W
			R141	0RH0392D622 MCR10EZHJ390 390OHM 5% 1/8W
			R142	0RH0392D622 MCR10EZHJ390 390OHM 5% 1/8W
			R143	0RH0392D622 MCR10EZHJ390 390OHM 5% 1/8W
			R144	0RH0392D622 MCR10EZHJ390 390OHM 5% 1/8W
			R145	0RH0392D622 MCR10EZHJ390 390OHM 5% 1/8W
			R146	0RH0392D622 MCR10EZHJ390 390OHM 5% 1/8W
			R147	0RH0392D622 MCR10EZHJ390 390OHM 5% 1/8W
			R1501	0RH0000D622 MCR10EZHJ000 0OHM 5% 1/8W 2
			R154	0RH0822D622 MCR10EZHJ820 820OHM 5% 1/8W
			R156	0RH0822D622 MCR10EZHJ820 820OHM 5% 1/8W
			R158	0RH0822D622 MCR10EZHJ820 820OHM 5% 1/8W
			R162	0RH2701D622 MCR10EZHJ272 2.7KOHM 5% 1/8
			R201	0RH4703D622 MCR10EZHJ474 470KOHM 5% 1/8
			R202	0RH6801D622 MCR10EZHJ682 6.8KOHM 5% 1/8
			R203	0RH6801D622 MCR10EZHJ682 6.8KOHM 5% 1/8
			R204	0RH4703D622 MCR10EZHJ474 470KOHM 5% 1/8
			R22	0RH0000D622 MCR10EZHJ000 0OHM 5% 1/8W 2
			R24	0RH1000D622 MCR10EZHJ101 100OHM 5% 1/8W
			R25	0RH1000D622 MCR10EZHJ101 100OHM 5% 1/8W
			R264	0RH1001D622 MCR10EZHJ102 1KOHM 5% 1/8W
			R265	0RH1001D622 MCR10EZHJ102 1KOHM 5% 1/8W
			R266	0RH4701D622 MCR10EZHJ472 4.7KOHM 5% 1/8
			R267	0RH4702D622 MCR10EZHJ473 47KOHM 5% 1/8W
			R268	0RH4701D622 MCR10EZHJ472 4.7KOHM 5% 1/8
			R300	0RH1002D622 MCR10EZHJ103 10KOHM 5% 1/8W
			R301	0RH1002D622 MCR10EZHJ103 10KOHM 5% 1/8W
			R302	0RH1002D622 MCR10EZHJ103 10KOHM 5% 1/8W
			R304	0RH1002D622 MCR10EZHJ103 10KOHM 5% 1/8W
			R305	0RH1002D622 MCR10EZHJ103 10KOHM 5% 1/8W
			R306	0RH1002D622 MCR10EZHJ103 10KOHM 5% 1/8W
			R307	0RH1002D622 MCR10EZHJ103 10KOHM 5% 1/8W
			R308	0RH1002D622 MCR10EZHJ103 10KOHM 5% 1/8W
			R309	0RH1002D622 MCR10EZHJ103 10KOHM 5% 1/8W
			R312	0RH4700D622 MCR10EZHJ471 470OHM 5% 1/8W
			R313	0RH1500D622 MCR10EZHJ151 150OHM 5% 1/8W
			R314	0RH4700D622 MCR10EZHJ471 470OHM 5% 1/8W
			R315	0RH1500D622 MCR10EZHJ151 150OHM 5% 1/8W
			R320	0RH4703D622 MCR10EZHJ474 470KOHM 5% 1/8
			R322	0RH1500D622 MCR10EZHJ151 150OHM 5% 1/8W
			R324	0RH4703D622 MCR10EZHJ474 470KOHM 5% 1/8
			R338	0RH1002D622 MCR10EZHJ103 10KOHM 5% 1/8W
			R339	0RH1002D622 MCR10EZHJ103 10KOHM 5% 1/8W
			R342	0RH1002D622 MCR10EZHJ103 10KOHM 5% 1/8W
			R343	0RH1002D622 MCR10EZHJ103 10KOHM 5% 1/8W
			R348	0RH1002D622 MCR10EZHJ103 10KOHM 5% 1/8W
			R349	0RH1002D622 MCR10EZHJ103 10KOHM 5% 1/8W
			R352	0RH1002D622 MCR10EZHJ103 10KOHM 5% 1/8W
			R353	0RH1002D622 MCR10EZHJ103 10KOHM 5% 1/8W

DATE: 2006. 03.03.			
*S	*AL	LOC. NO.	PART NO. DESCRIPTION / SPECIFICATION
		R354	0RH1002D622 MCR10EZHJ103 10KOHM 5% 1/8W
		R355	0RH1002D622 MCR10EZHJ103 10KOHM 5% 1/8W
		R363	0RH1001D622 MCR10EZHJ102 1KOHM 5% 1/8W
		R367	0RH1001D622 MCR10EZHJ102 1KOHM 5% 1/8W
		R373	0RH1001D622 MCR10EZHJ102 1KOHM 5% 1/8W
		R377	0RH1001D622 MCR10EZHJ102 1KOHM 5% 1/8W
		R379	0RH1001D622 MCR10EZHJ102 1KOHM 5% 1/8W
		R381	0RH1001D622 MCR10EZHJ102 1KOHM 5% 1/8W
		R383	0RH1001D622 MCR10EZHJ102 1KOHM 5% 1/8W
		R394	0RH6800D622 MCR10EZHJ681 680OHM 5% 1/8W
		R395	0RH6800D622 MCR10EZHJ681 680OHM 5% 1/8W
		R4000	0RH1003D622 MCR10EZHJ104 100KOHM 5% 1/8
		R4001	0RH1003D622 MCR10EZHJ104 100KOHM 5% 1/8
		R4002	0RH4700D622 MCR10EZHJ471 470OHM 5% 1/8W
		R4003	0RH4700D622 MCR10EZHJ471 470OHM 5% 1/8W
		R4004	0RH0472D622 MCR10EZHJ470 470OHM 5% 1/8W
		R4008	0RH0000D622 MCR10EZHJ000 0OHM 5% 1/8W 2
		R4010	0RH0000D622 MCR10EZHJ000 0OHM 5% 1/8W 2
		R4012	0RH4700D622 MCR10EZHJ471 470OHM 5% 1/8W
		R4025	0RH0472D622 MCR10EZHJ470 470OHM 5% 1/8W
		R4026	0RH4700D622 MCR10EZHJ471 470OHM 5% 1/8W
		R44	0RH1000D622 MCR10EZHJ101 100OHM 5% 1/8W
		R45	0RH1000D622 MCR10EZHJ101 100OHM 5% 1/8W
		R46	0RH1001D622 MCR10EZHJ102 1KOHM 5% 1/8W
		R5006	0RH0000D622 MCR10EZHJ000 0OHM 5% 1/8W 2
		R5008	0RH0000D622 MCR10EZHJ000 0OHM 5% 1/8W 2
		R5014	0RH1002D622 MCR10EZHJ103 10KOHM 5% 1/8W
		R502	0RH3301D622 MCR10EZHJ332 3.3KOHM 5% 1/8
		R505	0RH0000D622 MCR10EZHJ000 0OHM 5% 1/8W 2
		R506	0RH0000D622 MCR10EZHJ000 0OHM 5% 1/8W 2
		R516	0RH0222D622 MCR10EZHJ220 22OHM 5% 1/8W
		R517	0RH0222D622 MCR10EZHJ220 22OHM 5% 1/8W
		R519	0RH0222D622 MCR10EZHJ220 22OHM 5% 1/8W
		R520	0RH1800D622 MCR10EZHJ181 180OHM 5% 1/8W
		R527	0RH4701D622 MCR10EZHJ472 4.7KOHM 5% 1/8
		R530	0RH0000D622 MCR10EZHJ000 0OHM 5% 1/8W 2
		R532	0RH0222D622 MCR10EZHJ220 22OHM 5% 1/8W
		R607	0RH1000D622 MCR10EZHJ101 100OHM 5% 1/8W
		R610	0RH2701D622 MCR10EZHJ272 2.7KOHM 5% 1/8
		R700	0RH0000D622 MCR10EZHJ000 0OHM 5% 1/8W 2
		R703	0RH4701D622 MCR10EZHJ472 4.7KOHM 5% 1/8
		R705	0RH4701D622 MCR10EZHJ472 4.7KOHM 5% 1/8
		R712	0RH0752D622 MCR10EZHJ750 750OHM 5% 1/8W
		R713	0RH0752D622 MCR10EZHJ750 750OHM 5% 1/8W
		R715	0RH1202D622 MCR10EZHJ123 12KOHM 5% 1/8W
		R716	0RH0752D622 MCR10EZHJ750 750OHM 5% 1/8W
		R719	0RH1502D622 MCR10EZHJ153 15KOHM 5% 1/8W
		R725	0RH1000D622 MCR10EZHJ101 100OHM 5% 1/8W
		R726	0RH0000D622 MCR10EZHJ000 0OHM 5% 1/8W 2
		R729	0RH1000D622 MCR10EZHJ101 100OHM 5% 1/8W
		R730	0RH1000D622 MCR10EZHJ101 100OHM 5% 1/8W
		R732	0RH1001D622 MCR10EZHJ102 1KOHM 5% 1/8W
		R737	0RH4701D622 MCR10EZHJ472 4.7KOHM 5% 1/8
		R738	0RH4701D622 MCR10EZHJ472 4.7KOHM 5% 1/8
		R752	0RH0000D622 MCR10EZHJ000 0OHM 5% 1/8W 2
		R753	0RH0000D622 MCR10EZHJ000 0OHM 5% 1/8W 2
		R755	0RH0102D622 MCR10EZHJ100 100OHM 5% 1/8W
		R756	0RH0102D622 MCR10EZHJ100 100OHM 5% 1/8W
		R760	0RH0000D622 MCR10EZHJ000 0OHM 5% 1/8W 2
		R761	0RH0000D622 MCR10EZHJ000 0OHM 5% 1/8W 2
		R802	0RH8200D622 MCR10EZHJ821 820OHM 5% 1/8W
		R803	0RH0000D622 MCR10EZHJ000 0OHM 5% 1/8W 2

DATE: 2006. 03.03.			
*S	*AL	LOC. NO.	PART NO. DESCRIPTION / SPECIFICATION
		R805	0RH0752D622 MCR10EZHJ750 750OHM 5% 1/8W
		R806	0RH4700D622 MCR10EZHJ471 470OHM 5% 1/8W
		R809	0RH0102D622 MCR10EZHJ100 100OHM 5% 1/8W
		R83	0RH1000D622 MCR10EZHJ101 100OHM 5% 1/8W
		R85	0RH1000D622 MCR10EZHJ101 100OHM 5% 1/8W
		R850	0RH4701D622 MCR10EZHJ472 4.7KOHM 5% 1/8
		R851	0RH4701D622 MCR10EZHJ472 4.7KOHM 5% 1/8
		R854	0RH0000D622 MCR10EZHJ000 0OHM 5% 1/8W 2
		R87	0RH1000D622 MCR10EZHJ101 100OHM 5% 1/8W
		R89	0RH1000D622 MCR10EZHJ101 100OHM 5% 1/8W
		R930	0RH3301D622 MCR10EZHJ332 3.3KOHM 5% 1/8
		R931	0RH3301D622 MCR10EZHJ332 3.3KOHM 5% 1/8
		R941	0RH1000D622 MCR10EZHJ101 100OHM 5% 1/8W
		R960	0RH1000D622 MCR10EZHJ101 100OHM 5% 1/8W
		R963	0RH1002D622 MCR10EZHJ103 10KOHM 5% 1/8W
		R964	0RH0000D622 MCR10EZHJ000 0OHM 5% 1/8W 2
		R973	0RH1202D622 MCR10EZHJ123 12KOHM 5% 1/8W
		R974	0RH4701D622 MCR10EZHJ472 4.7KOHM 5% 1/8
		R976	0RH4701D622 MCR10EZHJ472 4.7KOHM 5% 1/8
		R978	0RH4701D622 MCR10EZHJ472 4.7KOHM 5% 1/8
		R979	0RH0000D622 MCR10EZHJ000 0OHM 5% 1/8W 2
		R983	0RH1002D622 MCR10EZHJ103 10KOHM 5% 1/8W
		R994	0RH1002D622 MCR10EZHJ103 10KOHM 5% 1/8W
		R999	0RH0000D622 MCR10EZHJ000 0OHM 5% 1/8W 2
		R100	0RJ1000D677 MCR03EZHJ101 100OHM 5% 1/10
		R1013	0RJ0000D677 MCR03EZHJ000 0OHM 5% 1/10W
		R1015	0RJ0000D677 MCR03EZHJ000 0OHM 5% 1/10W
		R102	0RJ1000D677 MCR03EZHJ101 100OHM 5% 1/10
		R1027	0RJ1202D677 MCR03EZHJ123 12KOHM 5% 1/10
		R1028	0RJ2200D677 MCR03EZHJ221 220OHM 5% 1/10
		R108	0RJ1000D677 MCR03EZHJ101 100OHM 5% 1/10
		R109	0RJ1000D677 MCR03EZHJ101 100OHM 5% 1/10
		R110	0RJ1000D677 MCR03EZHJ101 100OHM 5% 1/10
		R111	0RJ1000D677 MCR03EZHJ101 100OHM 5% 1/10
		R1110	0RJ0000D677 MCR03EZHJ000 0OHM 5% 1/10W
		R112	0RJ1000D677 MCR03EZHJ101 100OHM 5% 1/10
		R113	0RJ1000D677 MCR03EZHJ101 100OHM 5% 1/10
		R114	0RJ1000D677 MCR03EZHJ101 100OHM 5% 1/10
		R115	0RJ1000D677 MCR03EZHJ101 100OHM 5% 1/10
		R116	0RJ1000D677 MCR03EZHJ101 100OHM 5% 1/10
		R117	0RJ1000D677 MCR03EZHJ101 100OHM 5% 1/10
		R120	0RJ1000D677 MCR03EZHJ101 100OHM 5% 1/10
		R121	0RJ0000D677 MCR03EZHJ000 0OHM 5% 1/10W
		R122	0RJ1000D677 MCR03EZHJ101 100OHM 5% 1/10
		R123	0RJ2202D677 MCR03EZHJ223 22KOHM 5% 1/10
		R124	0RJ1500D677 MCR03EZHJ151 150OHM 5% 1/10
		R125	0RJ4701D677 MCR03EZHJ472 4.7KOHM 5% 1/1
		R127	0RJ3301D677 MCR03EZHJ332 3.3KOHM 5% 1/1
		R130	0RJ1002D677 MCR03EZHJ103 10KOHM 5% 1/10
		R1300	0RJ6801D477 MCR03EZHJ682 6.8KOHM 1% 1/1
		R1302	0RJ2202D477 MCR03EZHJ223 22KOHM 1% 1/10
		R1303	0RJ6801D477 MCR03EZHJ682 6.8KOHM 1% 1/1
		R1305	0RJ2202D477 MCR03EZHJ223 22KOHM 1% 1/10
		R131	0RJ1002D677 MCR03EZHJ103 10KOHM 5% 1/10
		R136	0RJ8202D677 MCR03EZHJ823 82KOHM 5% 1/10
		R137	0RJ8202D677 MCR03EZHJ823 82KOHM 5% 1/10
		R138	0RJ1002D677 MCR03EZHJ103 10KOHM 5% 1/10
		R139	0RJ1002D677 MCR03EZHJ103 10KOHM 5% 1/10
		R1500	0RJ1002D677 MCR03EZHJ103 10KOHM 5% 1/10
		R152	0RJ0000D677 MCR03EZHJ000 0OHM 5% 1/10W
		R153	0RJ0000D677 MCR03EZHJ000 0OHM 5% 1/10W
		R155	0RJ2700D677 MCR03EZHJ271 270OHM 5% 1/10

DATE: 2006. 03.03.				
*S	*AL	LOC. NO.	PART NO.	DESCRIPTION / SPECIFICATION
		R157	0RJ2700D677	MCR03EZPJ271 270OHM 5% 1/10
		R159	0RJ2700D677	MCR03EZPJ271 270OHM 5% 1/10
		R160	0RJ1500D677	MCR03EZPJ151 150OHM 5% 1/10
		R161	0RJ0222D677	MCR03EZPJ220 22OHM 5% 1/10W
		R163	0RJ1500D677	MCR03EZPJ151 150OHM 5% 1/10
		R164	0RJ1500D677	MCR03EZPJ151 150OHM 5% 1/10
		R173	0RJ3301D677	MCR03EZPJ332 3.3KOHM 5% 1/1
		R175	0RJ3301D677	MCR03EZPJ332 3.3KOHM 5% 1/1
		R18	0RJ0000D677	MCR03EZPJ000 0OHM 5% 1/10W
		R205	0RJ0682D677	MCR03EZPJ680 68OHM 5% 1/10W
		R207	0RJ0752D677	MCR03EZPJ750 75OHM 5% 1/10W
		R209	0RJ0222D677	MCR03EZPJ220 22OHM 5% 1/10W
		R210	0RJ2402D677	MCR03EZPJ243 24KOHM 5% 1/10
		R211	0RJ5602D477	MCR03EZPF563 56KOHM 1% 1/10
		R213	0RJ1501D677	MCR03EZPJ152 1.5KOHM 5% 1/1
		R214	0RJ1501D677	MCR03EZPJ152 1.5KOHM 5% 1/1
		R218	0RJ1001D677	MCR03EZPJ102 1KOHM 5% 1/10W
		R220	0RJ1001D677	MCR03EZPJ102 1KOHM 5% 1/10W
		R237	0RJ0682D677	MCR03EZPJ680 68OHM 5% 1/10W
		R238	0RJ0222D677	MCR03EZPJ220 22OHM 5% 1/10W
		R239	0RJ0752D677	MCR03EZPJ750 75OHM 5% 1/10W
		R240	0RJ0222D677	MCR03EZPJ220 22OHM 5% 1/10W
		R241	0RJ0752D677	MCR03EZPJ750 75OHM 5% 1/10W
		R244	0RJ0000D677	MCR03EZPJ000 0OHM 5% 1/10W
		R245	0RJ0752D677	MCR03EZPJ750 75OHM 5% 1/10W
		R246	0RJ0000D677	MCR03EZPJ000 0OHM 5% 1/10W
		R247	0RJ0752D677	MCR03EZPJ750 75OHM 5% 1/10W
		R248	0RJ0000D677	MCR03EZPJ000 0OHM 5% 1/10W
		R249	0RJ0752D677	MCR03EZPJ750 75OHM 5% 1/10W
		R250	0RJ2402D677	MCR03EZPJ243 24KOHM 5% 1/10
		R251	0RJ5602D477	MCR03EZPF563 56KOHM 1% 1/10
		R253	0RJ6801D677	MCR03EZPJ682 6.8KOHM 5% 1/1
		R254	0RJ6801D677	MCR03EZPJ682 6.8KOHM 5% 1/1
		R256	0RJ1001D677	MCR03EZPJ102 1KOHM 5% 1/10W
		R257	0RJ1001D677	MCR03EZPJ102 1KOHM 5% 1/10W
		R303	0RJ1002D677	MCR03EZPJ103 10KOHM 5% 1/10
		R317	0RJ2700D677	MCR03EZPJ271 270OHM 5% 1/10
		R319	0RJ2700D677	MCR03EZPJ271 270OHM 5% 1/10
		R321	0RJ2700D677	MCR03EZPJ271 270OHM 5% 1/10
		R323	0RJ1500D677	MCR03EZPJ151 150OHM 5% 1/10
		R326	0RJ6201D677	MCR03EZPJ622 6.2KOHM 5% 1/1
		R329	0RJ6201D677	MCR03EZPJ622 6.2KOHM 5% 1/1
		R34	0RJ0000D677	MCR03EZPJ000 0OHM 5% 1/10W
		R35	0RJ0000D677	MCR03EZPJ000 0OHM 5% 1/10W
		R356	0RJ1002D677	MCR03EZPJ103 10KOHM 5% 1/10
		R357	0RJ1002D677	MCR03EZPJ103 10KOHM 5% 1/10
		R358	0RJ1002D677	MCR03EZPJ103 10KOHM 5% 1/10
		R359	0RJ1002D677	MCR03EZPJ103 10KOHM 5% 1/10
		R385	0RJ6800D677	MCR03EZPJ681 680OHM 5% 1/10
		R387	0RJ0000D677	MCR03EZPJ000 0OHM 5% 1/10W
		R390	0RJ6800D677	MCR03EZPJ681 680OHM 5% 1/10
		R392	0RJ6800D677	MCR03EZPJ681 680OHM 5% 1/10
		R393	0RJ6800D677	MCR03EZPJ681 680OHM 5% 1/10
		R4005	0RJ0472D677	MCR03EZPJ470 47OHM 5% 1/10W
		R4006	0RJ0472D677	MCR03EZPJ470 47OHM 5% 1/10W
		R4015	0RJ0000D677	MCR03EZPJ000 0OHM 5% 1/10W
		R4016	0RJ0000D677	MCR03EZPJ000 0OHM 5% 1/10W
		R4019	0RJ0000D677	MCR03EZPJ000 0OHM 5% 1/10W
		R4020	0RJ1001D677	MCR03EZPJ102 1KOHM 5% 1/10W
		R4022	0RJ0000D677	MCR03EZPJ000 0OHM 5% 1/10W
		R4023	0RJ0000D677	MCR03EZPJ000 0OHM 5% 1/10W
		R4024	0RJ0472D677	MCR03EZPJ470 47OHM 5% 1/10W

DATE: 2006. 03.03.				
*S	*AL	LOC. NO.	PART NO.	DESCRIPTION / SPECIFICATION
		R4027	0RJ3001D677	MCR03EZPJ302 3KOHM 5% 1/10W
		R4032	0RJ4700D677	MCR03EZPJ471 470OHM 5% 1/10
		R4033	0RJ4700D677	MCR03EZPJ471 470OHM 5% 1/10
		R449	0RJ0000D677	MCR03EZPJ000 0OHM 5% 1/10W
		R450	0RJ0000D677	MCR03EZPJ000 0OHM 5% 1/10W
		R451	0RJ0000D677	MCR03EZPJ000 0OHM 5% 1/10W
		R47	0RJ0000D677	MCR03EZPJ000 0OHM 5% 1/10W
		R48	0RJ1000D677	MCR03EZPJ101 100OHM 5% 1/10
		R50	0RJ1000D677	MCR03EZPJ101 100OHM 5% 1/10
		R500	0RJ1002D677	MCR03EZPJ103 10KOHM 5% 1/10
		R5002	0RJ0000D677	MCR03EZPJ000 0OHM 5% 1/10W
		R5007	0RJ0000D677	MCR03EZPJ000 0OHM 5% 1/10W
		R5009	0RJ0000D677	MCR03EZPJ000 0OHM 5% 1/10W
		R501	0RJ1002D677	MCR03EZPJ103 10KOHM 5% 1/10
		R5013	0RJ1002D677	MCR03EZPJ103 10KOHM 5% 1/10
		R5015	0RJ0000D677	MCR03EZPJ000 0OHM 5% 1/10W
		R5016	0RJ0000D677	MCR03EZPJ000 0OHM 5% 1/10W
		R5017	0RJ0000D677	MCR03EZPJ000 0OHM 5% 1/10W
		R5019	0RJ0000D677	MCR03EZPJ000 0OHM 5% 1/10W
		R5020	0RJ0000D677	MCR03EZPJ000 0OHM 5% 1/10W
		R5021	0RJ0000D677	MCR03EZPJ000 0OHM 5% 1/10W
		R504	0RJ1001D677	MCR03EZPJ102 1KOHM 5% 1/10W
		R51	0RJ1000D677	MCR03EZPJ101 100OHM 5% 1/10
		R515	0RJ4703D677	MCR03EZPJ474 470KOHM 5% 1/1
		R52	0RJ1000D677	MCR03EZPJ101 100OHM 5% 1/10
		R521	0RJ0222D677	MCR03EZPJ220 22OHM 5% 1/10W
		R522	0RJ0332D677	MCR03EZPJ330 33OHM 5% 1/10W
		R523	0RJ0222D677	MCR03EZPJ220 22OHM 5% 1/10W
		R524	0RJ0332D677	MCR03EZPJ330 33OHM 5% 1/10W
		R525	0RJ0222D677	MCR03EZPJ220 22OHM 5% 1/10W
		R526	0RJ0332D677	MCR03EZPJ330 33OHM 5% 1/10W
		R528	0RJ0222D677	MCR03EZPJ220 22OHM 5% 1/10W
		R529	0RJ0000D677	MCR03EZPJ000 0OHM 5% 1/10W
		R53	0RJ1000D677	MCR03EZPJ101 100OHM 5% 1/10
		R533	0RJ0222D677	MCR03EZPJ220 22OHM 5% 1/10W
		R534	0RJ0222D677	MCR03EZPJ220 22OHM 5% 1/10W
		R54	0RJ1000D677	MCR03EZPJ101 100OHM 5% 1/10
		R55	0RJ1000D677	MCR03EZPJ101 100OHM 5% 1/10
		R56	0RJ1000D677	MCR03EZPJ101 100OHM 5% 1/10
		R57	0RJ1000D677	MCR03EZPJ101 100OHM 5% 1/10
		R58	0RJ1000D677	MCR03EZPJ101 100OHM 5% 1/10
		R59	0RJ1211D477	MCR03EZPF1211 1.21KOHM 1% 1
		R60	0RJ1000D677	MCR03EZPJ101 100OHM 5% 1/10
		R600	0RJ1000D677	MCR03EZPJ101 100OHM 5% 1/10
		R601	0RJ1000D677	MCR03EZPJ101 100OHM 5% 1/10
		R602	0RJ1000D677	MCR03EZPJ101 100OHM 5% 1/10
		R603	0RJ1000D677	MCR03EZPJ101 100OHM 5% 1/10
		R604	0RJ0000D677	MCR03EZPJ000 0OHM 5% 1/10W
		R606	0RJ1000D677	MCR03EZPJ101 100OHM 5% 1/10
		R608	0RJ1000D677	MCR03EZPJ101 100OHM 5% 1/10
		R609	0RJ1000D677	MCR03EZPJ101 100OHM 5% 1/10
		R62	0RJ1000D677	MCR03EZPJ101 100OHM 5% 1/10
		R64	0RJ1000D677	MCR03EZPJ101 100OHM 5% 1/10
		R66	0RJ1000D677	MCR03EZPJ101 100OHM 5% 1/10
		R68	0RJ1000D677	MCR03EZPJ101 100OHM 5% 1/10
		R70	0RJ1000D677	MCR03EZPJ101 100OHM 5% 1/10
		R701	0RJ1001D677	MCR03EZPJ102 1KOHM 5% 1/10W
		R702	0RJ1001D677	MCR03EZPJ102 1KOHM 5% 1/10W
		R706	0RJ0000D677	MCR03EZPJ000 0OHM 5% 1/10W
		R71	0RJ1000D677	MCR03EZPJ101 100OHM 5% 1/10
		R711	0RJ0222D677	MCR03EZPJ220 22OHM 5% 1/10W
		R717	0RJ1000D677	MCR03EZPJ101 100OHM 5% 1/10

DATE: 2006. 03.03.				
*S	*AL	LOC. NO.	PART NO.	DESCRIPTION / SPECIFICATION
		R718	0RJ1000D677	MCR03EZPJ101 100OHM 5% 1/10
		R72	0RJ1000D677	MCR03EZPJ101 100OHM 5% 1/10
		R720	0RJ0222D677	MCR03EZPJ220 22OHM 5% 1/10W
		R721	0RJ0222D677	MCR03EZPJ220 22OHM 5% 1/10W
		R722	0RJ0222D677	MCR03EZPJ220 22OHM 5% 1/10W
		R727	0RJ1000D677	MCR03EZPJ101 100OHM 5% 1/10
		R728	0RJ0000D677	MCR03EZPJ000 0OHM 5% 1/10W
		R73	0RJ1000D677	MCR03EZPJ101 100OHM 5% 1/10
		R731	0RJ4701D677	MCR03EZPJ472 4.7KOHM 5% 1/1
		R739	0RJ0222D677	MCR03EZPJ220 22OHM 5% 1/10W
		R740	0RJ0222D677	MCR03EZPJ220 22OHM 5% 1/10W
		R751	0RJ0000D677	MCR03EZPJ000 0OHM 5% 1/10W
		R754	0RJ0000D677	MCR03EZPJ000 0OHM 5% 1/10W
		R757	0RJ0000D677	MCR03EZPJ000 0OHM 5% 1/10W
		R758	0RJ0000D677	MCR03EZPJ000 0OHM 5% 1/10W
		R759	0RJ0000D677	MCR03EZPJ000 0OHM 5% 1/10W
		R79	0RJ1000D677	MCR03EZPJ101 100OHM 5% 1/10
		R800	0RJ0752D677	MCR03EZPJ750 75OHM 5% 1/10W
		R801	0RJ0752D677	MCR03EZPJ750 75OHM 5% 1/10W
		R807	0RJ0102D677	MCR03EZPJ100 10OHM 5% 1/10W
		R808	0RJ0102D677	MCR03EZPJ100 10OHM 5% 1/10W
		R81	0RJ1000D677	MCR03EZPJ101 100OHM 5% 1/10
		R852	0RJ4701D677	MCR03EZPJ472 4.7KOHM 5% 1/1
		R853	0RJ4701D677	MCR03EZPJ472 4.7KOHM 5% 1/1
		R855	0RJ1000D677	MCR03EZPJ101 100OHM 5% 1/10
		R856	0RJ1000D677	MCR03EZPJ101 100OHM 5% 1/10
		R86	0RJ1000D677	MCR03EZPJ101 100OHM 5% 1/10
		R88	0RJ1000D677	MCR03EZPJ101 100OHM 5% 1/10
		R90	0RJ1000D677	MCR03EZPJ101 100OHM 5% 1/10
		R901	0RJ0472D677	MCR03EZPJ470 47OHM 5% 1/10W
		R902	0RJ0472D677	MCR03EZPJ470 47OHM 5% 1/10W
		R904	0RJ0472D677	MCR03EZPJ470 47OHM 5% 1/10W
		R906	0RJ0472D677	MCR03EZPJ470 47OHM 5% 1/10W
		R908	0RJ0822D677	MCR03EZPJ820 82OHM 5% 1/10W
		R909	0RJ0822D677	MCR03EZPJ820 82OHM 5% 1/10W
		R910	0RJ0822D677	MCR03EZPJ820 82OHM 5% 1/10W
		R913	0RJ1000D677	MCR03EZPJ101 100OHM 5% 1/10
		R914	0RJ1000D677	MCR03EZPJ101 100OHM 5% 1/10
		R915	0RJ1000D677	MCR03EZPJ101 100OHM 5% 1/10
		R916	0RJ1000D677	MCR03EZPJ101 100OHM 5% 1/10
		R917	0RJ1000D677	MCR03EZPJ101 100OHM 5% 1/10
		R918	0RJ1000D677	MCR03EZPJ101 100OHM 5% 1/10
		R919	0RJ1000D677	MCR03EZPJ101 100OHM 5% 1/10
		R92	0RJ1000D677	MCR03EZPJ101 100OHM 5% 1/10
		R920	0RJ4990D477	MCR03EZPF4990 499OHM 1% 1/1
		R921	0RJ4990D477	MCR03EZPF4990 499OHM 1% 1/1
		R923	0RJ0222D677	MCR03EZPJ220 22OHM 5% 1/10W
		R924	0RJ0222D677	MCR03EZPJ220 22OHM 5% 1/10W
		R925	0RJ0222D677	MCR03EZPJ220 22OHM 5% 1/10W
		R926	0RJ0222D677	MCR03EZPJ220 22OHM 5% 1/10W
		R927	0RJ1000D677	MCR03EZPJ101 100OHM 5% 1/10
		R928	0RJ1000D677	MCR03EZPJ101 100OHM 5% 1/10
		R929	0RJ1000D677	MCR03EZPJ101 100OHM 5% 1/10
		R93	0RJ1000D677	MCR03EZPJ101 100OHM 5% 1/10
		R933	0RJ1000D677	MCR03EZPJ101 100OHM 5% 1/10
		R934	0RJ1000D677	MCR03EZPJ101 100OHM 5% 1/10
		R935	0RJ1000D677	MCR03EZPJ101 100OHM 5% 1/10
		R936	0RJ1000D677	MCR03EZPJ101 100OHM 5% 1/10
		R937	0RJ1000D677	MCR03EZPJ101 100OHM 5% 1/10
		R938	0RJ1000D677	MCR03EZPJ101 100OHM 5% 1/10
		R939	0RJ1000D677	MCR03EZPJ101 100OHM 5% 1/10
		R94	0RJ1000D677	MCR03EZPJ101 100OHM 5% 1/10

DATE: 2006. 03.03.				
*S	*AL	LOC. NO.	PART NO.	DESCRIPTION / SPECIFICATION
		R940	0RJ1000D677	MCR03EZPJ101 100OHM 5% 1/10
		R942	0RJ1000D677	MCR03EZPJ101 100OHM 5% 1/10
		R943	0RJ1000D677	MCR03EZPJ101 100OHM 5% 1/10
		R944	0RJ1000D677	MCR03EZPJ101 100OHM 5% 1/10
		R945	0RJ0222D677	MCR03EZPJ220 22OHM 5% 1/10W
		R946	0RJ0222D677	MCR03EZPJ220 22OHM 5% 1/10W
		R947	0RJ1000D677	MCR03EZPJ101 100OHM 5% 1/10
		R948	0RJ1000D677	MCR03EZPJ101 100OHM 5% 1/10
		R949	0RJ1000D677	MCR03EZPJ101 100OHM 5% 1/10
		R950	0RJ1000D677	MCR03EZPJ101 100OHM 5% 1/10
		R952	0RJ1002D677	MCR03EZPJ103 10KOHM 5% 1/10
		R953	0RJ1002D677	MCR03EZPJ103 10KOHM 5% 1/10
		R96	0RJ1000D677	MCR03EZPJ101 100OHM 5% 1/10
		R965	0RJ0222D677	MCR03EZPJ220 22OHM 5% 1/10W
		R966	0RJ0222D677	MCR03EZPJ220 22OHM 5% 1/10W
		R967	0RJ0222D677	MCR03EZPJ220 22OHM 5% 1/10W
		R968	0RJ0222D677	MCR03EZPJ220 22OHM 5% 1/10W
		R972	0RJ1000D677	MCR03EZPJ101 100OHM 5% 1/10
		R975	0RJ1000D677	MCR03EZPJ101 100OHM 5% 1/10
		R98	0RJ1000D677	MCR03EZPJ101 100OHM 5% 1/10
		R981	0RJ0000D677	MCR03EZPJ000 0OHM 5% 1/10W
		R982	0RJ6801D477	MCR03EZPF682 6.8KOHM 1% 1/1
		R984	0RJ2202D477	MCR03EZPF223 22KOHM 1% 1/10
		R985	0RJ0000D677	MCR03EZPJ000 0OHM 5% 1/10W
		R986	0RJ0000D677	MCR03EZPJ000 0OHM 5% 1/10W
		R99	0RJ1000D677	MCR03EZPJ101 100OHM 5% 1/10
OTHERs				
		X4000	6202TTB001G	HC-49/U 12.288MHZ 30PPM 12.
		X11	6202VDT002E	SX-1 20.25MHZ 20.25MHZ 30PP
		X500	6202VDT002J	SX-1 13.5MHZ 30PPM 13.5MHZ
		X900	6202VDT002B	SX-1 14.31818MHZ 30PPM 14.3
		IC900	6620F00017A	CCSD-32T-SM 32P 1.27MM SMD
		TU1000	6700VS0003E	TAEW-G053D PAL-B/G 4.525E7T
IR BOARD				
		C1500	0CN1040K949	CH UP050 F104Z-B-B Z 100000
		L1500	0LA0102K119	LAL02TB100K 10UH 10% - 160M
		IR1500	6712000013A	TSOP4438SO1 4.5TO5.5V 1.5MA
CONTROL BOARD				
		L1700	0LA0102K119	LAL02TB100K 10UH 10% - 160M
		R1700	0RN8200F409	RN-96T1F820R 820OHM 1% 1/6W
		R1701	0RN6200F409	RN-96T1F620R 620OHM 1% 1/6W
		R1702	0RN5100F409	RN-96T1F510R 510OHM 1% 1/6W
		R1703	0RN4300F409	RN-96T1F430R 430OHM 1% 1/6W
		R1704	0RN3300F409	RN-96T1F330R 330OHM 1% 1/6W
		R1705	0RN2700F409	RN-96T1F270R 270OHM 1% 1/6W
		R1706	0RN2701F409	RN-96T1F2K70 2.7KOHM 1% 1/6
		SW1700	140-313A	THVV501BBC 1C1P 12VDC 0.05A
		SW1701	140-313A	THVV501BBC 1C1P 12VDC 0.05A
		SW1702	140-313A	THVV501BBC 1C1P 12VDC 0.05A
		SW1703	140-313A	THVV501BBC 1C1P 12VDC 0.05A
		SW1704	140-313A	THVV501BBC 1C1P 12VDC 0.05A
		SW1705	140-313A	THVV501BBC 1C1P 12VDC 0.05A
		SW1706	140-313A	THVV501BBC 1C1P 12VDC 0.05A

