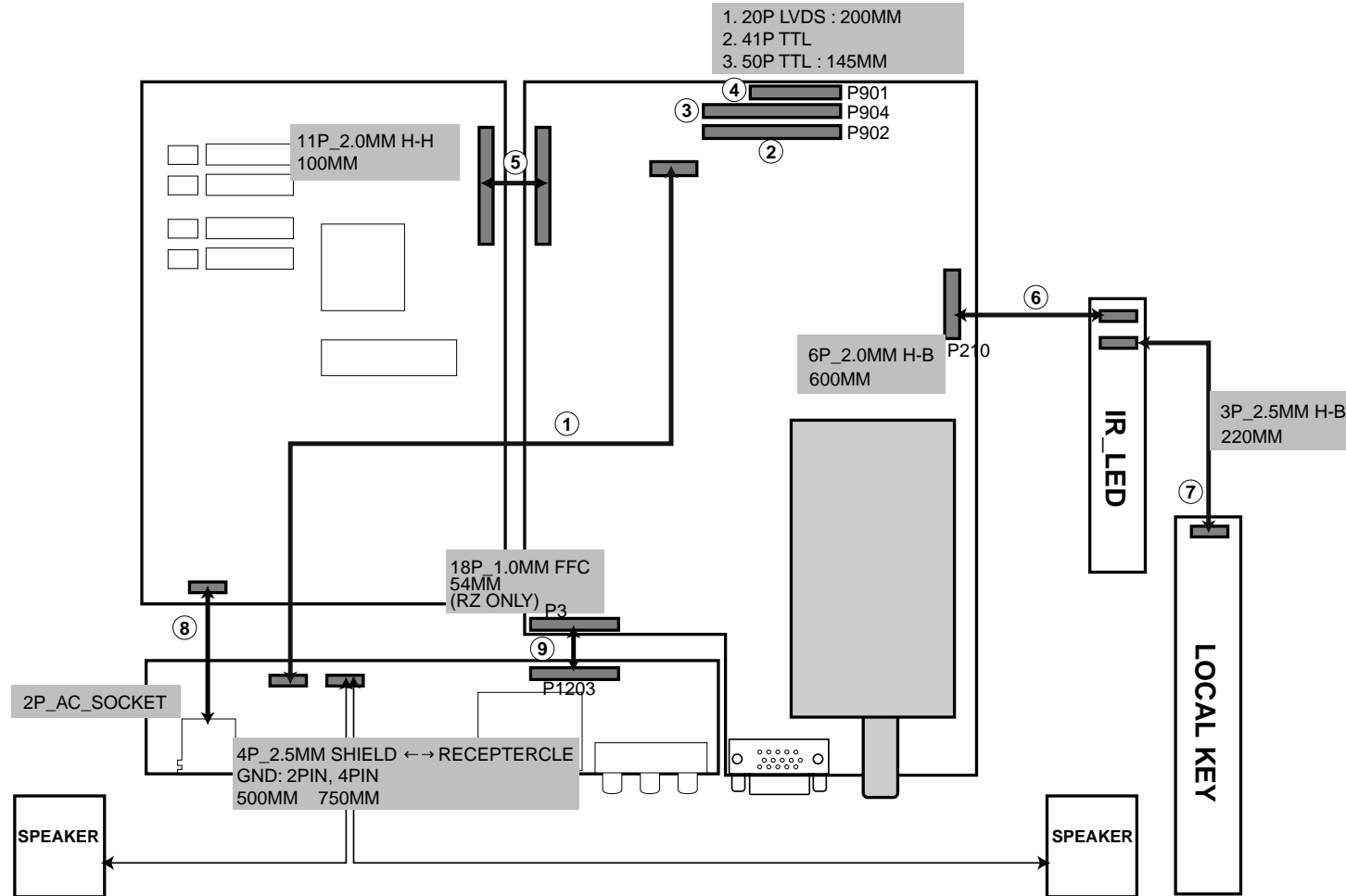


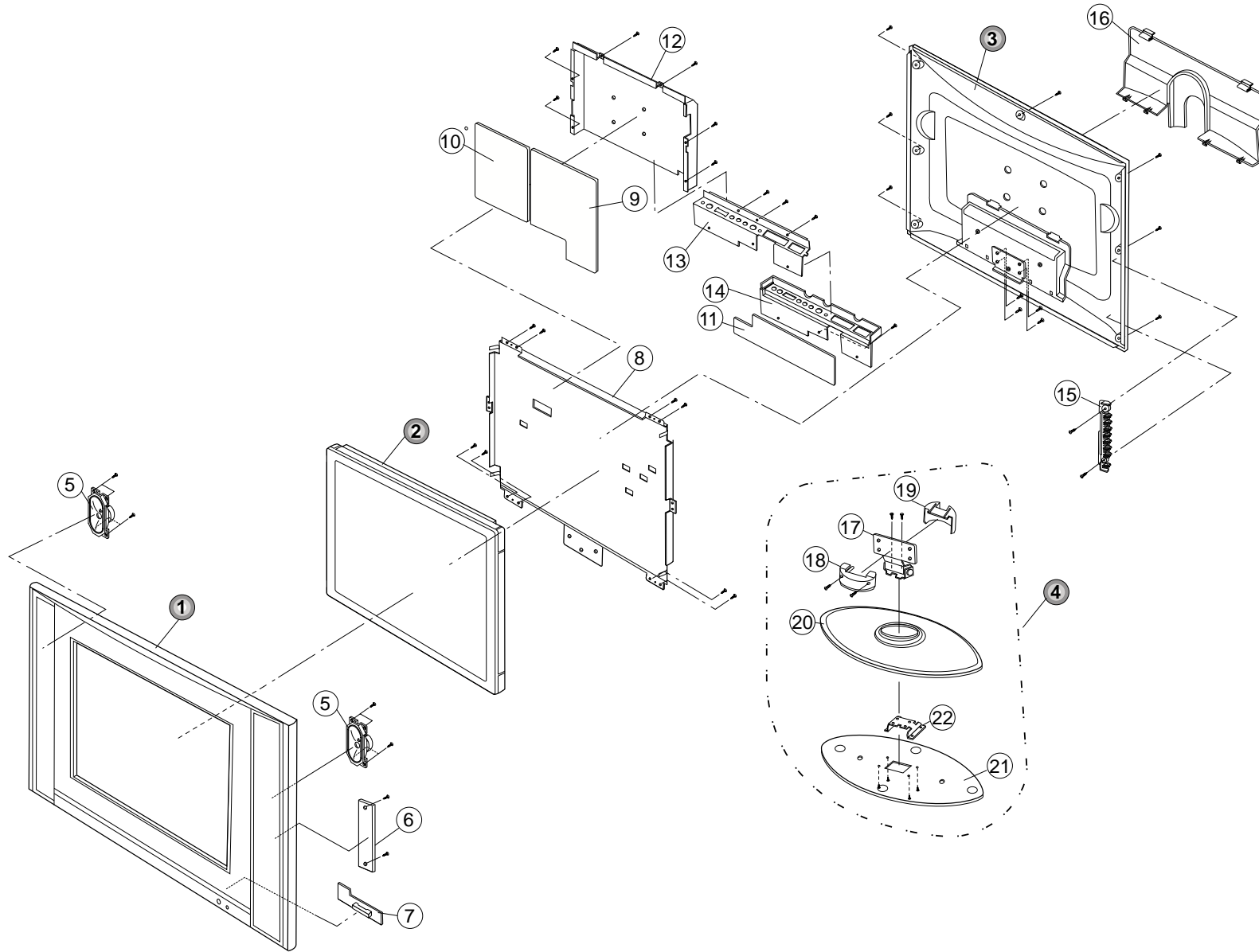
# WIRING DIAGRAM



## Wiring Part List

No.	Part No.
1	6631T25019Y
2	6631T11017P-CMO 6631T11017Q-AUO
3	6631T11021A
4	6631T11012R
5	6631T20028G
6	6631T20029X
7	6631T25021A
8	6620K00007C or 6620K00007A
9	6631T11017R

# EXPLODED VIEW



## EXPLODED VIEW PARTS LIST

No.	PART NO.	DESCRIPTION
1	3091V00587A	CABINET ASSEMBLY RZ-20LA70 NON NON ML024D
	3091V00587C	CABINET ASSEMBLY RZ-20LA70 STEREO ML024D C/SKD
2	6306V20002A	LCD(LIQUID CRYSTAL DISPLAY), V201V1-T02 VGA <b>CHIMEI TFT COLOR NON</b>
	6304FAU017A	LCD(LIQUID CRYSTAL DISPLAY), A201SN01N01-V6 <b>AU TFT COLOR TN 500NITS 16MS</b>
3	3809TKD002R	BACK COVER ASSEMBLY, RM-20LA70 3808V00427 FOR RUSSIA (ML041B)
	3809TKD002M	BACK COVER ASSEMBLY, RZ-20LA70 3808V00427 ML041B(SCART)
	3809TKD002P	BACK COVER ASSEMBLY, RM-20LA70 3808V00427 FOR RUSSIA(ML-041B)
4	4811V00073A	BRACKET ASSEMBLY, STAND RZ-20LA70 NON .
	4811V00073C	BRACKET ASSEMBLY, STAND RZ-20LA70 ML024D C/SKD.
5	6400GKTX01C	SPEAKER,FULLRANGE, F1527C-6428-4 K-TONE FULL-RANGE(GENERAL) 4 OHM 7/12W 85DB OTHERS 40*70MM TRACK TYPE
6	6871TST562A	PWB(PCB) ASSEMBLY,SUB, RM-20LA77 ML041B SUB TOTAL BRAND CONTROL BOARD ASSY
7	6871TST563A	PWB(PCB) ASSEMBLY,SUB, RM-20LA77 ML041B SUB TOTAL BRAND IR BOARD ASSY
8	4951TKS175C	METAL ASSEMBLY, FRAME METAL, ASSY 20LA70( <b>CMO</b> )
	4951TKS175A	METAL ASSEMBLY, FRAME METAL, ASSY 20LA70( <b>AUO</b> )
	4951TKS175E	METAL ASSEMBLY, FRAME METAL, ASSY 20LA70( <b>AUO,CKD</b> )
	4951TKS175G	METAL ASSEMBLY, FRAME METAL, ASSY 20LA70( <b>CMO, CKD</b> )
9	3313TP2029A	MAIN TOTAL ASSEMBLY, RZ-20LA70(CMO) BRAND ML-041B
10	6871TPT280A	PWB(PCB) ASSEMBLY,POWER, RM-20LA77 POWER TOTAL LIEN CHANG LIPS FOR CMO/AUO
11	6871TST615A	PWB(PCB) ASSEMBLY,SUB, RZ-17LZ50 SUB TOTAL BRAND JACK(SCART) BOARD ASSY
12	4951TKK186E	METAL ASSEMBLY, SHIELD REAR RZ-20LA70
	4951TKK186F	METAL ASSEMBLY, SHIELD REAR RZ-20LA70 CKD
13	4950TKK916B	METAL, PLATE 15, 20LA70 REAR A/V "B" T
14	4810V00925B	BRACKET, REAR AV RZ-15LA70 ML024E HIPS .
15	5020V00871A	BUTTON, CONTROL RZ-20LA70 ABS 8KEY .
16	3550V00383A	COVER, REAR AV RZ-20LA70 HIPS 60HR .
17	4950V00157E	METAL, HINGE ASSY NON 20LA70
18	4810V00767A	BRACKET, STAND 20LA60 ML012B NON HINGE FRONT
19	4810V00768A	BRACKET, STAND 20LA60 ML012B NON HINGE COVER
20	4810V00924A	BRACKET, STAND RZ-20LA70 NON ABS .
21	4950V00194A	METAL, STAND SPCC(CR) SUPPORTER(LA70)
22	4950V00193A	METAL, STAND SPCC(CR) BASE(20LA70)

# REPLACEMENT PARTS LIST

For Capacitor & Resistors, the characters at 2nd and 3rd digit in the P/No. means as follows;	CC, CX, CK, CN, CH : Ceramic CQ : Polyester CE : Electrolytic CF : Fixed Film	RD : Carbon Film RS : Metal Oxide Film RN : Metal Film RH : CHIP, Metal Glazed(Chip) RR : Drawing
---	--	---

DATE: 2004. 6. 16.				
*S	*AL	LOC. NO.	PART NO.	DESCRIPTION / SPECIFICATION
<b>MAIN BOARD</b>				
<b>CAPACITOR</b>				
			C1008	0CE227CF638 "220UF SHL,SD 16V M FM5 TP 5"
			C1101	0CE227BH638 220U KME 25V M FM5 TP5
			C1104	0CE227BH638 220U KME 25V M FM5 TP5
			C1107	0CE477BH618 470UF KME TYPE 25V M FL TP 5
			C1140	0CE227BH638 220U KME 25V M FM5 TP5
			C1152	0CE107BK638 100UF KME 50V M FM5 TP5
			C123	0CE477BH618 470UF KME TYPE 25V M FL TP 5
			C124	0CE477BH618 470UF KME TYPE 25V M FL TP 5
			C131	0CE477BH618 470UF KME TYPE 25V M FL TP 5
			C132	0CE477BH618 470UF KME TYPE 25V M FL TP 5
			C133	0CE477BH618 470UF KME TYPE 25V M FL TP 5
			C134	0CE477BH618 470UF KME TYPE 25V M FL TP 5
			C1150	0CH3105F946 1UF 16V Z F 2012 R/TP
			C1151	0CH3104K946 100000PF 50V Z F 2012 R/TP
			C127	0CH3104K946 100000PF 50V Z F 2012 R/TP
			C128	0CH3104K946 100000PF 50V Z F 2012 R/TP
			C135	0CH3104K946 100000PF 50V Z F 2012 R/TP
			C136	0CH3104K946 100000PF 50V Z F 2012 R/TP
			C15	0CH3104K946 100000PF 50V Z F 2012 R/TP
			C16	0CH3104K946 100000PF 50V Z F 2012 R/TP
			C19	0CH3104K946 100000PF 50V Z F 2012 R/TP
			C203	0CH3104K946 100000PF 50V Z F 2012 R/TP
			C4	0CH3104K946 100000PF 50V Z F 2012 R/TP
			C41	0CH3104K946 100000PF 50V Z F 2012 R/TP
			C44	0CH3104K946 100000PF 50V Z F 2012 R/TP
			C49	0CH3104K946 100000PF 50V Z F 2012 R/TP
			C6	0CH3104K946 100000PF 50V Z F 2012 R/TP
			C803	0CH3105F946 1UF 16V Z F 2012 R/TP
			C804	0CH3104K946 100000PF 50V Z F 2012 R/TP
			C808	0CH3104K946 100000PF 50V Z F 2012 R/TP
			C810	0CH3104K946 100000PF 50V Z F 2012 R/TP
			C812	0CH3105F946 1UF 16V Z F 2012 R/TP
			C851	0CH3104K946 100000PF 50V Z F 2012 R/TP
			C854	0CH3104K946 100000PF 50V Z F 2012 R/TP
			C855	0CH3104K946 100000PF 50V Z F 2012 R/TP
			C858	0CH3104K946 100000PF 50V Z F 2012 R/TP
			C863	0CH3104K946 100000PF 50V Z F 2012 R/TP
			C866	0CH3104K946 100000PF 50V Z F 2012 R/TP
			C867	0CH3104K946 100000PF 50V Z F 2012 R/TP
			C869	0CH3104K946 100000PF 50V Z F 2012 R/TP
			C871	0CH3104K946 100000PF 50V Z F 2012 R/TP
			C874	0CH3104K946 100000PF 50V Z F 2012 R/TP
			C875	0CH3104K946 100000PF 50V Z F 2012 R/TP
			C877	0CH3104K946 100000PF 50V Z F 2012 R/TP
			C909	0CH3104K946 100000PF 50V Z F 2012 R/TP
			C910	0CH3104K946 100000PF 50V Z F 2012 R/TP
			C917	0CH3104K946 100000PF 50V Z F 2012 R/TP
			C920	0CH3104K946 100000PF 50V Z F 2012 R/TP
			C925	0CH3104K946 100000PF 50V Z F 2012 R/TP
			C926	0CH3104K946 100000PF 50V Z F 2012 R/TP
			C927	0CH3104K946 100000PF 50V Z F 2012 R/TP
			C928	0CH3104K946 100000PF 50V Z F 2012 R/TP
			C929	0CH3104K946 100000PF 50V Z F 2012 R/TP

DATE: 2004. 06. 16.				
*S	*AL	LOC. NO.	PART NO.	DESCRIPTION / SPECIFICATION
			C930	0CH3104K946 100000PF 50V Z F 2012 R/TP
			C934	0CH3104K946 100000PF 50V Z F 2012 R/TP
			C935	0CH3104K946 100000PF 50V Z F 2012 R/TP
			C936	0CH3104K946 100000PF 50V Z F 2012 R/TP
			C937	0CH3104K946 100000PF 50V Z F 2012 R/TP
			C938	0CH3104K946 100000PF 50V Z F 2012 R/TP
			C939	0CH3104K946 100000PF 50V Z F 2012 R/TP
			C940	0CH3104K946 100000PF 50V Z F 2012 R/TP
			C943	0CH3104K946 100000PF 50V Z F 2012 R/TP
			C944	0CH3104K946 100000PF 50V Z F 2012 R/TP
			C945	0CH3104K946 100000PF 50V Z F 2012 R/TP
			C946	0CH3104K946 100000PF 50V Z F 2012 R/TP
			C947	0CH3104K946 100000PF 50V Z F 2012 R/TP
			C948	0CH3104K946 100000PF 50V Z F 2012 R/TP
			C949	0CH3104K946 100000PF 50V Z F 2012 R/TP
			C950	0CH3104K946 100000PF 50V Z F 2012 R/TP
			C956	0CH3104K946 100000PF 50V Z F 2012 R/TP
			C964	0CH3104K946 100000PF 50V Z F 2012 R/TP
			C965	0CH3104K946 100000PF 50V Z F 2012 R/TP
			C967	0CH3104K946 100000PF 50V Z F 2012 R/TP
			C968	0CH3104K946 100000PF 50V Z F 2012 R/TP
			C970	0CH3104K946 100000PF 50V Z F 2012 R/TP
			C13	0CH6102K406 1000PF 50V J SL 2012 R/TP
			C14	0CH6102K406 1000PF 50V J SL 2012 R/TP
			C2	0CH6102K406 1000PF 50V J SL 2012 R/TP
			C20	0CH6102K406 1000PF 50V J SL 2012 R/TP
			C21	0CH6102K406 1000PF 50V J SL 2012 R/TP
			C46	0CH6102K406 1000PF 50V J SL 2012 R/TP
			C50	0CH6102K406 1000PF 50V J SL 2012 R/TP
			C59	0CH6102K406 1000PF 50V J SL 2012 R/TP
			C7	0CH6221K416 220PF 50V J NP0 2012 R/TP
			C8	0CH6221K416 220PF 50V J NP0 2012 R/TP
			C9	0CH6221K416 220PF 50V J NP0 2012 R/TP
			C923	0CH6050K116 5PF 50V D NP0 2012 R/TP
			C924	0CH6050K116 5PF 50V D NP0 2012 R/TP
			C129	181-007F "MPE ECQ-V1H224JL3(TR), 50V 0."
			C130	181-007F "MPE ECQ-V1H224JL3(TR), 50V 0."
			C1003	0CH3103K516 10000PF 50V 10% B(Y5P) 2012 R
			C1007	0CH3103K516 10000PF 50V 10% B(Y5P) 2012 R
			C1010	0CK273DK51A 27000PF 2012 50V 10% B(Y5P) R
			C1015	0CH5390K416 39PF 50V 5% NP0 2012 R/TP
			C1016	0CH5390K416 39PF 50V 5% NP0 2012 R/TP
			C107	0CK225DFK4A "2.2UF 2012 16V 20%,-20% F(Y5V)"
			C109	0CH3103K516 10000PF 50V 10% B(Y5P) 2012 R
			C110	0CH3103K516 10000PF 50V 10% B(Y5P) 2012 R
			C113	0CK225DFK4A "2.2UF 2012 16V 20%,-20% F(Y5V)"
			C900	0CH3103K516 10000PF 50V 10% B(Y5P) 2012 R
			C902	0CH3103K516 10000PF 50V 10% B(Y5P) 2012 R
			C955	0CH5390K416 39PF 50V 5% NP0 2012 R/TP
			C1001	0CK103CK51A 0.01UF 1608 50V 10% R/TP B(Y5
			C1002	0CK103CK51A 0.01UF 1608 50V 10% R/TP B(Y5
			C1004	0CK103CK51A 0.01UF 1608 50V 10% R/TP B(Y5
			C11	0CK104CK56A 0.1UF 1608 50V 10% R/TP X7R
			C114	0CK225DFK4A "2.2UF 2012 16V 20%,-20% F(Y5V)"

DATE: 2004. 06.16.				
*S	*AL	LOC. NO.	PART NO.	DESCRIPTION / SPECIFICATION
		C115	0CK104CK56A	0.1UF 1608 50V 10% R/TP X7R
		C116	0CK562CK51A	5600PF 1608 50V 10% R/TP B(Y5
		C117	0CK562CK51A	5600PF 1608 50V 10% R/TP B(Y5
		C118	0CK104CK56A	0.1UF 1608 50V 10% R/TP X7R
		C12	0CK104CK56A	0.1UF 1608 50V 10% R/TP X7R
		C125	0CK105EK56A	1UF 3216 50V 10% X7R R/TP
		C126	0CK105EK56A	1UF 3216 50V 10% X7R R/TP
		C200	0CK104CK56A	0.1UF 1608 50V 10% R/TP X7R
		C22	0CK822CK56A	8200PF 1608 50V 10% X7R R/TP
		C23	0CK104CK56A	0.1UF 1608 50V 10% R/TP X7R
		C24	0CK822CK56A	8200PF 1608 50V 10% X7R R/TP
		C25	0CK104CK56A	0.1UF 1608 50V 10% R/TP X7R
		C26	0CK104CK56A	0.1UF 1608 50V 10% R/TP X7R
		C27	0CK104CK56A	0.1UF 1608 50V 10% R/TP X7R
		C28	0CK334CF94A	"0.33UF 1608 16V 80%,-20% F(Y5"
		C29	0CK104CK56A	0.1UF 1608 50V 10% R/TP X7R
		C3	0CK104CK56A	0.1UF 1608 50V 10% R/TP X7R
		C30	0CK334CF94A	"0.33UF 1608 16V 80%,-20% F(Y5"
		C31	0CK104CK56A	0.1UF 1608 50V 10% R/TP X7R
		C32	0CK334CF94A	"0.33UF 1608 16V 80%,-20% F(Y5"
		C33	0CK334CF94A	"0.33UF 1608 16V 80%,-20% F(Y5"
		C34	0CK104CK56A	0.1UF 1608 50V 10% R/TP X7R
		C35	0CK334CF94A	"0.33UF 1608 16V 80%,-20% F(Y5"
		C37	0CK334CF94A	"0.33UF 1608 16V 80%,-20% F(Y5"
		C40	0CK104CK56A	0.1UF 1608 50V 10% R/TP X7R
		C42	0CK104CK56A	0.1UF 1608 50V 10% R/TP X7R
		C45	0CK104CK56A	0.1UF 1608 50V 10% R/TP X7R
		C52	0CK104CK56A	0.1UF 1608 50V 10% R/TP X7R
		C67	0CK104CK56A	0.1UF 1608 50V 10% R/TP X7R
		C75	0CK104CK56A	0.1UF 1608 50V 10% R/TP X7R
		C800	0CK105CF94A	"1UF 1608 16V 80%,-20% R/TP F("
		C801	0CK105CF94A	"1UF 1608 16V 80%,-20% R/TP F("
		C802	0CK105CF94A	"1UF 1608 16V 80%,-20% R/TP F("
		C807	0CK104CK56A	0.1UF 1608 50V 10% R/TP X7R
		C811	0CK105CF94A	"1UF 1608 16V 80%,-20% R/TP F("
		C816	0CK104CK56A	0.1UF 1608 50V 10% R/TP X7R
		C82	0CK104CK56A	0.1UF 1608 50V 10% R/TP X7R
		C861	0CK104CK56A	0.1UF 1608 50V 10% R/TP X7R
		C865	0CK104CK56A	0.1UF 1608 50V 10% R/TP X7R
		C901	0CK103CK51A	0.01UF 1608 50V 10% R/TP B(Y5
		C903	0CK103CK51A	0.01UF 1608 50V 10% R/TP B(Y5
		C904	0CK103CK51A	0.01UF 1608 50V 10% R/TP B(Y5
		C905	0CK103CK51A	0.01UF 1608 50V 10% R/TP B(Y5
		C906	0CK103CK51A	0.01UF 1608 50V 10% R/TP B(Y5
		C911	0CK104CK56A	0.1UF 1608 50V 10% R/TP X7R
		C912	0CK104CK56A	0.1UF 1608 50V 10% R/TP X7R
		C913	0CK104CK56A	0.1UF 1608 50V 10% R/TP X7R
		C914	0CK104CK56A	0.1UF 1608 50V 10% R/TP X7R
		C915	0CK104CK56A	0.1UF 1608 50V 10% R/TP X7R
		C916	0CK104CK56A	0.1UF 1608 50V 10% R/TP X7R
		C918	0CK104CK56A	0.1UF 1608 50V 10% R/TP X7R
		C919	0CK104CK56A	0.1UF 1608 50V 10% R/TP X7R
		C921	0CK104CK56A	0.1UF 1608 50V 10% R/TP X7R
		C922	0CK104CK56A	0.1UF 1608 50V 10% R/TP X7R
		C961	0CK104CK56A	0.1UF 1608 50V 10% R/TP X7R
		C121	0CC100CK41A	10PF 1608 50V 5% R/TP NP0
		C122	0CC100CK41A	10PF 1608 50V 5% R/TP NP0
		C43	0CC102CK41A	1000PF 1608 50V 5% R/TP NP0
		C47	0CC220CK41A	22PF 1608 50V 5% R/TP NP0
		C48	0CC220CK41A	22PF 1608 50V 5% R/TP NP0
		C53	0CC102CK41A	1000PF 1608 50V 5% R/TP NP0
		C56	0CC221CK41A	220PF 1608 50V 5% R/TP NP0

DATE: 2004. 06.16.				
*S	*AL	LOC. NO.	PART NO.	DESCRIPTION / SPECIFICATION
		C57	0CC221CK41A	220PF 1608 50V 5% R/TP NP0
		C58	0CC221CK41A	220PF 1608 50V 5% R/TP NP0
		C74	0CC102CK41A	1000PF 1608 50V 5% R/TP NP0
		C83	0CC102CK41A	1000PF 1608 50V 5% R/TP NP0
		C85	0CC102CK41A	1000PF 1608 50V 5% R/TP NP0
		C86	0CC102CK41A	1000PF 1608 50V 5% R/TP NP0
		C88	0CC390CK41A	39PF 1608 50V 5% R/TP NP0
		C889	0CC331CK41A	330PF 1608 50V 5% R/TP NP0
		C89	0CC390CK41A	39PF 1608 50V 5% R/TP NP0
		C890	0CC331CK41A	330PF 1608 50V 5% R/TP NP0
		C891	0CC331CK41A	330PF 1608 50V 5% R/TP NP0
		C1	0CE107WF6DC	100UF MVK 16V 20% R/TP(SMD) S
		C1106	0CE477BD618	470UF KME TYPE 10V 20% FL TP
		C108	0CE476VH6DC	47UF MV 25V 20% R/TP(SMD) SMD
		C1102	0CE107WF6DC	100UF MVK 16V 20% R/TP(SMD) S
		C1103	0CE107WF6DC	100UF MVK 16V 20% R/TP(SMD) S
		C1105	0CH8476F691	47UF 16V 20% 105STD (CYL) R/T
		C1109	0CE107WF6DC	100UF MVK 16V 20% R/TP(SMD) S
		C111	0CE475WJ6DC	4.7UF MVK 35V 20% R/TP(SMD) S
		C1118	0CE107WF6DC	100UF MVK 16V 20% R/TP(SMD) S
		C112	0CE475WJ6DC	4.7UF MVK 35V 20% R/TP(SMD) S
		C1124	0CE107WF6DC	100UF MVK 16V 20% R/TP(SMD) S
		C1130	0CE107WF6DC	100UF MVK 16V 20% R/TP(SMD) S
		C1132	0CE107WF6DC	100UF MVK 16V 20% R/TP(SMD) S
		C1134	0CE227WF6DC	220UF MVK 16V 20% R/TP(SMD) S
		C1135	0CE107WF6DC	100UF MVK 16V 20% R/TP(SMD) S
		C1137	0CE107WF6DC	100UF MVK 16V 20% R/TP(SMD) S
		C1149	0CE107WF6DC	100UF MVK 16V 20% R/TP(SMD) S
		C119	0CH8106F691	10UF 16V 20% 105STD (CYL) R/T
		C120	0CH8106F691	10UF 16V 20% 105STD (CYL) R/T
		C17	0CE475WJ6DC	4.7UF MVK 35V 20% R/TP(SMD) S
		C5	0CE475WJ6DC	4.7UF MVK 35V 20% R/TP(SMD) S
		C55	0CE475VK6DC	4.7UF MV 50V 20% R/TP(SMD) SM
		C60	0CE475VK6DC	4.7UF MV 50V 20% R/TP(SMD) SM
		C852	0CH8476F691	47UF 16V 20% 105STD (CYL) R/T
		C856	0CH8476F691	47UF 16V 20% 105STD (CYL) R/T
		C859	0CH8476F691	47UF 16V 20% 105STD (CYL) R/T
		C87	0CE107WF6DC	100UF MVK 16V 20% R/TP(SMD) S
		C876	0CH8106F691	10UF 16V 20% 105STD (CYL) R/T
<b>DIODEs</b>				
		D100	ODRFC00288A	SS14 FAIR CHILD R/TP SMA 20-1
		D101	ODRFC00288A	SS14 FAIR CHILD R/TP SMA 20-1
		D1150	ODRGS00199A	UF4001 GENERAL SEMICONDUCTOR
		D102	ODS181009AA	KDS181 TP KEC SOT-23 80V 30
		D103	ODS181009AA	KDS181 TP KEC SOT-23 80V 30
		D107	ODS226009AA	KDS226 TP KEC SOT-23 80V 300
		ZD104	0DZ620009HB	UDZ S 6.2B TP ROHM SOD323 200
		ZD105	0DZ620009HB	UDZ S 6.2B TP ROHM SOD323 200
		ZD207	0DZ510009EE	UDZ S 5.1B TP ROHM-K SOD323 2
		ZD208	0DZ510009EE	UDZ S 5.1B TP ROHM-K SOD323 2
		ZD209	0DZ510009EE	UDZ S 5.1B TP ROHM-K SOD323 2
		ZD211	0DZ510009EE	UDZ S 5.1B TP ROHM-K SOD323 2
		ZD200	0DZ510009EE	UDZ S 5.1B TP ROHM-K SOD323 2
		ZD201	0DZ510009EE	UDZ S 5.1B TP ROHM-K SOD323 2
		ZD202	0DZ510009EE	UDZ S 5.1B TP ROHM-K SOD323 2
		ZD203	0DZ510009EE	UDZ S 5.1B TP ROHM-K SOD323 2
		ZD204	0DZ510009EE	UDZ S 5.1B TP ROHM-K SOD323 2
		ZD205	0DZ510009EE	UDZ S 5.1B TP ROHM-K SOD323 2
		ZD206	0DZ510009EE	UDZ S 5.1B TP ROHM-K SOD323 2
		D1151	0DZ330009DF	MTZJ33B TP ROHM-K DO34 0.5W 3

DATE: 2004. 06.16.				
*S	*AL	LOC. NO.	PART NO.	DESCRIPTION / SPECIFICATION
<b>IC</b>				
		IC905	0IZZTSA003A	ML-041B VGA PAL ATMEL 32P PLC- <b>CMO</b>
		IC905	0IZZTSA005A	ML-041B VGA PAL ATMEL 32P PLC- <b>AUO</b>
		IC3	0IKE702700D	"KIA7027AF 3, SOT-89 TP RESET"
		IC200	0IMMRSG036A	"M24C02-WMN6T SGS-THOMSON 8P,S"
		IC4	0IMCRAL006A	AT24C16AN-10SI-2.7 ATMEL 8P S
		IC903	0IMCRAL006A	AT24C16AN-10SI-2.7 ATMEL 8P S
		IC100	0IMCRMZ002A	MP7720 MONOLITHIC POWER SYSTE
		IC101	0IMCRMZ002A	MP7720 MONOLITHIC POWER SYSTE
		IC202	0IMO140662A	"MC14066BDR2 14P,SOIC TP BILAT"
		IC1	0IPRPMN003C	VCT49XYF C7(NTSC+PAL) MICRONA
		IC901	0IPRPGN015A	"GM2221 GENESIS 208P,QFP TRAY"
		IC1101	0IPMGFA061A	"FAN1587AD33X FAIRCHILD 3P,DPA"
		IC1103	0IPMGSG018D	"LD1086DT18TR SGS-THOMSON 3P,D"
		IC1108	0IMCRKE010A	KIA7812AF KEC 2P DPACK R/TP 1
		IC1111	0IMCRFA015A	KA7805R FAIRCHILD 2P D-PAK R/
		IC1105	0IPMGFA061A	"FAN1587AD33X FAIRCHILD 3P,DPA"
		IC1106	0IPMGSG018D	"LD1086DT18TR SGS-THOMSON 3P,D"
		IC1114	0IPMGFA061A	"FAN1587AD33X FAIRCHILD 3P,DPA"
		IC1115	0IPMGFA061A	"FAN1587AD33X FAIRCHILD 3P,DPA"
		IC1110	0ISS780800J	"KA78M08R 3P,D-PAK TP VOL. REG"
		IC1113	0ISS780800J	"KA78M08R 3P,D-PAK TP VOL. REG"
<b>COIL &amp; CORE &amp; INDUCTOR</b>				
		L104	6140TBZ045A	"38.5UH(DIP), 6A, P7.5, DR8.3X"
		L105	6140TBZ045A	"38.5UH(DIP), 6A, P7.5, DR8.3X"
		L1150	150-985B	DR8*11 2.4MH 0.16MM 270.5T
		L1100	6210TCE001G	HH-1M3216-501 CERATEC 3216MM
		L1101	6210TCE001G	HH-1M3216-501 CERATEC 3216MM
		L1103	6210TCE001A	HB-1S2012-080JT CERATEC 2012M
		L1104	6210TCE001A	HB-1S2012-080JT CERATEC 2012M
		L1105	6210TCE001G	HH-1M3216-501 CERATEC 3216MM
		L1106	6210TCE001G	HH-1M3216-501 CERATEC 3216MM
		L1107	6210TCE001G	HH-1M3216-501 CERATEC 3216MM
		L200	6210TCE001A	HB-1S2012-080JT CERATEC 2012M
		L201	6210TCE001A	HB-1S2012-080JT CERATEC 2012M
		L202	6210TCE001A	HB-1S2012-080JT CERATEC 2012M
		L203	6210TCE001A	HB-1S2012-080JT CERATEC 2012M
		L204	6210TCE001G	HH-1M3216-501 CERATEC 3216MM
		L853	6210TCE001G	HH-1M3216-501 CERATEC 3216MM
		L900	6210TCE001G	HH-1M3216-501 CERATEC 3216MM
		L901	6210TCE001G	HH-1M3216-501 CERATEC 3216MM
		L902	6210TCE001G	HH-1M3216-501 CERATEC 3216MM
		L903	6210TCE001G	HH-1M3216-501 CERATEC 3216MM
		L1102	6210TCE001G	HH-1M3216-501 CERATEC 3216MM
		L205	6210TCE001A	HB-1S2012-080JT CERATEC 2012M
		L800	6210TCE001G	HH-1M3216-501 CERATEC 3216MM
		L906	6210TCE001G	HH-1M3216-501 CERATEC 3216MM
		L907	6210TCE001G	HH-1M3216-501 CERATEC 3216MM
		L10	0LC1032101A	10UH 10% 3216 R/TC FI-C3216-1
		L1001	0LC1020101A	1UH 10% 2012 R/TC FI-B2012-10
		L1002	0LC1032101A	10UH 10% 3216 R/TC FI-C3216-1
		L15	0LC1032101A	10UH 10% 3216 R/TC FI-C3216-1
		L2	0LC1032101A	10UH 10% 3216 R/TC FI-C3216-1
		L8	0LC1032101A	10UH 10% 3216 R/TC FI-C3216-1
		L888	0LC0233002A	3.3UH CERATECH R/TP
		L889	0LC0233002A	3.3UH CERATECH R/TP
		L890	0LC0233002A	3.3UH CERATECH R/TP

DATE: 2004. 06.16.				
*S	*AL	LOC. NO.	PART NO.	DESCRIPTION / SPECIFICATION
<b>FET &amp; TRANSISTOR</b>				
		IC1107	0TF492509AA	SI4925DY TP TEMIC 30V 6.1A S
		Q1150	0TR322809AB	KTC3228-Y(KTC2383) TP KEC TO9
		Q1	0TR387500AA	CHIP 2SC3875S(ALY) BK KEC --
		Q603	0TR387500AA	CHIP 2SC3875S(ALY) BK KEC --
		Q100	0TR387500AA	CHIP 2SC3875S(ALY) BK KEC --
		Q1000	0TR388109AA	KTC3881 CHIP TP KEC --
		Q101	0TR150400BA	CHIP 2SA1504S(ASY) BK KEC --
		Q1100	0TR387500AA	CHIP 2SC3875S(ALY) BK KEC --
		Q1151	0TR387500AA	CHIP 2SC3875S(ALY) BK KEC --
		Q12	0TR150400BA	CHIP 2SA1504S(ASY) BK KEC --
		Q13	0TR150400BA	CHIP 2SA1504S(ASY) BK KEC --
		Q14	0TR150400BA	CHIP 2SA1504S(ASY) BK KEC --
		Q15	0TR387500AA	CHIP 2SC3875S(ALY) BK KEC --
		Q2	0TR387500AA	CHIP 2SC3875S(ALY) BK KEC --
		Q3	0TR150400BA	CHIP 2SA1504S(ASY) BK KEC --
		IC902	0TFV180005A	VISHAY SI4963DY R/TP SO-8 -20
		IC1104	0TFV180005A	VISHAY SI4963DY R/TP SO-8 -20
<b>RESISTORS</b>				
		R1004	0RH3000D622	300 1/10W 5 D.R/TP
		R1010	0RH7501D622	7.5K 1/10W 5 D.R/TP
		R1012	0RH7502D622	75K 1/10W 5 D.R/TP
		R106	0RH1500D622	150 1/10W 5 D.R/TP
		R107	0RH1003D622	100K 1/10W 5 D.R/TP
		R1151	0RH4700D622	470 1/10W 5 D.R/TP
		R1153	0RH1000D622	100 1/10W 5 D.R/TP
		R126	0RH4701D622	4.7K 1/10W 5 D.R/TP
		R132	0RH1003D622	100K 1/10W 5 D.R/TP
		R133	0RH1003D622	100K 1/10W 5 D.R/TP
		R134	0RH1003D622	100K 1/10W 5 D.R/TP
		R135	0RH1003D622	100K 1/10W 5 D.R/TP
		R14	0RH4701D622	4.7K 1/10W 5 D.R/TP
		R140	0RH0392D622	39 1/10W 5 D.R/TP
		R141	0RH0392D622	39 1/10W 5 D.R/TP
		R142	0RH0392D622	39 1/10W 5 D.R/TP
		R143	0RH0392D622	39 1/10W 5 D.R/TP
		R144	0RH0392D622	39 1/10W 5 D.R/TP
		R145	0RH0392D622	39 1/10W 5 D.R/TP
		R146	0RH0392D622	39 1/10W 5 D.R/TP
		R147	0RH0392D622	39 1/10W 5 D.R/TP
		R201	0RH4701D622	4.7K 1/10W 5 D.R/TP
		R204	0RH4701D622	4.7K 1/10W 5 D.R/TP
		R211	0RH0752D622	75 1/10W 5 D.R/TP
		R212	0RH0752D622	75 1/10W 5 D.R/TP
		R213	0RH0752D622	75 1/10W 5 D.R/TP
		R214	0RH4703D622	470K 1/10W 5 D.R/TP
		R217	0RH4703D622	470K 1/10W 5 D.R/TP
		R57	0RH1000D622	100 1/10W 5 D.R/TP
		R59	0RH1201D622	1.2K 1/10W 5 D.R/TP
		R6	0RH4702D622	47K 1/10W 5 D.R/TP
		R818	0RH8200D622	820 1/10W 5 D.R/TP
		R9	0RH4701D622	4.7K 1/10W 5 D.R/TP
		R908	0RH0822D622	82 1/10W 5 D.R/TP
		R910	0RH0822D622	82 1/10W 5 D.R/TP
		R915	0RH3600D622	CHIP 360-J 1/10 W
		R934	0RH1000D622	100 1/10W 5 D.R/TP
		R989	0RH8200D622	820 1/10W 5 D.R/TP
		R999	0RH1000D622	100 1/10W 5 D.R/TP
		R136	0RH8202D622	82K 1/10W 5 D.R/TP
		R137	0RH8202D622	82K 1/10W 5 D.R/TP

DATE: 2004. 06. 16.				
*S	*AL	LOC. NO.	PART NO.	DESCRIPTION / SPECIFICATION
		C931	0RH000D622	0 OHM 1 / 10 W 2012 5.00% D
		C932	0RH000D622	0 OHM 1 / 10 W 2012 5.00% D
		C933	0RH000D622	0 OHM 1 / 10 W 2012 5.00% D
		L905	0RH0222D622	22 OHM 1 / 10 W 2012 5.00% D
		R1002	0RH1501D622	1.5K OHM 1 / 10 W 2012 5.00%
		R1011	0RH000D622	0 OHM 1 / 10 W 2012 5.00% D
		R1106	0RH1002D622	10K OHM 1 / 10 W 2012 5.00% D
		R1152	0RH1001D622	1K OHM 1 / 10 W 2012 5.00% D
		R12	0RH1001D622	1K OHM 1 / 10 W 2012 5.00% D
		R128	0RH1002D622	10K OHM 1 / 10 W 2012 5.00% D
		R129	0RH1002D622	10K OHM 1 / 10 W 2012 5.00% D
		R13	0RH1001D622	1K OHM 1 / 10 W 2012 5.00% D
		R202	0RH0222D622	22 OHM 1 / 10 W 2012 5.00% D
		R208	0RH0222D622	22 OHM 1 / 10 W 2012 5.00% D
		R209	0RH0222D622	22 OHM 1 / 10 W 2012 5.00% D
		R210	0RH0222D622	22 OHM 1 / 10 W 2012 5.00% D
		R36	0RH000D622	0 OHM 1 / 10 W 2012 5.00% D
		R37	0RH0222D622	22 OHM 1 / 10 W 2012 5.00% D
		R7	0RH000D622	0 OHM 1 / 10 W 2012 5.00% D
		R817	0RH000D622	0 OHM 1 / 10 W 2012 5.00% D
		R822	0RH1002D622	10K OHM 1 / 10 W 2012 5.00% D
		R834	0RH000D622	0 OHM 1 / 10 W 2012 5.00% D
		R836	0RH000D622	0 OHM 1 / 10 W 2012 5.00% D
		R837	0RH000D622	0 OHM 1 / 10 W 2012 5.00% D
		R961	0RH000D622	0 OHM 1 / 10 W 2012 5.00% D
		R964	0RH1002D622	10K OHM 1 / 10 W 2012 5.00% D
		R1	0RJ1002D677	10K OHM 1/10 W 5% 1608 R/TP
		R10	0RJ3301D677	3.3K OHM 1/10 W 5% 1608 R/TP
		R1001	0RJ0562D677	56 OHM 1/10 W 5% 1608 R/TP
		R1003	0RJ8200D677	820 OHM 1/10 W 5% 1608 R/TP
		R1005	0RJ0682D677	68 OHM 1/10 W 5% 1608 R/TP
		R1014	0RJ1000D677	100 OHM 1/10 W 5% 1608 R/TP
		R11	0RJ3301D677	3.3K OHM 1/10 W 5% 1608 R/TP
		R1105	0RJ1001D677	1K OHM 1/10 W 5% 1608 R/TP
		R1107	0RJ4701D677	4.7K OHM 1/10 W 5% 1608 R/TP
		R1149	0RH1002D622	10K OHM 1 / 10 W 2012 5.00% D
		R1150	0RJ0102D677	10 OHM 1/10 W 5% 1608 R/TP
		R124	0RJ1500D677	150 OHM 1/10 W 5% 1608 R/TP
		R125	0RJ4701D677	4.7K OHM 1/10 W 5% 1608 R/TP
		R127	0RJ2701D677	2.7K OHM 1/10 W 5% 1608 R/TP
		R130	0RJ1202D677	12K OHM 1/10 W 5% 1608 R/TP
		R131	0RJ1202D677	12K OHM 1/10 W 5% 1608 R/TP
		R138	0RJ1002D677	10K OHM 1/10 W 5% 1608 R/TP
		R139	0RJ1002D677	10K OHM 1/10 W 5% 1608 R/TP
		R15	0RJ0822D677	82 OHM 1/10 W 5% 1608 R/TP
		R16	0RJ2200D677	220 OHM 1/10 W 5% 1608 R/TP
		R17	0RJ0822D677	82 OHM 1/10 W 5% 1608 R/TP
		R18	0RJ2200D677	220 OHM 1/10 W 5% 1608 R/TP
		R19	0RJ0822D677	82 OHM 1/10 W 5% 1608 R/TP
		R2	0RJ1002D677	10K OHM 1/10 W 5% 1608 R/TP
		R20	0RJ2200D677	220 OHM 1/10 W 5% 1608 R/TP
		R203	0RJ1000D677	100 OHM 1/10 W 5% 1608 R/TP
		R205	0RJ0222D677	22 OHM 1/10 W 5% 1608 R/TP
		R206	0RJ1001D677	1K OHM 1/10 W 5% 1608 R/TP
		R207	0RJ1001D677	1K OHM 1/10 W 5% 1608 R/TP
		R21	0RJ0222D677	22 OHM 1/10 W 5% 1608 R/TP
		R22	0RJ1500D677	150 OHM 1/10 W 5% 1608 R/TP
		R221	0RJ1000D677	100 OHM 1/10 W 5% 1608 R/TP
		R224	0RJ1000D677	100 OHM 1/10 W 5% 1608 R/TP
		R225	0RJ1000D677	100 OHM 1/10 W 5% 1608 R/TP
		R226	0RJ1000D677	100 OHM 1/10 W 5% 1608 R/TP
		R23	0RJ2701D677	2.7K OHM 1/10 W 5% 1608 R/TP

DATE: 2004. 06. 16.				
*S	*AL	LOC. NO.	PART NO.	DESCRIPTION / SPECIFICATION
		R24	0RJ1000D677	100 OHM 1/10 W 5% 1608 R/TP
		R240	0RJ1000D677	100 OHM 1/10 W 5% 1608 R/TP
		R25	0RJ1000D677	100 OHM 1/10 W 5% 1608 R/TP
		R28	0RJ0000D677	0 OHM 1/10 W 5% 1608 R/TP
		R29	0RJ0000D677	0 OHM 1/10 W 5% 1608 R/TP
		R3	0RJ4700D677	470 OHM 1/10 W 5% 1608 R/TP
		R34	0RJ0000D677	0 OHM 1/10 W 5% 1608 R/TP
		R4	0RJ1500D677	150 OHM 1/10 W 5% 1608 R/TP
		R41	0RJ1000D677	100 OHM 1/10 W 5% 1608 R/TP
		R45	0RJ1000D677	100 OHM 1/10 W 5% 1608 R/TP
		R46	0RJ1001D677	1K OHM 1/10 W 5% 1608 R/TP
		R49	0RJ1000D677	100 OHM 1/10 W 5% 1608 R/TP
		R5	0RJ1500D677	150 OHM 1/10 W 5% 1608 R/TP
		R50	0RJ1000D677	100 OHM 1/10 W 5% 1608 R/TP
		R51	0RJ1000D677	100 OHM 1/10 W 5% 1608 R/TP
		R52	0RJ1000D677	100 OHM 1/10 W 5% 1608 R/TP
		R53	0RJ1500D677	150 OHM 1/10 W 5% 1608 R/TP
		R54	0RJ1000D677	100 OHM 1/10 W 5% 1608 R/TP
		R55	0RJ1500D677	150 OHM 1/10 W 5% 1608 R/TP
		R56	0RJ1000D677	100 OHM 1/10 W 5% 1608 R/TP
		R58	0RJ1000D677	100 OHM 1/10 W 5% 1608 R/TP
		R60	0RJ1000D677	100 OHM 1/10 W 5% 1608 R/TP
		R62	0RJ1000D677	100 OHM 1/10 W 5% 1608 R/TP
		R64	0RJ1000D677	100 OHM 1/10 W 5% 1608 R/TP
		R66	0RJ1000D677	100 OHM 1/10 W 5% 1608 R/TP
		R68	0RJ1000D677	100 OHM 1/10 W 5% 1608 R/TP
		R69	0RJ1000D677	100 OHM 1/10 W 5% 1608 R/TP
		R70	0RJ1000D677	100 OHM 1/10 W 5% 1608 R/TP
		R72	0RJ1000D677	100 OHM 1/10 W 5% 1608 R/TP
		R73	0RJ1000D677	100 OHM 1/10 W 5% 1608 R/TP
		R74	0RJ1000D677	100 OHM 1/10 W 5% 1608 R/TP
		R75	0RJ1000D677	100 OHM 1/10 W 5% 1608 R/TP
		R76	0RJ1000D677	100 OHM 1/10 W 5% 1608 R/TP
		R77	0RJ1000D677	100 OHM 1/10 W 5% 1608 R/TP
		R78	0RJ1000D677	100 OHM 1/10 W 5% 1608 R/TP
		R8	0RJ0000D677	0 OHM 1/10 W 5% 1608 R/TP
		R80	0RJ2202D677	22K OHM 1/10 W 5% 1608 R/TP
		R888	0RJ0752D677	75 OHM 1/10 W 5% 1608 R/TP
		R889	0RJ0752D677	75 OHM 1/10 W 5% 1608 R/TP
		R890	0RJ0752D677	75 OHM 1/10 W 5% 1608 R/TP
		R901	0RJ0472D677	47 OHM 1/10 W 5% 1608 R/TP
		R902	0RJ0472D677	47 OHM 1/10 W 5% 1608 R/TP
		R904	0RJ0472D677	47 OHM 1/10 W 5% 1608 R/TP
		R907	0RJ3301D677	3.3K OHM 1/10 W 5% 1608 R/TP
		R909	0RJ0822D677	82 OHM 1/10 W 5% 1608 R/TP
		R911	0RJ4701D677	4.7K OHM 1/10 W 5% 1608 R/TP
		R912	0RJ1000D677	100 OHM 1/10 W 5% 1608 R/TP
		R913	0RJ0000D677	0 OHM 1/10 W 5% 1608 R/TP
		R914	0RJ0000D677	0 OHM 1/10 W 5% 1608 R/TP
		R917	0RJ0000D677	0 OHM 1/10 W 5% 1608 R/TP
		R928	0RJ1000D677	100 OHM 1/10 W 5% 1608 R/TP
		R929	0RJ1000D677	100 OHM 1/10 W 5% 1608 R/TP
		R930	0RJ1000D677	100 OHM 1/10 W 5% 1608 R/TP
		R931	0RJ1000D677	100 OHM 1/10 W 5% 1608 R/TP
		R932	0RJ1000D677	100 OHM 1/10 W 5% 1608 R/TP
		R935	0RJ1000D677	100 OHM 1/10 W 5% 1608 R/TP
		R936	0RJ1000D677	100 OHM 1/10 W 5% 1608 R/TP
		R938	0RJ1002D677	10K OHM 1/10 W 5% 1608 R/TP
		R939	0RJ1000D677	100 OHM 1/10 W 5% 1608 R/TP
		R940	0RJ0000D677	0 OHM 1/10 W 5% 1608 R/TP
		R941	0RJ1000D677	100 OHM 1/10 W 5% 1608 R/TP
		R942	0RJ1000D677	100 OHM 1/10 W 5% 1608 R/TP

DATE: 2004. 06. 16.				
*S	*AL	LOC. NO.	PART NO.	DESCRIPTION / SPECIFICATION
		R943	0RJ1000D677	100 OHM 1/10 W 5% 1608 R/TP
		R944	0RJ1000D677	100 OHM 1/10 W 5% 1608 R/TP
		R945	0RJ1000D677	100 OHM 1/10 W 5% 1608 R/TP
		R946	0RJ1000D677	100 OHM 1/10 W 5% 1608 R/TP
		R947	0RJ1000D677	100 OHM 1/10 W 5% 1608 R/TP
		R952	0RJ0000D677	0 OHM 1/10 W 5% 1608 R/TP
		R953	0RJ3301D677	3.3K OHM 1/10 W 5% 1608 R/TP
		R954	0RJ1002D677	10K OHM 1/10 W 5% 1608 R/TP
		R96	0RJ3301D677	3.3K OHM 1/10 W 5% 1608 R/TP
		R979	0RJ3301D677	3.3K OHM 1/10 W 5% 1608 R/TP
		R980	0RJ1000D677	100 OHM 1/10 W 5% 1608 R/TP
		R981	0RJ1000D677	100 OHM 1/10 W 5% 1608 R/TP
		R982	0RJ1000D677	100 OHM 1/10 W 5% 1608 R/TP
		R983	0RJ1000D677	100 OHM 1/10 W 5% 1608 R/TP
		R984	0RJ1000D677	100 OHM 1/10 W 5% 1608 R/TP
		R991	0RJ3301D677	3.3K OHM 1/10 W 5% 1608 R/TP
		R992	0RJ3301D677	3.3K OHM 1/10 W 5% 1608 R/TP
<b>OTHERS</b>				
		Z1000	6200QL3002F	"X6966M EPCOS ST SIP5K, 6200QL"
		X11	6202VDT002E	SX-1SMD SUNNY RADIAL 20250000
		X900	6202VDT002B	SX-1 SUNNY SC14.3MHZ +/- 30 P
		IC905	6620F00017A	CCSD-32T-SM WOYOOUNG 32P PLCC
		TU1000	6700VS0003A	TAEW-G051D LG INOTEK MULTI VS
<b>CONTROL BOARD</b>				
		R2200	0RN1101F409	1.10K 1/6W 1% TA52
		R2201	0RN8200F409	820 1/6W 1% TA52
		R2202	0RN5600F409	560 1/6W 1% TA52
		R2203	0RN4700F409	470 1/6W 1 TA52
		R2204	0RN3900F409	390 1/6W 1% TA52
		R2205	0RN3300F409	330 1/6W 1% TA52
		R2206	0RN2700F409	270 1/6W 1% TA52
		R2207	0RN3301F409	3.30K 1/6W 1% TA52
		R2208	0RN2000F409	200 1/6W 1% TA52
		SW2200	140-313A	TACT 2LEAD 100G(TA) LG C&D NO
		SW2201	140-313A	TACT 2LEAD 100G(TA) LG C&D NO
		SW2202	140-313A	TACT 2LEAD 100G(TA) LG C&D NO
		SW2203	140-313A	TACT 2LEAD 100G(TA) LG C&D NO
		SW2204	140-313A	TACT 2LEAD 100G(TA) LG C&D NO
		SW2205	140-313A	TACT 2LEAD 100G(TA) LG C&D NO
		SW2206	140-313A	TACT 2LEAD 100G(TA) LG C&D NO
		SW2207	140-313A	TACT 2LEAD 100G(TA) LG C&D NO
<b>IR BOARD</b>				
		C2101	0CH3104K566	0.1UF 50V 10% X7R 2012 R/TP
		L2101	6210TCE001A	HB-1S2012-080JT CERATEC 2012M
		LED2100	0DL200000CA	SAM5670(DL-2LRG) BK Y-GREEN -
		PA2101	6726TV0001A	TSOP4838SO1 VISHAY 38.0KHZ HO
		R2101	0RH1000D622	100 1/10W 5 D.R/TP
		R2102	0RH1000D622	100 1/10W 5 D.R/TP
		R2106	0RH1000D622	100 1/10W 5 D.R/TP
		R2111	0RH4301D622	4.3K 1/10W 5 TA
		R2103	0RH1001D622	1K OHM 1 / 10 W 2012 5.00% D
		R2104	0RH1001D622	1K OHM 1 / 10 W 2012 5.00% D
		R2105	0RH1001D622	1K OHM 1 / 10 W 2012 5.00% D
		R2113	0RH0000D622	0 OHM 1 / 10 W 2012 5.00% D
		Q2101	0TR387500AA	CHIP 2SC3875S(ALY) BK KEC - -
		Q2102	0TR387500AA	CHIP 2SC3875S(ALY) BK KEC - -

DATE: 2004. 06. 16.				
*S	*AL	LOC. NO.	PART NO.	DESCRIPTION / SPECIFICATION
		Q2103	0TR387500AA	CHIP 2SC3875S(ALY) BK KEC - -
<b>JACK BOARD</b>				
		C1217	0CH3104K946	100000PF 50V Z F 2012 R/TP
		C1201	0CH6221K416	220PF 50V J NP0 2012 R/TP
		C1202	0CH6101K416	100PF 50V J NP0 2012 R/TP
		C1207	0CH6471K416	470F 50V J NP0 2012 R/TP
		C1208	0CH6471K416	470F 50V J NP0 2012 R/TP
		C1221	0CH6331K416	330PF 50V J NP0 2012 R/TP
		C1223	0CH6471K416	470F 50V J NP0 2012 R/TP
		C1224	0CH6471K416	470F 50V J NP0 2012 R/TP
		C1210	0CH6471K416	470F 50V J NP0 2012 R/TP
		C1212	0CH6471K416	470F 50V J NP0 2012 R/TP
		C1213	0CH6101K416	100PF 50V J NP0 2012 R/TP
		C1214	0CH6101K416	100PF 50V J NP0 2012 R/TP
		C1218	0CH6331K416	330PF 50V J NP0 2012 R/TP
		C1219	0CH6331K416	330PF 50V J NP0 2012 R/TP
		C1220	0CH6331K416	330PF 50V J NP0 2012 R/TP
		C1215	0CH3103K516	10000PF 50V 10% B(Y5P) 2012 R
		C1216	0CH3103K516	10000PF 50V 10% B(Y5P) 2012 R
		C1200	0CE107WF6DC	100UF MVK 16V 20% R/TP(SMD) S
		C1209	0CH8226F691	22UF 16V 20% 105STD (CYL) R/T
		C1211	0CH8226F691	22UF 16V 20% 105STD (CYL) R/T
		L1202	6210TCE001A	HB-1S2012-080JT CERATEC 2012M
		L1203	6210TCE001A	HB-1S2012-080JT CERATEC 2012M
		L1206	6210TCE001A	HB-1S2012-080JT CERATEC 2012M
		L1207	6210TCE001A	HB-1S2012-080JT CERATEC 2012M
		L1208	6210TCE001A	HB-1S2012-080JT CERATEC 2012M
		L1211	6210TCE001A	HB-1S2012-080JT CERATEC 2012M
		L1213	6210TCE001A	HB-1S2012-080JT CERATEC 2012M
		L1214	6210TCE001A	HB-1S2012-080JT CERATEC 2012M
		L1215	6210TCE001A	HB-1S2012-080JT CERATEC 2012M
		ZD1200	0DZ620009HB	UDZ S 6.2B TP ROHM SOD323 200
		ZD1206	0DZ620009HB	UDZ S 6.2B TP ROHM SOD323 200
		ZD1207	0DZ620009HB	UDZ S 6.2B TP ROHM SOD323 200
		ZD1212	0DZ620009HB	UDZ S 6.2B TP ROHM SOD323 200
		ZD1213	0DZ620009HB	UDZ S 6.2B TP ROHM SOD323 200
		ZD1214	0DZ620009HB	UDZ S 6.2B TP ROHM SOD323 200
		ZD1210	0DZ620009HB	UDZ S 6.2B TP ROHM SOD323 200
		ZD1211	0DZ620009HB	UDZ S 6.2B TP ROHM SOD323 200
		ZD1215	0DZ620009HB	UDZ S 6.2B TP ROHM SOD323 200
		ZD1216	0DZ620009HB	UDZ S 6.2B TP ROHM SOD323 200
		ZD1217	0DZ620009HB	UDZ S 6.2B TP ROHM SOD323 200
		ZD1218	0DZ620009HB	UDZ S 6.2B TP ROHM SOD323 200
		ZD1219	0DZ620009HB	UDZ S 6.2B TP ROHM SOD323 200
		L1200	0LC1020101A	1UH 10% 2012 R/TC FI-B2012-10
		L1212	0LC0233002A	3.3UH CERATECH R/TP
		L1209	0LC0233002A	3.3UH CERATECH R/TP
		L1210	0LC0233002A	3.3UH CERATECH R/TP
		JA1201	6613V00008F	PMJ014F PARK ELEC E/P(ST)+S-V
		JA1200	381-091C	UPJ-R1-019 UGCOM 21PIN W/SHIE
		R1200	0RH0682D622	68 1/10W 5 D.R/TP
		R1202	0RH0752D622	75 1/10W 5 D.R/TP
		R1206	0RH0752D622	75 1/10W 5 D.R/TP
		R1217	0RH4703D622	470K 1/10W 5 D.R/TP
		R1218	0RH5101D622	5.1K 1/10W 5 D.R/TP
		R1219	0RH5101D622	5.1K 1/10W 5 D.R/TP
		R1220	0RH4703D622	470K 1/10W 5 D.R/TP
		R1230	0RH0752D622	75 1/10W 5 D.R/TP
		R1231	0RH0752D622	75 1/10W 5 D.R/TP
		R1232	0RH5101D622	5.1K 1/10W 5 D.R/TP



DATE: 2004. 06. 16.

*S	*AL	LOC. NO.	PART NO.	DESCRIPTION / SPECIFICATION
		R1233	0RH4703D622	470K 1/10W 5 D.R/TP
		R1234	0RH5101D622	5.1K 1/10W 5 D.R/TP
		R1235	0RH4703D622	470K 1/10W 5 D.R/TP
		R1236	0RH1802D622	18K 1/10W 5 D.R/TP
		R1237	0RH1802D622	18K 1/10W 5 D.R/TP
		L1204	0RH3001D622	3.0K 1/10W 5 D.R/TP
		L1205	0RH3001D622	3.0K 1/10W 5 D.R/TP
		R1203	0RH0752D622	75 1/10W 5 D.R/TP
		R1204	0RH0752D622	75 1/10W 5 D.R/TP
		R1207	0RH0752D622	75 1/10W 5 D.R/TP
		R1210	0RH0752D622	75 1/10W 5 D.R/TP
		R1212	0RH0752D622	75 1/10W 5 D.R/TP
		R1214	0RH0752D622	75 1/10W 5 D.R/TP
		R1216	0RH5102D622	51K 1/10W 5 D.R/TP
		R1226	0RH0472D622	47 1/10W 5 D.R/TP
		R1227	0RH0752D622	75 1/10W 5 D.R/TP
		R1228	0RH0752D622	75 1/10W 5 D.R/TP
		R1229	0RH0752D622	75 1/10W 5 D.R/TP
		R1201	0RH0222D622	22 OHM 1 / 10 W 2012 5.00% D
		R1205	0RH0222D622	22 OHM 1 / 10 W 2012 5.00% D
		R1224	0RJ1000H680	100 OHM 1/2 W 5% 5025 R/TP
		R1225	0RJ1000H680	100 OHM 1/2 W 5% 5025 R/TP
		R1215	0RH3902D622	39K OHM 1 / 10 W 2012 5.00% D
		R1221	0RH1001D622	1K OHM 1 / 10 W 2012 5.00% D
		R1222	0RH1001D622	1K OHM 1 / 10 W 2012 5.00% D
		P1205	6620K00007C	"ISHENG,7007,M.MOUSE,60MM,YH39"