

# PARTS LIST

[ RX-5022RSL ]  
[ RX-5020RBK ]

\* All printed circuit boards and its assemblies are not available as service parts.

## RX-5022RSL

Area suffix

B ----- U.K.  
E ----- Continental Europe  
EN ----- Northern Europe  
EV ----- Eastern Europe

## RX-5020RBK

Area suffix

E ----- Continental Europe

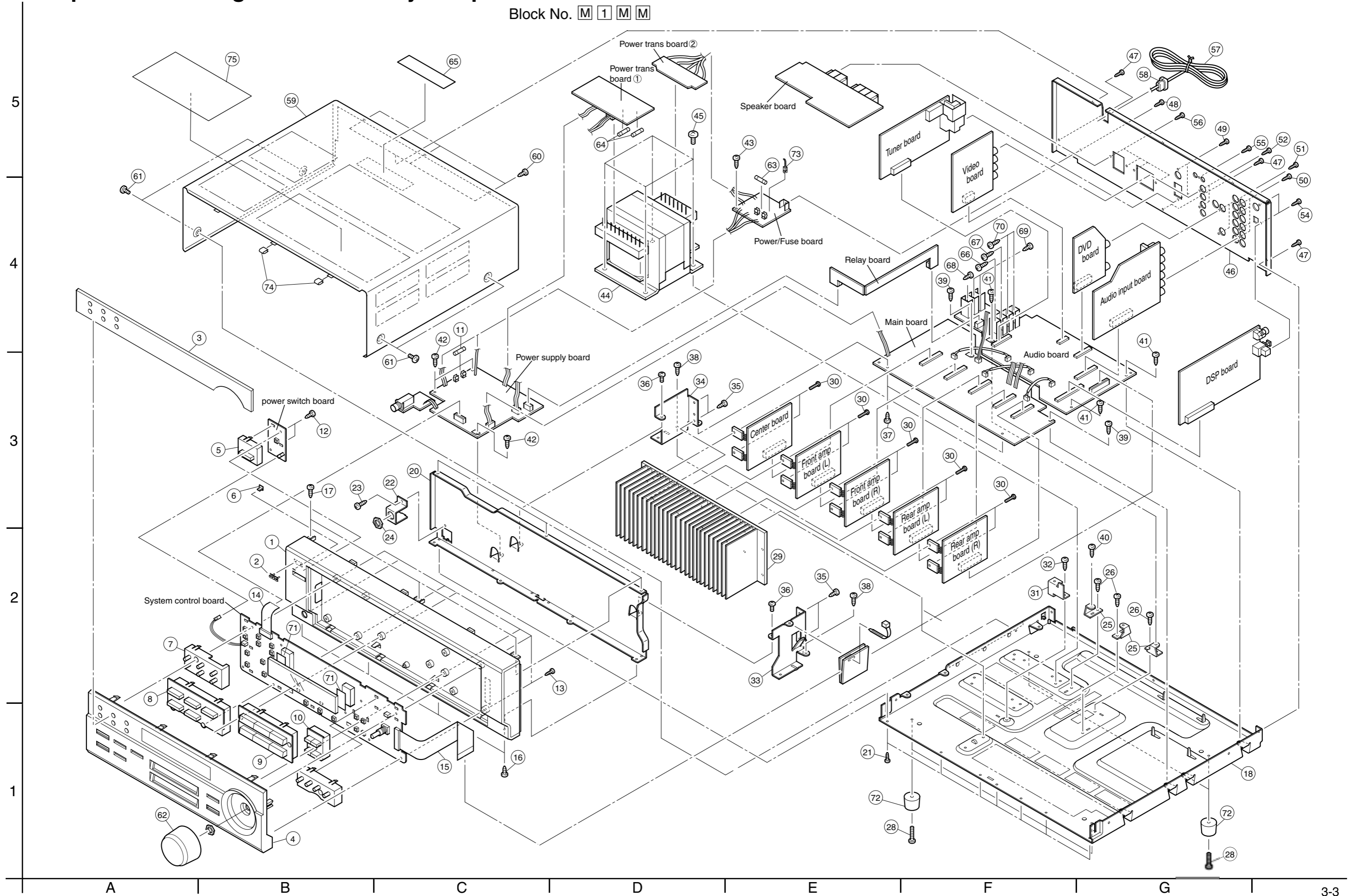
### - Contents -

Exploded view of general assembly and parts list (Block No.M1) .....	3- 3
Electrical parts list (Block No.01~05) .....	3- 5
Packing materials and accessories parts list (Block No.M3,M5) .....	3-18

< M E M O >

# Exploded view of general assembly and parts list

Block No. M 1 M M



## ■ Parts list (General assembly)

Block No. M1MM

△	Item	Parts number	Parts name	Q'ty	Description	Area
	1	LV10457-022A	FRONT PANEL	1	RX-5022RSL	
		LV10457-021A	FRONT PANEL	1	RX-5020RBK	
	2	VJD5429-001SS	JVC MARK	1	RX-5020RBK	
		VJD5429-002SS	JVC MARK	1	RX-5022RSL	
	3	LV20950-011A	LENS	1		
	4	LV10459-021A	SUB PANEL	1	RX-5020RBK	
		LV10459-022A	SUB PANEL	1	RX-5022RSL	
	5	LV32431-002A	POWER BUTTON	1	RX-5022RSL	
		LV32431-004A	POWER BUTTON	1	RX-5020RBK	
	6	LV42096-001A	INDICATOR	1	POWER	
	7	LV20951-002A	PUSH BUTTON	1	TUNER	
	8	LV20919-003A	PUSH BUTTON(C)	1	RX-5020RBK	
		LV20919-004A	PUSH BUTTON(C)	1	RX-5022RSL	
	9	LV20918-005A	PUSH BUTTON	1	RX-5022RSL	
		LV20918-004A	PUSH BUTTON(E)	1	RX-5020RBK	
	10	LV32430-004A	PUSH BUTTON(F)	1	RX-5022RSL	
		LV32430-003A	PUSH BUTTON(F)	1	RX-5020RBK	
△	11	QMF51E2-R10-J1	FUSE	1	F 205	
	12	QYSBSF2610Z	SCREW	2	FRONT C.B	
	13	QYSBSF2610Z	SCREW	6	FRONT C.B FL	
	14	QUQ412-1415CJ	FFC WIRE	1		
	15	QUQ412-2538CJ	FFC WIRE	1		
	16	QYSDSG3006Z	SCREW	4	FRONT D	
	17	QYSBSG3006Z	T.SCREW	3	FRONT U	
	18	LV10019-003A	CHASSIS BASE	1		
	19	LV20952-001A	PUSH BUTTON	1	RDS	
	20	LV10458-002A	FRONT BRACKET	1		
	21	QYSDSG3006Z	SCREW	7	C.B-F.B	
	22	LV42094-003A	H.P BKT	1		
	23	QYSBSG3006Z	T.SCREW	1	H.P BKT-F.B	
	24	VKZ4150-001	SPECIAL NUT	1	H,P	
	25	E68587-223SM	CB BKT	3		
	26	QYSBST3006Z	T.SCREW	3	C.B-BKT	
	28	QYSBST3010Z	T.SCREW	4	FOOT	
	29	LV20916-002A	HEAT SINK	1		
	30	QYSBSG3012E	SCREW	10	TR	
	31	LV42098-001A	C.B BKT	1	PRI/SEC C.B	
	32	QYSBST3006Z	T.SCREW	1	C.B BKT	
	33	LV32433-001A	H.S BRACKET(R)	1		
	34	LV32434-001A	H.S BRACKET(L)	1		
	35	QYSBSG3008Z	T.SCREW	4	H.S-BKT	
	36	QYSBST3006Z	T.SCREW	2	H.S BKT-F.BKT	
	37	QYSBSG3006Z	T.SCREW	2	H.S BKT	
	38	QYSBST3006Z	T.SCREW	2	H.S BKT-CHASSIS	
	39	QYSBSG3006Z	T.SCREW	2	M.C.B	
	40	E65923-003	TAPPING SCREW	1	M.C.B	
	41	QYSBSG3006Z	T.SCREW	3	H.S-C.B	
	42	QYSBSG3006Z	T.SCREW	3	P.C.B-CHASSIS	

## ■ Parts list (General assembly)

Block No. M1MM

△	Item	Parts number	Parts name	Q'ty	Description	Area
	43	QYSBSG3006Z	T.SCREW	1	C.B-CHASSIS	
△	44	QQT0365-001	POWER TRANSF	1		
	45	QYSDSTL4008Z	SPECIAL SCREW	4	P.TRANS	
	46	LV20915-040A	REAR PANEL	1	RX-5022RSL	EV
		LV20915-038A	REAR PANEL	1	RX-5020RBK	
		LV20915-039A	REAR PANEL	1	RX-5022RSL	B,E,EN
	47	QYSBSGY3008M	SPECIAL SCREW	3	R.P-C.BASE	
	48	QYSBSGY3008M	SPECIAL SCREW	1	R.P	
	49	QYSBSGY3008M	SPECIAL SCREW	2	TUNER	
	50	QYSBSGY3008M	SPECIAL SCREW	4	INPUT	
	51	QYSBSGY3008M	SPECIAL SCREW	2	V AUDIO	
	52	QYSBSGY3008M	SPECIAL SCREW	2	VIDEO	
	54	QYSBSGY3008M	SPECIAL SCREW	2	DIGITAL	
	55	QYSBSGY3008M	SPECIAL SCREW	1	COMP C.B	
	56	QYSBSGY3008M	SPECIAL SCREW	4	SPK C.B	
△	57	QMPN100-200-JD	POWER CORD	1	RX-5022RSL	B
△		QMPK250-205-JV	POWER CORD	1	RX-5020RBK	
△		QMPK250-205-JV	POWER CORD	1	RX-5022RSL	E,EN,EV
△	58	QZW0033-001	STRAIN RELIEF	1		
	59	LE20131-009A/S/	METAL COVER	1	RX-5022RSL	
		LE20131-008A/S/	METAL COVER	1	RX-5020RBK	
	60	QYSBSGY3008M	SPECIAL SCREW	3		
	61	E406308-003	SPECIAL SCREW	4	RX-5020RBK	
		E406308-004	SPECIAL SCREW	4	RX-5022RSL	
	62	LV32435-005A	VOLUME KNOB	1	RX-5022RSL	
		LV32435-003A	VOLUME KNOB	1	RX-5020RBK	
△	63	QMF51W2-2R5-J8	FUSE	1	F 201	
△	64	QMF51W2-2R0-J8	FUSE	2	F 202 F 203	
	65	E409396-003	CAUTION LABEL	1		
	66	QYSBSG3008E	T.SCREW	1		
	67	QYSBSG3008E	T.SCREW	1		
	68	QYSBSG3008E	T.SCREW	1		
	69	QYSBSG3008E	T.SCREW	2		
	70	QYSBSG3008E	T.SCREW	2		
	71	LV30225-097A	SPACER	2		
	72	E47227-036	FOOT	4		
	73	E307572-001	FASTENER	1		
	74	LV30225-0E5A	SPACER	2	FOR METAL COVER	
	75	LV30077-004A	PROTECT SHEET	1	RX-5020RBK	
		LV30077-006A	PROTECT SHEET	1	RX-5022RSL	

## ■ Electrical parts list (Power amp board)

Block No. 01

△	Item	Parts number	Parts name	Remarks	Area	△	Item	Parts number	Parts name	Remarks	Area
	C 201	QFLC2AJ-104Z	M CAPACITOR	.10MF 5% 100V			C 812	QCS31HJ-100Z	C CAPACITOR	10PF 5% 50V	
	C 202	QFLC2AJ-104Z	M CAPACITOR	.10MF 5% 100V			C 813	QFLC1HJ-103Z	M CAPACITOR	.010MF 5% 50V	
	C 203	QFLC2AJ-104Z	M CAPACITOR	.10MF 5% 100V			C 814	QFLC1HJ-103Z	M CAPACITOR	.010MF 5% 50V	
	C 204	QETM1VM-228	E.CAPACITOR	2200MF 20% 35V			C 815	QCS32HJ-330Z	C CAPACITOR	33PF 5% 500V	
	C 205	QETM1VM-108	E.CAPACITOR	1000MF 20% 35V			C 816	QCS32HJ-330Z	C CAPACITOR	33PF 5% 500V	
	C 206	QFLC1HJ-473Z	M CAPACITOR	.047MF 5% 50V			C 817	QEHR1HM-225Z	E CAPACITOR	2.2MF 20% 50V	
	C 207	QFLC1HJ-473Z	M CAPACITOR	.047MF 5% 50V			C 818	QEHR1HM-225Z	E CAPACITOR	2.2MF 20% 50V	
	C 208	QFLC2AJ-472Z	M CAPACITOR	4700PF 5% 100V			C 819	QEHR2AM-106Z	E CAPACITOR	10MF 20% 100V	
	C 209	QETN1EM-477Z	E CAPACITOR	470MF 20% 25V			C 820	QEHR2AM-106Z	E CAPACITOR	10MF 20% 100V	
△	C 210	QCZ9104-472	C CAPACITOR	4700PF			C 821	QCS32HJ-470Z	C CAPACITOR	47PF 5% 500V	
	C 212	QETN1CM-477Z	E CAPACITOR	470MF 20% 16V			C 822	QCS32HJ-470Z	C CAPACITOR	47PF 5% 500V	
	C 213	QETM0JM-228	E CAPACITOR	2200MF 20% 6.3V			C 823	QCS32HJ-470Z	C CAPACITOR	47PF 5% 500V	
	C 218	QETN1HM-105Z	E CAPACITOR	1.0MF 20% 50V			C 824	QCS32HJ-470Z	C CAPACITOR	47PF 5% 500V	
	C 221	QCB1HK-471Y	C CAPACITOR	B169			C 825	QFLC1HJ-473Z	M CAPACITOR	.047MF 5% 50V	
	C 301	QEHR1HM-106Z	E CAPACITOR	10MF 20% 50V			C 826	QFLC1HJ-473Z	M CAPACITOR	.047MF 5% 50V	
	C 302	QEHR1HM-106Z	E CAPACITOR	10MF 20% 50V			C 827	QFLC1HJ-473Z	M CAPACITOR	.047MF 5% 50V	
	C 303	QCS31HJ-271Z	C CAPACITOR	270PF 5% 50V			C 828	QFLC1HJ-473Z	M CAPACITOR	.047MF 5% 50V	
	C 304	QCS31HJ-271Z	C CAPACITOR	270PF 5% 50V			C 829	QETN1HM-476Z	E CAPACITOR	47MF 20% 50V	
	C 305	QCS31HJ-221Z	C CAPACITOR	220PF 5% 50V			C 830	QETN1HM-476Z	E CAPACITOR	47MF 20% 50V	
	C 306	QCS31HJ-221Z	C CAPACITOR	220PF 5% 50V			C 901	QEHR1HM-106Z	E CAPACITOR	10MF 20% 50V	
	C 307	QCB31HK-152Z	C CAPACITOR	1500PF 10% 50V			C 903	QCS31HJ-271Z	C CAPACITOR	270PF 5% 50V	
	C 308	QCB31HK-152Z	C CAPACITOR	1500PF 10% 50V			C 905	QCS31HJ-221Z	C CAPACITOR	220PF 5% 50V	
	C 309	QETN1EM-107Z	E CAPACITOR	100MF 20% 25V			C 907	QCB31HK-152Z	C CAPACITOR	1500PF 10% 50V	
	C 310	QETN1EM-107Z	E CAPACITOR	100MF 20% 25V			C 909	QETN1EM-107Z	E CAPACITOR	100MF 20% 25V	
	C 311	QCS31HJ-100Z	C CAPACITOR	10PF 5% 50V			C 911	QCS31HJ-100Z	C CAPACITOR	10PF 5% 50V	
	C 312	QCS31HJ-100Z	C CAPACITOR	10PF 5% 50V			C 913	QFLC1HJ-103Z	M CAPACITOR	.010MF 5% 50V	
	C 313	QFLC1HJ-103Z	M CAPACITOR	.010MF 5% 50V			C 915	QCS32HJ-330Z	C CAPACITOR	33PF 5% 500V	
	C 314	QFLC1HJ-103Z	M CAPACITOR	.010MF 5% 50V			C 917	QEHR1HM-225Z	E CAPACITOR	2.2MF 20% 50V	
	C 315	QCS32HJ-220Z	C CAPACITOR	22PF 5% 500V			C 919	QEHR2AM-106Z	E CAPACITOR	10MF 20% 100V	
	C 316	QCS32HJ-220Z	C CAPACITOR	22PF 5% 500V			C 921	QCS32HJ-470Z	C CAPACITOR	47PF 5% 500V	
	C 317	QEHR1VM-476Z	E CAPACITOR	47MF 20% 35V			C 923	QCS32HJ-470Z	C CAPACITOR	47PF 5% 500V	
	C 318	QEHR1VM-476Z	E CAPACITOR	47MF 20% 35V			C 925	QFLC1HJ-473Z	M CAPACITOR	.047MF 5% 50V	
	C 319	QETN1JM-107Z	E CAPACITOR	100MF 20% 63V			C 927	QFLC1HJ-473Z	M CAPACITOR	.047MF 5% 50V	
	C 320	QETN1JM-107Z	E CAPACITOR	100MF 20% 63V			C 929	QETN1HM-476Z	E CAPACITOR	47MF 20% 50V	
	C 321	QCS32HJ-470Z	C CAPACITOR	47PF 5% 500V			CN201	QGF1205C1-14	CONNECTOR		
	C 322	QCS32HJ-470Z	C CAPACITOR	47PF 5% 500V			CN203	QGD2501C1-05Z	SOCKET I.M		
	C 323	QCS32HJ-470Z	C CAPACITOR	47PF 5% 500V			CN241	QGD2501C1-05Z	SOCKET I.M		
	C 324	QCS32HJ-470Z	C CAPACITOR	47PF 5% 500V			CN251	QGA3901F2-03	CONNECTOR		
	C 325	QFLC1HJ-473Z	M CAPACITOR	.047MF 5% 50V			CN291	QGB2510J1-04	CONNECTOR		
	C 326	QFLC1HJ-473Z	M CAPACITOR	.047MF 5% 50V			CN292	QGB2510K1-04	CONNECTOR		
	C 327	QFLC1HJ-473Z	M CAPACITOR	.047MF 5% 50V			CN301	QGB2510K1-14	CONNECTOR		
	C 328	QFLC1HJ-473Z	M CAPACITOR	.047MF 5% 50V			CN302	QGB2510K1-14	CONNECTOR		
	C 501	QEKC1HM-475Z	E CAPACITOR	4.7MF 20% 50V			CN492	QGB2510K1-04	CONNECTOR		
	C 503	QETN0JM-477Z	E CAPACITOR	470MF 20% 6.3V			CN501	QGB2510K1-07	CONNECTOR		
	C 504	QCS31HJ-470Z	C CAPACITOR	47PF 5% 50V			CN801	QGB2510K1-14	CONNECTOR		
	C 505	QEKC1HM-475Z	E CAPACITOR	4.7MF 20% 50V			CN802	QGB2510K1-14	CONNECTOR		
	C 506	QETN0JM-477Z	E CAPACITOR	470MF 20% 6.3V			CN901	QGB2510K1-14	CONNECTOR		
	C 507	QCS31HJ-470Z	C CAPACITOR	47PF 5% 50V			C1331	QDGB1HK-102Y	C CAPACITOR		
	C 511	QETN1CM-108Z	E CAPACITOR	1000MF 20% 16V			C1332	QDGB1HK-102Y	C CAPACITOR		
	C 512	QCB1HK-223Y	C CAPACITOR	.022MF 10% 50V			△	D 201	10E2-FD	DIODE	
	C 521	QCB1HK-221Y	C CAPACITOR	220PF 10% 50V			△	D 202	11ES2-T4	DIODE I.M	
	C 522	QCZ0202-155Z	ML C CAPA I/M	1.5MF			△	D 203	10E2-FD	DIODE	
	C 801	QEHR1HM-106Z	E CAPACITOR	10MF 20% 50V			△	D 204	11ES2-T4	DIODE I.M	
	C 802	QEHR1HM-106Z	E CAPACITOR	10MF 20% 50V			△	D 206	11ES2-T4	DIODE I.M	
	C 803	QCS31HJ-271Z	C CAPACITOR	270PF 5% 50V			△	D 207	11ES2-T4	DIODE I.M	
	C 804	QCS31HJ-271Z	C CAPACITOR	270PF 5% 50V			△	D 208	11ES2-T4	DIODE I.M	
	C 805	QCS31HJ-221Z	C CAPACITOR	220PF 5% 50V			△	D 209	11ES2-T4	DIODE I.M	
	C 806	QCS31HJ-221Z	C CAPACITOR	220PF 5% 50V				D 210	1SS133-T2	SI DIODE IM	
	C 807	QCB31HK-152Z	C CAPACITOR	1500PF 10% 50V				D 211	MTZJ6.8C-T2	Z DIODE I/M	
	C 808	QCB31HK-152Z	C CAPACITOR	1500PF 10% 50V				D 212	11ES2-T4	DIODE I.M	
	C 809	QETN1EM-107Z	E CAPACITOR	100MF 20% 25V				D 217	MTZJ6.2C-T2	Z DIODE I/M	
	C 810	QETN1EM-107Z	E CAPACITOR	100MF 20% 25V				D 218	1SS133-T2	SI DIODE IM	
	C 811	QCS31HJ-100Z	C CAPACITOR	10PF 5% 50V				D 219	11ES2-T4	DIODE I.M	

## ■ Electrical parts list (Power amp board)

Block No. 01

△	Item	Parts number	Parts name	Remarks	Area	△	Item	Parts number	Parts name	Remarks	Area
	D 220	11ES2-T4	DIODE I.M				Q 310	2SD637/QR/	TRANSISTOR		
	D 221	1SS133-T2	SI DIODE IM				Q 311	KTC3200/GL/-T	TRANSISTOR		
	D 301	1SS133-T2	SI DIODE IM				Q 312	KTC3200/GL/-T	TRANSISTOR		
	D 302	1SS133-T2	SI DIODE IM				Q 313	KTA1268/GL/-T	TRANSISTOR		
	D 303	SLR-342MC-T	LED				Q 314	KTA1268/GL/-T	TRANSISTOR		
	D 304	SLR-342MC-T	LED			△	Q 315	2SD2390/OPY/-F6	TRANSISTOR		
	D 305	1SS133-T2	SI DIODE IM			△	Q 316	2SD2390/OPY/-F6	TRANSISTOR		
	D 306	1SS133-T2	SI DIODE IM			△	Q 317	2SB1560/OPY/-F6	TRANSISTOR		
	D 307	1SS133-T2	SI DIODE IM			△	Q 318	2SB1560/OPY/-F6	TRANSISTOR		
	D 308	1SS133-T2	SI DIODE IM				Q 319	KTA1268/GL/-T	TRANSISTOR		
	D 309	1SS133-T2	SI DIODE IM				Q 320	KTA1268/GL/-T	TRANSISTOR		
	D 310	1SS133-T2	SI DIODE IM				Q 501	KTA1267/YG/-T	TRANSISTOR		
	D 801	1SS133-T2	SI DIODE IM				Q 502	KTC3199/GL/-T	TRANSISTOR		
	D 802	1SS133-T2	SI DIODE IM				Q 503	KRC101M-T	TR I/M		
	D 805	1SS133-T2	SI DIODE IM				Q 504	KTA1267/YG/-T	TRANSISTOR		
	D 806	1SS133-T2	SI DIODE IM				Q 505	KTC3199/GL/-T	TRANSISTOR		
	D 807	1SS133-T2	SI DIODE IM				Q 801	2SC2240/L/-T	TR.I/M		
	D 808	1SS133-T2	SI DIODE IM				Q 802	2SC2240/L/-T	TR.I/M		
	D 809	1SS133-T2	SI DIODE IM				Q 803	2SC2240/L/-T	TR.I/M		
	D 810	1SS133-T2	SI DIODE IM				Q 804	2SC2240/L/-T	TR.I/M		
	D 901	1SS133-T2	SI DIODE IM				Q 805	KTA1268/GL/-T	TRANSISTOR		
	D 905	1SS133-T2	SI DIODE IM				Q 806	KTA1268/GL/-T	TRANSISTOR		
	D 907	1SS133-T2	SI DIODE IM				Q 809	2SD637/QR/	TRANSISTOR		
	D 909	1SS133-T2	SI DIODE IM				Q 810	2SD637/QR/	TRANSISTOR		
	EP 1	E409182-001SM	GRAND TERMINAL				Q 811	KTC3200/GL/-T	TRANSISTOR		
	EP201	QNZ0136-001Z	EARTH PLATE				Q 812	KTC3200/GL/-T	TRANSISTOR		
	FC211	QNG0020-001Z	FUSE CLIP	F201			Q 813	KTA1268/GL/-T	TRANSISTOR		
	FC212	QNG0020-001Z	FUSE CLIP	F201			Q 814	KTA1268/GL/-T	TRANSISTOR		
	FC221	QNG0020-001Z	FUSE CLIP	F202		△	Q 815	2SD2390/OPY/-F6	TRANSISTOR		
	FC222	QNG0020-001Z	FUSE CLIP	F202			Q 816	2SD2390/OPY/-F6	TRANSISTOR		
	FC231	QNG0020-001Z	FUSE CLIP	F203			Q 817	2SB1560/OPY/-F6	TRANSISTOR		
	FC232	QNG0020-001Z	FUSE CLIP	F203			Q 818	2SB1560/OPY/-F6	TRANSISTOR		
	FC251	QNG0020-001Z	FUSE CLIP	F205			Q 819	KTA1268/GL/-T	TRANSISTOR		
	FC252	QNG0020-001Z	FUSE CLIP	F205			Q 820	KTA1268/GL/-T	TRANSISTOR		
	FW201	QUM137-14Z4Z4	PARA RIBON WIRE				Q 901	2SC2240/L/-T	TR.I/M		
	FW251	QUM133-08Z4Z4	PARA RIBON WIRE				Q 903	2SC2240/L/-T	TR.I/M		
	IC501	NJM2246D	IC				Q 905	KTA1268/GL/-T	TRANSISTOR		
	J 501	QNN0063-001	PIN JACK				Q 909	2SD637/QR/	TRANSISTOR		
	J 502	QNN0063-001	PIN JACK	VCR(R/P)			Q 911	KTC3200/GL/-T	TRANSISTOR		
	J 521	QNS0073-001	JACK				Q 913	KTA1268/GL/-T	TRANSISTOR		
	J1331	QNS0022-001	JACK				Q 915	2SD2390/OPY/-F6	TRANSISTOR		
	L 301	QQLZ005-R45	INDUCTOR				Q 917	2SB1560/OPY/-F6	TRANSISTOR		
	L 302	QQLZ005-R45	INDUCTOR				Q 919	KTA1268/GL/-T	TRANSISTOR		
	L 801	QQLZ005-R45	INDUCTOR			△	R 201	QRJ146J-2R7X	UNF C RESISTOR	2.7 5% 1/4W	
	L 802	QQLZ005-R45	INDUCTOR			△	R 203	QRJ146J-100X	UNF C RESISTOR	10 5% 1/4W	
	L 901	QQLZ005-R45	INDUCTOR			△	R 204	QRJ146J-821X	UNF C RESISTOR	820 5% 1/4W	
	Q 202	KRC105M-T	D.TR.I.M.			△	R 208	QRJ146J-100X	UNF C RESISTOR	10 5% 1/4W	
	Q 203	KTC3203/OY/-T	TRANSISTOR				R 209	QRE141J-104Y	C RESISTOR	100K 5% 1/4W	
	Q 205	KTC3200/GL/-T	TRANSISTOR			△	R 210	QRJ146J-680X	UNF C RESISTOR	68 5% 1/4W	
	Q 206	KRC105M-T	D.TR.I.M.			△	R 221	QRJ146J-100X	UNF C RESISTOR	10 5% 1/4W	
	Q 207	KRC105M-T	D.TR.I.M.				R 301	QRE141J-222Y	C RESISTOR	2.2K 5% 1/4W	
	Q 208	KRC105M-T	D.TR.I.M.				R 302	QRE141J-222Y	C RESISTOR	2.2K 5% 1/4W	
	Q 209	KRC105M-T	D.TR.I.M.				R 303	QRE141J-563Y	C RESISTOR	56K 5% 1/4W	
	Q 210	KRC105M-T	D.TR.I.M.				R 304	QRE141J-563Y	C RESISTOR	56K 5% 1/4W	
	Q 301	2SC2240/L/-T	TR.I/M				R 305	QRE141J-123Y	C RESISTOR	12K 5% 1/4W	
	Q 302	2SC2240/L/-T	TR.I/M				R 306	QRE141J-123Y	C RESISTOR	12K 5% 1/4W	
	Q 303	2SC2240/L/-T	TR.I/M				R 307	QRE141J-272Y	C RESISTOR	2.7K 5% 1/4W	
	Q 304	2SC2240/L/-T	TR.I/M				R 308	QRE141J-272Y	C RESISTOR	2.7K 5% 1/4W	
	Q 305	KTA1268/GL/-T	TRANSISTOR				R 309	QRE141J-101Y	C RESISTOR	100 5% 1/4W	
	Q 306	KTA1268/GL/-T	TRANSISTOR				R 310	QRE141J-101Y	C RESISTOR	100 5% 1/4W	
	Q 307	KTC3200/GL/-T	TRANSISTOR				R 311	QRJ146J-391X	UNF C RESISTOR	390 5% 1/4W	
	Q 308	KTC3200/GL/-T	TRANSISTOR				R 312	QRJ146J-391X	UNF C RESISTOR	390 5% 1/4W	
	Q 309	2SD637/QR/	TRANSISTOR				R 313	QRE141J-563Y	C RESISTOR	56K 5% 1/4W	

## ■ Electrical parts list (Power amp board)

Block No. 01

△	Item	Parts number	Parts name	Remarks	Area
	R 314	QRE141J-563Y	C RESISTOR	56K 5% 1/4W	
△	R 315	QRJ146J-331X	UNF C RESISTOR	330 5% 1/4W	
△	R 316	QRJ146J-331X	UNF C RESISTOR	330 5% 1/4W	
	R 317	QRE141J-473Y	C RESISTOR	47K 5% 1/4W	
	R 318	QRE141J-473Y	C RESISTOR	47K 5% 1/4W	
	R 319	QRJ146J-331X	UNF C RESISTOR	330 5% 1/4W	
	R 320	QRJ146J-331X	UNF C RESISTOR	330 5% 1/4W	
△	R 321	QRJ146J-100X	UNF C RESISTOR	10 5% 1/4W	
△	R 322	QRJ146J-100X	UNF C RESISTOR	10 5% 1/4W	
△	R 323	QRJ146J-100X	UNF C RESISTOR	10 5% 1/4W	
△	R 324	QRJ146J-100X	UNF C RESISTOR	10 5% 1/4W	
	R 325	QRE141J-361Y	C RESISTOR	360 5% 1/4W	
	R 326	QRE141J-361Y	C RESISTOR	360 5% 1/4W	
	R 327	QRE141J-471Y	C RESISTOR	470 5% 1/4W	
	R 328	QRE141J-471Y	C RESISTOR	470 5% 1/4W	
	R 329	QRE141J-471Y	C RESISTOR	470 5% 1/4W	
	R 330	QRE141J-471Y	C RESISTOR	470 5% 1/4W	
△	R 331	QRJ146J-100X	UNF C RESISTOR	10 5% 1/4W	
△	R 332	QRJ146J-100X	UNF C RESISTOR	10 5% 1/4W	
△	R 333	QRJ146J-100X	UNF C RESISTOR	10 5% 1/4W	
△	R 334	QRJ146J-100X	UNF C RESISTOR	10 5% 1/4W	
	R 335	QRE141J-121Y	C RESISTOR	120 5% 1/4W	
	R 336	QRE141J-121Y	C RESISTOR	120 5% 1/4W	
	R 337	QRE141J-121Y	C RESISTOR	120 5% 1/4W	
	R 338	QRE141J-121Y	C RESISTOR	120 5% 1/4W	
	R 339	QRE141J-181Y	C RESISTOR	180 5% 1/4W	
	R 340	QRE141J-181Y	C RESISTOR	180 5% 1/4W	
	R 341	QRE141J-181Y	C RESISTOR	180 5% 1/4W	
	R 342	QRE141J-181Y	C RESISTOR	180 5% 1/4W	
	R 343	QRZ0218-R22	C RESISTOR	1/2W	
	R 344	QRZ0218-R22	C RESISTOR	1/2W	
	R 345	QRE141J-102Y	C RESISTOR	1.0K 5% 1/4W	
	R 346	QRE141J-102Y	C RESISTOR	1.0K 5% 1/4W	
	R 347	QRE141J-153Y	C RESISTOR	15K 5% 1/4W	
	R 348	QRE141J-153Y	C RESISTOR	15K 5% 1/4W	
	R 349	QRE141J-473Y	C RESISTOR	47K 5% 1/4W	
	R 350	QRE141J-473Y	C RESISTOR	47K 5% 1/4W	
△	R 351	QRJ125J-330	UNF OMF RESISTO	33 5% 1/2W	
△	R 352	QRJ125J-330	UNF OMF RESISTO	33 5% 1/2W	
△	R 353	QRL027J-100	UNF OMF RESISTO	10 5% 1/2W	
△	R 354	QRL027J-100	UNF OMF RESISTO	10 5% 1/2W	
	R 363	QRE141J-272Y	C RESISTOR	2.7K 5% 1/4W	
	R 364	QRE141J-272Y	C RESISTOR	2.7K 5% 1/4W	
	R 501	QRE141J-331Y	C RESISTOR	330 5% 1/4W	
	R 502	QRE141J-750Y	C RESISTOR	75 5% 1/4W	
	R 505	QRE141J-750Y	C RESISTOR	75 5% 1/4W	
	R 506	QRE141J-473Y	C RESISTOR	47K 5% 1/4W	
	R 507	QRE141J-331Y	C RESISTOR	330 5% 1/4W	
	R 508	QRE141J-750Y	C RESISTOR	75 5% 1/4W	
	R 509	QRE141J-750Y	C RESISTOR	75 5% 1/4W	
	R 510	QRE141J-473Y	C RESISTOR	47K 5% 1/4W	
	R 511	QRE141J-151Y	C RESISTOR	150 5% 1/4W	
	R 512	QRE141J-271Y	C RESISTOR	270 5% 1/4W	
	R 513	QRE141J-152Y	C RESISTOR	1.5K 5% 1/4W	
	R 514	QRE141J-151Y	C RESISTOR	150 5% 1/4W	
	R 515	QRE141J-271Y	C RESISTOR	270 5% 1/4W	
	R 516	QRE141J-152Y	C RESISTOR	1.5K 5% 1/4W	
	R 521	QRE141J-221Y	C RESISTOR	220 5% 1/4W	
	R 522	QRE141J-471Y	C RESISTOR	470 5% 1/4W	
	R 801	QRE141J-222Y	C RESISTOR	2.2K 5% 1/4W	
	R 802	QRE141J-222Y	C RESISTOR	2.2K 5% 1/4W	
	R 803	QRE141J-563Y	C RESISTOR	56K 5% 1/4W	
	R 804	QRE141J-563Y	C RESISTOR	56K 5% 1/4W	

△	Item	Parts number	Parts name	Remarks	Area
	R 805	QRE141J-123Y	C RESISTOR	12K 5% 1/4W	
	R 806	QRE141J-123Y	C RESISTOR	12K 5% 1/4W	
	R 807	QRE141J-272Y	C RESISTOR	2.7K 5% 1/4W	
	R 808	QRE141J-272Y	C RESISTOR	2.7K 5% 1/4W	
	R 809	QRE141J-101Y	C RESISTOR	100 5% 1/4W	
	R 810	QRE141J-101Y	C RESISTOR	100 5% 1/4W	
	R 811	QRJ146J-391X	UNF C RESISTOR	390 5% 1/4W	
	R 812	QRJ146J-391X	UNF C RESISTOR	390 5% 1/4W	
	R 813	QRE141J-563Y	C RESISTOR	56K 5% 1/4W	
	R 814	QRE141J-563Y	C RESISTOR	56K 5% 1/4W	
△	R 815	QRJ146J-331X	UNF C RESISTOR	330 5% 1/4W	
△	R 816	QRJ146J-331X	UNF C RESISTOR	330 5% 1/4W	
△	R 821	QRJ146J-100X	UNF C RESISTOR	10 5% 1/4W	
△	R 822	QRJ146J-100X	UNF C RESISTOR	10 5% 1/4W	
△	R 823	QRJ146J-100X	UNF C RESISTOR	10 5% 1/4W	
△	R 824	QRJ146J-100X	UNF C RESISTOR	10 5% 1/4W	
	R 825	QRE141J-361Y	C RESISTOR	360 5% 1/4W	
	R 826	QRE141J-361Y	C RESISTOR	360 5% 1/4W	
	R 827	QRE141J-821Y	C RESISTOR	820 5% 1/4W	
	R 828	QRE141J-821Y	C RESISTOR	820 5% 1/4W	
	R 829	QRE141J-471Y	C RESISTOR	470 5% 1/4W	
	R 830	QRE141J-471Y	C RESISTOR	470 5% 1/4W	
△	R 831	QRJ146J-100X	UNF C RESISTOR	10 5% 1/4W	
△	R 832	QRJ146J-100X	UNF C RESISTOR	10 5% 1/4W	
△	R 833	QRJ146J-100X	UNF C RESISTOR	10 5% 1/4W	
△	R 834	QRJ146J-100X	UNF C RESISTOR	10 5% 1/4W	
	R 835	QRE141J-181Y	C RESISTOR	180 5% 1/4W	
	R 836	QRE141J-181Y	C RESISTOR	180 5% 1/4W	
	R 837	QRE141J-181Y	C RESISTOR	180 5% 1/4W	
	R 838	QRE141J-181Y	C RESISTOR	180 5% 1/4W	
	R 839	QRE141J-181Y	C RESISTOR	180 5% 1/4W	
	R 840	QRE141J-181Y	C RESISTOR	180 5% 1/4W	
	R 841	QRE141J-181Y	C RESISTOR	180 5% 1/4W	
	R 842	QRE141J-181Y	C RESISTOR	180 5% 1/4W	
	R 843	QRZ0218-R22	C RESISTOR	1/2W	
	R 844	QRZ0218-R22	C RESISTOR	1/2W	
	R 845	QRE141J-102Y	C RESISTOR	1.0K 5% 1/4W	
	R 846	QRE141J-102Y	C RESISTOR	1.0K 5% 1/4W	
	R 847	QRE141J-183Y	C RESISTOR	18K 5% 1/4W	
	R 848	QRE141J-183Y	C RESISTOR	18K 5% 1/4W	
	R 849	QRE141J-123Y	C RESISTOR	12K 5% 1/4W	
	R 850	QRE141J-123Y	C RESISTOR	12K 5% 1/4W	
△	R 851	QRJ125J-330	UNF OMF RESISTO	33 5% 1/2W	
△	R 852	QRJ125J-330	UNF OMF RESISTO	33 5% 1/2W	
△	R 853	QRL027J-100	UNF OMF RESISTO	10 5% 1/2W	
△	R 854	QRL027J-100	UNF OMF RESISTO	10 5% 1/2W	
	R 855	QRE141J-332Y	C RESISTOR	3.3K 5% 1/4W	
	R 856	QRE141J-332Y	C RESISTOR	3.3K 5% 1/4W	
	R 857	QRE141J-332Y	C RESISTOR	3.3K 5% 1/4W	
	R 858	QRE141J-332Y	C RESISTOR	3.3K 5% 1/4W	
	R 859	QRE141J-332Y	C RESISTOR	3.3K 5% 1/4W	
	R 860	QRE141J-332Y	C RESISTOR	3.3K 5% 1/4W	
	R 861	QRE141J-332Y	C RESISTOR	3.3K 5% 1/4W	
	R 862	QRE141J-332Y	C RESISTOR	3.3K 5% 1/4W	
	R 863	QRE141J-272Y	C RESISTOR	2.7K 5% 1/4W	
	R 864	QRE141J-272Y	C RESISTOR	2.7K 5% 1/4W	
	R 901	QRE141J-222Y	C RESISTOR	2.2K 5% 1/4W	
	R 903	QRE141J-563Y	C RESISTOR	56K 5% 1/4W	
	R 905	QRE141J-123Y	C RESISTOR	12K 5% 1/4W	
	R 907	QRE141J-272Y	C RESISTOR	2.7K 5% 1/4W	
	R 909	QRE141J-101Y	C RESISTOR	100 5% 1/4W	
	R 911	QRJ146J-301X	UNF C RESISTOR	300 5% 1/4W	
	R 913	QRE141J-563Y	C RESISTOR	56K 5% 1/4W	

## ■ Electrical parts list (Power amp board)

Block No. 01

△	Item	Parts number	Parts name	Remarks	Area
△	R 915	QRJ146J-331X	UNF C RESISTOR	330 5% 1/4W	
△	R 921	QRJ146J-100X	UNF C RESISTOR	10 5% 1/4W	
△	R 923	QRJ146J-100X	UNF C RESISTOR	10 5% 1/4W	
	R 925	QRE141J-361Y	C RESISTOR	360 5% 1/4W	
	R 927	QRE141J-821Y	C RESISTOR	820 5% 1/4W	
	R 929	QRE141J-471Y	C RESISTOR	470 5% 1/4W	
△	R 931	QRJ146J-100X	UNF C RESISTOR	10 5% 1/4W	
△	R 933	QRJ146J-100X	UNF C RESISTOR	10 5% 1/4W	
	R 935	QRE141J-181Y	C RESISTOR	180 5% 1/4W	
	R 937	QRE141J-181Y	C RESISTOR	180 5% 1/4W	
	R 939	QRE141J-181Y	C RESISTOR	180 5% 1/4W	
	R 941	QRE141J-181Y	C RESISTOR	180 5% 1/4W	
	R 943	QRZ0218-R22	C RESISTOR	1/2W	
	R 945	QRE141J-102Y	C RESISTOR	1.0K 5% 1/4W	
	R 947	QRE141J-183Y	C RESISTOR	18K 5% 1/4W	
	R 949	QRE141J-473Y	C RESISTOR	47K 5% 1/4W	
△	R 951	QRJ125J-330	UNF OMF RESISTO	33 5% 1/2W	
△	R 953	QRL027J-100	UNF OMF RESISTO	10 5% 1/2W	
	R 955	QRE141J-332Y	C RESISTOR	3.3K 5% 1/4W	
	R 957	QRE141J-332Y	C RESISTOR	3.3K 5% 1/4W	
	R 959	QRE141J-332Y	C RESISTOR	3.3K 5% 1/4W	
	R 961	QRE141J-332Y	C RESISTOR	3.3K 5% 1/4W	
	R 963	QRE141J-272Y	C RESISTOR	2.7K 5% 1/4W	
△	RY202	QSK0142-001	RELAY		
△	RY203	QSK0109-001	RELAY		
△	R1331	QRL027J-471	UNF OMF RESISTO	470 5% 1/2W	
△	R1332	QRL027J-471	UNF OMF RESISTO	470 5% 1/2W	
△	T 202	QQT0281-002	POWER TRANSF		
	TA201	QNZ0079-001Z	TAB IM		
	TA202	QNZ0079-001Z	TAB IM		
△	TH301	QAD0012-202	BATTERY PACK		
△	TH302	QAD0012-202	BATTERY PACK		
△	TH801	QAD0012-202	BATTERY PACK		
△	TH802	QAD0012-202	BATTERY PACK		
△	TH901	QAD0012-202	BATTERY PACK		
	VR301	QVP0008-102Z	SEMI V RESISTOR		
	VR302	QVP0008-102Z	SEMI V RESISTOR		



## ■ Electrical parts list (Main board)

Block No. 02

Item	Parts number	Parts name	Remarks	Area	Item	Parts number	Parts name	Remarks	Area
C 400	QCBB1HK-223Y	C CAPACITOR	.022MF 10% 50V		D1301	30DF2-FC	DIODE		
C 419	QCBB1HK-223Y	C CAPACITOR	.022MF 10% 50V		D1302	30DF2-FC	DIODE		
C 420	QCBB1HK-223Y	C CAPACITOR	.022MF 10% 50V		D1303	30DF2-FC	DIODE		
C 421	QCBB1HK-331Y	C CAPACITOR	330PF 10% 50V		D1304	30DF2-FC	DIODE		
C 422	QCBB1HK-331Y	C CAPACITOR	330PF 10% 50V		D1305	MTZJ18C-T2	Z.DIODE 1.M		
C 427	QCBB1HK-681Y	C CAPACITOR	680PF 10% 50V		D1306	MTZJ30C-T2	ZENER DIODE		
C 428	QCBB1HK-681Y	C CAPACITOR	680PF 10% 50V		D1307	1SS133-T2	SI DIODE IM		
C 433	QCBB1HK-681Y	C CAPACITOR	680PF 10% 50V		D1308	1SS133-T2	SI DIODE IM		
C 434	QCBB1HK-681Y	C CAPACITOR	680PF 10% 50V		D1309	MTZJ20C-T2	Z.DIODE 1.M		
C 440	QCBB1HK-221Y	C CAPACITOR	220PF 10% 50V		D1352	1SS133-T2	SI DIODE IM		
C 441	QETN1EM-106Z	E CAPACITOR	10MF 20% 25V		D1353	1SS133-T2	SI DIODE IM		
C 442	QETN1EM-106Z	E CAPACITOR	10MF 20% 25V		D1354	1SS133-T2	SI DIODE IM		
C 443	QETN1EM-226Z	E CAPACITOR	22MF 20% 25V		D1355	1SS133-T2	SI DIODE IM		
C 444	QETN1EM-226Z	E CAPACITOR	22MF 20% 25V		D1356	MTZJ5.1C-T2	ZENER DIODE		
C 445	QCBB1HK-223Y	C CAPACITOR	.022MF 10% 50V		D1357	1SS133-T2	SI DIODE IM		
C 446	QCBB1HK-223Y	C CAPACITOR	.022MF 10% 50V		D1358	1SS133-T2	SI DIODE IM		
C 451	QCBB1HK-331Y	C CAPACITOR	330PF 10% 50V		D1359	1SS133-T2	SI DIODE IM		
C 452	QCBB1HK-331Y	C CAPACITOR	330PF 10% 50V		D1360	1SS133-T2	SI DIODE IM		
C 459	QFLC1HJ-104Z	M CAPACITOR	.10MF 5% 50V		EP301	QNZ0136-001Z	EARTH PLATE		
C 460	QCZ0202-155Z	ML C CAPA I/M	1.5MF		FW301	QUM135-25Z4Z4	PARA RIBON WIRE		
CN311	QGB2510J1-14	CONNECTOR			FW302	QUM136-25Z4Z4	PARA RIBON WIRE		
CN312	QGB2510J1-14	CONNECTOR			FW303	QUM135-28DGZ4	PARA RIBON WIRE		
CN321	QGB2510J1-14	CONNECTOR			FW341	QUM135-20DGZ4	PARA RIBON WIRE		
CN331	QGB2510J1-14	CONNECTOR			IC402	TC9164AN	IC		
CN332	QGB2510J1-14	CONNECTOR			IC403	BA15218N	IC		
CN351	QJK012-032403	SKT WIRE ASSY			J 402	QNN0168-001	PIN JACK		
CN371	QJP001-031201	SHI CR C-B WIRE			J 403	QNN0168-001	PIN JACK		
CN372	QJP002-021201	SHI CR C-B WIRE			J 404	QNN0389-001	PIN JACK	DVD FL/FR	
CN373	QJP001-031201	SHI CR C-B WIRE			J 406	QNN0060-001	PIN JACK		
CN401	QGB2510K1-14	CONNECTOR			L1351	QQLZ005-R45	INDUCTOR		
CN451	QGB2510K1-11	CONNECTOR			L1352	QQLZ005-R45	INDUCTOR		
C1301	QFZ9076-104Z	MM CAPACITOR	.10MF		L1353	QQLZ005-R45	INDUCTOR		
C1302	QCE22HP-103	C CAPACITOR	.010MF +100:-0%		L1354	QQLZ005-R45	INDUCTOR		
C1303	QCE22HP-103	C CAPACITOR	.010MF +100:-0%		L1355	QQLZ005-R45	INDUCTOR		
C1304	QEZ0341-688	E CAPACITER	6800MF		Q1301	KTA1046/Y/	TRANSISTOR		
C1305	QEZ0341-688	E CAPACITER	6800MF		Q1302	KTC3200/GL/-T	TRANSISTOR		
C1306	QETN1EM-476Z	E CAPACITOR	47MF 20% 25V		Q1303	KTA1268/GL/-T	TRANSISTOR		
C1308	QETN1HM-476Z	E CAPACITOR	47MF 20% 50V		Q1304	KTC3199/GL/-T	TRANSISTOR		
C1309	QEKC1HM-106Z	E CAPACITOR	10MF 20% 50V		Q1305	2SD2395/EF/	TRANSISTOR		
C1310	QEKC1CM-476Z	E CAPACITOR	47MF 20% 16V		Q1306	KTA1023/OY/-T	TRANSISTOR		
C1311	QEKC1HM-226Z	E CAPACITOR	22MF 20% 50V		Q1307	KTC3200/GL/-T	TRANSISTOR		
C1351	QETN1HM-475Z	E CAPACITOR	4.7MF 20% 50V		Q1351	KRC109M-T	D.TR.I.M.		
C1352	QEKC1HM-475Z	E CAPACITOR	4.7MF 20% 50V		Q1352	KRC109M-T	D.TR.I.M.		
C1353	QEKC1HM-475Z	E CAPACITOR	4.7MF 20% 50V		Q1353	KRC109M-T	D.TR.I.M.		
C1354	QEKC1HM-475Z	E CAPACITOR	4.7MF 20% 50V		Q1354	KRC109M-T	D.TR.I.M.		
C1359	QFLC1HJ-223Z	M CAPACITOR	.022MF 5% 50V		Q1355	KRC109M-T	D.TR.I.M.		
C1360	QFLC1HJ-223Z	M CAPACITOR	.022MF 5% 50V		Q1356	KRC109M-T	D.TR.I.M.		
C1361	QFLC1HJ-223Z	M CAPACITOR	.022MF 5% 50V		Q1357	KRC109M-T	D.TR.I.M.		
C1362	QCS31HJ-221Z	C CAPACITOR	220PF 5% 50V		Q1358	KRC109M-T	D.TR.I.M.		
C1363	QFLC1HJ-223Z	M CAPACITOR	.022MF 5% 50V		R 421	QRE141J-471Y	C RESISTOR	470 5% 1/4W	
C1364	QCS31HJ-221Z	C CAPACITOR	220PF 5% 50V		R 422	QRE141J-471Y	C RESISTOR	470 5% 1/4W	
C1365	QFLC1HJ-473Z	M CAPACITOR	.047MF 5% 50V		R 423	QRE141J-222Y	C RESISTOR	2.2K 5% 1/4W	
C1366	QCS31HJ-221Z	C CAPACITOR	220PF 5% 50V		R 424	QRE141J-222Y	C RESISTOR	2.2K 5% 1/4W	
C1367	QCBB1HK-221Y	C CAPACITOR	220PF 10% 50V		R 425	QRE141J-471Y	C RESISTOR	470 5% 1/4W	
C1368	QFLC1HJ-102Z	M CAPACITOR	1000PF 5% 50V		R 426	QRE141J-471Y	C RESISTOR	470 5% 1/4W	
C1369	QFLC1HJ-223Z	M CAPACITOR	.022MF 5% 50V		R 429	QRE141J-102Y	C RESISTOR	1.0K 5% 1/4W	
C1370	QCS31HJ-221Z	C CAPACITOR	220PF 5% 50V		R 430	QRE141J-102Y	C RESISTOR	1.0K 5% 1/4W	
C1371	QCBB1HK-221Y	C CAPACITOR	220PF 10% 50V		R 431	QRE141J-471Y	C RESISTOR	470 5% 1/4W	
C1372	QCS31HJ-221Z	C CAPACITOR	220PF 5% 50V		R 432	QRE141J-471Y	C RESISTOR	470 5% 1/4W	
C1373	QFLC1HJ-223Z	M CAPACITOR	.022MF 5% 50V		R 435	QRE141J-102Y	C RESISTOR	1.0K 5% 1/4W	
C1374	QCS31HJ-221Z	C CAPACITOR	220PF 5% 50V		R 436	QRE141J-102Y	C RESISTOR	1.0K 5% 1/4W	
C1375	QCS31HJ-221Z	C CAPACITOR	220PF 5% 50V		R 440	QRE141J-102Y	C RESISTOR	1.0K 5% 1/4W	
C1376	QCBB1HK-221Y	C CAPACITOR	220PF 10% 50V		R 441	QRE141J-104Y	C RESISTOR	100K 5% 1/4W	

## ■ Electrical parts list (Main board)

Block No. 02

△	Item	Parts number	Parts name	Remarks	Area
	R 442	QRE141J-104Y	C RESISTOR	100K 5% 1/4W	
	R 443	QRE141J-104Y	C RESISTOR	100K 5% 1/4W	
	R 444	QRE141J-104Y	C RESISTOR	100K 5% 1/4W	
	R 445	QRE141J-104Y	C RESISTOR	100K 5% 1/4W	
	R 446	QRE141J-104Y	C RESISTOR	100K 5% 1/4W	
△	R 449	QRJ146J-271X	UNF C RESISTOR	270 5% 1/4W	
△	R 450	QRJ146J-271X	UNF C RESISTOR	270 5% 1/4W	
	R 451	QRE141J-471Y	C RESISTOR	470 5% 1/4W	
	R 452	QRE141J-471Y	C RESISTOR	470 5% 1/4W	
	R 458	QRJ146J-271X	UNF C RESISTOR	270 5% 1/4W	
	R 459	QRJ146J-271X	UNF C RESISTOR	270 5% 1/4W	
△	RY302	QSK0109-001	RELAY		
△	RY303	QSK0109-001	RELAY		
△	RY304	QSK0109-001	RELAY		
△	R1301	QRL027J-332	UNF OMF RESISTO	3.3K 5% 1/2W	
△	R1302	QRZ9005-100X	F RESISTOR	10 1/4W	
△	R1303	QRJ146J-562X	UNF C RESISTOR	5.6K 5% 1/4W	
	R1304	QRE141J-104Y	C RESISTOR	100K 5% 1/4W	
	R1305	QRE141J-104Y	C RESISTOR	100K 5% 1/4W	
	R1306	QRE141J-823Y	C RESISTOR	82K 5% 1/4W	
	R1307	QRE141J-104Y	C RESISTOR	100K 5% 1/4W	
	R1308	QRE141J-104Y	C RESISTOR	100K 5% 1/4W	
	R1309	QRE141J-103Y	C RESISTOR	10K 5% 1/4W	
	R1310	QRE141J-103Y	C RESISTOR	10K 5% 1/4W	
	R1311	QRE141J-104Y	C RESISTOR	100K 5% 1/4W	
	R1312	QRE141J-104Y	C RESISTOR	100K 5% 1/4W	
△	R1313	QRZ9005-100X	F RESISTOR	10 1/4W	
△	R1314	QRJ146J-103X	UNF C RESISTOR	10K 5% 1/4W	
△	R1315	QRJ146J-2R2X	UNF C RESISTOR	2.2 5% 1/4W	
△	R1316	QRJ146J-102X	UNF C RESISTOR	1.0K 5% 1/4W	
△	R1317	QRJ146J-223X	UNF C RESISTOR	22K 5% 1/4W	
	R1318	QRE141J-223Y	C RESISTOR	22K 5% 1/4W	
	R1319	QRE141J-473Y	C RESISTOR	47K 5% 1/4W	
△	R1352	QRJ146J-680X	UNF C RESISTOR	68 5% 1/4W	
△	R1353	QRJ146J-680X	UNF C RESISTOR	68 5% 1/4W	
△	R1354	QRJ146J-680X	UNF C RESISTOR	68 5% 1/4W	
△	R1355	QRJ146J-392X	UNF C RESISTOR	3.9K 5% 1/4W	
	R1356	QRE141J-472Y	C RESISTOR	4.7K 5% 1/4W	
	R1357	QRE141J-223Y	C RESISTOR	22K 5% 1/4W	
	R1358	QRE141J-682Y	C RESISTOR	6.8K 5% 1/4W	
	R1359	QRE141J-472Y	C RESISTOR	4.7K 5% 1/4W	
	R1360	QRE141J-472Y	C RESISTOR	4.7K 5% 1/4W	
	R1361	QRE141J-472Y	C RESISTOR	4.7K 5% 1/4W	
	R1362	QRE141J-472Y	C RESISTOR	4.7K 5% 1/4W	
	R1363	QRE141J-472Y	C RESISTOR	4.7K 5% 1/4W	
	R1364	QRE141J-223Y	C RESISTOR	22K 5% 1/4W	
	R1365	QRE141J-682Y	C RESISTOR	6.8K 5% 1/4W	
	R1366	QRE141J-223Y	C RESISTOR	22K 5% 1/4W	
	R1367	QRE141J-682Y	C RESISTOR	6.8K 5% 1/4W	
△	R1370	QRJ146J-2R7X	UNF C RESISTOR	2.7 5% 1/4W	
△	R1371	QRJ146J-2R7X	UNF C RESISTOR	2.7 5% 1/4W	
△	R1372	QRJ146J-2R7X	UNF C RESISTOR	2.7 5% 1/4W	
△	R1373	QRJ146J-2R7X	UNF C RESISTOR	2.7 5% 1/4W	
△	R1374	QRJ146J-2R7X	UNF C RESISTOR	2.7 5% 1/4W	
	ST304	QNB0103-002	SPK TERMINAL	CENT/REAR	
	ST305	QNB0001-002	SPK TERMINAL	FRONT	

## ■ Electrical parts list (System control &amp; Audio board) Block No. 03

△	Item	Parts number	Parts name	Remarks	Area	△	Item	Parts number	Parts name	Remarks	Area
	BK701	LV42093-001A	FL HOLDER(L)				C1435	QCB31HK-822Z	C CAPACITOR	8200PF 10% 50V	
	BK702	LV42092-001A	FL HOLDER(R)				C1436	NCB31CK-223X	C CAPACITOR		
	C 701	QEKCOJM-107Z	E CAPACITOR	100MF 20% 6.3V			C1437	QCZ0202-155Z	ML C CAPA I/M	1.5MF	
	C 702	QCZ0202-155Z	ML C CAPA I/M	1.5MF			C1438	QETNOJM-477Z	E CAPACITOR	470MF 20% 6.3V	
	C 703	QEKCIHM-225Z	E CAPACITOR	2.2MF 20% 50V			C1439	QFLC1HJ-562Z	M CAPACITOR	5600PF 5% 50V	
	C 704	NCB31CK-223X	C CAPACITOR				C1440	QFLC1HJ-562Z	M CAPACITOR	5600PF 5% 50V	
	C 705	QEKCOJM-107Z	E CAPACITOR	100MF 20% 6.3V			C1443	QCZ0202-155Z	ML C CAPA I/M	1.5MF	
	C 706	NCB21HK-331X	C.CAPA. C.M				C1444	NCB31CK-223X	C CAPACITOR		
	C 707	QEKCIHM-475Z	E CAPACITOR	4.7MF 20% 50V			C1445	NCB31CK-223X	C CAPACITOR		
	C 708	QEKCIHM-475Z	E CAPACITOR	4.7MF 20% 50V			C1446	NCB31HK-221X	C CAPACITOR		
	C 709	QEKCIHM-475Z	E CAPACITOR	4.7MF 20% 50V			C1447	QEKCIHM-475Z	E CAPACITOR	4.7MF 20% 50V	
	C 713	NCB21HK-103X	C CAPACITOR				C1453	QETN1HM-475Z	E CAPACITOR	4.7MF 20% 50V	
	C 714	NCB21HK-103X	C CAPACITOR				C1459	QETN1HM-475Z	E CAPACITOR	4.7MF 20% 50V	
	C 715	NCB21HK-103X	C CAPACITOR				C1460	NCB31CK-223X	C CAPACITOR		
	C 716	NCB21HK-103X	C CAPACITOR				C1461	NCB31CK-223X	C CAPACITOR		
	C 717	NCB21HK-103X	C CAPACITOR				C1463	QETN1EM-106Z	E CAPACITOR	10MF 20% 25V	
	C 718	NCB21HK-103X	C CAPACITOR				C1464	QETN1EM-106Z	E CAPACITOR	10MF 20% 25V	
	C 719	NCB21HK-103X	C CAPACITOR				C1465	QETN1HM-106Z	E CAPACITOR	10MF 20% 50V	
	C 720	NCB31CK-104X	C CAPACITOR				D 701	1SS355-X	DIODE C.M		
	C 721	NCB31CK-104X	C CAPACITOR				D 702	1SS355-X	DIODE C.M		
	C 722	QCZ0202-155Z	ML C CAPA I/M	1.5MF			D 719	SLR-342VC-T	LED		
	C 730	NCB31CK-104X	C CAPACITOR				DI701	QLF0098-001	FL TUBE		
	CN402	QGF1205C1-25	CONNECTOR				D1401	MTZJ13C-T2	ZENER DIODE		
	CN403	QGA2001C1-04	4P PLUG ASSY				D1402	MTZJ6.2C-T2	Z DIODE I/M		
	CN411	QGB2501J1-12	CONNECTOR				D1403	MTZJ5.6C-T2	ZENER DIODE		
	CN412	QGB2501J1-04	CONNECTOR				D1404	MTZJ5.6C-T2	ZENER DIODE		
	CN421	QGB2510J1-14	CONNECTOR				D1405	MTZJ13C-T2	ZENER DIODE		
	CN431	QGB2510J1-11	CONNECTOR				D1406	MTZJ10C-T2	Z.DIODE I.M		
	CN441	QGB2510J1-07	CONNECTOR				D1407	MTZJ7.5C-T2	ZENER DIODE		
	CN471	QGA2501C1-03	3P CONNECTOR				D1408	MTZJ7.5C-T2	ZENER DIODE		
	CN472	QGA2501C1-02	2P CONNECTOR				D1409	1SS355-X	DIODE C.M		
	CN473	QGA2501C1-03	3P CONNECTOR				D1410	1SS355-X	DIODE C.M		
	CN481	QGB2510J1-20	CONNECTOR				D1411	1SS355-X	DIODE C.M		
	CN491	QGB2510J1-04	CONNECTOR				D1412	1SS355-X	DIODE C.M		
	CN701	QGF1205F1-14	CONNECTOR				EP401	QNZ0136-001Z	EARTH PLATE		
	CN702	QGF1205F1-25	CONNECTOR				FL401	QQR0590-001	FILTER		
	CN703	WJS0021-001A	SIN CR C-B WIRE				FL402	QQR0590-001	FILTER		
	CN704	WJS0020-001A	SKT.WIRE ASS'Y				HS401	E70306-001	HEAT SINK		
	CN714	QGA2001C1-03	3P PLUG ASSY				HS402	E70306-001	HEAT SINK		
	C1401	QETN1HM-476Z	E CAPACITOR	47MF 20% 50V			HS403	E70306-001	HEAT SINK		
	C1402	QETN1EM-107Z	E CAPACITOR	100MF 20% 25V			HS404	E70306-001	HEAT SINK		
	C1403	QETN1EM-107Z	E CAPACITOR	100MF 20% 25V			HS405	E70306-001	HEAT SINK		
	C1404	QETN1EM-107Z	E CAPACITOR	100MF 20% 25V			HS434	E70306-001	HEAT SINK		
	C1405	QETN1EM-107Z	E CAPACITOR	100MF 20% 25V			HS435	E70306-001	HEAT SINK		
	C1406	QETN1EM-107Z	E CAPACITOR	100MF 20% 25V			IC423	TC9162AF-X	IC		
	C1407	QCF31HZ-223Z	C CAPACITOR	.022MF +80:-20%			IC427	BA15218F-XE	IC		
	C1408	QETN1EM-476Z	E CAPACITOR	47MF 20% 25V			IC428	M62446FP-X	IC		
	C1409	QETN1EM-476Z	E CAPACITOR	47MF 20% 25V			IC701	MN101C35DJW	IC		
	C1410	NCB31CK-223X	C CAPACITOR				IC702	IC-PST9139-T	IC I.M		
	C1411	NCB31CK-223X	C CAPACITOR				IC703	GP1UM281XK	IR DETECT UNIT		
	C1422	QETN1HM-475Z	E CAPACITOR	4.7MF 20% 50V			JS701	QSW0898-001	JOG VOLUME		
	C1423	QEKCIHM-475Z	E CAPACITOR	4.7MF 20% 50V			Q 701	DTC114YKA-X	CHIP D.TRANSIST		
	C1424	QEKCIHM-475Z	E CAPACITOR	4.7MF 20% 50V			Q 702	DTC114TKA-X	TRANSISTOR		
	C1425	QEKCIHM-106Z	E CAPACITOR	10MF 20% 16V			Q 703	DTC144WKA-X	TRANSISTOR		
	C1426	NCB31CK-223X	C CAPACITOR				Q 704	DTC114YKA-X	CHIP D.TRANSIST		
	C1427	QFVF1HJ-334Z	MF CAPACITOR	.33MF 5% 50V			Q 707	DTC114YKA-X	CHIP D.TRANSIST		
	C1428	QFLC1HJ-153Z	M CAPACITOR	.015MF 5% 50V			Q 708	DTC114YKA-X	CHIP D.TRANSIST		
	C1429	QCB31HK-822Z	C CAPACITOR	8200PF 10% 50V			Q 709	DTC114YKA-X	CHIP D.TRANSIST		
	C1430	QETN1HM-475Z	E CAPACITOR	4.7MF 20% 50V			Q 711	DTA144EKA-X	TRANSISTOR		
	C1431	QETN1HM-475Z	E CAPACITOR	4.7MF 20% 50V			△ Q1401	KTA1046/Y/	TRANSISTOR		
	C1432	NCB31CK-223X	C CAPACITOR				△ Q1402	2SD2395/EF/	TRANSISTOR		
	C1433	QFVF1HJ-334Z	MF CAPACITOR	.33MF 5% 50V			△ Q1403	2SD2395/EF/	TRANSISTOR		
	C1434	QFLC1HJ-153Z	M CAPACITOR	.015MF 5% 50V			△ Q1404	2SD2395/EF/	TRANSISTOR		

■ Electrical parts list (System control & Audio board) Block No. 03

Item	Parts number	Parts name	Remarks	Area
Q1405	2SD2395/EF/	TRANSISTOR		
Q1406	KTC3203/OY/-T	TRANSISTOR		
Q1407	KTC3203/OY/-T	TRANSISTOR		
Q1408	KTA1271/OY/-T	TRANSISTOR		
Q1413	2SC3576-JVC-T	TRANSISTOR I/M		
Q1414	2SC3576-JVC-T	TRANSISTOR I/M		
Q1417	2SC3576-JVC-T	TRANSISTOR I/M		
Q1418	2SC3576-JVC-T	TRANSISTOR I/M		
Q1419	2SC3576-JVC-T	TRANSISTOR I/M		
Q1420	KRA104M-T	D.TR.I.M		
Q1421	2SC3576-JVC-T	TRANSISTOR I/M		
Q1422	2SC3576-JVC-T	TRANSISTOR I/M		
Q1423	KRA104M-T	D.TR.I.M		
Q1424	KRA104M-T	D.TR.I.M		
Q1425	2SC3576-JVC-T	TRANSISTOR I/M		
Q1426	2SC3576-JVC-T	TRANSISTOR I/M		
Q1431	KRC104M-T	D.TR.I.M		
Q1432	KRC104M-T	D.TR.I.M		
Q1433	KRC104M-T	D.TR.I.M		
Q1434	2SD2395/EF/	TRANSISTOR		
Q1435	2SD2395/EF/	TRANSISTOR		
R 475	NRSA63J-203X	MG RESISTOR		
R 476	NRSA63J-273X	MG RESISTOR		
R 477	QRZ9006-4R7X	F RESISTOR	4.7 1/4W	
R 478	QRJ146J-2R2X	UNF C RESISTOR	2.2 5% 1/4W	
R 479	QRJ146J-2R2X	UNF C RESISTOR	2.2 5% 1/4W	
R 480	NRSA63J-512X	MG RESISTOR		
R 481	NRSA63J-104X	MG RESISTOR		
R 482	NRSA63J-104X	MG RESISTOR		
R 483	NRSA63J-102X	MG RESISTOR		
R 484	NRSA63J-104X	MG RESISTOR		
R 485	NRSA63J-102X	MG RESISTOR		
R 486	NRSA63J-104X	MG RESISTOR		
R 487	NRSA63J-102X	MG RESISTOR		
R 488	NRSA63J-104X	MG RESISTOR		
R 489	NRSA63J-103X	MG RESISTOR		
R 490	NRSA63J-103X	MG RESISTOR		
R 491	NRSA63J-512X	MG RESISTOR		
R 492	NRSA63J-0R0X	MG RESISTOR		
R 493	NRSA63J-0R0X	MG RESISTOR		
R 494	NRSA63J-0R0X	MG RESISTOR		
R 495	NRSA63J-0R0X	MG RESISTOR		
R 701	NRSA63J-472X	MG RESISTOR		
R 702	NRSA63J-223X	MG RESISTOR		
R 703	NRSA63J-103X	MG RESISTOR		
R 704	NRSA63J-471X	MG RESISTOR		
R 705	NRSA63J-103X	MG RESISTOR		
R 706	NRSA63J-103X	MG RESISTOR		
R 707	NRSA63J-103X	MG RESISTOR		
R 708	NRSA63J-103X	MG RESISTOR		
R 709	NRSA63J-103X	MG RESISTOR		
R 710	NRSA63J-103X	MG RESISTOR		
R 711	NRSA63J-104X	MG RESISTOR		
R 712	NRSA63J-103X	MG RESISTOR		
R 713	NRSA63J-103X	MG RESISTOR		
R 714	NRSA63J-103X	MG RESISTOR		
R 715	NRSA63J-103X	MG RESISTOR		
R 716	NRSA63J-103X	MG RESISTOR		
R 717	NRSA63J-103X	MG RESISTOR		
R 718	NRSA63J-103X	MG RESISTOR		
R 719	NRSA63J-221X	MG RESISTOR		
R 720	NRSA63J-222X	MG RESISTOR		
R 721	NRSA63J-103X	MG RESISTOR		

Item	Parts number	Parts name	Remarks	Area
R 722	NRSA63J-102X	MG RESISTOR		
R 723	NRSA63J-102X	MG RESISTOR		
R 724	NRSA63J-122X	MG RESISTOR		
R 725	NRSA63J-152X	MG RESISTOR		
R 726	NRSA63J-222X	MG RESISTOR		
R 727	NRSA63J-272X	MG RESISTOR		
R 728	NRSA63J-103X	MG RESISTOR		
R 729	NRSA63J-102X	MG RESISTOR		
R 730	NRSA63J-102X	MG RESISTOR		
R 731	NRSA63J-122X	MG RESISTOR		
R 732	NRSA63J-152X	MG RESISTOR		
R 733	NRSA63J-222X	MG RESISTOR		
R 734	NRSA63J-272X	MG RESISTOR		
R 736	NRSA63J-103X	MG RESISTOR		
R 737	NRSA63J-102X	MG RESISTOR		
R 738	NRSA63J-102X	MG RESISTOR		
R 739	NRSA63J-122X	MG RESISTOR		
R 740	NRSA63J-152X	MG RESISTOR		
R 741	NRSA63J-222X	MG RESISTOR		
R 742	NRSA63J-272X	MG RESISTOR		
R 743	NRSA63J-103X	MG RESISTOR		
R 744	NRSA63J-102X	MG RESISTOR		
R 745	NRSA63J-102X	MG RESISTOR		
R 746	NRSA63J-122X	MG RESISTOR		
R 747	NRSA63J-152X	MG RESISTOR		
R 748	NRSA63J-222X	MG RESISTOR		
R 749	NRSA63J-272X	MG RESISTOR		
R 750	NRSA63J-103X	MG RESISTOR		
R 751	NRSA63J-102X	MG RESISTOR		
R 752	NRSA63J-102X	MG RESISTOR		
R 753	NRSA63J-122X	MG RESISTOR		
R 754	NRSA63J-152X	MG RESISTOR		
R 757	NRSA63J-103X	MG RESISTOR		
R 758	NRSA63J-103X	MG RESISTOR		
R 759	NRSA63J-103X	MG RESISTOR		
R 760	NRSA63J-103X	MG RESISTOR		
R 761	NRSA63J-103X	MG RESISTOR		
R 762	NRSA63J-102X	MG RESISTOR		
R 763	NRSA63J-102X	MG RESISTOR		
R 768	NRSA63J-103X	MG RESISTOR		
R 769	NRSA63J-102X	MG RESISTOR		
R 770	NRSA63J-102X	MG RESISTOR		
R 771	NRSA63J-102X	MG RESISTOR		
R 772	NRSA63J-392X	MG RESISTOR		
R 773	NRSA63J-392X	MG RESISTOR		
R 775	NRSA63J-103X	MG RESISTOR		
R 776	NRSA63J-152X	MG RESISTOR		
R 777	NRSA63J-222X	MG RESISTOR		
R 779	NRSA63J-103X	MG RESISTOR		
R 780	NRSA63J-221X	MG RESISTOR		
R 781	NRSA63J-221X	MG RESISTOR		
R 782	NRSA63J-221X	MG RESISTOR		
R 783	NRSA63J-221X	MG RESISTOR		
R 784	NRSA63J-221X	MG RESISTOR		
R 785	NRSA63J-221X	MG RESISTOR		
R 786	NRSA63J-221X	MG RESISTOR		
R 787	NRSA63J-221X	MG RESISTOR		
R 788	NRSA63J-221X	MG RESISTOR		
R 789	NRSA63J-221X	MG RESISTOR		
R 790	NRSA63J-221X	MG RESISTOR		
R 791	NRSA63J-221X	MG RESISTOR		
R 792	NRSA63J-221X	MG RESISTOR		
R 793	NRSA63J-221X	MG RESISTOR		

## ■ Electrical parts list (System control &amp; Audio board) Block No. 03

△	Item	Parts number	Parts name	Remarks	Area
	R 794	NRSA63J-221X	MG RESISTOR		
	R 795	NRSA63J-221X	MG RESISTOR		
	R 796	NRSA63J-221X	MG RESISTOR		
	R 797	NRSA63J-221X	MG RESISTOR		
	R 798	NRSA63J-221X	MG RESISTOR		
	R 799	NRSA63J-221X	MG RESISTOR		
△	R1401	QRZ9005-100X	F RESISTOR	10 1/4W	
△	R1402	QRJ146J-182X	UNF C RESISTOR	1.8K 5% 1/4W	
△	R1403	QRZ9005-120X	F RESISTOR	12 1/4W	
△	R1404	QRJ146J-272X	UNF C RESISTOR	2.7K 5% 1/4W	
△	R1405	QRZ9005-120X	F RESISTOR	12 1/4W	
△	R1406	QRK126J-682X	C RESISTOR	6.8K 5% 1/2W	
△	R1407	QRZ9006-4R7X	F RESISTOR	4.7 1/4W	
△	R1408	QRZ9006-4R7X	F RESISTOR	4.7 1/4W	
△	R1409	QRJ146J-272X	UNF C RESISTOR	2.7K 5% 1/4W	
△	R1410	QRZ9006-4R7X	F RESISTOR	4.7 1/4W	
△	R1411	QRJ146J-182X	UNF C RESISTOR	1.8K 5% 1/4W	
△	R1412	QRZ9005-100X	F RESISTOR	10 1/4W	
△	R1413	QRJ146J-102X	UNF C RESISTOR	1.0K 5% 1/4W	
△	R1414	QRZ9005-100X	F RESISTOR	10 1/4W	
△	R1415	QRJ146J-222X	UNF C RESISTOR	2.2K 5% 1/4W	
△	R1416	QRZ9005-100X	F RESISTOR	10 1/4W	
△	R1417	QRJ146J-222X	UNF C RESISTOR	2.2K 5% 1/4W	
△	R1418	QRZ9005-680X	F RESISTOR	68 1/4W	
△	R1419	QRZ9005-680X	F RESISTOR	68 1/4W	
	R1437	NRSA63J-102X	MG RESISTOR		
	R1438	NRSA63J-102X	MG RESISTOR		
	R1439	NRSA63J-103X	MG RESISTOR		
	R1440	NRSA63J-103X	MG RESISTOR		
	R1442	NRSA63J-104X	MG RESISTOR		
	R1444	NRSA63J-103X	MG RESISTOR		
	R1445	NRSA63J-102X	MG RESISTOR		
	R1446	NRSA63J-104X	MG RESISTOR		
	R1447	NRSA63J-102X	MG RESISTOR		
	R1448	NRSA63J-103X	MG RESISTOR		
	R1449	NRSA63J-102X	MG RESISTOR		
	R1450	NRSA63J-103X	MG RESISTOR		
	R1451	NRSA63J-104X	MG RESISTOR		
	R1452	NRSA63J-104X	MG RESISTOR		
	R1453	NRSA63J-102X	MG RESISTOR		
	R1454	NRSA63J-104X	MG RESISTOR		
	R1455	NRSA63J-104X	MG RESISTOR		
△	R1456	QRJ146J-220X	UNF C RESISTOR	22 5% 1/4W	
	R1457	NRSA63J-472X	MG RESISTOR		
	R1458	NRSA63J-472X	MG RESISTOR		
△	R1459	QRZ9005-680X	F RESISTOR	68 1/4W	
△	R1460	QRZ9005-680X	F RESISTOR	68 1/4W	
	R1461	QRJ146J-2R2X	UNF C RESISTOR	2.2 5% 1/4W	
	R1462	QRJ146J-2R2X	UNF C RESISTOR	2.2 5% 1/4W	
	R1463	NRSA63J-104X	MG RESISTOR		
	R1464	NRSA63J-104X	MG RESISTOR		
	R1465	NRSA63J-102X	MG RESISTOR		
	R1470	NRSA63J-391X	MG RESISTOR		
	R1471	NRSA63J-391X	MG RESISTOR		
	R1472	NRSA63J-103X	MG RESISTOR		
	R1473	NRSA63J-103X	MG RESISTOR		
	R1474	NRSA63J-102X	MG RESISTOR		
	R1480	NRSA63J-104X	MG RESISTOR		
	R1490	NRSA63J-273X	MG RESISTOR		
	R1492	NRSA63J-102X	MG RESISTOR		
	R1493	NRSA63J-102X	MG RESISTOR		
	R1494	NRSA63J-102X	MG RESISTOR		
	R1495	NRSA63J-103X	MG RESISTOR		
△	R1496	NRSA63J-103X	MG RESISTOR		
	R1497	NRSA63J-511X	MG RESISTOR		
	R1498	NRSA63J-511X	MG RESISTOR		
	R1499	NRSA63J-104X	MG RESISTOR		
	R1500	NRSA63J-474X	MG RESISTOR		
	S 721	QSW0683-001Z	PUSH SWITCH	TUNING+	
	S 722	QSW0683-001Z	PUSH SWITCH	TUNING-	
	S 723	QSW0683-001Z	PUSH SWITCH	PRESET+	
	S 724	QSW0683-001Z	PUSH SWITCH	PRESET-	
	S 725	QSW0683-001Z	PUSH SWITCH	FM MODE	
	S 726	QSW0683-001Z	PUSH SWITCH	MEMORY	
	S 727	QSW0683-001Z	PUSH SWITCH	POWER	
	S 728	QSW0683-001Z	PUSH SWITCH	SURROUND	
	S 729	QSW0683-001Z	PUSH SWITCH	SURR MODE	
	S 732	QSW0683-001Z	PUSH SWITCH	SPK1	
	S 740	QSW0683-001Z	PUSH SWITCH	TV/DBS(COM)	
	S 741	QSW0683-001Z	PUSH SWITCH	FM/AM(COM)	
	S 742	QSW0683-001Z	PUSH SWITCH	ADJUST	
	S 743	QSW0683-001Z	PUSH SWITCH	SETTING	
	S 744	QSW0683-001Z	PUSH SWITCH	+	
	S 745	QSW0683-001Z	PUSH SWITCH	-	
	S 746	QSW0683-001Z	PUSH SWITCH	DIMMER	
	S 747	QSW0683-001Z	PUSH SWITCH	PTY	
	S 748	QSW0683-001Z	PUSH SWITCH	TA/NEWS/INFO	
	S 749	QSW0683-001Z	PUSH SWITCH	DISPLAY	
	S 751	QSW0683-001Z	PUSH SWITCH	DIGITAL	
	S 752	QSW0683-001Z	PUSH SWITCH	ANALOG	
	S 754	QSW0683-001Z	PUSH SWITCH	DVD	
	S 755	QSW0683-001Z	PUSH SWITCH	CD	
	S 756	QSW0683-001Z	PUSH SWITCH	VCR	
	S 757	QSW0683-001Z	PUSH SWITCH	TAPE/CDR	
	X 701	QAX0246-001Z	C RESONATOR		

## ■ Electrical parts list (DSP board)

Block No. 04

△	Item	Parts number	Parts name	Remarks	Area	△	Item	Parts number	Parts name	Remarks	Area
	C 601	NCB31HK-102X	C CAPACITOR				C2512	NCF31CZ-104X	C CAPACITOR		
	C 602	NCB31HK-102X	C CAPACITOR				C2513	NCB31HK-122X	C CAPACITOR		
	C 603	QEKC0JM-107Z	E CAPACITOR	100MF 20% 6.3V			C2514	NCB31HK-122X	C CAPACITOR		
	C 604	QEKC0JM-107Z	E CAPACITOR	100MF 20% 6.3V			C2515	NCS31HJ-121X	C CAPACITOR		
	C 605	NCF31CZ-104X	C CAPACITOR				C2516	NCS31HJ-121X	C CAPACITOR		
	C 606	NCF31CZ-104X	C CAPACITOR				C2525	NCB31HK-102X	C CAPACITOR		
	C 607	QEKC1CM-107Z	E CAPACITOR	100MF 20% 16V			C2526	NCB31HK-102X	C CAPACITOR		
	C 608	NCF31CZ-104X	C CAPACITOR				C2527	QETN1HM-106Z	E CAPACITOR	10MF 20% 50V	
	C 609	NCF31CZ-104X	C CAPACITOR				C2528	QETN1HM-106Z	E CAPACITOR	10MF 20% 50V	
	C 610	QEKC0JM-107Z	E CAPACITOR	100MF 20% 6.3V			C2531	NCS31HJ-560X	C CAPACITOR		
	C 611	QEKC0JM-107Z	E CAPACITOR	100MF 20% 6.3V			C2532	NCS31HJ-560X	C CAPACITOR		
	C 612	NCB31CK-103X	C CAPACITOR				C2533	QETN1HM-475Z	E CAPACITOR	4.7MF 20% 50V	
	C 621	QEKC1HM-105Z	E CAPACITOR	1.0MF 20% 50V			C2534	QETN1HM-475Z	E CAPACITOR	4.7MF 20% 50V	
	C 622	NCS31HJ-101X	C.CAPA. C.M				C2539	NCF31CZ-104X	C CAPACITOR		
	C 624	NCF31CZ-104X	C CAPACITOR				C2540	NCF31CZ-104X	C CAPACITOR		
	C 626	NCF31AZ-105X	C CAPACITOR				C2551	NCS31HJ-560X	C CAPACITOR		
	C 627	NCF31AZ-105X	C CAPACITOR				C2552	NCS31HJ-560X	C CAPACITOR		
	C 628	NCB31CK-103X	C CAPACITOR				C2555	NCF31CZ-104X	C CAPACITOR		
	C 631	QEKC0JM-107Z	E CAPACITOR	100MF 20% 6.3V			C2556	NCF31CZ-104X	C CAPACITOR		
	C 632	NCB31CK-103X	C CAPACITOR				C2561	QETN1HM-105Z	E CAPACITOR	1.0MF 20% 50V	
	C 633	NCF31CZ-104X	C CAPACITOR				C2562	QETN1HM-105Z	E CAPACITOR	1.0MF 20% 50V	
	C 634	NCF31CZ-104X	C CAPACITOR				C2563	NCS31HJ-560X	C CAPACITOR		
	C 635	NCF31CZ-104X	C CAPACITOR				C2564	NCS31HJ-560X	C CAPACITOR		
	C 636	NCB31CK-473X	C CAPACITOR				C2565	NCB31HK-102X	C CAPACITOR		
	C 638	QEKC0JM-107Z	E CAPACITOR	100MF 20% 6.3V			C2566	NCB31HK-102X	C CAPACITOR		
	C 639	NCB31CK-103X	C CAPACITOR				C2569	NCF31CZ-104X	C CAPACITOR		
	C 640	NCB31CK-103X	C CAPACITOR				C2570	NCF31CZ-104X	C CAPACITOR		
	C 641	QEKC0JM-107Z	E CAPACITOR	100MF 20% 6.3V			C2575	NCB31HK-102X	C CAPACITOR		
	C 642	NCB31CK-103X	C CAPACITOR				C2576	NCB31HK-102X	C CAPACITOR		
	C 643	NCB31AK-474X	C CAPACITOR				C2577	QETN1HM-106Z	E CAPACITOR	10MF 20% 50V	
	C 644	NCB31CK-103X	C CAPACITOR				C2578	QETN1HM-106Z	E CAPACITOR	10MF 20% 50V	
	C 645	NCS31HJ-101X	C.CAPA. C.M				C2581	QETN1HM-105Z	E CAPACITOR	1.0MF 20% 50V	
	C 646	NCB31CK-103X	C CAPACITOR				C2582	QETN1CM-106Z	E CAPACITOR	10MF 20% 16V	
	C 647	NCS31HJ-220X	C CAPACITOR				C2583	NCS31HJ-560X	C CAPACITOR		
	C 648	NCS31HJ-180X	C CAPACITOR				C2584	NCS31HJ-560X	C CAPACITOR		
	C 649	NCS31HJ-121X	C CAPACITOR				C2585	NCF31CZ-104X	C CAPACITOR		
	C 653	NCB31CK-104X	C CAPACITOR				C2586	NCF31CZ-104X	C CAPACITOR		
	C 654	QEKC0JM-107Z	E CAPACITOR	100MF 20% 6.3V			C2587	NCS31HJ-560X	C CAPACITOR		
	C 661	NCB31CK-103X	C CAPACITOR				C2588	QETN1HM-475Z	E CAPACITOR	4.7MF 20% 50V	
	C 671	NCB31CK-103X	C CAPACITOR				C2589	NCF31CZ-104X	C CAPACITOR		
	C 672	QEKC0JM-107Z	E CAPACITOR	100MF 20% 6.3V			C2590	NCF31CZ-104X	C CAPACITOR		
	C 673	NCB31CK-103X	C CAPACITOR				C2591	NCB31HK-102X	C CAPACITOR		
	C 677	NCS31HJ-101X	C.CAPA. C.M				C2592	NCB31HK-103X	C CAPACITOR		
	C 679	NCS31HJ-101X	C.CAPA. C.M				C2594	NCB31CK-473X	C CAPACITOR		
	C 681	NCB31CK-103X	C CAPACITOR				C2595	NCB31HK-102X	C CAPACITOR		
	C 682	NCB31CK-103X	C CAPACITOR				C2597	QETN1HM-106Z	E CAPACITOR	10MF 20% 50V	
	C 683	NCB31CK-103X	C CAPACITOR				C2598	QETN1HM-475Z	E CAPACITOR	4.7MF 20% 50V	
	C 684	QEKC0JM-107Z	E CAPACITOR	100MF 20% 6.3V			D 607	1SS355-X	DIODE C.M		
	C 685	QEKC1CM-476Z	E CAPACITOR	47MF 20% 16V			D 608	1SS355-X	DIODE C.M		
	C 686	QEKC1CM-476Z	E CAPACITOR	47MF 20% 16V			D 609	1SS355-X	DIODE C.M		
	C 687	NCB31CK-103X	C CAPACITOR				D 610	1SS355-X	DIODE C.M		
	C 688	QEKC0JM-107Z	E CAPACITOR	100MF 20% 6.3V			IC601	AK4527BVQP	IC		
	C 689	NCB31CK-103X	C CAPACITOR				IC609	BA15218F-XE	IC		
	C 690	QEKC0JM-107Z	E CAPACITOR	100MF 20% 6.3V			IC610	BA15218F-XE	IC		
	C 691	NCB31HK-103X	C CAPACITOR				IC611	TC74HC08AF-X	IC		
	C 693	NCB31CK-103X	C CAPACITOR				IC612	TC74HC4072AF-X	IC		
	C 694	NCF31CZ-104X	C CAPACITOR				IC621	TC74HCU04AF-W	IC		
	CN681	QGB2510K1-20	B TO B CONNE				IC631	TC9446F-025	IC		
	C2500	QEKC1CM-226Z	E CAPACITOR	22MF 20% 16V			IC641	W24L010AJ-12-X	IC		
	C2503	QETN1HM-475Z	E CAPACITOR	4.7MF 20% 50V			IC650	BA15218F-XE	IC		
	C2504	QETN1HM-475Z	E CAPACITOR	4.7MF 20% 50V			IC651	BA15218F-XE	IC		
	C2507	NCS31HJ-330X	C CAPACITOR				IC652	IMX9-W	IC		
	C2508	NCS31HJ-330X	C CAPACITOR				IC661	BA15218F-XE	IC		

## ■ Electrical parts list (DSP board)

Block No. 04

△	Item	Parts number	Parts name	Remarks	Area
	IC662	IMX9-W	IC		
	IC671	UPD784215AGC167	IC(MICRO C ROM)		
	IC672	TC7SET32FU-X	IC		
	IC681	BA033FP-X	I.C.		
	IC682	IMX9-W	IC		
	IC683	BA033LBSG-W	IC		
	IC690	BA15218F-XE	IC		
	IC691	BA15218F-XE	IC		
	J 601	QNN0347-001	PIN JACK		
	K 601	NQR0269-004X	FERRITE BEADS		
	Q 607	DTA144EKA-X	TRANSISTOR		
	Q 670	DTC114YE-X	TRANSISTOR		
	Q 671	2SD2114K/VW/-X	CHIP TRANSISTOR		
	Q 672	DTC114YE-X	TRANSISTOR		
	Q 673	DTA144EKA-X	TRANSISTOR		
	Q2501	DTA144EKA-X	TRANSISTOR		
	R 600	NRSA63J-0R0X	MG RESISTOR		
	R 601	NRSA63J-473X	MG RESISTOR		
	R 602	NRSA63J-473X	MG RESISTOR		
	R 603	NRSA63J-473X	MG RESISTOR		
	R 606	NRSA63J-221X	MG RESISTOR		
	R 607	NRSA63J-221X	MG RESISTOR		
	R 608	NRSA63J-221X	MG RESISTOR		
	R 609	NRSA63J-221X	MG RESISTOR		
	R 611	NRSA63J-221X	MG RESISTOR		
	R 612	NRSA63J-221X	MG RESISTOR		
	R 613	NRSA63J-822X	MG RESISTOR		
	R 615	NRSA63J-432X	MG RESISTOR		
	R 617	NRSA63J-103X	MG RESISTOR		
	R 618	NRSA63J-103X	MG RESISTOR		
	R 620	NRSA63J-221X	MG RESISTOR		
	R 621	NRSA63J-561X	MG RESISTOR		
	R 622	NRSA63J-750X	MG RESISTOR		
	R 623	NRSA63J-331X	MG RESISTOR		
	R 624	NRSA63J-222X	MG RESISTOR		
	R 627	NRSA63J-472X	MG RESISTOR		
	R 628	NRSA63J-333X	MG RESISTOR		
	R 631	NRSA63J-0R0X	MG RESISTOR		
	R 632	NRSA63J-0R0X	MG RESISTOR		
	R 639	NRSA63J-472X	MG RESISTOR		
	R 640	NRSA63J-0R0X	MG RESISTOR		
	R 641	NRSA63F-102X	MG RESISTOR		
	R 642	NRSA63J-103X	MG RESISTOR		
	R 643	NRSA63J-101X	MG RESISTOR		
	R 644	NRSA63J-153X	MG RESISTOR		
	R 645	NRSA63F-102X	MG RESISTOR		
	R 646	NRSA63J-103X	MG RESISTOR		
	R 647	NRSA63J-225X	MG RESISTOR		
	R 648	NRSA63J-472X	MG RESISTOR		
	R 657	NRSA63J-103X	MG RESISTOR		
	R 661	NRSA63J-221X	MG RESISTOR		
	R 662	NRSA63J-221X	MG RESISTOR		
	R 663	NRSA63J-221X	MG RESISTOR		
	R 664	NRSA63J-221X	MG RESISTOR		
	R 668	NRSA63J-0R0X	MG RESISTOR		
	R 669	NRSA63J-103X	MG RESISTOR		
	R 670	NRSA63J-103X	MG RESISTOR		
	R 671	NRSA63J-103X	MG RESISTOR		
	R 672	NRSA63J-105X	MG RESISTOR		
	R 673	NRSA63J-432X	MG RESISTOR		
	R 674	NRSA63J-432X	MG RESISTOR		
	R 675	NRSA63J-432X	MG RESISTOR		
	R 676	NRSA63J-432X	MG RESISTOR		

△	Item	Parts number	Parts name	Remarks	Area
	R 677	NRSA63J-822X	MG RESISTOR		
	R 678	NRSA63J-822X	MG RESISTOR		
	R 679	NRSA63J-822X	MG RESISTOR		
	R 680	NRSA63J-822X	MG RESISTOR		
	R 682	NRSA63J-103X	MG RESISTOR		
	R 683	NRSA63J-0R0X	MG RESISTOR		
	R 684	NRSA63J-0R0X	MG RESISTOR		
	R 687	NRSA63J-0R0X	MG RESISTOR		
	R 688	NRSA63J-0R0X	MG RESISTOR		
	R 689	NRSA63J-0R0X	MG RESISTOR		
	R 691	NRSA63J-221X	MG RESISTOR		
	R 692	NRSA63J-221X	MG RESISTOR		
	R 693	NRSA63J-221X	MG RESISTOR		
	R 694	NRSA63J-221X	MG RESISTOR		
	R 695	NRSA63J-221X	MG RESISTOR		
	R 696	NRSA63J-221X	MG RESISTOR		
	R 697	NRSA63J-0R0X	MG RESISTOR		
	R 698	NRSA63J-0R0X	MG RESISTOR		
	R2500	NRSA63J-102X	MG RESISTOR		
	R2501	NRSA63J-104X	MG RESISTOR		
	R2502	NRSA63J-104X	MG RESISTOR		
	R2507	NRSA63J-223X	MG RESISTOR		
	R2508	NRSA63J-223X	MG RESISTOR		
	R2509	NRSA63J-223X	MG RESISTOR		
	R2510	NRSA63J-223X	MG RESISTOR		
	R2511	NRSA63J-103X	MG RESISTOR		
	R2512	NRSA63J-103X	MG RESISTOR		
	R2513	NRSA63J-103X	MG RESISTOR		
	R2514	NRSA63J-103X	MG RESISTOR		
	R2515	NRSA63J-103X	MG RESISTOR		
	R2516	NRSA63J-103X	MG RESISTOR		
	R2519	NRSA63J-331X	MG RESISTOR		
	R2520	NRSA63J-331X	MG RESISTOR		
	R2521	NRSA63J-331X	MG RESISTOR		
	R2522	NRSA63J-331X	MG RESISTOR		
	R2525	NRSA63J-102X	MG RESISTOR		
	R2526	NRSA63J-102X	MG RESISTOR		
	R2527	NRSA63J-104X	MG RESISTOR		
	R2528	NRSA63J-104X	MG RESISTOR		
	R2529	NRSA63J-103X	MG RESISTOR		
	R2530	NRSA63J-103X	MG RESISTOR		
	R2531	NRSA63J-752X	MG RESISTOR		
	R2532	NRSA63J-752X	MG RESISTOR		
	R2533	NRSA63J-103X	MG RESISTOR		
	R2534	NRSA63J-103X	MG RESISTOR		
	R2535	NRSA63J-103X	MG RESISTOR		
	R2536	NRSA63J-103X	MG RESISTOR		
	R2537	NRSA63J-104X	MG RESISTOR		
	R2538	NRSA63J-104X	MG RESISTOR		
	R2550	NRSA63J-272X	MG RESISTOR		
	R2551	NRSA63J-103X	MG RESISTOR		
	R2552	NRSA63J-103X	MG RESISTOR		
	R2553	NRSA63J-153X	MG RESISTOR		
	R2554	NRSA63J-153X	MG RESISTOR		
	R2555	NRSA63J-752X	MG RESISTOR		
	R2556	NRSA63J-752X	MG RESISTOR		
	R2557	NRSA63J-103X	MG RESISTOR		
	R2558	NRSA63J-273X	MG RESISTOR		
	R2560	NRSA63J-105X	MG RESISTOR		
	R2561	NRSA63J-104X	MG RESISTOR		
	R2562	NRSA63J-104X	MG RESISTOR		
	R2563	NRSA63J-103X	MG RESISTOR		
	R2564	NRSA63J-103X	MG RESISTOR		

## ■ Electrical parts list (DSP board)

Block No. 04

△	Item	Parts number	Parts name	Remarks	Area
	R2565	NRSA63J-202X	MG RESISTOR		
	R2566	NRSA63J-202X	MG RESISTOR		
	R2567	NRSA63J-103X	MG RESISTOR		
	R2568	NRSA63J-103X	MG RESISTOR		
	R2569	NRSA63J-122X	MG RESISTOR		
	R2570	NRSA63J-122X	MG RESISTOR		
	R2575	NRSA63J-102X	MG RESISTOR		
	R2576	NRSA63J-102X	MG RESISTOR		
	R2577	NRSA63J-104X	MG RESISTOR		
	R2578	NRSA63J-104X	MG RESISTOR		
	R2581	NRSA63J-104X	MG RESISTOR		
	R2582	NRSA63J-104X	MG RESISTOR		
	R2583	NRSA63J-123X	MG RESISTOR		
	R2584	NRSA63J-223X	MG RESISTOR		
	R2585	NRSA63J-302X	MG RESISTOR		
	R2586	NRSA63J-332X	MG RESISTOR		
	R2587	NRSA63J-103X	MG RESISTOR		
	R2588	NRSA63J-103X	MG RESISTOR		
	R2589	NRSA63J-104X	MG RESISTOR		
	R2590	NRSA63J-333X	MG RESISTOR		
	R2591	NRSA63J-122X	MG RESISTOR		
	R2592	NRSA63J-333X	MG RESISTOR		
	R2594	NRSA63J-333X	MG RESISTOR		
	R2595	NRSA63J-102X	MG RESISTOR		
	R2596	NRSA63J-102X	MG RESISTOR		
	R2597	NRSA63J-104X	MG RESISTOR		
	R2598	NRSA63J-104X	MG RESISTOR		
	UN661	GP1FA351RZ	OPT RECEIVER		
	X 631	QAX0722-001Z	CRYSTAL		
	X 671	QAX0719-001Z	1COSCILLATOR		



## ■ Electrical parts list (Tuner board)

Block No. 05

△	Item	Parts number	Parts name	Remarks	Area
	AT101	QNB0014-001	ANT TERMINAL		
	BK 1	LV31618-001A	SHIELD BKT		
	C 101	NCB21HK-103X	C CAPACITOR		
	C 103	NCB21HK-223X	C CAPACITOR		
	C 105	NCB21HK-223X	C CAPACITOR		
	C 107	QEK1CM-226Z	E CAPACITOR	22MF 20% 16V	
	C 111	NCB21HK-473X	C CAPACITOR		
	C 112	NDC21HJ-120X	C CAPACITOR		
	C 113	QCSB1HJ-120Y	C CAPACITOR	12PF 5% 50V	
	C 121	NDC21HJ-120X	C CAPACITOR		
	C 122	NDC21HJ-120X	C CAPACITOR		
	C 123	NCB21HK-473X	C CAPACITOR		
	C 126	NCS21HJ-101X	C CAPACITOR		
	C 128	QENC1HM-474Z	NP E CAPACITOR	.47MF 20% 50V	
	C 129	NCB21HK-102X	C CAPACITOR		
	C 130	QEK1AM-107Z	E CAPACITOR	100MF 20% 10V	
	C 133	QEK1CM-226Z	E CAPACITOR	22MF 20% 16V	
	C 134	NCB21HK-222X	C CAPACITOR		
	C 135	NCB21HK-223X	C CAPACITOR		
	C 136	QEK1HM-105Z	E CAPACITOR	1.0MF 20% 50V	
	C 137	NCS21HJ-680X	C CAPACITOR		
	C 139	NCB21HK-473X	C CAPACITOR		
	C 140	NCB21HK-473X	C CAPACITOR		
	C 141	NCB21HK-473X	C CAPACITOR		
	C 143	NCB21HK-223X	C CAPACITOR		
	C 144	NCB21HK-473X	C CAPACITOR		
	C 146	QEK1HM-105Z	E CAPACITOR	1.0MF 20% 50V	
	C 147	QEK1HM-105Z	E CAPACITOR	1.0MF 20% 50V	
	C 148	QEK1HM-224Z	E CAPACITOR	.22MF 20% 50V	
	C 149	QEK1HM-105Z	E CAPACITOR	1.0MF 20% 50V	
	C 150	QEK1CM-226Z	E CAPACITOR	22MF 20% 16V	
	C 156	QDGB1HK-102Y	C CAPACITOR		
	C 157	NCB21HK-473X	C CAPACITOR		
	C 158	QEK1CM-226Z	E CAPACITOR	22MF 20% 16V	
	C 161	QEK1CM-106Z	E CAPACITOR	10MF 20% 16V	
	C 162	QEK1CM-106Z	E CAPACITOR	10MF 20% 16V	
	C 163	NCB21HK-223X	C CAPACITOR		
	C 164	NCB21HK-473X	C CAPACITOR		
	C 168	QEK1HM-105Z	E CAPACITOR	1.0MF 20% 50V	
	C 184	QEK1CM-107Z	E CAPACITOR	100MF 20% 16V	
	C 185	QEK1CM-106Z	E CAPACITOR	10MF 20% 16V	
	C 186	QEK1CM-106Z	E CAPACITOR	10MF 20% 16V	
	C 191	NCS21HJ-820X	C CAPACITOR		
	C 192	NCS21HJ-470X	C CAPACITOR		
	C 193	NCB21HK-561X	C CAPACITOR		
	C 194	NCB21HK-104X	C CAPACITOR		
	C 195	NCB21HK-331X	C.CAPA. C.M		
	C 196	QEK1HM-225Z	E CAPACITOR	2.2MF 20% 50V	
	C 197	NCB21HK-473X	C CAPACITOR		
	C 199	QEK1CM-106Z	E CAPACITOR	10MF 20% 16V	
	CF101	QAX0704-001Z	C.FILTER		
	CF102	QAX0704-001Z	C.FILTER		
	CF103	QAX0519-001Z	C FILTER		
	CN111	QGB2501K2-12	CONNECTOR		
	CN112	QGB2501K1-04	CONNECTOR		
	D 121	1SS133-T2	SI DIODE IM		
	D 123	1SS133-T2	SI DIODE IM		
	D 129	1SS133-T2	SI DIODE IM		
	D 131	1SS133-T2	SI DIODE IM		
	IC102	LA1838	IC		
	IC121	LC72136N	IC		
	IC191	SAA6588	IC(RDS)		
	L 112	QQL231K-2R7Y	INDUCTOR		

△	Item	Parts number	Parts name	Remarks	Area
	Q 102	2SC535/BC-T	TRANSISTOR		
	Q 103	2SC461/BC-T	TRANSISTOR		
	Q 111	KTC3199/GL-T	TRANSISTOR		
	Q 112	KTC3199/GL-T	TRANSISTOR		
	Q 113	DTA114YKA-X	TRANSISTOR		
	Q 121	KRA103M-T	TRANSISTOR		
	R 103	NRSA02J-101X	MG RESISTOR		
	R 104	NRSA02J-272X	MG RESISTOR		
	R 105	NRSA02J-391X	MG RESISTOR		
	R 106	NRSA02J-102X	MG RESISTOR		
	R 107	NRSA02J-561X	MG RESISTOR		
	R 108	NRSA02J-332X	MG RESISTOR		
	R 109	NRSA02J-221X	MG RESISTOR		
	R 111	NRSA02J-182X	MG RESISTOR		
	R 112	QRE141J-182Y	C RESISTOR	1.8K 5% 1/4W	
	R 114	NRSA02J-272X	MG RESISTOR		
	R 115	NRSA02J-104X	MG RESISTOR		
	R 119	NRSA02J-103X	MG RESISTOR		
	R 122	NRSA02J-472X	MG RESISTOR		
	R 124	NRSA02J-222X	MG RESISTOR		
	R 126	NRSA02J-562X	MG RESISTOR		
	R 127	NRSA02J-822X	MG RESISTOR		
	R 128	NRSA02J-472X	MG RESISTOR		
	R 129	NRSA02J-222X	MG RESISTOR		
	R 130	QRZ9005-680X	F RESISTOR	68 1/4W	
	R 132	NRSA02J-393X	MG RESISTOR		
	R 133	NRSA02J-392X	MG RESISTOR		
	R 134	NRSA02J-102X	MG RESISTOR		
	R 140	NRSA02J-563X	MG RESISTOR		
	R 141	NRSA02J-102X	MG RESISTOR		
	R 142	NRSA02J-470X	MG RESISTOR		
	R 143	NRSA02J-562X	MG RESISTOR		
	R 144	NRSA02J-332X	MG RESISTOR		
	R 145	NRSA02J-103X	MG RESISTOR		
	R 146	NRSA02J-472X	MG RESISTOR		
	R 147	NRSA02J-332X	MG RESISTOR		
	R 150	NRSA02J-331X	MG RESISTOR		
	R 157	NRSA02J-272X	MG RESISTOR		
	R 158	NRSA02J-272X	MG RESISTOR		
	R 161	NRSA02J-102X	MG RESISTOR		
	R 162	NRSA02J-102X	MG RESISTOR		
	R 182	NRSA02J-103X	MG RESISTOR		
	R 183	NRSA02J-103X	MG RESISTOR		
	R 184	NRSA02J-103X	MG RESISTOR		
	R 191	NRSA02J-102X	MG RESISTOR		
	R 192	NRSA02J-474X	MG RESISTOR		
	R 193	NRSA02J-103X	MG RESISTOR		
	R 194	NRSA02J-103X	MG RESISTOR		
	RF101	QAU0119-001	FRONT END	FOR FTZ	
	T 111	QQR0871-001	COIL BLOCK		
	T 142	QQR0973-001	IFT		
	X 121	QAX0402-001	CRYSTAL		
	X 191	QAX0263-001Z	CRYSTAL		

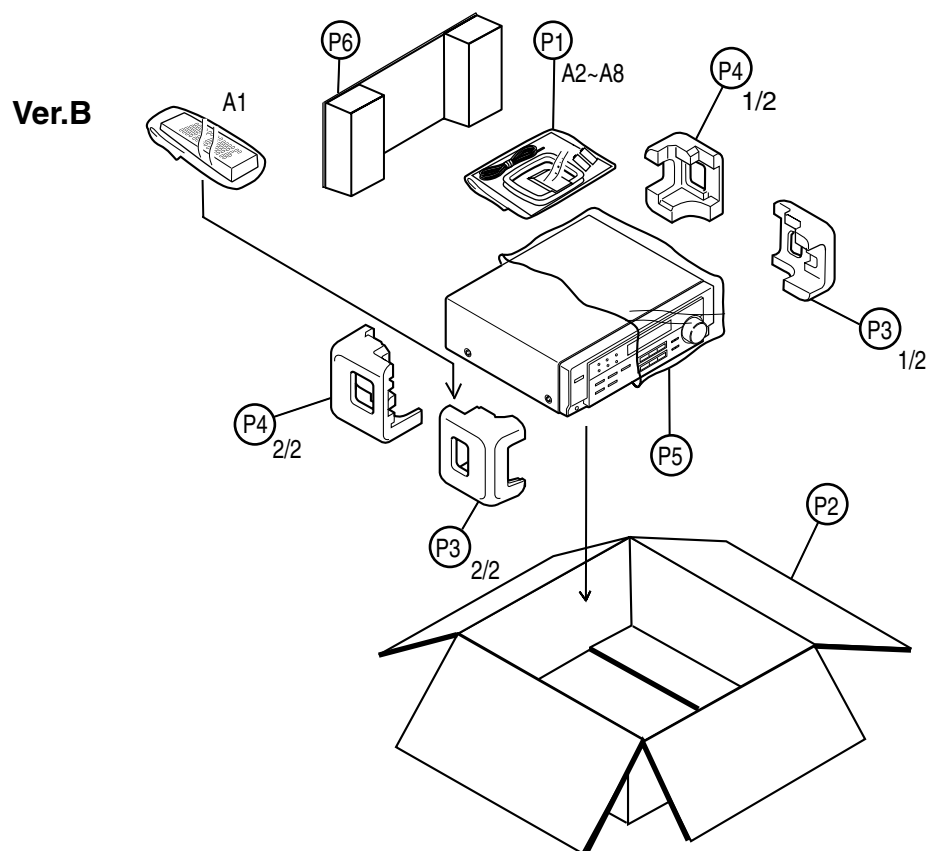
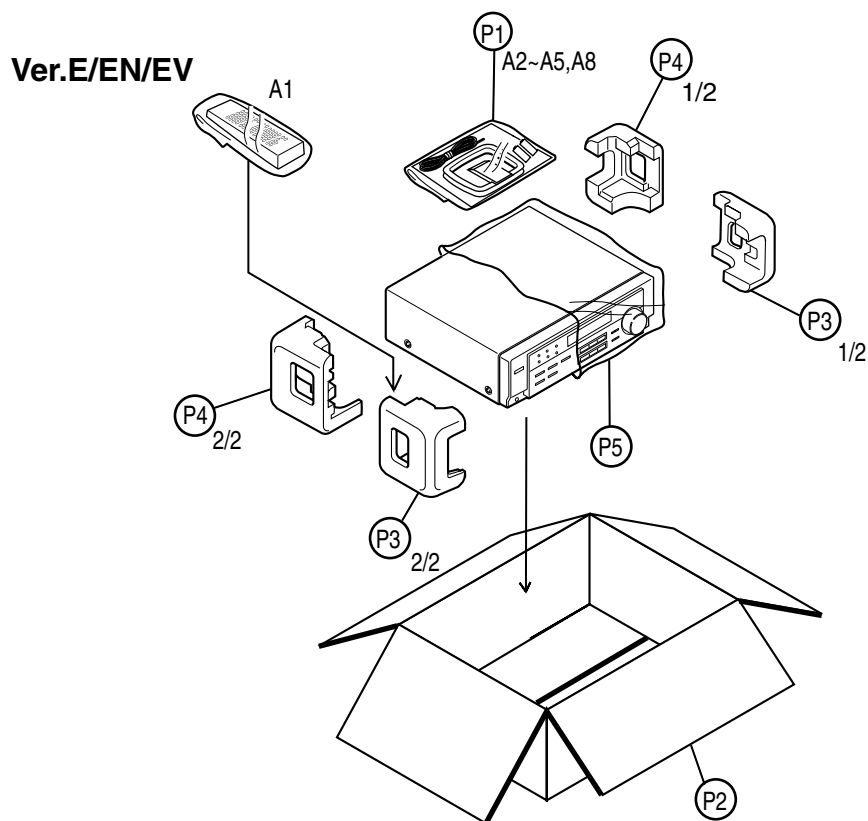
# Packing materials and accessories parts list

Block No. 

M	3	M	M
---	---	---	---

Block No. 

M	5	M	M
---	---	---	---



## ■ Parts list (Packing)

Block No. M3MM

△	Item	Parts number	Parts name	Q'ty	Description	Area
	P 1	QPA02503505P	POLY BAG	1		
	P 2	LV20983-032A	CARTON BOX	1	RX-5020RBK	
		LV20983-033A	CARTON BOX	1	RX-5022RSL	E,EN
		LV20983-034A	PACKING CASE	1	RX-5022RSL	B
		LV20983-035A	CARTON BOX	1	RX-5022RSL	EV
	P 3	LV20925-001A	PACKING PAD	1		
	P 4	LV20926-001A	PACKING PAD	1		
	P 5	QPC06507015P	POLY BAG	1		
	P 6	LV30385-004A	SHEET	1	RX-5022RSL	B

## ■ Parts list (Accessories)

Block No. M5MM

△	Item	Parts number	Parts name	Q'ty	Description	Area
	A 1	RM-SRX5020R	REMOCON	1	RX-5020RBK	
		RM-SRX5022R	REMOCON	1	RX-5022RSL	
	A 2	-----	BATTERY	2		
	A 3	LVT0850-008A	INST.BOOK(RX-5022RSL)	1	ENG	B
		LVT0850-009A	INST.BOOK(RX-5020RBK)	1	GER,FRE,DUT	E
		LVT0850-009A	INST.BOOK(RX-5022RSL)	1	GER,FRE,DUT	E
		LVT0850-010A	INST.BOOK(RX-5022RSL)	1	SWE,FIN,DAN,GER,	EN
		LVT0850-010A	INST.BOOK(RX-5022RSL)	1	FRE,SPA,ITA	EN
		LVT0850-011A	INST.BOOK(RX-5022RSL)	1	CZE,POR,HUN,RUS	EV
	A 4	EWP503-001C	ANT.WIRE	1		
	A 5	QAL0204-001	AM LOOP ANT	1		
	A 6	E43486-340B	SAFETY INST	1		B
	A 7	VNA3000-204	REGIST.CARD	1		B
	A 8	BT-54013-2	W.CARD	1		