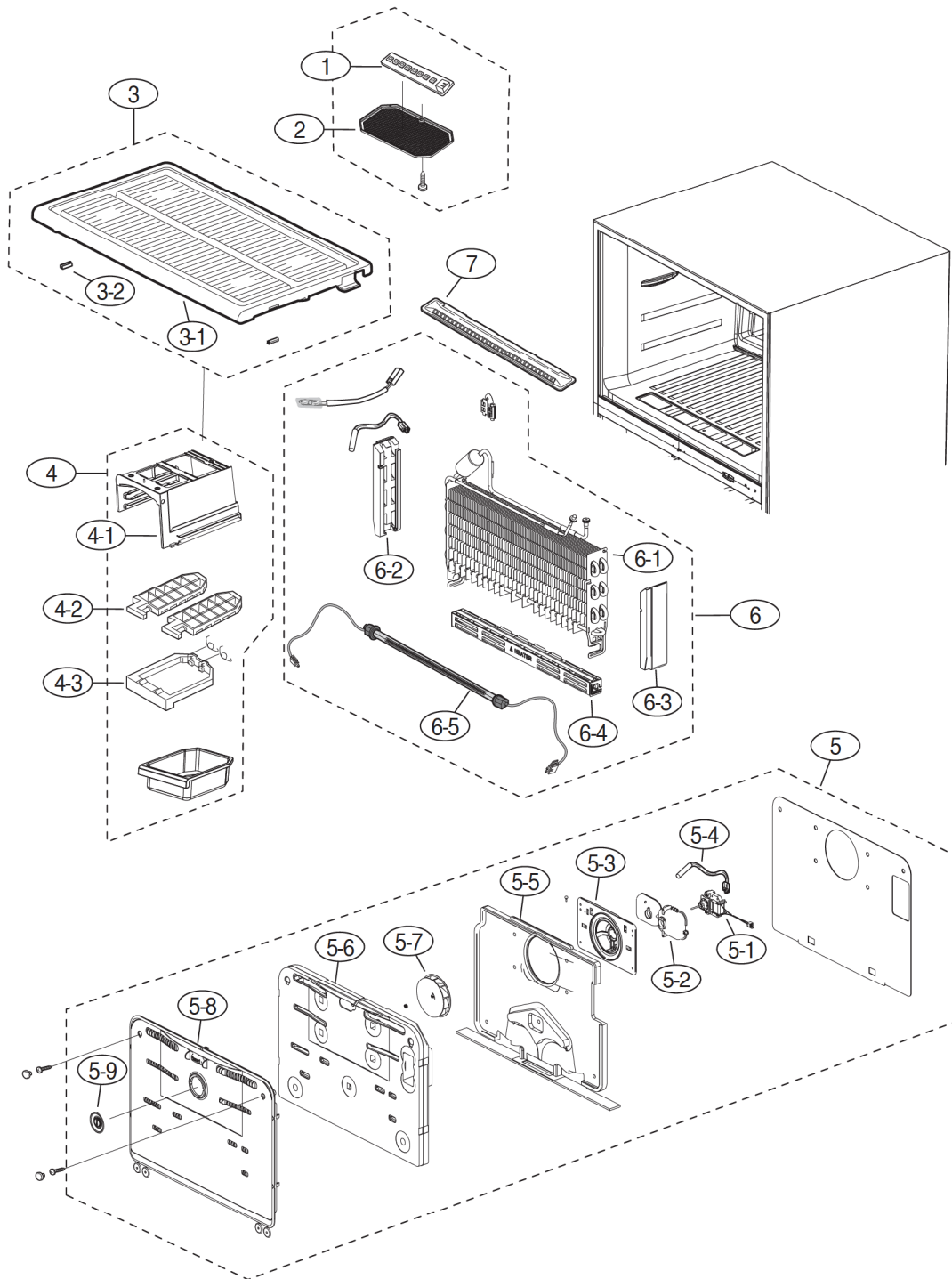
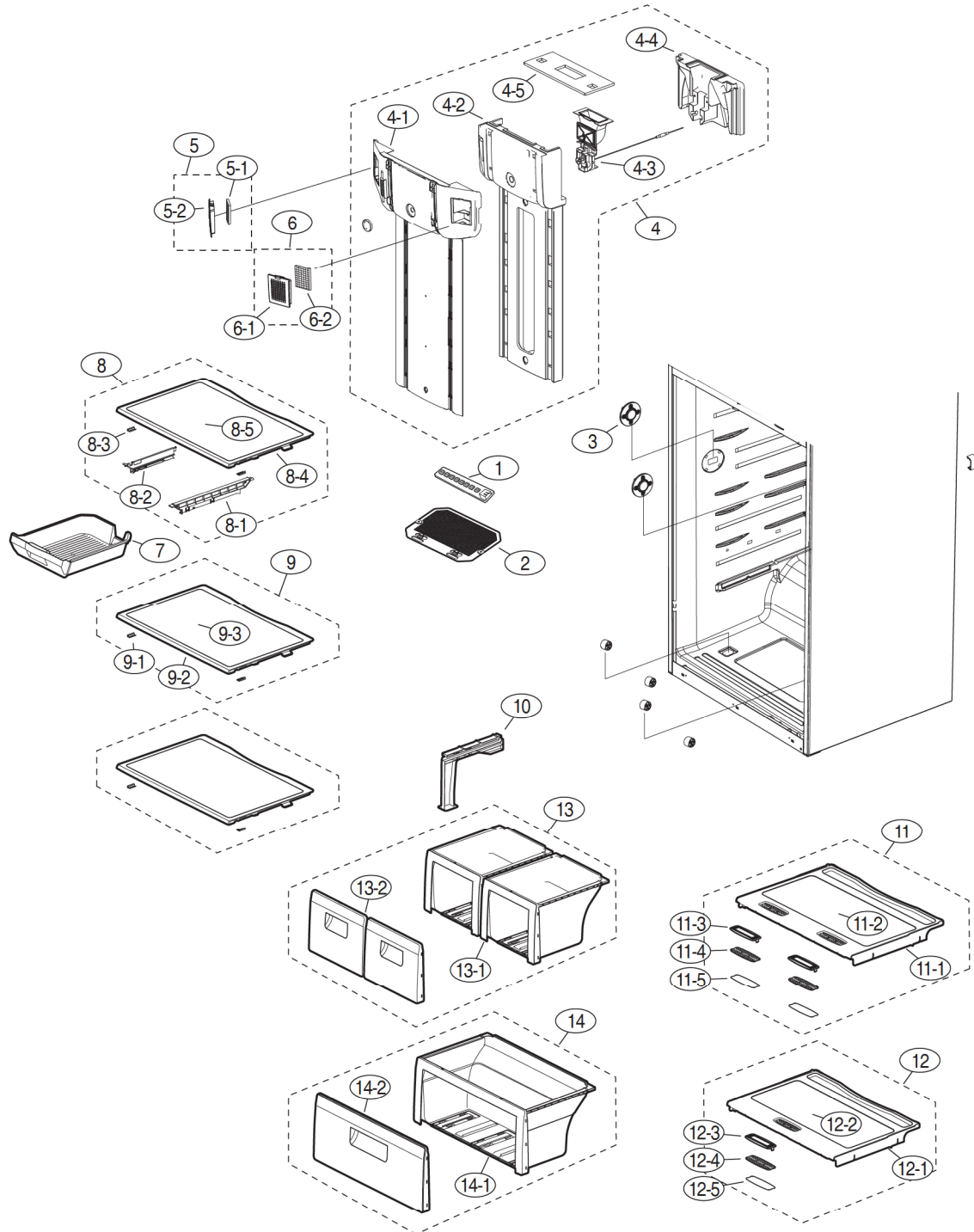


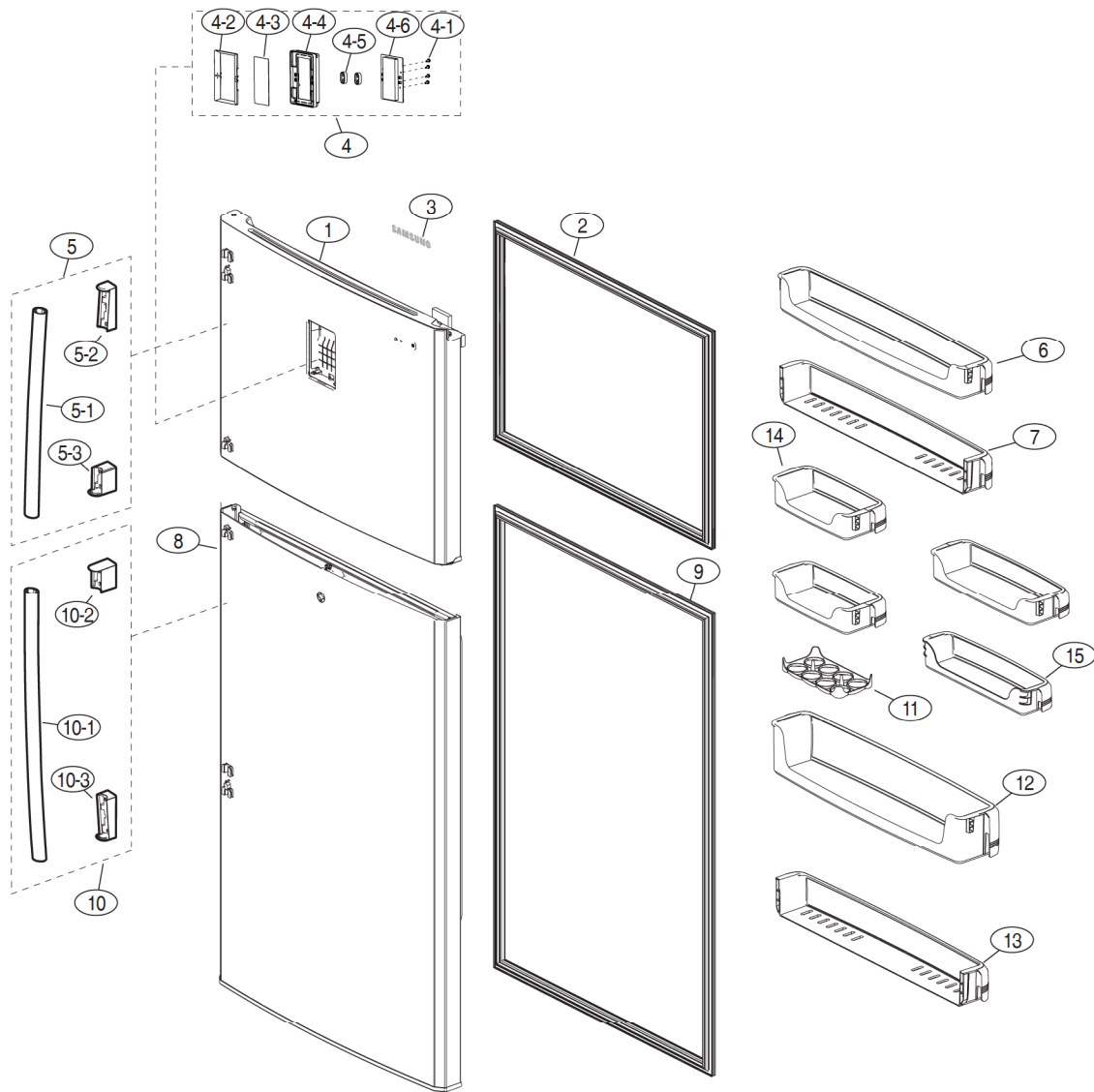
Freezing (Electronical Type) compartment



**Fridge (Electronical Type) compartment**



Door (Electronical Type without dispenser) compartment



**Cabinet compartment**

