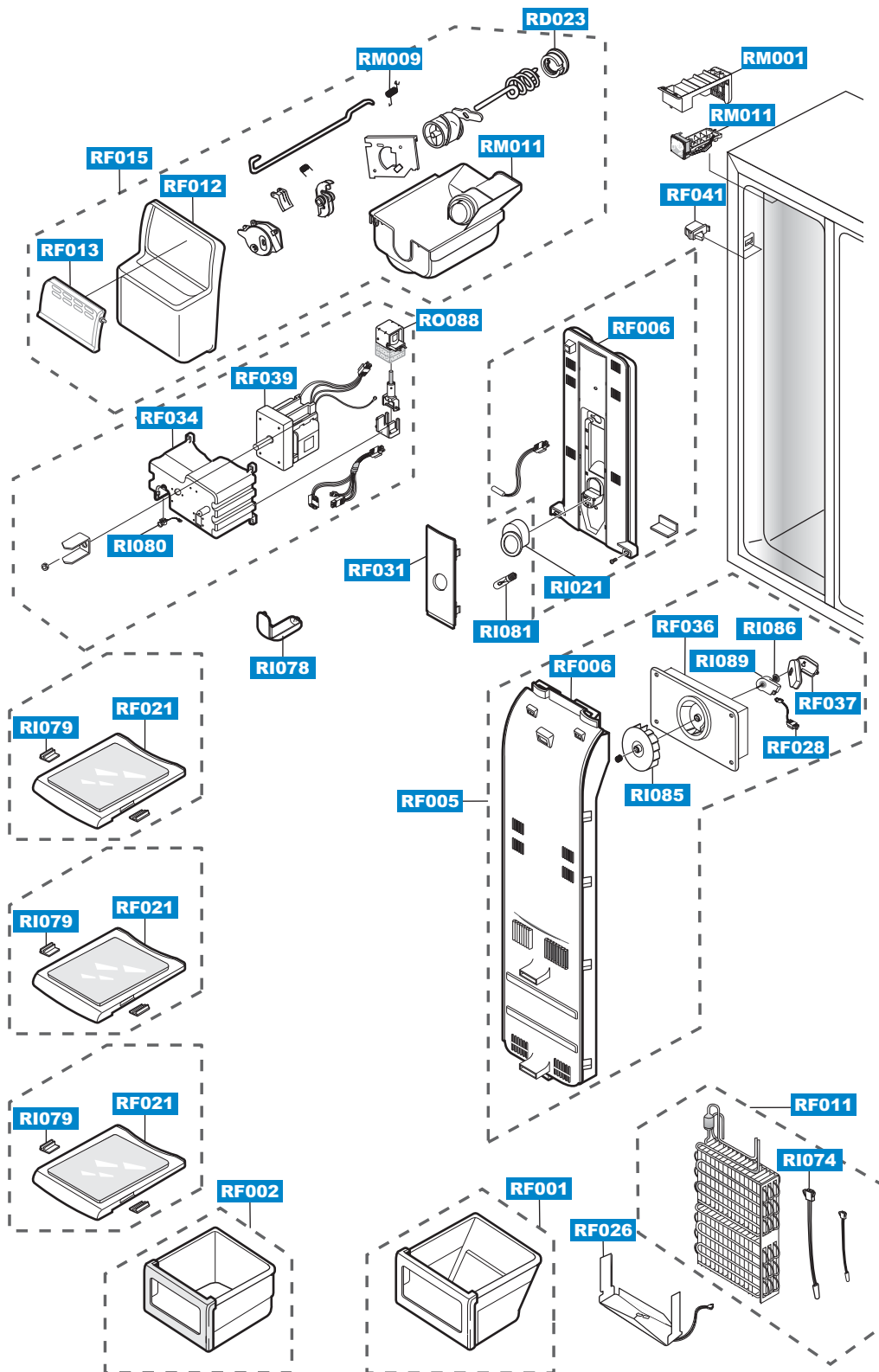
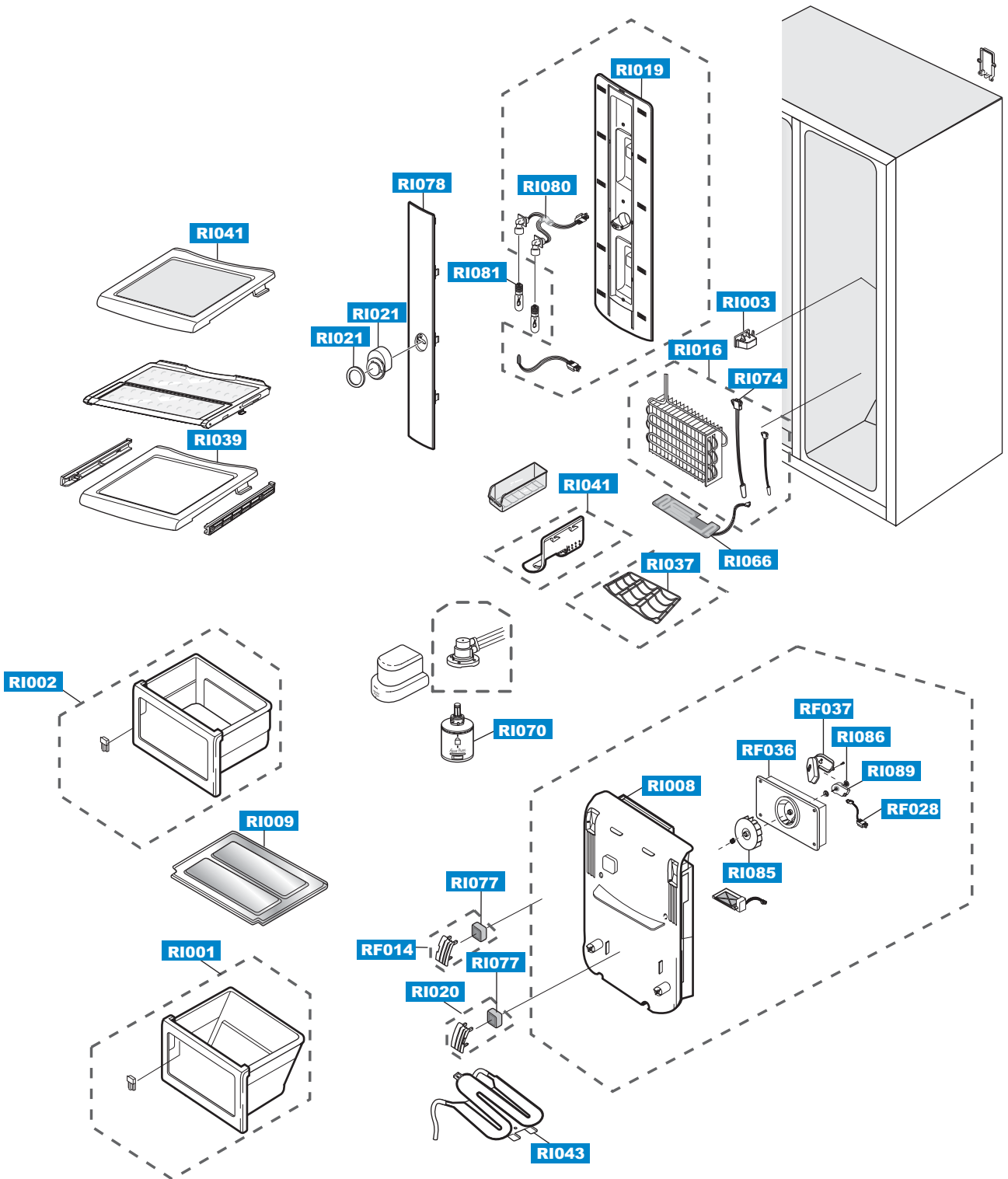


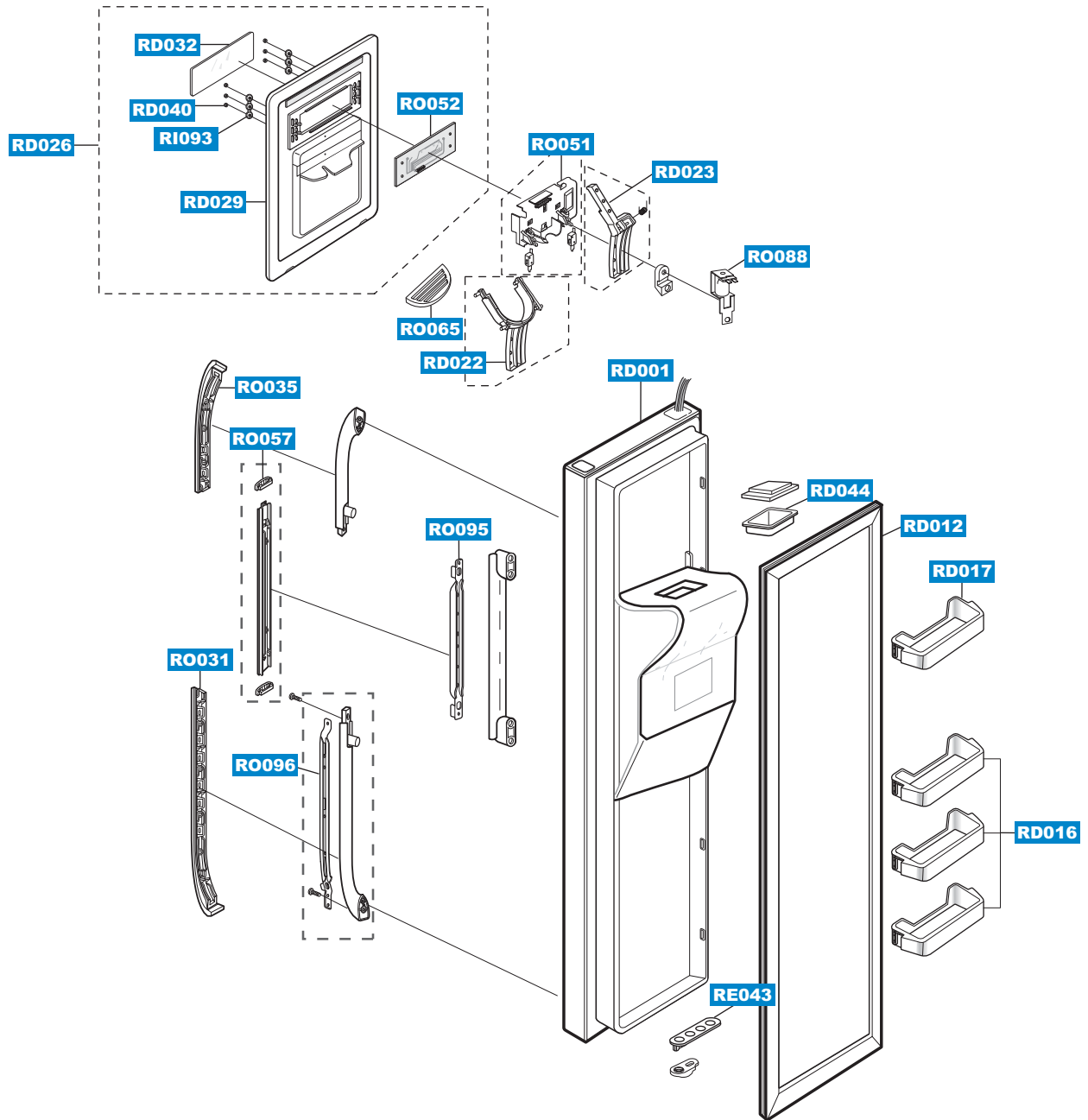
New ET-PJT D Freezer Room



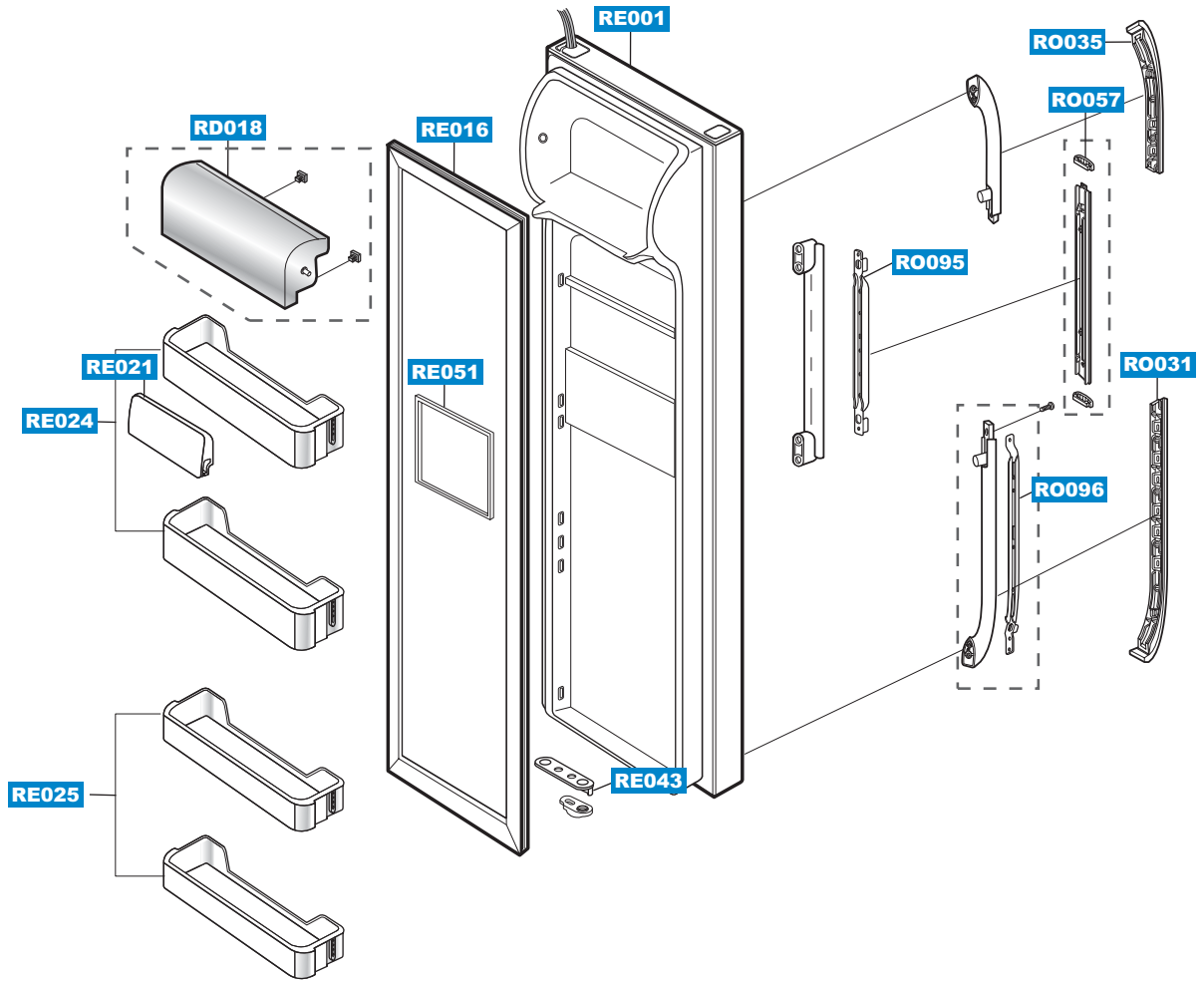
New ET-PJT D Refrigerator Room



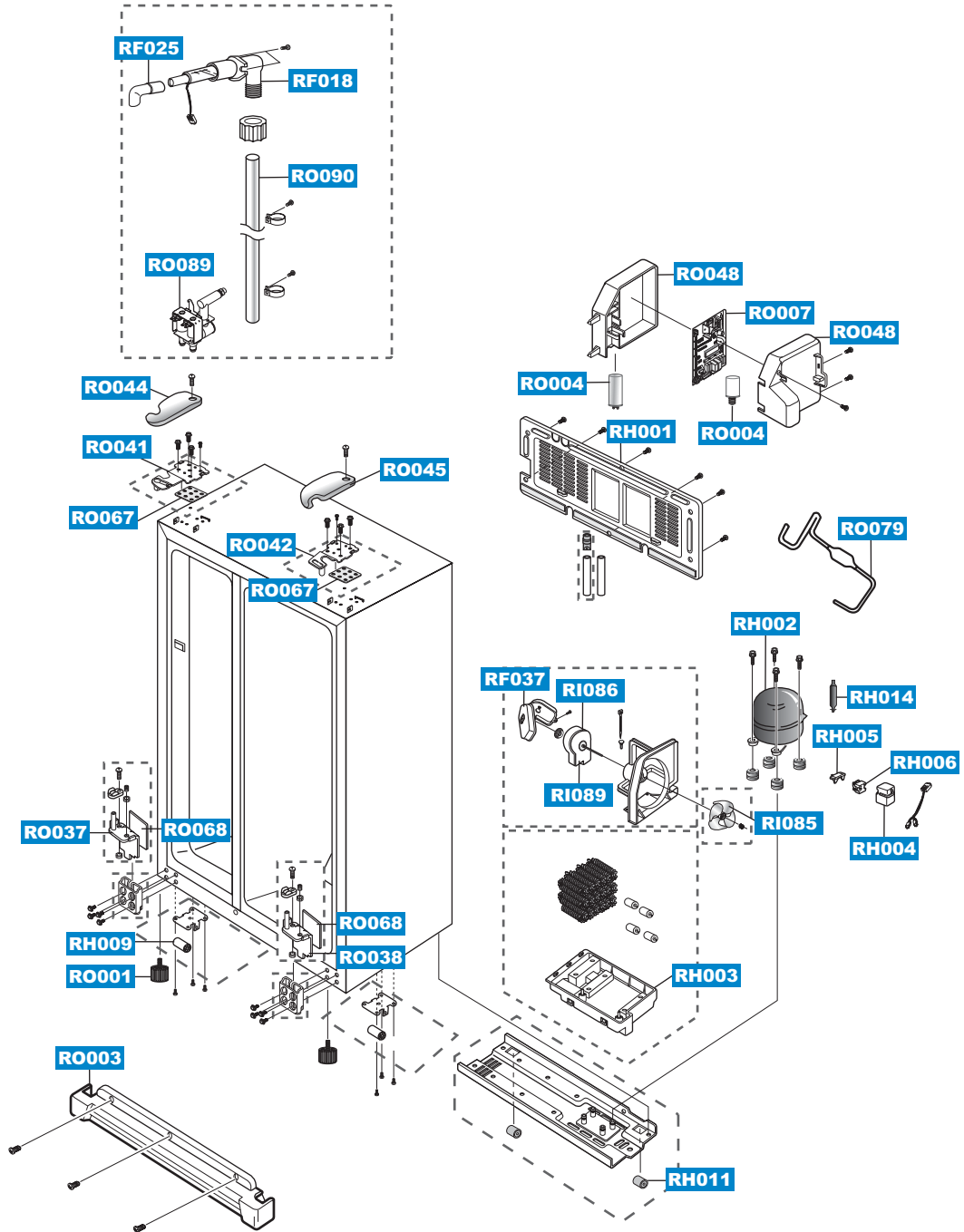
New ET-PJT D Freezer Room Door



New ET-PJT D Refrigerator Room Door



New ET-PJT D Unit



◇ Parts List

(Model Code : RS55XDPSW1/XEF)

Location	Part Name	Part Code	Specification	SA/SNA
RD001	DA91-01741E	ASSY DOOR FOAM FRE	ET-PJT(RS21),S/WHITE,	SA
RD012	DA97-01800A	ASSY-GASKET DOOR FRE	ET-PJT,W332,H1573,-	SA
RD016	DA63-01864H	GUARD FRE-LOW(50)	ET 04,No-silk,Cool-whi	SA
RD017	DA63-01863J	GUARD FRE-UP	ET50MM,HIPP,-,-,-,COOL-WHIT	SA
RD018	DA63-00199B	COVER-GUARD	ET-PJT,GPPS,-,-,-,NTR,50MM	SA
RD022	DA66-00236A	LEVER-DISP ICE	A-TOP LOOK,ABS,S/WHITE,SC	SA
RD022	DA97-01350A	ASSY LEVER-DISP,ICE	ET-PJT 03,SNOW-WHITE	SA
RD023	DA66-00237A	LEVER-DISP WATER	A-TOP LOOK,ABS,S/WHITE,	SA
RD023	DA66-30138A	LEVER-DISPENSER	POM,W9236E,-,-,-,DELIN5	SA
RD023	DA97-01352A	ASSY LEVER-DISP,WATER	ET-PJT 03,SNOW-WHI	SA
RD029	DA63-02190A	COVER-CONTROL DISP	ET-PJT 04,ABS,-,-,-,-	SA
RD032	DA63-01608A	COVER DISPENSER	ET-PJT,ABS,-,SC-97527,-,	SA
RD044	DA67-00940B	CAP-CHUTE ICE	ET-PJT(RS21),ABS,-,-,-,SC-	SA
RD067	DA97-01346A	ASSY COVER-PCB,PANEL REAR	ET-PJT 03,SNOW	SA
RD068	DA97-00283C	ASSY COVER-ICE ROUTE	ET-PJT,New-gasket,-	SA
RE001	DA91-01745F	ASSY DOOR FOAM REF	ET-PJT(RS21),S/WHITE,	SA
RE016	DA97-01800B	ASSY-GASKET DOOR REF	ET-PJT,W478,H1573,-	SA
RE021	DA71-00090A	GUIDE-BOTTLE REF	ET-PJT,PP,T2.5,-,-,-,-	SA
RE024	DA63-00635E	GUARD REF-UP(50)	ET-PJT,EXP,COOL-WHITE,S	SA
RE025	DA63-00590E	GUARD REF-LOW(50)	ET-PJT,PP,EXP,Cool-whi	SA
RE037	DA64-00990A	MASCOT	-,-,AL,-,-,80MM,-,-,-	SA
RE043	DA61-00776A	STOPPER DOOR	N-PJT,SHP1,T3.0,-,-,-,-	SA
RF005	DA97-02088E	ASSY-COVER EVAP FRE	ET-PJT,EXP,BLDC,-	SA
RF006	DA63-00153E	COVER-EVAP FRE(FRONT LOW)	ET-PJT,PP,-,-,-,-	SA
RF006	DA63-00363B	COVER EVAP-FRE FRONT	ET-PJT,PP,-,-,-,-,-	SA
RF012	DA63-00180E	COVER-ICE BURKET,A	ET-PJT,PP,-,-,-,-,-,C	SA
RF013	DA63-00181C	COVER-ICE BURKET,B	ET-PJT,PP,-,-,-,-,-,C	SA
RF014	DA63-00163H	COVER-PURIFIER,L	ET-PJT,ABS,-,-,-,HG-076	SA
RF015	DA97-01957C	ASSY-CRUSHER ICE	ET-PJT,COOL-WHITE,EXP,-	SA
RF018	DA63-40262A	GROMMET-TUBE WATER	A,HDPE,-,-,-,-,-,WH	SA
RF018	DA73-00070H	PIPE-WATER	ZIPEL,LDPE,-,6.35,1700,-,-,CO	SA
RF018	DA73-00134A	PIPE-WATER FRE,ASSY(SUB)	ET-PJT,AL,-,φ1	SA
RF018	DA97-00209B	ASSY PIPE-WATER FRE	ET-PJT,240V,7W	SA
RF019	DA97-01291B	ASSY RAIL-BASKET L(ET)	ET-PJT,Cool-white	SA
RF020	DA97-01292B	ASSY RAIL-BASKET R(ET)	ET-PJT,Cool-white	SA
RF021	DA97-01962A	ASSY SHELF-FRE	ET-PJT,Cool-white	SA
RF022	DA97-01932B	ASSY SHELF-FRE LOW(ET)	ET-PJT,Cool-white	SA
RF025	DA47-00092B	HEATER DRAIN-FRE	-,-,ET-PJT,-,-,-,230V,41W	SA
RF025	DA63-01701A	GROMMET-TUBE WATER,FILL IN	ET-PJT,SILICO	SA
RF026	DA70-00231A	PLATE-DRAIN,REF	SBHG1,T0.6,-,-,ET-PJT,-,-,-	SA
RF026	DA97-00339B	ASSY-PLATE DRAIN,FRE	ET-PJT,230V,41W,-	SA
RF028	DA39-00060B	WIRE HARNESS-MOTOR	-,-,-,-,-,-,F-FAN,-,-	SA
RF031	DA63-00364A	COVER LAMP-FRE,A	ET-PJT,PP,-,-,-,-,-,FUL	SA
RF034	DA67-00144D	CASE-AUGER MOTOR	ET-PJT,ABS SCRAP,-,-,-,-	SA
RF034	DA97-01958B	ASSY CASE-AUGER MOTOR	ET-PJT,-,-,-,SC-0274	SA
RF035	DA63-10016A	COVER-CRUSHER DISP	-,-,PC-ABS,-,-,-,-,-,-	SA
RF036	DA61-00417A	CASE MOTOR	A-TOP,ABS SCRAP,-,-,-,WHT,SBS	SA
RF037	DA63-00713A	COVER-MOTOR	OMEGA,PP,-,-,-,-,-,BLDC	SA
RF041	DA34-10120D	SWITCH DOOR-F	-,-,slide,-,-,-,250V,-,0.5A,-,-	SA
RF042	DA60-30104A	NUT-WATER LINE A	-,-,-,-,NY-6,SR-S7180,-	SA
RF043	DA60-30105A	NUT-WATER LINE B	-,-,-,-,NY-6,SR-S7180,-	SA
RF044	DA60-90137A	PIN-SPRING A	STS304,-,L22,SR-S7180,-,-	SA
RF045	DA60-90137B	PIN-SPRING B	STS304,-,L16,SR-S7180,-,-	SA
RF054	DA97-00101L	ASSY COVER-MULTI FRE(ET)	ET-PJT,Dispense	SA
RF076	DA60-90125A	RING	SK-5H,-,-,-,SR-S7180,-	SA

◇ Parts List

(Model Code : RS55XDPSW1/XEF)

Location	Part Name	Part Code	Specification	SA/SNA
RF083	DA63-01809A	COVER MOTOR-BLDC	BLDC-NEW,PP,NTR,-,-,-,-	SA
RH001	DA63-00278E	COVER COMP-ASSY	A-TOP,SBHG1,T0.35,-,-,-,-	SA
RH002	MK4A5QR1U/E09	COMPRESSOR	15.31cc,220/240V~50Hz,RSCR	SA
RH003	DA66-00034A	TRAY-DRAIN WATER	-,-,-,-,-,T2.0,-	SA
RH003	DA97-01285C	ASSY TRAY-DRAIN,WATER(SPIRAL)	A-TOP,SPIR	SA
RH004	DA63-01866A	COVER RELAY	SBS,NORYL,-,-,-,-,-,-	SA
RH005	DA34-10003V	RELAY PROTECTOR O/L	4TM265RHBYY-53,	SA
RH006	DA35-10013B	RELAY-PTC	J531Q35E330M385-2,385V.6A	SA
RH009	DA61-40115A	CASTER-FRONT	SR-62EA,NY-66,-,-,-,-,ID6 O	SA
RH011	DA61-40126B	CASTER-REAR	REF-ALL,PP,-,-,PI 44,NTR,W22,-	SA
RH012	DA60-90124A	RIVET	-,-,ZPC3,OD6.0,-,-,L56,-,-,-	SA
RH014	DA73-30102B	DRYER-ASSY	-,-,CU,OD18.85,ID2,L102,10.0G,-	SA
RH019	DA60-90146A	PIN-CASTER	MSWR10,OD6.0,L40,ZPC2,SR-289-	SA
RH020	DA61-01797A	FIXER GROMMET-DOOR	T3-PJT,ABS,-,-,SC-02740	SA
RH022	DA63-40128A	GROMMET-SUB COND	-,-,NBR,-,-,-,-,-,DARK-	SA
RH026	DA73-10190U	PIPE-CONNECT DISC,B	TD-PJT,C1220-T,-,6.3	SA
RI001	DA97-00422C	ASSY CASE-VEG LOW	ET-PJT,Cool-white,EXP,	SA
RI002	DA97-00423C	ASSY CASE-VEG UP	ET-PJT,Cool-white,EXP,-	SA
RI003	DA34-10110E	SWITCH DOOR-R	-,-,Sliding,-,-,250V,-,0.5A,	SA
RI008	DA63-00159E	COVER-EVAP REF(ET)	ET-PJT,PP,-,-,-,SC-02	SA
RI008	DA97-00092S	ASSY COVER EVAP-REF	ET-PJT,EXP,BLDC,-,-,-	SA
RI009	DA63-10942C	COVER-VEG LOW(ET)	ET-PJT,HIPS,Cool-white	SA
RI018	DA66-00038D	TRAY-CHILLED ROOM	'05E/T-2nd,SAN,T2.5,-,	SA
RI019	DA97-00102K	ASSY COVER-MULTI REF(ET)	ET-PJT,EXP,Cool	SA
RI020	DA63-00164H	COVER-PURIFIER,R	ET-PJT,ABS,-,-,-,-,-,CO	SA
RI021	DA63-00162B	COVER SENSOR-B	ET-PJT,ABS,-,-,-,-,-,PNC2,-	SA
RI021	DA63-11065A	COVER-SENSOR	SR-S6586/7087,PP,-,-,-,-,-,	SA
RI033	DA97-01247B	ASSY RAIL-LOW L(ET)	ET-PJT,Cool-white,SC	SA
RI034	DA97-01248B	ASSY RAIL-LOW R(ET)	ET-PJT,Cool-white,SC	SA
RI038	DA67-00900B	SHELF REF-FOLD,B	ET-PJT,ABS+GLASS,-,-,-,-,	SA
RI038	DA97-00199R	ASSY SHELF-FOLD	ET-PJT,cool-white	SA
RI039	DA67-00148D	SHELF-REF LOW(ET)	ET-PJT,HIPP,Cool-white	SA
RI041	DA67-00149B	SHELF-REF UP(ET)	ET-PJT,HIPP,Cool-white,	SA
RI042	DA67-00901B	SHELF REF-FOLD,A	ET-PJT,ABS+GLASS,-,-,-,-,	SA
RI043	DA97-00670D	ASSY TANK WATER	A-TOP,HDPE,-,-,-,-,-,-	SA
RI066	DA47-00039B	HEATER-DRAIN ASSY,REF	-,-,ET-PJT EXP,-,-,-,-	SA
RI069	DA97-01469E	ASSY-INSTALL FILTER	EXP,FILTER OUT	SA
RI070	DA29-10105C	FILTER-WATER-ASSY	ASSY,-,EXP,-	SA
RI074	DA47-10148J	THERMO FUSE-ASSY A	V2,ATOP,W2,SW-102T,25	SA
RI077	DA02-00111A	CATALYST	A-TOP(SBS),LTC,-,-,T10,W41,L41,-	SA
RI078	DA63-00157A	COVER-LAMP	-,-,PP,-,-,-,-,-,MOTOR	SA
RI078	DA63-00160A	COVER-LAMP REF	-,-,PP,-,-,-,-,-,A	SA
RI079	DA64-00090A	TRIM-SHELF	-,-,HIDP,-,-,T1.0,-,-,-	SA
RI080	DA47-00025H	LAMP HOLDER	E14,250V,1A,370,NTR,PBT 5VA,	SA
RI080	DA47-40112V	LAMP HOLDER	E14,250V,1A,-,-,PBT 5VA,UL-S	SA
RI081	4713-001132	LAMP-INCANDESCENT	240V,-,30W,BLU,-,-,T35	SA
RI085	DA31-00010D	FAN-ASS'Y	-,-,ET,ZIPEL,ASSY,-,UNIT,Ø 150	SA
RI086	DA63-01146A	GROMMET-MOTOR	A-TOP,NBR,-,-,-,-,ID6.5,OD42	SA
RI086	DA63-01808A	GROMMET-MOTOR	BLDC,NBR,BLACK,-,-,-,-,-,H	SA
RI087	DA63-40167A	GROMMET-COVER CHIL	T3.0,SILICON,-,-,-,-,-,	SA
RI088	DA63-00202A	GROMMET-RAIL	-,-,NY-6,-,-,-,-,-,-,-	SA
RI089	DA31-00020E	MOTOR DC-BLDC SENSOR	DREP3020LA,ET,0.245	SA
RI089	DA31-00020H	MOTOR DC-BLDC SENSOR	DRCP3030LA,-,0.259A	SA
RI093	DA61-01819A	SUPPORT-KNOB TUCH,DISP	ET-PJT,SILICON,NT	SA
RI098	DA32-00006B	SENSOR ASSY-REF	PX-41C,A TOP,-10C~35C,5V	SA

◇ Parts List

(Model Code : RS55XDPSW1/XEF)

Location	Part Name	Part Code	Specification	SA/SNA
RI133	DA96-00042A	ASSY-HARNESS MOTOR	A-TOP UL(MOTOR),C-FAN	SA
RI150	DA31-00053A	FAN-BACKWARD	-,A-TOP,ABS,-,FRE	SA
RI152	DA63-00178B	COVER-SENSOR,A	'05E/T-2nd,SAN,T1.5,-,-,-	SA
RI171	DA97-00425D	ASSY-CASE BASKET UPP	'05E/T-2nd,-,-,-	SA
RM001	DA59-30103J	ICE MAKER	ZIPEL DOM ET-PJT,DC12 V,-,-,HO	SA
RM009	DA61-20139A	SPRING ETC-ICE MAKER	SR-S7180,STS304,PI5	SA
RM010	DA61-70253B	SUPPORT-ICE MAKER	SR-S6580/7080/7580,HIP	SA
RM011	DA67-40334A	TRAY-ICE	SR-S6586/S7087,PP,T1.0,-,-,-,-	SA
RM012	DA66-00033B	TRAY ICE-BUCKET(ET)	ET-PJT,HIPP,-,-,-,-	SA
RM016	DA60-90136A	PIN-SPIRAL	STS304,OD5.2,L40,SR-S7180,-,-	SA
RM017	DA61-00453A	FIXER-SENSOR	A-TOP,EVAP,PP,-,NTR,ALL	SA
RM017	DA61-00603A	FIXER-SENSOR	N-PJT,PP,-,-,-	SA
RM017	DA71-20285A	FIXER-SENSOR	SR-S6586/7087,URETHAN,	SA
RM021	DA64-01264B	TRIM-BLADE	'05E/T,PVC,이종압출,-,-,-,-	SA
RO001	DA61-30102A	FOOT-FRONT	SR-F5670,PP,-,YEL,T0.6,-,ZPC2	SA
RO002	DA97-00555D	ASSY CHASSIS-COMP	A-TOP,ET,-,-,-,-,-	SA
RO003	DA63-00189B	COVER-LEG-FRONT	ET-PJT,HIPP,T2.5,-,-,-,-	SA
RO004	2501-001186	C-OIL	5UF,350V,BK,43X55MM,15	SA
RO004	DA27-00002A	COIL-NOISE FILTER	4,+50%,-30%,38*50,-,-	SA
RO005	DA39-10115E	CBF-POWER CORD	ET-PJT,-,UCP-2,-,-,-,-,-	SA
RO007	DA41-00185G	PBA MAIN	ET-PJT,-,FR-1,197*148,DISPENSE	SA
RO017	DA97-00727E	ASSY HANDLE-LONG-BAR	ET-PJT(RS21/23),AL,	SA
RO037	DA61-01607A	HINGE-LOW FRE	10.5MM,SCP1,T4.5,-,T3.0,-,	SA
RO041	DA61-01874A	HINGE-UP L(ET)	TRIM-KIT,SHP1,-,T3.0,BLAC	SA
RO041	DA97-02292B	ASSY HINGE UPP-L(ET)	ET-PJT,Trim-kit,EXP	SA
RO042	DA97-02293B	ASSY HINGE UPP-R(ET)	ET-PJT,Trim-kit,EXP	SA
RO044	DA63-02231C	COVER HINGE-UP,L	ET-PJT,ABS,SC-97527R,Sn	SA
RO045	DA63-02232C	COVER HINGE-UP,R	ET-PJT,ABS,SC-97527R,Sn	SA
RO048	DA61-00261A	CASE PCB-PANEL	A-TOP,N-ABS,-,-,-,-,-	SA
RO050	DA63-00783A	COVER PCB-PANEL	A-TOP,N-ABS,-,-,-,-,-	SA
RO051	DA63-01609A	COVER-PCB PANEL,REAR	A-TOP LOOK,PP,SNOW-	SA
RO052	DA41-00173F	PBA PANEL	ET-PJT,-,FR-4,197*70,DISPENSER	SA
RO058	DA67-00773D	CAP-HANDLE	ET-PJT,ABS,-,-,-,SC-01645S,VI	SA
RO058	DA67-00796D	CAP-HANDLE LOW	ET-PJT,ABS,-,-,-,SC-01645	SA
RO060	DA61-00264D	SUPPORT-HANDLE MID	A-TOP,ABS,-,-,-,SC-01	SA
RO065	DA66-00037G	TRAY DISPENSER	ET-PJT,HIPS,-,-,-,-,SNOW-	SA
RO074	DA61-00317D	BRACKET HINGE-LOW	ET-PJT,SHP1,T2.6,-,-,B	SA
RO075	DA97-02211B	ASSY BRACKET-HINGE LOW L	ET 50mm,-	SA
RO076	DA97-02212B	ASSY BRACKET-HINGE LOW R	ET 50mm,-	SA
RO079	DA97-00918A	ASSY PIPE CONNECT	A-TOP,SUCTION	SA
RO087	DA62-20111B	TUBE-FITTING	POM,-,-,-,-,SRS6580Z,OD8.1	SA
RO088	DA74-40151F	VALVE-SOLENOID	SR-S6586B,-,-,-,-,CUBE-SN	SA
RO088	DA74-40154C	VALVE SOLENOID	-,SCP1,75.5,MIN 80GF,-,22	SA
RO089	DA74-40149C	VALVE WATER-ASSY	-,,-,-,-,RIV-12A-4,220	SA
RO090	DA62-00159C	PIPE-WATER LINE	ZIPEL,LLDPE,ID4.30,OD6.3	SA
RO101	6501-000122	CABLE TIE	DACT-100,-,W2.5,L101.6,NTR,NYL	SA
RO101	6501-000123	CABLE TIE	DACT-140,-,W3.6,L146,NTR,NYLON	SA
RO105	DA66-00344A	CAM-HINGE RISER LOW	USP05(ATOP,ET),NY-66	SA
RO108	6001-000715	SCREW-MACHINE	TH,+,-,M5,L16,ZPC(YEL),SWR	SA
RO115	DA63-00476A	COVER-PIPE-WATER	ET-PJT,PP,-,-,-,-,WHT,-	SA
RO119	DA97-00979B	ASSY COVER-PIPE WATER	ET-PJT,PP,-,-,-,-	SA
RO128	DA61-01875A	HINGE-UP R(ET)	TRIM-KIT,SHP1,-,T3.0,BLAC	SA
RO132	DA97-01283A	ASSY SUPPORT-CIRCUIT MOTOR	A-TOP,ET(DOM)	SA
RO139	DA31-00016A	FAN-CIRCUIT	-,ET-PJT,-,-,-,12,φ95,φ63.	SA
RO141	DA61-01957A	CLIP-DRYER	AD,SECC1,T0.6,-,-	SA

◇ Parts List

(Model Code : RS55XDPSW1/XEF)

Location	Part Name	Part Code	Specification	SA/SNA
RO146	DA97-01760A	ASSY HINGE LOW L	A-TOP,DISPESNER,10.5 Ga	SA
RO147	DA97-01763A	ASSY HINGE LOW R	A-TOP,BASIC,10.5 Gasket	SA
RQ565	DA63-02017A	GROMMET-COMP	QUEEN,EPDM,-,-,-,-,-,-	SA
RQ747	6009-001252	SCREW-SPECIAL	PH,+,-,M4.0,L20(12),ZPC(YE	SA
RQ747	DA60-00001A	SCREW-SPECIAL	HEX,-,-,-,L8.3,-,STS-304,-	SA
RS016	DA60-10107A	SCREW MACHINE	-,BSBN,M4,L10,-,+,-,-,-,EA	SA
RS036	DA60-00001B	SCREW-SPECIAL	SR-S6580/7080,STS-304,-,L8	SA
RS045	DA60-10124A	SCREW-TAPPING	HH,-,-,-,M6,L16,ZPC2-Y,-,-	SA
RS047	6002-000213	SCREW-TAPPING	TH,+,-,1,M4,L12,ZPC(YEL),S	SA
RS059	6002-001122	SCREW-TAPPING	FH,+,-,1,M4,L14,ZPC(WHT),SWR	SA
RS065	6002-001197	SCREW-TAPPING	TH,+,-,1,M4,L16,SNC2(SIL),MS	SA
RS069	6002-001335	SCREW-TAPPING	BH,+,-,1,M4,L12,DAC(WHT),SWR	SA
RS080	6002-000216	SCREW-TAPPING	TH,+,-,1,M4.0,L20,ZPC(YEL)	SA
RS080	6002-000468	SCREW-TAPPING	PH,+,-,-,2S,M5.0,L18,ZPC(YEL	SA
RS080	6002-000470	SCREW-TAPPING	TH,+,-,1,M4,L10,ZPC,SCRCH1	SA
RS080	6002-000473	SCREW-TAPPING	TH,+,-,1,M4,L14,-,STS304	SA
RS080	6002-000630	SCREW-TAPPING	PH,+,-,-,2S,M3,L8,ZPC(YEL),S	SA
RS080	6002-001341	SCREW-TAPPING	BH,+,-,1,M4,L16,DAC(WHT),S	SA
RS080	6003-001144	SCREW-TAPTITE	BH,+,-,B,M4,L12,ZPC(WHT),S	SA
RS080	6006-001108	SCREW-TAPPING	TH,+,-,PW(OD15),-,M4,L16,ZPC	SA
RS080	DA60-10004A	SCREW-TAPPING	-,SGDC90/90,-,L16,HH,+,-,-	SA
RS080	DA60-10122C	SCREW-TAPPING	-,MSWR10,M5,L16,HH,-,-,-,Z	SA
RS082	6003-001435	SCREW-TAPTITE	HWH,+,-,S,M5,L12.7,ZPC(YEL),	SA
RS131	DA32-10105H	SENSOR-ASSY	502AT,K-PJT,-10~35,5V,5KOHM,	SA
RW003	DA97-00259G	ASSY PIPE-SPIRAL CONDESNSER	A-TOP,SPIRAL	SA
RW046	DA97-00713C	ASSY-THERMO GUIDE	XEF,THERMO,COOL WHITE,	SA
RW065	DA31-20009A	BLADE-DISPENSER	PC,-,SR-S7240,OD113,-,T2	SA
RW070	DA31-20120E	BLADE-MOVING DISP,B	A-TOP,STS304,T2.0,34	SA
RW074	DA60-20008A	BOLT-HEX	SM30C,-,-,L42.6,-,-,-	SA
RW077	6011-001442	BOLT-SOCKET	M8,L15,ZPC(BLK),SCM435	SA
RW111	DA63-90008A	BUSH-SOLENOID	-,POM,-,-,-,SC-93438R,-	SA
RW211	DA65-20110B	CLAMP	-,NY-66,-,-,-,DN-5N,PI8.0	SA
RW257	DA63-01133A	COVER-CHUTE ICE	ET-PJT,PP,-,-,-,-,SNOW	SA
RW275	DA63-02212A	COVER-MULTI AIR,GUIDE(ET)	ET,HIPS,-,-,-,	SA
RW358	DA66-90003A	GEAR-SOLENOID	POM,-,-,-,-,SC-93438R	SA
RW389	DA63-00951C	GROMMET-DRAIN HOSE	V2-PJT,NBR,-,-,-,-,-,	SA
RW395	DA63-00789A	GROMMET-FIXER HANDLE	EXP,PC-ABS,-,-,-,-,	SA
RW446	DA71-70003A	GUIDE-ICE DISPENSER	-,PC/ABS,-,-,-,-,-	SA
RW447	DA61-00524A	GUIDE-ICE FULL	A-TOP,ABS,-,-,-,SC-93437R	SA
RW520	DA64-00085B	KNOB-MOISTURE CONTROL(ET)	ET-PJT,HIPS,Co	SA
RW535	DA66-30145A	LEVER-CUBE	MSWR10,-,G-PJT,EPC3,DISPENSER	SA
RW554	DA60-30108A	NUT-HEX	HEX,-,-,-,POM,-,AURGER	SA
RW555	6021-001125	NUT-HEXAGON	3,M8, P1.25,ZPC(BLK),SWRCH10	SA
RW595	DA70-20017A	PLATE-D/AUGER DISP	-,STS304,-,L127XD14.4	SA
RW606	DA61-00549A	PLATE-FAN MOTOR,ASSY	ET-PJT,HIPS,T1.0,W2	SA
RW608	DA70-20160C	PLATE-FRONT DISP	ZIPEL,STS304,T1.0,-,-,-	SA
RW654	DA73-00216A	RUBBER-COVER GUARD	ET-PJT,SILICON,-,WHIT	SA
RW661	DA65-20107A	SADDLE-SOLENOID	-,NY-6,-,SR-S7180,-	SA
RW664	6009-001255	SCREW-HEX	SWRCH18A,-,HEX-PLANGE,HEX,M6,L	SA
RW700	DA61-60001A	SLIDER-SOLENOID DISP	-,POM,-,-,-,-,-	SA
RW706	DA61-00565A	SPRING ETC-COVER ICE,ROUTE	A-TOP,STS304,	SA
RW709	DA61-20124A	SPRING ETC-DISPENSER	SR-S7180,STS304,PI0	SA
RW716	DA61-20128A	SPRING ETC-FAN	-,STS304,PI7.8,-,OD1.0,-,	SA
RW735	DA61-20140A	SPRING ETC-SOLENOID	SR-S7180,STS304,PI7.	SA
RW736	DA61-00338A	SPRING ETC-WATER LEVER DISP	A-TOP,STS304	SA

◇ Parts List

(Model Code : RS55XDPSW1/XEF)

Location	Part Name	Part Code	Specification	SA/SNA
RW747	DA61-00415A	SUPPORT-CIRCUITE MOTOR	A-TOP,ABS SCRAP,-	SA
RW776	DA61-70234A	SUPPORT-TIME DELAY	SR-S7180,HIPS,-,-,-	SA
RW782	DA34-00011A	SWITCH-MICRO	VP533A-OF-5,MICRO,250V,15A,	SA
RW829	DA67-40250E	TRAY-UTILITY	SR-S7185.7335,GPPS,-,-,-,-	SA
RW902	DA62-20001P	TUBE PVC	ZIPEL,-,-,-	SA
RW904	DA62-20001R	TUBE PVC	V2-PJT,GASKET SCRAP,T1.0,-,L21	SA
RW919	DA60-40116A	WASHER-PLAIN	-,ID20,OD28,T0.5,-,-,-,STS4	SA
RW934	DA39-20389H	WIRE HARNESS-EARTH	EARTH,UL AWG18,RING-T	SA
RW944	DA39-00083A	WIRE HARNESS-SUB	-,EXP,-,-,-,FULL,-,-,	SA
RW958	0203-000399	TAPE-TEFLON	-,T0.05,W13,ROLL,WHT,-	SA
RW959	6502-000112	CABLE CLAMP	DA-8N,ID13.2,T1.0,NYLON6/6,N	SA
RW960	DA72-60040D	SEAL CUTT-RUBBER	-,POLYBUTILENE,-,-,-,-	SA
RW961	DA72-60348A	SEAL-FOAM PE	SR-S7180,FOAM-PE,BLK,T30,-	SA
	DA31-10141D	MOTOR AUGER ASSY	ISG-3250SSD,SR-S6586,1.	SA
	DA39-00084B	WIRE HARNESS-COMP	-,EXP,-,-,-,COMP,NOT	SA
	DA39-20368B	WIRE HARNESS	G-PJT,PCB,DOM,KS,5V,-,KIT,-	SA
	DA47-00035A	HEATER		
	DA61-00088A	SPRING ETC-DISP ICE-LEVER	ET-PJT,STS304,	SA
	DA63-40171B	GROMMET-SUCT PIPE A	-,NBR,OD20,ID4,L20,-	SA
	DA63-40171D	GROMMET-SUCT PIPE B	RAIL L19.5,NR,-,OD20	SA
	DA67-01293A	DUCT-CABI, A	E/T'05-PJT,ABS-SCRAP,-,-,-,-	SA
	DA67-01294A	DUCT-CABI, B	E/T'05-PJT,ABS,-,-,-,-,-	SA
	DA70-00215D	PLATE-INS DUCT	PP,ET-PJT,L76,-,-,-,-	SA
	DA71-00163A	FIXER-NUT	ZIPEL,STS420,T1,-,CLIP,STS420-	SA
	DA71-20207A	FIXER-VALVE WATER A	SR-S7180,NY-6,OD7.8	SA
	DA71-20208A	FIXER-VALVE WATER B	SR-S7180,NY-6,OD6.1	SA
	DA73-00180A	PIPE-CONNECT WATER PACKING	ET-PJT,BRASS,	SA
	DA73-10190V	PIPE-CONNECT DISC,A	TD-PJT,C1220T 1/2H,-	SA
	DA97-00904A	ASSY COVER-GUARD	ET-PJT,50mm,,,,,,	SA