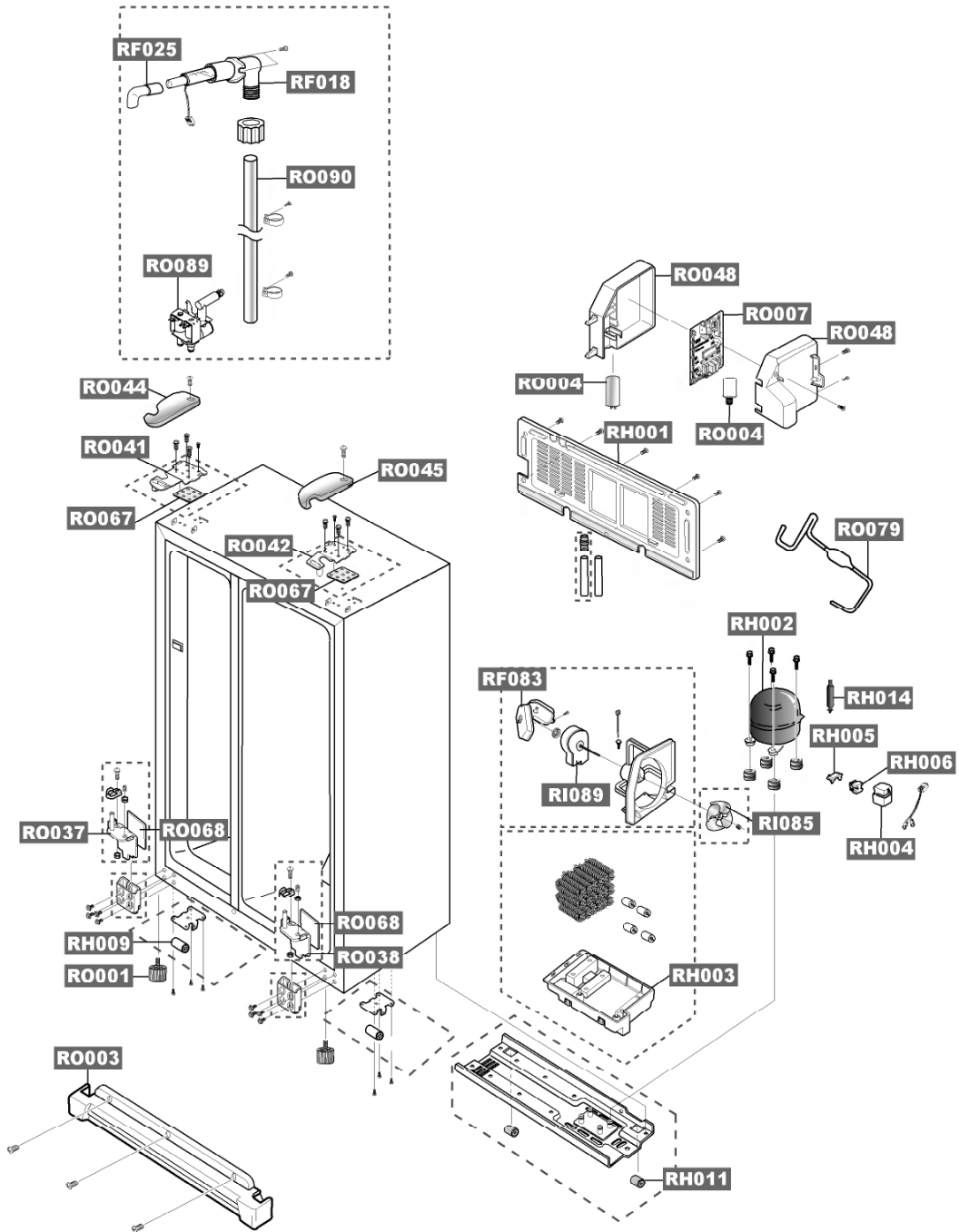
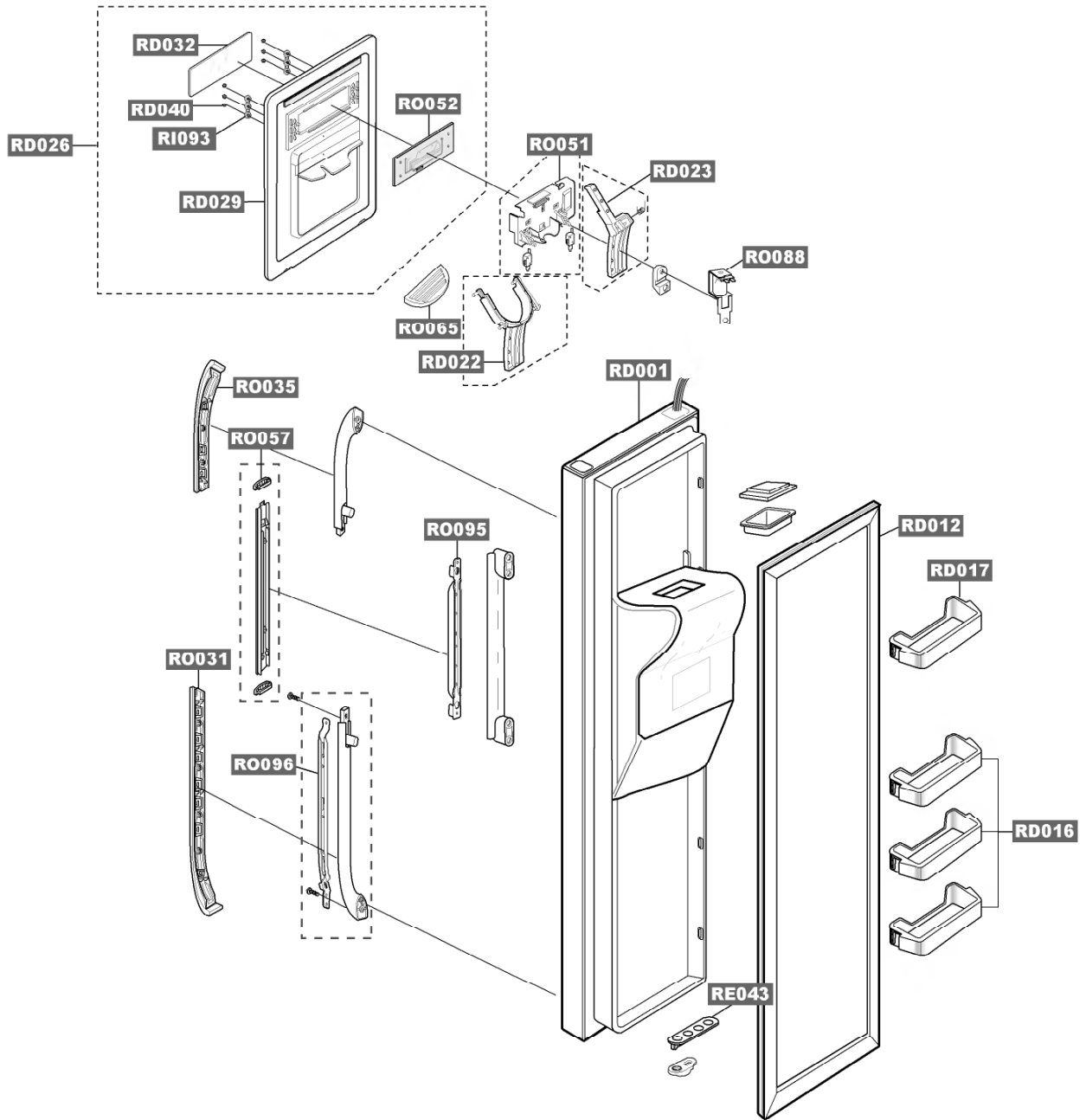


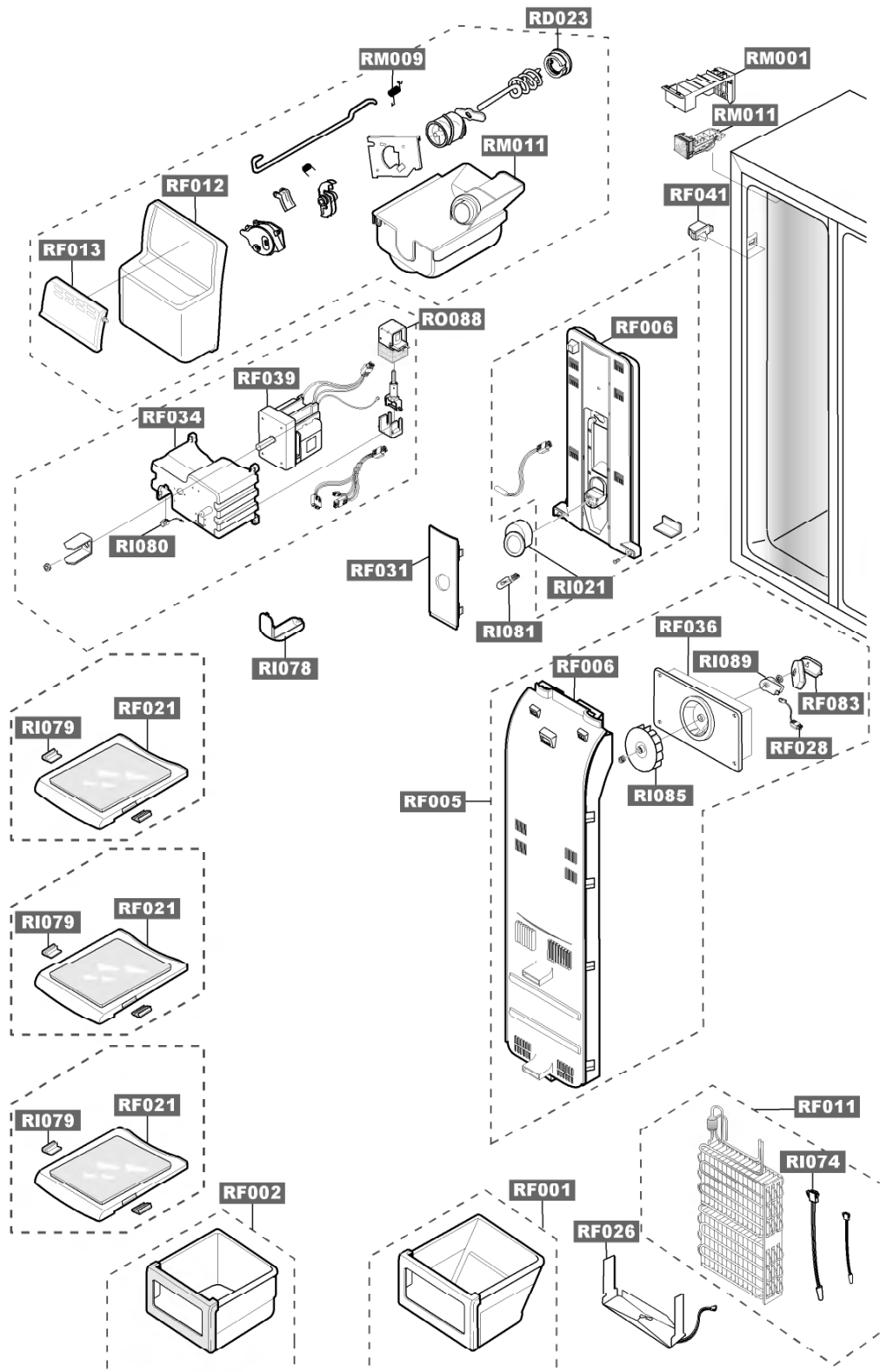
# New ET-PJT D Unit (RS21D\*\*\*, RS23D\*\*\*)



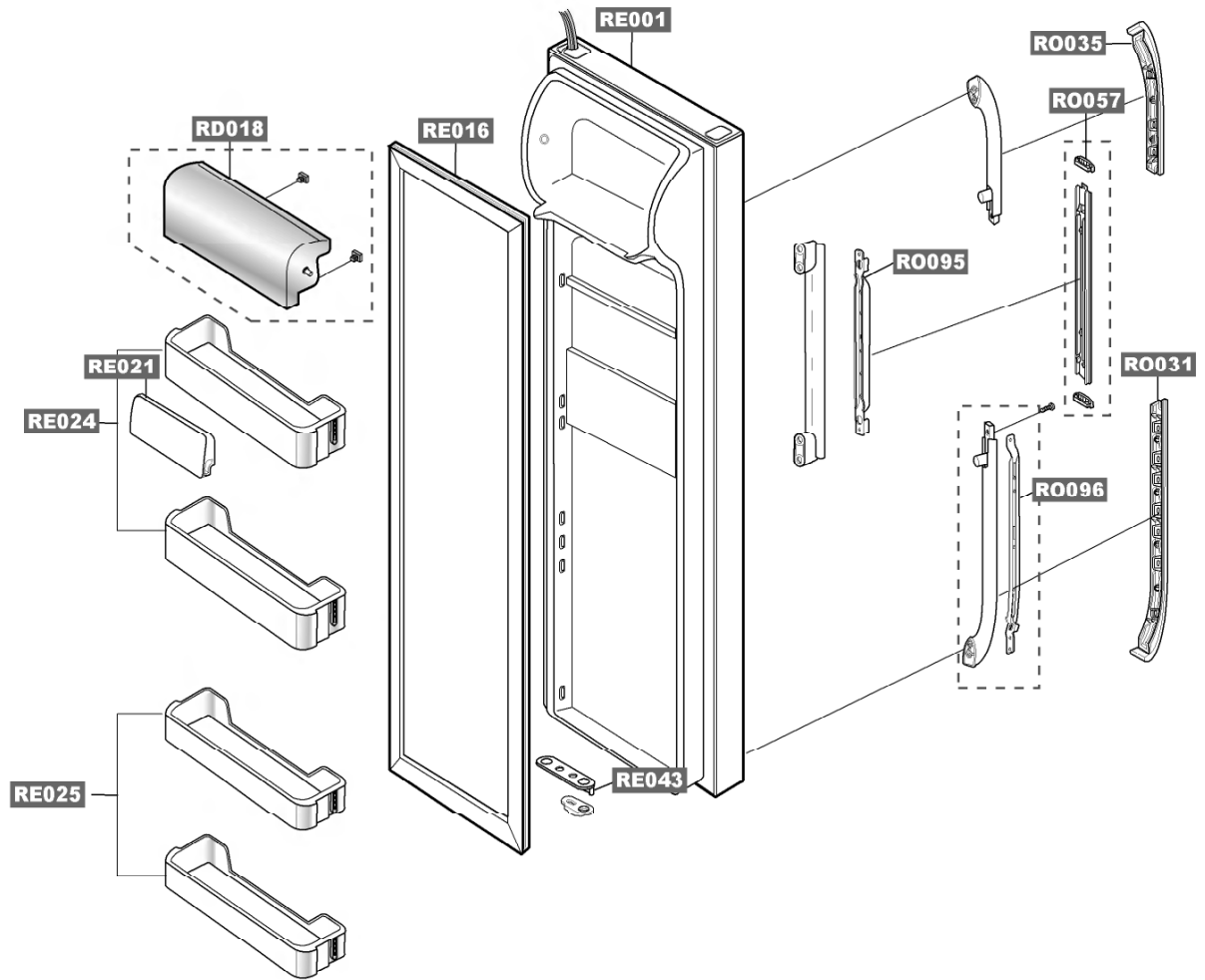
# New ET-PJT D Freezer Room Door (RS21D\*\*\*, RS23D\*\*\*)



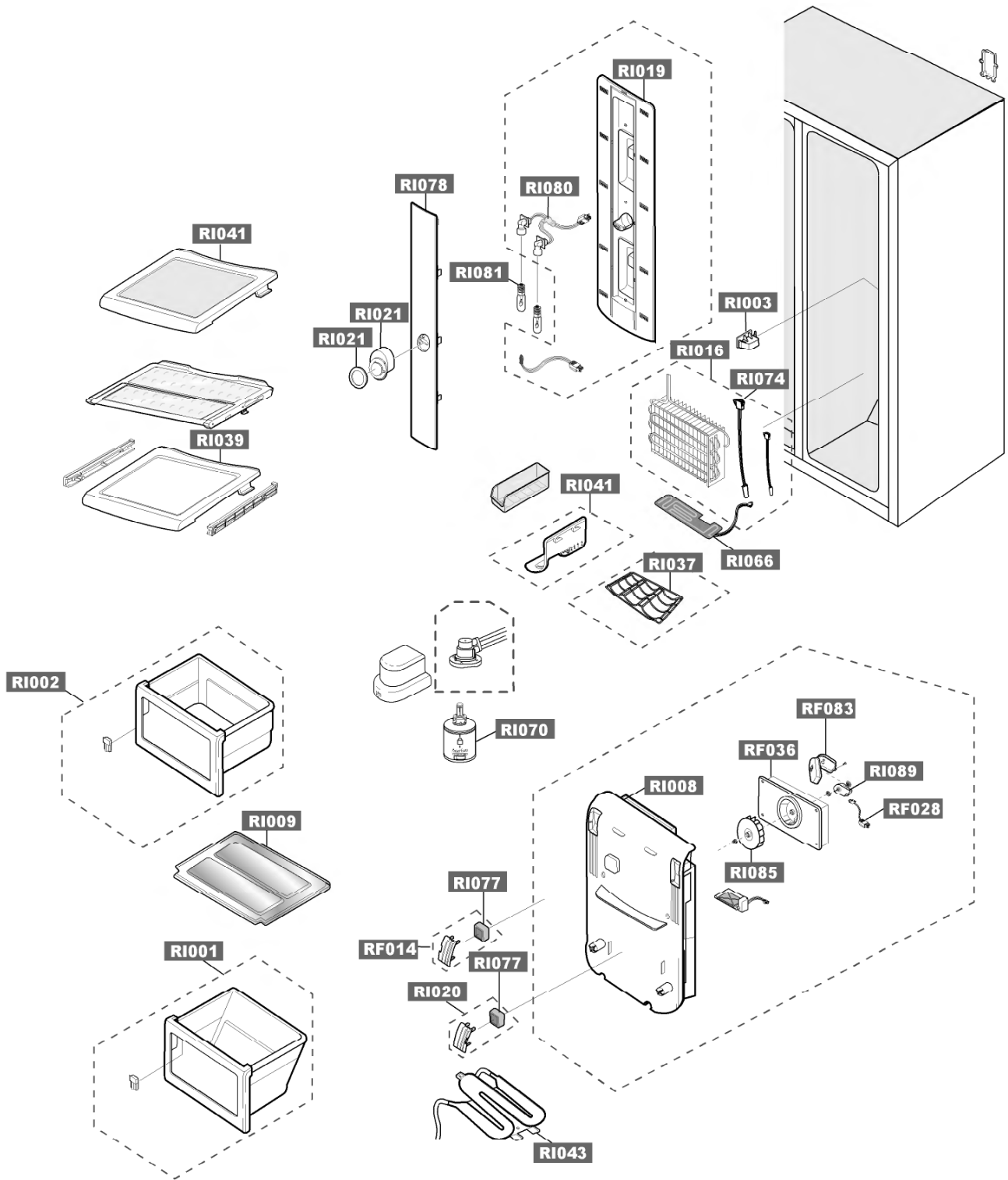
# New ET-PJT D Freezer Room (RS21D\*\*\*, RS23D\*\*\*)



# New ET-PJT D Refrigerator Room Door (RS21D\*\*\*, RS23D\*\*\*)



# New ET-PJT D Refrigerator Room (RS21D\*\*\*, RS23D\*\*\*)



Model code : **RS21DCSW1/XEH**

SA : SERVICE AVAILABLE SNA : SERVICE not AVAILABLE DNA : DELIVERY not AVAILABLE

| Part Code      | Description                               | Location | SI  |
|----------------|---|----------|-----|
| + DA90-01792A  | ASSY OUTER;ET-PJT(RS21),S/WHITE,-,EE,SBS  |          | SNA |
| ...6001-000541 | SCREW-MACHINE;PH,+,M4,L6,ZPC(YEL),SWRCH1  | RO108    | SNA |
| ...6002-000213 | SCREW-TAPPING;TH,+,1,M4,L12,ZPC(YEL),S    | RS047    | SA  |
| ...6002-000470 | SCREW-TAPPING;TH,+,1,M4,L10,ZPC(YEL),S    | RS080    | SA  |
| ...6006-001170 | SCREW-TAPPING;TH,+,WT,TC,M4,L10,ZPC(YEL)  | RS080    | SA  |
| ...6502-000156 | CABLE CLAMP;DAMC-103,-,SPC1,PE FOAM       | RW959    | SNA |
| ...DA60-10004A | SCREW-HEX;HH,+,M6,L16,ZPC(YEL),SWRCH      | RW664    | SA  |
| ...DA63-01968Q | COVER LEG-FRONT;USP-PJT,Snow-white,SC-97  | RO003    | SA  |
| ...DA63-02993C | COVER HINGE-UPP, L;ET,ATOP(50mm),ABS(VH-  | RO044    | SA  |
| ...DA63-02996C | COVER HINGE-UPP, R;ET,A-TOP(50mm),ABS(VH  | RO045    | SA  |
| ...DA97-01763A | ASSY HINGE LOW R;A-TOP,BASIC,10.5 Gasket  | RO147    | SA  |
| ...6003-001435 | SCREW-TAPTITE;HWH,+,S,M5,L12.7,ZPC(YEL),  | RS082    | SA  |
| ...6011-001442 | BOLT-SOCKET;M8,L15,ZPC(BLK),SCM435,-      | RW077    | SA  |
| ...6021-001125 | NUT-HEXAGON;3,M8, P1.25,ZPC(BLK),SWRCH10  | RW555    | SA  |
| ...DA02-10007A | TAPE ETC-DOUBLE FACE;-,-,W15,L20MT,-,-    |          | SNA |
| ...DA61-01608A | HINGE-LOW REF;10.5mm,SCP1,T4.5,-,T3.0,-,  | RO038    | SA  |
| ...DA61-01887B | BRACKET-SHIM HINGE LOW;RD-PVC,AD,T1,-,-,  | RO147    | SA  |
| ...DA66-00343A | CAM-RISER;USP05(ATOP,ET),NY-66(2110R),BL  | RO104    | SA  |
| ...DA97-03809B | ASSY HINGE UPP-L;ET(50mm),-,-,-,-,DOM     | RO041    | SA  |
| ...DA02-10007A | TAPE ETC-DOUBLE FACE;-,-,W15,L20MT,-,-    |          | SNA |
| ...DA61-02727B | HINGE-UPP,L;ET(50mm),SHP1,-,-,-,-,BLK     | RO129    | SNA |
| ...DA63-50192A | SHIM-HINGE UPP;-,-,RD-PVC,T1.0,-,L360,-,- | RO067    | SA  |
| ...DA97-03812B | ASSY HINGE UPP-R;ET(50mm),-,-,-,-,DOM     | RO042    | SA  |
| ...DA02-10007A | TAPE ETC-DOUBLE FACE;-,-,W15,L20MT,-,-    |          | SNA |
| ...DA61-02724B | HINGE-UPP,R;ET(50mm),SHP1,-,-,-,-,BLK     | RO128    | SNA |
| ...DA63-50192A | SHIM-HINGE UPP;-,-,RD-PVC,T1.0,-,L360,-,- | RO067    | SA  |
| ...DA97-03961B | ASSY COVER-COMP(EXP);ET-VE,-,-,-,-,-      |          | SA  |
| ...6501-001010 | CABLE TIE;DACB-150,T2.0,W10,L157,NTR,POL  | RW130    | SNA |
| ...DA62-00719T | SEAL-ABSORBER;ET,PROFILE W-601,BLACK,T12  | RQ668    | SNA |
| ...DA62-01134C | SEAL CUTT;-,-,FOAM PE,-,T3,W20,L1000,-    |          | SNA |
| ...DA62-01135R | SEAL CUTT;-,-,FOAM PE,-,T5,W20,L1000,-    |          | SNA |
| ...DA63-03070A | COVER COMP;ET/A-TOP_VE,SBHG1,T0.35,-,-,-  | RH001    | SNA |
| ...DA97-04107A | ASSY HINGE LOW-L;ET-PJT,T4.5,W80.4,L57.8  | RO037    | SA  |
| ...6003-001435 | SCREW-TAPTITE;HWH,+,S,M5,L12.7,ZPC(YEL),  | RS082    | SA  |
| ...DA61-02891A | HINGE-LOW FRE;ET-PJT,SHP1,T4.5,W54.6,L57  | RO037    | SNA |
| ...DA66-00343A | CAM-RISER;USP05(ATOP,ET),NY-66(2110R),BL  | RO104    | SA  |
| + DA90-01794B  | ASSY PACKING;21,NORMAL,C-OPTION,-,-,N     |          | SNA |
| ...0203-001545 | TAPE-FILAMENT;260A,T0.16,W35,L50000,-     |          | DNA |
| ...6043-000170 | PIN-PARALLEL(KEY);A,-,L18,ZPC(WHT),MSWR1  | RW563    | SNA |
| ...6902-000136 | BAG SHEET;T0.5,W300,L1500,WHT,-,-,-       |          | SNA |
| ...DA61-70274Y | SUPPORT-PACKING,UPP;EPEL-PJT,PP,-,-,-,-,  |          | SA  |
| ...DA68-01173B | LABEL-BAR CODE;ALL MODEL,EXP,SANGJIL,-,1  |          | SNA |
| ...DA69-00377C | CUSHION-EPS;SBS Åü ,δμ,-,-,-,-,-,CUSHSNA  |          |     |
| ...DA69-00496T | PAD PACKING-IN;ET-PJT(EXP),-,-,-,-,-,P    |          | SNA |
| ...DA69-00579A | CUSHION-UPP;ET-PJT,-,966,762,135,0.26,wh  |          | SNA |
| ...DA69-00581A | CUSHION-ANGLE FRONT;A-TOP,175,100,1500,-  |          | SNA |
| ...DA69-00582A | CUSHION-ANGLE REAR;ET-PJT,-,95,1500,145,  |          | SNA |
| ...DA69-00595B | BAG DUST;ET-PJT,0.02,-,2100,-,PACKING     |          | SNA |
| ...DA69-90145C | BAND-PP;EPEL,T0.95,W18,-,-,-,5,000.00g    |          | SA  |
| ...DA72-00250A | SPACER;-,-,FOAM-PS,270,-,-,-,-,80         |          | SNA |

|               |  |       |     |
|---------------|--|-------|-----|
| DA72-60260N   | SEAL CUTT-FOAM PE;-,T5,-,T5,-,W50,W50,   |       | SNA |
| DA99-01159V   | ASSY CUSHION LOW;SRS-57,ET-PJT           |       | SNA |
| DA02-10010A   | TAPE ETC-OPP;-,W50,L50M,-,-              |       | SNA |
| DA61-70265P   | SUPPORT;M,U-PJT,PP SCRAP,-,W60,L825,-,   | RE043 | SNA |
| DA61-70265V   | SUPPORT-PACKING;ET/N-PJT,PP SCRAP,-,W60, |       | SNA |
| DA69-00617M   | PAD-PACKING,LOW;SRS-57,3,-,-,-,-         |       | SNA |
| DA72-00151A   | CUSHION-LOW;ET-PJT,-,-,-,410,-,CUSHION   |       | SNA |
| DA72-00200B   | SPACER;-,FOAM-PS,150,-,-,-,150           |       | SNA |
| + DA90-02703D | ASSY PRINTING;RS21DCSW1/XEH              |       | SNA |
| 6801-001446   | CARD-REGISTRATION;HUNG,OPEN,HUNGARIAN,AR | RW958 | SA  |
| DA64-00990A   | MASCOT;-,AL,-,80MM,-,-                   | RE037 | SA  |
| DA68-10845K   | LABEL-LAMP LAMP;-,,-,SK-100,-,-,-,-      |       | SNA |
| DA97-03238D   | ASSY CASE-PCB;UCP-2,-,-,-,-              | RO047 | SNA |
| 6002-000213   | SCREW-TAPPING;TH,+,-,1,M4,L12,ZPC(YEL),S | RS047 | SA  |
| 6501-000123   | CABLE TIE;DACT-140,-,W3.6,L146,NTR,NYLON | RO101 | SA  |
| DA27-00002A   | COIL-NOISE FILTER;4,+50%,-30%,38*50,-,-  | RO004 | SA  |
| DA39-10115E   | CBF-POWER CORD;ET-PJT,-,UCP-2,-,-,-,-    | RO005 | SA  |
| DA61-02419A   | FIXER-NOSIE FILTER;ET-PJT,RD-PVC,T0.5,-, |       | SA  |
| DA63-00783A   | COVER PCB-PANEL;A-TOP,N-ABS,-,-,-,-      | RO050 | SA  |
| DA99-00200G   | ASSY PACKING-CASE;SR-S20,EXP             |       | SNA |
| DA99-00258A   | ASSY LABEL-WATER,TUBE;A-TOP,XAA          |       | SNA |
| DA99-00526G   | ASSY LABEL;RS21DCSW,EUROPE               |       | SNA |
| DA68-00122E   | LABEL-PRINT;EXP,EXP,-,85,67,-,-,ARTJ     |       | SNA |
| DA99-00528A   | ASSY LABEL-DIAGRAM;ET-PJT(RS21/23),DISPE |       | SNA |
| DA68-00122A   | LABEL-PRINT;EXP,EXP,-,-,C/COATING,SANGJI |       | SNA |
| DA99-00532D   | ASSY LABEL-ENERGY GUIDE;RS21DCSW,-       |       | SNA |
| DA99-01011A   | ASSY LABEL-MANUAL;NEW ET-PJT,ENG,POL,HUN |       | SNA |
| + DA90-01740B | ASSY CABINET FORM;ET-PJT(21/23),EE,S/WHI |       | SNA |
| 0201-001001   | ADHESIVE-HM;TF-100/AS-5910,MILKY-WHT,250 |       | SNA |
| 6009-001255   | SCREW-HEX;SWRCH18A,-,HEX-PLANGE,HEX,M6,L | RW664 | SA  |
| DA60-90005A   | RIVET-AVEX;AL,D3.2,L9.83,-,-             |       | SA  |
| DA62-01239A   | PIPE-HOT,LINE;ET-VE,C1220T,PI 3.2,PI 4.2 |       | SNA |
| DA64-00726J   | CABINET-MID FRONT;ET-PJT,SBHG1,T0.7,1617 |       | SNA |
| DA68-10376D   | LABEL-BAR CODE;ALL,W70XL150,CABI,-,-,-,A |       | SNA |
| DA69-90113W   | BAG PE;50u,W100,L150,-,-,-,PREMIUM       |       | SNA |
| DA70-00091A   | CABINET FRAME;ET-PJT,SECC1,T0.5,-,-,-,SN |       | SNA |
| DA01-00047Z   | C/STEEL;-,SECC1,SC-97527,T0.5,W725,L43   |       | SNA |
| DA74-00042A   | DRAIN-TANK HOSE;-,HDPE,T1.5,-,HOSE       |       | SNA |
| DA94-00102A   | ASSY LINER REF;ET-PJT(RS21/23),FILTER-IN |       | SNA |
| DA63-01145A   | GROMMET-SCREW;A-TOP,NY-6,-,-,-,ID3.2,OD1 |       | SNA |
| DA63-40262A   | GROMMET-TUBE WATER;A,HDPE,-,-,-,-,WH     | RF018 | SA  |
| DA68-11081D   | LABEL;ALL,-,ART,-,W30,L77,-,-,-,THER     |       | SNA |
| DA71-00076A   | FIXER-EVAP;-,HDPE,-,NTR,-                |       | SNA |
| DA72-00132E   | LINER-REF(ET);ET-PJT,ABS+SAN,SC-02740R,D |       | SNA |
| DA72-00458M   | SHEET ABS;ET-PJT(21/23),RESIN,COOL WHITE |       | SNA |
| 0103-002556   | RESIN-ABS;NA-0167,COOL WHITE,W91527,-    |       | SNA |
| 0103-002697   | RESIN-ABS;QU-0191,COOL WHITE,W91527,-    |       | SA  |
| DA74-00041A   | DRAIN-HOSE REF;-,HDPE,T1.5,-,-           |       | SNA |
| DA97-01291B   | ASSY RAIL-BASKET L(ET);ET-PJT,Cool-white | RF019 | SA  |
| DA97-01292B   | ASSY RAIL-BASKET R(ET);ET-PJT,Cool-white | RF020 | SA  |
| DA97-03667B   | ASSY COVER-DOOR S/W R;A-TOP,PP,-,-,-,-   |       | SNA |
| DA02-00061A   | TAPE ETC-DOUBLE FACE;R2-PJT,-,FOAM PE,T2 |       | SNA |
| DA02-10015B   | TAPE ETC-BINDER;-,W50,L50M,-,-,-         |       | SNA |
| DA63-02960A   | COVER DOOR-SWITCH,R;AT,PP,T1.0,W123,L103 |       | SNA |

|             |   |       |     |
|-------------|---|-------|-----|
| DA94-00103A | ASSY LINER FRE;DISPENSER,ET-PJT(RS21/23)      |       | SNA |
| DA61-00342A | SUPPORT-WATER PIPE,ASSY;-,PP,-,-,-,-,DIS      | RQ668 | SNA |
| DA61-00046A | SUPPORT-WATER;-,PP,-,-,-,-,-                  |       | SNA |
| DA72-00230B | SEAL-SUPT WATER;ET-PJT,FOAM,-,-,W59,L80,      |       | SNA |
| DA72-60035P | SEAL CUTT-N/SPONGE;-,-,N SPONGE,-,-,T10,-,-,- |       | SNA |
| DA63-01145A | GROMMET-SCREW;A-TOP,NY-6,-,-,-,-,ID3.2,OD1    |       | SNA |
| DA71-50224B | BRACKET-ICE MAKER;ZIPEL,SBHG1,T1.0,-,-,-,-    | RM002 | SA  |
| DA72-00131E | LINER-FRE(ET);ET-PJT,ABS+SAN,SC-02740R,D      |       | SNA |
| DA72-00458L | SHEET ABS;ET-PJT(21/23),RESIN,COOL WHITE      |       | SNA |
| 0103-002556 | RESIN-ABS;NA-0167,COOL WHITE,W91527,-         |       | SNA |
| 0103-002697 | RESIN-ABS;QU-0191,COOL WHITE,W91527,-         |       | SA  |
| DA74-00040A | DRAIN-HOSE FRE;-,-,HDPE,T1.5,-,-,FRE          |       | SNA |
| DA97-01291B | ASSY RAIL-BASKET L(ET);ET-PJT,Cool-white      | RF019 | SA  |
| DA61-00044C | RAIL-BASKET L(ET);ET-PJT,HIPS,-,-,-,-,COOL    | RF019 | SA  |
| DA63-00202A | GROMMET-RAIL;-,-,NY-6,-,-,-,-,-,-,-,-         | RI088 | SA  |
| DA97-01292B | ASSY RAIL-BASKET R(ET);ET-PJT,Cool-white      | RF020 | SA  |
| DA61-00045C | RAIL-BASKET R(ET);ET-PJT,HIPS,-,-,-,-,COOL    | RF020 | SA  |
| DA63-00202A | GROMMET-RAIL;-,-,NY-6,-,-,-,-,-,-,-,-         | RI088 | SA  |
| DA97-03666B | ASSY COVER-DOOR S/W L;A-TOP,PP,-,-,-,-,-,-    |       | SNA |
| DA02-00061A | TAPE ETC-DOUBLE FACE;R2-PJT,-,-,FOAM PE,T2    |       | SNA |
| DA02-10015B | TAPE ETC-BINDER;-,-,-,-,W50,L50M,-,-,-,-      |       | SNA |
| DA63-02959A | COVER DOOR-SWITCH,L;AT,PP,T1.0,W123,L103      |       | SNA |
| DA97-00105C | ASSY URETHANE CABI;ET-PJT,-                   |       | SNA |
| 0204-002992 | POLYOL;CP-1900S,R-(OH)n,-,-,-,-               |       | SNA |
| DA02-40003A | BLOWING AGE;;C5H10,CYCLO-PENTANE 95%          |       | SNA |
| DA02-40012D | ISOCYANATE;MDI,-,-,-,-,-,PAPI-135K,-,-        |       | SNA |
| DA02-40034A | CATALYST;PC-SSC,-,-,PC-35                     | RI077 | DNA |
| DA97-01830F | ASSY PIPE-SUCTION;ET-PJT,T5XW50XL65           |       | SNA |
| 6501-000123 | CABLE TIE;DACT-140,-,-,W3.6,L146,NTR,NYLON    | RO101 | SA  |
| DA62-00046B | PIPE-CONNECT EVAP;EPEL,C1220T-0,-,-,-,L568    |       | SNA |
| DA62-00717M | SEAL CUTT-FOAM PE;A-TOP,ET,FOAM PE,-,-,T4,    |       | SNA |
| DA62-01018A | SEAL CUTT-RUBBER;A-TOP M/C,RUBBER,BLACK,      | RW960 | SNA |
| DA62-01134C | SEAL CUTT;-,-,FOAM PE,-,-,T3,W20,L1000,-      |       | SNA |
| DA62-01135R | SEAL CUTT;-,-,FOAM PE,-,-,T5,W20,L1000,-      |       | SNA |
| DA62-01136N | SEAL CUTT;-,-,FOAM PE,-,-,T7,W100,L1000,-     |       | SNA |
| DA63-02667A | GROMMET-SUCTION PIPE;A-TOP,NBR,BLACK,-,-,-    |       | SNA |
| DA73-00073A | PIPE-SUCTION;ET-PJT,CU,-,-,¥6.35,L2427,T0S    |       | NA  |
| 0202-000115 | SOLDER-SILVER;BCUP-6,2%,OD2.4,L500,-          |       | SNA |
| DA73-10137A | PIPE-CAPI;-,-,C1220T-H,-,-,OD1.8,L3240,ID0.7  |       | SNA |
| DA75-20102D | COPPER-TUBE;C1220T,T0.6,-,-,ROLL,-,-,OD6.35,  |       | SNA |
| DA97-02172E | ASSY-TAPE(ET);ET,Dispenser,-,-                |       | SNA |
| DA97-02173D | ASSY-TAPE CABI(ET);ET,Dispesner,-,-           |       | SNA |
| 0203-000383 | TAPE-AL FOIL;01-A,T0.04,W200,1RL,NTR          | RO139 | SNA |
| 0203-001152 | TAPE-AL FOIL;DTS-01,T0.06,W100,L100000,S      | RO139 | SNA |
| 0203-001308 | TAPE-PAPER;80,T0.15,W80,ROLL,YEL              |       | SNA |
| 0203-001810 | TAPE-COTTON;140SN,T0.24,W60,ROLL,NTR,-        |       | SNA |
| 0203-001811 | TAPE-COTTON;140SN,T0.24,W45,ROLL,NTR,-        |       | SNA |
| 0203-001812 | TAPE-POLY;204BH,T0.08,W10,ROLL,GRAY,-         |       | SNA |
| 0203-001813 | TAPE-POLY;204BH,T0.07,W40,ROLL,GRAY,-         |       | SNA |
| DA02-10004D | TAPE-PAPER;-,-,-,W40,1RL,-,-,-                |       | SNA |
| DA02-10004E | TAPE ETC-PAPER;-,-,-,W100,1RL,-,-,-           |       | SNA |
| DA02-10011A | TAPE ETC-PE;-,-,-,T0.05,W60,1RL,-,-,-         |       | SNA |
| DA02-10013B | TAPE ETC-AL;ALL MODEL,-,-,-,T0.03,W30,IRL,    |       | SNA |
| DA02-10014B | TAPE ETC-AL;ALL MODEL,-,-,-,T0.03,W50,ROLL    |       | SNA |



|             |  |       |     |
|-------------|--|-------|-----|
| DA02-10150A | TAPE ETC-PAPER;-,-,W60,1RL,-,-,-           |       | SNA |
| DA69-00652A | WRAP VINYL-PROTECT;A-TOP,0.04,200,-,-,-,   |       | SNA |
| DA97-02174E | ASSY-TAPE DOOR(ET);ET,Dispenser,-,-        |       | SNA |
| 0203-001152 | TAPE-AL FOIL;DTS-01,T0.06,W100,L100000,S   | RO139 | SNA |
| 0203-001810 | TAPE-COTTON;140SN,T0.24,W60,ROLL,NTR,-     |       | SNA |
| 0203-001811 | TAPE-COTTON;140SN,T0.24,W45,ROLL,NTR,-     |       | SNA |
| DA02-10004D | TAPE-PAPER;-,-,W40,1RL,-,-,-               |       | SNA |
| DA02-10014B | TAPE ETC-AL;ALL MODEL,-,-,T0.03,W50,ROLL   |       | SNA |
| DA97-02211D | ASSY BRACKET-HINGE LOW;ET 50mm,-           | RO074 | SA  |
| DA61-00317D | BRACKET HINGE-LOW;ET-PJT,SHP1,T2.6,-,-,B   | RO074 | SA  |
| DA61-01887B | BRACKET-SHIM HINGE LOW;RD-PVC,AD,T1,-,-,   | RO147 | SA  |
| DA63-50207D | SHIM HINGE-LOW;A-TOP,PVC,T1.0,-,-,-,-      | RO068 | SA  |
| DA97-03802B | ASSY-SEAL CABI;ET-PJT,FULL                 |       | SNA |
| DA62-00091B | SEAL CUTT-FOAM-PE;FOAM-PE(T10),A-TOP,SPO   |       | SNA |
| DA62-00290B | SEAL-CUTT FOAM,PE;-,-,N FOAM-PE,BLACK,T10, |       | SNA |
| DA72-60106V | SEAL CUTT-SPONGE;-,-,SPONGE,-,T10,W80,L40, | RW961 | SNA |
| DA72-60242H | SEAL-DRAIN,CONNECTOR;SBS,FOAM-PE,-,T2,-,   |       | SNA |
| DA97-03867A | ASSY CABINET-BOTTOM FRONT;ET/A-TOP_VE,-,   |       | SNA |
| 0205-000121 | GREASE-SILICON;G-40M,240~280,-             |       | SA  |
| 6002-000213 | SCREW-TAPPING;TH,+,-,1,M4,L12,ZPC(YEL),S   | RS047 | SA  |
| DA02-10004D | TAPE-PAPER;-,-,W40,1RL,-,-,-               |       | SNA |
| DA60-10004A | SCREW-HEX;HH,+,-,M6,L16,ZPC(YEL),SWRCH     | RW664 | SA  |
| DA60-90124A | RIVET;-,-,MSWR10,OD6.0,-,-,L56,-,-,-       | RH012 | SA  |
| DA61-02427A | REINF-CASTER FRONT;USP05,SBHG1,T2.5,-,-,   | RT002 | SA  |
| DA61-02792A | REINF CABI-BOTT FRONT;ET/A-TOP_VE,SBHG1,   |       | SNA |
| DA61-02793A | PLATE-BOTT FRONT;ET/A-TOP_VE,PCM,T0.4,-,   |       | SNA |
| DA61-30102A | FOOT-FRONT;SR-F5670,PP,-,YEL,T0.6,-,ZPC2   | RO001 | SA  |
| DA61-40115A | CASTER-FRONT;SR-62EA,NY-66,-,-,-,ID6 O     | RH009 | SA  |
| DA62-01141F | SEAL CUTT;-,-,SPONGE,-,T5,W30,L1000,-      |       | SNA |
| DA64-01819A | CABINET-BOTTOM FRONT;ET/A-TOP_VE,PP,T2.0   |       | SNA |
| DA97-03960A | ASSY TRIM-BLADE;ET/A-TOP_VE,-,-,-,-,-      |       | SA  |
| 6002-000470 | SCREW-TAPPING;TH,+,-,1,M4,L10,ZPC(YEL),S   | RS080 | SA  |
| DA61-02802A | SUPPORT-TRIM BLADE;ET/A-TOP_VE,PP,T2.0,-   |       | SNA |
| DA62-01134D | SEAL CUTT;-,-,FOAM PE,-,T3,W25,L1000,-     |       | SNA |
| DA64-01264C | TRIM-BLADE;ET/A-TOP_VE,PVC,-,T1.5,-,-,-    | RM021 | SA  |
| DA97-03868A | ASSY CABINET-BOTTOM REAR;ET/A-TOP_VE,-,-   |       | SNA |
| DA02-10004D | TAPE-PAPER;-,-,W40,1RL,-,-,-               |       | SNA |
| DA61-02790A | PLATE-BOTT REAR L;ET/A-TOP_VE,SBHG1,T0.3   |       | SNA |
| DA61-02791A | PLATE-BOTT REAR R;ET/A-TOP_VE,SBHG1,T0.3   |       | SNA |
| DA62-01136T | SEAL CUTT;-,-,FOAM PE,-,T10,W20,L1000,-    |       | SNA |
| DA62-01140Z | SEAL CUTT;-,-,SPONGE,-,T5,W10,L1000,-      |       | SNA |
| DA62-01142F | SEAL CUTT;-,-,SPONGE,-,T10,W40,L1000,-     |       | SNA |
| DA63-03049A | GROMMET-HOT PIPE;USP-PJT,NR,-,-,-,-,OD 3   |       | SNA |
| DA63-40263A | GROMMET-TUBE WATER;B,NR,-,-,-,-,-,BLK      | RF018 | SNA |
| DA64-01820A | CABINET-BOTT REAR;ET/A-TOP_VE,SBHG1,T0.3   |       | SNA |
| DA71-00162A | BRACKET-PLATE;ET-PJT,SBHG1,T1.6,-,-,-,-    |       | SNA |
| DA71-00322A | BRACKET-BOTT REAR;M-PJT,SBHG1,T1.6,-,-,-,- |       | SNA |
| DA97-03973A | ASSY REINF-FLANGE UPP;ET_VE,-,-,-,-,-      |       | SA  |
| DA61-02798A | REINF-HINGE UPP,L;SHP1,ET-VE,T3.0,ZPC3,-   |       | SNA |
| DA61-02799A | REINF-HINGE UPP,R;SHP1,ET-VE,T3.0,ZPC3,-   |       | SNA |
| DA61-02829A | REINF CABI-FLANGE UPP;SBS ALL,HR,T1.4,-,   |       | SNA |
| DA97-03974C | ASSY REINF-FLANGE L;ET-VE,-,-,-,-,-        |       | SNA |
| 6001-000592 | SCREW-MACHINE;TH,+,-,M4,L8,ZPC(YEL),SWRCH1 | RO108 | SA  |
| DA61-02830B | REINF CABI-FLANGE L;SBS,HR,T1.4,-,1627,-   |       | SNA |

|             |  |       |     |
|-------------|--|-------|-----|
| DA61-02921A | SUPPORT-CABI FLANGE,L;ET-VE,PO,2.6,-,-,- |       | SNA |
| DA97-03975C | ASSY REINF-FLANGE R;ET-VE,-,-,-,-,-      |       | SNA |
| 6001-000592 | SCREW-MACHINE;TH,+,M4,L8,ZPC(YEL),SWRCH1 | RO108 | SA  |
| DA61-02831B | REINF CABI-FLANGE R;SBS,HR,T1.4,-,1627,- |       | SNA |
| DA61-02920A | SUPPORT-CABI FLANGE,R;ET-VE,PO,2.6,-,-,- |       | SNA |
| DA97-04246E | ASSY CABINET-REAR FRAME;ET-PJT,-,-,W893. |       | SNA |
| DA62-01141Y | SEAL CUTT;-SPONGE,-,T10,W15,L1000,NON-A  |       | SNA |
| DA70-00090G | CABINET FRAME-REAR;ET-PJT,SGCC1,T0.4,-,- |       | SNA |
| DA01-00096Y | C/STEEL;ZIPEL,SGCC,-,T0.4,W916.5,L1462   |       | SNA |
| DA90-01743G | ASSY DOOR REF;ET-PJT(RS21),EMBO,S/WHITE, | RE001 | SNA |
| 6002-000215 | SCREW-TAPPING;TH,+,1,M4.0,L16,ZPC(YEL)   | RS080 | SA  |
| 6002-000468 | SCREW-TAPPING;PH,+,2S,M5.0,L18,ZPC(YEL)  | RS080 | SA  |
| DA64-00097B | HANDLE BASE-UPP;ET-PJT,HIPP,-,-,-,-,-    | RO018 | SA  |
| DA64-00099B | HANDLE TRIM-LOW;ET-PJT,ABS,-,-,-,-,-     | RO031 | SA  |
| DA64-00100E | HANDLE-TRIM UPP;ET-PJT,ABS,-,-,-,-,SC-97 | RO035 | SA  |
| DA64-00110B | HANDLE-BASE MID ASSY;ET-PJT,ABS,-,-,-,-, |       | SA  |
| DA64-00111B | HANDLE-LOW-ASSY;ET-PJT,ASSY,-,-,-,-,-    | RO023 | SA  |
| DA64-00209A | HANDLE TRIM-ASSY,MID;ET-PJT,ABS,-,-,-,-, | RO025 | SA  |
| DA91-01742G | ASSY DOOR FOAM REF;ET-PJT(RS21),S/WHITE, | RE001 | SA  |
| DA61-01782A | REINF-PANEL;A-TOP,ET,SCP1,T0.8,-,L1420,- |       | SNA |
| DA64-01203B | PANEL DOOR-REF(ET-50);ET-PJT,ABS,-,-,-,- |       | SNA |
| DA72-00572C | SHEET ABS;SRS576/62/RS21/23,RESIN,COOL W |       | SNA |
| 0103-002556 | RESIN-ABS;NA-0167,COOL WHITE,W91527,-    |       | SNA |
| 0103-002697 | RESIN-ABS;QU-0191,COOL WHITE,W91527,-    |       | SA  |
| DA67-00143A | CAP-GUARD;ZIPEL,ABS,-,-,-,-,-            | RW155 | SA  |
| DA68-00007B | LABEL SERIAL;-SANGJIL,-,W45,L10,EXP,-,-  |       | SNA |
| DA97-00107P | ASSY URETHANE-DOOR REF;ET-04,50mm,Basic  |       | SNA |
| 0204-002696 | POLYOL;KH2045,MIX,100/115,-,-            |       | SNA |
| DA02-00033A | CHEMICAL-CATALYST;-,-,CATALYST,-,LIQUID, |       | SNA |
| DA02-40003A | BLOWING AGE;;C5H10,CYCLO-PENTANE 95%     |       | SNA |
| DA02-40012D | ISOCYANATE;MDI,-,-,-,-,PAPI-135K,-,-     |       | SNA |
| DA02-40020G | SILICON;COMPOUND B-8462,-,               |       | SNA |
| DA97-03927V | ASSY-DOOR PLATE REF;ET(50MM),SNOW WHITE( |       | SNA |
| 6001-000715 | SCREW-MACHINE;TH,+,M5,L16,ZPC(YEL),SWR   | RO108 | SNA |
| 6002-001122 | SCREW-TAPPING;FH,+,1,M4,L14,ZPC(WHT),SWR | RS059 | SA  |
| DA02-10004D | TAPE-PAPER;-,-,-,W40,1RL,-,-,-           |       | SNA |
| DA60-10107A | SCREW MACHINE;-,-,+,M4,L10,PASS,STS304,- | RS016 | SA  |
| DA60-90005A | RIVET-AVEX;AL,D3.2,L9.83,-,-             |       | SA  |
| DA61-00550A | STOPPER DOOR;ET-PJT,SHP1,T3.0,-,-,-,-    | RE043 | SA  |
| DA61-01335B | PLATE-DOOR REF;ET-PJT(RS21),EMBO,T0.6,63 |       | SA  |
| DA01-00076B | C/STEEL;-SECC1,SC-97527,T0.5,W637.3,L    |       | SNA |
| DA61-01356A | SUPPORT-MASCOT;-HIPS,-,-,80MM,-,-        |       | SNA |
| DA66-00344A | CAM-HINGE RISER LOW;USP05(ATOP,ET),NY-66 | RO105 | SA  |
| DA67-00169L | CAP DOOR-LOW,R;ET(50mm),NY-66,-,-,-,i-BL |       | SNA |
| DA72-60389V | SEAL CUTT-FOAM PE;ET-PJT,FOAM-PE,-,T3.0, |       | SNA |
| DA73-10469D | PIPE-WATER;SR-S6580/S7080,PVC,-,OD16,L25 | RF018 | SA  |
| DA97-03505B | ASSY REINF-DOOR LOW REF;ET,2.0,-,-,-,-   | RE081 | SA  |
| DA61-02437B | REINF-DOOR LOW REF;ET,SHP1,2.0,-,-,-,-   |       | SNA |
| DA62-00476B | SEAL CUTT-SPONGE;V2,N,A-TOP,SPONGE,-,T5, | RW961 | SNA |
| DA97-03506C | ASSY REINF-DOOR MID;A-TOP, ET,T2.0,-,-,- | RT109 | SA  |
| DA97-03509G | ASSY REINF-DOOR REF;ET,2.0,50,-,-,-      |       | SA  |
| DA61-01575C | REINF-DOOR UPP REF;ET(50MM),SHP1,T2.0,45 |       | SNA |
| DA62-00476B | SEAL CUTT-SPONGE;V2,N,A-TOP,SPONGE,-,T5, | RW961 | SNA |
| DA97-04161C | ASSY HANDLE-FOAM DOOR LIST;SKI-BAR,ALUMI |       | SNA |

|             |  |       |     |
|-------------|--|-------|-----|
| DA97-04180A | ASSY CAP DOOR-UP BASIC;SBS_BASIC ALL MOD   |       | SNA |
| 0203-001811 | TAPE-COTTON;140SN,T0.24,W45,ROLL,NTR,-     |       | SNA |
| DA39-20389H | WIRE HARNESS-EARTH;EARTH,UL AWG18,RING-T   | RW934 | SA  |
| DA67-01376C | CAP DOOR-UPP;SBS ALL,NY-66,-,-,-,I-BLACK   | RO080 | SNA |
| DA97-03764F | ASSY-GASKET DOOR,REF;ET-PJT,SF-PVC,478X1   | RE016 | SA  |
| DA97-03803G | ASSY-SEAL DOOR REF;ET-PJT,BASIC            |       | SNA |
| DA62-00717F | SEAL CUTT-FOAM-PE;FOAM-PE,A-TOP,T3,W50,L   |       | SNA |
| DA62-00916M | SEAL-CUTT SPONGE;EPEL,SPONGE,-,T5.0,W35.   |       | SNA |
| DA72-60389V | SEAL CUTT-FOAM PE;ET-PJT,FOAM-PE,-,T3.0,   |       | SNA |
| DA90-01776A | ASSY DOOR FRE;ET-PJT(RS21),EE,EMBO,S/WHI   | RD001 | SNA |
| 6002-000213 | SCREW-TAPPING;TH,+,-,1,M4,L12,ZPC(YEL),S   | RS047 | SA  |
| 6002-000215 | SCREW-TAPPING;TH,+,-,1,M4.0,L16,ZPC(YEL)   | RS080 | SA  |
| 6002-000468 | SCREW-TAPPING;PH,+,-,2S,M5.0,L18,ZPC(YEL)  | RS080 | SA  |
| DA34-00011B | SWITCH MICRO;-,-,-,250V,-,15A,-,-,-,-,     | RD063 | SA  |
| DA63-02990A | TRAY DISPENSER;SAPPHIRE-PJT,ABS,T2.5,-,-   | RO065 | SA  |
| DA64-00097B | HANDLE BASE-UPP;ET-PJT,HIPP,-,-,-,-,-,-    | RO018 | SA  |
| DA64-00099B | HANDLE TRIM-LOW;ET-PJT,ABS,-,-,-,-,-,-     | RO031 | SA  |
| DA64-00100E | HANDLE-TRIM UPP;ET-PJT,ABS,-,-,-,-,-,SC-97 | RO035 | SA  |
| DA64-00110B | HANDLE-BASE MID ASSY;ET-PJT,ABS,-,-,-,-,-  |       | SA  |
| 6002-000470 | SCREW-TAPPING;TH,+,-,1,M4,L10,ZPC(YEL),S   | RS080 | SA  |
| DA64-00096B | HANDLE BASE-MID;ET-PJT,ABS,-,-,-,-,-,SC-97 | RO020 | SA  |
| DA71-00077A | REINF-HANDLE-MID;ET-PJT,SBHG1,T1.4,-,-,-   | RO095 | SA  |
| DA64-00111B | HANDLE-LOW-ASSY;ET-PJT,ASSY,-,-,-,-,-,-    | RO023 | SA  |
| 6002-000470 | SCREW-TAPPING;TH,+,-,1,M4,L10,ZPC(YEL),S   | RS080 | SA  |
| DA64-00095B | HANDLE BASE-LOW;ET-PJT,HIPP,-,-,-,-,-,-    | RO019 | SA  |
| DA71-00078A | REINF-HANDLE LOW;ET-PJT,SBHG1,T1.4,-,-,-   | RO096 | SA  |
| DA64-00209A | HANDLE TRIM-ASSY,MID;ET-PJT,ABS,-,-,-,-,-  | RO025 | SA  |
| DA64-00098B | HANDLE TRIM-MID;ET-PJT,ABS,-,-,-,-,-,-     | RO032 | SA  |
| DA64-00196A | TRIM-HANDLE CONNECT,MID;ET-PJT,ABS,-,-,-   | RO057 | SA  |
| DA67-01430A | CAP-CHUTE ICE 50MM;ET-VE,ABS,DISP,50mm,E   |       | SNA |
| DA91-02298D | ASSY DOOR FOAM FRE;RS21(ET03),S/WHITE,SK   | RD001 | SA  |
| DA61-01782A | REINF-PANEL;A-TOP,ET,SCP1,T0.8,-,L1420,-   |       | SNA |
| DA64-01081C | PANEL DOOR-FRE DISP;ET-VE,ABS-SHEET,50mm   |       | SNA |
| DA72-00572B | SHEET ABS;SRS62,RESIN,COOL WHITE,-,-,-,P   |       | SNA |
| 0103-002556 | RESIN-ABS;NA-0167,COOL WHITE,W91527,-      |       | SNA |
| 0103-002697 | RESIN-ABS;QU-0191,COOL WHITE,W91527,-      |       | SA  |
| DA68-00007B | LABEL SERIAL;-,-,SANGJIL,-,W45,L10,EXP,-,- |       | SNA |
| DA97-00106F | ASSY URETHANE-DOOR FRE;ET-PJT,50mm,Dispe   |       | SNA |
| 0204-002696 | POLYOL;KH2045,MIX,100/115,-,-              |       | SNA |
| DA02-00033A | CHEMICAL-CATALYST;-,-,CATALYST,-,LIQUID,   |       | SNA |
| DA02-40003A | BLOWING AGE;;C5H10,CYCLO-PENTANE 95%       |       | SNA |
| DA02-40012D | ISOCYANATE;MDI,-,-,-,-,PAPI-135K,-,-       |       | SNA |
| DA02-40020G | SILICON;COMPOUND B-8462,-,-                |       | SNA |
| DA97-04300A | ASSY-PLATE DOOR FRE;ET-VE,50mm,DISP,230V   |       | SNA |
| 0203-001810 | TAPE-COTTON;140SN,T0.24,W60,ROLL,NTR,-     |       | SNA |
| 6001-000715 | SCREW-MACHINE;TH,+,-,M5,L16,ZPC(YEL),SWR   | RO108 | SNA |
| 6002-001122 | SCREW-TAPPING;FH,+,-,1,M4,L14,ZPC(WHT),SWR | RS059 | SA  |
| DA60-10107A | SCREW MACHINE;-,-,-,M4,L10,PASS,STS304,-   | RS016 | SA  |
| DA60-90005A | RIVET-AVEX;AL,D3.2,L9.83,-,-               |       | SA  |
| DA61-00550A | STOPPER DOOR;ET-PJT,SHP1,T3.0,-,-,-,-      | RE043 | SA  |
| DA61-02834B | PLATE-DOOR FRE;DISP,ET-VE,50mm,EMBO,SC-9   |       | SNA |
| DA01-00076A | C/STEEL;-,-,SECC1,SC-97527,T0.5,W491.3,L   |       | SNA |
| DA62-01133Q | SEAL CUTT;-,-,FOAM LEX,-,T15,W25,L1000,-   |       | SNA |
| DA62-01134P | SEAL CUTT;-,-,FOAM PE,-,T3,W80,L1000,-     |       | SNA |

|             |  |       |     |
|-------------|--|-------|-----|
| DA62-01140N | SEAL CUTT;-SPONGE,-,T3,W40,L1000,-       |       | SNA |
| DA66-00344A | CAM-HINGE RISER LOW;USP05(ATOP,ET),NY-66 | RO105 | SA  |
| DA67-00170L | CAP DOOR-LOW,L;ET(50mm),NY-66,-,-,-,i-BL |       | SNA |
| DA67-01375B | CAP DOOR-FRE,UPP;ET,ABS(HG-0760H),-,-,-  |       | SNA |
| DA73-10469E | PIPE-WATER;SR-S6580/S7080,PVC,-,OD16,L50 | RF018 | SNA |
| DA97-03504B | ASSY REINF-DOOR LOW FRE;ET,2.0,-,-,-,-   | RD084 | SA  |
| DA61-02436B | REINF-DOOR LOW FRE;USP05, ET,SHP1,T2.0,- |       | SNA |
| DA62-00476B | SEAL CUTT-SPONGE;V2,N,A-TOP,SPONGE,-,T5, | RW961 | SNA |
| DA97-03506C | ASSY REINF-DOOR MID;A-TOP, ET,T2.0,-,-,- | RT109 | SA  |
| DA62-00476D | SEAL CUTT-SPONGE;V2,N,A-TOP,SPONGE,-,T7, | RW961 | SNA |
| DA71-00067C | REINF-DOOR MID;ZIPEL,SHP1,T2.0,-,-,-,-   |       | SNA |
| DA97-03507G | ASSY REINF-DOOR UPP;ET,T2.0,50,-,-,-     |       | SA  |
| DA61-01574C | REINF-DOOR UPP FRE;ET(50MM),SHP1,T2.0,45 |       | SNA |
| DA62-00476B | SEAL CUTT-SPONGE;V2,N,A-TOP,SPONGE,-,T5, | RW961 | SNA |
| DA97-04123J | ASSY CASE-DISPENSER;ET-VE,DISP,230V,SNOW |       | SNA |
| 0203-001810 | TAPE-COTTON;140SN,T0.24,W60,ROLL,NTR,-   |       | SNA |
| 0203-001811 | TAPE-COTTON;140SN,T0.24,W45,ROLL,NTR,-   |       | SNA |
| DA47-00232A | HEATER-DISPENSER;-ET_VE,HEATER,5W,-,230  |       | SNA |
| DA61-01615A | BRACKET-PIPE WATER;AD,ABS,T2.5,-,-,SC-93 | RO130 | SA  |
| DA61-02749A | SUPPORT-TRAY DISPENSER;ABS,ET-VE,T2.2,DI |       | SNA |
| DA61-02750A | CASE DISPENSER;ABS,ET-VE,T2.5,DISP,EXP,S |       | SNA |
| DA62-00633Q | PIPE-WATER LINE;AD,PB,ID4.2,OD6.35,L1500 | RO090 | SNA |
| DA62-01132M | SEAL CUTT;-FOAM LEX,-,T3,W40,L1000,-     |       | SNA |
| DA62-01134L | SEAL CUTT;-FOAM PE,-,T3,W50,L1000,-      |       | SNA |
| DA62-01140D | SEAL CUTT;-SPONGE,-,T3,W10,L1000,-       |       | SNA |
| DA62-01140N | SEAL CUTT;-SPONGE,-,T3,W40,L1000,-       |       | SNA |
| DA68-00679B | LABEL-COLOR;-ARTG+OPP,-,-,¥020,-,-,-,RES |       | NA  |
| DA68-01557B | LABEL CAUTION;AD-PJT,-,OPP,-,W60,L30,BLA |       | SNA |
| DA96-00281D | ASSY-W/H DOOR;ET_VE,DISPENSER            |       | SNA |
| DA67-01376C | CAP DOOR-UPP;SBS ALL,NY-66,-,-,-,I-BLACK | RO080 | SNA |
| DA97-04161C | ASSY HANDLE-FOAM DOOR LIST;SKI-BAR,ALUMI |       | SNA |
| DA02-10004D | TAPE-PAPER;-,-,-,W40,1RL,-,-,-           |       | SNA |
| DA62-01141Q | SEAL CUTT;-SPONGE,-,T5,W80,L1000,-       |       | SNA |
| DA63-00058A | GROMMET-SCREW;-NY-6,-,-,-,-,-,-,-        |       | SNA |
| DA97-04362A | ASSY GUIDE-ICE ROUTE;ET-VE,DISP,50mm,-,- |       | SNA |
| 0203-001811 | TAPE-COTTON;140SN,T0.24,W45,ROLL,NTR,-   |       | SNA |
| DA61-02743A | GUIDE ICE-ROUTE,50MM;ET-VE,ABS,T2.0,EXP, |       | SNA |
| DA62-01132F | SEAL CUTT;-FOAM LEX,-,T3,W15,L1000,-     |       | SNA |
| DA97-03764E | ASSY-GASKET DOOR,FRE;ET-PJT,SF-PVC,332X1 | RD012 | SA  |
| DA97-03803F | ASSY-SEAL DOOR FRE;ET-PJT,DISP           |       | SNA |
| DA62-00215F | SEAL CUTT-SPONGE;A-TOP,SPONGE,-,T5,W70,L | RW961 | SNA |
| DA62-00632C | SEAL-CUTT FOAM LEX;BBC-PJT,FOAM-LEX,-,T2 |       | SNA |
| DA62-00717F | SEAL CUTT-FOAM-PE;FOAM-PE,A-TOP,T3,W50,L |       | SNA |
| DA62-00916J | SEAL-CUTT SPONGE;EPEL,SPONGE,-,T10,W20,L |       | SNA |
| DA72-60389V | SEAL CUTT-FOAM PE;ET-PJT,FOAM-PE,-,T3.0, |       | SNA |
| DA72-60424B | SEAL CUTT-SPONGE;-SPONGE,-,T5,-,-,W350,  | RW961 | SNA |
| DA72-60424F | SEAL CUTT-SPONGE;-SPONGE,-,T10,-,-,W400  | RW961 | SNA |
| DA97-03964A | ASSY COVER-PBA PANEL REAR;ET-VE,DISP,-,- | RI169 | SA  |
| 6002-000213 | SCREW-TAPPING;TH,+,-,1,M4,L12,ZPC(YEL),S | RS047 | SA  |
| 6002-000630 | SCREW-TAPPING;PH,+,-,2S,M3,L8,ZPC(YEL),S | RS080 | SA  |
| DA61-01616A | SPRING ETC-LEVER DISP WATER;AD,STS304,-, | RD049 | SA  |
| DA61-01868A | BRACKET-OIL DAMPER;AD,ABS,-,-,-,SC-93437 | RD051 | SA  |
| DA61-01869A | OIL DAMPER;AD,POM,-,120g/Cm,-,OD15,-,-   | RW559 | SA  |
| DA63-03017A | COVER-PBA PANEL REAR;ET-VE,ABS,-,EXP,-,- | RO051 | SA  |

|             |   |       |     |
|-------------|---|-------|-----|
| DA66-00398A | LEVER DISPENSER-ICE;ET-VE,DISP,ABS,EXP,-      | RD022 | SA  |
| DA66-00399A | LEVER DISPENSER-WATER;ET-VE,DISP,ABS,EXP      | RD023 | SA  |
| DA97-04131A | ASSY COVER-ICE ROUTE;ET-VE,DISP,-,-,-,-       | RD068 | SA  |
| DA61-01651B | SPRING ETC-COVER ICE ROUTE;DISP,ET-VE,PI      | RD050 | SNA |
| DA62-00058E | SEAL-COVER ICE,ROUTE;AD,FOAM-LEX,WHITE,T      | RQ677 | SA  |
| DA62-00058F | SEAL-COVER ICE,ROUTE;AD,FOAM-LEX,WHITE,T      | RQ677 | SA  |
| DA63-01970A | COVER-ICE ROUTE A;AD,ABS,T2.5,-,-,-,-,BL      | RD019 | SA  |
| DA63-01971A | COVER-ICE ROUTE B;AD,ABS,T1.8,-,-,-,-,BL      | RD064 | SA  |
| DA63-01972A | GASKET-COVER ICE ROUTE;AD,SILICON,T1.5,-      | RD051 | SA  |
| DA97-03967B | ASSY COVER-DISPENSER;ET-VE,DISP,EXP(EU),      | RD026 | SA  |
| 6002-000630 | SCREW-TAPPING;PH,+,-,2S,M3,L8,ZPC(YEL),S      | RS080 | SA  |
| DA02-10016A | TAPE ETC-AL FOIL;-,-,50UF,W18,-,-,-,-         |       | SNA |
| DA41-00173A | PBA PANEL;A-TOP LOOK,R/F 9mmjæ10mm,FR-4,      | RO052 | SA  |
| DA61-00874A | SUPPORT-KNOB TOUCH,DISP;A-TOP,SILICON,-,      | RI093 | SA  |
| DA62-01132U | SEAL CUTT;-,-,FOAM LEX,-,T3,W460,L1000,-      |       | SNA |
| DA63-03023A | COVER DISPENSER;ET-VE,ABS,T2.5,DISP,EXP,      | RD032 | SNA |
| DA63-03232A | COVER-CONTROL DISPENSER;ET-VE,ABS(CT-051      | RD029 | SA  |
| DA64-00740B | KNOB-TOUCH;A-TOP,ABS,-,-,-,-,SILVER COAT      | RD040 | SA  |
| DA90-01786E | ASSY CYCLE;ET-PJT(RS21/23),240/50,EE,CHI      |       | SNA |
| 0202-000115 | SOLDER-SILVER;BCUP-6,2%,OD2.4,L500,-          |       | SNA |
| 0204-000160 | NITROGEN;-,-,N2,99.99,-                       |       | SNA |
| 0204-000162 | OXYGEN;-,-,O2,99.99,-                         |       | SNA |
| 2501-001186 | C-OIL;5UF,350V,BK,43X55MM,15                  | RO004 | SA  |
| 6002-000213 | SCREW-TAPPING;TH,+,-,1,M4,L12,ZPC(YEL),S      | RS047 | SA  |
| 6006-001170 | SCREW-TAPPING;TH,+,-,WT,TC,M4,L10,ZPC(YEL)    | RS080 | SA  |
| DA02-00038A | ISOBUTANE;C4H10,99.99%,R-600a                 |       | SNA |
| DA02-00039A | PREFLUX-PPG;AMCO440,ALL,-,-,-,-,-,-           |       | DNA |
| DA31-00010D | FAN-ASS'Y;-,-,ET,ZIPEL,ASSY,-,-,UNIT,1Ë150    | RI085 | SA  |
| DA31-00015C | FAN-TURBO;-,-,ET-PJT,ABS+GLASS FIBE,-,-,GR-4  | RI085 | SA  |
| DA61-20128A | SPRING ETC-FAN;-,-,STS304,PI7.8,-,-,OD1.0,-,- | RW716 | SA  |
| DA34-10003V | RELAY PROTECTOR O/L;4TM265RHHBY-53,           | RH005 | SA  |
| DA35-10013B | RELAY-PTC;J531Q35E330M385-2,385V.6A           | RH006 | SA  |
| DA39-00084B | WIRE HARNESS-COMP;-,-,EXP,-,-,-,COMP,NOT      | RH031 | SA  |
| DA41-00388A | PBA MAIN;ET-PJT VE, R600a,-,-,FR-4,1.6T*1     | RO007 | SA  |
| DA60-10004A | SCREW-HEX;HH,+,-,-,M6,L16,ZPC(YEL),SWRCH      | RW664 | SA  |
| DA60-20008A | BOLT-HEX;-,-,S25C,-,-,L42.6,-,-,-,-,-         | RW074 | SA  |
| DA61-00261A | CASE PCB-PANEL;A-TOP,N-ABS,-,-,-,-,-,-        | RO048 | SA  |
| DA61-02657A | CLIP-DRYER;AD,SECC1,T0.4,-,-,-                | RO141 | SA  |
| DA62-01269A | TUBE-PVC;A-TOP,SF-PVC,T0.7,OD19.4,L230,       |       | SA  |
| DA63-01866A | COVER RELAY;SBS,NORYL,-,-,-,-,-,-,-           | RH004 | SA  |
| DA63-02017A | GROMMET-COMP;QUEEN,EPDM,-,-,-,-,-,-,-         | RQ565 | SA  |
| DA63-02212A | COVER-MULTI AIR,GUIDE(ET);ET,HIPS,-,-,-,-     | RW275 | SA  |
| DA63-40171B | GROMMET-SUCT PIPE A;-,-,NBR,OD20,ID4,L20,-    | RH033 | SA  |
| DA63-40171D | GROMMET-SUCT PIPE B;RAIL L19.5,NR,-,-,OD20    | RH034 | SA  |
| DA68-00679M | LABEL-COLOR;A-TOP,-,-,ARTG,-,-,-,-,RED,-,-,2  |       | SNA |
| DA73-00211A | RUBBER-CAP HOSE;I4-PJT,SILICON,-,-,GRAY,-,-   | RW653 | SNA |
| DA73-10190V | PIPE-CONNECT DISC,A;TD-PJT,C1220T 1/2H,-      | RZ020 | SA  |
| DA73-10190W | PIPE-CONNECT DISC B;All Model(SBS/TMF/LM      | RZ019 | SA  |
| DA73-30102F | DRYER-ASSY;A-TOP,CU,¥Ö18.85,-,-,L107,-,-      | RH014 | SA  |
| DA75-90056A | SUB ETC-SOLDER SILVER;-,-,AG30%,PI 2.0,-,-    |       | SA  |
| DA96-00091B | ASSY W/HARNESS-MAIN A;ET-PJT 03,R600a, F      |       | SNA |
| DA96-00207H | ASSY-W/H MAIN B;ET_VE,DISPENSER               |       | SNA |
| DA97-00918A | ASSY PIPE CONNECT;A-TOP,SUCTION               | RO079 | SA  |
| DA72-60040D | SEAL CUTT-RUBBER;-,-,POLYBUTILENE,-,-,-,-,-   | RW960 | SA  |

|               |  |       |     |
|---------------|--|-------|-----|
| DA73-10021A   | TUBE SUCTION;-;C1220T-1/2H,T0.7,OD9.52,L   |       | SNA |
| DA97-03869A   | ASSY TRAY-DRAIN WATER;ET/A-TOP_VE,-,-,-,   | RH003 | SA  |
| 6009-001252   | SCREW-SPECIAL;PH,+,-,M4.0,L20(12),ZPC(YE   | RQ747 | SA  |
| DA62-01132K   | SEAL CUTT;-;FOAM LEX,-,T3,W30,L1000,-      |       | SNA |
| DA62-01236A   | SEAL-SUB CONDENSER;ET/A-TOP_VE,FOAM-PE,-   | RH030 | SNA |
| DA63-03069A   | TRAY DRAIN-WATER;ET/A-TOP_VE,PP,T2.0,-,-   | RH003 | SNA |
| DA97-03962A   | ASSY PIPE-SIPRAL COND;ET/A-TOP_VE,-        |       | SA  |
| 6003-001136   | SCREW-TAPTITE;BH,+,-,B,M4,L8,ZPC(YEL),SWRC | RS080 | SA  |
| DA61-02353A   | BRACKET CONDENSER-SIDE;NEXT,SCP1,T1,-,-,-  |       | SNA |
| DA61-02795A   | BRACKET-CONDENSER UP;ET/A-TOP_VE,SCP1,T1   |       | SA  |
| DA61-02796A   | BRACKET-CONDENSER LOW;ET/A-TOP_VE,SCP1,T   |       | SA  |
| DA62-01271A   | TUBE-STEEL;-;SWST,T0.7,4.76,L14.6m,-,-     |       | SNA |
| DA62-20008A   | TUBE-SHRINKAGE;SR-L5786,PVC,T0.25,ID5.0,   |       | SNA |
| DA63-40128A   | GROMMET-SUB COND;-;NBR,-,-,-,-,-,DARK-     | RH022 | SA  |
| DA63-40171B   | GROMMET-SUCT PIPE A;-;NBR,OD20,ID4,L20,-   | RH033 | SA  |
| DA67-30234A   | CAP-TUBE;-;SILICON,-,-,-,-,-               |       | SNA |
| DA97-03870A   | ASSY SUPPORT-CIRCUIT MOTOR;ET/A-TOP_VE,-   | RO132 | SA  |
| 6003-000003   | SCREW-TAPTITE;BH,+,-,B,M4,L10,ZPC(BLK),S   | RS080 | SA  |
| DA31-00146B   | MOTOR DC-BLDC;DRCP5030LA,ATOP,230mA,-,2.   | RI089 | SA  |
| DA61-02355A   | BRACKET-CIRCUIT MOTOR;NEXT,ABS,-,-,-,WHI   | RH039 | SA  |
| DA61-02788A   | SUPPORT-CIRCUIT MOTOR;ET/A-TOP_VE,ABS,T2   | RF033 | SA  |
| DA62-01137E   | SEAL CUTT;-;FOAM PE,-,T15,W15,L1000,-      |       | SNA |
| DA62-01297A   | SEAL-SUPPORT MOTOR;ET-PJT,FOAM PE,-,T15,   |       | SNA |
| DA63-01146A   | GROMMET-MOTOR,REAR;A-TOP,NBR,-,-,-,ID6.5   | RO138 | SA  |
| DA63-01808A   | GROMMET-MOTOR,FRONT;BLDC,NBR,BLACK,-,-,-   | RO137 | SA  |
| DA63-40167A   | GROMMET-COVER CHIL;T3.0,SILICON,-,-,-,-,-  | RI087 | SA  |
| DA96-00042G   | ASSY-W/HARNESS MOTOR;NEXT-PJT,W/HARNESS    |       | SA  |
| DA97-03971A   | ASSY CHASSIS-COMP;ET-VE,SBHG1,T1.4,-,-,-   | RO002 | SA  |
| DA60-90146A   | PIN-CASTER;MSWR10,OD6.0,L40,ZPC2,SR-289-   | RH019 | SA  |
| DA61-01867A   | BRACKET-COMP;A-TOP,SBHG1,T2.0,-,-,-,-      | RW083 | SNA |
| DA61-40126B   | CASTER-REAR;REF-ALL,PP,-,PI 44,NTR,W22,-   | RH011 | SA  |
| DA64-01808A   | CHASSIS COMP;ET/A-TOP_VE,SBHG1,T1.4,-,-,-  | RO002 | SA  |
| DA97-04045A   | ASSY TUBE-DRAIN;ET-PJT,SOFT-PVC            |       | SA  |
| DA62-01268A   | TUBE-PVC;A-TOP,SF-PVC,T0.7,OD19.4,L215,    |       | SNA |
| DA63-00951C   | GROMMET-DRAIN HOSE;V2-PJT,NBR,-,-,-,-,-    | RW389 | SA  |
| MK4A5QR1U/E09 | COMPRESSOR;15.31cc,220/240V~50Hz,RSCR      | RH002 | SA  |
| DA90-01787A   | ASSY INSERT;ET-PJT(RS21/23),240/50,SS,Y,   |       | SNA |
| 0203-000383   | TAPE-AL FOIL;01-A,T0.04,W200,1RL,NTR       | RO139 | SNA |
| 0203-001152   | TAPE-AL FOIL;DTS-01,T0.06,W100,L100000,S   | RO139 | SNA |
| 4713-001189   | LAMP-INCANDESCENT;240V,-,30W,-,-,-,25x84   | RI081 | SA  |
| 6002-000213   | SCREW-TAPPING;TH,+,-,1,M4,L12,ZPC(YEL),S   | RS047 | SA  |
| 6002-000215   | SCREW-TAPPING;TH,+,-,1,M4.0,L16,ZPC(YEL)   | RS080 | SA  |
| 6003-001144   | SCREW-TAPTITE;BH,+,-,B,M4,L12,ZPC(WHT),S   | RS080 | SA  |
| 6501-000124   | CABLE TIE;DACT-200,-,W4.8,L190,NTR,NYLON   | RO101 | SNA |
| DA02-10014B   | TAPE ETC-AL;ALL MODEL,-,-,T0.03,W50,ROLL   |       | SNA |
| DA34-10110E   | SWITCH DOOR-R;-;Sliding,-,-,250V,-,0.5A,   | RI003 | SA  |
| DA34-10120D   | SWITCH DOOR-F;-;slide,-,-,250V,-,0.5A,-,   | RF041 | SA  |
| DA47-00039B   | HEATER-DRAIN ASSY,REF;-;ET-PJT EXP,-,-,-   | RI066 | SA  |
| DA02-10013B   | TAPE ETC-AL;ALL MODEL,-,-,T0.03,W30,IRL,   |       | SNA |
| DA47-00038B   | HEATER-DRAIN,REF;-;ET-PJT EXP,-,-,-,240V   | RI066 | SA  |
| DA70-00231A   | PLATE-DRAIN,REF;SBHG1,T0.6,-,ET-PJT,-,-,-  | RF026 | SA  |
| DA63-00160A   | COVER-LAMP REF;-;PP,-,-,-,-,-,A            | RI078 | SA  |
| DA63-00162B   | COVER SENSOR-B;ET-PJT,ABS,-,-,-,-,PNC2,-   | RI021 | SA  |
| DA63-00178B   | COVER-SENSOR,A;05E/T-2nd,SAN,T1.5,-,-,-    | RI152 | SA  |

|             |  |       |     |
|-------------|--|-------|-----|
| DA63-03187A | COVER VEG-LOW;ET-PJT,PP,-,-,-,-,WHITE,     | RI009 | SA  |
| DA67-40250E | TRAY-UTILITY;SR-S7185.7335,GPPS,-,-,-,-,   | RW829 | SA  |
| DA72-60040W | SEAL-CUTT RUBBER;TD-PJT,POLYBUTILENE,-,T   |       | SA  |
| DA96-00013N | ASSY EVAP-REF;ET,-,A1100P-H12,-,230V,-,1   | RI016 | SA  |
| 6501-000122 | CABLE TIE;DACT-100,-,W2.5,L101.6,NTR,NYL   | RO101 | SA  |
| 6501-000124 | CABLE TIE;DACT-200,-,W4.8,L190,NTR,NYLON   | RO101 | SNA |
| DA32-00006B | SENSOR ASSY-REF;PX-41C,A TOP,-,10C~35C,5V  | RI098 | SA  |
| DA47-00095A | THERMO FUSE-ASSY;ET-PJT,250V,-,-,-,-,-     | RI074 | SA  |
| DA47-10148J | THERMO FUSE-ASSY A;V2,ATOP,W2,SW-102T,25   | RI074 | SA  |
| DA62-01137W | SEAL CUTT;-,-,FOAM PE,-,T30,W25,L1000,-    |       | SNA |
| DA59-00257P | EVAP REF;ET,-,A1100P-H12,-,230V,-,110W,    | RI016 | SNA |
| DA61-00453A | FIXER-SENSOR;A-TOP,EVAP,PP,-,NTR,ALL       | RM017 | SA  |
| DA62-01137T | SEAL CUTT;-,-,FOAM PE,-,T25,W15,L1000,-    |       | SNA |
| DA96-00090G | ASSY EVAP-FRE;V2-PJT,HFC-134A,A1100P-H12   | RF011 | SA  |
| 0203-001152 | TAPE-AL FOIL;DTS-01,T0.06,W100,L100000,S   | RO139 | SNA |
| 6501-000122 | CABLE TIE;DACT-100,-,W2.5,L101.6,NTR,NYL   | RO101 | SA  |
| 6501-000123 | CABLE TIE;DACT-140,-,W3.6,L146,NTR,NYLON   | RO101 | SA  |
| 6501-000124 | CABLE TIE;DACT-200,-,W4.8,L190,NTR,NYLON   | RO101 | SNA |
| DA02-10014A | TAPE ETC-AL;-,-,T0.05,W50,1RL,-,-,-        |       | SNA |
| DA32-00006B | SENSOR ASSY-REF;PX-41C,A TOP,-,10C~35C,5V  | RI098 | SA  |
| DA47-00095B | THERMO FUSE-ASSY;ET-PJT,-,250V,-,-,-,-,-   | RI074 | SA  |
| DA47-10148J | THERMO FUSE-ASSY A;V2,ATOP,W2,SW-102T,25   | RI074 | SA  |
| DA47-10115D | THERMO FUSE;ATOP-PJT,-,250V,-,77;É,-,10AS  | RI074 | NA  |
| DA62-01137W | SEAL CUTT;-,-,FOAM PE,-,T30,W25,L1000,-    |       | SNA |
| DA59-00288G | EVAP FRE;V2-PJT,HFC-134A,A1100P-H24,-,2    | RF011 | SNA |
| DA60-00092A | SPACER-EVAP FRE;FOAM-LEX,ET-PJT 03,-,-,-   |       | SNA |
| DA61-00603A | FIXER-SENSOR;n-PJT,PP,-,-,-,-              | RM017 | SA  |
| DA62-01132E | SEAL CUTT;-,-,FOAM LEX,-,T3,W10,L1000,-    |       | SNA |
| DA97-00339B | ASSY-PLATE DRAIN,FRE;ET-PJT,230V,41W,-     | RF026 | SA  |
| DA02-10013B | TAPE ETC-AL;ALL MODEL,-,-,T0.03,W30,1RL,   |       | SNA |
| DA47-00092B | HEATER DRAIN-FRE;-,-,ET-PJT,-,-,-,230V,41W | RF025 | SA  |
| DA70-00404A | PLATE-DRAIN FRE;-,-,GALVALUME,-,T0.5,-,-,- | RF026 | SNA |
| DA97-00422C | ASSY CASE-VEG LOW;ET-PJT,Cool-white,EXP,   | RI001 | SA  |
| DA61-01786A | CASE-VEG LOW(ET);ET-PJT,PP,Cool-white,SC   | RI001 | SA  |
| DA63-00175C | COVER-FRONT A(REF);ET-PJT,HIPS,COOL-WHIT   |       | SNA |
| DA63-00177C | COVER-FRONT REF,B;ET-PJT,GPPS,-,-,-,-,-    |       | SNA |
| DA64-00085B | KNOB-MOISTURE CONTROL(ET);ET-PJT,HIPS,Co   | RW520 | SA  |
| DA97-00423C | ASSY CASE-VEG UP;ET-PJT,Cool-white,EXP,-   | RI002 | SA  |
| DA61-01787A | CASE-VEG UP(ET);ET-PJT,PP,Cool-white,SC-   | RI002 | SA  |
| DA63-00175C | COVER-FRONT A(REF);ET-PJT,HIPS,COOL-WHIT   |       | SNA |
| DA63-00177C | COVER-FRONT REF,B;ET-PJT,GPPS,-,-,-,-,-    |       | SNA |
| DA64-00085B | KNOB-MOISTURE CONTROL(ET);ET-PJT,HIPS,Co   | RW520 | SA  |
| DA97-00424C | ASSY CASE-BASKET LOW(ET);ET-PJT,EXP,Cool   | RF001 | SA  |
| DA61-01784A | CASE-BASKET LOW(ET);ET-PJT,PP,Cool-white   | RF001 | SA  |
| DA63-00170C | COVER-FRONT A(FRE);ET-PJT,HIPS,Cool-whit   |       | SA  |
| DA63-00174D | COVER-FRONT FRE,B;ET-PJT,GPPS,-,-,-,-,-    |       | SA  |
| DA97-00425C | ASSY CASE-BASKET UP;ET-PJT,Cool-white,EX   | RF002 | SA  |
| DA61-01785A | CASE-BASKET UP(ET);ET-PJT,PP,Cool-white,   | RF002 | SA  |
| DA63-00170C | COVER-FRONT A(FRE);ET-PJT,HIPS,Cool-whit   |       | SA  |
| DA63-00174C | COVER-FRONT FRE,B;ET-PJT,GPPS,-,-,-,-,-    |       | SA  |
| DA90-01788A | ASSY DAMPER;ET-PJT(RS21/23),EE,-,BLDC,MU   |       | SNA |
| DA97-00101L | ASSY COVER-MULTI FRE(ET);ET-PJT,Dispense   | RF054 | SA  |
| 0203-000214 | TAPE-OPP MASKING;OPP/W50/CLR,T0.05,W50,L   |       | SA  |
| DA32-10105H | SENSOR-ASSY;502AT,K-PJT,-,10~35,5V,5KOHM,  | RS131 | SA  |

|             |  |       |     |
|-------------|--|-------|-----|
| DA62-00220A | SEAL-MULTI FRE;ET-PJT,OJC-3000,BLK,T7.0,     |       | SNA |
| DA62-00290T | SEAL-MULTI AL,FRE;ET-PJT,AL,50UM,W60,L60     |       | SNA |
| DA62-01140D | SEAL CUTT;- ,SPONGE,-,T3,W10,L1000,-         |       | SNA |
| DA63-00363B | COVER EVAP-FRE FRONT;ET-PJT,PP,-,-,-,-       | RF006 | SA  |
| DA70-00215D | PLATE-INS DUCT;PP,ET-PJT,L76,-,-,-,-         |       | SA  |
| DA72-00158F | SEAL EVAP-FRONT FRE,L;- ,NITRONG,-,T2.0,-    |       | SNA |
| DA72-00159E | SEAL EVAP-FRONT,FRE R;- ,NITRONG,-,T2.0,-    |       | SNA |
| DA72-00226C | SEAL-AIR FRE,UPP;ET-PJT,OJC-3000,-,T7,-,     |       | SNA |
| DA72-00245A | INSULATION DUCT-FRE,UPP;ET-PJT,FOAM-PS,-     |       | SNA |
| DA97-00102K | ASSY COVER-MULTI REF(ET);ET-PJT,EXP,Cool     | RI019 | SA  |
| DA02-10005A | TAPE ETC-MASKING;-,-,-,W25,-,-,-,-           |       | SNA |
| DA32-10105H | SENSOR-ASSY;502AT,K-PJT,-10~35,5V,5KOHM,     | RS131 | SA  |
| DA47-00025H | LAMP HOLDER;E14,250V,1A,370,NTR,PBT 5VA,     | RI080 | SA  |
| DA62-01141X | SEAL CUTT;- ,SPONGE,-,T10,W10,L1000,-        |       | SNA |
| DA63-00158B | COVER-MULTI REF(ET);ET-PJT,PP,Cool-white     |       | SA  |
| DA71-00149B | REINF-COVER,MULTI;ET-PJT,GAVALUME,T0.4,-     | RW633 | SA  |
| DA72-00144A | INSULATION;- ,FOAM-PS,-,-,-,-,-,COVER-M      |       | SA  |
| DA72-00154B | SEAL DUCT-REF;ET-PJT,OJC-3007,-,T5,-,-,-     |       | SNA |
| DA72-00156H | SEAL CUTT-SPONGE;ET-PJT,SPONGE,-,T7,W10,     | RW961 | SNA |
| DA72-00156J | SEAL CUTT-SPONGE;ET-PJT,SPONGE,-,T10,W15     | RW961 | SNA |
| DA72-00156U | SEAL-EVAP FRONT,REF;ET,NITRONG,-,T2.0,-,     |       | SNA |
| DA72-00156V | SEAL-EVAP FRONT,REF;ET,NITRONG,-,T2.0,-,     |       | SNA |
| DA97-01486G | ASSY COVER-PURIFIER,R;ET-PJT,-,-,-,-,-       | RI020 | SNA |
| DA02-00111A | CATALYST;A-TOP(SBS),LTC,-,T10,W41,L41,-      | RI077 | SA  |
| DA63-00164H | COVER-PURIFIER,R;ET-PJT,ABS,-,-,-,-,-,CO     | RI020 | SA  |
| DA97-01487G | ASSY COVER-PURIFIER,L;ET-PJT,-,-,-,-,-       | RF014 | SNA |
| DA02-00111A | CATALYST;A-TOP(SBS),LTC,-,T10,W41,L41,-      | RI077 | SA  |
| DA63-00163H | COVER-PURIFIER,L;ET-PJT,ABS,-,-,-,-,-,HG-076 | RF014 | SA  |
| DA97-02088S | ASSY COVER EVAP-FRE;ET-PJT,EXP,BLDC,-,-,-    | RF005 | SA  |
| 6002-000213 | SCREW-TAPPING;TH,+,-,1,M4,L12,ZPC(YEL),S     | RS047 | SA  |
| 6002-000215 | SCREW-TAPPING;TH,+,-,1,M4.0,L16,ZPC(YEL)     | RS080 | SA  |
| 6002-000217 | SCREW-TAPPING;TH,+,-,1,M4,L8,ZPC(YEL),SW     | RS080 | SA  |
| DA02-10005A | TAPE ETC-MASKING;-,-,-,W25,-,-,-,-           |       | SNA |
| DA02-10014B | TAPE ETC-AL;ALL MODEL,-,-,-,T0.03,W50,ROLL   |       | SNA |
| DA31-00053A | FAN-BACKWARD;- ,A-TOP,ABS,-,FRE              | RI150 | SA  |
| DA31-00146E | MOTOR FAN-BLDC;DREP5020LB,BLDC Motor,0.2     |       | SA  |
| DA39-00060B | WIRE HARNESS-MOTOR;-,-,-,-,-,-,F-FAN,-,-     | RF028 | SA  |
| DA61-00417A | CASE MOTOR;A-TOP,ABS SCRAP,-,-,-,-,WHT,SBS   | RF036 | SA  |
| DA61-00549A | PLATE-FAN MOTOR,ASSY;ET-PJT,HIPS,T1.0,W2     | RW606 | SA  |
| DA02-10007B | TAPE ETC-DOUBLE FACE;-,-,-,W10,L10M,-,-,-    |       | SNA |
| DA61-00558A | PLATE-FAN MOTOR;ET-PJT,HIPS,T1.0,W204.5,     | RW605 | SNA |
| DA61-00559A | PLATE-INS DUCT;ET-PJT,HIPS,T1.0,W45,L435     |       | SNA |
| DA61-20128A | SPRING ETC-FAN;- ,STS304,PI7.8,-,OD1.0,-,    | RW716 | SA  |
| DA62-00186A | INSULATION DUCT-FRE;ET-PJT,FOAM-PS,-,-,-     |       | SNA |
| DA62-00188B | SEAL-INS DUCT,FRE;ET-PJT,FOAM-PE+AL,T1.5     |       | SNA |
| DA62-00221A | SEAL DUCT-FRE,C;ET-PJT,FOAM-PE+AL,-,T1.5     |       | SNA |
| DA62-00599A | SEAL-DUCT FRE,B;ET-PJT 03,FOAM-PE,EXP,T3     |       | SNA |
| DA62-00717L | SEAL CUTT-OJC;OJC-3000,ET,-,T5,W15,L50,-     |       | SA  |
| DA62-01135R | SEAL CUTT;- ,FOAM PE,-,T5,W20,L1000,-        |       | SNA |
| DA62-01139D | SEAL CUTT;- ,OJC 3000,-,T5,W15,L1000,-       |       | SNA |
| DA62-01140D | SEAL CUTT;- ,SPONGE,-,T3,W10,L1000,-         |       | SNA |
| DA63-00153E | COVER-EVAP FRE(FRONT LOW);ET-PJT,PP,-,-,-    | RF006 | SA  |
| DA63-01146A | GROMMET-MOTOR,REAR;A-TOP,NBR,-,-,-,-,ID6.5   | RO138 | SA  |
| DA63-01808A | GROMMET-MOTOR,FRONT;BLDC,NBR,BLACK,-,-,-,-   | RO137 | SA  |



|             |   |       |     |
|-------------|---|-------|-----|
| DA63-01809A | COVER MOTOR-BLDC;BLDC-NEW,PP,NTR,-,-,-,-    | RF083 | SA  |
| DA63-02754B | COVER-HOUSING FRE;ET-PJT,GAVA,T0.4,-,-,-    | RF085 | SNA |
| DA63-40167A | GROMMET-COVER CHIL;T3.0,SILICON,-,-,-,-     | RI087 | SA  |
| DA72-00156L | SEAL CUTT-DUCT,FRONT;ET-PJT,SPONGE,-,T5,    |       | SNA |
| DA72-00227A | SEAL-AIR FRE LOW;-OJC-3000,-,T5,W205,L4     |       | SNA |
| DA75-90006A | SCREW-LOCK;S-LOCK,GREEN,1,200;3/4500,VinylS |       | NA  |
| DA97-03334J | ASSY COVER EVAP-REF;ET-PJT,-,BLDC,PRINTI    | RI008 | SA  |
| 6002-000213 | SCREW-TAPPING;TH,+,-,1,M4,L12,ZPC(YEL),S    | RS047 | SA  |
| 6002-000215 | SCREW-TAPPING;TH,+,-,1,M4.0,L16,ZPC(YEL)    | RS080 | SA  |
| 6002-000217 | SCREW-TAPPING;TH,+,-,1,M4,L8,ZPC(YEL),SW    | RS080 | SA  |
| DA02-10005A | TAPE ETC-MASKING;-,-,W25,-,-,-,-            |       | SNA |
| DA02-10013A | TAPE ETC-AL;-,-,T0.05,W30,1RL,-,-,-         |       | SNA |
| DA31-00016A | FAN-CIRCUIT;-ET-PJT,-,-,-,12,¥Ö95,¥Ö63. S   | RO139 | A   |
| DA31-00146E | MOTOR FAN-BLDC;DREP5020LB,BLDC Motor,0.2    |       | SA  |
| DA39-00060G | WIRE HARNESS-MOTOR;ZIPEL,-,-,-,L650,-,-     | RF028 | SA  |
| DA61-00417A | CASE MOTOR;A-TOP,ABS SCRAP,-,-,-,WHT,SBS    | RF036 | SA  |
| DA61-20128A | SPRING ETC-FAN;-,-,STS304,PI7.8,-,OD1.0,-,  | RW716 | SA  |
| DA62-01128H | SEAL CUTT;-,-,FOAM PE,-,T2,W30,L1000,-      |       | SNA |
| DA62-01141B | SEAL CUTT;-,-,SPONGE,-,T5,W15,L1000,-       |       | SNA |
| DA63-00159E | COVER-EVAP REF(ET);ET-PJT,PP,-,-,-,SC-02    | RI008 | SA  |
| DA63-00417A | GROMMET-CASE,MOTOR;ET-PJT,NBR,-,-,-,-,-     |       | SA  |
| DA63-01146A | GROMMET-MOTOR,REAR;A-TOP,NBR,-,-,-,ID6.5    | RO138 | SA  |
| DA63-01808A | GROMMET-MOTOR,FRONT;BLDC,NBR,BLACK,-,-,-    | RO137 | SA  |
| DA63-01809A | COVER MOTOR-BLDC;BLDC-NEW,PP,NTR,-,-,-,-    | RF083 | SA  |
| DA63-02760B | COVER-HOUSING REF;ET-PJT,GAVA,T0.4,-,-,-    | RQ447 | SNA |
| DA64-00214A | TRIM-COVER EVAP;-,-,SOFT-PVC+ABS,-,-,L62,S  | RW885 | SA  |
| DA72-00142A | INSULATION-DUCT;-,-,FOAM-PS,-,-,-,-,-,RE    |       | SNA |
| DA72-00143A | INSULATION-DUCT;-,-,FOAM-PS,-,-,-,-,-,RE    |       | SNA |
| DA72-00155B | SEAL-AL TAPE,FRE;-,-,FOAM-PE+AL,-,-,-,-,T1  |       | SNA |
| DA72-00156C | SEAL CUTT-FOAM PE;M/F,FOAM-PE,-,T5,W8,L2    |       | SNA |
| DA72-00156F | SEAL CUTT-FOAM PE;-,-,SPONGE,-,T5,W8,L860,  |       | SNA |
| DA72-00229A | SEAL-AIR,REF UPP;-,-,OJC-3000,-,T5,-,-,AIR  |       | SNA |
| DA75-90006A | SCREW-LOCK;S-LOCK,GREEN,1,200;3/4500,VinylS |       | NA  |
| DA90-01789A | ASSY ICE MAKER;ET-PJT(RS21/23),240/50,AU    | RM001 | SNA |
| 6002-000213 | SCREW-TAPPING;TH,+,-,1,M4,L12,ZPC(YEL),S    | RS047 | SA  |
| 6002-000215 | SCREW-TAPPING;TH,+,-,1,M4.0,L16,ZPC(YEL)    | RS080 | SA  |
| 6006-001083 | SCREW-TAPPING;PW,TH,+,-,M4,L16,ZPC(YEL),SW  | RS073 | SA  |
| 6502-000112 | CABLE CLAMP;DA-8N,ID13.2,T1.0,NYLON6/6,N    | RW959 | SA  |
| DA29-00003B | FILTER WATER-ASSY;-,-,A-TOP,-,-,86*86*167,  | RI070 | SA  |
| DA59-30103J | ICE MAKER;ZIPEL DOM ET-PJT,DC12 V,-,-,HO    | RM001 | SA  |
| DA31-10138A | MOTOR-EJECT ASSY;RF-370CN-13510,12V,-,40    |       | SNA |
| DA39-20368B | WIRE HARNESS;G-PJT,PCB,DOM,KS,5V,-,KIT,-    | RO129 | SA  |
| DA41-20151B | PBA SUB;ZIPEL,ICE-MAKER,FR-1,54 X 29,S      | RM008 | SA  |
| DA60-10132A | SCREW-TAPPING;PH,+,-,PI3,L15,PASS,STS430    | RS080 | SNA |
| DA61-00524A | GUIDE-ICE FULL;A-TOP,ABS,-,-,-,SC-93437R    | RW447 | SA  |
| DA61-70254A | SUPPORT-GASKET;ICE-MAKER,NBR,T2.0,-,-,-,-   | RW759 | SA  |
| DA63-10950A | COVER-MECHANISM;ICE-MAKER,PC,T3.0,-,-,-,-   |       | SNA |
| DA63-11065A | COVER-SENSOR;SR-S6586/7087,PP,-,-,-,-,-     | RI021 | SA  |
| DA64-40144A | KNOB-TOUCH;ICE-MAKER,NBR,-,-,-,-,-,NTR      | RD040 | SA  |
| DA66-30143A | LEVER-CONTROL;POM,-,ICE-MAKER,-,A,-,NTR     |       | SNA |
| DA66-30144A | LEVER-CONTROL;POM,-,ICE-MAKER,-,B,-,NTR     |       | SNA |
| DA66-90124A | GEAR-THIRD;POM,-,0.8/1.25,37/10,ICE-MAKE    |       | SNA |
| DA66-90125A | GEAR-CAM;POM,-,1.25,34,ICE-MAKER,-          |       | SNA |
| DA66-90126A | GEAR-WORM;PBT,-,0.5,-,ICE-MAKER,-           |       | SNA |

|             |  |       |     |
|-------------|--|-------|-----|
| DA66-90127A | GEAR-FIRST;POM,-,0.5/0.5,16/40,ICE-MAKER   |       | SNA |
| DA66-90128A | GEAR-SECOND;POM,-,0.5/0.8,40/10,ICE-MAKE   |       | SNA |
| DA67-10423A | CASE-MECHANISM;;ABS,-,-,-,T3.0             |       | SNA |
| DA67-40334A | TRAY-ICE;SR-S6586/S7087,PP,T1.0,-,-,-      | RM011 | SA  |
| DA71-20285A | FIXER-SENSOR;SR-S6586/7087,URETHAN,-,-     | RM017 | SA  |
| DA60-30104A | NUT-WATER LINE A;,-,-,-,NY-6,SR-S7180,-    | RF042 | SA  |
| DA60-30105A | NUT-WATER LINE B;,-,-,-,NY-6,SR-S7180,-    | RF043 | SA  |
| DA61-00195B | SUPPORT-FILTER TUBE ASSY;ET-PJT,HIPS,-,-   |       | SNA |
| DA61-00186A | SUPPORT-FILTER TUBE;ET-PJT,PP,T2.0,-,-,-   |       | SNA |
| DA72-00338A | SEAL-TUBE FILTER,FRONT;ZIPEL,FOAM-PE,-,T   |       | SNA |
| DA72-00339A | SEAL-TUBE FILTER,REAR;ZIPEL,SPONGE,-,T5.   |       | SNA |
| DA61-01797A | FIXER GROMMET-DOOR;T3-PJT,ABS,-,SC-02740   | RH020 | SA  |
| DA62-20111B | TUBE-FITTING;POM,-,-,-,SRS6580Z,OD8.1      | RO087 | SA  |
| DA63-00364A | COVER LAMP-FRE,A;ET-PJT,PP,-,-,-,FUL       | RF031 | SA  |
| DA63-00586A | COVER-TUBE FILTER;ZIPEL,PP,T2.0,-,-,-,SC   | RW303 | SA  |
| DA63-03111A | COVER-CHUTE ICE;ET-VE,PP,DISP,EXP,-,-,-    |       | SA  |
| DA65-20110B | CLAMP;,-,NY-66,-,-,-,DN-5N,PI8.0           | RW211 | SA  |
| DA71-20207A | FIXER-VALVE WATER A;SR-S7180,NY-6,OD7.8    |       | SA  |
| DA71-20208A | FIXER-VALVE WATER B;SR-S7180,NY-6,OD6.1    |       | SA  |
| DA72-00228B | SEAL-WATER PIPE;ET-PJT,FOAM-PE,-,T10,L80   |       | SNA |
| DA74-40149C | VALVE WATER-ASSY;-,-,-,-,RIV-12A-4,220     | RO089 | SA  |
| DA97-00209B | ASSY PIPE-WATER FRE;ET-PJT,240V,7W         | RF018 | SA  |
| 6501-000123 | CABLE TIE;DACT-140,-,W3.6,L146,NTR,NYLON   | RO101 | SA  |
| DA47-00035A | HEATER--WATER,PIPE;-,-,ET-PJT,-,7.0W,-,240 |       | SA  |
| DA60-30104A | NUT-WATER LINE A;,-,-,-,NY-6,SR-S7180,-    | RF042 | SA  |
| DA63-01701A | GROMMET-TUBE WATER,FILL IN;ET-PJT,SILICO   | RF025 | SA  |
| DA71-20208A | FIXER-VALVE WATER B;SR-S7180,NY-6,OD6.1    |       | SA  |
| DA72-00261C | SEAL-TUBE,FOAM PE;ET-PJT,FOAM-PE,-,-,-,L   |       | SNA |
| DA72-00387A | SEAL-PIPE,WATER;ET-PJT,FOAM-PE,-,T3,-,-    |       | SNA |
| DA73-00070V | PIPE-WATER LINE;ET-PJT,PB(4137),-¥Ö6.35    | RO090 | SA  |
| DA73-00134A | PIPE-WATER FRE,ASSY(SUB);ET-PJT,AL,-,?15   | RF018 | SA  |
| DA73-00063A | PIPE-WATER;-,-,PP,-,-,-,-,-                | RF018 | SNA |
| DA73-00133A | PIPE--AL;-,-,AL,-,?15.8,L150,T1.0,-,-      | RW566 | SNA |
| DA97-00670D | ASSY TANK WATER;A-TOP,HDPE,-,-,-,-,-,-     | RI043 | SA  |
| 6501-000123 | CABLE TIE;DACT-140,-,W3.6,L146,NTR,NYLON   | RO101 | SA  |
| DA62-00649A | PIPE-SLEEVE;OD4.7,NYLON,ID3.0,L90,WATER-   | RW570 | SNA |
| DA62-01141B | SEAL CUTT;-,-,SPONGE,-,-,T5,W15,L1000,-    |       | SNA |
| DA72-00261A | SEAL-TUBE,FOAM PE;ET-PJT,FOAM-PE,-,-,-,L   |       | SNA |
| DA72-00261B | SEAL-TUBE,FOAM PE;ET-PJT,FOAM-PE,-,-,-,L   |       | SNA |
| DA73-00070W | PIPE-WATER LINE;ZIPEL,LDPE,-,OD¥Ö7.93,L1   | RO090 | SA  |
| DA73-00070X | PIPE-WATER LINE;ZIPEL,HDPE,-,OD¥7.93,L70   | RO090 | SA  |
| DA74-00039A | TANK WATER;-,-,-,-,-,-,-,-                 | RI043 | SNA |
| DA97-00724E | ASSY COVER-FILTER;A-TOP,Insert-filter,EX   | RI068 | SA  |
| DA63-00763B | COVER-FILTER;A-TOP,HIPS,Cool-white,SC-00   | RI068 | SA  |
| DA99-00931B | ASSY LABEL-CASE FILTER;A-TOP,ART,ENGLISH   |       | SNA |
| DA97-00979B | ASSY COVER-PIPE WATER;ET-PJT,PP,-,-,-,-,-  | RO119 | SA  |
| DA62-01136Z | SEAL CUTT;-,-,FOAM PE,-,T10,W50,L1000,-    |       | SNA |
| DA63-00476A | COVER-PIPE-WATER;ET-PJT,PP,-,-,-,-,WHT,-   | RO115 | SA  |
| DA72-00228C | SEAL-WATER PIPE;ET-PJT,FOAM-PE,-,T10,L80   |       | SNA |
| DA97-01469N | ASSY-INSTALL FILTER;ET,DISP,FITTING HOSE   | RI069 | SA  |
| 0203-000399 | TAPE-TEFLON;-,-,T0.05,W13,ROLL,WHT,-       | RW958 | SNA |
| 6002-000213 | SCREW-TAPPING;TH,+,-,1,M4,L12,ZPC(YEL),S   | RS047 | SA  |
| DA65-20110B | CLAMP;-,-,NY-66,-,-,-,DN-5N,PI8.0          | RW211 | SA  |
| DA68-00007C | LABEL-BAR CODE;SBS,-,Paper,-,W15,L45,-,-   |       | SNA |

|             |   |       |     |
|-------------|---|-------|-----|
| DA68-01475B | LABEL-PE-BAG;DISP,ART,INSTALLATION,EXP,-              |       | SNA |
| DA69-90113Z | BAG ACCESSORY;A-TOP,W300,L400,ZIPPER,-,-              |       | SA  |
| DA73-00180A | PIPE-CONNECT WATER PACKING;ET-PJT,BRASS,              | RC001 | SA  |
| DA80-00002C | WRENCH-SPANNER;SAPPHIRE,SM45C,-,-,-,Ni                |       | SA  |
| DA97-00753A | ASSY PIPE-WATER;A-TOP,INVERTER                        | RF018 | SA  |
| DA73-00070Q | PIPE-WATER LINE;ZIPEL,LLDPE,-,6.0,L5000,              | RO090 | SA  |
| DA74-00070A | VALVE-FITTING-NUT;ET-PJT,CU,-,-,-,-                   | RW915 | SA  |
| DA74-00080A | VALVE-FITTING PU;ZIPEL,(C3604BD-F)+BN,-,-             | RW914 | SA  |
| DA97-01666L | ASSY CASE-FILTER;A-TOP,-,-,-,-,NTR,-                  | RI006 | SNA |
| 6001-001458 | SCREW-MACHINE;TH,+M5,L21.0,PASS,STS304,               | RS021 | SA  |
| DA61-01470A | CASE-FILTER OUT;A-TOP,ABS,-,-,-,NTR,HG-0              |       | SA  |
| DA61-01471A | CASE-FILTER OIN;A-TOP,ABS,-,-,-,NTR,HG-0              |       | SA  |
| DA63-00588B | GROMMET-TUBE,FILTER;-NBR,T2.0,-,-,-,-,N               |       | SNA |
| DA67-00466B | CAP-SUPPORT FILTER;A-TOP,PP,-,-,-,-,NTR,-             |       | SNA |
| DA69-00178B | PACKING-RING;ET-PJT,NBR,-,-,-,-,-,BLACK,              |       | SNA |
| 0205-001100 | GREASE-SILICON;DOW CORNING 111,SILICON,1              | RW364 | DNA |
| DA69-00178C | PACKING-RING;A-TOP,OTHER-EP-50,-,2.62,-,              |       | SNA |
| DA70-00288A | PLATE-BOTTOM;ET-PJT,SCP1,T3.0,-,-,-,-,Ni+C            | RW588 | SNA |
| DA71-00203A | FIXER-FILTER;ET-PJT,ABS,-,WHT,ABS(PC)                 |       | SA  |
| DA73-00070Y | PIPE-WATER LINE;A-TOP,LLDPE,-,OD $\varnothing$ 6.35,L | RO090 | SA  |
| DA73-00070Z | PIPE-WATER LINE;A-TOP,LLDPE,-,OD $\varnothing$ 6.35,L | RO090 | SA  |
| DA74-00070A | VALVE-FITTING-NUT;ET-PJT,CU,-,-,-,-                   | RW915 | SA  |
| DA97-03418B | ASSY SUPPORT-ICE MAKER;ET,-,-,-,Cool-whi              |       | SA  |
| DA61-70253B | SUPPORT-ICE MAKER;SR-S6580/7080/7580,HIP              | RM010 | SA  |
| DA71-20270A | FIXER-CASE RUBBER;SR-S6586,NBR,T2.5,SD-8              | RT055 | SA  |
| DA97-03897A | ASSY CASE-AUGER MOTOR;ET-VE,-,-,-,-,220~              | RF034 | SNA |
| 4713-001189 | LAMP-INCANDESCENT;240V,-,30W,-,-,-,25x84              | RI081 | SA  |
| 6001-000033 | SCREW-MACHINE;TH,+M4,L10,PASS,STS304,                 | RO108 | SNA |
| 6002-000473 | SCREW-TAPPING;TH,+M4,L14,PASS,STS30                   | RS080 | SA  |
| 6501-000122 | CABLE TIE;DACT-100,-,W2.5,L101.6,NTR,NYL              | RO101 | SA  |
| DA31-00105C | MOTOR GEARD-AUGER;-ISG-3240SSH,1.0A,50H               | RF039 | SA  |
| DA39-00083A | WIRE HARNESS-SUB;-,-,EXP,-,-,-,FULL,-,-,              | RW944 | SA  |
| DA47-40112V | LAMP HOLDER;E14,250V,1A,-,-,PBT 5VA,UL-S              | RI080 | SA  |
| DA60-00001B | SCREW-SPECIAL;HEX,-,-,-,L8.3,PASS,STS304              | RS036 | SA  |
| DA60-90137A | PIN-SPRING A;STS304,-,L22,SR-S7180,-,-                | RF044 | SA  |
| DA60-90137B | PIN-SPRING B;STS304,-,L16,SR-S7180,-,-                | RF045 | SA  |
| DA61-02794A | CASE-AUGER MOTOR;ET-VE,PP,T2.0,-,-,-,-                | RF034 | SA  |
| DA61-20140A | SPRING ETC-SOLENOID;SR-S7180,STS304,PI7.              | RW735 | SA  |
| DA61-60001A | SLIDER-SOLENOID DISP;-POM,-,-,-,-,-                   | RW700 | SA  |
| DA63-03072A | COVER-LAMP;ET-VE,PP,T2.0,-,-,-,-,-                    | RI078 | SA  |
| DA63-90008A | BUSH-SOLENOID;-POM,-,-,-,-,SC-93438R,-                | RW111 | SA  |
| DA66-90003A | GEAR-SOLENOID;POM,-,-,-,-,SC-93438R                   | RW358 | SA  |
| DA68-00679A | LABEL-COLOR;-ARTG+OPP,-,-,-,Ø20,-,-,-,YE              |       | SA  |
| DA70-20017A | PLATE-D/AUGER DISP;-STS304,-,L127XD14.4               | RW595 | SA  |
| DA71-00163A | FIXER-NUT;ZIPEL,STS420,T1,-,CLIP,STS420-              |       | SA  |
| DA72-60348A | SEAL-FOAM PE;SR-S7180,FOAM-PE,BLK,T30,-,              | RW961 | SA  |
| DA74-40151F | VALVE-SOLENOID;SR-S6586B,-,-,-,-,CUBE-SN              | RO088 | SA  |
| DA97-03898C | ASSY TRAY-ICE BUCKET;ET-VE,-,-,-,-,Label              | RF004 | SA  |
| 6001-000033 | SCREW-MACHINE;TH,+M4,L10,PASS,STS304,                 | RO108 | SNA |
| 6002-000215 | SCREW-TAPPING;TH,+M4,L16,ZPC(YEL)                     | RS080 | SA  |
| DA31-20121B | BLADE-STATIONARY DISP OUT;A-TOP,STS304,T              |       | SNA |
| DA31-20122B | BLADE-STATIONARY DISP IN;A-TOP,STS304,T2              |       | SA  |
| DA60-30108A | NUT-HEX;HEX,-,-,-,POM,-,AURGER                        | RW554 | SA  |
| DA60-40116A | WASHER-PLAIN;-ID20,OD28,T0.5,-,-,-,-,STS4             | RW919 | SA  |

|             |  |       |     |
|-------------|--|-------|-----|
| DA60-90125A | RING;SK-5H,-,-,SR-S7180,-                | RF076 | SA  |
| DA60-90135A | PIN;STS304,OD2.4,L51.7,SR-S7180,-,       |       | SNA |
| DA60-90136A | PIN-SPIRAL;STS304,OD5.2,L40,SR-S7180,-,- | RM016 | SA  |
| DA61-01662A | BLADE-MOVING A;AD,STS304,-,-,T2.0        |       | SNA |
| DA61-01663A | BLADE-MOVING B;AD,STS304,-,-,T2.0        |       | SNA |
| DA61-01664A | BLADE-MOVING C;AD,STS304,-,-,T2.0        |       | SNA |
| DA61-20124A | SPRING ETC-DISPENSER;SR-S7180,STS304,PI0 | RW709 | SA  |
| DA61-20139A | SPRING ETC-ICE MAKER;SR-S7180,STS304,PI5 | RM009 | SA  |
| DA63-00181C | COVER-ICE BURKET,B;ET-PJT,PP,-,-,-,-,C   | RF013 | SA  |
| DA63-03071A | TRAY ICE-BUCKET;ET-VE,HIPS,T2.0,-,-,-,-, | RM012 | SA  |
| DA63-03073A | COVER-ICE BUCKET;ET-VE,ABS,T2.0,-,-,-,-, | RF012 | SA  |
| DA63-10016A | COVER-CRUSHER DISP;-PC-ABS,-,-,-,-,-,    | RF035 | SA  |
| DA63-40167A | GROMMET-COVER CHIL;T3.0,SILICON,-,-,-,-, | RI087 | SA  |
| DA65-00038A | CLAMPER CORE-HELIX;QUEEN,PC,-,-,-,GE-OEM | RF104 | SNA |
| DA65-00039A | CLAMPER CORE;QUEEN,STS304,-,-,-,GE-OEM   |       | SNA |
| DA66-00388A | LEVER-CUBE;ET-VE,MSWR10,-,-,-,-,-        |       | SA  |
| DA71-20231A | FIXER-GUARD;SR-S7180,POM,-,-,DELIN500LC  |       | SA  |
| DA71-70003A | GUIDE-ICE DISPENSER;-PC/ABS,-,-,-,-,-    | RW446 | SA  |
| DA72-60313A | SEAL-POM;SR-S7183,POM,W9236E DELIN500L   |       | SNA |
| DA72-60314A | SEAL-POM;SR-S7184,POM,W9236E DELIN500L   |       | SNA |
| DA99-01227B | ASSY LABEL-COVER-ICE BUCKET;NEXT,OPP     |       | SA  |
| DA90-01790C | ASSY SHELF;ET-PJT(RS21/23),GLASS,GLASS,S | RI037 | SNA |
| 6003-001144 | SCREW-TAPTITE;BH,+,-,B,M4,L12,ZPC(WHT),S | RS080 | SA  |
| DA63-02963A | TRAY CHIL ROOM;ET-PJT,SAN,-,-,-,-,-      | RI018 | SA  |
| DA67-00148G | SHELF REF-LOW(ET);ET-PJT,HIPP,-,-,-,SC-0 | RI039 | SA  |
| DA67-00177X | SHELF GLASS;ET-PJT,GLASS,T3.2,448,325,-, |       | SNA |
| DA67-00149D | SHELF REF-UPP(ET);ET-PJT,HIPP,-,-,-,SC-0 | RI041 | SA  |
| DA67-00177X | SHELF GLASS;ET-PJT,GLASS,T3.2,448,325,-, |       | SNA |
| DA97-00199X | ASSY-SHELF REF FOLD;ET-PJT,HIPP,COOL-WHI | RI167 | SA  |
| 6002-000623 | SCREW-TAPPING;FH,+,-,1,M4,L12,ZPC(YEL),S | RS080 | SNA |
| DA61-01235B | REINF-SHELF R;ET-PJT,SECC1,-,-,-,COOL WH | RE055 | SA  |
| DA61-01236B | REINF-SHELF L;ET-PJT,SECC1,-,-,-,WHITE,F | RD003 | SA  |
| DA67-00900D | SHELF REF-FOLD B(ET);ET-PJT,ABS(QSD-0160 |       | SNA |
| DA67-00901D | SHELF REF-FOLD A(ET);ET-PJT,ABS(QSD-0160 |       | SNA |
| DA97-01247B | ASSY RAIL-LOW L(ET);ET-PJT,Cool-white,SC | RI033 | SA  |
| DA61-60179B | RAIL-LOW L(ET);ET-PJT,HIPS,-,-,-,COOL-WH | RI033 | SA  |
| DA63-40256B | GROMMET-RAIL;T1.5,NY-66,-,-,-,-,-,WHT    | RI088 | SA  |
| DA97-01248B | ASSY RAIL-LOW R(ET);ET-PJT,Cool-white,SC | RI034 | SA  |
| DA61-60180B | RAIL-LOW R(ET);ET-PJT,HIPS,-,-,-,COOL-WH | RI034 | SA  |
| DA63-40256B | GROMMET-RAIL;T1.5,NY-66,-,-,-,-,-,WHT    | RI088 | SA  |
| DA97-01932E | ASSY SHELF FRE-LOW(ET);ET-PJT,NON PRINT  | RF087 | SA  |
| DA64-00090A | TRIM-SHELF;-HIDP,-,T1.0,-,-,-            | RI079 | SA  |
| DA67-00146B | SHELF-FRE LOW(ET);ET-PJT,HIPS,Cool-white | RF022 | SA  |
| DA67-00177W | SHELF GLASS;ET-PJT,GLASS,T3.2,280.5,289, |       | SNA |
| DA97-01962C | ASSY SHELF FRE-MID(ET);ET-PJT,NON PRINT  | RF088 | SA  |
| DA64-00090A | TRIM-SHELF;-HIDP,-,T1.0,-,-,-            | RI079 | SA  |
| DA67-00175B | SHELF-FRE;ET-PJT,HIPS,Cool-white,SC-0027 | RF021 | SA  |
| DA67-00177U | SHELF GLASS;ET-PJT,GLASS,T3.2,280.5,300, |       | SNA |
| DA90-01791B | ASSY GUARD;ET-PJT(RS21),1PC,SS,SS,Y,-,-, | RF088 | SNA |
| DA63-00590E | GUARD REF-LOW(50);ET-PJT,PP,EXP,Cool-whi | RE025 | SA  |
| DA63-00635E | GUARD REF-UP(50);ET-PJT,EXP,COOL-WHITE,S | RE024 | SA  |
| DA63-01863J | GUARD FRE-UP;ET50MM,HIPP,-,-,-,COOL-WHIT | RD017 | SA  |
| DA63-01864H | GUARD FRE-LOW(50);ET 04,No-silk,Cool-whi | RD016 | SA  |
| DA71-00090A | GUIDE-BOTTLE REF;ET-PJT,PP,T2.5,-,-,-,-  | RE021 | SA  |

|                  |  |       |    |
|------------------|--|-------|----|
| .....DA97-00904C | ASSY COVER-GUARD;ET-PJT,50mm,-,-,-,-,-,-,- |       | SA |
| .....DA63-02966A | COVER-GUARD;ET-PJT,GPPS,-,-,-,-,-,NTR,-    | RD018 | SA |
| .....DA73-00216A | RUBBER-COVER GUARD;ET-PJT,SILICON,-,WHIT   | RW654 | SA |

List Print Close