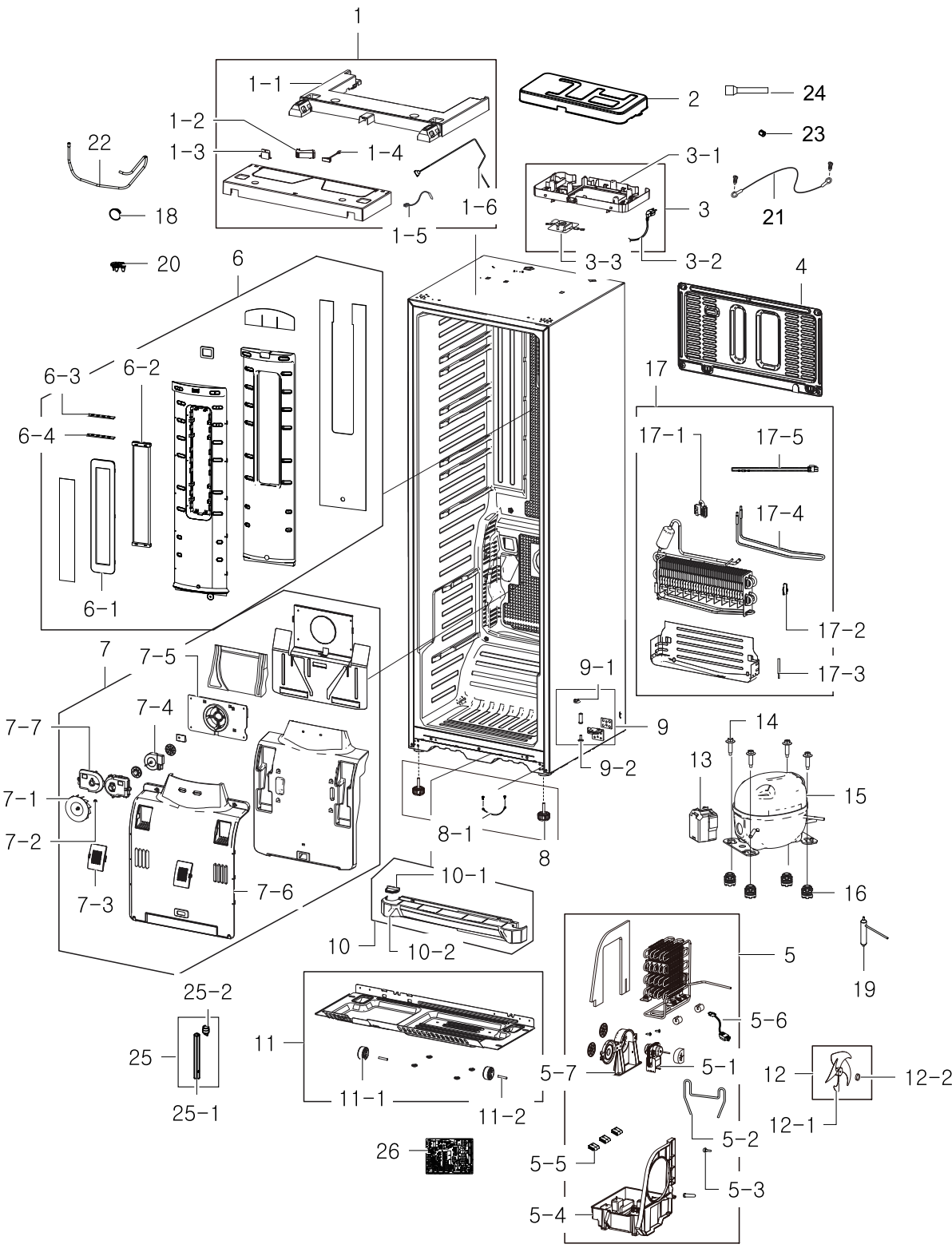


1. Fridge

Exploded View



Parts List

No.	Lvl.	Loc.	Material Code	Description & Specification	SNA	Qty.
1	2	RO264	DA97-07640D	ASSY TOP-TABLE FRONT; TWIN,INOX	SA	1
1-1	3	RO275	DA64-02883D	TOP TABLE-REAR; TWIN,ABS,INOX,SC-06034R	SNA	1
1-2	3	RO454	DA63-04855D	COVER-WIRE HINGE L; TWIN-PJT,PP,T1.8,-,-	SA	1
1-3	3	RO184	DA67-02269D	CAP-TOP TABLE; TWIN,ABS,INOX,SC-06034R	SA	1
1-4	3	RY459	DA34-00043C	SWITCH REED-ASS'Y; 200VDC,1.5A,-	SA	1
1-5	3	RR347	DA32-10109X	SENSOR TEMP; PX-41C,502AT-2,A-TOP,-,5V,-	SC	1
1-6	3	RO200	DA96-00285F	ASSY W/HARNESS-CABI; TWIN,DISPENSER	SA	1
2	2	RO286	DA63-04829A	COVER PCB-PANEL; TWIN-PJT,SBHG1,T0.6	SA	1
3	2	RR437	DA97-07464A	ASSY CASE-PCB PANEL; TWIN-PJT,Fridge	SA	1
3-1	3	RO285	DA61-05059A	CASE PCB-PANEL; TWIN-PJT,N-PP,-,-,-,NTR,-	SA	1
3-2	3	RK076	DA39-10115D	CBF-POWER CORD; UCP-2,250V,10/16A,L2100,-	SA	1
3-3	3	RR027	DA27-00009G	COIL CHOKE-EMI FILTER; AW3-PJT,4mH,50*38,	SA	1
4	2	RH001	DA97-07461C	ASSY COVER COMP; TWIN-PJT,ASSY	SA	1
5	2	RH003	DA97-07418H	ASSY TRAY-DRAIN WATER; TWIN-PJT	SA	1
5-1	3	RR088	DA31-00146B	MOTOR BLDC; DRCP5030LA,1550,DC12V,230mA,-	SC	1
5-2	3	RH067	DA61-05424A	FIXER-PIPE TUBE; TWIN-PJT,AL	SA	1
5-3	3	RR066	DA63-40167A	GROMMET-COVER CHIL; SILICON,L16,WHITE	SA	1
5-4	3	RH885	DA63-04832B	TRAY DRAIN-WATER; TWIN-PJT,PP SCRAP,Non C	SA	1
5-5	3	RH022	DA63-40128A	GROMMET-SUB COND; -,NBR,-,-,-,-,-,DARK-	SA	2
5-6	3	RY713	DA39-00060F	WIRE HARNESS-MOTOR; -,-,-,-,-,-,C-FAN(BLD	SA	1
5-7	3		DA61-03653B	BRACKET-MOTOR; TD-PJT,PP,NTR,PP SCRAP	SA	1
6	2	RG173	DA97-07475D	ASSY COVER MULTI-REF LED; TWIN_35, LED,PP	SA	1
6-1	3	RI499	DA67-02221A	CAP-LAMP LED REF; TWIN-PJT,PP,-,-,-,NTR,B	SA	1
6-2	3	RF515	DA63-04854A	COVER-LAMP LED; TWIN-PJT,GPPS,-,-,-,-,-	SA	1
6-3	3	RK390	DA41-00519F	PBA-LED LAMP; 12V,65*10*1.6T ,3EA,100mm,T	SA	1
6-4	3	RK391	DA41-00519G	PBA-LED LAMP; 12V,65*10*1.6T,TWIN	SA	1
7	2	RI008	DA97-07385E	ASSY COVER EVAP-REF; TWIN-PJT,BLDC,220V~2	SA	1
7-1	3	RK183	DA31-00123A	FAN-BACKWARD; USP 05,ABS,HP0760/2.0mmAq/0	SC	1
7-2	3	RR053	DA61-20128A	SPRING ETC-FAN; STS304,PI8.8,ID7.8,OD9.8,	SA	1
7-3	3	RI500	DA63-02707A	COVER-PURIFIER; NEXT,PP,-,-,-,-,-,SC-0274	SA	1
7-4	3	RF431	DA31-00146E	MOTOR FAN-BLDC; DREP5020LB,0.267,3.2,2520	SA	1
7-5	3	RY172	DA61-00417A	CASE MOTOR; A-TOP,ABS,-,-,-,NTR,SBS	SA	1

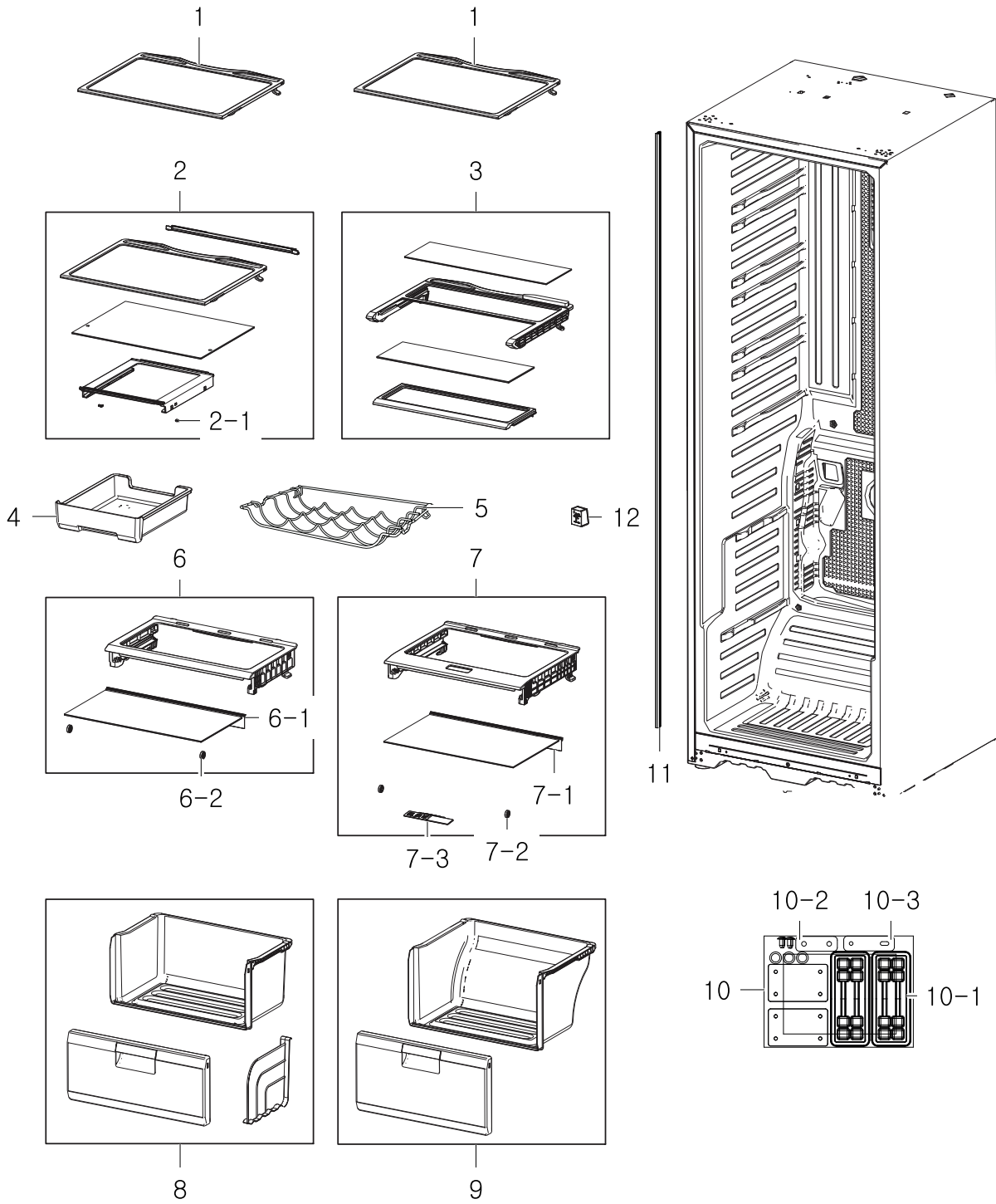
No.	Lvl.	Loc.	Material Code	Description & Specification	SNA	Qty.
7-6	3	RG175	DA63-04847A	COVER-EVAP REF; TWIN-PJT,PP,-,-,-,-,COO	SA	1
7-7	3	RF455	DA63-01809B	COVER MOTOR-BLDC; AT,PP,NTR,CNTK-P-100,PP	SA	1
8	3	RO100	DA61-00805F	FOOT-FRONT; REF-ALL,PP+MSWR10,BLACK,PP_S	SA	2
8-1	3	RK925	DA39-00429A	WIRE HARNESS-EARTH; YellowGreen,ST710489-	SC	1
9	2	RO038	DA97-07375A	ASSY HINGE LOW-R; TWIN-PJT,RIGHT	SA	1
9-1	3	RR981	DA66-00401A	CAM-RISER; SAPPHIRE-PJT,NY-66,BLACK,2110R	SA	1
9-2	3	RR332	6009-001548	SCREW-SPECIAL; FH,HEX,-,M6,L20,ZPC3(WHT),	SA	1
10	2	RO003	DA97-07462D	ASSY COVER LEG FRONT; TWIN-PJT,PP,INOX(SC	SA	1
10-1	3	RO261	DA67-02216D	CAP-HINGE LOW; TWIN-PJT,PP,INOX(SC-06034R	SA	1
10-2	3	RO287	DA63-04830D	COVER LEG-FRONT; TWIN-PJT,PP,INOX(SC-0603	SA	1
11	2	RO002	DA97-07465A	ASSY CHASSIS-COMP; TWIN-PJT,SBHG1,T1.0,-,	SA	1
11-1	3	RR242	DA61-40126B	CASTER-REAR; REF-ALL,PP,NATURAL	SC	2
11-2	3	RH064	DA60-90146A	PIN-CASTER; SR-289-429,MSWR10,OD6.0,L38,Z	SA	2
12	2	RI085	DA31-00010B	FAN-ASSY; -,P,S-P/J,ASSY,-,UNIT,120	SA	1
12-1	3	RG064	DA31-20102C	FAN SIROCCO; -,P,S-P/J,ABS,-,UNIT,120,HR0	SA	1
12-2	3	RR053	DA61-20128A	SPRING ETC-FAN; STS304,PI8.8,ID7.8,OD9.8,	SA	1
13	2	RH015	DA63-01866A	COVER RELAY; NORYL,T2.0,SSEC,BLACK,HOOK	SA	1
14	2	RR965	DA60-20008A	BOLT-HEX; SWCH45K, WHITE,ZPC	SA	4
15	2	RH002	MSS470QL1U/E01	COMPRESSOR; 220-240V~50HZ,RSCR,STATIC		1
16	2	RH732	DA63-02017A	GROMMET COMP; QUEEN,EPDM,BLACK	SA	4
17	2	RI016	DA96-00569G	ASSY EVAP REF; TWIN-PJT,REF,230V	SA	1
17-1	3	RK215	DA61-00603A	FIXER-SENSOR; n-PJT,PP,-,-,-	SA	1
17-2	3	RU391	DA61-06809A	FIXER-HEATER; TWIN-PJT,PP,NTR	SA	1
17-3	3	RF465	DA32-00006D	SENSOR TEMP-F DEF SENSOR; PX-41C,502AT-2,	SA	1
17-4	3	RF205	DA47-00299A	HEATER-METAL SHEATH REF; TWIN REF,110W,23	SA	1
17-5	3	RR342	DA47-00301F	THERMO FUSE-ASSY; TWIN,250V,10A,109~110	SA	1
18	2	RK037	DA67-30266K	CAP-SCREW; A-TOP,PP,SC-02740R,-,-,Cool-wh	SA	2
19	2	RC050	DA62-02614E	DRYER-SINGLE; HAEMIL_10,C1220T,OD18.7,L10	SA	1
20	2	RO354	DA35-00008U	RELAY PROTECTOR O/L; 4TM110PHBYY-53,ST3.1	SA	1

Exploded Views and Parts List

No.	Lvl.	Loc.	Material Code	Description & Specification	SNA	Qty.
21	2	RK934	DA39-20389L	WIRE HARNESS-EARTH; 1,YELLOW/GREEN,ST 710	SC	1
22	2	RT094	DA97-07673A	ASSY PIPE CONNECT-SUCTION; TWIN-PJT	SA	1
23	2	RX042	DA63-40171D	GROMMET-SUCT PIPE B; RAIL L20,NR,ID5.5,OD	SA	1
24	2	RH026	DA73-10190U	PIPE-CONNECT DISC,B; TD-PJT,C1220-T,OD6.3	SA	1
25	2	RR859	DA97-06589A	ASSY TUBE-DRAIN; MT-PJT,SOFT-PVC,NBR(BLAC	SA	1
25-1	3	RK899	DA62-01265A	TUBE-PVC; W2-PJT,SF-PVC,T0.7,OD20.2,L206,	SA	1
25-2	3	RO162	DA63-00951C	GROMMET-DRAIN HOSE; V2-PJT,NBR,BLACK	SA	1
26	1	RY475	DA41-00611A	ASSY PCB MAIN; TWIN-PJT,ASSY CYCLE,FR-1,1	SA	1

2. Fridge2

Exploded View

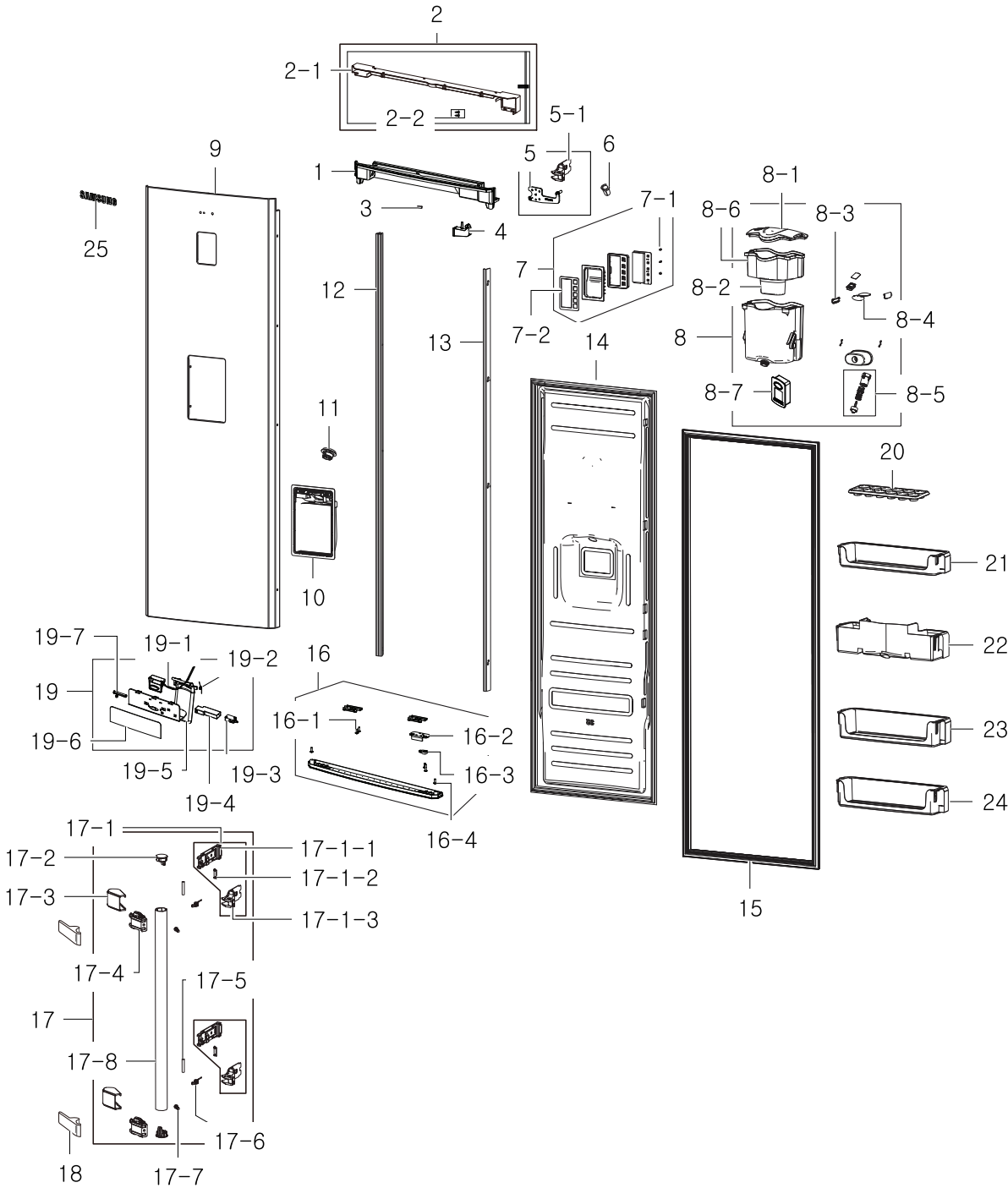


Parts List

No.	Lvl.	Loc.	Material Code	Description & Specification	SNA	Qty.
1	2	RI650	DA67-01446B	SHELF REF; CORE(NORMAL),PP+GLASS,-,W365.4	SA	2
2	2	RI266	DA97-07456B	ASSY SHELF-DELI BIN; TWIN,NORMAL	SA	1
2-1	3	RK248	DA63-40305A	GROMMET-RAIL; CHILLED,NY-6,-,-,-,-,-,-,-	SA	2
3	2	RI492	DA97-07460A	ASSY SHELF FOLDER; TWIN-PJT,-	SA	1
4	2	RI494	DA61-05099A	CASE-DELI BIN; TWIN,GPPS,T2.5,NTR,168N,HI	SA	1
5	2	RI160	DA75-00243A	RACK-WINE; CORE-PJT,MSWR70,OD6.0,PE-COATI	SA	1
6	2	RI041	DA97-07454A	ASSY SHELF REF-UPP; TWIN-PJT,-	SA	1
6-1	3	RE046	DA64-02885A	TRIM-PLATE ABSORBER; TWIN-PJT,ABS+PVC,P-1	SA	1
6-2	3		DA66-00690A	ROLLER-SHELF; TWIN,POM,22,NTR	SA	2
7	2	RI039	DA97-07455A	ASSY SHELF REF-LOW; TWIN-PJT,-	SA	1
7-1	3	RE046	DA64-02885A	TRIM-PLATE ABSORBER; TWIN-PJT,ABS+PVC,P-1	SA	1
7-2	3		DA66-00690A	ROLLER-SHELF; TWIN,POM,22,NTR	SA	2
7-3	3	RI262	DA64-02860A	KNOB-HUMIDITY; TWIN,ABS,T2.0,W155.9 D36.0	SA	1
8	2	RI002	DA97-07399C	ASSY CASE-VEG UPP; TWIN-PJT,Normal	SA	1
9	2	RI001	DA97-07400A	ASSY CASE-VEG LOW; TWIN-PJT,-,-,-,-, NORMA	SA	1
10	2	RO336	DA97-07991A	ASSY INS-FIXER; TWIN-PJT	SA	1
10-1	3	RO337	DA61-05413A	FIXER; TWIN,NBR,T3.0,NTR	SA	2
10-2	3	RO338	DA97-07990A	ASSY-FIXER LOW; TWIN-PJT	SA	1
10-3	3	RO340	DA61-05611A	FIXER-BACK; TWIN-PJT,SGCC1,NTR	SA	1
11	2	RO341	DA61-05433R	FIXER-JOINING STRIP; TWIN,ABS,INOX(SC-060	SA	1
12	2	RI222	DA63-02902B	COVER-FIXER HOUSING V; NEXT-PJT,GALVA,T0.	SA	1

3. Water Dispenser Door

Exploded View



Parts List

No.	Lvl.	Loc.	Material Code	Description & Specification	SNA	Qty.
1	5	RO511	DA67-02223D	CAP DOOR-UPP; TWIN-PJT,ABS,-,-,-,INOX,SC-	SNA	1
2	2	RO271	DA97-08050D	ASSY COVER-WIRE DOOR R; TWIN-PJT,INOX	SA	1
2-1	3	RO274	DA63-04851D	COVER-WIRE DOOR R; TWIN-PJT,ABS,-,-,-,-	SA	1
2-2	3	RR984	DA67-00859C	CAP-DOOR HANDLE; CORE,ABS,-,-,-,INOX,SC-0	SA	2
3	5	RY479	DA61-03769A	MAGNET-A; HERMES,-,5x7x18,-,-,1200Gauss	SA	1
4	5	RO456	DA63-04849D	COVER-WIRE HINGE R; TWIN-PJT,PP,T1.8,-,-,-	SA	1
5	5	RO040	DA97-07376A	ASSY HINGE UPP; TWIN-PJT,-,-,-,-,-	SA	1
5-1	6	RR377	DA66-00073C	SHAFT-WASHER, C; RD-PVC,SR-32,35,-,-,-,T1	SA	1
6	5	RO116	DA63-04850A	GROMMET HINGE; TWIN-PJT,NY-66,T2.0,-,L20,	SNA	1
7	2	RE486	DA97-07381A	ASSY COVER-DISPLAY REF; TWIN-PJT,-,-,-,-	SA	1
7-1	3	RR239	6002-000466	SCREW-TAPPING; PH,+2S,M3,L8,ZPC(WHT),MSW	SA	3
7-2	3	RR558	DA41-00612A	ASSY PCB KIT LED; TWIN-PJT,DOOR REF,FR-1,	SA	1
8	2	RI043	DA97-11235B	ASSY TANK WATER; TWIN,COOL WHITE,BRITA	SA	1
8-1	3	RG171	DA63-03993A	COVER TANK-WATER; CORE,ABS,-,-,-,-,-	SA	1
8-2	3	RE204	DA61-03989A	CASE-FILTER TANK; CORE,ABS,-,-,-,-	SA	1
8-3	3	RD250	DA65-20004B	CLAMPER BAG-CLAMP TANK; W2,HIPS,-,-,COOL	SA	2
8-4	3	RE206	DA67-01883A	CAP-COVER TANK; GRAND CRU,ABS	SA	1
8-5	3	RI097	DA97-11229A	ASSY-COCK DISPENSER; TWIN, MT, TD09, NW2-	SA	1
8-6	3	RI070	DA29-00017A	FILTER WATER-ASSY; -,CORE,-,-,-,-,-	SA	1
8-7	3	RE207	DA97-05895A	ASSY INDICATOR-FILTER; CORE,-,-,-	SA	1
9	4		DA61-05083D	PLATE-DOOR W; TWIN-PJT,SECC1,T0.5,INOX,B	SNA	1
10	5		DA61-05065D	CASE-DISPENSER; TWIN-PJT,ABS,INOX,VERSAIL	SNA	1
11	5		DA61-03955A	FIXER-CASE; MT-PJT,ABS,-,NTR,-	SNA	1
12	4		DA61-05353A	REINF-PLATE DOOR L; TWIN-35,25,SHP1,L1550	SNA	1
13	4		DA61-05352A	REINF-PLATE DOOR R; TWIN-35,25,SHP1,L1550	SNA	1
14	3		DA64-02848A	PANEL DOOR-REF W; TWIN-35,ABS,T1.0,-,-,-	SNA	1
15	2	RO756	DA97-07366G	ASSY-GASKET DOOR; TWIN-PJT(R35,F25),-,W53	SA	1
16	4		DA97-07377D	ASSY CAP DOOR-LOW; TWIN-PJT,-,-,-,-,INOX,	SNA	1
16-1	5	RR227	6001-000715	SCREW-MACHINE; TH,+,-,M5,L16,ZPC(WHT),SWR	SA	4
16-2	5	RE043	DA61-00776A	STOPPER DOOR; ES-PJT,SPCC,T3.0	SA	1

No.	Lvl.	Loc.	Material Code	Description & Specification	SNA	Qty.
16-3	5	RO105	DA66-00344A	CAM-HINGE RISER LOW; USP05(ATOP,ET),NY-66	SC	1
16-4	5	RR007	6001-001377	SCREW-MACHINE; TH,+,-,M5,L25,ZPC(WHT),SWR	SA	2
17	2	RD210	DA97-08023L	ASSY HANDLE-EASY; TWIN-PJT,VERSAILLES SIL	SC	1
17-1	3	RO262	DA97-07907B	ASSY HANDLE-SUB EASY; TWIN-PJT,VERSAILLES	SA	1
17-1-1	4	RD215	DA61-05174B	SLIDER-HANDLE; TWIN-PJT,POM,VERSAILLES ST	SA	1
17-1-2	4	RO263	DA73-00238B	RUBBER-HANDLE; TWIN-PJT,SILICON,VERSAILLE	SA	1
17-1-3	4	RE473	DA61-05173B	SUPPORT-HANDLE A; TWIN-PJT,PA+ABS,-,VERSA	SA	1
17-2	3	RK020	DA67-02024B	CAP-HANDLE SIDE; CORE,ABS,-,-,NTR,SILVE	SA	2
17-3	3	RD212	DA63-04929D	COVER-SUPT HANDLE FRONT; TWIN-PJT,ABS,VER	SA	2
17-4	3	RE476	DA61-05172B	SUPPORT-HANDLE B; TWIN-PJT,NY-66,VERSAILL	SA	2
17-5	3	RD211	DA66-00664A	SHAFT-HANDLE; TWIN-PJT,STS304,L25.6,EASY	SA	2
17-6	3	RD214	DA61-05177A	SPRING ETC-HANDLE; TWIN-PJT,PW1,6.6,5.4,7	SA	2
17-7	3	RR331	6009-001512	SCREW-SPECIAL; BH,+,-,M4,L16,ZPC(WHT),SWR	SA	2
17-8	3	RO391	DA64-03108B	HANDLE BAR; TWIN-PJT,AL,L422,INOX(SC-0603	SA	1
18	2	RD213	DA63-04928D	COVER-SLIDER HANDLE; TWIN-PJT,ABS,VERSAIL	SA	2
19	2	RE277	DA97-07383D	ASSY COVER DISP; TWIN-PJT,INOX	SA	1
19-1	3	RR494	DA41-00217E	ASSY PCB KIT; DISP. LAMP ASSY,DOOR DISPEN	SA	1
19-2	3	RD071	DA61-05708B	SPRING ETC-LEVER; NW2-FDR,STS304WPB,D8.1,	SA	1
19-3	3	RD460	DA34-00011B	SWITCH MICRO; 250V,16A,Max 200g	SA	1
19-4	3	RE278	DA63-05157A	GROMMET-MICRO SWITCH; TWIN,SILICON,NTR	SA	1
19-5	3	RD365	DA66-00530A	LEVER-DISPENSER; MT-PJT,PC,NTR	SA	1
19-6	3	RD131	DA64-02835A	WINDOW-DISPENSER; TWIN-PJT,PC,T0.5,NTR	SA	1
19-7	3	RE129	DA64-02841A	KEY-LEVER; TWIN-PJT,POM,-,-,TITAN GRAY,-,	SA	1
20	3	RE355	DA67-40297A	TRAY-EGG; SR-5056,GPPS,T2.5,-,-,-,-	SA	1
21	2	RE365	DA63-04872A	GUARD REF-UPP; TWIN-PJT,GPPS,NTR,168N	SA	1
22	2	RE127	DA63-04884A	GUARD-DISPENSER; TWIN-PJT,GPPS,NTR,168N	SA	1
23	2	RE343	DA63-04873A	GUARD BOTTLE; TWIN-PJT,GPPS,NTR,168N	SA	1

Exploded Views and Parts List

No.	Lvl.	Loc.	Material Code	Description & Specification	SNA	Qty.
24	2	RE368	DA63-04874A	GUARD REF-LOW; TWIN-PJT,GPPS,NTR,168N	SA	1
25	4	RI500	DA63-02707A	COVER-PURIFIER; NEXT,PP,-,-,-,-,SC-0274	SA	1