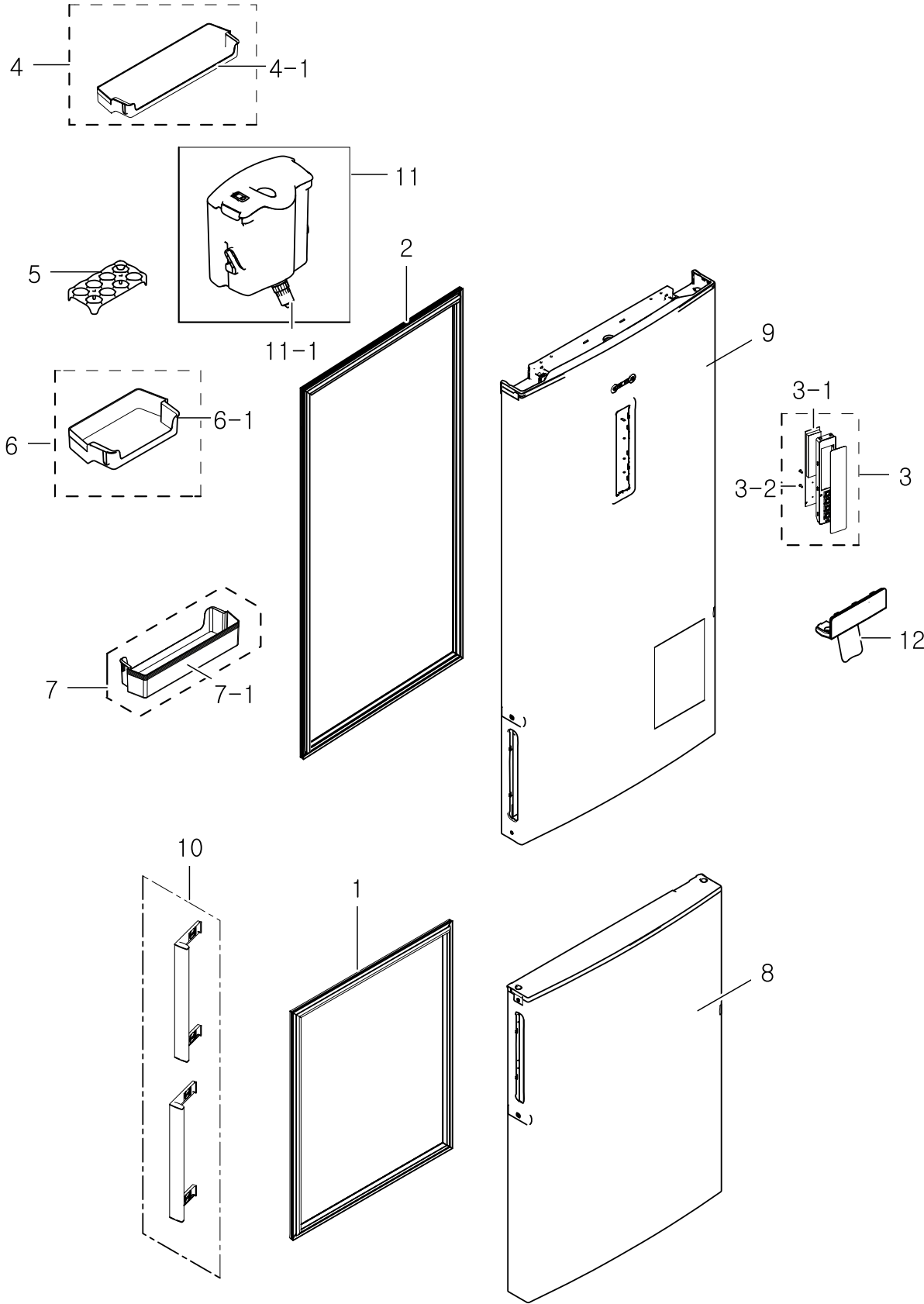


1. Door

Exploded View

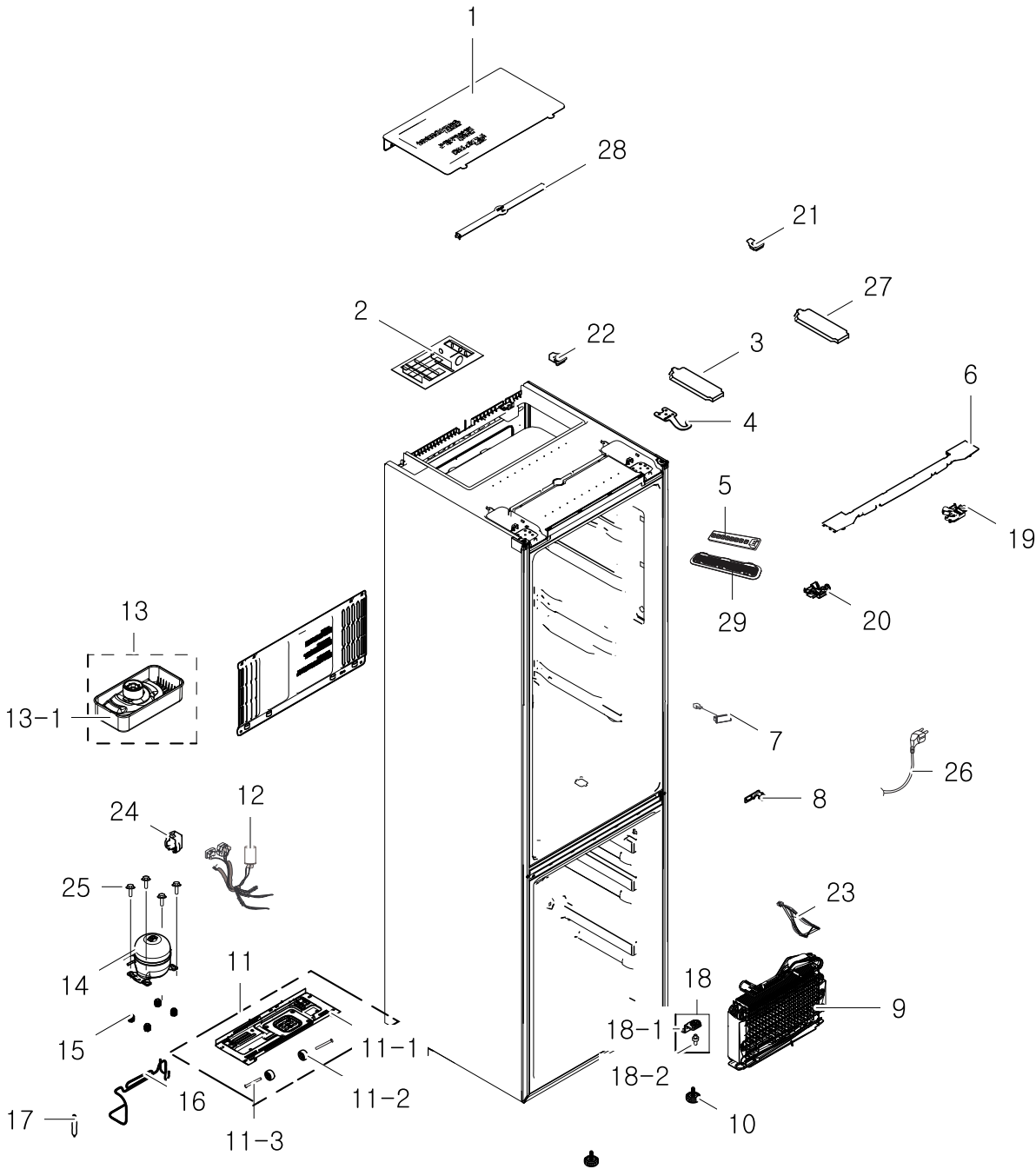


Parts List

No.	Lvl.	Loc.	Material Code	Description & Specification	SNA	Qty.
1	2	A0557	DA97-08848Y	ASSY-GASKET DOOR FRE; GRAN CRU,FRE 56(GRA	SA	1
2	2	A0535	DA97-08848X	ASSY-GASKET DOOR REF; GRAN CRU,REF 56(GRA	SA	1
3	2	G0082	DA97-11409P	ASSY COVER-CONTROL; GRAN CRU,ASS'Y,INOX,N	SA	1
3-1	3	G0069	DA92-00178F	ASSY PCB KIT LED; LED(Tact) DISPLAY,GRAN	SNA	1
3-2	3	G0412	6002-000630	SCREW-TAPPING; PH,+,NO,2S,M3,L8,ZPC(WHT),	SA	2
4	2	A0658	DA97-11990B	ASSY GUARD REF-UPP; GRAND-CRU,GALAXY PATT	SA	1
4-1	3	A0634	DA63-06305B	GUARD REF-UPP; Grand-Cru,GPPS,T2.5,488.4,	SA	1
5	2	Z1106	DA63-06221A	TRAY-EGG; SAM-PJT,GPPS,T2.1,92,252.9,NTR	SA	1
6	2	G0401	DA97-11993B	ASSY GUARD-VARIETY; GRAND-CRU,GALAXY PATT	SA	1
6-1	3	A0211	DA63-06307B	GUARD-VARIETY; Grand-Cru,GPPS,T2.5,242,6,	SA	1
7	2	G0402	DA97-11994B	ASSY GUARD-DISPENSER; GRAND-CRU,GALAXY PA	SA	1
7-1	3	G0283	DA63-06404B	GUARD-DISPENSER; Grand-Cru,GPPS,T2.5,481.	SA	1
8	2	A0051	DA91-03632F	ASSY DOOR FOAM FRE; DOOR FRE-97	SA	1
9	2	A0052	DA91-03631D	ASSY DOOR FOAM REF; DOOR REF-135	SA	1
10	2	A0553	DA97-11484K	ASSY HANDLE; GRAN CRU,AL,RS	SA	2
11	2	M0042	DA97-11445A	ASSY TANK WATER; GRAN CRU, DISPENSER	SA	1
11-1	3	M0353	DA97-11229A	ASSY-COCK DISPENSER; TWIN, MT, TD09, NW2-	SA	1
12	3	M0412	DA66-00865A	LEVER-DISPENSER; GRAND CRU,PC,TRANSPARENC	SA	1

2. OVER ALL

Exploded View



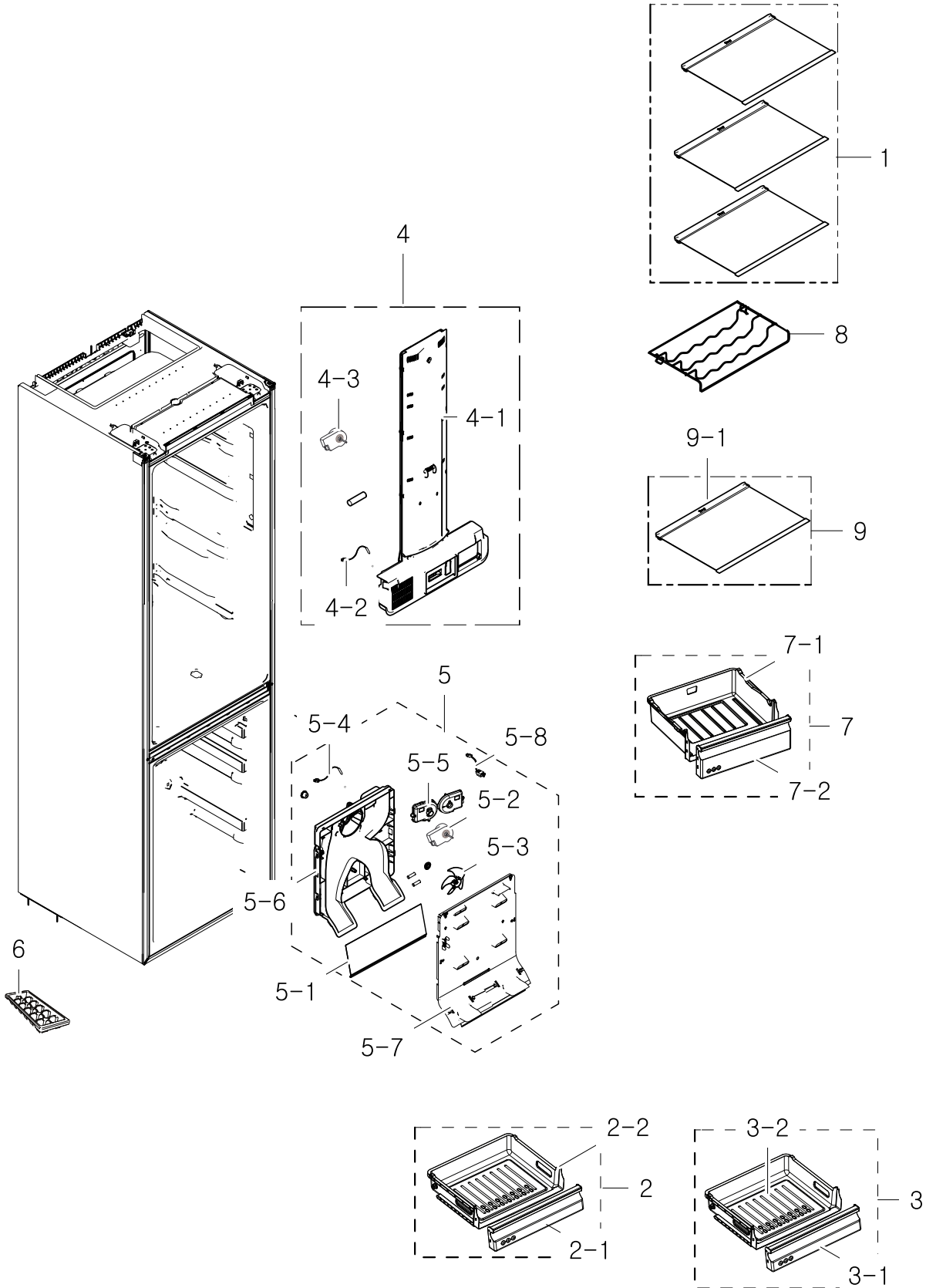
Parts List

No.	Lvl.	Loc.	Material Code	Description & Specification	SNA	Qty.
1	2	G0089	DA63-06361B	COVER PCB-PANEL; GRAND CRU,GI-SGCC,T0.3	SA	1
2	2	A0952	DA92-00177E	ASSY PCB MAIN; 230V,50Hz,7-SEG,Gran cru,W	SA	1
3	2	G0217	DA63-06395B	COVER-HINGE A; GRAND CRU,HIPS,COOL WHITE	SA	1
4	3	G0259	DA97-11865A	ASSY HINGE UPP-SPRAY; GRAND CRU	SA	1
5	2	G0090	DA41-00519P	PBA-LED LAMP; SSEDAR,ROOM,CEM-1,100*20*1	SA	1
6	2	G0215	DA63-06393B	COVER-WIRE DOOR; GRAND CRU,ABS,INOX(GY002	SNA	1
7	2	G0068	DA34-00043A	SWITCH REED-ASS'Y; 200VDC,1.5,-	SA	1
8	2	A0513	DA97-12375B	ASSY HINGE MID; GRAND CRU,Zn painting	SA	1
9	2	A0162	DA96-00827A	ASSY EVAP FRE; GRAND CRU,FRE,230V/50Hz,23	SA	1
10	2	G0201	DA61-07546A	LEG; GRAND CRU-PJT,PP,NTR,BOLT:M8,50.5mm	SA	2
11	2	A0738	DA97-11278A	ASSY CHASSIS-COMP; GRAND_CRU,SBHG1,T0.8,A	SA	1
11-1	3	G0258	DA97-11860A	ASSY CHASSIS-SUB COMP; GRAND CRU,ASSY	SA	1
11-2	3	A0527	DA61-06202A	CASTER-REAR; AMICA-PJT,PP,33,NTR,W18.5	SA	2
11-3	3	G0445	DA66-00758B	SHAFT CASTER; SAM PJT,SCP1,OD6.0,BS1706-F	SA	2
12	2	M2000	DA27-00032A	COIL FILTER-EMI; 400L,8.0mH,60*82mm,BOX,S	SA	1
13	2	A0529	DA97-08845A	ASSY TRAY DRAIN WATER; T2.0,NTR,PP	SA	1
13-1	3	A0531	DA63-06226A	TRAY-DRAIN WATER; S_AM B/I,PP,T2.0,NTR	SA	1
14	2	G0410	MSE4A1QL1G/AK1	COMPRESSOR,RSCR,11.1CC,220-240V,STAITC; COMPRESSOR,RSCR,11.1CC,220-240V,STAITC		1
15	3	Z1112	DA63-02017A	GROMMET COMP; QUEEN,EPDM,BLACK	SA	4
16	2	M0016	DA62-03095A	PIPE-CONNECT SUCTION; GRANDCRU,C1220T-0,O	SA	1
17	2	G0071	DA62-02614G	DRYER-SINGLE; GRAND CRU,CU,OD18.7,L114	SA	1
18	2	A0515	DA97-11482A	ASSY HINGE LOW; GRAND CRU	SA	1
18-1	3	A0247	DA61-07365A	HINGE-LOW; GRNAD CRU,SHP1,T4.0,ZPC3	SA	1
18-2	3	A0518	DA66-00385A	SHAFT-HINGE; CORE,SWCH10A,-,OD6,-,ZPC3(SA	1
19	2	G0213	DA63-06391A	COVER-WIRE HINGE R; GRAND CRU,PP,SNOW WHI	SA	1
20	2	G0214	DA63-06392A	COVER-WIRE HINGE L; GRAND CRU,PP,SNOW WHI	SA	1
21	2		DA67-03053C	CAP-HIGH SIDE R; GRAN CRU,ABS,INOX	SNA	1
22	2		DA67-03054C	CAP-HIGH SIDE L; GRAND CRU,ABS,INOX	SNA	1

No.	Lvl.	Loc.	Material Code	Description & Specification	SNA	Qty.
23	3	A1008	DA47-00301H	THERMO FUSE-ASSY; POLARIS,120V/250V,15A/1	SNA	1
24	3	Z1032	DA63-04553A	COVER RELAY; N300X,T2.1,V-0,5VA,SSEC,BLAC	SNA	1
25	3	A0564	DA60-20008A	BOLT-HEX; S25C,M6,L43.6,WHITE,ZPC	SA	4
26	2	A0273	DA39-10115D	CBF-POWER CORD; UCP-2,250V,10/16A,L2100,-	SA	1
27	2	G0216	DA63-06394B	COVER-HINGE B; GRAND CRU,HIPS,COOL WHITE	SA	1
28	2	G0212	DA63-06384C	COVER-CABI HIGH; GRAND CRU,HIPS,T2.0,42,3	SNA	1
29	2	A0490	DA63-05628C	COVER-LAMP; SAM PJT, GRAND CRU,PC,T2.0,TR	SA	1

3. FREEZER FRIDGE

Exploded View



Parts List

No.	Lvl.	Loc.	Material Code	Description & Specification	SNA	Qty.
1	2	A0185	DA97-11387A	ASSY SHELF REF; GRAND CRU,BEST	SA	3
2	2	G0268	DA97-11399A	ASSY TRAY-FRE MID; GRAN CRU,W475.2,L382.5	SA	2
2-1	4	G0080	DA63-06328A	COVER-TRAY FRE MID; GRAND-CRU,GPPS,TRANSP	SA	2
2-2	3	G0261	DA61-07305A	CASE-TRAY FRE MID; GRAND-CRU,PP,COOL WHIT	SA	2
3	2	G0267	DA97-11398A	ASSY TRAY-FRE LOW; GRAN CRU,W475.2,L285.6	SA	1
3-1	4	G0085	DA63-06334A	COVER-TRAY FRE LOW; GRAND-CRU,GPPS,TRANSP	SA	1
3-2	3	G0260	DA61-07306A	CASE-TRAY FRE LOW; GRAND-CRU,PP,COOL WHIT	SA	1
4	2	G0239	DA97-11367A	ASSY COVER MULTI-REF; GRAND CRU,RL56,BASI	SA	1
4-1	3	A0689	DA63-06343A	COVER-MULTI REF; GRAND CRU(RL56),PP,COOL	SNA	1
4-2	3	A1018	DA32-00011W	SENSOR TEMP; PX-41C,MT-PJT,-40~1105V,	SA	1
4-3	3	M0197	DA31-00043F	MOTOR DC-MOTOR-DAMPER; -,CORE-PJT,Max 60m	SA	1
5	2	M0416	DA97-11339A	ASSY COVER-EVAP FRE; GRAND CRU	SA	1
5-1	3	G0233	DA61-07361A	PLATE-EVAP COVER REAR; GRAND CRU,GL-SAZCC	SA	1
5-2	4	A0998	DA31-00146J	MOTOR BLDC; 1920,DC12V,230mA,2.8W	SA	1
5-3	4	A0769	DA31-00276A	FAN; GRAND CRU,ABS,GP-35/NTR	SA	1
5-4	4	A1018	DA32-00033E	SENSOR TEMP; 502AT,DKST1329GW,MAX4,-40~11	SA	1
5-5	4	M0449	DA63-06370A	COVER MOTOR-BLDC; GRAND CRU,PP,BLACK	SA	1
5-6	4	G0236	DA63-06371A	COVER EVAP-REAR; GRAND CRU,PP,T1.5,BLACK,	SA	1
5-7	4	A0665	DA63-06376B	COVER EVAP-FRONT; GRAND CRU,PP,T1.7,NTR	SA	1
5-8	4	G0088	DA96-00042E	ASSY W/HARNES-MOTOR; E-PEL(BLDC),WIRE-HA	SA	1
6	2	A0582	DA67-40146B	TRAY-ICE; SR-1500,NTR,PE,-,-,-,-,-	SA	1
7	2	G0269	DA97-11687A	ASSY TRAY-FRESHROOM; GRAND CRU	SA	1
7-1	3	G0266	DA61-07324A	CASE-FRESHROOM; GRAND CRU-PJT,PP,COOL WHI	SA	1
7-2	4	G0083	DA63-06341A	COVER-FRESHROOM FRONT; GRAND CRU,GPPS,TRA	SA	1
8	2	G0076	DA75-00247A	RACK-WINE; GRAND CRU(BETTER),HIPS,T2.5,CO	SA	1

Exploded Views and Parts List

No.	Lvl.	Loc.	Material Code	Description & Specification	SNA	Qty.
9	2	G0284	DA97-11391A	ASSY SHELF REF-LOW; GRAND CRU,BEST	SA	1
9-1	3	G0268	DA67-03038B	SHELF-REF LOW; GRAND CRU,PP,COOL WHITE,BE	SA	1