


EXPLODED VIEWS

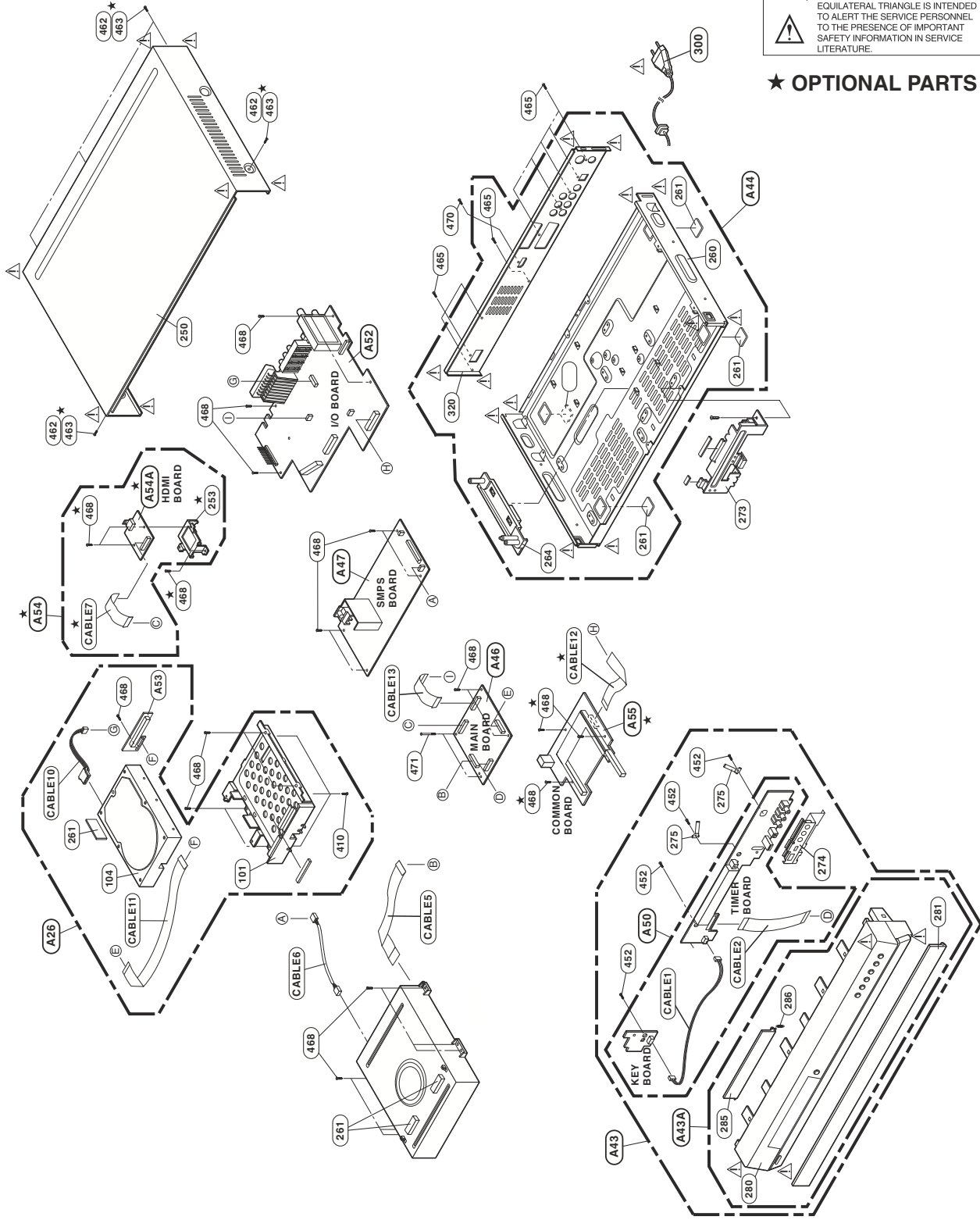
1. CABINET AND MAIN FRAME SECTION

5
4
3
2
1

NOTES) THE EXCLAMATION POINT WITHIN AN EQUILATERAL TRIANGLE IS INTENDED TO ALERT THE SERVICE PERSONNEL TO THE PRESENCE OF IMPORTANT SAFETY INFORMATION IN SERVICE LITERATURE.

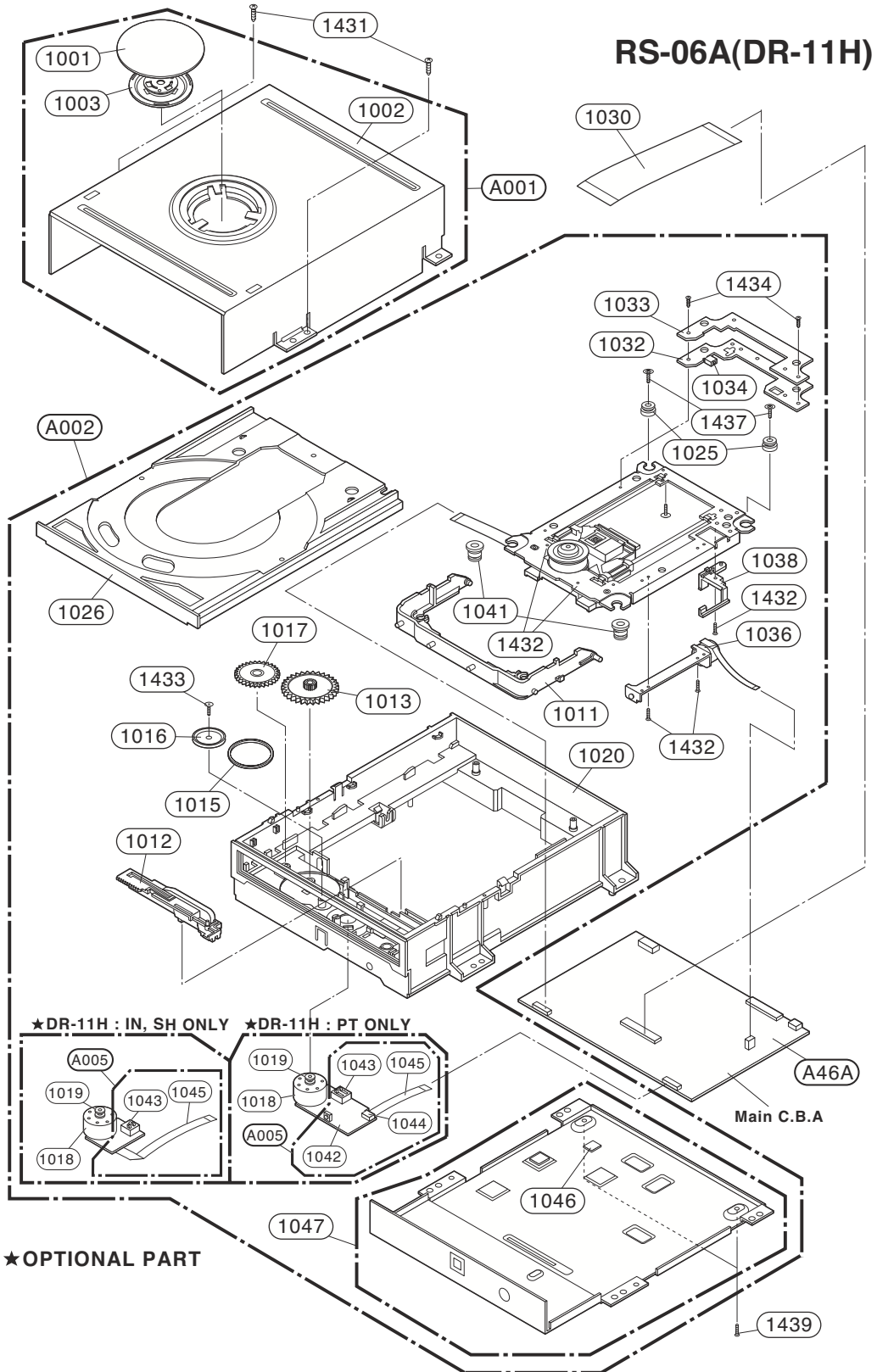


★ OPTIONAL PARTS



A B C D

2. DECK MECHANISM SECTION (RS-06A)



3. PACKING ACCESSORY SECTION

