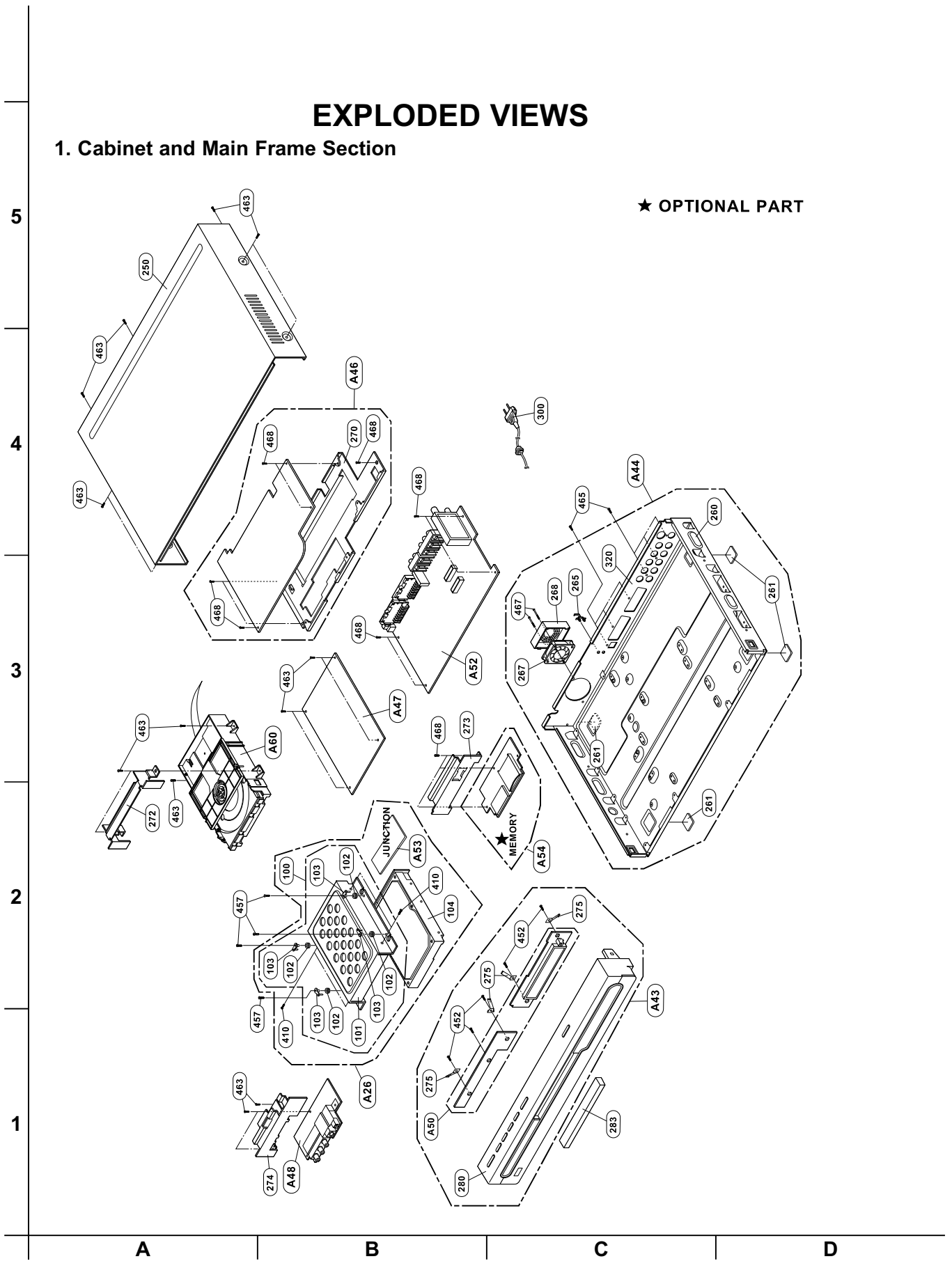


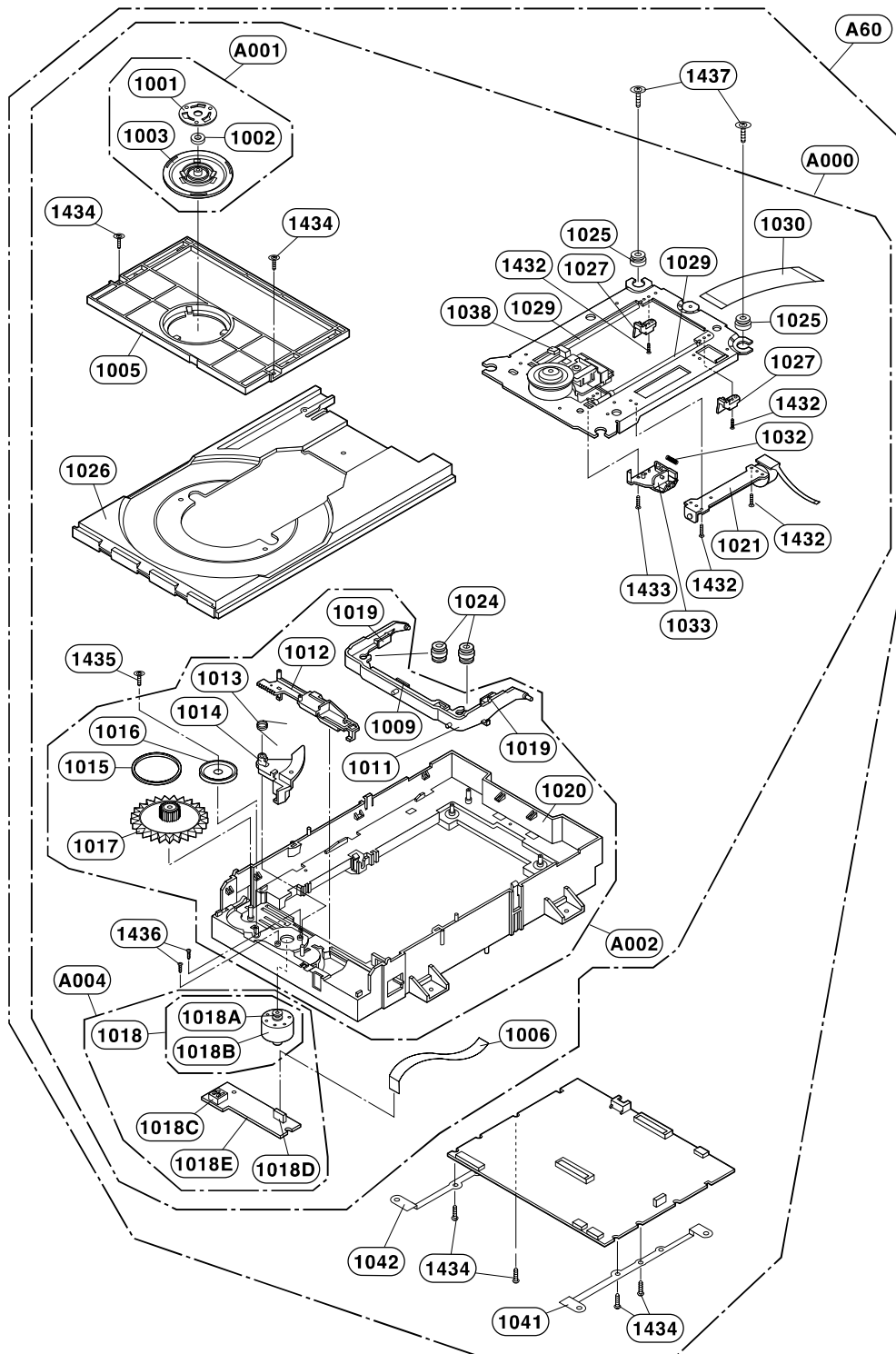
# EXPLODED VIEWS

## 1. Cabinet and Main Frame Section

★ OPTIONAL PART



## 2. DECK MECHANISM SECTION(RL-05S)



### 3. Packing Accessory Section

