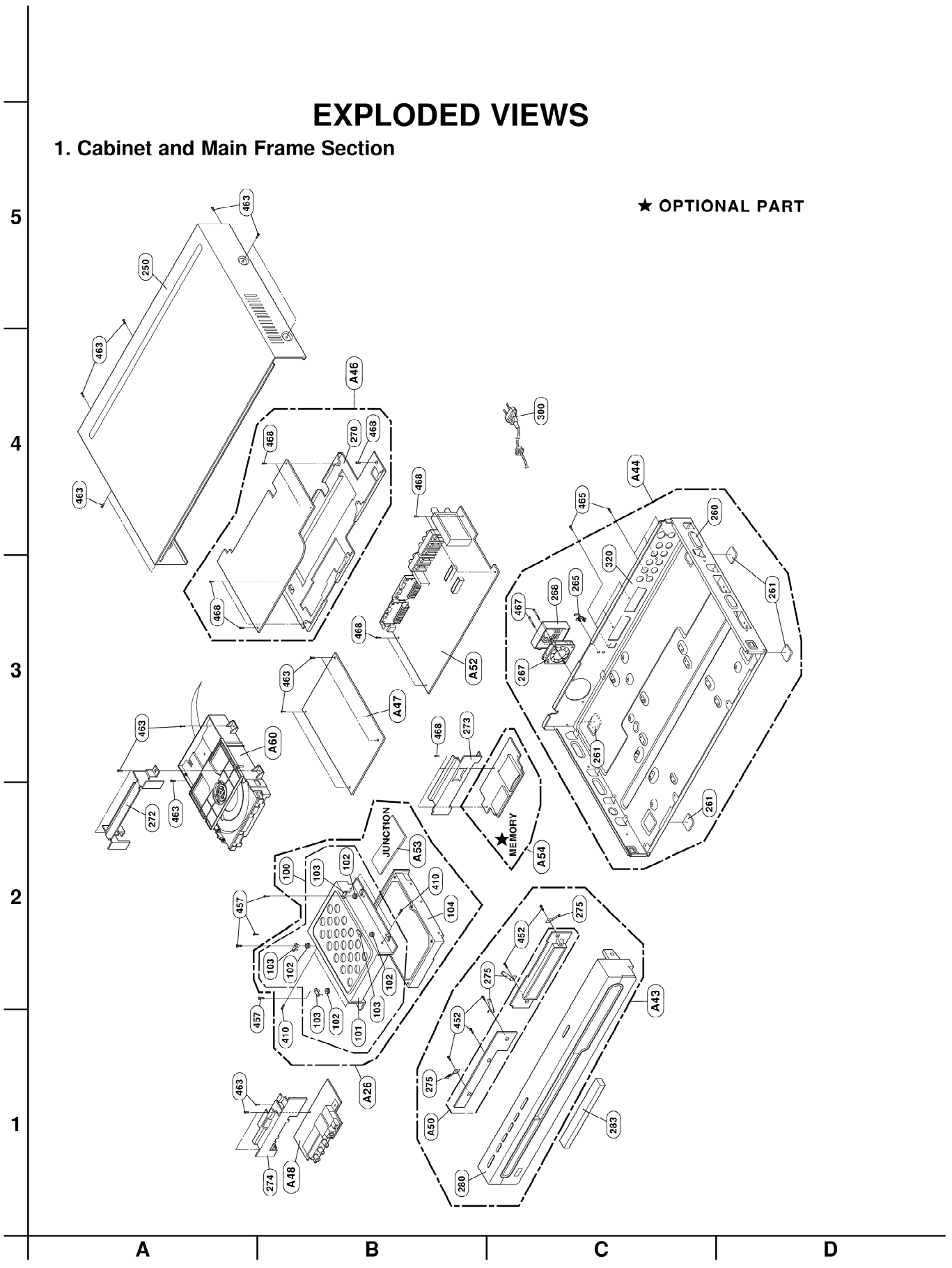


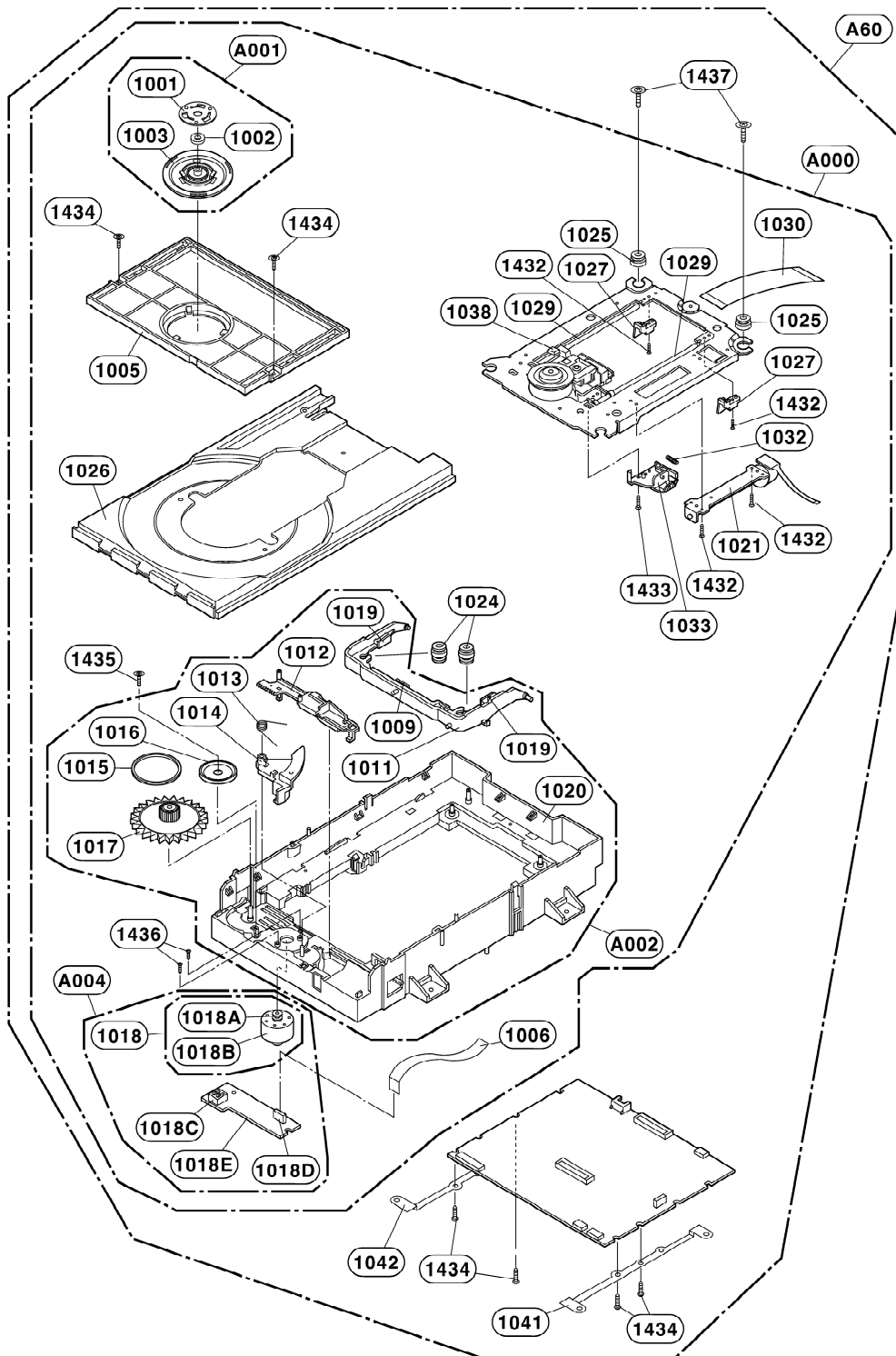
EXPLODED VIEWS

1. Cabinet and Main Frame Section

★ OPTIONAL PART



2. DECK MECHANISM SECTION(RL-05S)



3. Packing Accessory Section

