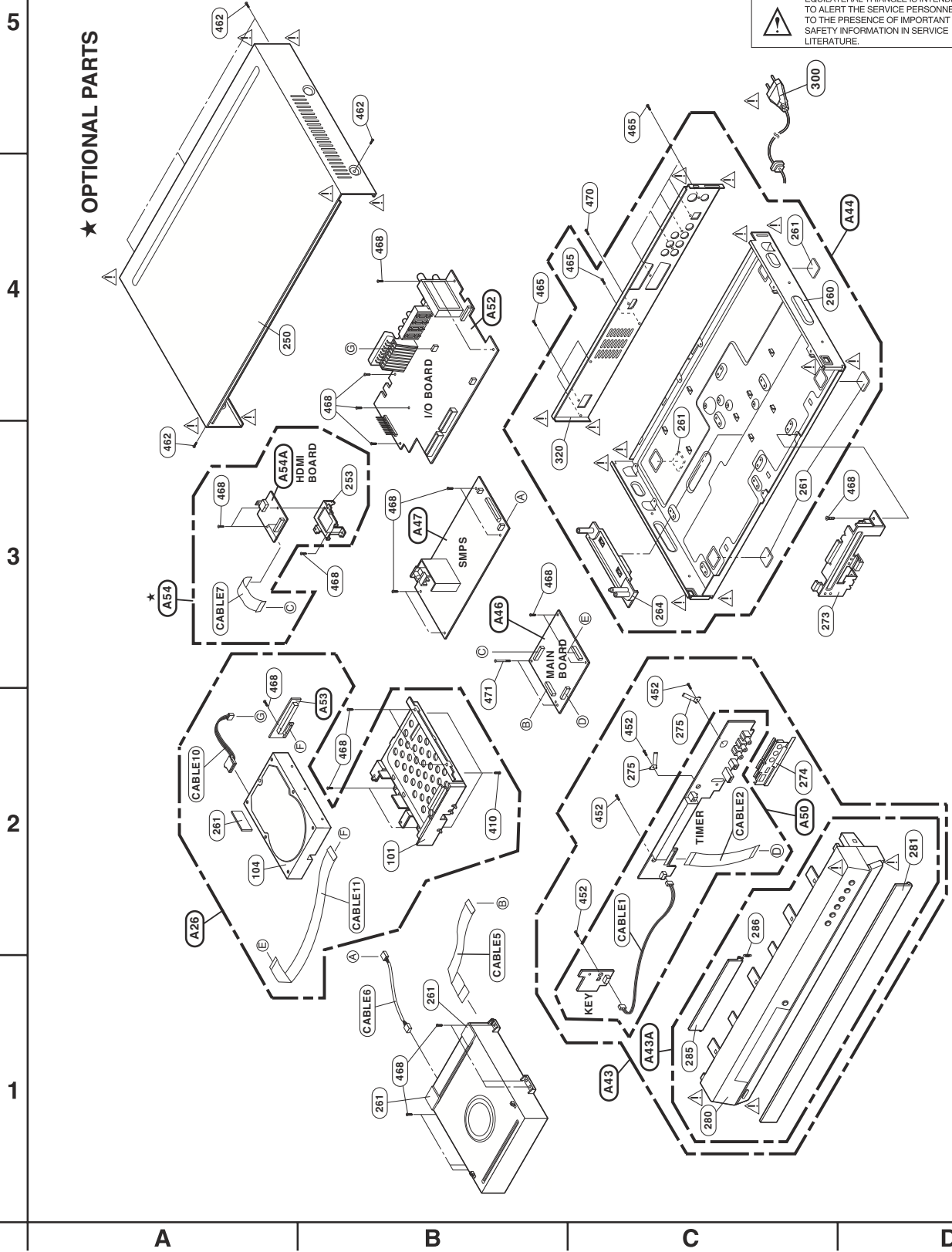


EXPLODED VIEWS

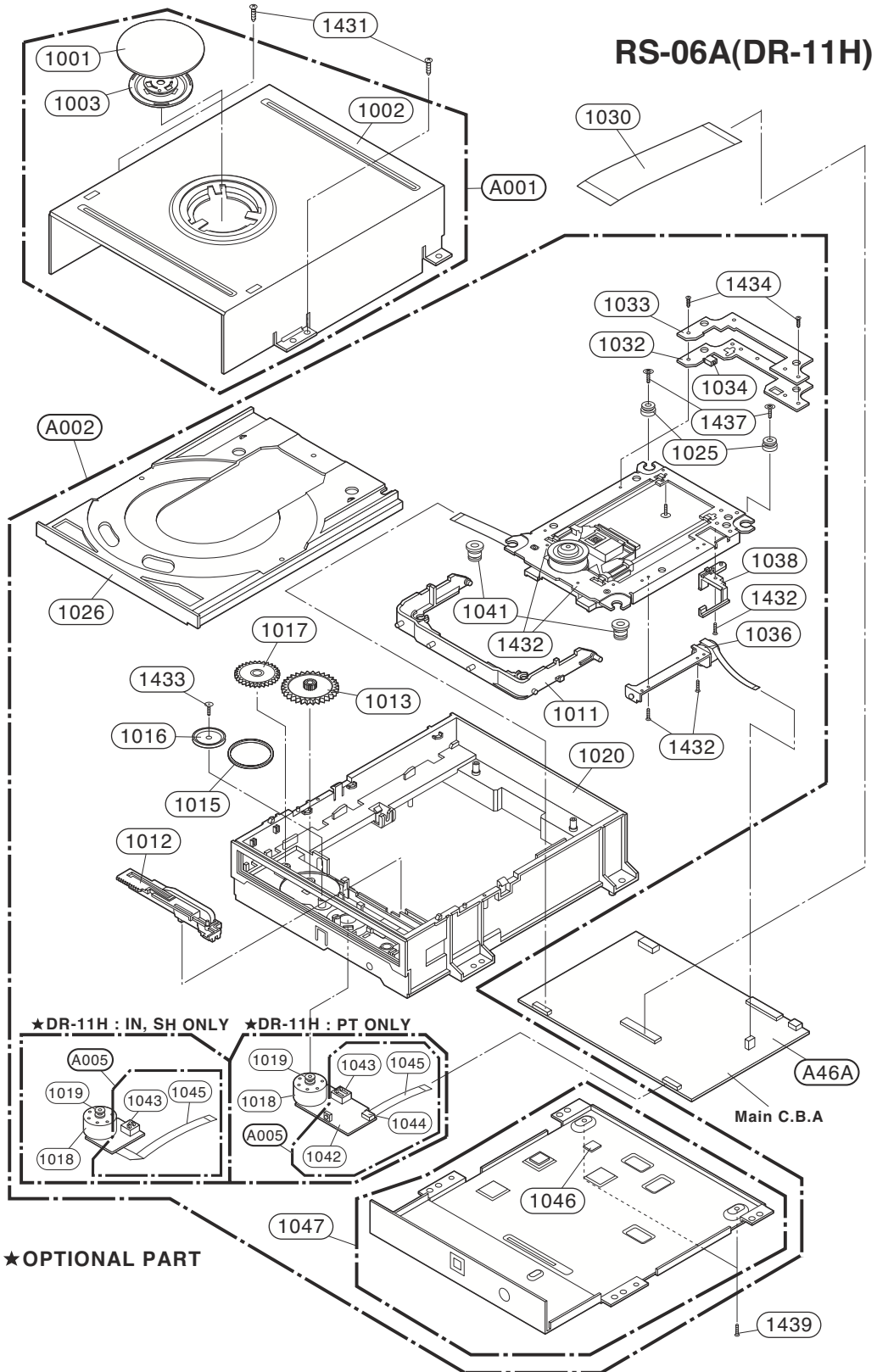
1. CABINET AND MAIN FRAME SECTION

★ OPTIONAL PARTS

NOTES) THE EXCLAMATION POINT WITHIN AN EQUILATERAL TRIANGLE IS INTENDED TO ALERT THE SERVICE PERSONNEL TO THE PRESENCE OF IMPORTANT SAFETY INFORMATION IN SERVICE LITERATURE.



2. DECK MECHANISM SECTION (RS-06A)



3. PACKING ACCESSORY SECTION

