

RDR-DC90/DC100/DC105/DC200/DC205/DC305/DC500/DC505

SECTION 8

REPAIR PARTS LIST

8-1. EXPLODED VIEWS

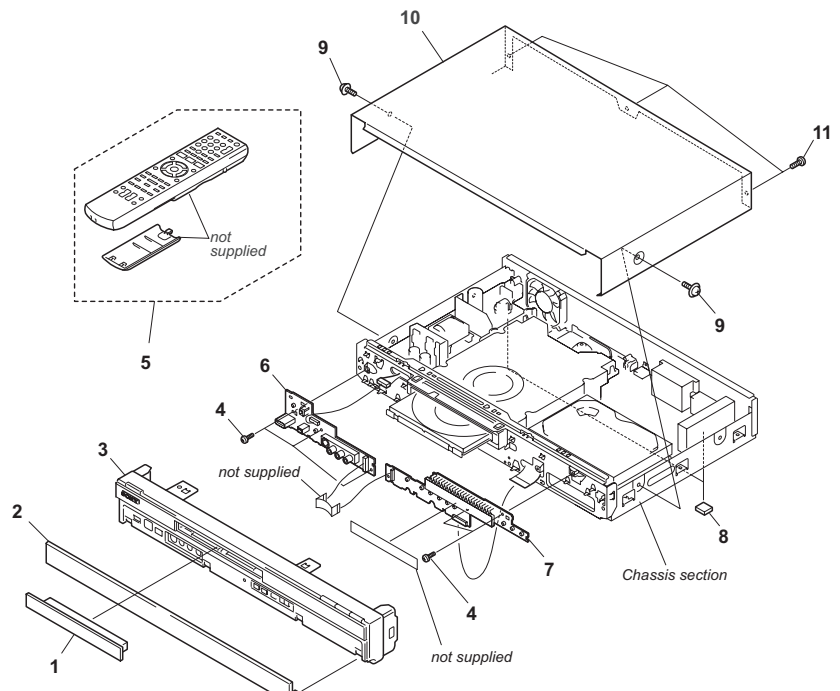
Note:

- -XX and -X mean standardized parts, so they may have some difference from the original one.
- Items marked "**" are not stocked since they are seldom required for routine service. Some delay should be anticipated when ordering these items.
- The mechanical parts with no reference number in the exploded views are not supplied.

The components identified by mark Δ or dotted line with mark Δ are critical for safety. Replace only with part number specified.

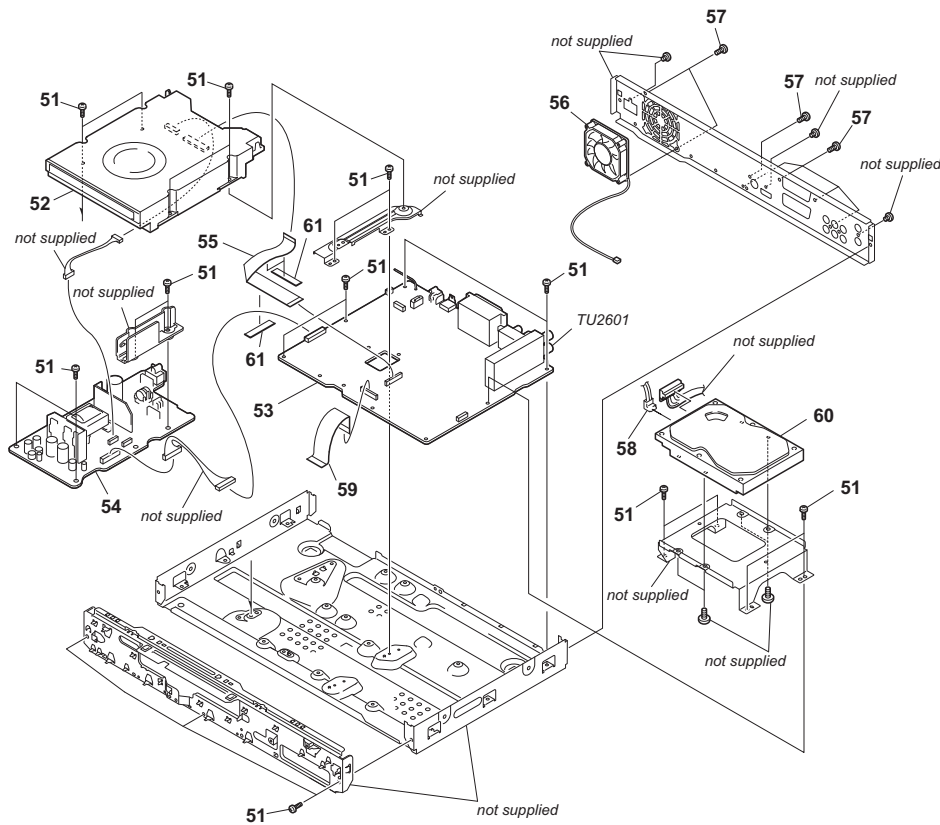
The components identified by mark Δ or dotted line with mark Δ are critical for safety. Strictly follow the instructions whenever components are repaired and/or replaced.

8-1-1. OVERALL SECTION



Ref. No.	Part No.	Description	Remark	Ref. No.	Part No.	Description	Remark
1	X-2345-916-1	COVER ASSY, TRAY		3	X-2345-917-1	PANEL ASSY, FRONT (RDR-DC105/DC205/DC305/DC505)	
2	4-137-009-01	DOOR (RDR-DC90)		3	X-2349-627-1	PANEL ASSY, FRONT (RDR-DC90/DC100/DC200/DC500)	
2	4-137-009-11	DOOR (RDR-DC100)		4	3-077-331-01	+BV3 (3-CR)	
2	4-137-009-21	DOOR (RDR-DC105: AEP3)		5	1-487-288-11	REMOTE COMMANDER (RMT-D258P)	
2	4-137-009-31	DOOR (RDR-DC200)		6	A-1733-521-A	FL-195 (AG) COMPL	
2	4-137-009-41	DOOR (RDR-DC205: UK, AEP3)		7	A-1733-523-A	FR-303 (AG) COMPL	
2	4-137-009-51	DOOR (RDR-DC305)		* 8	3-087-319-01	CUSHION, FOOT	
2	4-137-009-61	DOOR (RDR-DC500)		9	3-710-901-71	SCREW, TAPPING	
2	4-137-009-71	DOOR (RDR-DC505: UK, AEP3)		10	4-134-094-01	CASE, UPPER	
2	4-139-306-01	DOOR (RDR-DC105: AEP2)		11	3-076-563-11	SCREW, SPECIAL FRONT POINT	
2	4-139-306-11	DOOR (RDR-DC205: AEP2)					
2	4-139-306-21	DOOR (RDR-DC505: AEP2)					

8-1-2. MAIN SECTION



The components identified by mark Δ or dotted line with mark Δ are critical for safety. Replace only with part number specified.

The components identified by mark $\text{\textcircled{A}}$ contain confidential information. Strictly follow the instructions whenever the components are repaired and/or replaced.

Ref. No.	Part No.	Description	Remark	Ref. No.	Part No.	Description	Remark
51	3-077-331-01	+BV3 (3-CR)		Δ 54	1-474-176-11	REGULATOR, SWITCHING (ZSSR827H)	
Δ $\text{\textcircled{A}}$ 52	1-487-421-11	WRITER UNIT, DVD-RW (DVR-L14SO)		55	1-836-879-11	CABLE, FLEXIBLE FLAT (FMD-005)	
53	A-1744-739-A	MB-129 DC90-UK		Δ 56	1-787-625-51	FAN, D.C.	
53	A-1744-740-A	MB-129 DC100-AEP		57	3-077-331-31	+BV3 (3-CR)	
53	A-1744-741-A	MB-129 DC100-UK		58	1-966-484-11	HARNES (MH-118)	
53	A-1744-742-A	MB-129 DC105-AEP		59	1-836-881-11	CABLE, FLEXIBLE FLAT (FRR-001)	
53	A-1744-743-A	MB-129 DC105-FR		Δ 60	1-840-224-11	HDD/SG-GARBO-S(160GB) (RDR-DC90/DC100)/DC105)	
53	A-1744-744-A	MB-129 DC200-AEP		Δ 60	1-797-993-11	HDD/SG-SUPERHAWK-S(250GB) (RDR-DC200/DC205)	
53	A-1744-749-A	MB-129 DC200-UK		Δ 60	1-840-198-11	HDD/SG-GARBO-S(320GB) (RDR-DC305)	
53	A-1744-745-A	MB-129 DC205-UK		Δ 60	1-840-263-11	HDD/HG-GEMINI-C-S(500GB) (RDR-DC500/DC505)	
53	A-1744-746-A	MB-129 DC205-AEP		61	3-087-220-01	TAPE, NON-HALOGENE	
53	A-1744-747-A	MB-129 DC205-FR		Δ TU2601	8-597-703-00	TUNER UNIT, DIGITAL BTD-HF415	
53	A-1744-748-A	MB-129 DC305-UK					
53	A-1744-750-A	MB-129 DC500-AEP					
53	A-1744-751-A	MB-129 DC505-UK					
53	A-1744-752-A	MB-129 DC505-AEP					
53	A-1744-753-A	MB-129 DC505-FR					

8-2. ELECTRICAL PARTS LIST

Note:

- Due to standardization, replacements in the parts list may be different from the parts specified in the diagrams or the components used on the set.
- -XX and -X mean standardized parts, so they may have some difference from the original one.
- Items marked "*" are not stocked since they are seldom required for routine service. Some delay should be anticipated when ordering these items.

- CAPACITORS
uF: μ F
- COILS
uH: μ H
- RESISTORS
All resistors are in ohms.
METAL: Metal-film resistor.
METAL OXIDE: Metal oxide-film resistor.
F: nonflammable

- SEMICONDUCTORS
In each case, u: μ , for example:
uA. . . : μ A. . . , uPA. . . , μ PA. . . ,
uPB. . . : μ PB. . . , uPC. . . , μ PC. . . ,
uPD. . . : μ PD. . .

When indicating parts by reference number please include the board name.

The components identified by mark Δ on the line with mark Δ are critical for safety. Replace only with part number specified.

Ref. No.	Part No.	Description	Remark	Ref. No.	Part No.	Description	Remark
	A-1733-521-A	FL-195 (AG) COMPLETE *****		R161	1-216-295-91	SHORT CHIP	0
		< CAPACITOR >		R162	1-216-864-11	SHORT CHIP	0
C101	1-115-156-11	CAP. CERAMIC	1uF 10V	R163	1-216-864-11	SHORT CHIP	0
C106	1-137-765-21	ELECT CHIP	47uF 20% 16V	R164	1-216-864-11	SHORT CHIP	0
C107	1-107-726-91	CERAMIC CHIP	0.01uF 10% 16V			< SWITCH >	
C112	1-164-230-11	CERAMIC CHIP	220PF 5% 50V	S101	1-786-726-11	SWITCH, TACTILE (POWER)	
C114	1-164-230-11	CERAMIC CHIP	220PF 5% 50V	S103	1-786-726-11	SWITCH, TACTILE (ONE-TOUCH-DUB)	
		< CONNECTOR >				< VARISTOR >	
CN103	1-819-866-11	USB CONNECTOR (A)		VDR104	1-804-499-21	VARISTOR, CHIP (1608)	
CN106	1-820-116-41	CONNECTOR, FFC/FPC 17P		*****			
CN106	1-820-116-51	CONNECTOR, FFC/FPC 17P			A-1733-523-A	FR-303 (AG) BOARD, COMPLETE	
* CN108	1-819-444-11	HEADER ASSEMBLY FOR PWB 11P				*****	
		< DIODE >			4-129-980-01	SPACER, FL	
D105	8-719-067-40	DIODE STZ6.8N-T146				< CAPACITOR >	
D107	8-719-067-40	DIODE STZ6.8N-T146		C202	1-117-681-11	ELECT CHIP	100uF 20% 16V
D108	8-719-067-40	DIODE STZ6.8N-T146		C206	1-115-339-11	CERAMIC CHIP	0.1uF 10% 50V
D109	8-719-067-40	DIODE STZ6.8N-T146		C207	1-126-400-11	ELECT CHIP	22uF 20% 35V
D111	8-719-067-40	DIODE STZ6.8N-T146		C208	1-115-339-11	CERAMIC CHIP	0.1uF 10% 50V
		< IC >		C213	1-162-927-11	CERAMIC CHIP	100PF 5% 50V
IC101	6-600-500-01	IC GP1UM28XK0SF		C214	1-162-927-11	CERAMIC CHIP	100PF 5% 50V
		< COIL >		C215	1-162-927-11	CERAMIC CHIP	100PF 5% 50V
L101	1-456-390-21	COMMOM MODE CHOKE COIL		C216	1-162-927-11	CERAMIC CHIP	100PF 5% 50V
L102	1-456-390-21	COMMOM MODE CHOKE COIL		C221	1-107-726-91	CERAMIC CHIP	0.01uF 10% 16V
		< RESISTOR >		C222	1-107-726-91	CERAMIC CHIP	0.01uF 10% 16V
R107	1-216-805-11	METAL CHIP	47 5% 1/10W	C223	1-115-339-11	CERAMIC CHIP	0.1uF 10% 50V
R111	1-216-864-11	SHORT CHIP	0			< CONNECTOR >	
R113	1-216-295-91	SHORT CHIP	0	CN203	1-820-116-41	CONNECTOR, FFC/FPC 17P	
R115	1-216-864-11	SHORT CHIP	0	CN203	1-820-116-51	CONNECTOR, FFC/FPC 17P	
R118	1-216-864-11	SHORT CHIP	0			< DIODE >	
R123	1-216-849-11	METAL CHIP	220K 5% 1/10W	D201	8-719-081-97	DIODE MMDL914T1	
R124	1-216-849-11	METAL CHIP	220K 5% 1/10W	D202	8-719-081-97	DIODE MMDL914T1	
R125	1-216-295-91	SHORT CHIP	0	D203	8-719-081-97	DIODE MMDL914T1	
R131	1-216-295-91	SHORT CHIP	0	D204	8-719-081-97	DIODE MMDL914T1	
R136	1-216-864-11	SHORT CHIP	0	D205	8-719-056-82	DIODE Udz-TE-17-6.2B	
R137	1-216-809-11	METAL CHIP	100 5% 1/10W	D206	6-501-817-01	DIODE MA2J1110GLS0	
R138	1-216-809-11	METAL CHIP	100 5% 1/10W	D207	6-501-817-01	DIODE MA2J1110GLS0	
R158	1-216-295-91	SHORT CHIP	0	D208	6-501-817-01	DIODE MA2J1110GLS0	
R159	1-216-295-91	SHORT CHIP	0	D209	6-501-817-01	DIODE MA2J1110GLS0	
R160	1-216-295-91	SHORT CHIP	0				

FR-303 **MB-129**

Ref. No.	Part No.	Description	Remark	Ref. No.	Part No.	Description	Remark
		< IC >					
IC201	6-701-729-01	IC PT6315		C1016	1-100-159-91	CERAMIC CHIP 22uF 10% 6.3V	
		< COIL >		C1017	1-100-911-11	CERAMIC CHIP 4.7uF 10% 25V	
L201	1-411-919-11	INDUCTOR 100uH		C1020	1-100-159-91	CERAMIC CHIP 22uF 10% 6.3V	
		< FLUORESCENT INDICATOR TUBE >		C1021	1-164-245-11	CERAMIC CHIP 0.015uF 10% 25V	
ND201	1-483-098-11	INDICATOR TUBE, FLUORESCENT		C1022	1-164-227-11	CERAMIC CHIP 0.022uF 10% 25V	
		< TRANSISTOR >		C1023	1-164-245-11	CERAMIC CHIP 0.015uF 10% 25V	
Q201	8-729-052-91	TRANSISTOR 2SD1898T100R		C1024	1-162-968-11	CERAMIC CHIP 0.0047uF 10% 50V	
Q202	8-729-052-91	TRANSISTOR 2SD1898T100R		C1025	1-164-245-11	CERAMIC CHIP 0.015uF 10% 25V	
		< RESISTOR >		C1026	1-162-969-11	CERAMIC CHIP 0.0068uF 10% 25V	
R202	1-216-827-11	METAL CHIP 3.3K 5% 1/10W		C1030	1-100-911-11	CERAMIC CHIP 4.7uF 10% 25V	
R203	1-216-838-11	METAL CHIP 27K 5% 1/10W		C1045	1-114-246-11	CERAMIC CHIP 1uF 20% 25V	
R204	1-216-809-11	METAL CHIP 100 5% 1/10W		C1046	1-137-765-21	ELECT CHIP 47uF 20% 16V	
R205	1-216-809-11	METAL CHIP 100 5% 1/10W		C1047	1-128-992-21	ELECT CHIP 47uF 20% 25V	
R206	1-216-809-11	METAL CHIP 100 5% 1/10W		C1049	1-114-246-11	CERAMIC CHIP 1uF 20% 25V	
R207	1-216-809-11	METAL CHIP 100 5% 1/10W		C1050	1-114-326-11	CERAMIC CHIP 0.22uF 10% 25V	
R208	1-216-833-11	METAL CHIP 10K 5% 1/10W		C1051	1-114-507-11	CERAMIC CHIP 1uF 10% 50V	
R209	1-216-833-11	METAL CHIP 10K 5% 1/10W		C1052	1-114-326-11	CERAMIC CHIP 0.22uF 10% 25V	
R210	1-216-845-11	METAL CHIP 100K 5% 1/10W		C1053	1-114-326-11	CERAMIC CHIP 0.22uF 10% 25V	
R238	1-216-295-91	SHORT CHIP 0		C1054	1-114-507-11	CERAMIC CHIP 1uF 10% 50V	
R239	1-216-295-91	SHORT CHIP 0		C1101	1-114-246-11	CERAMIC CHIP 1uF 20% 25V	
		< SWITCH >		C1102	1-100-911-11	CERAMIC CHIP 4.7uF 10% 25V	
S201	1-786-726-11	SWITCH, TACTILE (PLAY)		C1103	1-100-911-11	CERAMIC CHIP 4.7uF 10% 25V	
S202	1-786-726-11	SWITCH, TACTILE (EJECT)		C1206	1-112-717-91	CERAMIC CHIP 1uF 10% 6.3V	
S203	1-786-726-11	SWITCH, TACTILE (STOP)		C1207	1-100-905-11	CERAMIC CHIP 0.001uF 10% 50V	
S204	1-786-726-11	SWITCH, TACTILE (REC STOP)		C1208	1-100-905-11	CERAMIC CHIP 0.001uF 10% 50V	
S205	1-786-726-11	SWITCH, TACTILE (PROGRAM -)		C1209	1-100-905-11	CERAMIC CHIP 0.001uF 10% 50V	
S206	1-786-726-11	SWITCH, TACTILE (REC)		C1210	1-100-905-11	CERAMIC CHIP 0.001uF 10% 50V	
S207	1-786-726-11	SWITCH, TACTILE (INPUT)		C1211	1-100-905-11	CERAMIC CHIP 0.001uF 10% 50V	
S208	1-786-726-11	SWITCH, TACTILE (PROGRAM +)		C1212	1-100-905-11	CERAMIC CHIP 0.001uF 10% 50V	
S209	1-786-726-11	SWITCH, TACTILE (RESET)		C1213	1-112-717-91	CERAMIC CHIP 1uF 10% 6.3V	
		< TRANSFORMER >		C1214	1-100-905-11	CERAMIC CHIP 0.001uF 10% 50V	
* T201	1-445-728-11	TRANSFORMER, DC-DC CONVERTER		C1215	1-114-367-11	CERAMIC CHIP 0.1uF 20% 6.3V	

MB-129 BOARD							

		< CAPACITOR >		C1216	1-114-367-11	CERAMIC CHIP 0.1uF 20% 6.3V	
C1001	1-100-567-81	CERAMIC CHIP 0.01uF 10% 25V		C1217	1-114-367-11	CERAMIC CHIP 0.1uF 20% 6.3V	
C1002	1-100-567-81	CERAMIC CHIP 0.01uF 10% 25V		C1218	1-114-367-11	CERAMIC CHIP 0.1uF 20% 6.3V	
C1003	1-100-567-81	CERAMIC CHIP 0.01uF 10% 25V		C1219	1-100-905-11	CERAMIC CHIP 0.001uF 10% 50V	
C1007	1-114-553-11	CERAMIC CHIP 10uF 10% 16V		C1220	1-100-905-11	CERAMIC CHIP 0.001uF 10% 50V	
C1009	1-114-553-11	CERAMIC CHIP 10uF 10% 16V		C1221	1-112-717-91	CERAMIC CHIP 1uF 10% 6.3V	
C1010	1-100-905-11	CERAMIC CHIP 0.001uF 10% 50V		C1223	1-114-367-11	CERAMIC CHIP 0.1uF 20% 6.3V	
C1011	1-114-553-11	CERAMIC CHIP 10uF 10% 16V		C1224	1-114-367-11	CERAMIC CHIP 0.1uF 20% 6.3V	
C1012	1-100-905-11	CERAMIC CHIP 0.001uF 10% 50V		C1225	1-114-367-11	CERAMIC CHIP 0.1uF 20% 6.3V	
C1013	1-114-246-11	CERAMIC CHIP 1uF 20% 25V		C1226	1-114-367-11	CERAMIC CHIP 0.1uF 20% 6.3V	
C1014	1-100-159-91	CERAMIC CHIP 22uF 10% 6.3V		C1227	1-112-717-91	CERAMIC CHIP 1uF 10% 6.3V	
C1015	1-100-159-91	CERAMIC CHIP 22uF 10% 6.3V		C1228	1-112-717-91	CERAMIC CHIP 1uF 10% 6.3V	
				C1229	1-112-717-91	CERAMIC CHIP 1uF 10% 6.3V	
				C1232	1-164-858-11	CERAMIC CHIP 22PF 5% 50V	
				C1233	1-164-854-11	CERAMIC CHIP 15PF 5% 50V	
				C1238	1-100-916-11	CERAMIC CHIP 0.1uF 10% 16V	
				C1239	1-100-916-11	CERAMIC CHIP 0.1uF 10% 16V	
				C1240	1-100-916-11	CERAMIC CHIP 0.1uF 10% 16V	
				C1241	1-100-916-11	CERAMIC CHIP 0.1uF 10% 16V	
				C1242	1-100-916-11	CERAMIC CHIP 0.1uF 10% 16V	
				C1243	1-100-916-11	CERAMIC CHIP 0.1uF 10% 16V	
				C1244	1-100-909-11	CERAMIC CHIP 10uF 10% 6.3V	
				C1245	1-164-943-81	CERAMIC CHIP 0.01uF 10% 16V	
				C1246	1-164-943-81	CERAMIC CHIP 0.01uF 10% 16V	
				C1247	1-164-943-81	CERAMIC CHIP 0.01uF 10% 16V	
				C1248	1-164-943-81	CERAMIC CHIP 0.01uF 10% 16V	
				C1249	1-164-943-81	CERAMIC CHIP 0.01uF 10% 16V	
				C1250	1-100-916-11	CERAMIC CHIP 0.1uF 10% 16V	

Ref. No.	Part No.	Description	Remark	Ref. No.	Part No.	Description	Remark
C1251	1-100-916-11	CERAMIC CHIP	0.1uF 10% 16V	C1448	1-100-905-11	CERAMIC CHIP	0.001uF 10% 50V
C1252	1-100-916-11	CERAMIC CHIP	0.1uF 10% 16V	C1449	1-112-717-91	CERAMIC CHIP	1uF 10% 6.3V
C1253	1-100-916-11	CERAMIC CHIP	0.1uF 10% 16V	C1450	1-100-905-11	CERAMIC CHIP	0.001uF 10% 50V
C1254	1-100-916-11	CERAMIC CHIP	0.1uF 10% 16V	C1451	1-112-717-91	CERAMIC CHIP	1uF 10% 6.3V
C1255	1-100-916-11	CERAMIC CHIP	0.1uF 10% 16V	C1452	1-112-717-91	CERAMIC CHIP	1uF 10% 6.3V
C1256	1-100-916-11	CERAMIC CHIP	0.1uF 10% 16V	C1453	1-112-717-91	CERAMIC CHIP	1uF 10% 6.3V
C1257	1-100-916-11	CERAMIC CHIP	0.1uF 10% 16V	C1454	1-112-717-91	CERAMIC CHIP	1uF 10% 6.3V
C1258	1-100-916-11	CERAMIC CHIP	0.1uF 10% 16V	C1455	1-112-717-91	CERAMIC CHIP	1uF 10% 6.3V
C1259	1-100-916-11	CERAMIC CHIP	0.1uF 10% 16V	C1456	1-100-905-11	CERAMIC CHIP	0.001uF 10% 50V
C1261	1-100-966-91	CERAMIC CHIP	10uF 20% 10V	C1601	1-100-916-11	CERAMIC CHIP	0.1uF 10% 16V
C1266	1-100-905-11	CERAMIC CHIP	0.001uF 10% 50V	C1602	1-100-916-11	CERAMIC CHIP	0.1uF 10% 16V
C1267	1-100-916-11	CERAMIC CHIP	0.1uF 10% 16V	C1809	1-100-916-11	CERAMIC CHIP	0.1uF 10% 16V
C1268	1-164-943-81	CERAMIC CHIP	0.01uF 10% 16V	C1810	1-128-392-11	ELECT CHIP	470uF 20% 6.3V
C1401	1-112-717-91	CERAMIC CHIP	1uF 10% 6.3V	C1811	1-164-845-11	CERAMIC CHIP	5PF 0.25PF 50V
C1402	1-112-717-91	CERAMIC CHIP	1uF 10% 6.3V	C1812	1-164-845-11	CERAMIC CHIP	5PF 0.25PF 50V
C1403	1-100-905-11	CERAMIC CHIP	0.001uF 10% 50V	C1816	1-100-916-11	CERAMIC CHIP	0.1uF 10% 16V
C1404	1-100-905-11	CERAMIC CHIP	0.001uF 10% 50V	C1901	1-100-916-11	CERAMIC CHIP	0.1uF 10% 16V
C1405	1-100-905-11	CERAMIC CHIP	0.001uF 10% 50V	C1904	1-100-916-11	CERAMIC CHIP	0.1uF 10% 16V
C1406	1-114-367-11	CERAMIC CHIP	0.1uF 20% 6.3V	C1908	1-100-916-11	CERAMIC CHIP	0.1uF 10% 16V
C1407	1-114-367-11	CERAMIC CHIP	0.1uF 20% 6.3V	C1910	1-100-916-11	CERAMIC CHIP	0.1uF 10% 16V
C1408	1-114-367-11	CERAMIC CHIP	0.1uF 20% 6.3V	C1911	1-112-717-91	CERAMIC CHIP	1uF 10% 6.3V
C1409	1-114-367-11	CERAMIC CHIP	0.1uF 20% 6.3V	C1912	1-100-916-11	CERAMIC CHIP	0.1uF 10% 16V
C1410	1-114-367-11	CERAMIC CHIP	0.1uF 20% 6.3V	C1913	1-112-717-91	CERAMIC CHIP	1uF 10% 6.3V
C1411	1-100-916-11	CERAMIC CHIP	0.1uF 10% 16V	C1915	1-100-916-11	CERAMIC CHIP	0.1uF 10% 16V
C1412	1-112-717-91	CERAMIC CHIP	1uF 10% 6.3V	C1917	1-100-916-11	CERAMIC CHIP	0.1uF 10% 16V
C1413	1-100-905-11	CERAMIC CHIP	0.001uF 10% 50V	C2203	1-112-781-11	CERAMIC CHIP	1uF 10% 10V
C1414	1-100-905-11	CERAMIC CHIP	0.001uF 10% 50V	C2206	1-100-966-91	CERAMIC CHIP	10uF 20% 10V
C1415	1-112-717-91	CERAMIC CHIP	1uF 10% 6.3V	C2207	1-164-850-11	CERAMIC CHIP	10PF 0.5PF 50V
C1416	1-100-905-11	CERAMIC CHIP	0.001uF 10% 50V	C2208	1-164-850-11	CERAMIC CHIP	10PF 0.5PF 50V
C1417	1-100-905-11	CERAMIC CHIP	0.001uF 10% 50V	C2211	1-100-916-11	CERAMIC CHIP	0.1uF 10% 16V
C1418	1-112-717-91	CERAMIC CHIP	1uF 10% 6.3V	C2212	1-100-916-11	CERAMIC CHIP	0.1uF 10% 16V
C1419	1-112-717-91	CERAMIC CHIP	1uF 10% 6.3V	C2213	1-100-916-11	CERAMIC CHIP	0.1uF 10% 16V
C1420	1-100-905-11	CERAMIC CHIP	0.001uF 10% 50V	C2216	1-114-367-11	CERAMIC CHIP	0.1uF 20% 6.3V
C1421	1-112-717-91	CERAMIC CHIP	1uF 10% 6.3V	C2223	1-164-852-11	CERAMIC CHIP	12PF 5% 50V
C1422	1-100-905-11	CERAMIC CHIP	0.001uF 10% 50V	C2224	1-164-852-11	CERAMIC CHIP	12PF 5% 50V
C1423	1-112-717-91	CERAMIC CHIP	1uF 10% 6.3V	C2225	1-100-916-11	CERAMIC CHIP	0.1uF 10% 16V
C1424	1-112-717-91	CERAMIC CHIP	1uF 10% 6.3V	C2228	1-100-916-11	CERAMIC CHIP	0.1uF 10% 16V
C1425	1-100-905-11	CERAMIC CHIP	0.001uF 10% 50V	C2230	1-100-916-11	CERAMIC CHIP	0.1uF 10% 16V
C1426	1-112-717-91	CERAMIC CHIP	1uF 10% 6.3V	C2233	1-100-916-11	CERAMIC CHIP	0.1uF 10% 16V
C1427	1-112-717-91	CERAMIC CHIP	1uF 10% 6.3V	C2234	1-112-717-91	CERAMIC CHIP	1uF 10% 6.3V
C1428	1-100-905-11	CERAMIC CHIP	0.001uF 10% 50V	C2236	1-100-916-11	CERAMIC CHIP	0.1uF 10% 16V
C1429	1-112-717-91	CERAMIC CHIP	1uF 10% 6.3V	C2237	1-100-574-81	CERAMIC CHIP	270PF 10% 50V
C1430	1-112-717-91	CERAMIC CHIP	1uF 10% 6.3V	C2238	1-100-916-11	CERAMIC CHIP	0.1uF 10% 16V
C1431	1-100-905-11	CERAMIC CHIP	0.001uF 10% 50V	C2240	1-100-916-11	CERAMIC CHIP	0.1uF 10% 16V
C1432	1-112-717-91	CERAMIC CHIP	1uF 10% 6.3V	C2247	1-100-909-11	CERAMIC CHIP	10uF 10% 6.3V
C1433	1-100-905-11	CERAMIC CHIP	0.001uF 10% 50V	C2248	1-100-567-81	CERAMIC CHIP	0.01uF 10% 25V
C1434	1-100-905-11	CERAMIC CHIP	0.001uF 10% 50V	C2249	1-100-567-81	CERAMIC CHIP	0.01uF 10% 25V
C1435	1-100-905-11	CERAMIC CHIP	0.001uF 10% 50V	C2250	1-100-567-81	CERAMIC CHIP	0.01uF 10% 25V
C1436	1-112-717-91	CERAMIC CHIP	1uF 10% 6.3V	C2251	1-100-567-81	CERAMIC CHIP	0.01uF 10% 25V
C1437	1-112-717-91	CERAMIC CHIP	1uF 10% 6.3V	C2401	1-100-916-11	CERAMIC CHIP	0.1uF 10% 16V
C1438	1-112-717-91	CERAMIC CHIP	1uF 10% 6.3V	C2403	1-126-210-21	ELECT CHIP	220uF 20% 4V
C1439	1-112-717-91	CERAMIC CHIP	1uF 10% 6.3V	C2404	1-112-781-11	CERAMIC CHIP	1uF 10% 10V
C1440	1-112-717-91	CERAMIC CHIP	1uF 10% 6.3V	C2406	1-112-717-91	CERAMIC CHIP	1uF 10% 6.3V
C1441	1-112-717-91	CERAMIC CHIP	1uF 10% 6.3V	C2407	1-100-905-11	CERAMIC CHIP	0.001uF 10% 50V
C1442	1-100-905-11	CERAMIC CHIP	0.001uF 10% 50V	C2408	1-112-717-91	CERAMIC CHIP	1uF 10% 6.3V
C1443	1-100-905-11	CERAMIC CHIP	0.001uF 10% 50V	C2409	1-100-905-11	CERAMIC CHIP	0.001uF 10% 50V
C1444	1-112-717-91	CERAMIC CHIP	1uF 10% 6.3V	C2410	1-112-717-91	CERAMIC CHIP	1uF 10% 6.3V
C1445	1-112-717-91	CERAMIC CHIP	1uF 10% 6.3V	C2411	1-100-905-11	CERAMIC CHIP	0.001uF 10% 50V
C1446	1-100-905-11	CERAMIC CHIP	0.001uF 10% 50V	C2412	1-112-717-91	CERAMIC CHIP	1uF 10% 6.3V
C1447	1-112-717-91	CERAMIC CHIP	1uF 10% 6.3V	C2413	1-100-905-11	CERAMIC CHIP	0.001uF 10% 50V

MB-129

Ref. No.	Part No.	Description	Remark	Ref. No.	Part No.	Description	Remark
C2414	1-112-717-91	CERAMIC CHIP 1uF 10%	6.3V	C2821	1-112-780-11	CERAMIC CHIP 0.47uF 10%	16V
C2415	1-112-717-91	CERAMIC CHIP 1uF 10%	6.3V			(RDR-DC105/DC205/DC305/DC505)	
C2416	1-100-566-91	CERAMIC CHIP 0.1uF 10%	25V	C2823	1-114-331-11	CERAMIC CHIP 4.7uF 10%	10V
C2417	1-100-566-91	CERAMIC CHIP 0.1uF 10%	25V			(RDR-DC105/DC205/DC305/DC505)	
C2418	1-100-566-91	CERAMIC CHIP 0.1uF 10%	25V	C2829	1-100-916-11	CERAMIC CHIP 0.1uF 10%	16V
						(RDR-DC105/DC205/DC305/DC505)	
C2419	1-100-566-91	CERAMIC CHIP 0.1uF 10%	25V	C2835	1-100-916-11	CERAMIC CHIP 0.1uF 10%	16V
C2420	1-164-943-81	CERAMIC CHIP 0.01uF 10%	16V	C2836	1-112-780-11	CERAMIC CHIP 0.47uF 10%	16V
C2425	1-112-717-91	CERAMIC CHIP 1uF 10%	6.3V				
C2601	1-162-966-11	CERAMIC CHIP 0.0022uF 10%	50V	C2837	1-100-916-11	CERAMIC CHIP 0.1uF 10%	16V
C2603	1-162-966-11	CERAMIC CHIP 0.0022uF 10%	50V			(RDR-DC105/DC205/DC305/DC505)	
				C3001	1-100-742-91	CERAMIC CHIP 2.2uF 20%	10V
C2607	1-162-966-11	CERAMIC CHIP 0.0022uF 10%	50V	C3002	1-100-742-91	CERAMIC CHIP 2.2uF 20%	10V
C2608	1-100-767-21	ELECT CHIP 220uF 20%	16V	C3003	1-100-742-91	CERAMIC CHIP 2.2uF 20%	10V
C2609	1-164-939-11	CERAMIC CHIP 0.0022uF 10%	50V	C3004	1-100-742-91	CERAMIC CHIP 2.2uF 20%	10V
C2611	1-100-966-91	CERAMIC CHIP 10uF 20%	10V				
C2613	1-100-916-11	CERAMIC CHIP 0.1uF 10%	16V	C3007	1-126-205-11	ELECT CHIP 47uF 20%	6.3V
				C3008	1-100-916-11	CERAMIC CHIP 0.1uF 10%	16V
C2617	1-100-916-11	CERAMIC CHIP 0.1uF 10%	16V	C3009	1-100-916-11	CERAMIC CHIP 0.1uF 10%	16V
C2620	1-100-916-11	CERAMIC CHIP 0.1uF 10%	16V	C3010	1-112-780-11	CERAMIC CHIP 0.47uF 10%	16V
C2621	1-100-916-11	CERAMIC CHIP 0.1uF 10%	16V	C3011	1-100-916-11	CERAMIC CHIP 0.1uF 10%	16V
C2622	1-100-916-11	CERAMIC CHIP 0.1uF 10%	16V				
C2623	1-100-916-11	CERAMIC CHIP 0.1uF 10%	16V	C3012	1-100-916-11	CERAMIC CHIP 0.1uF 10%	16V
				C3013	1-107-819-11	CERAMIC CHIP 0.022uF 10%	16V
C2624	1-112-717-91	CERAMIC CHIP 1uF 10%	6.3V	C3014	1-100-916-11	CERAMIC CHIP 0.1uF 10%	16V
C2625	1-112-717-91	CERAMIC CHIP 1uF 10%	6.3V	C3015	1-100-916-11	CERAMIC CHIP 0.1uF 10%	16V
C2626	1-127-573-11	CERAMIC CHIP 1uF 10%	16V	C3016	1-107-819-11	CERAMIC CHIP 0.022uF 10%	16V
C2627	1-127-573-11	CERAMIC CHIP 1uF 10%	16V				
C2628	1-127-573-11	CERAMIC CHIP 1uF 10%	16V	C3017	1-107-819-11	CERAMIC CHIP 0.022uF 10%	16V
				C3018	1-107-819-11	CERAMIC CHIP 0.022uF 10%	16V
C2629	1-127-573-11	CERAMIC CHIP 1uF 10%	16V	C3019	1-107-819-11	CERAMIC CHIP 0.022uF 10%	16V
C2630	1-100-916-11	CERAMIC CHIP 0.1uF 10%	16V	C3020	1-100-916-11	CERAMIC CHIP 0.1uF 10%	16V
C2631	1-135-366-11	ELECT CHIP 100uF 20%	16V	C3021	1-107-819-11	CERAMIC CHIP 0.022uF 10%	16V
C2644	1-100-916-11	CERAMIC CHIP 0.1uF 10%	16V				
C2645	1-100-966-91	CERAMIC CHIP 10uF 20%	10V	C3022	1-107-819-11	CERAMIC CHIP 0.022uF 10%	16V
				C3023	1-107-819-11	CERAMIC CHIP 0.022uF 10%	16V
C2646	1-100-966-91	CERAMIC CHIP 10uF 20%	10V	C3024	1-107-819-11	CERAMIC CHIP 0.022uF 10%	16V
C2647	1-164-315-11	CERAMIC CHIP 470PF 5%	50V	C3025	1-100-916-11	CERAMIC CHIP 0.1uF 10%	16V
C2648	1-162-966-11	CERAMIC CHIP 0.0022uF 10%	50V	C3026	1-100-916-11	CERAMIC CHIP 0.1uF 10%	16V
C2649	1-164-315-11	CERAMIC CHIP 470PF 5%	50V				
C2650	1-164-315-11	CERAMIC CHIP 470PF 5%	50V	C3027	1-100-916-11	CERAMIC CHIP 0.1uF 10%	16V
				C3028	1-100-916-11	CERAMIC CHIP 0.1uF 10%	16V
C2651	1-164-315-11	CERAMIC CHIP 470PF 5%	50V	C3029	1-100-916-11	CERAMIC CHIP 0.1uF 10%	16V
C2652	1-164-315-11	CERAMIC CHIP 470PF 5%	50V	C3030	1-107-819-11	CERAMIC CHIP 0.022uF 10%	16V
C2801	1-100-916-11	CERAMIC CHIP 0.1uF 10%	16V	C3031	1-107-819-11	CERAMIC CHIP 0.022uF 10%	16V
						(RDR-DC105/DC205/DC305/DC505)	
C2802	1-100-916-11	CERAMIC CHIP 0.1uF 10%	16V	C3032	1-107-819-11	CERAMIC CHIP 0.022uF 10%	16V
				C3033	1-107-819-11	CERAMIC CHIP 0.022uF 10%	16V
				C3034	1-107-819-11	CERAMIC CHIP 0.022uF 10%	16V
C2803	1-100-916-11	CERAMIC CHIP 0.1uF 10%	16V	C3035	1-100-916-11	CERAMIC CHIP 0.1uF 10%	16V
				C3036	1-107-819-11	CERAMIC CHIP 0.022uF 10%	16V
						(RDR-DC105/DC205/DC305/DC505)	
C2804	1-164-943-81	CERAMIC CHIP 0.01uF 10%	16V	C3037	1-107-819-11	CERAMIC CHIP 0.022uF 10%	16V
C2806	1-164-842-11	CERAMIC CHIP 2PF 0.25PF	50V	C3038	1-100-916-11	CERAMIC CHIP 0.1uF 10%	16V
C2807	1-164-842-11	CERAMIC CHIP 2PF 0.25PF	50V	C3039	1-107-819-11	CERAMIC CHIP 0.022uF 10%	16V
C2808	1-100-916-11	CERAMIC CHIP 0.1uF 10%	16V	C3040	1-107-819-11	CERAMIC CHIP 0.022uF 10%	16V
				C3041	1-107-819-11	CERAMIC CHIP 0.022uF 10%	16V
						(RDR-DC105/DC205/DC305/DC505)	
C2810	1-100-916-11	CERAMIC CHIP 0.1uF 10%	16V	C3042	1-100-916-11	CERAMIC CHIP 0.1uF 10%	16V
				C3043	1-100-916-11	CERAMIC CHIP 0.1uF 10%	16V
				C3044	1-100-916-11	CERAMIC CHIP 0.1uF 10%	16V
C2811	1-100-916-11	CERAMIC CHIP 0.1uF 10%	16V	C3045	1-100-916-11	CERAMIC CHIP 0.1uF 10%	16V
				C3046	1-164-852-11	CERAMIC CHIP 12PF 5%	50V
						(RDR-DC105/DC205/DC305/DC505)	
C2812	1-100-916-11	CERAMIC CHIP 0.1uF 10%	16V	C3047	1-164-850-11	CERAMIC CHIP 10PF 0.5PF	50V
				C3049	1-112-746-11	CERAMIC CHIP 4.7uF 10%	6.3V
C2813	1-100-916-11	CERAMIC CHIP 0.1uF 10%	16V	C3050	1-112-746-11	CERAMIC CHIP 4.7uF 10%	6.3V
				C3051	1-100-916-11	CERAMIC CHIP 0.1uF 10%	16V
C2816	1-112-780-11	CERAMIC CHIP 0.47uF 10%	16V	C3052	1-112-746-11	CERAMIC CHIP 4.7uF 10%	6.3V
				C3053	1-114-331-11	CERAMIC CHIP 4.7uF 10%	10V
						(RDR-DC105/DC205/DC305/DC505)	
C2818	1-114-331-11	CERAMIC CHIP 4.7uF 10%	10V	C3054	1-112-780-11	CERAMIC CHIP 0.47uF 10%	16V
						(RDR-DC105/DC205/DC305/DC505)	

Ref. No.	Part No.	Description	Remark
C3055	1-100-916-11	CERAMIC CHIP 0.1uF	10% 16V
C3056	1-100-916-11	CERAMIC CHIP 0.1uF	10% 16V
C3057	1-100-916-11	CERAMIC CHIP 0.1uF	10% 16V
C3059	1-126-205-11	ELECT CHIP 47uF	20% 6.3V
C3060	1-126-205-11	ELECT CHIP 47uF	20% 6.3V
C3063	1-100-916-11	CERAMIC CHIP 0.1uF	10% 16V
C3064	1-107-819-11	CERAMIC CHIP 0.022uF	10% 16V
C3201	1-100-966-91	CERAMIC CHIP 10uF	20% 10V
C3202	1-100-352-91	CERAMIC CHIP 1uF	20% 16V
C3203	1-100-916-11	CERAMIC CHIP 0.1uF	10% 16V
C3204	1-100-916-11	CERAMIC CHIP 0.1uF	10% 16V
C3205	1-100-352-91	CERAMIC CHIP 1uF	20% 16V
C3206	1-100-966-91	CERAMIC CHIP 10uF	20% 10V
C3207	1-100-916-11	CERAMIC CHIP 0.1uF	10% 16V
C3208	1-100-916-11	CERAMIC CHIP 0.1uF	10% 16V
C3209	1-100-916-11	CERAMIC CHIP 0.1uF	10% 16V
C3210	1-100-670-11	CERAMIC CHIP 4.7uF	20% 16V
C3211	1-100-966-91	CERAMIC CHIP 10uF	20% 10V
C3212	1-128-992-21	ELECT CHIP 47uF	20% 25V
C3213	1-107-826-11	CERAMIC CHIP 0.1uF	10% 16V
C3214	1-107-826-11	CERAMIC CHIP 0.1uF	10% 16V
C3215	1-100-352-91	CERAMIC CHIP 1uF	20% 16V
C3216	1-100-352-91	CERAMIC CHIP 1uF	20% 16V
C3217	1-165-908-11	CERAMIC CHIP 1uF	10% 10V
C3218	1-165-908-11	CERAMIC CHIP 1uF	10% 10V
C3219	1-165-908-11	CERAMIC CHIP 1uF	10% 10V
C3220	1-165-908-11	CERAMIC CHIP 1uF	10% 10V
C3222	1-100-916-11	CERAMIC CHIP 0.1uF	10% 16V
C3223	1-112-717-91	CERAMIC CHIP 1uF	10% 6.3V
C3224	1-165-908-11	CERAMIC CHIP 1uF	10% 10V
C3225	1-112-717-91	CERAMIC CHIP 1uF	10% 6.3V
C3226	1-165-908-11	CERAMIC CHIP 1uF	10% 10V
C3227	1-112-717-91	CERAMIC CHIP 1uF	10% 6.3V
C3228	1-165-908-11	CERAMIC CHIP 1uF	10% 10V
C3229	1-100-916-11	CERAMIC CHIP 0.1uF	10% 16V
C3230	1-165-908-11	CERAMIC CHIP 1uF	10% 10V
C3231	1-112-717-91	CERAMIC CHIP 1uF	10% 6.3V
C3232	1-112-717-91	CERAMIC CHIP 1uF	10% 6.3V
C3233	1-112-717-91	CERAMIC CHIP 1uF	10% 6.3V
C3234	1-112-717-91	CERAMIC CHIP 1uF	10% 6.3V
C3235	1-112-717-91	CERAMIC CHIP 1uF	10% 6.3V
C3236	1-112-717-91	CERAMIC CHIP 1uF	10% 6.3V
C3237	1-112-717-91	CERAMIC CHIP 1uF	10% 6.3V
C3238	1-165-908-11	CERAMIC CHIP 1uF	10% 10V
C3239	1-100-916-11	CERAMIC CHIP 0.1uF	10% 16V
C3240	1-112-717-91	CERAMIC CHIP 1uF	10% 6.3V
C3241	1-100-567-81	CERAMIC CHIP 0.01uF	10% 25V
C3242	1-100-916-11	CERAMIC CHIP 0.1uF	10% 16V
C3243	1-100-916-11	CERAMIC CHIP 0.1uF	10% 16V
C3244	1-100-966-91	CERAMIC CHIP 10uF	20% 10V
C3245	1-100-966-91	CERAMIC CHIP 10uF	20% 10V
C3246	1-100-567-81	CERAMIC CHIP 0.01uF	10% 25V
C3247	1-100-567-81	CERAMIC CHIP 0.01uF	10% 25V
C3248	1-114-332-11	CERAMIC CHIP 22uF	10% 6.3V
C3249	1-100-582-21	ELECT CHIP 470uF	20% 4V
C3250	1-100-582-21	ELECT CHIP 470uF	20% 4V
C3251	1-100-582-21	ELECT CHIP 470uF	20% 4V
C3252	1-100-582-21	ELECT CHIP 470uF	20% 4V
C3253	1-100-582-21	ELECT CHIP 470uF	20% 4V
C3255	1-100-582-21	ELECT CHIP 470uF	20% 4V

Ref. No.	Part No.	Description	Remark
C3257	1-164-315-11	CERAMIC CHIP 470PF	5% 50V
C3259	1-162-923-11	CERAMIC CHIP 47PF	5% 50V
C3262	1-117-681-11	ELECT CHIP 100uF	20% 16V
C3263	1-100-582-21	ELECT CHIP 470uF	20% 4V
C3264	1-100-582-21	ELECT CHIP 470uF	20% 4V
C3265	1-100-582-21	ELECT CHIP 470uF	20% 4V
C3268	1-164-315-11	CERAMIC CHIP 470PF	5% 50V
C3273	1-137-765-21	ELECT CHIP 47uF	20% 16V
C3274	1-164-315-11	CERAMIC CHIP 470PF	5% 50V
C3275	1-162-927-11	CERAMIC CHIP 100PF	5% 50V
C3279	1-164-315-11	CERAMIC CHIP 470PF	5% 50V
C3280	1-164-315-11	CERAMIC CHIP 470PF	5% 50V
C3281	1-164-315-11	CERAMIC CHIP 470PF	5% 50V
C3282	1-164-315-11	CERAMIC CHIP 470PF	5% 50V
C3283	1-164-315-11	CERAMIC CHIP 470PF	5% 50V
C3284	1-164-315-11	CERAMIC CHIP 470PF	5% 50V
C3285	1-164-315-11	CERAMIC CHIP 470PF	5% 50V
C3286	1-137-765-21	ELECT CHIP 47uF	20% 16V
C3287	1-137-765-21	ELECT CHIP 47uF	20% 16V
C3288	1-112-717-91	CERAMIC CHIP 1uF	10% 6.3V
C3289	1-112-717-91	CERAMIC CHIP 1uF	10% 6.3V
C3290	1-100-352-91	CERAMIC CHIP 1uF	20% 16V
C3291	1-100-352-91	CERAMIC CHIP 1uF	20% 16V
C3292	1-100-916-11	CERAMIC CHIP 0.1uF	10% 16V
C3294	1-100-916-11	CERAMIC CHIP 0.1uF	10% 16V
C3298	1-112-717-91	CERAMIC CHIP 1uF	10% 6.3V
C3299	1-112-717-91	CERAMIC CHIP 1uF	10% 6.3V
C3300	1-112-717-91	CERAMIC CHIP 1uF	10% 6.3V
C3303	1-100-742-91	CERAMIC CHIP 2.2uF	20% 10V
C3304	1-100-742-91	CERAMIC CHIP 2.2uF	20% 10V
C3305	1-100-916-11	CERAMIC CHIP 0.1uF	10% 16V
C3401	1-165-908-11	CERAMIC CHIP 1uF	10% 10V
C3403	1-100-916-11	CERAMIC CHIP 0.1uF	10% 16V
C3404	1-112-717-91	CERAMIC CHIP 1uF	10% 6.3V
C3405	1-100-905-11	CERAMIC CHIP 0.001uF	10% 50V
C3406	1-165-908-11	CERAMIC CHIP 1uF	10% 10V
C3407	1-126-205-11	ELECT CHIP 47uF	20% 6.3V
C3408	1-100-916-11	CERAMIC CHIP 0.1uF	10% 16V
C3409	1-100-916-11	CERAMIC CHIP 0.1uF	10% 16V
C3410	1-100-916-11	CERAMIC CHIP 0.1uF	10% 16V
C3411	1-165-492-21	ELECT CHIP 100uF	20% 10V
C3413	1-137-764-21	ELECT CHIP 22uF	20% 16V
C3414	1-137-764-21	ELECT CHIP 22uF	20% 16V
C3415	1-165-908-11	CERAMIC CHIP 1uF	10% 10V
C3416	1-124-779-00	ELECT CHIP 10uF	20% 16V
C3417	1-100-916-11	CERAMIC CHIP 0.1uF	10% 16V
C3418	1-117-681-11	ELECT CHIP 100uF	20% 16V
C3419	1-164-872-11	CERAMIC CHIP 82PF	5% 50V
* C3420	1-100-741-81	CERAMIC CHIP 560PF	5% 50V
* C3421	1-100-741-81	CERAMIC CHIP 560PF	5% 50V
C3422	1-164-872-11	CERAMIC CHIP 82PF	5% 50V
C3423	1-100-916-11	CERAMIC CHIP 0.1uF	10% 16V
C3501	1-112-781-11	CERAMIC CHIP 1uF	10% 10V
C3502	1-100-916-11	CERAMIC CHIP 0.1uF	10% 16V
C3503	1-100-909-11	CERAMIC CHIP 10uF	10% 6.3V
C3504	1-100-909-11	CERAMIC CHIP 10uF	10% 6.3V
C3505	1-164-943-81	CERAMIC CHIP 0.01uF	10% 16V
C3506	1-100-909-11	CERAMIC CHIP 10uF	10% 6.3V
C3507	1-164-943-81	CERAMIC CHIP 0.01uF	10% 16V
C3508	1-100-909-11	CERAMIC CHIP 10uF	10% 6.3V

MB-129

Ref. No.	Part No.	Description	Remark	Ref. No.	Part No.	Description	Remark
C3510	1-100-916-11	CERAMIC CHIP 0.1uF 10%	16V	FB2604	1-500-283-11	INDUCTOR, FERRITE BEAD	
C3511	1-100-916-11	CERAMIC CHIP 0.1uF 10%	16V	FB2606	1-414-760-21	INDUCTOR, FERRITE BEAD	
C3512	1-100-916-11	CERAMIC CHIP 0.1uF 10%	16V	FB2607	1-414-760-21	INDUCTOR, FERRITE BEAD	
C3513	1-100-916-11	CERAMIC CHIP 0.1uF 10%	16V	FB2608	1-500-283-11	INDUCTOR, FERRITE BEAD	
C3514	1-117-681-11	ELECT CHIP 100uF 20%	16V	FB2612	1-469-080-11	INDUCTOR, FERRITE BEAD (1005)	
C3515	1-100-916-11	CERAMIC CHIP 0.1uF 10%	16V	FB2614	1-543-949-22	BEAD, FERRITE (CHIP) (1608)	
C3516	1-164-943-81	CERAMIC CHIP 0.01uF 10%	16V	FB2615	1-543-949-22	BEAD, FERRITE (CHIP) (1608)	
		< CONNECTOR >		FB2616	1-469-080-11	INDUCTOR, FERRITE BEAD (1005)	
CN1001	1-821-589-21	PIN, CONNECTOR (PC BOARD) 11P		FB2617	1-414-760-21	INDUCTOR, FERRITE BEAD	
CN1101	1-770-469-21	PIN, CONNECTOR (PC BOARD) 2P		FB2801	1-543-949-22	BEAD, FERRITE (CHIP) (1608)	
CN1601	1-818-857-51	CONNECTOR, FFC/FPC 40P		FB3201	1-414-228-11	INDUCTOR, FERRITE BEAD	
CN1802	1-764-177-11	PIN, CONNECTOR (SMD) (1.5MM) 7P		FB3203	1-414-594-11	INDUCTOR, FERRITE BEAD	
CN2203	1-819-876-21	CONNECTOR, SATA SMT (7P)		FB3207	1-414-228-11	INDUCTOR, FERRITE BEAD	
CN2203	1-819-876-21	SATA CONNECTOR SMT (7P)		FB3208	1-414-228-11	INDUCTOR, FERRITE BEAD	
* CN2204	1-819-444-11	HEADER ASSEMBLY FOR PWB 11P		FB3210	1-414-228-11	INDUCTOR, FERRITE BEAD	
CN2401	1-822-657-11	CONNECTOR, HDMI		FB3211	1-414-228-11	INDUCTOR, FERRITE BEAD	
		< DIODE >		FB3212	1-414-228-11	INDUCTOR, FERRITE BEAD	
D1001	8-719-081-67	DIODE M1FM3		FB3213	1-414-228-11	INDUCTOR, FERRITE BEAD	
D1002	8-719-081-67	DIODE M1FM3		FB3214	1-414-228-11	INDUCTOR, FERRITE BEAD	
D1003	8-719-081-67	DIODE M1FM3		FB3215	1-414-228-11	INDUCTOR, FERRITE BEAD	
D1007	8-719-081-97	DIODE MMDL914T1		FB3216	1-414-228-11	INDUCTOR, FERRITE BEAD	
D1008	8-719-081-97	DIODE MMDL914T1		FB3401	1-216-864-11	SHORT CHIP 0	
D1009	8-719-081-97	DIODE MMDL914T1				< FLUORESCENT INDICATOR TUBE >	
D1010	8-719-081-97	DIODE MMDL914T1		FL1204	1-234-939-21	FILTER, EMI REMOVAL (SMD)	
D1011	8-719-057-01	DIODE RD2.0UM-T1B		FL1205	1-234-939-21	FILTER, EMI REMOVAL (SMD)	
D1602	6-501-817-01	DIODE MA2J1110GLS0		FL1402	1-234-939-21	FILTER, EMI REMOVAL (SMD)	
D1603	6-501-817-01	DIODE MA2J1110GLS0		FL1403	1-234-939-21	FILTER, EMI REMOVAL (SMD)	
D1809	6-501-817-01	DIODE MA2J1110GLS0		FL2202	1-234-939-21	FILTER, EMI REMOVAL (SMD)	
D1905	6-501-817-01	DIODE MA2J1110GLS0		FL2203	1-234-939-21	FILTER, EMI REMOVAL (SMD)	
D1908	6-501-817-01	DIODE MA2J1110GLS0		FL2204	1-234-939-21	FILTER, EMI REMOVAL (SMD)	
D1909	6-501-817-01	DIODE MA2J1110GLS0		FL2401	1-234-939-21	FILTER, EMI REMOVAL (SMD)	
D1910	6-501-817-01	DIODE MA2J1110GLS0		FL3001	1-234-939-21	FILTER, EMI REMOVAL (SMD)	
D2601	6-501-817-01	DIODE MA2J1110GLS0		FL3002	1-234-939-21	FILTER, EMI REMOVAL (SMD)	
D3203	8-719-081-97	DIODE MMDL914T1		FL3501	1-234-939-21	FILTER, EMI REMOVAL (SMD)	
D3204	8-719-081-97	DIODE MMDL914T1		FL3502	1-234-939-21	FILTER, EMI REMOVAL (SMD)	
D3205	8-719-081-97	DIODE MMDL914T1				< IC >	
D3206	8-719-067-40	DIODE STZ6.8N-T146		IC1003	6-714-307-01	IC LV5803NM-TE-L-E	
D3208	8-719-067-40	DIODE STZ6.8N-T146		IC1101	6-708-762-01	IC PQ200WNA1ZPH	
D3209	8-719-067-40	DIODE STZ6.8N-T146		IC1104	6-708-762-01	IC PQ200WNA1ZPH	
D3213	8-719-067-40	DIODE STZ6.8N-T146		IC1401	6-713-205-11	IC EDE5116AJBG-8E-E-TR	
D3214	8-719-067-40	DIODE STZ6.8N-T146		IC1402	6-713-205-11	IC EDE5116AJBG-8E-E-TR	
D3215	8-719-067-40	DIODE STZ6.8N-T146		IC1802	6-709-517-01	IC S-35390A-J8T1G	
D3217	8-719-067-40	DIODE STZ6.8N-T146		IC1806	6-714-151-01	IC R1EX24032ASAS0A	
D3218	8-719-067-40	DIODE STZ6.8N-T146		IC1901	6-705-313-01	IC S-T111B50MC-OHJTFG	
D3222	8-719-067-40	DIODE STZ6.8N-T146		IC1905	6-713-849-01	IC S80128CNMC-JKNT2G	
D3223	8-719-067-40	DIODE STZ6.8N-T146		IC1906	6-706-673-01	IC S-80852CNMC-B9D2TG	
D3226	8-719-067-40	DIODE STZ6.8N-T146		IC2201	6-708-762-01	IC PQ200WNA1ZPH	
D3228	8-719-067-40	DIODE STZ6.8N-T146		IC2401	6-711-116-01	IC NJM2878F3-05 (TE2)	
D3231	6-501-770-01	DIODE MAZ8130GOLS0		IC2405	6-706-487-01	IC TC7SH08FU (T5RSOYJF)	
D3233	6-501-736-01	DIODE MAZ8062GOLS0		IC2601	6-709-932-01	IC MM3141CNRE	
D3234	6-501-770-01	DIODE MAZ8130GOLS0		IC2602	6-711-135-01	IC MM3295ANRE	
D3236	6-501-736-01	DIODE MAZ8062GOLS0		IC2603	6-711-135-01	IC MM3295ANRE	
D3238	8-719-067-40	DIODE STZ6.8N-T146		IC2801	6-711-471-01	IC TC74LCX245FK (EL, K) (RDR-DC105/DC205/DC305/DC505)	
D3239	8-719-067-40	DIODE STZ6.8N-T146		* IC2802	6-711-290-01	IC TC74LCX373FK (EL, K) (RDR-DC105/DC205/DC305/DC505)	
		< FERRITE BEAD >		* IC2803	6-711-290-01	IC TC74LCX373FK (EL, K) (RDR-DC105/DC205/DC305/DC505)	
FB1201	1-500-283-11	INDUCTOR, FERRITE BEAD		IC2807	6-704-486-01	IC MK3721DLFTR	
FB2601	1-500-283-11	INDUCTOR, FERRITE BEAD					

Ref. No.	Part No.	Description	Remark	Ref. No.	Part No.	Description	Remark
* IC2809	6-711-207-01	IC CIMAX-SP2L (RDR-DC105/DC205/DC305/DC505)		Q2608	8-729-620-13	TRANSISTOR	2SC4154TP-1EF
IC2811	6-711-050-01	IC S-1170B50UC-OJTFG (RDR-DC105/DC205/DC305/DC505)		Q2609	8-729-620-13	TRANSISTOR	2SC4154TP-1EF
IC2812	6-705-313-01	IC S-T111B50MC-OHJTFG (RDR-DC105/DC205/DC305/DC505)		Q2610	6-551-456-01	TRANSISTOR	RTR020P02TL
IC3001	6-711-049-01	IC S-1170B33UC-OTSTFG		Q2611	8-729-028-96	TRANSISTOR	DTC114EUA-T106
IC3002	6-705-311-01	IC S-T111B18MC-OGDTFG		Q2615	6-551-699-01	TRANSISTOR	ISA1602AM1TP-1EF
IC3201	6-711-050-01	IC S-1170B50UC-OJTFG		Q2616	8-729-028-96	TRANSISTOR	DTC114EUA-T106
IC3202	8-759-685-70	IC NJM2520M (TE2)		Q2617	8-729-044-37	TRANSISTOR	LSK3019FP8TL
IC3203	8-759-685-70	IC NJM2520M (TE2)		Q2618	8-729-044-37	TRANSISTOR	LSK3019FP8TL
IC3205	6-705-313-01	IC S-T111B50MC-OHJTFG		Q2801	8-729-029-06	TRANSISTOR	DTC124EUA-T106 (RDR-DC105/DC205/DC305/DC505)
IC3206	6-710-470-01	IC MM1758AFBE		Q2802	8-729-044-37	TRANSISTOR	LSK3019FP8TL (RDR-DC105/DC205/DC305/DC505)
IC3207	6-703-623-01	IC MM1503XNRE		Q2803	8-729-044-37	TRANSISTOR	LSK3019FP8TL (RDR-DC105/DC205/DC305/DC505)
IC3208	8-759-058-56	IC TC7S02FU (TE85R)		Q2804	8-729-044-37	TRANSISTOR	LSK3019FP8TL (RDR-DC105/DC205/DC305/DC505)
IC3209	8-759-278-58	IC NJM4558V-TE2		Q2805	8-729-044-37	TRANSISTOR	LSK3019FP8TL (RDR-DC105/DC205/DC305/DC505)
IC3402	6-705-313-01	IC S-T111B50MC-OHJTFG		Q3201	6-551-812-01	TR UNR51A1G0LS0	
IC3403	8-759-710-97	IC NJM4568M-D		Q3202	6-551-699-01	TRANSISTOR	ISA1602AM1TP-1EF
IC3501	6-708-762-01	IC PQ200WNA1ZPH		Q3203	6-551-699-01	TRANSISTOR	ISA1602AM1TP-1EF
		< JACK >		Q3204	8-729-023-22	TRANSISTOR	2SD2114K
J3401	1-784-431-11	JACK, PIN 1P (DIGITAL OUT)		Q3205	8-729-023-22	TRANSISTOR	2SD2114K
		< COIL >		Q3206	8-729-029-06	TRANSISTOR	DTC124EUA-T106
L1001	1-457-455-11	INDUCTOR	10uH	Q3207	8-729-029-06	TRANSISTOR	DTC124EUA-T106
L1002	1-457-455-11	INDUCTOR	10uH	Q3212	6-551-484-01	TRANSISTOR	RT3C55M-TP-1B
L1003	1-457-455-11	INDUCTOR	10uH	Q3213	6-551-484-01	TRANSISTOR	RT3C55M-TP-1B
* L2401	1-813-880-11	COMMON MODE CHOKE COIL		Q3217	6-551-699-01	TRANSISTOR	ISA1602AM1TP-1EF
* L2402	1-813-880-11	COMMON MODE CHOKE COIL		Q3218	8-729-620-13	TRANSISTOR	2SC4154TP-1EF
* L2403	1-813-880-11	COMMON MODE CHOKE COIL		Q3401	8-729-620-13	TRANSISTOR	2SC4154TP-1EF
* L2404	1-813-880-11	COMMON MODE CHOKE COIL		Q3402	8-729-028-96	TRANSISTOR	DTC114EUA-T106
L3002	1-469-555-21	INDUCTOR	10uH	Q3403	6-551-699-01	TRANSISTOR	ISA1602AM1TP-1EF
L3003	1-469-553-21	INDUCTOR	4.7uH	Q3501	6-551-699-01	TRANSISTOR	ISA1602AM1TP-1EF
L3005	1-469-555-21	INDUCTOR	10uH	Q3502	6-551-699-01	TRANSISTOR	ISA1602AM1TP-1EF
L3007	1-469-555-21	INDUCTOR	10uH	Q3503	6-551-699-01	TRANSISTOR	ISA1602AM1TP-1EF
L3401	1-469-555-21	INDUCTOR	10uH	Q3504	6-551-699-01	TRANSISTOR	ISA1602AM1TP-1EF
L3501	1-469-555-21	INDUCTOR	10uH	Q3505	6-551-699-01	TRANSISTOR	ISA1602AM1TP-1EF
		< IC LINK >		Q3506	6-551-699-01	TRANSISTOR	ISA1602AM1TP-1EF
△ PS1003	1-576-398-21	IC LINK	2.5A 72V			< RESISTOR >	
		< TRANSISTOR >		R1001	1-218-936-11	METAL CHIP	39 5% 1/1
Q1002	6-551-699-01	TRANSISTOR	ISA1602AM1TP-1EF	R1002	1-218-936-11	METAL CHIP	39 5% 1/1
Q1003	8-729-028-96	TRANSISTOR	DTC114EUA-T106	R1003	1-218-936-11	METAL CHIP	39 5% 1/1
Q1004	8-729-029-14	TRANSISTOR	DTC114EUA-T106	R1005	1-244-161-81	METAL CHIP	2.2 5% 1/1
Q1007	8-729-028-96	TRANSISTOR	DTC114EUA-T106	R1006	1-244-161-81	METAL CHIP	2.2 5% 1/1
Q1103	8-729-620-13	TRANSISTOR	2SC4154TP-1EF	R1007	1-216-821-11	METAL CHIP	1K 5% 1/1
Q1104	8-729-620-13	TRANSISTOR	2SC4154TP-1EF	R1008	1-218-854-11	METAL CHIP	2K 0.5% 1/1
Q1903	8-729-044-37	TRANSISTOR	LSK3019FP8TL	R1009	1-218-823-11	METAL CHIP	100 0.5% 1/1
Q1904	8-729-044-37	TRANSISTOR	LSK3019FP8TL	R1010	1-218-867-11	METAL CHIP	6.8K 0.5% 1/1
Q1905	8-729-044-37	TRANSISTOR	LSK3019FP8TL	R1014	1-218-867-11	METAL CHIP	6.8K 0.5% 1/1
Q1906	8-729-044-37	TRANSISTOR	LSK3019FP8TL	R1015	1-218-881-11	METAL CHIP	27K 0.5% 1/1
Q1907	6-552-221-01	TR 2SA2188-T112-1F		R1016	1-218-865-11	METAL CHIP	5.6K 0.5% 1/1
Q1908	8-729-038-28	TRANSISTOR	RT1N441C-TP-1	R1017	1-216-827-11	METAL CHIP	3.3K 5% 1/1
Q2401	8-729-038-32	TRANSISTOR	RT1P241M-TP-1	R1018	1-218-873-11	METAL CHIP	12K 0.5% 1/1
Q2403	8-729-044-37	TRANSISTOR	LSK3019FP8TL	R1019	1-218-841-11	METAL CHIP	560 0.5% 1/1
Q2405	8-729-029-06	TRANSISTOR	DTC124EUA-T106	R1020	1-218-863-11	METAL CHIP	4.7K 0.5% 1/1
Q2605	8-729-044-37	TRANSISTOR	LSK3019FP8TL	R1021	1-218-855-11	METAL CHIP	2.2K 0.5% 1/1
Q2606	8-729-044-37	TRANSISTOR	LSK3019FP8TL	R1022	1-218-837-11	METAL CHIP	390 0.5% 1/1
Q2607	8-729-620-13	TRANSISTOR	2SC4154TP-1EF	R1023	1-218-871-11	METAL CHIP	10K 0.5% 1/1
				R1024	1-218-871-11	METAL CHIP	10K 0.5% 1/1
				R1025	1-218-871-11	METAL CHIP	10K 0.5% 1/1

The components identified by mark △ or dotted line with mark △ are critical for safety. Replace only with part number specified.

MB-129

Ref. No.	Part No.	Description			Remark	Ref. No.	Part No.	Description			Remark
R1027	1-218-953-11	METAL CHIP	1K	5%	1/16W	R1426	1-218-945-11	METAL CHIP	220	5%	1/16W
R1028	1-218-953-11	METAL CHIP	1K	5%	1/16W	R1427	1-218-953-11	METAL CHIP	1K	5%	1/16W
R1030	1-216-864-11	SHORT CHIP	0			R1428	1-208-683-11	METAL CHIP	1K	0.5%	1/16W
R1033	1-216-864-11	SHORT CHIP	0			R1429	1-208-683-11	METAL CHIP	1K	0.5%	1/16W
R1038	1-218-953-11	METAL CHIP	1K	5%	1/16W	R1601	1-218-990-81	SHORT CHIP	0		
R1040	1-218-977-11	METAL CHIP	100K	5%	1/16W	R1602	1-218-990-81	SHORT CHIP	0		
R1045	1-216-833-11	METAL CHIP	10K	5%	1/10W	R1603	1-218-990-81	SHORT CHIP	0		
R1046	1-216-829-11	METAL CHIP	4.7K	5%	1/10W	R1604	1-218-990-81	SHORT CHIP	0		
R1047	1-216-829-11	METAL CHIP	4.7K	5%	1/10W	R1605	1-218-990-81	SHORT CHIP	0		
R1048	1-218-965-11	METAL CHIP	10K	5%	1/16W	R1606	1-218-990-81	SHORT CHIP	0		
R1049	1-218-965-11	METAL CHIP	10K	5%	1/16W	R1607	1-218-990-81	SHORT CHIP	0		
R1055	1-218-871-11	METAL CHIP	10K	0.5%	1/10W	R1608	1-218-990-81	SHORT CHIP	0		
R1056	1-218-903-11	METAL CHIP	220K	0.5%	1/10W	R1609	1-218-990-81	SHORT CHIP	0		
R1057	1-218-881-11	METAL CHIP	27K	0.5%	1/10W	R1610	1-218-990-81	SHORT CHIP	0		
R1058	1-218-863-11	METAL CHIP	4.7K	0.5%	1/10W	R1611	1-218-990-81	SHORT CHIP	0		
R1059	1-211-985-11	METAL CHIP	47	0.5%	1/10W	R1612	1-218-990-81	SHORT CHIP	0		
R1101	1-218-953-11	METAL CHIP	1K	5%	1/16W	R1613	1-218-990-81	SHORT CHIP	0		
R1102	1-218-957-11	METAL CHIP	2.2K	5%	1/16W	R1614	1-218-990-81	SHORT CHIP	0		
R1103	1-218-957-11	METAL CHIP	2.2K	5%	1/16W	R1616	1-218-990-81	SHORT CHIP	0		
R1104	1-216-833-11	METAL CHIP	10K	5%	1/10W	R1617	1-218-990-81	SHORT CHIP	0		
R1105	1-216-833-11	METAL CHIP	10K	5%	1/10W	R1618	1-218-990-81	SHORT CHIP	0		
R1106	1-218-835-11	METAL CHIP	330	0.5%	1/10W	R1619	1-218-990-81	SHORT CHIP	0		
R1107	1-216-864-11	SHORT CHIP	0			R1620	1-218-935-11	METAL CHIP	33	5%	1/16W
R1108	1-216-864-11	SHORT CHIP	0			R1621	1-218-940-11	METAL CHIP	82	5%	1/16W
R1109	1-218-841-11	METAL CHIP	560	0.5%	1/10W	R1622	1-218-935-11	METAL CHIP	33	5%	1/16W
R1110	1-218-847-11	METAL CHIP	1K	0.5%	1/10W	R1623	1-218-935-11	METAL CHIP	33	5%	1/16W
R1111	1-218-841-11	METAL CHIP	560	0.5%	1/10W	R1624	1-218-940-11	METAL CHIP	82	5%	1/16W
R1112	1-218-859-11	METAL CHIP	3.3K	0.5%	1/10W	R1625	1-218-940-11	METAL CHIP	82	5%	1/16W
R1113	1-216-864-11	SHORT CHIP	0			R1626	1-218-940-11	METAL CHIP	82	5%	1/16W
R1214	1-218-955-11	METAL CHIP	1.5K	5%	1/16W	R1628	1-218-935-11	METAL CHIP	33	5%	1/16W
R1216	1-218-989-11	METAL CHIP	1M	5%	1/16W	R1630	1-218-935-11	METAL CHIP	33	5%	1/16W
R1220	1-218-929-11	METAL CHIP	10	5%	1/16W	R1631	1-218-935-11	METAL CHIP	33	5%	1/16W
R1221	1-218-929-11	METAL CHIP	10	5%	1/16W	R1632	1-218-935-11	METAL CHIP	33	5%	1/16W
R1222	1-218-929-11	METAL CHIP	10	5%	1/16W	R1633	1-218-935-11	METAL CHIP	33	5%	1/16W
R1223	1-218-929-11	METAL CHIP	10	5%	1/16W	R1635	1-218-965-11	METAL CHIP	10K	5%	1/16W
R1224	1-218-929-11	METAL CHIP	10	5%	1/16W	R1637	1-218-965-11	METAL CHIP	10K	5%	1/16W
R1225	1-218-929-11	METAL CHIP	10	5%	1/16W	R1638	1-218-962-11	METAL CHIP	5.6K	5%	1/16W
R1226	1-218-965-11	METAL CHIP	10K	5%	1/16W	R1639	1-218-965-11	METAL CHIP	10K	5%	1/16W
R1229	1-218-941-11	METAL CHIP	100	5%	1/16W	R1640	1-218-962-11	METAL CHIP	5.6K	5%	1/16W
R1230	1-216-864-11	SHORT CHIP	0			R1641	1-218-961-11	METAL CHIP	4.7K	5%	1/16W
R1401	1-208-683-11	METAL CHIP	1K	0.5%	1/16W	R1642	1-218-962-11	METAL CHIP	5.6K	5%	1/16W
R1402	1-208-683-11	METAL CHIP	1K	0.5%	1/16W	R1643	1-218-965-11	METAL CHIP	10K	5%	1/16W
R1404	1-218-933-11	METAL CHIP	22	5%	1/16W	R1644	1-218-965-11	METAL CHIP	10K	5%	1/16W
R1405	1-218-933-11	METAL CHIP	22	5%	1/16W	R1646	1-218-965-11	METAL CHIP	10K	5%	1/16W
R1406	1-218-933-11	METAL CHIP	22	5%	1/16W	R1647	1-218-965-11	METAL CHIP	10K	5%	1/16W
R1407	1-218-933-11	METAL CHIP	22	5%	1/16W	R1651	1-218-957-11	METAL CHIP	2.2K	5%	1/16W
R1408	1-218-933-11	METAL CHIP	22	5%	1/16W	R1654	1-218-965-11	METAL CHIP	10K	5%	1/16W
R1409	1-218-933-11	METAL CHIP	22	5%	1/16W	R1663	1-218-935-11	METAL CHIP	33	5%	1/16W
R1410	1-218-933-11	METAL CHIP	22	5%	1/16W	R1664	1-218-935-11	METAL CHIP	33	5%	1/16W
R1411	1-218-933-11	METAL CHIP	22	5%	1/16W	R1665	1-218-935-11	METAL CHIP	33	5%	1/16W
R1412	1-218-933-11	METAL CHIP	22	5%	1/16W	R1668	1-218-935-11	METAL CHIP	33	5%	1/16W
R1413	1-218-933-11	METAL CHIP	22	5%	1/16W	R1669	1-218-935-11	METAL CHIP	33	5%	1/16W
R1414	1-218-933-11	METAL CHIP	22	5%	1/16W	R1670	1-218-935-11	METAL CHIP	33	5%	1/16W
R1415	1-218-933-11	METAL CHIP	22	5%	1/16W	R1672	1-218-965-11	METAL CHIP	10K	5%	1/16W
R1416	1-218-933-11	METAL CHIP	22	5%	1/16W	R1675	1-218-990-81	SHORT CHIP	0		
R1417	1-218-933-11	METAL CHIP	22	5%	1/16W	R1678	1-218-990-81	SHORT CHIP	0		
R1422	1-218-945-11	METAL CHIP	220	5%	1/16W	R1679	1-218-990-81	SHORT CHIP	0		
R1423	1-218-953-11	METAL CHIP	1K	5%	1/16W	R1805	1-218-941-81	METAL CHIP	100	5%	1/16W
R1424	1-208-683-11	METAL CHIP	1K	0.5%	1/16W	R1811	1-218-941-81	METAL CHIP	100	5%	1/16W
R1425	1-208-683-11	METAL CHIP	1K	0.5%	1/16W	R1821	1-218-965-11	METAL CHIP	10K	5%	1/16W

Ref. No.	Part No.	Description		Remark	Ref. No.	Part No.	Description		Remark
R1822	1-218-990-81	SHORT CHIP	0		R2215	1-218-935-11	METAL CHIP	33	5% 1/1W
R1825	1-218-953-11	METAL CHIP	1K	5% 1/16W	R2216	1-218-947-11	METAL CHIP	1K	0.5% 1/1W
R1837	1-218-965-11	METAL CHIP	10K	5% 1/16W	R2217	1-218-954-11	METAL CHIP	2K	0.5% 1/1W
R1838	1-218-965-11	METAL CHIP	10K	5% 1/16W	R2222	1-218-990-81	SHORT CHIP	0	
R1843	1-218-941-81	METAL CHIP	100	5% 1/16W	R2224	1-218-941-81	METAL CHIP	100	5% 1/1W
R1844	1-218-953-11	METAL CHIP	1K	5% 1/16W	R2225	1-218-953-11	METAL CHIP	1K	5% 1/1W
R1845	1-218-950-11	METAL CHIP	560	5% 1/16W	R2227	1-218-990-81	SHORT CHIP	0	
R1846	1-218-961-11	METAL CHIP	4.7K	5% 1/16W	R2233	1-208-906-81	METAL CHIP	6.2K	0.5% 1/1W
R1847	1-218-961-11	METAL CHIP	4.7K	5% 1/16W	R2234	1-218-938-11	METAL CHIP	56	5% 1/1W
R1849	1-218-941-81	METAL CHIP	100	5% 1/16W	R2235	1-218-938-11	METAL CHIP	56	5% 1/1W
R1900	1-218-965-11	METAL CHIP	10K	5% 1/16W	R2239	1-218-938-11	METAL CHIP	56	5% 1/1W
R1902	1-218-965-11	METAL CHIP	10K	5% 1/16W	R2240	1-218-938-11	METAL CHIP	56	5% 1/1W
R1903	1-218-965-11	METAL CHIP	10K	5% 1/16W	R2241	1-218-964-11	METAL CHIP	5.1K	0.5% 1/1W
R1910	1-218-953-11	METAL CHIP	1K	5% 1/16W	R2243	1-218-953-11	METAL CHIP	1K	5% 1/1W
R1911	1-218-953-11	METAL CHIP	1K	5% 1/16W	R2244	1-218-984-11	METAL CHIP	390K	5% 1/1W
R1913	1-218-953-11	METAL CHIP	1K	5% 1/16W	R2245	1-218-965-11	METAL CHIP	10K	5% 1/1W
R1919	1-218-953-11	METAL CHIP	1K	5% 1/16W	R2246	1-218-990-81	SHORT CHIP	0	
R1924	1-218-953-11	METAL CHIP	1K	5% 1/16W	R2247	1-218-990-81	SHORT CHIP	0	
R1926	1-218-965-11	METAL CHIP	10K	5% 1/16W	R2248	1-218-990-81	SHORT CHIP	0	
R1927	1-218-965-11	METAL CHIP	10K	5% 1/16W	R2251	1-218-990-81	SHORT CHIP	0	
R1934	1-218-953-11	METAL CHIP	1K	5% 1/16W	R2252	1-218-965-11	METAL CHIP	10K	5% 1/1W
R1935	1-218-953-11	METAL CHIP	1K	5% 1/16W	R2278	1-218-939-11	METAL CHIP	68	5% 1/1W
R1937	1-218-953-11	METAL CHIP	1K	5% 1/16W	R2279	1-218-939-11	METAL CHIP	68	5% 1/1W
R1938	1-216-864-11	SHORT CHIP	0		R2280	1-218-939-11	METAL CHIP	68	5% 1/1W
R1940	1-216-833-11	METAL CHIP	10K	5% 1/10W	R2281	1-218-935-11	METAL CHIP	33	5% 1/1W
R1941	1-216-827-11	METAL CHIP	3.3K	5% 1/10W	R2286	1-218-935-11	METAL CHIP	33	5% 1/1W
R1943	1-218-990-81	SHORT CHIP	0		R2302	1-218-935-11	METAL CHIP	33	5% 1/1W
R1944	1-218-990-81	SHORT CHIP	0		R2309	1-218-935-11	METAL CHIP	33	5% 1/1W
R1945	1-218-990-81	SHORT CHIP	0		R2310	1-218-961-11	METAL CHIP	4.7K	5% 1/1W
R1946	1-216-296-11	SHORT CHIP	0		R2314	1-218-973-11	METAL CHIP	47K	5% 1/1W
R1947	1-218-965-11	METAL CHIP	10K	5% 1/16W	R2405	1-218-990-81	SHORT CHIP	0	
R1948	1-218-965-11	METAL CHIP	10K	5% 1/16W	R2407	1-218-941-81	METAL CHIP	100	5% 1/1W
R1949	1-218-965-11	METAL CHIP	10K	5% 1/16W	R2408	1-218-941-81	METAL CHIP	100	5% 1/1W
R1950	1-218-965-11	METAL CHIP	10K	5% 1/16W	R2411	1-218-938-11	METAL CHIP	56	5% 1/1W
R1951	1-218-967-11	METAL CHIP	15K	5% 1/16W	R2415	1-218-990-81	SHORT CHIP	0	
R1952	1-218-965-11	METAL CHIP	10K	5% 1/16W	R2416	1-218-965-11	METAL CHIP	10K	5% 1/1W
R1953	1-218-965-11	METAL CHIP	10K	5% 1/16W	R2417	1-218-933-11	METAL CHIP	22	5% 1/1W
R1956	1-218-965-11	METAL CHIP	10K	5% 1/16W	R2418	1-218-961-11	METAL CHIP	4.7K	5% 1/1W
R1957	1-218-965-11	METAL CHIP	10K	5% 1/16W	R2419	1-218-961-11	METAL CHIP	4.7K	5% 1/1W
R1959	1-216-864-11	SHORT CHIP	0		R2423	1-218-965-11	METAL CHIP	10K	5% 1/1W
R1960	1-216-864-11	SHORT CHIP	0		R2425	1-218-961-11	METAL CHIP	4.7K	5% 1/1W
R1961	1-216-864-11	SHORT CHIP	0		R2427	1-218-950-11	METAL CHIP	560	5% 1/1W
R1962	1-218-941-81	METAL CHIP	100	5% 1/16W	R2428	1-218-957-11	METAL CHIP	2.2K	5% 1/1W
R1963	1-218-965-11	METAL CHIP	10K	5% 1/16W	R2429	1-218-961-11	METAL CHIP	4.7K	5% 1/1W
R1964	1-218-965-11	METAL CHIP	10K	5% 1/16W	R2433	1-218-970-11	METAL CHIP	27K	5% 1/1W
R1965	1-218-953-11	METAL CHIP	1K	5% 1/16W	R2434	1-218-990-81	SHORT CHIP	0	
R1966	1-218-965-11	METAL CHIP	10K	5% 1/16W	R2435	1-218-935-11	METAL CHIP	33	5% 1/1W
R1969	1-218-990-81	SHORT CHIP	0		R2436	1-218-949-11	METAL CHIP	470	5% 1/1W
R1970	1-218-990-81	SHORT CHIP	0		R2437	1-218-965-11	METAL CHIP	10K	5% 1/1W
R1971	1-218-990-81	SHORT CHIP	0		R2439	1-218-990-81	SHORT CHIP	0	
R1972	1-218-990-81	SHORT CHIP	0		R2440	1-218-947-11	METAL CHIP	330	5% 1/1W
R1997	1-218-961-11	METAL CHIP	4.7K	5% 1/16W	R2441	1-218-947-11	METAL CHIP	330	5% 1/1W
R1998	1-218-965-11	METAL CHIP	10K	5% 1/16W	R2442	1-218-947-11	METAL CHIP	330	5% 1/1W
R2201	1-218-971-11	METAL CHIP	33K	5% 1/16W	R2443	1-218-947-11	METAL CHIP	330	5% 1/1W
R2202	1-218-845-11	METAL CHIP	820	0.5% 1/10W	R2445	1-218-951-11	METAL CHIP	680	5% 1/1W
R2206	1-218-953-11	METAL CHIP	1K	5% 1/16W	R2446	1-218-961-11	METAL CHIP	4.7K	5% 1/1W
R2207	1-218-953-11	METAL CHIP	1K	5% 1/16W	R2447	1-216-864-11	SHORT CHIP	0	
R2209	1-208-695-11	METAL CHIP	3.3K	0.5% 1/16W	R2453	1-218-961-11	METAL CHIP	4.7K	5% 1/1W
R2210	1-218-941-11	METAL CHIP	100	5% 1/16W	R2454	1-218-973-11	METAL CHIP	47K	5% 1/1W
R2211	1-218-965-11	METAL CHIP	10K	5% 1/16W	R2455	1-218-990-81	SHORT CHIP	0	

MB-129

Ref. No.	Part No.	Description			Remark	Ref. No.	Part No.	Description			Remark
R2456	1-218-990-81	SHORT CHIP	0			R2803	1-218-990-81	SHORT CHIP	0		
R2458	1-218-959-11	METAL CHIP	3.3K	5%	1/16W			(RDR-DC105/DC205/DC305/DC505)			
R2459	1-218-990-81	SHORT CHIP	0			R2804	1-218-965-11	METAL CHIP	10K	5%	1/16W
R2460	1-218-990-81	SHORT CHIP	0					(RDR-DC105/DC205/DC305/DC505)			
R2461	1-218-990-81	SHORT CHIP	0			R2805	1-218-937-11	METAL CHIP	47	5%	1/16W
								(RDR-DC105/DC205/DC305/DC505)			
R2467	1-218-956-11	METAL CHIP	1.8K	5%	1/16W	R2806	1-218-965-11	METAL CHIP	10K	5%	1/16W
R2468	1-218-956-11	METAL CHIP	1.8K	5%	1/16W			(RDR-DC105/DC205/DC305/DC505)			
R2469	1-216-864-11	SHORT CHIP	0			R2807	1-218-965-11	METAL CHIP	10K	5%	1/16W
R2601	1-218-990-81	SHORT CHIP	0					(RDR-DC105/DC205/DC305/DC505)			
R2604	1-218-990-81	SHORT CHIP	0								
						R2808	1-218-937-11	METAL CHIP	47	5%	1/16W
R2606	1-218-941-81	METAL CHIP	100	5%	1/16W			(RDR-DC105/DC205/DC305/DC505)			
R2607	1-218-990-81	SHORT CHIP	0			R2809	1-218-965-11	METAL CHIP	10K	5%	1/16W
R2608	1-218-965-11	METAL CHIP	10K	5%	1/16W			(RDR-DC105/DC205/DC305/DC505)			
R2609	1-218-965-11	METAL CHIP	10K	5%	1/16W	R2811	1-218-970-11	METAL CHIP	27K	5%	1/16W
R2610	1-218-957-11	METAL CHIP	2.2K	5%	1/16W			(RDR-DC105/DC205/DC305/DC505)			
						R2816	1-218-937-11	METAL CHIP	47	5%	1/16W
R2611	1-218-957-11	METAL CHIP	2.2K	5%	1/16W			(RDR-DC90/DC100/DC200/DC500)			
R2612	1-218-935-11	METAL CHIP	33	5%	1/16W	R2817	1-218-937-11	METAL CHIP	47	5%	1/16W
R2613	1-218-935-11	METAL CHIP	33	5%	1/16W			(RDR-DC90/DC100/DC200/DC500)			
R2614	1-218-935-11	METAL CHIP	33	5%	1/16W						
R2629	1-218-953-11	METAL CHIP	1K	5%	1/16W	R2818	1-218-937-11	METAL CHIP	47	5%	1/16W
								(RDR-DC90/DC100/DC200/DC500)			
R2630	1-218-953-11	METAL CHIP	1K	5%	1/16W	R2819	1-218-990-81	SHORT CHIP	0		
R2633	1-218-953-11	METAL CHIP	1K	5%	1/16W			(RDR-DC105/DC205/DC305/DC505)			
R2634	1-218-990-81	SHORT CHIP	0			R2820	1-218-990-81	SHORT CHIP	0		
R2637	1-218-953-11	METAL CHIP	1K	5%	1/16W			(RDR-DC105/DC205/DC305/DC505)			
R2638	1-218-943-11	METAL CHIP	150	5%	1/16W	R2821	1-218-990-81	SHORT CHIP	0		
								(RDR-DC105/DC205/DC305/DC505)			
R2639	1-218-965-11	METAL CHIP	10K	5%	1/16W	R2827	1-218-941-81	METAL CHIP	100	5%	1/16W
R2640	1-218-969-11	METAL CHIP	22K	5%	1/16W			(RDR-DC105/DC205/DC305/DC505)			
R2641	1-218-953-11	METAL CHIP	1K	5%	1/16W						
R2643	1-216-864-11	SHORT CHIP	0			R2837	1-218-965-11	METAL CHIP	10K	5%	1/16W
R2645	1-218-953-11	METAL CHIP	1K	5%	1/16W			(RDR-DC105/DC205/DC305/DC505)			
						R2838	1-218-965-11	METAL CHIP	10K	5%	1/16W
R2647	1-218-953-11	METAL CHIP	1K	5%	1/16W			(RDR-DC105/DC205/DC305/DC505)			
R2648	1-218-973-11	METAL CHIP	47K	5%	1/16W	R2850	1-218-935-11	METAL CHIP	33	5%	1/16W
R2649	1-218-949-11	METAL CHIP	470	5%	1/16W			(RDR-DC105/DC205/DC305/DC505)			
R2652	1-218-965-11	METAL CHIP	10K	5%	1/16W	R2851	1-218-990-81	SHORT CHIP	0		
R2663	1-216-864-11	SHORT CHIP	0					(RDR-DC105/DC205/DC305/DC505)			
						R2852	1-218-965-11	METAL CHIP	10K	5%	1/16W
R2664	1-216-864-11	SHORT CHIP	0					(RDR-DC105/DC205/DC305/DC505)			
R2665	1-216-864-11	SHORT CHIP	0			R2859	1-218-990-81	SHORT CHIP	0		
R2666	1-216-864-11	SHORT CHIP	0					(RDR-DC105/DC205/DC305/DC505)			
R2667	1-216-864-11	SHORT CHIP	0			R2861	1-218-990-81	SHORT CHIP	0		
R2677	1-218-953-11	METAL CHIP	1K	5%	1/16W			(RDR-DC105/DC205/DC305/DC505)			
						R2870	1-218-961-11	METAL CHIP	4.7K	5%	1/16W
R2678	1-218-953-11	METAL CHIP	1K	5%	1/16W			(RDR-DC105/DC205/DC305/DC505)			
R2679	1-218-990-81	SHORT CHIP	0			R2871	1-218-965-11	METAL CHIP	10K	5%	1/16W
R2680	1-218-990-81	SHORT CHIP	0					(RDR-DC105/DC205/DC305/DC505)			
R2681	1-218-990-81	SHORT CHIP	0			R2872	1-218-965-11	METAL CHIP	10K	5%	1/16W
R2682	1-218-990-81	SHORT CHIP	0					(RDR-DC105/DC205/DC305/DC505)			
R2683	1-218-973-11	METAL CHIP	47K	5%	1/16W	R2874	1-218-953-11	METAL CHIP	1K	5%	1/16W
R2684	1-216-821-11	METAL CHIP	1K	5%	1/10W			(RDR-DC105/DC205/DC305/DC505)			
R2685	1-216-296-11	SHORT CHIP	0			R2875	1-218-961-11	METAL CHIP	4.7K	5%	1/16W
R2686	1-218-990-81	SHORT CHIP	0					(RDR-DC105/DC205/DC305/DC505)			
R2687	1-218-990-81	SHORT CHIP	0			R2876	1-218-961-11	METAL CHIP	4.7K	5%	1/16W
								(RDR-DC105/DC205/DC305/DC505)			
R2688	1-216-864-11	SHORT CHIP	0			R2877	1-218-965-11	METAL CHIP	10K	5%	1/16W
R2690	1-216-821-11	METAL CHIP	1K	5%	1/10W			(RDR-DC105/DC205/DC305/DC505)			
R2691	1-218-961-11	METAL CHIP	4.7K	5%	1/16W	R2878	1-218-977-11	METAL CHIP	100K	5%	1/16W
R2692	1-218-961-11	METAL CHIP	4.7K	5%	1/16W			(RDR-DC105/DC205/DC305/DC505)			
R2693	1-218-990-81	SHORT CHIP	0			R2879	1-218-990-81	SHORT CHIP	0		
								(RDR-DC90/DC100/DC200/DC500)			
R2694	1-218-990-81	SHORT CHIP	0			R2880	1-218-990-81	SHORT CHIP	0		
R2697	1-218-990-81	SHORT CHIP	0					(RDR-DC90/DC100/DC200/DC500)			
R2698	1-218-990-81	SHORT CHIP	0			R2881	1-218-990-81	SHORT CHIP	0		
R2699	1-216-864-11	SHORT CHIP	0					(RDR-DC90/DC100/DC200/DC500)			
R2801	1-218-935-11	METAL CHIP	33	5%	1/16W	R2882	1-218-990-81	SHORT CHIP	0		
								(RDR-DC105/DC205/DC305/DC505)			
						R2883	1-218-990-81	SHORT CHIP	0		
								(RDR-DC105/DC205/DC305/DC505)			

Ref. No.	Part No.	Description	Remark	Ref. No.	Part No.	Description	Remark
R2884	1-218-990-81	SHORT CHIP	0 (RDR-DC105/DC205/DC305/DC505)	R3212	1-218-977-11	METAL CHIP	100K 5%
R3001	1-218-967-11	METAL CHIP	15K 5% 1/16W	R3213	1-218-977-11	METAL CHIP	100K 5%
R3002	1-218-967-11	METAL CHIP	15K 5% 1/16W	R3214	1-218-941-81	METAL CHIP	100 5%
R3003	1-218-967-11	METAL CHIP	15K 5% 1/16W	R3216	1-218-941-81	METAL CHIP	100 5%
R3004	1-218-967-11	METAL CHIP	15K 5% 1/16W	R3218	1-218-961-11	METAL CHIP	4.7K 5%
R3005	1-208-855-81	METAL CHIP	47 0.5% 1/16W	R3219	1-218-990-81	SHORT CHIP	0
R3006	1-220-880-81	METAL CHIP	27 0.5% 1/16W	R3222	1-211-990-11	METAL CHIP	75 0.5%
R3007	1-220-880-81	METAL CHIP	27 0.5% 1/16W	R3223	1-211-990-11	METAL CHIP	75 0.5%
R3008	1-208-855-81	METAL CHIP	47 0.5% 1/16W	R3224	1-211-990-11	METAL CHIP	75 0.5%
R3009	1-208-855-81	METAL CHIP	47 0.5% 1/16W	R3225	1-211-990-11	METAL CHIP	75 0.5%
R3010	1-220-880-81	METAL CHIP	27 0.5% 1/16W	R3226	1-211-990-11	METAL CHIP	75 0.5%
R3011	1-220-880-81	METAL CHIP	27 0.5% 1/16W	R3227	1-211-989-11	METAL CHIP	68 0.5%
R3012	1-208-855-81	METAL CHIP	47 0.5% 1/16W	R3228	1-218-977-11	METAL CHIP	100K 5%
R3013	1-208-692-11	METAL CHIP	2.4K 0.5% 1/16W	R3231	1-211-989-11	METAL CHIP	68 0.5%
R3014	1-208-855-81	METAL CHIP	47 0.5% 1/16W	R3233	1-211-990-11	METAL CHIP	75 0.5%
R3015	1-220-880-81	METAL CHIP	27 0.5% 1/16W	R3235	1-218-959-11	METAL CHIP	3.3K 5%
R3016	1-220-880-81	METAL CHIP	27 0.5% 1/16W	R3236	1-218-977-11	METAL CHIP	100K 5%
R3017	1-208-855-81	METAL CHIP	47 0.5% 1/16W	R3237	1-216-817-11	METAL CHIP	470 5%
R3018	1-218-990-81	SHORT CHIP	0	R3239	1-211-990-11	METAL CHIP	75 0.5%
R3019	1-220-880-81	METAL CHIP	27 0.5% 1/16W	R3240	1-216-864-11	SHORT CHIP	0
R3020	1-208-855-81	METAL CHIP	47 0.5% 1/16W	R3241	1-211-990-11	METAL CHIP	75 0.5%
R3021	1-218-961-11	METAL CHIP	4.7K 5% 1/16W	R3242	1-211-990-11	METAL CHIP	75 0.5%
R3022	1-218-941-81	METAL CHIP	100 5% 1/16W	R3243	1-211-990-11	METAL CHIP	75 0.5%
R3023	1-218-990-81	SHORT CHIP	0	R3244	1-218-958-11	METAL CHIP	2.7K 5%
R3024	1-218-990-81	SHORT CHIP	0	R3245	1-218-949-11	METAL CHIP	470 5%
R3026	1-218-990-81	SHORT CHIP	0	R3247	1-216-864-11	SHORT CHIP	0
R3028	1-218-969-11	METAL CHIP	22K 5% 1/16W	R3248	1-216-864-11	SHORT CHIP	0
R3029	1-216-829-11	METAL CHIP	4.7K 5% 1/10W	R3249	1-216-864-11	SHORT CHIP	0
R3030	1-218-935-11	METAL CHIP	33 5% 1/16W	R3250	1-216-864-11	SHORT CHIP	0
R3031	1-218-935-11	METAL CHIP	33 5% 1/16W	R3251	1-216-864-11	SHORT CHIP	0
R3032	1-218-935-11	METAL CHIP	33 5% 1/16W	R3252	1-218-977-11	METAL CHIP	100K 5%
R3033	1-208-855-81	METAL CHIP	47 0.5% 1/16W	R3255	1-216-864-11	SHORT CHIP	0
R3034	1-220-880-81	METAL CHIP	27 0.5% 1/16W	R3256	1-216-864-11	SHORT CHIP	0
R3037	1-208-860-81	METAL CHIP	75 0.5% 1/16W	R3257	1-216-821-11	METAL CHIP	1K 5%
R3038	1-218-935-11	METAL CHIP	33 5% 1/16W	R3258	1-216-864-11	SHORT CHIP	0
R3039	1-218-933-11	METAL CHIP	22 5% 1/16W	R3259	1-218-958-11	METAL CHIP	2.7K 5%
R3040	1-218-933-11	METAL CHIP	22 5% 1/16W	R3260	1-218-958-11	METAL CHIP	2.7K 5%
R3041	1-218-933-11	METAL CHIP	22 5% 1/16W	R3263	1-218-835-11	METAL CHIP	330 0.5%
R3042	1-218-990-81	SHORT CHIP	0	R3264	1-216-864-11	SHORT CHIP	0
R3043	1-218-990-81	SHORT CHIP	0	R3265	1-218-977-11	METAL CHIP	100K 5%
R3044	1-218-990-81	SHORT CHIP	0	R3268	1-216-864-11	SHORT CHIP	0
R3045	1-218-990-81	SHORT CHIP	0	R3269	1-216-817-11	METAL CHIP	470 5%
R3046	1-218-990-81	SHORT CHIP	0	R3270	1-216-817-11	METAL CHIP	470 5%
R3047	1-218-990-81	SHORT CHIP	0	R3271	1-216-817-11	METAL CHIP	470 5%
R3048	1-218-990-81	SHORT CHIP	0	R3272	1-216-817-11	METAL CHIP	470 5%
R3049	1-218-990-81	SHORT CHIP	0	R3273	1-218-961-11	METAL CHIP	4.7K 5%
R3056	1-218-935-11	METAL CHIP	33 5% 1/16W	R3274	1-218-961-11	METAL CHIP	4.7K 5%
R3057	1-218-935-11	METAL CHIP	33 5% 1/16W	R3276	1-216-864-11	SHORT CHIP	0
R3059	1-218-953-11	METAL CHIP	1K 5% 1/16W	R3278	1-218-949-11	METAL CHIP	470 5%
R3060	1-218-953-11	METAL CHIP	1K 5% 1/16W	R3279	1-218-949-11	METAL CHIP	470 5%
R3061	1-218-949-11	METAL CHIP	470 5% 1/16W	R3280	1-218-969-11	METAL CHIP	22K 5%
R3202	1-218-957-11	METAL CHIP	2.2K 5% 1/16W	R3281	1-218-969-11	METAL CHIP	22K 5%
R3203	1-218-949-11	METAL CHIP	470 5% 1/16W	R3282	1-216-821-11	METAL CHIP	1K 5%
R3204	1-218-949-11	METAL CHIP	470 5% 1/16W	R3283	1-218-965-11	METAL CHIP	10K 5%
R3205	1-218-949-11	METAL CHIP	470 5% 1/16W	R3284	1-218-965-11	METAL CHIP	10K 5%
R3206	1-218-949-11	METAL CHIP	470 5% 1/16W	R3293	1-218-965-11	METAL CHIP	10K 5%
R3207	1-218-955-11	METAL CHIP	1.5K 5% 1/16W	R3294	1-218-965-11	METAL CHIP	10K 5%
R3208	1-218-955-11	METAL CHIP	1.5K 5% 1/16W	R3295	1-218-990-81	SHORT CHIP	0
R3210	1-218-977-11	METAL CHIP	100K 5% 1/16W	R3296	1-218-955-11	METAL CHIP	1.5K 5%
R3211	1-218-977-11	METAL CHIP	100K 5% 1/16W	R3297	1-218-990-81	SHORT CHIP	0

MB-129

Ref. No.	Part No.	Description			Remark	Ref. No.	Part No.	Description			Remark
R3298	1-218-955-11	METAL CHIP	1.5K	5%	1/16W	R3416	1-211-990-11	METAL CHIP	75	0.5%	1/10W
R3299	1-216-864-11	SHORT CHIP	0			R3417	1-218-970-11	METAL CHIP	27K	5%	1/16W
R3302	1-211-990-11	METAL CHIP	75	0.5%	1/10W	R3418	1-218-688-11	METAL CHIP	680	0.5%	1/10W
R3303	1-211-990-11	METAL CHIP	75	0.5%	1/10W	R3419	1-218-688-11	METAL CHIP	680	0.5%	1/10W
R3304	1-211-990-11	METAL CHIP	75	0.5%	1/10W	R3420	1-218-716-11	METAL CHIP	10K	0.5%	1/10W
R3305	1-211-990-11	METAL CHIP	75	0.5%	1/10W	R3421	1-218-716-11	METAL CHIP	10K	0.5%	1/10W
R3306	1-211-990-11	METAL CHIP	75	0.5%	1/10W	R3422	1-218-975-11	METAL CHIP	68K	5%	1/16W
R3307	1-211-990-11	METAL CHIP	75	0.5%	1/10W	R3423	1-218-977-11	METAL CHIP	100K	5%	1/16W
R3308	1-211-987-11	METAL CHIP	56	0.5%	1/10W	R3424	1-218-965-11	METAL CHIP	10K	5%	1/16W
R3309	1-211-987-11	METAL CHIP	56	0.5%	1/10W	R3425	1-218-965-11	METAL CHIP	10K	5%	1/16W
R3310	1-211-987-11	METAL CHIP	56	0.5%	1/10W	R3426	1-218-941-81	METAL CHIP	100	5%	1/16W
R3311	1-211-989-11	METAL CHIP	68	0.5%	1/10W	R3427	1-218-941-81	METAL CHIP	100	5%	1/16W
R3312	1-211-989-11	METAL CHIP	68	0.5%	1/10W	R3428	1-218-712-11	METAL CHIP	6.8K	0.5%	1/10W
R3313	1-211-989-11	METAL CHIP	68	0.5%	1/10W	R3429	1-218-724-11	METAL CHIP	22K	0.5%	1/10W
R3314	1-218-990-81	SHORT CHIP	0			R3430	1-218-724-11	METAL CHIP	22K	0.5%	1/10W
R3315	1-218-990-81	SHORT CHIP	0			R3431	1-218-712-11	METAL CHIP	6.8K	0.5%	1/10W
R3322	1-216-864-11	SHORT CHIP	0			R3434	1-220-169-11	METAL CHIP	75	5%	1/16W
R3323	1-216-864-11	SHORT CHIP	0			R3435	1-218-941-81	METAL CHIP	100	5%	1/16W
R3337	1-216-817-11	METAL CHIP	470	5%	1/10W	R3436	1-218-941-81	METAL CHIP	100	5%	1/16W
R3339	1-216-864-11	SHORT CHIP	0			R3437	1-218-941-81	METAL CHIP	100	5%	1/16W
R3341	1-216-864-11	SHORT CHIP	0			R3438	1-218-941-81	METAL CHIP	100	5%	1/16W
R3342	1-216-864-11	SHORT CHIP	0			R3439	1-218-941-81	METAL CHIP	100	5%	1/16W
R3343	1-216-864-11	SHORT CHIP	0			R3440	1-218-941-81	METAL CHIP	100	5%	1/16W
R3344	1-216-864-11	SHORT CHIP	0			R3446	1-218-965-11	METAL CHIP	10K	5%	1/16W
R3345	1-216-864-11	SHORT CHIP	0			R3501	1-218-969-11	METAL CHIP	22K	5%	1/16W
R3346	1-216-864-11	SHORT CHIP	0			R3503	1-218-965-11	METAL CHIP	10K	5%	1/16W
R3347	1-216-864-11	SHORT CHIP	0			R3504	1-218-965-11	METAL CHIP	10K	5%	1/16W
R3348	1-216-864-11	SHORT CHIP	0			R3505	1-218-965-11	METAL CHIP	10K	5%	1/16W
R3349	1-216-864-11	SHORT CHIP	0			R3506	1-218-965-11	METAL CHIP	10K	5%	1/16W
R3354	1-218-965-11	METAL CHIP	10K	5%	1/16W	R3507	1-218-965-11	METAL CHIP	10K	5%	1/16W
R3356	1-216-864-11	SHORT CHIP	0			R3516	1-218-847-11	METAL CHIP	1K	0.5%	1/10W
R3357	1-216-864-11	SHORT CHIP	0			R3517	1-218-847-11	METAL CHIP	1K	0.5%	1/10W
R3358	1-216-864-11	SHORT CHIP	0			R3518	1-211-990-11	METAL CHIP	75	0.5%	1/10W
R3359	1-216-864-11	SHORT CHIP	0			R3519	1-218-990-81	SHORT CHIP	0		
R3360	1-218-990-81	SHORT CHIP	0			R3520	1-211-990-11	METAL CHIP	75	0.5%	1/10W
R3366	1-216-864-11	SHORT CHIP	0			R3521	1-218-947-11	METAL CHIP	330	5%	1/16W
R3372	1-218-969-11	METAL CHIP	22K	5%	1/16W	R3522	1-211-990-11	METAL CHIP	75	0.5%	1/10W
R3373	1-218-969-11	METAL CHIP	22K	5%	1/16W	R3523	1-218-990-81	SHORT CHIP	0		
R3374	1-218-977-11	METAL CHIP	100K	5%	1/16W	R3524	1-211-990-11	METAL CHIP	75	0.5%	1/10W
R3375	1-218-975-11	METAL CHIP	68K	5%	1/16W	R3525	1-218-947-11	METAL CHIP	330	5%	1/16W
R3378	1-218-990-81	SHORT CHIP	0			R3526	1-211-990-11	METAL CHIP	75	0.5%	1/10W
R3379	1-216-864-11	SHORT CHIP	0			R3527	1-218-990-81	SHORT CHIP	0		
R3380	1-216-864-11	SHORT CHIP	0			R3528	1-211-990-11	METAL CHIP	75	0.5%	1/10W
R3381	1-216-864-11	SHORT CHIP	0			R3529	1-218-947-11	METAL CHIP	330	5%	1/16W
R3382	1-218-973-11	METAL CHIP	47K	5%	1/16W	R3530	1-211-990-11	METAL CHIP	75	0.5%	1/10W
R3383	1-218-973-11	METAL CHIP	47K	5%	1/16W	R3531	1-218-990-81	SHORT CHIP	0		
R3384	1-218-973-11	METAL CHIP	47K	5%	1/16W	R3532	1-211-990-11	METAL CHIP	75	0.5%	1/10W
R3385	1-218-973-11	METAL CHIP	47K	5%	1/16W	R3533	1-218-947-11	METAL CHIP	330	5%	1/16W
R3401	1-218-933-11	METAL CHIP	22	5%	1/16W	R3534	1-211-990-11	METAL CHIP	75	0.5%	1/10W
R3402	1-218-933-11	METAL CHIP	22	5%	1/16W	R3535	1-218-990-81	SHORT CHIP	0		
R3403	1-218-933-11	METAL CHIP	22	5%	1/16W	R3536	1-211-990-11	METAL CHIP	75	0.5%	1/10W
R3404	1-218-933-11	METAL CHIP	22	5%	1/16W	R3537	1-218-947-11	METAL CHIP	330	5%	1/16W
R3405	1-218-933-11	METAL CHIP	22	5%	1/16W	R3538	1-211-990-11	METAL CHIP	75	0.5%	1/10W
R3406	1-218-990-81	SHORT CHIP	0			R3539	1-218-990-81	SHORT CHIP	0		
R3407	1-218-965-11	METAL CHIP	10K	5%	1/16W	R3540	1-211-990-11	METAL CHIP	75	0.5%	1/10W
R3409	1-218-950-11	METAL CHIP	560	5%	1/16W	R3541	1-218-947-11	METAL CHIP	330	5%	1/16W
R3411	1-216-833-11	METAL CHIP	10K	5%	1/10W	R3542	1-218-835-11	METAL CHIP	330	0.5%	1/10W
R3412	1-218-949-11	METAL CHIP	470	5%	1/16W	R3543	1-218-835-11	METAL CHIP	330	0.5%	1/10W
R3413	1-218-951-11	METAL CHIP	680	5%	1/16W	R3544	1-218-831-11	METAL CHIP	220	0.5%	1/10W
R3415	1-220-169-11	METAL CHIP	75	5%	1/16W	R3545	1-218-835-11	METAL CHIP	330	0.5%	1/10W

Ref. No.	Part No.	Description	Remark	Ref. No.	Part No.	Description	Remark
R3546	1-218-854-11	METAL CHIP 2K 0.5%	1/10W	RB2810	1-234-371-21	RES, NETWORK 47 (1005X4)	
R3547	1-218-957-11	METAL CHIP 2.2K 5%	1/16W			(RDR-DC105/DC205/DC305/	
R3548	1-218-957-11	METAL CHIP 2.2K 5%	1/16W	RB2815	1-234-371-21	RES, NETWORK 47 (1005X4)	
R3549	1-218-957-11	METAL CHIP 2.2K 5%	1/16W			(RDR-DC105/DC205/DC305/	
R3550	1-218-957-11	METAL CHIP 2.2K 5%	1/16W	RB2816	1-234-371-21	RES, NETWORK 47 (1005X4)	
						(RDR-DC105/DC205/DC305/	
		< COMPOSITION CIRCUIT BLOCK >		RB2817	1-234-371-21	RES, NETWORK 47 (1005X4)	
RB1401	1-234-370-21	RES, NETWORK 22 (1005X4)				(RDR-DC105/DC205/DC305/	
RB1402	1-234-370-21	RES, NETWORK 22 (1005X4)		RB2818	1-234-371-21	RES, NETWORK 47 (1005X4)	
RB1403	1-234-370-21	RES, NETWORK 22 (1005X4)				(RDR-DC105/DC205/DC305/	
RB1404	1-234-370-21	RES, NETWORK 22 (1005X4)		RB2820	1-234-371-21	RES, NETWORK 47 (1005X4)	
RB1405	1-234-370-21	RES, NETWORK 22 (1005X4)				(RDR-DC105/DC205/DC305/	
RB1406	1-234-370-21	RES, NETWORK 22 (1005X4)		RB2823	1-234-371-21	RES, NETWORK 47 (1005X4)	
RB1407	1-234-370-21	RES, NETWORK 22 (1005X4)				(RDR-DC105/DC205/DC305/	
RB1408	1-234-370-21	RES, NETWORK 22 (1005X4)		RB2824	1-234-371-21	RES, NETWORK 47 (1005X4)	
RB1409	1-234-370-21	RES, NETWORK 22 (1005X4)				(RDR-DC105/DC205/DC305/	
RB1410	1-234-370-21	RES, NETWORK 22 (1005X4)		RB2825	1-234-371-21	RES, NETWORK 47 (1005X4)	
RB1411	1-234-370-21	RES, NETWORK 22 (1005X4)				(RDR-DC105/DC205/DC305/	
RB1412	1-234-370-21	RES, NETWORK 22 (1005X4)		RB2826	1-234-371-21	RES, NETWORK 47 (1005X4)	
RB1413	1-234-370-21	RES, NETWORK 22 (1005X4)				(RDR-DC105/DC205/DC305/	
RB1601	1-234-400-21	CONDUCTOR, NETWORK (1005X4)		RB2827	1-234-371-21	RES, NETWORK 47 (1005X4)	
RB1602	1-234-400-21	CONDUCTOR, NETWORK (1005X4)				(RDR-DC105/DC205/DC305/	
RB1603	1-234-400-21	CONDUCTOR, NETWORK (1005X4)		RB2828	1-234-372-11	RES, NETWORK 100 (1005X4)	
RB1604	1-234-400-21	CONDUCTOR, NETWORK (1005X4)				(RDR-DC105/DC205/DC305/	
RB1605	1-234-400-21	CONDUCTOR, NETWORK (1005X4)		RB2829	1-234-372-11	RES, NETWORK 100 (1005X4)	
RB1606	1-234-400-21	CONDUCTOR, NETWORK (1005X4)				(RDR-DC105/DC205/DC305/	
RB1607	1-234-400-21	CONDUCTOR, NETWORK (1005X4)		RB2830	1-234-371-21	RES, NETWORK 47 (1005X4)	
RB1610	1-234-378-21	RES, NETWORK 10K (1005X4)				(RDR-DC105/DC205/DC305/	
RB1611	1-234-400-21	CONDUCTOR, NETWORK (1005X4)		RB2831	1-234-372-11	RES, NETWORK 100 (1005X4)	
RB1612	1-234-400-21	CONDUCTOR, NETWORK (1005X4)				(RDR-DC105/DC205/DC305/	
RB1613	1-234-400-21	CONDUCTOR, NETWORK (1005X4)		RB2832	1-234-371-21	RES, NETWORK 47 (1005X4)	
RB1614	1-234-400-21	CONDUCTOR, NETWORK (1005X4)				(RDR-DC105/DC205/DC305/	
RB2204	1-242-963-21	RES, NETWORK 33 (1005X4)		RB2833	1-234-371-21	RES, NETWORK 47 (1005X4)	
RB2205	1-242-963-21	RES, NETWORK 33 (1005X4)				(RDR-DC105/DC205/DC305/	
RB2207	1-234-702-11	RES, NETWORK 68 (1005X4)		RB2834	1-234-371-21	RES, NETWORK 47 (1005X4)	
RB2208	1-234-702-11	RES, NETWORK 68 (1005X4)				(RDR-DC105/DC205/DC305/	
RB2401	1-234-370-21	RES, NETWORK 22 (1005X4)		RB2835	1-234-371-21	RES, NETWORK 47 (1005X4)	
* RB2402	1-234-714-11	RES, NETWORK 56 (1005X4)				(RDR-DC105/DC205/DC305/	
* RB2403	1-234-714-11	RES, NETWORK 56 (1005X4)		RB2836	1-234-371-21	RES, NETWORK 47 (1005X4)	
* RB2404	1-234-714-11	RES, NETWORK 56 (1005X4)				(RDR-DC105/DC205/DC305/	
* RB2405	1-234-714-11	RES, NETWORK 56 (1005X4)		RB2837	1-234-371-21	RES, NETWORK 47 (1005X4)	
RB2601	1-242-963-21	RES, NETWORK 33 (1005X4)				(RDR-DC90/DC100/DC200/	
RB2602	1-242-963-21	RES, NETWORK 33 (1005X4)		RB2838	1-234-371-21	RES, NETWORK 47 (1005X4)	
RB2801	1-234-371-21	RES, NETWORK 47 (1005X4)				(RDR-DC90/DC100/DC200/	
RB2802	1-234-371-21	RES, NETWORK 47 (1005X4)		RB2839	1-234-400-21	CONDUCTOR, NETWORK (1005X4)	
RB2803	1-234-371-21	RES, NETWORK 47 (1005X4)				(RDR-DC105/DC205/DC305/	
RB2804	1-234-371-21	RES, NETWORK 47 (1005X4)		RB2840	1-234-400-21	CONDUCTOR, NETWORK (1005X4)	
RB2805	1-234-371-21	RES, NETWORK 47 (1005X4)				(RDR-DC105/DC205/DC305/	
RB2806	1-234-371-21	RES, NETWORK 47 (1005X4)		RB2841	1-234-400-21	CONDUCTOR, NETWORK (1005X4)	
RB2807	1-234-371-21	RES, NETWORK 47 (1005X4)				(RDR-DC90/DC100/DC200/	
RB2808	1-234-371-21	RES, NETWORK 47 (1005X4)		RB2842	1-234-400-21	CONDUCTOR, NETWORK (1005X4)	
RB2809	1-234-371-21	RES, NETWORK 47 (1005X4)				(RDR-DC90/DC100/DC200/	
				RB2843	1-234-400-21	CONDUCTOR, NETWORK (1005X4)	
						(RDR-DC105/DC205/DC305/	
				RB2844	1-234-400-21	CONDUCTOR, NETWORK (1005X4)	
						(RDR-DC105/DC205/DC305/	
				RB3002	1-242-963-21	RES, NETWORK 33 (1005X4)	
				RB3003	1-242-963-21	RES, NETWORK 33 (1005X4)	
						< TUNER UNIT >	
				△ TU2601	8-597-703-00	TUNER UNIT, DIGITAL LTD-HF415	
						< VARISTOR >	
				VD3201	1-805-774-21	VARISTOR, CHIP	
				VD3202	1-805-774-21	VARISTOR, CHIP	

The components identified by mark △ or dotted line with mark △ are critical for safety. Replace only with part number specified.

MB-129

Ref. No.	Part No.	Description	Remark
VD3203	1-805-774-21	VARISTOR, CHIP	
VD3204	1-805-774-21	VARISTOR, CHIP	
VD3205	1-805-774-21	VARISTOR, CHIP	
VD3206	1-805-774-21	VARISTOR, CHIP	
VD3207	1-805-774-21	VARISTOR, CHIP	
VD3208	1-805-774-21	VARISTOR, CHIP	
		< VIBRATOR >	
X1202	1-814-068-11	VIBRATOR, CRYSTAL (27MHz)	
* X1204	1-814-226-11	OSCILLATOR, CRYSTAL (75MHz)	
* X1801	1-814-303-11	VIBRATOR, CRYSTAL 32.768kHz)	
X2203	1-814-267-11	QUARTZ CRYSTAL UNIT (24.576MHz)	
X2801	1-814-068-11	VIBRATOR, CRYSTAL (27MHz)	
X3001	1-814-267-11	QUARTZ CRYSTAL UNIT (24.576MHz)	

		ACCESSORIES	

	1-487-288-11	REMOTE COMMANDER (RMT-D258P)	
△	1-575-131-82	CORD, POWER (AEP)	
	1-696-593-11	CORD, CONNECTION (PAL)	
△	1-827-269-12	CORD, POWER (UK)	
	1-769-451-21	CORD, CONNECTION	
*	4-131-978-11	MANUAL, INSTRUCTION (UK)	
*	4-131-978-21	MANUAL, INSTRUCTION (AEP1)	
*	4-131-978-31	MANUAL, INSTRUCTION (AEP1)	
*	4-131-978-41	MANUAL, INSTRUCTION (AEP1)	
*	4-131-978-51	MANUAL, INSTRUCTION (AEP3)	
*	4-139-800-11	MANUAL, INSTRUCTION (AEP2)	
*	4-139-800-21	MANUAL, INSTRUCTION (AEP2)	
*	4-139-800-31	MANUAL, INSTRUCTION (AEP2)	
*	4-139-800-41	MANUAL, INSTRUCTION (AEP2)	
*	4-139-800-51	MANUAL, INSTRUCTION (AEP2)	

The components identified by mark △ or dotted line with mark △ are critical for safety. Replace only with part number specified.

