

SECTION 8
REPAIR PARTS LIST

8-1. EXPLODED VIEWS

NOTE:

- -XX, -X mean standardized parts, so they may have some differences from the original one.
- Items marked “*” are not stocked since they are seldom required for routine service. Some delay should be anticipated when ordering these items.
- The mechanical parts with no reference number in the exploded views are not supplied.
- Color Indication of Appearance Parts

Example:

KNOB, BALANCE (WHITE) . . . (RED)

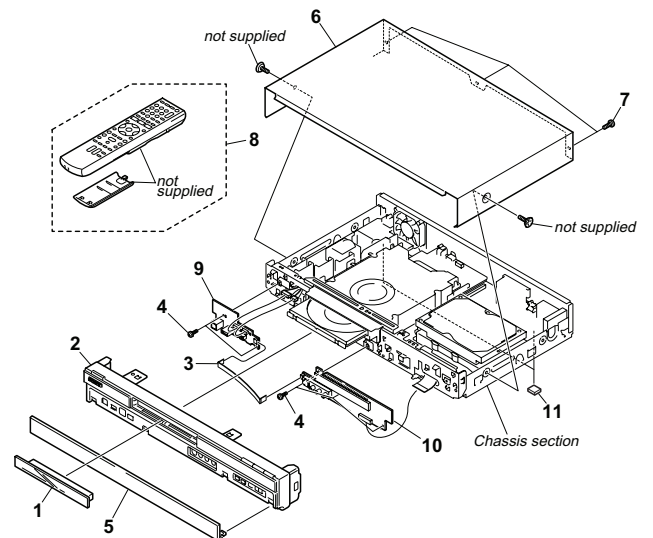
↑ ↑
Parts Color Cabinet's Color

- Abbreviation
RUS : Russian model

The components identified by mark Δ on a dotted line with mark Δ are critical for safety. Replace only with part number specified.

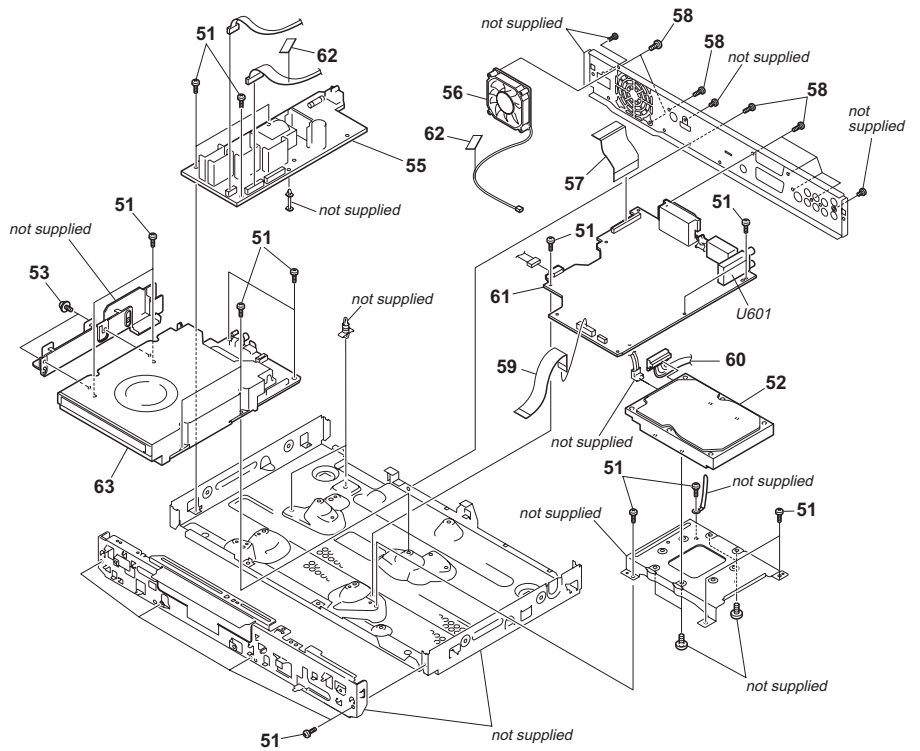
The components identified by mark Δ on a dotted line with mark Δ are confidential information. Strictly follow the instructions whenever these components are repaired and/or replaced.

8-1-1. OVERALL SECTION



Ref. No.	Part No.	Description	Remarks	Ref. No.	Part No.	Description	Remarks
1	X-2345-020-1	COVER ASSY, TRAY		7	3-076-563-11	SCREW, SPECIAL FRONT POINT	
2	X-2345-019-1	PANEL ASSY, FRONT		8	1-480-697-11	REMOTE COMMANDER (RMT-D250P) (AT105/AT107/AT200)	
3	1-834-076-21	CABLE, FLEXIBLE FLAT (FLR-010)		8	1-480-701-11	REMOTE COMMANDER (RMT-D249P) (AT100)	
4	3-077-331-01	+BV3 (3-CR)		9	A-1700-065-A	FL-196 BOARD, COMPLETE	
5	4-129-933-01	DOOR (AT100)		10	A-1700-067-A	FR-304 BOARD, COMPLETE	
5	4-129-933-11	DOOR (AT200)		11	3-087-319-01	CUSHION FOOT	
5	4-129-933-21	DOOR (AT105)					
5	4-129-933-31	DOOR (AT205)					
5	4-129-933-41	DOOR (AT107)					
6	2-899-645-01	CASE, UPPER					

8-1-2. CHASSIS SECTION



Ref. No.	Part No.	Description	Remarks	Ref. No.	Part No.	Description	Remarks
51	3-077-331-01	+BV3 (3-CR)		61	A-1520-882-A	AV-133 (AG) BOARD, COMPLETE	(AT100/AT200)
52	A-1727-576-A	HDD (SG-GARBO-S (160GB) -E) ASSY		61	A-1520-884-A	AV-133 (BG) BOARD, COMPLETE	(AT105/AT107/AT205)
52	A-1727-577-A	HDD (HG-SATURN-C-S (250GB) -E) AS		* 62	3-087-220-01	TAPE, NON-HALOGENE	
53	7-682-947-01	SCREW +PSW 3X6		⊕ 63	A-1543-920-A	DVR-U13HDD ASSY S COMP (Note)	
△ 55	1-474-048-21	REGULATOR, SWITCHING (SRV2101EK)		△ U601	1-693-753-21	TUNER (TMFE2-408B)	
56	1-787-625-41	FAN, DC					
57	1-834-075-21	CABLE, FLEXIBLE FLAT (FRA-006)					
58	3-077-331-31	+BV3 (3-CR)					
* 59	1-835-081-11	CABLE, FLEXIBLE FLAT (FAR-008)					
60	1-965-191-21	HARNESS (RH-059)					

The components identified by mark △ or dotted line with mark △ are critical for safety. Replace only with part number specified.

The components identified by mark ⊕ contain confidential information. Strictly follow the instructions whenever the components are repaired and/or replaced.

Note:
When exchanging Traverse Mechanism in Ref. No.63 please refer to the SERVICE MANUAL of * RW6G/7G TRAVERSE MECHANISM REPAIR MANUAL * (9-885-951-17)

8-2. ELECTRICAL PARTS LIST

NOTE:

- Due to standardization, replacements in the parts list may be different from the parts specified in the diagrams or the components used on the set.
- -XX, -X mean standardized parts, so they may have some difference from the original one.
- Items marked "*" are not stocked since they are seldom required for routine service. Some delay should be anticipated when ordering these items.
- CAPACITORS:
uF: μF
• COILS
uH: μH

- RESISTORS
All resistors are in ohms.
METAL: metal-film resistor
METAL OXIDE: Metal Oxide-film resistor
F: nonflammable
- SEMICONDUCTORS
In each case, u: μ, for example:
uA...; μA... , uPA... , μPA... ,
uPB... , μPB... , uPC... , μPC... ,
uPD... , μPD...
- Abbreviation
RUS : Russian model

When indicating parts by reference number, please include the board name.

The components identified by mark Δ on a dotted line with mark * are critical for safety. Replace only with part number specified.

Ref. No.	Part No.	Description	Remarks	Ref. No.	Part No.	Description	Remarks
	A-1520-882-A	AV-133 (AG) BOARD, COMPLETE (AT100/AT200)		C302	1-164-156-11	CERAMIC CHIP	0.1uF
	A-1520-884-A	AV-133 (BG) BOARD, COMPLETE (AT105/AT107/AT205) (REF.NO. ; 10,000 SERIES)		C303	1-126-933-11	ELECT	100uF 20%
		*****		C305	1-164-156-11	CERAMIC CHIP	0.1uF
		< CAPACITOR >		C306	1-164-156-11	CERAMIC CHIP	0.1uF
				C307	1-126-933-11	ELECT	100uF 20%
				C308	1-126-933-11	ELECT	100uF 20%
C104	1-104-662-91	ELECT	22uF 20%	C309	1-164-156-11	CERAMIC CHIP	0.1uF
C105	1-164-156-11	CERAMIC CHIP	0.1uF	C310	1-164-156-11	CERAMIC CHIP	0.1uF
C106	1-164-156-11	CERAMIC CHIP	0.1uF	C311	1-126-934-11	ELECT	220uF 20%
C107	1-162-959-11	CERAMIC CHIP	330PF 5%	C312	1-126-933-11	ELECT	100uF 20%
C109	1-164-156-11	CERAMIC CHIP	0.1uF	C314	1-164-156-11	CERAMIC CHIP	0.1uF
				C315	1-126-933-11	ELECT	100uF 20%
C110	1-165-908-11	CERAMIC CHIP	1uF 10%	C316	1-126-933-11	ELECT	100uF 20%
C111	1-162-913-11	CERAMIC CHIP	8PF 0.5PF	C318	1-164-156-11	CERAMIC CHIP	0.1uF
C112	1-162-914-11	CERAMIC CHIP	9PF 0.5PF	C319	1-126-933-11	ELECT	100uF 20%
C113	1-115-156-11	CERAMIC CHIP	1uF				
C114	1-162-915-11	CERAMIC CHIP	10PF 0.5PF	C320	1-126-933-11	ELECT	100uF 20%
				C322	1-162-927-11	CERAMIC CHIP	100PF 5%
C115	1-162-915-11	CERAMIC CHIP	10PF 0.5PF	C323	1-100-162-91	CERAMIC CHIP	1uF
C118	1-115-456-21	DOUBLE LAYER	0.22F 5.5V	C324	1-164-156-11	CERAMIC CHIP	0.1uF
C120	1-164-156-11	CERAMIC CHIP	0.1uF	C326	1-126-964-11	ELECT	10uF 20%
C121	1-115-156-11	CERAMIC CHIP	1uF				
C122	1-115-156-11	CERAMIC CHIP	1uF	C328	1-165-621-91	CERAMIC CHIP	0.1uF
				C329	1-164-156-11	CERAMIC CHIP	0.1uF
C124	1-164-156-11	CERAMIC CHIP	0.1uF	C401	1-115-156-11	CERAMIC CHIP	1uF
C125	1-164-156-11	CERAMIC CHIP	0.1uF	C402	1-162-927-11	CERAMIC CHIP	100PF 5%
C126	1-164-156-11	CERAMIC CHIP	0.1uF	C403	1-162-927-11	CERAMIC CHIP	100PF 5%
C127	1-126-933-11	ELECT	100uF 20%				
C131	1-164-156-11	CERAMIC CHIP	0.1uF	C404	1-115-156-11	CERAMIC CHIP	1uF
				C406	1-107-826-11	CERAMIC CHIP	0.1uF
C132	1-164-156-11	CERAMIC CHIP	0.1uF	C407	1-165-908-11	CERAMIC CHIP	1uF
C133	1-164-156-11	CERAMIC CHIP	0.1uF	C408	1-165-908-11	CERAMIC CHIP	1uF
C134	1-164-156-11	CERAMIC CHIP	0.1uF	C409	1-165-908-11	CERAMIC CHIP	1uF
C135	1-164-156-11	CERAMIC CHIP	0.1uF				
C138	1-126-961-11	ELECT	2.2uF 20%	C410	1-165-908-11	CERAMIC CHIP	1uF
				C411	1-165-908-11	CERAMIC CHIP	1uF
C139	1-164-156-11	CERAMIC CHIP	0.1uF	C412	1-165-908-11	CERAMIC CHIP	1uF
C140	1-164-156-11	CERAMIC CHIP	0.1uF	C413	1-107-826-11	CERAMIC CHIP	0.1uF
C141	1-115-156-11	CERAMIC CHIP	1uF	C414	1-164-156-11	CERAMIC CHIP	0.1uF
C142	1-100-831-91	CERAMIC CHIP	0.001uF 2%				
C149	1-162-915-11	CERAMIC CHIP	10PF 0.5PF	C415	1-164-156-11	CERAMIC CHIP	0.1uF
				C418	1-115-156-11	CERAMIC CHIP	1uF
C150	1-115-156-11	CERAMIC CHIP	1uF	C419	1-165-908-11	CERAMIC CHIP	1uF
C152	1-115-156-11	CERAMIC CHIP	1uF	C420	1-165-908-11	CERAMIC CHIP	1uF
C156	1-164-156-11	CERAMIC CHIP	0.1uF	C421	1-165-908-11	CERAMIC CHIP	1uF
C157	1-107-826-11	CERAMIC CHIP	0.1uF				
C202	1-164-156-11	CERAMIC CHIP	0.1uF	C422	1-165-908-11	CERAMIC CHIP	1uF
				C423	1-165-908-11	CERAMIC CHIP	1uF
C204	1-126-933-11	ELECT	100uF 20%	C424	1-165-908-11	CERAMIC CHIP	1uF
C205	1-104-662-91	ELECT	22uF 20%	C428	1-107-826-11	CERAMIC CHIP	0.1uF
C206	1-164-315-11	CERAMIC CHIP	470PF 5%	C431	1-107-826-11	CERAMIC CHIP	0.1uF
C208	1-107-826-11	CERAMIC CHIP	0.1uF				
C301	1-164-156-11	CERAMIC CHIP	0.1uF				

AV-133

Ref. No.	Part No.	Description	Remarks	Ref. No.	Part No.	Description	Remarks
C432	1-165-908-11	CERAMIC CHIP	1uF 10% 10V	C518	1-100-831-91	CERAMIC CHIP	0.001uF 2% 50V
C434	1-107-826-11	CERAMIC CHIP	0.1uF 10% 16V	C519	1-164-315-11	CERAMIC CHIP	470PF 5% 50V
C435	1-165-908-11	CERAMIC CHIP	1uF 10% 10V	C520	1-100-831-91	CERAMIC CHIP	0.001uF 2% 50V
C436	1-165-908-11	CERAMIC CHIP	1uF 10% 10V	C528	1-104-655-91	ELECT	470uF 20% 6.3V
C437	1-165-908-11	CERAMIC CHIP	1uF 10% 10V	C529	1-104-655-91	ELECT	470uF 20% 6.3V
C438	1-115-156-11	CERAMIC CHIP	1uF 10% 10V	C530	1-104-655-91	ELECT	470uF 20% 6.3V
C439	1-107-826-11	CERAMIC CHIP	0.1uF 10% 16V	C531	1-104-655-91	ELECT	470uF 20% 6.3V
C440	1-107-826-11	CERAMIC CHIP	0.1uF 10% 16V	C532	1-104-655-91	ELECT	470uF 20% 6.3V
C441	1-115-156-11	CERAMIC CHIP	1uF 10% 10V	C541	1-126-963-11	ELECT	4.7uF 20% 50V
C442	1-164-156-11	CERAMIC CHIP	0.1uF 25V	C542	1-126-963-11	ELECT	4.7uF 20% 50V
C443	1-165-908-11	CERAMIC CHIP	1uF 10% 10V	C543	1-126-963-11	ELECT	4.7uF 20% 50V
C444	1-165-908-11	CERAMIC CHIP	1uF 10% 10V	C544	1-126-963-11	ELECT	4.7uF 20% 50V
C445	1-165-908-11	CERAMIC CHIP	1uF 10% 10V	C545	1-126-933-11	ELECT	100uF 20% 16V
C446	1-165-908-11	CERAMIC CHIP	1uF 10% 10V	C547	1-104-662-91	ELECT	22uF 20% 25V
C447	1-107-726-91	CERAMIC CHIP	0.01uF 10% 16V	C550	1-104-662-91	ELECT	22uF 20% 25V
C450	1-107-713-11	ELECT	4.7uF 20% 50V	C551	1-104-662-91	ELECT	22uF 20% 25V
C451	1-107-713-11	ELECT	4.7uF 20% 50V	C552	1-162-927-11	CERAMIC CHIP	100PF 5% 50V
C452	1-104-658-91	ELECT	100uF 20% 10V	C602	1-162-966-11	CERAMIC CHIP	0.0022uF 10% 50V
C453	1-104-658-91	ELECT	100uF 20% 10V	C603	1-162-966-11	CERAMIC CHIP	0.0022uF 10% 50V
C454	1-104-658-91	ELECT	100uF 20% 10V	C604	1-162-927-11	CERAMIC CHIP	100PF 5% 50V
C455	1-126-963-11	ELECT	4.7uF 20% 50V	C605	1-162-915-11	CERAMIC CHIP	10PF 0.5PF 50V
C456	1-126-960-11	ELECT	1uF 20% 50V	C606	1-162-915-11	CERAMIC CHIP	10PF 0.5PF 50V
C457	1-126-964-11	ELECT	10uF 20% 50V	C608	1-125-891-11	CERAMIC CHIP	0.47uF 10% 10V
C458	1-104-658-91	ELECT	100uF 20% 10V	C609	1-104-658-91	ELECT	100uF 20% 10V
C463	1-164-156-11	CERAMIC CHIP	0.1uF 25V	C611	1-126-947-11	ELECT	47uF 20% 35V
C464	1-164-156-11	CERAMIC CHIP	0.1uF 25V	C613	1-164-156-11	CERAMIC CHIP	0.1uF 25V
C468	1-164-156-11	CERAMIC CHIP	0.1uF 25V	C614	1-164-156-11	CERAMIC CHIP	0.1uF 25V
C469	1-164-156-11	CERAMIC CHIP	0.1uF 25V	C615	1-162-927-11	CERAMIC CHIP	100PF 5% 50V
C471	1-126-964-11	ELECT	10uF 20% 50V	C616	1-107-726-91	CERAMIC CHIP	0.01uF 10% 16V
C472	1-126-964-11	ELECT	10uF 20% 50V	C617	1-164-156-11	CERAMIC CHIP	0.1uF 25V
C473	1-126-933-11	ELECT	100uF 20% 16V	C618	1-164-156-11	CERAMIC CHIP	0.1uF 25V
C474	1-126-964-11	ELECT	10uF 20% 50V	C619	1-164-156-11	CERAMIC CHIP	0.1uF 25V
C475	1-126-964-11	ELECT	10uF 20% 50V	C620	1-115-156-11	CERAMIC CHIP	1uF 10V
C476	1-107-726-91	CERAMIC CHIP	0.01uF 10% 16V	C621	1-162-924-11	CERAMIC CHIP	56PF 5% 50V
C481	1-164-156-11	CERAMIC CHIP	0.1uF 25V	C622	1-162-924-11	CERAMIC CHIP	56PF 5% 50V
C482	1-164-315-11	CERAMIC CHIP	470PF 5% 50V	C623	1-162-908-11	CERAMIC CHIP	3PF 0.25PF 50V
C484	1-164-315-11	CERAMIC CHIP	470PF 5% 50V	C624	1-162-908-11	CERAMIC CHIP	3PF 0.25PF 50V
C486	1-104-655-91	ELECT	470uF 20% 6.3V	C625	1-115-156-11	CERAMIC CHIP	1uF 10V
C487	1-104-655-91	ELECT	470uF 20% 6.3V	C626	1-164-156-11	CERAMIC CHIP	0.1uF 25V
C488	1-104-655-91	ELECT	470uF 20% 6.3V	C627	1-164-156-11	CERAMIC CHIP	0.1uF 25V
C489	1-104-655-91	ELECT	470uF 20% 6.3V	C628	1-107-726-91	CERAMIC CHIP	0.01uF 10% 16V
C490	1-104-655-91	ELECT	470uF 20% 6.3V	C629	1-164-173-11	CERAMIC CHIP	0.0039uF 10% 50V
C491	1-126-947-11	ELECT	47uF 20% 35V	C630	1-164-739-11	CERAMIC CHIP	560PF 5% 50V
C492	1-126-923-91	ELECT	220uF 20% 10V	C631	1-107-726-91	CERAMIC CHIP	0.01uF 10% 16V
C493	1-126-947-11	ELECT	47uF 20% 35V	C632	1-164-173-11	CERAMIC CHIP	0.0039uF 10% 50V
C496	1-164-156-11	CERAMIC CHIP	0.1uF 25V	C633	1-164-739-11	CERAMIC CHIP	560PF 5% 50V
C497	1-164-156-11	CERAMIC CHIP	0.1uF 25V	C635	1-162-919-11	CERAMIC CHIP	22PF 5% 50V
C498	1-164-156-11	CERAMIC CHIP	0.1uF 25V	C636	1-162-919-11	CERAMIC CHIP	22PF 5% 50V
C499	1-164-156-11	CERAMIC CHIP	0.1uF 25V	C638	1-126-964-11	ELECT	10uF 20% 50V
C500	1-164-156-11	CERAMIC CHIP	0.1uF 25V	C639	1-126-962-11	ELECT	3.3uF 20% 50V
C503	1-162-927-11	CERAMIC CHIP	100PF 5% 50V	C640	1-104-658-91	ELECT	100uF 20% 10V
C505	1-100-831-91	CERAMIC CHIP	0.001uF 2% 50V	C641	1-126-964-11	ELECT	10uF 20% 50V
C506	1-164-315-11	CERAMIC CHIP	470PF 5% 50V	C642	1-104-658-91	ELECT	100uF 20% 10V
C507	1-100-831-91	CERAMIC CHIP	0.001uF 2% 50V	C643	1-104-658-91	ELECT	100uF 20% 10V
C508	1-164-315-11	CERAMIC CHIP	470PF 5% 50V	C751	1-164-156-11	CERAMIC CHIP	0.1uF 25V
C510	1-164-156-11	CERAMIC CHIP	0.1uF 25V				
C511	1-164-230-11	CERAMIC CHIP	220PF 5% 50V				
C515	1-164-156-11	CERAMIC CHIP	0.1uF 25V				
C516	1-164-315-11	CERAMIC CHIP	470PF 5% 50V				
C517	1-164-230-11	CERAMIC CHIP	220PF 5% 50V				

(AT105/AT107/AT205)

Ref. No.	Part No.	Description	Remarks	Ref. No.	Part No.	Description	Remarks
C752	1-162-927-11	CERAMIC CHIP	100PF 5% 50V (AT105/AT107/AT205)	D524	6-500-319-01	DIODE	BAV99WT1
C753	1-162-927-11	CERAMIC CHIP	100PF 5% 50V (AT105/AT107/AT205)	D526	8-719-081-97	DIODE	MMDL914T1
C754	1-162-927-11	CERAMIC CHIP	100PF 5% 50V (AT105/AT107/AT205)	D527	8-719-081-97	DIODE	MMDL914T1
				D528	8-719-081-97	DIODE	MMDL914T1
				D529	8-719-083-63	DIODE	UDZSNPTE-1713B
		< CONNECTOR >		D530	8-719-083-63	DIODE	UDZSNPTE-1713B
CN201	1-564-704-41	PIN, CONNECTOR (SMALL TYPE) 2P		D531	8-719-081-42	DIODE	UMZ6.8N-T106
CN301	1-564-721-11	PIN, CONNECTOR (SMALL TYPE) 5P		D801	8-719-081-42	DIODE	UMZ6.8N-T106
						< FUSE >	
		< DIODE >		△ IC150	1-576-796-11	FUSE	0.5A /32V
D101	8-719-081-97	DIODE	MMDL914T1	△ IC317	1-576-796-11	FUSE	0.5A /32V
D102	8-719-081-97	DIODE	MMDL914T1			< IC >	
D103	8-719-081-97	DIODE	MMDL914T1	IC101	6-712-674-01	IC	LC87F06J2A-F59P6-E
D104	8-719-053-18	DIODE	1SR154-400TE-25	* IC102	6-711-071-01	IC	BD4846G-TR
D106	8-719-081-97	DIODE	MMDL914T1	* IC103	6-711-072-01	IC	BU4220G-TR
D108	8-719-941-09	DIODE	DAP202U	* IC104	6-711-188-01	IC	TC7MB3257FK (EL)
D201	8-719-081-97	DIODE	MMDL914T1	* IC401	6-711-073-01	IC	HA118326APFR-E
D301	8-719-083-83	DIODE	UDZSNPTE-1715B	IC402	8-759-909-71	IC	BA4558F
D302	6-500-028-01	DIODE	MM3Z9V1ST1	IC406	8-759-082-60	IC	TC7S66FU
D303	8-719-081-97	DIODE	MMDL914T1	IC601	6-702-714-01	IC	MSP3417G-QG-B8V3
D304	8-719-081-97	DIODE	MMDL914T1			< JACK >	
D409	8-719-081-42	DIODE	UMZ6.8N-T106	JA401	1-794-198-11	CONNECTOR, S TERMINAL (LINE2 OUT)	
D410	8-719-081-42	DIODE	UMZ6.8N-T106	JA751	1-764-188-31	JACK (SMALL TYPE) (DIA. 3.5) (AT105/AT107)	
D413	8-719-081-42	DIODE	UMZ6.8N-T106			< TERMINAL >	
D414	8-719-081-42	DIODE	UMZ6.8N-T106	KN101	1-537-771-21	TERMINAL BOARD, GROUND	
D415	8-719-081-42	DIODE	UMZ6.8N-T106	KN102	1-537-771-21	TERMINAL BOARD, GROUND	
D416	8-719-081-42	DIODE	UMZ6.8N-T106			< COIL >	
D418	8-719-081-97	DIODE	MMDL914T1	L102	1-410-517-11	INDUCTOR	47uH
D419	8-719-081-97	DIODE	MMDL914T1	L201	1-412-549-31	INDUCTOR	1mH
D420	8-719-941-09	DIODE	DAP202UT106	L303	1-500-245-11	INDUCTOR, FERRITE BEAD	
D421	6-501-486-01	DIODE	NNCD3.9F-T1B	L304	1-408-621-31	INDUCTOR	330uH
D422	6-501-486-01	DIODE	NNCD3.9F-T1B	L305	1-500-245-11	INDUCTOR, FERRITE BEAD	
D501	8-719-976-99	DIODE	DTZ5.1B	L501	1-414-594-11	INDUCTOR, FERRITE BEAD	
D502	8-719-976-99	DIODE	DTZ5.1B	L502	1-414-594-11	INDUCTOR, FERRITE BEAD	
D503	6-501-486-01	DIODE	NNCD3.9F-T1B	L601	1-500-245-11	INDUCTOR, FERRITE BEAD	
D504	8-719-081-42	DIODE	UMZ6.8N-T106	L602	1-500-245-11	INDUCTOR, FERRITE BEAD	
D505	8-719-081-42	DIODE	UMZ6.8N-T106	L604	1-414-760-21	INDUCTOR, FERRITE BEAD	
D506	8-719-081-42	DIODE	UMZ6.8N-T106	L605	1-414-760-21	INDUCTOR, FERRITE BEAD	
D507	8-719-081-42	DIODE	UMZ6.8N-T106	L606	1-500-245-11	INDUCTOR, FERRITE BEAD	
D508	6-501-486-01	DIODE	NNCD3.9F-T1B	L607	1-412-963-11	INDUCTOR	100uH
D509	8-719-081-42	DIODE	UMZ6.8N-T106	L608	1-500-245-11	INDUCTOR, FERRITE BEAD	
D510	6-501-486-01	DIODE	NNCD3.9F-T1B	L609	1-412-951-11	INDUCTOR	10uH
D511	8-719-081-42	DIODE	UMZ6.8N-T106	L751	1-414-760-21	INDUCTOR, FERRITE BEAD	(AT105/AT107)
D512	6-501-486-01	DIODE	NNCD3.9F-T1B	L801	1-414-228-11	INDUCTOR, FERRITE BEAD	
D513	8-719-081-42	DIODE	UMZ6.8N-T106	L802	1-414-228-11	INDUCTOR, FERRITE BEAD	
D514	8-719-081-42	DIODE	UMZ6.8N-T106	L803	1-216-864-11	SHORT CHIP	0
D515	8-719-081-42	DIODE	UMZ6.8N-T106	L851	1-414-228-11	INDUCTOR, FERRITE BEAD	
D516	8-719-081-42	DIODE	UMZ6.8N-T106				
D517	8-719-081-42	DIODE	UMZ6.8N-T106				
D518	8-719-081-42	DIODE	UMZ6.8N-T106				
D519	8-719-081-42	DIODE	UMZ6.8N-T106				
D520	8-719-081-42	DIODE	UMZ6.8N-T106				
D521	8-719-081-42	DIODE	UMZ6.8N-T106				
D522	8-719-081-42	DIODE	UMZ6.8N-T106				
D523	6-500-319-01	DIODE	BAV99WT1				

Note : The components identified by mark △ or d line with mark △ are critical for safety. Replace only with part number specified.

AV-133

Ref. No.	Part No.	Description	Remarks	Ref. No.	Part No.	Description	Remarks
L852	1-414-228-11	INDUCTOR, FERRITE BEAD		Q605	6-551-699-01	TRANSISTOR	ISA1602AM1TP-1EF
L853	1-414-228-11	INDUCTOR, FERRITE BEAD		Q606	8-729-620-13	TRANSISTOR	2SC4154TP-1EF
L854	1-414-228-11	INDUCTOR, FERRITE BEAD		Q751	6-551-699-01	TRANSISTOR	ISA1602AM1TP-1EF (AT105/AT107/AT205)
L855	1-500-283-11	INDUCTOR, FERRITE BEAD		Q752	8-729-620-13	TRANSISTOR	2SC4154TP-1EF (AT105/AT107/AT205)
L856	1-414-228-11	INDUCTOR, FERRITE BEAD		Q801	8-729-620-13	TRANSISTOR	2SC4154TP-1EF
L857	1-414-228-11	INDUCTOR, FERRITE BEAD				< RESISTOR >	
L858	1-414-228-11	INDUCTOR, FERRITE BEAD		R101	1-216-809-11	METAL CHIP	100 5% 1/10W
L859	1-414-228-11	INDUCTOR, FERRITE BEAD		R102	1-216-809-11	METAL CHIP	100 5% 1/10W
L860	1-500-283-11	INDUCTOR, FERRITE BEAD		R103	1-216-809-11	METAL CHIP	100 5% 1/10W
L861	1-469-876-11	INDUCTOR, FERRITE BEAD		R104	1-216-841-11	METAL CHIP	47K 5% 1/10W
L862	1-469-796-21	FERRITE, CHIP		R105	1-216-809-11	METAL CHIP	100 5% 1/10W
		< TRANSISTOR >		R106	1-216-864-11	SHORT CHIP	0
Q101	8-729-029-06	TRANSISTOR	DTC124EUA-T106	R107	1-216-833-11	METAL CHIP	10K 5% 1/10W
Q102	8-729-620-13	TRANSISTOR	2SC4154TP-1EF	R109	1-216-815-11	METAL CHIP	330 5% 1/10W
Q103	6-550-375-01	TRANSISTOR	UMD2N-TR	R110	1-216-809-11	METAL CHIP	100 5% 1/10W
Q104	6-550-375-01	TRANSISTOR	UMD2N-TR	R111	1-216-809-11	METAL CHIP	100 5% 1/10W
Q105	8-729-023-22	TRANSISTOR	2SD2114K	R112	1-216-833-11	METAL CHIP	10K 5% 1/10W
Q108	8-729-029-06	TRANSISTOR	DTC124EUA-T106	R113	1-216-864-11	SHORT CHIP	0
Q110	8-729-028-86	TRANSISTOR	DTA143EUA-T106 (AT105/AT107/AT205)	R116	1-216-864-11	SHORT CHIP	0
Q111	8-729-620-13	TRANSISTOR	2SC4154TP-1EF	R117	1-216-857-11	METAL CHIP	1M 5% 1/10W
Q112	8-729-620-13	TRANSISTOR	2SC4154TP-1EF	R118	1-216-864-11	SHORT CHIP	0
Q201	8-729-023-22	TRANSISTOR	2SD2114K	R123	1-216-815-11	METAL CHIP	330 5% 1/10W
Q301	6-550-375-01	TRANSISTOR	UMD2N-TR	R124	1-216-815-11	METAL CHIP	330 5% 1/10W
Q302	8-729-620-13	TRANSISTOR	2SC4154TP-1EF	R125	1-216-809-11	METAL CHIP	100 5% 1/10W
Q303	6-550-375-01	TRANSISTOR	UMD2N-TR	R126	1-216-809-11	METAL CHIP	100 5% 1/10W
Q304	8-729-044-09	TRANSISTOR	2SD2153T100V	R127	1-216-833-11	METAL CHIP	10K 5% 1/10W
Q305	6-550-375-01	TRANSISTOR	UMD2N-TR	R129	1-216-815-11	METAL CHIP	330 5% 1/10W
Q306	8-729-901-87	TRANSISTOR	2SC2411K-CQ	R130	1-216-864-11	SHORT CHIP	0
Q307	6-550-375-01	TRANSISTOR	UMD2N-TR	R131	1-216-829-11	METAL CHIP	4.7K 5% 1/10W
Q308	8-729-901-87	TRANSISTOR	2SC2411K-CQ	R132	1-218-867-11	METAL CHIP	6.8K 0.5% 1/10W
* Q309	6-551-719-01	TRANSISTOR	2SC5876T106QR	R133	1-216-845-11	METAL CHIP	100K 5% 1/10W
Q310	8-729-620-13	TRANSISTOR	2SC4154TP-1EF	R134	1-216-821-11	METAL CHIP	1K 5% 1/10W
Q311	8-729-013-22	TRANSISTOR	HN1A01FU-TE85R	R135	1-216-845-11	METAL CHIP	100K 5% 1/10W
Q401	8-729-029-06	TRANSISTOR	DTC124EUA-T106	R137	1-216-809-11	METAL CHIP	100 5% 1/10W
Q402	8-729-023-22	TRANSISTOR	2SD2114K	R138	1-216-817-11	METAL CHIP	470 5% 1/10W
Q403	6-551-699-01	TRANSISTOR	ISA1602AM1TP-1EF	R139	1-218-867-11	METAL CHIP	6.8K 0.5% 1/10W
Q404	6-550-375-01	TRANSISTOR	UMD2N-TR	R140	1-216-864-11	SHORT CHIP	0
Q406	8-729-023-22	TRANSISTOR	2SD2114K	R141	1-218-867-11	METAL CHIP	6.8K 0.5% 1/10W
Q407	8-729-023-22	TRANSISTOR	2SD2114K	R142	1-216-864-11	SHORT CHIP	0
Q408	8-729-620-13	TRANSISTOR	2SC4154TP-1EF	R143	1-216-809-11	METAL CHIP	100 5% 1/10W
Q410	8-729-620-13	TRANSISTOR	2SC4154TP-1EF	R144	1-216-864-11	SHORT CHIP	0
Q411	6-550-375-01	TRANSISTOR	UMD2N-TR	R145	1-216-833-11	METAL CHIP	10K 5% 1/10W
Q413	8-729-029-06	TRANSISTOR	DTC124EUA-T106	R146	1-216-809-11	METAL CHIP	100 5% 1/10W
Q501	6-551-718-01	TRANSISTOR	UMH1NTN	R147	1-216-821-11	METAL CHIP	1K 5% 1/10W
Q502	6-551-699-01	TRANSISTOR	ISA1602AM1TP-1EF	R148	1-216-809-11	METAL CHIP	100 5% 1/10W
Q503	8-729-620-13	TRANSISTOR	2SC4154TP-1EF	R149	1-216-864-11	SHORT CHIP	0
Q504	8-729-620-13	TRANSISTOR	2SC4154TP-1EF	R150	1-216-864-11	SHORT CHIP	0
Q505	8-729-620-13	TRANSISTOR	2SC4154TP-1EF	R151	1-216-864-11	SHORT CHIP	0
Q506	8-729-013-26	TRANSISTOR	HN1C03FU-TE85R	R152	1-216-864-11	SHORT CHIP	0
Q507	8-729-013-26	TRANSISTOR	HN1C03FU-TE85R	R153	1-216-809-11	METAL CHIP	100 5% 1/10W
Q508	8-729-028-83	TRANSISTOR	DTA124EUA-T106	R154	1-216-809-11	METAL CHIP	100 5% 1/10W
Q509	8-729-620-13	TRANSISTOR	2SC4154TP-1EF	R155	1-216-809-11	METAL CHIP	100 5% 1/10W
Q510	8-729-620-13	TRANSISTOR	2SC4154TP-1EF	R156	1-216-809-11	METAL CHIP	100 5% 1/10W
Q511	6-551-699-01	TRANSISTOR	ISA1602AM1TP-1EF	R157	1-216-845-11	METAL CHIP	100K 5% 1/10W
Q601	6-551-699-01	TRANSISTOR	ISA1602AM1TP-1EF	R158	1-216-845-11	METAL CHIP	100K 5% 1/10W
Q602	6-551-699-01	TRANSISTOR	ISA1602AM1TP-1EF	R159	1-216-864-11	SHORT CHIP	0
Q604	6-551-699-01	TRANSISTOR	ISA1602AM1TP-1EF				

Ref. No.	Part No.	Description	Quantity	Unit	Remarks	Ref. No.	Part No.	Description	Quantity	Unit	Remarks
R160	1-216-809-11	METAL CHIP	100	5%	1/10W	R313	1-216-848-11	METAL CHIP	180K	5%	1/10W
R161	1-216-864-11	SHORT CHIP	0			R314	1-216-837-11	METAL CHIP	22K	5%	1/10W
R165	1-216-864-11	SHORT CHIP	0			R315	1-218-895-11	METAL CHIP	100K	0.5%	1/10W
R167	1-216-809-11	METAL CHIP	100	5%	1/10W	R316	1-218-879-11	METAL CHIP	22K	0.5%	1/10W
R168	1-216-812-11	METAL CHIP	180	5%	1/10W	R402	1-216-818-11	METAL CHIP	560	5%	1/10W
R169	1-216-833-11	METAL CHIP	10K	5%	1/10W	R403	1-216-818-11	METAL CHIP	560	5%	1/10W
R171	1-216-809-11	METAL CHIP	100	5%	1/10W	R408	1-216-817-11	METAL CHIP	470	5%	1/10W
R172	1-216-809-11	METAL CHIP	100	5%	1/10W	R413	1-216-817-11	METAL CHIP	470	5%	1/10W
R173	1-216-845-11	METAL CHIP	100K	5%	1/10W	R414	1-216-817-11	METAL CHIP	470	5%	1/10W
R174	1-216-845-11	METAL CHIP	100K	5%	1/10W	R415	1-216-817-11	METAL CHIP	470	5%	1/10W
R175	1-216-815-11	METAL CHIP	330	5%	1/10W	R416	1-216-817-11	METAL CHIP	470	5%	1/10W
R176	1-216-821-11	METAL CHIP	1K	5%	1/10W	R417	1-216-817-11	METAL CHIP	470	5%	1/10W
R177	1-216-809-11	METAL CHIP	100	5%	1/10W	R418	1-216-817-11	METAL CHIP	470	5%	1/10W
R178	1-216-809-11	METAL CHIP	100	5%	1/10W	R419	1-216-817-11	METAL CHIP	470	5%	1/10W
R179	1-216-809-11	METAL CHIP	100	5%	1/10W	R420	1-216-860-11	METAL CHIP	1.8M	5%	1/10W
R180	1-216-809-11	METAL CHIP	100	5%	1/10W	R421	1-216-860-11	METAL CHIP	1.8M	5%	1/10W
R181	1-216-809-11	METAL CHIP	100	5%	1/10W	R422	1-216-833-11	METAL CHIP	10K	5%	1/10W
R182	1-216-809-11	METAL CHIP	100	5%	1/10W	R425	1-216-845-11	METAL CHIP	100K	5%	1/10W
R188	1-216-815-11	METAL CHIP	330	5%	1/10W	R428	1-216-864-11	SHORT CHIP	0		
R189	1-216-817-11	METAL CHIP	470	5%	1/10W	R430	1-216-857-11	METAL CHIP	1M	5%	1/10W
R193	1-216-845-11	METAL CHIP	100K	5%	1/10W	R431	1-216-857-11	METAL CHIP	1M	5%	1/10W
R194	1-216-845-11	METAL CHIP	100K	5%	1/10W	R432	1-216-857-11	METAL CHIP	1M	5%	1/10W
R195	1-216-845-11	METAL CHIP	100K	5%	1/10W	R433	1-216-857-11	METAL CHIP	1M	5%	1/10W
R197	1-216-864-11	SHORT CHIP	0			R435	1-216-857-11	METAL CHIP	1M	5%	1/10W
R199	1-216-809-11	METAL CHIP	100	5%	1/10W	R436	1-216-809-11	METAL CHIP	100	5%	1/10W
R200	1-216-815-11	METAL CHIP	330	5%	1/10W	R437	1-216-809-11	METAL CHIP	100	5%	1/10W
R201	1-216-864-11	SHORT CHIP	0		(AT105/AT107/AT205)	R439	1-216-860-11	METAL CHIP	1.8M	5%	1/10W
R202	1-216-864-11	SHORT CHIP	0			R444	1-208-755-11	METAL CHIP	75	0.5%	1/10W
R203	1-216-864-11	SHORT CHIP	0			R445	1-208-755-11	METAL CHIP	75	0.5%	1/10W
R204	1-216-809-11	METAL CHIP	100	5%	1/10W	R447	1-208-755-11	METAL CHIP	75	0.5%	1/10W
R205	1-216-809-11	METAL CHIP	100	5%	1/10W	R453	1-218-869-11	METAL CHIP	8.2K	0.5%	1/10W
R207	1-216-817-11	METAL CHIP	470	5%	1/10W	R454	1-218-871-11	METAL CHIP	10K	0.5%	1/10W
R208	1-216-864-11	SHORT CHIP	0		(AT105/AT107/AT205)	R455	1-216-805-11	METAL CHIP	47	5%	1/10W
R209	1-216-827-11	METAL CHIP	3.3K	5%	1/10W	R458	1-216-817-11	METAL CHIP	470	5%	1/10W
R210	1-218-845-11	METAL CHIP	820	0.5%	1/10W	R460	1-216-864-11	SHORT CHIP	0		
R214	1-216-827-11	METAL CHIP	3.3K	5%	1/10W	R461	1-216-819-11	METAL CHIP	680	5%	1/10W
R215	1-216-819-11	METAL CHIP	680	5%	1/10W	R462	1-218-871-11	METAL CHIP	10K	0.5%	1/10W
R216	1-218-844-11	METAL CHIP	750	0.5%	1/10W	R463	1-218-869-11	METAL CHIP	8.2K	0.5%	1/10W
R217	1-216-821-11	METAL CHIP	1K	5%	1/10W	R465	1-216-817-11	METAL CHIP	470	5%	1/10W
R219	1-216-827-11	METAL CHIP	3.3K	5%	1/10W	R468	1-208-754-11	METAL CHIP	68	0.5%	1/10W
R220	1-216-825-11	METAL CHIP	2.2K	5%	1/10W	R469	1-216-306-11	RES-CHIP	3.9	5%	1/10W
R221	1-216-809-11	METAL CHIP	100	5%	1/10W	R470	1-208-755-11	METAL CHIP	75	0.5%	1/10W
R222	1-216-864-11	SHORT CHIP	0			R471	1-216-295-91	SHORT CHIP	0		
R223	1-216-864-11	SHORT CHIP	0			R472	1-208-754-11	METAL CHIP	68	0.5%	1/10W
R224	1-216-864-11	SHORT CHIP	0			R473	1-216-306-11	RES-CHIP	3.9	5%	1/10W
R226	1-216-835-11	METAL CHIP	15K	5%	1/10W	R474	1-208-754-11	METAL CHIP	68	0.5%	1/10W
R228	1-216-864-11	SHORT CHIP	0			R475	1-216-306-11	RES-CHIP	3.9	5%	1/10W
R233	1-216-845-11	METAL CHIP	100K	5%	1/10W	R476	1-208-754-11	METAL CHIP	68	0.5%	1/10W
R240	1-216-864-11	SHORT CHIP	0			R477	1-216-306-11	RES-CHIP	3.9	5%	1/10W
R241	1-216-864-11	SHORT CHIP	0			R478	1-208-754-11	METAL CHIP	68	0.5%	1/10W
R242	1-216-864-11	SHORT CHIP	0			R479	1-216-817-11	METAL CHIP	470	5%	1/10W
R255	1-216-809-11	METAL CHIP	100	5%	1/10W	R480	1-216-306-11	RES-CHIP	3.9	5%	1/10W
R256	1-216-809-11	METAL CHIP	100	5%	1/10W	R482	1-216-809-11	METAL CHIP	100	5%	1/10W
R304	1-216-809-11	METAL CHIP	100	5%	1/10W	R484	1-216-821-11	METAL CHIP	1K	5%	1/10W
R305	1-216-803-11	METAL CHIP	33	5%	1/10W	R485	1-216-837-11	METAL CHIP	22K	5%	1/10W
R306	1-216-803-11	METAL CHIP	33	5%	1/10W	R486	1-216-821-11	METAL CHIP	1K	5%	1/10W
R309	1-216-823-11	METAL CHIP	1.5K	5%	1/10W	R487	1-216-837-11	METAL CHIP	22K	5%	1/10W
R310	1-216-829-11	METAL CHIP	4.7K	5%	1/10W	R488	1-216-817-11	METAL CHIP	470	5%	1/10W
R311	1-216-820-11	METAL CHIP	820	5%	1/10W	R490	1-216-809-11	METAL CHIP	100	5%	1/10W
R312	1-216-833-11	METAL CHIP	10K	5%	1/10W	R501	1-208-755-11	METAL CHIP	75	0.5%	1/10W

AV-133

Ref. No.	Part No.	Description		Remarks	Ref. No.	Part No.	Description		Remarks	
R502	1-208-755-11	METAL CHIP	75	0.5%	1/10W	R558	1-216-833-11	METAL CHIP	10K 5%	1/10W
R503	1-208-755-11	METAL CHIP	75	0.5%	1/10W	R559	1-216-864-11	SHORT CHIP	0	
R504	1-208-754-11	METAL CHIP	68	0.5%	1/10W	R560	1-216-835-11	METAL CHIP	15K 5%	1/10W
R505	1-216-306-11	RES-CHIP	3.9	5%	1/10W	R561	1-216-819-11	METAL CHIP	680 5%	1/10W
R506	1-216-864-11	SHORT CHIP	0			R562	1-216-833-11	METAL CHIP	10K 5%	1/10W
R507	1-216-829-11	METAL CHIP	4.7K	5%	1/10W	R563	1-216-864-11	SHORT CHIP	0	
R508	1-216-841-11	METAL CHIP	47K	5%	1/10W	R564	1-216-835-11	METAL CHIP	15K 5%	1/10W
R509	1-216-838-11	METAL CHIP	27K	5%	1/10W	R565	1-216-819-11	METAL CHIP	680 5%	1/10W
R510	1-216-861-11	METAL CHIP	2.2M	5%	1/10W	R566	1-216-837-11	METAL CHIP	22K 5%	1/10W
R511	1-216-849-11	METAL CHIP	220K	5%	1/10W	R568	1-216-834-11	METAL CHIP	12K 5%	1/10W
R512	1-216-845-11	METAL CHIP	100K	5%	1/10W	R569	1-216-821-11	METAL CHIP	1K 5%	1/10W
R513	1-216-845-11	METAL CHIP	100K	5%	1/10W	R571	1-208-755-11	METAL CHIP	75 0.5%	1/10W
R514	1-208-755-11	METAL CHIP	75	0.5%	1/10W	R573	1-500-283-11	INDUCTOR, FERRITE BEAD		
R515	1-216-043-91	RES-CHIP	560	5%	1/10W	R602	1-216-821-11	METAL CHIP	1K 5%	1/10W
R516	1-216-822-11	METAL CHIP	1.2K	5%	1/10W	R603	1-216-864-11	SHORT CHIP	0	
R517	1-216-823-11	METAL CHIP	1.5K	5%	1/10W	R605	1-216-833-11	METAL CHIP	10K 5%	1/10W
R518	1-216-797-11	METAL CHIP	10	5%	1/10W	R606	1-216-833-11	METAL CHIP	10K 5%	1/10W
R519	1-216-842-11	METAL CHIP	56K	5%	1/10W	R607	1-216-821-11	METAL CHIP	1K 5%	1/10W
R520	1-216-813-11	METAL CHIP	220	5%	1/10W	R609	1-216-864-11	SHORT CHIP	0	
R521	1-208-754-11	METAL CHIP	68	0.5%	1/10W	R616	1-216-864-11	SHORT CHIP	0	
R522	1-216-306-11	RES-CHIP	3.9	5%	1/10W	R619	1-216-833-11	METAL CHIP	10K 5%	1/10W
R523	1-208-754-11	METAL CHIP	68	0.5%	1/10W	R620	1-216-864-11	SHORT CHIP	0	
R524	1-216-306-11	RES-CHIP	3.9	5%	1/10W	R621	1-216-809-11	METAL CHIP	100 5%	1/10W
R525	1-208-754-11	METAL CHIP	68	0.5%	1/10W	R622	1-216-809-11	METAL CHIP	100 5%	1/10W
R526	1-216-306-11	RES-CHIP	3.9	5%	1/10W	R623	1-216-821-11	METAL CHIP	1K 5%	1/10W
R527	1-216-295-91	SHORT CHIP	0			R624	1-216-827-11	METAL CHIP	3.3K 5%	1/10W
R528	1-208-755-11	METAL CHIP	75	0.5%	1/10W	R625	1-216-827-11	METAL CHIP	3.3K 5%	1/10W
R529	1-216-845-11	METAL CHIP	100K	5%	1/10W	R626	1-216-821-11	METAL CHIP	1K 5%	1/10W
R530	1-208-755-11	METAL CHIP	75	0.5%	1/10W	R627	1-216-827-11	METAL CHIP	3.3K 5%	1/10W
R531	1-216-295-91	SHORT CHIP	0			R628	1-216-827-11	METAL CHIP	3.3K 5%	1/10W
R532	1-208-755-11	METAL CHIP	75	0.5%	1/10W	R630	1-216-815-11	METAL CHIP	330 5%	1/10W
R534	1-216-828-11	METAL CHIP	3.9K	5%	1/10W	R631	1-216-829-11	METAL CHIP	4.7K 5%	1/10W
R535	1-216-828-11	METAL CHIP	3.9K	5%	1/10W	R632	1-216-801-11	METAL CHIP	22 5%	1/10W
R536	1-216-817-11	METAL CHIP	470	5%	1/10W	R633	1-216-809-11	METAL CHIP	100 5%	1/10W
R537	1-216-809-11	METAL CHIP	100	5%	1/10W	R634	1-216-825-11	METAL CHIP	2.2K 5%	1/10W
R538	1-216-817-11	METAL CHIP	470	5%	1/10W	R635	1-400-330-21	FERRITE	0uH	
R539	1-216-809-11	METAL CHIP	100	5%	1/10W	R636	1-400-330-21	FERRITE	0uH	
R540	1-216-845-11	METAL CHIP	100K	5%	1/10W	R637	1-400-330-21	FERRITE	0uH	
R541	1-216-845-11	METAL CHIP	100K	5%	1/10W	R638	1-216-809-11	METAL CHIP	100 5%	1/10W
R542	1-216-809-11	METAL CHIP	100	5%	1/10W	R701	1-216-849-11	METAL CHIP	220K 5%	1/10W
R543	1-216-809-11	METAL CHIP	100	5%	1/10W	R751	1-216-821-11	METAL CHIP	1K 5%	1/10W
R544	1-216-809-11	METAL CHIP	100	5%	1/10W				(AT105/AT107/AT205)	
R545	1-216-809-11	METAL CHIP	100	5%	1/10W	R752	1-216-829-11	METAL CHIP	4.7K 5%	1/10W
R546	1-216-845-11	METAL CHIP	100K	5%	1/10W				(AT105/AT107/AT205)	
R547	1-216-845-11	METAL CHIP	100K	5%	1/10W	R753	1-216-829-11	METAL CHIP	4.7K 5%	1/10W
R548	1-216-845-11	METAL CHIP	100K	5%	1/10W				(AT105/AT107/AT205)	
R549	1-216-845-11	METAL CHIP	100K	5%	1/10W	R754	1-216-811-11	METAL CHIP	150 5%	1/10W
R550	1-216-817-11	METAL CHIP	470	5%	1/10W				(AT105/AT107/AT205)	
R551	1-216-809-11	METAL CHIP	100	5%	1/10W	R755	1-216-829-11	METAL CHIP	4.7K 5%	1/10W
R552	1-216-817-11	METAL CHIP	470	5%	1/10W				(AT105/AT107/AT205)	
R553	1-216-809-11	METAL CHIP	100	5%	1/10W	R756	1-216-821-11	METAL CHIP	1K 5%	1/10W
R554	1-216-845-11	METAL CHIP	100K	5%	1/10W				(AT105/AT107/AT205)	
R555	1-216-845-11	METAL CHIP	100K	5%	1/10W	R810	1-216-805-11	METAL CHIP	47 5%	1/10W
R556	1-216-828-11	METAL CHIP	3.9K	5%	1/10W	R811	1-216-817-11	METAL CHIP	470 5%	1/10W
R557	1-216-828-11	METAL CHIP	3.9K	5%	1/10W					

AV-133**FL-196****FR-3**

Ref. No.	Part No.	Description	Remarks	Ref. No.	Part No.	Description	Remarks
		< TUNER >					
△U601	1-693-753-21	TUNER(TMFE2-408B)		A-1700-067-A	FR-304 BOARD, COMPLETE	(REF.NO. ; 30,000 S	
		< VIBRATOR >				*****	
* X101	1-813-965-31	VIBRATOR, CRYSTAL (15MHz)		*	4-129-980-01	SPACER, FL	
X102	1-795-950-11	VIBRATOR, CRYSTAL (32.768kHz)				< CAPACITOR >	
* X601	1-813-713-21	VIBRATOR, CRYSTAL (18.432MHZ)					

	A-1700-065-A	FL-196 BOARD, COMPLETE		C201	1-117-681-11	ELECT CHIP 100uF	20% 16V
		(REF.NO. ; 30,000 SERIES)		C204	1-164-230-11	CERAMIC CHIP 220PF	5% 50V
		*****		C206	1-164-230-11	CERAMIC CHIP 220PF	5% 50V
		< CAPACITOR >		C211	1-107-826-11	CERAMIC CHIP 0.1uF	10% 16V
C101	1-115-156-11	CERAMIC CHIP 1uF	10V	C213	1-165-621-91	CERAMIC CHIP 0.1uF	50V
C102	1-115-156-11	CERAMIC CHIP 1uF	10V				
C107	1-107-726-91	CERAMIC CHIP 0.01uF	10% 16V	C215	1-115-339-11	CERAMIC CHIP 0.1uF	10% 50V
C111	1-117-681-11	ELECT CHIP 100uF	20% 16V	C216	1-126-400-11	ELECT CHIP 22uF	20% 35V
		< CONNECTOR >		C217	1-115-339-11	CERAMIC CHIP 0.1uF	10% 50V
CN104	1-819-866-11	CONNECTOR, USB (A) (←)		C221	1-107-726-91	CERAMIC CHIP 0.01uF	10% 16V
CN105	1-817-693-11	CONNECTOR, USB (B) (PictBridge)		C222	1-107-726-91	CERAMIC CHIP 0.01uF	10% 16V
		< CHOKE COIL >					
FL101	1-456-390-21	INDUCTOR 0uH		C223	1-115-339-11	CERAMIC CHIP 0.1uF	10% 50V
FL102	1-456-390-21	INDUCTOR 0uH				< CONNECTOR >	
		< IC >		CN201	1-815-381-11	CONNECTOR, FPC/FFC 5P	
IC101	6-600-500-01	IC GP1UM28XK0SF		CN202	1-816-497-11	CONNECTOR, FFC/FPC 24P	
		< COIL >				< DIODE >	
L102	1-400-180-21	FERRITE 0uH		D202	8-719-067-40	DIODE STZ6.8N-T146	
L103	1-400-180-21	FERRITE 0uH		D203	8-719-067-40	DIODE STZ6.8N-T146	
L104	1-400-180-21	FERRITE 0uH		D204	8-719-067-40	DIODE STZ6.8N-T146	
L105	1-400-180-21	FERRITE 0uH		D205	8-719-067-40	DIODE STZ6.8N-T146	
		< RESISTOR >		D206	8-719-067-40	DIODE STZ6.8N-T146	
R104	1-216-803-11	METAL CHIP 33 5% 1/10W		D207	8-719-067-40	DIODE STZ6.8N-T146	
R105	1-216-803-11	METAL CHIP 33 5% 1/10W		D208	8-719-081-97	DIODE MMDL914T1	
R108	1-216-803-11	METAL CHIP 33 5% 1/10W		D209	8-719-081-97	DIODE MMDL914T1	
R109	1-216-803-11	METAL CHIP 33 5% 1/10W		D210	8-719-081-97	DIODE MMDL914T1	
R112	1-216-864-11	SHORT CHIP 0		D211	8-719-081-97	DIODE MMDL914T1	
R113	1-216-864-11	SHORT CHIP 0				< FERRITE BEAD >	
		< SWITCH >		FB201	1-414-228-11	FERRITE 0uH	
S101	1-786-726-11	SWITCH, TACTILE (POWER)		FB202	1-414-228-11	FERRITE 0uH	
S102	1-786-726-11	SWITCH, TACTILE (ONE-TOUCH DUB)				< IC >	
		< VARISTOR >		IC201	6-701-729-01	IC PT6315	
VDR102	1-802-071-21	VARISTOR, CHIP				< COIL >	
VDR104	1-802-071-21	VARISTOR, CHIP		L201	1-411-919-11	INDUCTOR 100uH	
		*****				< FLUORESCENT INDICATOR TUBE >	
				ND201	1-519-964-21	INDICATOR TUBE, FLUORESCENT	

Note : The components identified by mark △ or dotted line with mark △ are critical for safety. Replace only with part number specified.

FR-304

RD-066

Ref. No.	Part No.	Description	Remarks	Ref. No.	Part No.	Description	Remarks
		< TRANSISTOR >					
Q201	8-729-052-91	TRANSISTOR	2SD1898T100R	S206	1-786-726-11	SWITCH, TACTILE (STOP)	
Q202	8-729-052-91	TRANSISTOR	2SD1898T100R	S207	1-786-726-11	SWITCH, TACTILE (PLAY)	
Q203	6-552-221-01	TRANSISTOR	2SA2188-T112-1F	S209	1-786-726-11	SWITCH, TACTILE (OPEN/CLOSE)	
Q204	8-729-421-19	TRANSISTOR	UN2213				
Q205	8-729-029-06	TRANSISTOR	DTC124EUA-T106			< TRANSFORMER >	
Q206	8-729-029-10	TRANSISTOR	DTC143TUA-T106	* T201	1-445-207-11	TRANSFORMER, DC-DC CONVERTER	*****
		< RESISTOR >				RD-066 (AS) BOARD (not supplied)	(REF.NO. ; 20,000 SERIES)
R201	1-216-295-91	SHORT CHIP	0			*****	
R205	1-216-864-11	SHORT CHIP	0			< CAPACITOR >	
R206	1-216-864-11	SHORT CHIP	0				
R207	1-216-864-11	SHORT CHIP	0				
R209	1-216-833-11	METAL CHIP	10K	5%	1/10W	C100	1-164-937-11 CERAMIC CHIP 0.001uF 10% 50V
R210	1-216-825-11	METAL CHIP	2.2K	5%	1/10W	C101	1-164-937-11 CERAMIC CHIP 0.001uF 10% 50V
R213	1-216-864-11	SHORT CHIP	0			C103	1-126-210-21 ELECT CHIP 220uF 20% 4V
R215	1-216-830-11	METAL CHIP	5.6K	5%	1/10W	C104	1-114-130-11 CERAMIC CHIP 1uF 10% 6.3V
R216	1-216-825-11	METAL CHIP	2.2K	5%	1/10W	C105	1-164-937-11 CERAMIC CHIP 0.001uF 10% 50V
R217	1-216-833-11	METAL CHIP	10K	5%	1/10W	C107	1-164-936-11 CERAMIC CHIP 680PF 10% 50V
R218	1-216-849-11	METAL CHIP	220K	5%	1/10W	C113	1-100-581-81 CERAMIC CHIP 0.0047uF 10% 50V
R220	1-216-849-11	METAL CHIP	220K	5%	1/10W	C114	1-100-581-81 CERAMIC CHIP 0.0047uF 10% 50V
R222	1-216-295-91	SHORT CHIP	0			C115	1-164-943-81 CERAMIC CHIP 0.01uF 10% 16V
R223	1-216-821-11	METAL CHIP	1K	5%	1/10W	C116	1-125-777-11 CERAMIC CHIP 0.1uF 10% 10V
R225	1-216-814-11	METAL CHIP	270	5%	1/10W	C117	1-164-937-11 CERAMIC CHIP 0.001uF 10% 50V
R227	1-216-838-11	METAL CHIP	27K	5%	1/10W	C120	1-125-777-11 CERAMIC CHIP 0.1uF 10% 10V
R228	1-216-833-11	METAL CHIP	10K	5%	1/10W	C121	1-164-939-11 CERAMIC CHIP 0.0022uF 10% 50V
R229	1-216-827-11	METAL CHIP	3.3K	5%	1/10W	C122	1-164-939-11 CERAMIC CHIP 0.0022uF 10% 50V
R230	1-216-830-11	METAL CHIP	5.6K	5%	1/10W	C124	1-125-777-11 CERAMIC CHIP 0.1uF 10% 10V
R231	1-216-825-11	METAL CHIP	2.2K	5%	1/10W	C125	1-114-130-11 CERAMIC CHIP 1uF 10% 6.3V
R232	1-216-864-11	SHORT CHIP	0			C127	1-119-923-11 CERAMIC CHIP 0.047uF 10% 10V
R233	1-216-845-11	METAL CHIP	100K	5%	1/10W	C128	1-125-777-11 CERAMIC CHIP 0.1uF 10% 10V
R235	1-216-864-11	SHORT CHIP	0			C129	1-114-130-11 CERAMIC CHIP 1uF 10% 6.3V
R236	1-216-833-11	METAL CHIP	10K	5%	1/10W	C130	1-127-760-11 CERAMIC CHIP 4.7uF 10% 6.3V
R237	1-216-833-11	METAL CHIP	10K	5%	1/10W	C131	1-137-987-81 CERAMIC CHIP 0.068uF 10% 10V
R238	1-216-833-11	METAL CHIP	10K	5%	1/10W	C133	1-125-777-11 CERAMIC CHIP 0.1uF 10% 10V
R239	1-216-825-11	METAL CHIP	2.2K	5%	1/10W	C134	1-125-777-11 CERAMIC CHIP 0.1uF 10% 10V
R240	1-216-825-11	METAL CHIP	2.2K	5%	1/10W	C135	1-164-943-81 CERAMIC CHIP 0.01uF 10% 16V
R241	1-216-827-11	METAL CHIP	3.3K	5%	1/10W	C136	1-125-777-11 CERAMIC CHIP 0.1uF 10% 10V
R242	1-216-825-11	METAL CHIP	2.2K	5%	1/10W	C137	1-164-942-11 CERAMIC CHIP 0.0068uF 10% 16V
R243	1-216-833-11	METAL CHIP	10K	5%	1/10W	C142	1-100-966-91 CERAMIC CHIP 10uF 20% 10V
R244	1-216-825-11	METAL CHIP	2.2K	5%	1/10W	C143	1-100-966-91 CERAMIC CHIP 10uF 20% 10V
R245	1-216-827-11	METAL CHIP	3.3K	5%	1/10W	C144	1-164-943-81 CERAMIC CHIP 0.01uF 10% 16V
R246	1-216-830-11	METAL CHIP	5.6K	5%	1/10W	C145	1-164-943-81 CERAMIC CHIP 0.01uF 10% 16V
R250	1-216-805-11	METAL CHIP	47	5%	1/10W	C146	1-100-966-91 CERAMIC CHIP 10uF 20% 10V
R251	1-216-805-11	METAL CHIP	47	5%	1/10W	C149	1-164-943-81 CERAMIC CHIP 0.01uF 10% 16V
R252	1-216-805-11	METAL CHIP	47	5%	1/10W	C152	1-164-937-11 CERAMIC CHIP 0.001uF 10% 50V
R259	1-216-821-11	METAL CHIP	1K	5%	1/10W	C153	1-124-779-00 ELECT CHIP 10uF 20% 16V
R260	1-216-864-11	SHORT CHIP	0			C154	1-114-130-11 CERAMIC CHIP 1uF 10% 6.3V
R261	1-216-814-11	METAL CHIP	270	5%	1/10W	C157	1-164-943-81 CERAMIC CHIP 0.01uF 10% 16V
R262	1-216-864-11	SHORT CHIP	0			C158	1-164-943-81 CERAMIC CHIP 0.01uF 10% 16V
		< SWITCH >				C162	1-114-130-11 CERAMIC CHIP 1uF 10% 6.3V
S201	1-786-726-11	SWITCH, TACTILE (REC STOP)				C163	1-126-210-21 ELECT CHIP 220uF 20% 4V
S202	1-786-726-11	SWITCH, TACTILE (INPUT)				C164	1-164-937-11 CERAMIC CHIP 0.001uF 10% 50V
S203	1-786-726-11	SWITCH, TACTILE (REC)				C165	1-164-858-11 CERAMIC CHIP 22PF 5% 50V
S204	1-786-726-11	SWITCH, TACTILE (PROGRAM+)				C166	1-164-858-11 CERAMIC CHIP 22PF 5% 50V
S205	1-786-726-11	SWITCH, TACTILE (PROGRAM-)				C169	1-125-777-11 CERAMIC CHIP 0.1uF 10% 10V
						C170	1-164-866-11 CERAMIC CHIP 47PF 5% 50V
						C171	1-125-777-11 CERAMIC CHIP 0.1uF 10% 10V

RD-C

Ref. No.	Part No.	Description	Remarks	Ref. No.	Part No.	Description	Remarks
C172	1-164-866-11	CERAMIC CHIP	47PF 5% 50V	C1024	1-126-209-11	ELECT CHIP	100uF 20% 4V
C173	1-164-866-11	CERAMIC CHIP	47PF 5% 50V	C1025	1-114-130-11	CERAMIC CHIP	1uF 10% 6.3V
C174	1-164-866-11	CERAMIC CHIP	47PF 5% 50V	C1026	1-164-937-11	CERAMIC CHIP	0.001uF 10% 50V
C176	1-164-858-11	CERAMIC CHIP	22PF 5% 50V	C1027	1-125-777-11	CERAMIC CHIP	0.1uF 10% 10V
C177	1-164-858-11	CERAMIC CHIP	22PF 5% 50V	C1028	1-125-777-11	CERAMIC CHIP	0.1uF 10% 10V
C180	1-100-966-91	CERAMIC CHIP	10uF 20% 10V	C1029	1-125-777-11	CERAMIC CHIP	0.1uF 10% 10V
C181	1-127-760-11	CERAMIC CHIP	4.7uF 10% 6.3V	C1030	1-125-777-11	CERAMIC CHIP	0.1uF 10% 10V
C182	1-100-966-91	CERAMIC CHIP	10uF 20% 10V	C1031	1-125-777-11	CERAMIC CHIP	0.1uF 10% 10V
C187	1-164-943-81	CERAMIC CHIP	0.01uF 10% 16V	C1032	1-125-777-11	CERAMIC CHIP	0.1uF 10% 10V
C188	1-164-943-81	CERAMIC CHIP	0.01uF 10% 16V	C1033	1-125-777-11	CERAMIC CHIP	0.1uF 10% 10V
C189	1-164-937-11	CERAMIC CHIP	0.001uF 10% 50V	C1034	1-125-777-11	CERAMIC CHIP	0.1uF 10% 10V
C194	1-127-760-11	CERAMIC CHIP	4.7uF 10% 6.3V	C1035	1-125-777-11	CERAMIC CHIP	0.1uF 10% 10V
C197	1-125-777-11	CERAMIC CHIP	0.1uF 10% 10V	C1036	1-126-209-11	ELECT CHIP	100uF 20% 4V
C280	1-114-130-11	CERAMIC CHIP	1uF 10% 6.3V	C1037	1-114-130-11	CERAMIC CHIP	1uF 10% 6.3V
C281	1-114-130-11	CERAMIC CHIP	1uF 10% 6.3V	C1038	1-164-937-11	CERAMIC CHIP	0.001uF 10% 50V
C282	1-114-130-11	CERAMIC CHIP	1uF 10% 6.3V	C1039	1-126-209-11	ELECT CHIP	100uF 20% 4V
C283	1-114-130-11	CERAMIC CHIP	1uF 10% 6.3V	C1040	1-114-130-11	CERAMIC CHIP	1uF 10% 6.3V
C284	1-114-130-11	CERAMIC CHIP	1uF 10% 6.3V	C1041	1-164-937-11	CERAMIC CHIP	0.001uF 10% 50V
C285	1-114-130-11	CERAMIC CHIP	1uF 10% 6.3V	C1044	1-164-840-11	CERAMIC CHIP	1PF 0.25PF 50V
C286	1-100-966-91	CERAMIC CHIP	10uF 20% 10V	C1045	1-164-840-11	CERAMIC CHIP	1PF 0.25PF 50V
C287	1-114-130-11	CERAMIC CHIP	1uF 10% 6.3V	C1047	1-125-777-11	CERAMIC CHIP	0.1uF 10% 10V
C289	1-164-937-11	CERAMIC CHIP	0.001uF 10% 50V	C1048	1-114-130-11	CERAMIC CHIP	1uF 10% 6.3V
C291	1-164-937-11	CERAMIC CHIP	0.001uF 10% 50V	C1049	1-164-937-11	CERAMIC CHIP	0.001uF 10% 50V
C502	1-114-419-21	CERAMIC CHIP	10uF 10% 16V	C1050	1-126-209-11	ELECT CHIP	100uF 20% 4V
C503	1-162-962-11	CERAMIC CHIP	470PF 10% 50V	C1051	1-100-966-91	CERAMIC CHIP	10uF 20% 10V
C504	1-125-777-11	CERAMIC CHIP	0.1uF 10% 10V	C1052	1-114-130-11	CERAMIC CHIP	1uF 10% 6.3V
C505	1-100-566-91	CERAMIC CHIP	0.1uF 10% 25V	C1053	1-164-937-11	CERAMIC CHIP	0.001uF 10% 50V
C508	1-164-937-11	CERAMIC CHIP	0.001uF 10% 50V	C1056	1-114-130-11	CERAMIC CHIP	1uF 10% 6.3V
C509	1-164-862-11	CERAMIC CHIP	33PF 5% 50V	C1058	1-164-943-81	CERAMIC CHIP	0.01uF 10% 16V
C510	1-164-870-11	CERAMIC CHIP	68PF 5% 50V	C1059	1-114-130-11	CERAMIC CHIP	1uF 10% 6.3V
C511	1-127-573-11	CERAMIC CHIP	1uF 10% 16V	C1061	1-164-937-11	CERAMIC CHIP	0.001uF 10% 50V
C512	1-164-360-11	CERAMIC CHIP	0.1uF 10% 16V	C1062	1-114-130-11	CERAMIC CHIP	1uF 10% 6.3V
C513	1-164-360-11	CERAMIC CHIP	0.1uF 10% 16V	C1064	1-164-937-11	CERAMIC CHIP	0.001uF 10% 50V
C514	1-100-566-91	CERAMIC CHIP	0.1uF 10% 25V	C1065	1-164-937-11	CERAMIC CHIP	0.001uF 10% 50V
C515	1-100-566-91	CERAMIC CHIP	0.1uF 10% 25V	C1066	1-114-130-11	CERAMIC CHIP	1uF 10% 6.3V
C516	1-125-777-11	CERAMIC CHIP	0.1uF 10% 10V	C1068	1-164-937-11	CERAMIC CHIP	0.001uF 10% 50V
C532	1-125-777-11	CERAMIC CHIP	0.1uF 10% 10V	C1101	1-164-937-11	CERAMIC CHIP	0.001uF 10% 50V
C1001	1-125-777-11	CERAMIC CHIP	0.1uF 10% 10V	C1102	1-114-130-11	CERAMIC CHIP	1uF 10% 6.3V
C1002	1-125-777-11	CERAMIC CHIP	0.1uF 10% 10V	C1104	1-114-130-11	CERAMIC CHIP	1uF 10% 6.3V
C1003	1-126-209-11	ELECT CHIP	100uF 20% 4V	C1113	1-114-130-11	CERAMIC CHIP	1uF 10% 6.3V
C1004	1-114-130-11	CERAMIC CHIP	1uF 10% 6.3V	C1202	1-114-130-11	CERAMIC CHIP	1uF 10% 6.3V
C1005	1-164-937-11	CERAMIC CHIP	0.001uF 10% 50V	C1204	1-114-130-11	CERAMIC CHIP	1uF 10% 6.3V
C1006	1-114-130-11	CERAMIC CHIP	1uF 10% 6.3V	C1205	1-164-943-81	CERAMIC CHIP	0.01uF 10% 16V
C1007	1-126-210-21	ELECT CHIP	220uF 20% 4V	C1206	1-164-943-81	CERAMIC CHIP	0.01uF 10% 16V
C1008	1-114-130-11	CERAMIC CHIP	1uF 10% 6.3V	C1207	1-164-937-11	CERAMIC CHIP	0.001uF 10% 50V
C1009	1-126-210-21	ELECT CHIP	220uF 20% 4V	C1208	1-114-130-11	CERAMIC CHIP	1uF 10% 6.3V
C1010	1-114-130-11	CERAMIC CHIP	1uF 10% 6.3V	C1209	1-164-937-11	CERAMIC CHIP	0.001uF 10% 50V
C1011	1-164-937-11	CERAMIC CHIP	0.001uF 10% 50V	C1210	1-164-937-11	CERAMIC CHIP	0.001uF 10% 50V
C1012	1-126-209-11	ELECT CHIP	100uF 20% 4V	C1215	1-126-209-11	ELECT CHIP	100uF 20% 4V
C1013	1-114-130-11	CERAMIC CHIP	1uF 10% 6.3V	C1216	1-114-130-11	CERAMIC CHIP	1uF 10% 6.3V
C1014	1-164-937-11	CERAMIC CHIP	0.001uF 10% 50V	C1217	1-114-130-11	CERAMIC CHIP	1uF 10% 6.3V
C1015	1-125-777-11	CERAMIC CHIP	0.1uF 10% 10V	C1218	1-114-130-11	CERAMIC CHIP	1uF 10% 6.3V
C1016	1-125-777-11	CERAMIC CHIP	0.1uF 10% 10V	C1219	1-114-130-11	CERAMIC CHIP	1uF 10% 6.3V
C1017	1-125-777-11	CERAMIC CHIP	0.1uF 10% 10V	C1220	1-114-130-11	CERAMIC CHIP	1uF 10% 6.3V
C1018	1-125-777-11	CERAMIC CHIP	0.1uF 10% 10V	C1221	1-114-130-11	CERAMIC CHIP	1uF 10% 6.3V
C1019	1-125-777-11	CERAMIC CHIP	0.1uF 10% 10V	C1223	1-114-130-11	CERAMIC CHIP	1uF 10% 6.3V
C1020	1-124-779-00	ELECT CHIP	10uF 20% 16V	C1224	1-164-943-81	CERAMIC CHIP	0.01uF 10% 16V
C1021	1-100-966-91	CERAMIC CHIP	10uF 20% 10V	C1225	1-164-943-81	CERAMIC CHIP	0.01uF 10% 16V
C1022	1-114-130-11	CERAMIC CHIP	1uF 10% 6.3V	C1226	1-164-937-11	CERAMIC CHIP	0.001uF 10% 50V
C1023	1-164-937-11	CERAMIC CHIP	0.001uF 10% 50V	C1227	1-114-130-11	CERAMIC CHIP	1uF 10% 6.3V

RD-066

Ref. No.	Part No.	Description	Remarks	Ref. No.	Part No.	Description	Remarks
C1228	1-164-937-11	CERAMIC CHIP	0.001uF 10% 50V	C3322	1-164-845-11	CERAMIC CHIP	5PF 0.25PF 50V
C1229	1-164-937-11	CERAMIC CHIP	0.001uF 10% 50V	C3323	1-164-870-11	CERAMIC CHIP	68PF 5% 50V
C1231	1-100-966-91	CERAMIC CHIP	10uF 20% 10V	C3324	1-164-854-11	CERAMIC CHIP	15PF 5% 50V
C1235	1-100-966-91	CERAMIC CHIP	10uF 20% 10V	C3325	1-100-966-91	CERAMIC CHIP	10uF 20% 10V
C1236	1-126-209-11	ELECT CHIP	100uF 20% 4V	C3329	1-164-845-11	CERAMIC CHIP	5PF 0.25PF 50V
C1301	1-125-889-11	CERAMIC CHIP	2.2uF 10% 10V	C3330	1-164-870-11	CERAMIC CHIP	68PF 5% 50V
C1304	1-126-205-11	ELECT CHIP	47uF 20% 6.3V	C3331	1-164-854-11	CERAMIC CHIP	15PF 5% 50V
C1316	1-100-966-91	CERAMIC CHIP	10uF 20% 10V	C3332	1-114-130-11	CERAMIC CHIP	1uF 10% 6.3V
C1401	1-164-943-81	CERAMIC CHIP	0.01uF 10% 16V	C3333	1-114-130-11	CERAMIC CHIP	1uF 10% 6.3V
C1421	1-114-130-11	CERAMIC CHIP	1uF 10% 6.3V	C3334	1-114-130-11	CERAMIC CHIP	1uF 10% 6.3V
C1801	1-114-130-11	CERAMIC CHIP	1uF 10% 6.3V	C3335	1-114-130-11	CERAMIC CHIP	1uF 10% 6.3V
C1802	1-125-889-11	CERAMIC CHIP	2.2uF 10% 10V	C3339	1-114-130-11	CERAMIC CHIP	1uF 10% 6.3V
C1803	1-164-882-11	CERAMIC CHIP	220PF 5% 16V	C3340	1-114-130-11	CERAMIC CHIP	1uF 10% 6.3V
C1804	1-164-934-11	CERAMIC CHIP	330PF 10% 50V	C3341	1-114-130-11	CERAMIC CHIP	1uF 10% 6.3V
C1805	1-119-923-11	CERAMIC CHIP	0.047uF 10% 10V	C3342	1-114-130-11	CERAMIC CHIP	1uF 10% 6.3V
C1811	1-114-130-11	CERAMIC CHIP	1uF 10% 6.3V	C3701	1-164-943-81	CERAMIC CHIP	0.01uF 10% 16V
C1812	1-125-889-11	CERAMIC CHIP	2.2uF 10% 10V	C3703	1-114-130-11	CERAMIC CHIP	1uF 10% 6.3V
C1813	1-164-874-11	CERAMIC CHIP	100PF 5% 50V	C3704	1-100-966-91	CERAMIC CHIP	10uF 20% 10V
C1814	1-164-878-11	CERAMIC CHIP	150PF 5% 50V	C3705	1-164-937-11	CERAMIC CHIP	0.001uF 10% 50V
C1815	1-119-923-11	CERAMIC CHIP	0.047uF 10% 10V	C3706	1-164-937-11	CERAMIC CHIP	0.001uF 10% 50V
C2305	1-114-130-11	CERAMIC CHIP	1uF 10% 6.3V	C3707	1-114-130-11	CERAMIC CHIP	1uF 10% 6.3V
C2501	1-114-130-11	CERAMIC CHIP	1uF 10% 6.3V	C3738	1-114-130-11	CERAMIC CHIP	1uF 10% 6.3V
C2502	1-114-130-11	CERAMIC CHIP	1uF 10% 6.3V	C3801	1-114-130-11	CERAMIC CHIP	1uF 10% 6.3V
C2503	1-114-130-11	CERAMIC CHIP	1uF 10% 6.3V	C3802	1-114-130-11	CERAMIC CHIP	1uF 10% 6.3V
C2504	1-114-130-11	CERAMIC CHIP	1uF 10% 6.3V	C3803	1-114-130-11	CERAMIC CHIP	1uF 10% 6.3V
C2505	1-114-130-11	CERAMIC CHIP	1uF 10% 6.3V	C3804	1-114-130-11	CERAMIC CHIP	1uF 10% 6.3V
C2506	1-100-966-91	CERAMIC CHIP	10uF 20% 10V	C4501	1-114-130-11	CERAMIC CHIP	1uF 10% 6.3V
C3103	1-117-681-11	ELECT CHIP	100uF 20% 16V	C4502	1-114-130-11	CERAMIC CHIP	1uF 10% 6.3V
C3104	1-114-130-11	CERAMIC CHIP	1uF 10% 6.3V	C4503	1-114-130-11	CERAMIC CHIP	1uF 10% 6.3V
C3106	1-164-937-11	CERAMIC CHIP	0.001uF 10% 50V	C4505	1-114-130-11	CERAMIC CHIP	1uF 10% 6.3V
C3107	1-114-130-11	CERAMIC CHIP	1uF 10% 6.3V	C4507	1-117-681-11	ELECT CHIP	100uF 20% 16V
C3108	1-126-210-21	ELECT CHIP	220uF 20% 4V	C4508	1-126-210-21	ELECT CHIP	220uF 20% 4V
C3201	1-126-916-11	ELECT	1000uF 20% 6.3V	C4509	1-126-210-21	ELECT CHIP	220uF 20% 4V
C3203	1-164-937-11	CERAMIC CHIP	0.001uF 10% 50V	C4511	1-127-760-11	CERAMIC CHIP	4.7uF 10% 6.3V
C3204	1-164-934-11	CERAMIC CHIP	330PF 10% 50V	C4513	1-127-760-11	CERAMIC CHIP	4.7uF 10% 6.3V
C3207	1-126-205-11	ELECT CHIP	47uF 20% 6.3V	C4515	1-126-205-11	ELECT CHIP	47uF 20% 6.3V
C3211	1-117-681-11	ELECT CHIP	100uF 20% 16V	C4516	1-124-779-00	ELECT CHIP	10uF 20% 16V
* C3213	1-100-741-81	CERAMIC CHIP	560PF 5% 50V	C4522	1-114-130-11	CERAMIC CHIP	1uF 10% 6.3V
* C3214	1-100-741-81	CERAMIC CHIP	560PF 5% 50V	C4524	1-127-760-11	CERAMIC CHIP	4.7uF 10% 6.3V
C3215	1-164-872-11	CERAMIC CHIP	82PF 5% 50V	C4525	1-127-760-11	CERAMIC CHIP	4.7uF 10% 6.3V
C3216	1-164-872-11	CERAMIC CHIP	82PF 5% 50V	C4526	1-218-967-11	RES-CHIP	15K 5% 1/16W
C3219	1-126-210-21	ELECT CHIP	220uF 20% 4V	C4531	1-114-130-11	CERAMIC CHIP	1uF 10% 6.3V
C3220	1-114-130-11	CERAMIC CHIP	1uF 10% 6.3V	C4532	1-164-943-81	CERAMIC CHIP	0.01uF 10% 16V
C3301	1-162-912-11	CERAMIC CHIP	7PF 0.5PF 50V	C4533	1-114-130-11	CERAMIC CHIP	1uF 10% 6.3V
C3302	1-162-912-11	CERAMIC CHIP	7PF 0.5PF 50V	C4534	1-100-966-91	CERAMIC CHIP	10uF 20% 10V
C3303	1-164-845-11	CERAMIC CHIP	5PF 0.25PF 50V	C4535	1-164-937-11	CERAMIC CHIP	0.001uF 10% 50V
C3304	1-164-870-11	CERAMIC CHIP	68PF 5% 50V	C4536	1-164-937-11	CERAMIC CHIP	0.001uF 10% 50V
C3305	1-164-854-11	CERAMIC CHIP	15PF 5% 50V	C4537	1-164-937-11	CERAMIC CHIP	0.001uF 10% 50V
C3307	1-100-966-91	CERAMIC CHIP	10uF 20% 10V	C4539	1-164-937-11	CERAMIC CHIP	0.001uF 10% 50V
C3311	1-162-912-11	CERAMIC CHIP	7PF 0.5PF 50V	C4540	1-164-937-11	CERAMIC CHIP	0.001uF 10% 50V
C3312	1-162-912-11	CERAMIC CHIP	7PF 0.5PF 50V	C4541	1-114-130-11	CERAMIC CHIP	1uF 10% 6.3V
C3313	1-100-966-91	CERAMIC CHIP	10uF 20% 10V	C4542	1-125-889-11	CERAMIC CHIP	2.2uF 10% 10V
C3314	1-162-912-11	CERAMIC CHIP	7PF 0.5PF 50V	C4543	1-164-937-11	CERAMIC CHIP	0.001uF 10% 50V
C3315	1-162-912-11	CERAMIC CHIP	7PF 0.5PF 50V	C4553	1-162-964-11	CERAMIC CHIP	0.001uF 10% 50V
C3316	1-164-845-11	CERAMIC CHIP	5PF 0.25PF 50V	C4555	1-127-760-11	CERAMIC CHIP	4.7uF 10% 6.3V
C3317	1-164-870-11	CERAMIC CHIP	68PF 5% 50V	C4556	1-127-760-11	CERAMIC CHIP	4.7uF 10% 6.3V
C3318	1-164-854-11	CERAMIC CHIP	15PF 5% 50V	C4557	1-164-943-81	CERAMIC CHIP	0.01uF 10% 16V
C3319	1-100-966-91	CERAMIC CHIP	10uF 20% 10V	C4558	1-117-681-11	ELECT CHIP	100uF 20% 16V
C3320	1-162-912-11	CERAMIC CHIP	7PF 0.5PF 50V	C4559	1-117-681-11	ELECT CHIP	100uF 20% 16V
C3321	1-162-912-11	CERAMIC CHIP	7PF 0.5PF 50V	C4562	1-114-130-11	CERAMIC CHIP	1uF 10% 6.3V

Ref. No.	Part No.	Description	Remarks	Ref. No.	Part No.	Description	Remarks
C4563	1-114-130-11	CERAMIC CHIP	1uF 10% 6.3V	C5640	1-164-854-11	CERAMIC CHIP	15PF 5% 50V
C4567	1-114-130-11	CERAMIC CHIP	1uF 10% 6.3V	C5641	1-164-854-11	CERAMIC CHIP	15PF 5% 50V
C4570	1-114-130-11	CERAMIC CHIP	1uF 10% 6.3V	C5702	1-114-130-11	CERAMIC CHIP	1uF 10% 6.3V
C4571	1-127-760-11	CERAMIC CHIP	4.7uF 10% 6.3V	C5705	1-164-937-11	CERAMIC CHIP	0.001uF 10% 50V
C4572	1-126-210-21	ELECT CHIP	220uF 20% 4V	C5706	1-164-937-11	CERAMIC CHIP	0.001uF 10% 50V
C4573	1-127-760-11	CERAMIC CHIP	4.7uF 10% 6.3V	C5707	1-114-130-11	CERAMIC CHIP	1uF 10% 6.3V
C5105	1-114-130-11	CERAMIC CHIP	1uF 10% 6.3V	C5708	1-126-210-21	ELECT CHIP	220uF 20% 4V
C5106	1-114-130-11	CERAMIC CHIP	1uF 10% 6.3V	C5709	1-165-908-11	CERAMIC CHIP	1uF 10% 16V
C5107	1-114-130-11	CERAMIC CHIP	1uF 10% 6.3V	C5801	1-114-130-11	CERAMIC CHIP	1uF 10% 6.3V
C5108	1-114-130-11	CERAMIC CHIP	1uF 10% 6.3V	C5802	1-164-937-11	CERAMIC CHIP	0.001uF 10% 50V
C5110	1-114-130-11	CERAMIC CHIP	1uF 10% 6.3V	C5803	1-114-130-11	CERAMIC CHIP	1uF 10% 6.3V
C5111	1-114-130-11	CERAMIC CHIP	1uF 10% 6.3V	C5804	1-164-937-11	CERAMIC CHIP	0.001uF 10% 50V
C5112	1-114-130-11	CERAMIC CHIP	1uF 10% 6.3V	C5805	1-114-130-11	CERAMIC CHIP	1uF 10% 6.3V
C5115	1-114-130-11	CERAMIC CHIP	1uF 10% 6.3V	C5806	1-114-130-11	CERAMIC CHIP	1uF 10% 6.3V
C5116	1-114-130-11	CERAMIC CHIP	1uF 10% 6.3V	C5807	1-114-130-11	CERAMIC CHIP	1uF 10% 6.3V
C5117	1-164-852-11	CERAMIC CHIP	12PF 5% 50V	C5808	1-114-130-11	CERAMIC CHIP	1uF 10% 6.3V
C5118	1-164-852-11	CERAMIC CHIP	12PF 5% 50V	C5809	1-126-210-21	ELECT CHIP	220uF 20% 4V
C5119	1-100-574-81	CERAMIC CHIP	270PF 10% 50V	C5814	1-164-360-11	CERAMIC CHIP	0.1uF 10% 16V
C5120	1-114-130-11	CERAMIC CHIP	1uF 10% 6.3V	C5815	1-100-566-91	CERAMIC CHIP	0.1uF 10% 25V
C5121	1-126-209-11	ELECT CHIP	100uF 20% 4V	C5816	1-100-566-91	CERAMIC CHIP	0.1uF 10% 25V
C5122	1-126-209-11	ELECT CHIP	100uF 20% 4V	C5817	1-100-566-91	CERAMIC CHIP	0.1uF 10% 25V
C5123	1-114-130-11	CERAMIC CHIP	1uF 10% 6.3V	C5818	1-100-566-91	CERAMIC CHIP	0.1uF 10% 25V
C5132	1-114-130-11	CERAMIC CHIP	1uF 10% 6.3V	C5819	1-164-937-11	CERAMIC CHIP	0.001uF 10% 50V
C5133	1-114-130-11	CERAMIC CHIP	1uF 10% 6.3V	C5820	1-114-130-11	CERAMIC CHIP	1uF 10% 6.3V
C5205	1-114-130-11	CERAMIC CHIP	1uF 10% 6.3V	C5821	1-164-937-11	CERAMIC CHIP	0.001uF 10% 50V
C5210	1-117-681-11	ELECT CHIP	100uF 20% 16V	C5822	1-164-937-11	CERAMIC CHIP	0.001uF 10% 50V
C5211	1-164-937-11	CERAMIC CHIP	0.001uF 10% 50V	C5830	1-164-937-11	CERAMIC CHIP	0.001uF 10% 50V
C5212	1-114-419-21	CERAMIC CHIP	10uF 10% 16V	C5831	1-114-130-11	CERAMIC CHIP	1uF 10% 6.3V
C5213	1-114-130-11	CERAMIC CHIP	1uF 10% 6.3V	C5832	1-164-937-11	CERAMIC CHIP	0.001uF 10% 50V
C5216	1-164-937-11	CERAMIC CHIP	0.001uF 10% 50V	C5833	1-114-130-11	CERAMIC CHIP	1uF 10% 6.3V
C5217	1-114-419-21	CERAMIC CHIP	10uF 10% 16V			< CONNECTOR >	
C5219	1-164-937-11	CERAMIC CHIP	0.001uF 10% 50V	CN201	1-816-643-51	FFC/FPC CONNECTOR (LIF) 10P	
C5223	1-164-937-11	CERAMIC CHIP	0.001uF 10% 50V	CN501	1-766-767-51	CONNECTOR, FPC 12P	
C5601	1-114-130-11	CERAMIC CHIP	1uF 10% 6.3V	CN601	1-784-857-51	CONNECTOR, FFC (LIF (NON-ZIF)) 5P	
C5602	1-114-130-11	CERAMIC CHIP	1uF 10% 6.3V	CN1402	1-764-177-11	PIN, CONNECTOR (SMD) (1.5MM) 7P	
C5604	1-164-943-81	CERAMIC CHIP	0.01uF 10% 16V	* CN4501	1-564-729-11	PIN, CONNECTOR (SMALL TYPE) 13P	
C5605	1-164-943-81	CERAMIC CHIP	0.01uF 10% 16V	CN5101	1-573-806-21	PIN, CONNECTOR (1.5MM) (SMD) 6P	
C5606	1-164-943-81	CERAMIC CHIP	0.01uF 10% 16V	CN5201	1-766-382-21	PIN, CONNECTOR (1.5MM) (SMD) 10P	
C5607	1-164-943-81	CERAMIC CHIP	0.01uF 10% 16V	CN5604	1-819-876-21	CONNECTOR, SMTA SMT (7P)	
C5608	1-164-943-81	CERAMIC CHIP	0.01uF 10% 16V			< DIODE >	
C5609	1-164-943-81	CERAMIC CHIP	0.01uF 10% 16V	D1401	8-719-081-42	DIODE UMZ6.8N-T106	
C5610	1-164-943-81	CERAMIC CHIP	0.01uF 10% 16V	D3201	8-719-941-86	DIODE DAN202U	
C5611	1-164-943-81	CERAMIC CHIP	0.01uF 10% 16V	D4521	8-719-058-24	DIODE RB501V-40TE-17	
C5612	1-125-777-11	CERAMIC CHIP	0.1uF 10% 10V	D4552	8-719-058-24	DIODE RB501V-40TE-17	
C5613	1-126-209-11	ELECT CHIP	100uF 20% 4V	D4571	8-719-058-24	DIODE RB501V-40TE-17	
C5614	1-164-943-81	CERAMIC CHIP	0.01uF 10% 16V			< IC >	
C5615	1-125-777-11	CERAMIC CHIP	0.1uF 10% 10V	IC201	6-712-191-01	IC W9864G6GH-6-ER10 (T&R)	
C5616	1-125-777-11	CERAMIC CHIP	0.1uF 10% 10V	IC1102	6-708-914-01	IC S29GL128N90TFR20	
C5617	1-164-943-81	CERAMIC CHIP	0.01uF 10% 16V	IC1201	6-708-812-01	IC HYB25DC512160CE-6	
C5622	1-164-943-81	CERAMIC CHIP	0.01uF 10% 16V	IC1221	6-708-812-01	IC HYB25DC512160CE-6	
C5624	1-164-943-81	CERAMIC CHIP	0.01uF 10% 16V	IC3101	6-710-840-01	IC AK5358AET-E2	
C5625	1-164-943-81	CERAMIC CHIP	0.01uF 10% 16V	IC3202	8-759-100-96	IC uPC4558G2	
C5626	1-164-943-81	CERAMIC CHIP	0.01uF 10% 16V	IC3701	8-759-679-05	IC TC7WH34FU (TE12R)	
C5627	1-164-943-81	CERAMIC CHIP	0.01uF 10% 16V	IC3702	6-706-487-01	IC TC7SH08FU (T5RSOYJF)	
C5628	1-164-943-81	CERAMIC CHIP	0.01uF 10% 16V	IC3707	6-707-472-01	IC PS13813UL	
C5629	1-164-943-81	CERAMIC CHIP	0.01uF 10% 16V	IC4541	6-702-362-01	IC MM1563DFBE	
C5630	1-164-943-81	CERAMIC CHIP	0.01uF 10% 16V				
C5631	1-164-943-81	CERAMIC CHIP	0.01uF 10% 16V				
C5632	1-164-943-81	CERAMIC CHIP	0.01uF 10% 16V				

RD-066

Ref. No.	Part No.	Description	Remarks	Ref. No.	Part No.	Description	Remarks
IC4552	6-711-050-01	IC S-1170B50UC-OUJTFG				< RESISTOR >	
IC4561	6-711-116-01	IC NJM2878F3-05 (TE2)		R104	1-218-966-11	RES-CHIP 12K 5%	1/16W
IC4562	6-711-237-01	IC NJM2878F3-33 (TE2)		R105	1-218-990-81	SHORT CHIP 0	
IC4571	6-711-047-01	IC S-1132B18-u5T1G		R107	1-218-973-11	RES-CHIP 47K 5%	1/16W
IC5103	6-706-365-01	IC uPD72852AGB-8EU-A		R108	1-218-963-11	RES-CHIP 6.8K 5%	1/16W
				R109	1-208-702-11	METAL CHIP 6.2K 0.5%	1/16W
IC5203	6-706-487-01	IC TC7SH08FU (T5RSOYJF)					
IC5602	6-806-103-01	IC 88SA8040-TBC1C000		R110	1-218-953-11	RES-CHIP 1K 5%	1/16W
IC5701	6-707-858-01	IC TC74VHC00FT (EKJ)		R111	1-218-985-11	RES-CHIP 470K 5%	1/16W
IC5804	8-759-680-49	IC TC7WB125FK (TE85R)		R112	1-218-985-11	RES-CHIP 470K 5%	1/16W
		< JACK >		R114	1-218-971-11	RES-CHIP 33K 5%	1/16W
				R115	1-218-990-81	SHORT CHIP 0	
JA5801	1-821-450-12	CONNECTOR, HDMI					
		< COIL >		R116	1-218-959-11	RES-CHIP 3.3K 5%	1/16W
				R117	1-218-939-11	RES-CHIP 68 5%	1/16W
L105	1-469-967-21	INDUCTOR 10uH		R119	1-218-990-81	SHORT CHIP 0	
L1005	1-412-008-31	INDUCTOR 15uH		R124	1-218-990-81	SHORT CHIP 0	
L1801	1-412-958-21	INDUCTOR 39uH		R128	1-218-990-81	SHORT CHIP 0	
L1811	1-412-953-11	INDUCTOR 15uH					
L3301	1-412-954-11	INDUCTOR 18uH		R129	1-218-990-81	SHORT CHIP 0	
				R130	1-218-945-11	RES-CHIP 220 5%	1/16W
L3302	1-412-951-11	INDUCTOR 10uH		R131	1-218-945-11	RES-CHIP 220 5%	1/16W
L3303	1-412-954-11	INDUCTOR 18uH		R132	1-218-945-11	RES-CHIP 220 5%	1/16W
L3304	1-412-951-11	INDUCTOR 10uH		R133	1-218-945-11	RES-CHIP 220 5%	1/16W
L3305	1-412-954-11	INDUCTOR 18uH					
L3306	1-412-951-11	INDUCTOR 10uH		R134	1-218-973-11	RES-CHIP 47K 5%	1/16W
				R135	1-218-945-11	RES-CHIP 220 5%	1/16W
L3307	1-412-954-11	INDUCTOR 18uH		R136	1-218-945-11	RES-CHIP 220 5%	1/16W
L3308	1-412-951-11	INDUCTOR 10uH		R137	1-218-945-11	RES-CHIP 220 5%	1/16W
L4551	1-469-967-21	INDUCTOR 10uH		R138	1-218-973-11	RES-CHIP 47K 5%	1/16W
L5101	1-414-235-22	INDUCTOR, FERRITE BEAD					
L5201	1-456-799-11	COIL, COMMON MODE CHOKE		R139	1-218-945-11	RES-CHIP 220 5%	1/16W
				R165	1-218-952-11	RES-CHIP 820 5%	1/16W
L5202	1-456-799-11	COIL, COMMON MODE CHOKE		R166	1-218-952-11	RES-CHIP 820 5%	1/16W
L5701	1-400-330-21	INDUCTOR, FERRITE BEAD (1608)		R167	1-218-952-11	RES-CHIP 820 5%	1/16W
L5801	1-457-374-21	COMMON MODE CHOKE COIL		R168	1-218-990-81	SHORT CHIP 0	
L5802	1-457-374-21	COMMON MODE CHOKE COIL					
L5803	1-457-374-21	COMMON MODE CHOKE COIL		R170	1-218-959-11	RES-CHIP 3.3K 5%	1/16W
				R171	1-218-959-11	RES-CHIP 3.3K 5%	1/16W
L5804	1-457-374-21	COMMON MODE CHOKE COIL		R172	1-218-959-11	RES-CHIP 3.3K 5%	1/16W
				R174	1-218-863-11	METAL CHIP 4.7K 0.5%	1/10W
		< TRANSISTOR >		R192	1-216-833-11	METAL CHIP 10K 5%	1/10W
Q1801	8-729-026-53	TRANSISTOR 2SA1576A-T106-QR		R193	1-218-990-81	SHORT CHIP 0	
Q1811	8-729-026-53	TRANSISTOR 2SA1576A-T106-QR		R202	1-218-935-11	RES-CHIP 33 5%	1/16W
Q2501	8-729-026-53	TRANSISTOR 2SA1576A-T106-QR		R203	1-218-935-11	RES-CHIP 33 5%	1/16W
Q2502	8-729-026-53	TRANSISTOR 2SA1576A-T106-QR		R204	1-242-963-21	RES, NETWORK 33 (1005X4)	
Q2503	8-729-026-53	TRANSISTOR 2SA1576A-T106-QR		R205	1-242-963-21	RES, NETWORK 33 (1005X4)	
Q2504	8-729-026-53	TRANSISTOR 2SA1576A-T106-QR		R206	1-242-963-21	RES, NETWORK 33 (1005X4)	
Q2505	8-729-026-53	TRANSISTOR 2SA1576A-T106-QR		R210	1-218-935-11	RES-CHIP 33 5%	1/16W
Q3301	8-729-026-53	TRANSISTOR 2SA1576A-T106-QR		R211	1-218-990-81	SHORT CHIP 0	
Q3302	8-729-905-35	TRANSISTOR 2SC4081-R		R219	1-234-377-21	RES, NETWORK 4.7K (1005X4)	
Q3303	8-729-026-53	TRANSISTOR 2SA1576A-T106-QR		R220	1-234-377-21	RES, NETWORK 4.7K (1005X4)	
Q3304	8-729-905-35	TRANSISTOR 2SC4081-R		R221	1-218-973-11	RES-CHIP 47K 5%	1/16W
Q3305	8-729-026-53	TRANSISTOR 2SA1576A-T106-QR		R222	1-218-973-11	RES-CHIP 47K 5%	1/16W
Q3306	8-729-905-35	TRANSISTOR 2SC4081-R		R223	1-218-933-11	RES-CHIP 22 5%	1/16W
Q3307	8-729-026-53	TRANSISTOR 2SA1576A-T106-QR		R230	1-218-990-81	SHORT CHIP 0	
Q3308	8-729-905-35	TRANSISTOR 2SC4081-R		R233	1-218-990-81	SHORT CHIP 0	
Q5701	8-729-905-35	TRANSISTOR 2SC4081-R		R234	1-218-990-81	SHORT CHIP 0	
Q5801	6-550-376-01	TRANSISTOR UMX1N-TN		R248	1-218-965-11	RES-CHIP 10K 5%	1/16W
Q5804	8-729-029-06	TRANSISTOR DTC124EUA-T106		R252	1-218-965-11	RES-CHIP 10K 5%	1/16W
Q5805	8-729-026-53	TRANSISTOR 2SA1576A-T106-QR		R253	1-218-965-11	RES-CHIP 10K 5%	1/16W
Q5808	8-729-031-34	TRANSISTOR 2SK2034		R256	1-218-965-11	RES-CHIP 10K 5%	1/16W
Q5809	8-729-029-06	TRANSISTOR DTC124EUA-T106					
Q5811	8-729-028-83	TRANSISTOR DTA124EUA-T106					

Ref. No.	Part No.	Description			Remarks	Ref. No.	Part No.	Description			
R257	1-218-965-11	RES-CHIP	10K	5%	1/16W	R1069	1-218-973-11	RES-CHIP	47K	5%	1/16W
R271	1-216-295-91	SHORT CHIP	0			R1071	1-218-965-11	RES-CHIP	10K	5%	1/16W
R273	1-216-295-91	SHORT CHIP	0			R1103	1-218-990-81	SHORT CHIP	0		
R274	1-216-295-91	SHORT CHIP	0			R1107	1-218-990-81	SHORT CHIP	0		
R281	1-218-990-81	SHORT CHIP	0			R1110	1-218-990-81	SHORT CHIP	0		
R301	1-218-973-11	RES-CHIP	47K	5%	1/16W	R1111	1-218-977-11	RES-CHIP	100K	5%	1/16W
R306	1-218-957-11	RES-CHIP	2.2K	5%	1/16W	R1132	1-218-937-11	RES-CHIP	47	5%	1/16W
R307	1-218-957-11	RES-CHIP	2.2K	5%	1/16W	R1153	1-218-961-11	RES-CHIP	4.7K	5%	1/16W
R310	1-218-953-11	RES-CHIP	1K	5%	1/16W	R1161	1-218-961-11	RES-CHIP	4.7K	5%	1/16W
R311	1-218-953-11	RES-CHIP	1K	5%	1/16W	R1163	1-218-961-11	RES-CHIP	4.7K	5%	1/16W
R312	1-218-953-11	RES-CHIP	1K	5%	1/16W	R1165	1-218-961-11	RES-CHIP	4.7K	5%	1/16W
R313	1-218-973-11	RES-CHIP	47K	5%	1/16W	R1181	1-218-965-11	RES-CHIP	10K	5%	1/16W
R314	1-218-953-11	RES-CHIP	1K	5%	1/16W	R1182	1-218-965-11	RES-CHIP	10K	5%	1/16W
R317	1-242-963-21	RES, NETWORK	33 (1005X4)			R1191	1-218-961-11	RES-CHIP	4.7K	5%	1/16W
R318	1-242-963-21	RES, NETWORK	33 (1005X4)			R1195	1-218-961-11	RES-CHIP	4.7K	5%	1/16W
R319	1-242-963-21	RES, NETWORK	33 (1005X4)			R1197	1-218-961-11	RES-CHIP	4.7K	5%	1/16W
R320	1-242-963-21	RES, NETWORK	33 (1005X4)			R1199	1-218-965-11	RES-CHIP	10K	5%	1/16W
R503	1-218-953-11	RES-CHIP	1K	5%	1/16W	R1205	1-218-965-11	RES-CHIP	10K	5%	1/16W
R504	1-218-953-11	RES-CHIP	1K	5%	1/16W	R1219	1-218-990-81	SHORT CHIP	0		
R505	1-218-966-11	RES-CHIP	12K	5%	1/16W	R1240	1-218-933-11	RES-CHIP	22	5%	1/16W
R506	1-218-953-11	RES-CHIP	1K	5%	1/16W	R1241	1-234-400-21	CONDUCTOR, NETWORK	(1005X4)		
R507	1-218-953-11	RES-CHIP	1K	5%	1/16W	R1242	1-234-400-21	CONDUCTOR, NETWORK	(1005X4)		
R510	1-217-907-11	RES-CHIP	1.8	5%	1/10W	R1243	1-218-990-81	SHORT CHIP	0		
R511	1-217-907-11	RES-CHIP	1.8	5%	1/10W	R1244	1-218-935-11	RES-CHIP	33	5%	1/16W
R515	1-218-971-11	RES-CHIP	33K	5%	1/16W	R1245	1-234-370-21	RES, NETWORK	22 (1005X4)		
R516	1-218-966-11	RES-CHIP	12K	5%	1/16W	R1246	1-234-370-21	RES, NETWORK	22 (1005X4)		
R601	1-218-965-11	RES-CHIP	10K	5%	1/16W	R1247	1-218-933-11	RES-CHIP	22	5%	1/16W
R602	1-218-965-11	RES-CHIP	10K	5%	1/16W	R1248	1-234-400-21	CONDUCTOR, NETWORK	(1005X4)		
R603	1-218-953-11	RES-CHIP	1K	5%	1/16W	R1249	1-234-400-21	CONDUCTOR, NETWORK	(1005X4)		
R604	1-218-953-11	RES-CHIP	1K	5%	1/16W	R1250	1-218-990-81	SHORT CHIP	0		
R1001	1-218-965-11	RES-CHIP	10K	5%	1/16W	R1251	1-218-935-11	RES-CHIP	33	5%	1/16W
R1003	1-218-843-11	METAL CHIP	680	0.5%	1/10W	R1252	1-218-935-11	RES-CHIP	33	5%	1/16W
R1004	1-218-839-11	METAL CHIP	470	0.5%	1/10W	R1255	1-234-370-21	RES, NETWORK	22 (1005X4)		
R1005	1-218-967-11	RES-CHIP	15K	5%	1/16W	R1256	1-234-370-21	RES, NETWORK	22 (1005X4)		
R1006	1-218-967-11	RES-CHIP	15K	5%	1/16W	R1257	1-218-933-11	RES-CHIP	22	5%	1/16W
R1013	1-218-965-11	RES-CHIP	10K	5%	1/16W	R1258	1-218-933-11	RES-CHIP	22	5%	1/16W
R1016	1-218-965-11	RES-CHIP	10K	5%	1/16W	R1260	1-218-933-11	RES-CHIP	22	5%	1/16W
R1017	1-218-990-81	SHORT CHIP	0			R1261	1-234-400-21	CONDUCTOR, NETWORK	(1005X4)		
R1018	1-218-990-81	SHORT CHIP	0			R1262	1-234-400-21	CONDUCTOR, NETWORK	(1005X4)		
R1019	1-218-990-81	SHORT CHIP	0			R1263	1-218-990-81	SHORT CHIP	0		
R1021	1-218-965-11	RES-CHIP	10K	5%	1/16W	R1264	1-218-935-11	RES-CHIP	33	5%	1/16W
R1027	1-218-965-11	RES-CHIP	10K	5%	1/16W	R1265	1-234-370-21	RES, NETWORK	22 (1005X4)		
R1028	1-218-965-11	RES-CHIP	10K	5%	1/16W	R1266	1-234-370-21	RES, NETWORK	22 (1005X4)		
R1029	1-218-940-11	RES-CHIP	82	5%	1/16W	R1267	1-218-933-11	RES-CHIP	22	5%	1/16W
R1030	1-218-937-11	RES-CHIP	47	5%	1/16W	R1268	1-234-400-21	CONDUCTOR, NETWORK	(1005X4)		
R1031	1-218-943-11	RES-CHIP	150	5%	1/16W	R1269	1-234-400-21	CONDUCTOR, NETWORK	(1005X4)		
R1032	1-234-378-21	RES, NETWORK	10K (1005X4)			R1270	1-218-990-81	SHORT CHIP	0		
R1033	1-234-378-21	RES, NETWORK	10K (1005X4)			R1271	1-218-935-11	RES-CHIP	33	5%	1/16W
R1034	1-234-378-21	RES, NETWORK	10K (1005X4)			R1272	1-218-935-11	RES-CHIP	33	5%	1/16W
R1035	1-234-378-21	RES, NETWORK	10K (1005X4)			R1273	1-234-370-21	RES, NETWORK	22 (1005X4)		
R1036	1-211-984-11	METAL CHIP	43	0.5%	1/10W	R1274	1-234-370-21	RES, NETWORK	22 (1005X4)		
R1037	1-218-823-11	METAL CHIP	100	0.5%	1/10W	R1275	1-218-933-11	RES-CHIP	22	5%	1/16W
R1039	1-211-984-11	METAL CHIP	43	0.5%	1/10W	R1276	1-218-933-11	RES-CHIP	22	5%	1/16W
R1040	1-218-823-11	METAL CHIP	100	0.5%	1/10W	R1277	1-218-990-81	SHORT CHIP	0		
R1060	1-218-990-81	SHORT CHIP	0			R1278	1-218-990-81	SHORT CHIP	0		
R1061	1-218-990-81	SHORT CHIP	0			R1279	1-218-940-11	RES-CHIP	82	5%	1/16W
R1062	1-218-990-81	SHORT CHIP	0			R1281	1-234-371-21	RES, NETWORK	47 (1005X4)		
R1063	1-218-990-81	SHORT CHIP	0			R1282	1-234-371-21	RES, NETWORK	47 (1005X4)		
R1067	1-218-973-11	RES-CHIP	47K	5%	1/16W	R1283	1-234-371-21	RES, NETWORK	47 (1005X4)		
R1068	1-218-973-11	RES-CHIP	47K	5%	1/16W	R1284	1-218-937-11	RES-CHIP	47	5%	1/16W

RD-066

Ref. No.	Part No.	Description			Remarks	Ref. No.	Part No.	Description			Remarks
R1285	1-218-937-11	RES-CHIP	47	5%	1/16W	R3102	1-218-990-81	SHORT CHIP	0		
R1286	1-218-937-11	RES-CHIP	47	5%	1/16W	R3103	1-218-990-81	SHORT CHIP	0		
R1287	1-234-371-21	RES, NETWORK	47 (1005X4)			R3104	1-218-990-81	SHORT CHIP	0		
R1288	1-218-933-11	RES-CHIP	22	5%	1/16W	R3105	1-218-989-11	RES-CHIP	1M	5%	1/16W
R1289	1-218-933-11	RES-CHIP	22	5%	1/16W	R3106	1-218-965-11	RES-CHIP	10K	5%	1/16W
R1301	1-218-839-11	METAL CHIP	470	0.5%	1/10W	R3107	1-218-937-11	RES-CHIP	47	5%	1/16W
R1302	1-218-847-11	METAL CHIP	1K	0.5%	1/10W	R3108	1-218-937-11	RES-CHIP	47	5%	1/16W
R1303	1-218-847-11	METAL CHIP	1K	0.5%	1/10W	R3109	1-218-937-11	RES-CHIP	47	5%	1/16W
R1305	1-218-990-81	SHORT CHIP	0			R3111	1-218-990-81	SHORT CHIP	0		
R1312	1-218-847-11	METAL CHIP	1K	0.5%	1/10W	R3113	1-218-965-11	RES-CHIP	10K	5%	1/16W
R1313	1-218-847-11	METAL CHIP	1K	0.5%	1/10W	R3201	1-218-937-11	RES-CHIP	47	5%	1/16W
R1315	1-216-864-11	SHORT CHIP	0			R3202	1-218-937-11	RES-CHIP	47	5%	1/16W
R1401	1-218-933-11	RES-CHIP	22	5%	1/16W	R3203	1-218-937-11	RES-CHIP	47	5%	1/16W
R1402	1-218-933-11	RES-CHIP	22	5%	1/16W	R3204	1-218-990-81	SHORT CHIP	0		
R1403	1-218-933-11	RES-CHIP	22	5%	1/16W	R3206	1-218-937-11	RES-CHIP	47	5%	1/16W
R1404	1-218-933-11	RES-CHIP	22	5%	1/16W	R3207	1-218-937-11	RES-CHIP	47	5%	1/16W
R1405	1-218-933-11	RES-CHIP	22	5%	1/16W	R3208	1-218-937-11	RES-CHIP	47	5%	1/16W
R1406	1-218-933-11	RES-CHIP	22	5%	1/16W	R3209	1-218-977-11	RES-CHIP	100K	5%	1/16W
R1407	1-218-933-11	RES-CHIP	22	5%	1/16W	R3210	1-218-849-11	METAL CHIP	1.2K	0.5%	1/10W
R1411	1-234-378-21	RES, NETWORK	10K (1005X4)			R3211	1-218-871-11	METAL CHIP	10K	0.5%	1/10W
R1412	1-218-965-11	RES-CHIP	10K	5%	1/16W	R3213	1-218-951-11	RES-CHIP	680	5%	1/16W
R1413	1-218-973-11	RES-CHIP	47K	5%	1/16W	R3214	1-218-963-11	RES-CHIP	6.8K	5%	1/16W
R1414	1-218-933-11	RES-CHIP	22	5%	1/16W	R3215	1-218-969-11	RES-CHIP	22K	5%	1/16W
R1415	1-218-933-11	RES-CHIP	22	5%	1/16W	R3216	1-218-849-11	METAL CHIP	1.2K	0.5%	1/10W
R1416	1-218-933-11	RES-CHIP	22	5%	1/16W	R3217	1-218-871-11	METAL CHIP	10K	0.5%	1/10W
R1421	1-218-965-11	RES-CHIP	10K	5%	1/16W	R3218	1-218-879-11	METAL CHIP	22K	0.5%	1/10W
R1422	1-218-965-11	RES-CHIP	10K	5%	1/16W	R3219	1-218-963-11	RES-CHIP	6.8K	5%	1/16W
R1802	1-218-945-11	RES-CHIP	220	5%	1/16W	R3220	1-218-941-81	RES-CHIP	100	5%	1/16W
R1803	1-218-947-11	RES-CHIP	330	5%	1/16W	R3221	1-218-941-81	RES-CHIP	100	5%	1/16W
R1804	1-218-935-11	RES-CHIP	33	5%	1/16W	R3222	1-218-963-11	RES-CHIP	6.8K	5%	1/16W
R1812	1-218-945-11	RES-CHIP	220	5%	1/16W	R3223	1-218-879-11	METAL CHIP	22K	0.5%	1/10W
R1813	1-218-947-11	RES-CHIP	330	5%	1/16W	R3224	1-218-941-81	RES-CHIP	100	5%	1/16W
R1814	1-218-935-11	RES-CHIP	33	5%	1/16W	R3227	1-218-941-81	RES-CHIP	100	5%	1/16W
R2301	1-218-959-11	RES-CHIP	3.3K	5%	1/16W	R3228	1-218-965-11	RES-CHIP	10K	5%	1/16W
R2302	1-218-990-81	SHORT CHIP	0			R3229	1-218-965-11	RES-CHIP	10K	5%	1/16W
R2304	1-218-990-81	SHORT CHIP	0			R3230	1-216-295-91	SHORT CHIP	0		
R2316	1-218-965-11	RES-CHIP	10K	5%	1/16W	R3232	1-218-990-81	SHORT CHIP	0		
R2501	1-218-951-11	RES-CHIP	680	5%	1/16W	R3233	1-218-990-81	SHORT CHIP	0		
R2502	1-218-827-11	METAL CHIP	150	0.5%	1/10W	R3234	1-218-990-81	SHORT CHIP	0		
R2504	1-218-951-11	RES-CHIP	680	5%	1/16W	R3301	1-218-937-11	RES-CHIP	47	5%	1/16W
R2505	1-218-827-11	METAL CHIP	150	0.5%	1/10W	R3302	1-218-937-11	RES-CHIP	47	5%	1/16W
R2506	1-216-864-11	SHORT CHIP	0			R3305	1-218-947-11	RES-CHIP	330	5%	1/16W
R2507	1-218-951-11	RES-CHIP	680	5%	1/16W	R3306	1-218-839-11	METAL CHIP	470	0.5%	1/10W
R2508	1-218-827-11	METAL CHIP	150	0.5%	1/10W	R3307	1-208-905-11	METAL CHIP	5.6K	0.5%	1/16W
R2510	1-218-951-11	RES-CHIP	680	5%	1/16W	R3308	1-218-929-11	RES-CHIP	10	5%	1/16W
R2511	1-218-827-11	METAL CHIP	150	0.5%	1/10W	R3309	1-218-951-11	RES-CHIP	680	5%	1/16W
R2513	1-218-951-11	RES-CHIP	680	5%	1/16W	R3312	1-218-839-11	METAL CHIP	470	0.5%	1/10W
R2514	1-218-827-11	METAL CHIP	150	0.5%	1/10W	R3313	1-208-905-11	METAL CHIP	5.6K	0.5%	1/16W
R3002	1-218-939-11	RES-CHIP	68	5%	1/16W	R3314	1-218-929-11	RES-CHIP	10	5%	1/16W
R3003	1-218-940-11	RES-CHIP	82	5%	1/16W	R3315	1-218-951-11	RES-CHIP	680	5%	1/16W
R3004	1-218-940-11	RES-CHIP	82	5%	1/16W	R3317	1-218-947-11	RES-CHIP	330	5%	1/16W
R3005	1-234-378-21	RES, NETWORK	10K (1005X4)			R3318	1-218-839-11	METAL CHIP	470	0.5%	1/10W
R3006	1-218-990-81	SHORT CHIP	0			R3319	1-218-929-11	RES-CHIP	10	5%	1/16W
R3007	1-218-990-81	SHORT CHIP	0			R3320	1-218-951-11	RES-CHIP	680	5%	1/16W
R3008	1-218-990-81	SHORT CHIP	0			R3322	1-218-947-11	RES-CHIP	330	5%	1/16W
R3009	1-218-990-81	SHORT CHIP	0			R3323	1-218-839-11	METAL CHIP	470	0.5%	1/10W
R3010	1-218-990-81	SHORT CHIP	0			R3324	1-208-905-11	METAL CHIP	5.6K	0.5%	1/16W
R3011	1-218-990-81	SHORT CHIP	0			R3325	1-208-905-11	METAL CHIP	5.6K	0.5%	1/16W
R3012	1-218-990-81	SHORT CHIP	0			R3326	1-218-929-11	RES-CHIP	10	5%	1/16W
R3101	1-218-990-81	SHORT CHIP	0			R3327	1-218-951-11	RES-CHIP	680	5%	1/16W

Ref. No.	Part No.	Description			Remarks	Ref. No.	Part No.	Description			
R3336	1-218-937-11	RES-CHIP	47	5%	1/16W	R4554	1-216-295-91	SHORT CHIP	0		
R3341	1-218-937-11	RES-CHIP	47	5%	1/16W	R4556	1-216-295-91	SHORT CHIP	0		
R3344	1-218-947-11	RES-CHIP	330	5%	1/16W	R4558	1-218-969-11	RES-CHIP	22K	5%	1/16W
R3703	1-218-941-81	RES-CHIP	100	5%	1/16W	R4559	1-218-990-81	SHORT CHIP	0		
R3704	1-218-941-81	RES-CHIP	100	5%	1/16W	R4573	1-218-990-81	SHORT CHIP	0		
R3705	1-218-941-81	RES-CHIP	100	5%	1/16W	R4574	1-216-864-11	SHORT CHIP	0		
R3708	1-218-965-11	RES-CHIP	10K	5%	1/16W	R4575	1-216-864-11	SHORT CHIP	0		
R3715	1-218-990-81	SHORT CHIP	0			R4582	1-216-295-91	SHORT CHIP	0		
R3716	1-218-935-11	RES-CHIP	33	5%	1/16W	* R4701	1-234-714-11	RES, NETWORK	56 (1005X4)		
R3720	1-218-990-81	SHORT CHIP	0			* R4702	1-234-714-11	RES, NETWORK	56 (1005X4)		
R3737	1-218-965-11	RES-CHIP	10K	5%	1/16W	R4703	1-218-929-11	RES-CHIP	10	5%	1/16W
R3738	1-218-965-11	RES-CHIP	10K	5%	1/16W	R4704	1-218-941-81	RES-CHIP	100	5%	1/16W
R3808	1-218-941-81	RES-CHIP	100	5%	1/16W	R4705	1-218-941-81	RES-CHIP	100	5%	1/16W
R3810	1-242-963-21	RES, NETWORK	33 (1005X4)			R4706	1-218-935-11	RES-CHIP	33	5%	1/16W
R3811	1-242-963-21	RES, NETWORK	33 (1005X4)			R4707	1-218-965-11	RES-CHIP	10K	5%	1/16W
R3812	1-242-963-21	RES, NETWORK	33 (1005X4)			R4708	1-234-378-21	RES, NETWORK	10K (1005X4)		
R3813	1-242-963-21	RES, NETWORK	33 (1005X4)			R4709	1-234-378-21	RES, NETWORK	10K (1005X4)		
R3814	1-218-933-11	RES-CHIP	22	5%	1/16W	R4710	1-218-965-11	RES-CHIP	10K	5%	1/16W
R3816	1-218-940-11	RES-CHIP	82	5%	1/16W	R4711	1-218-965-11	RES-CHIP	10K	5%	1/16W
R3817	1-218-940-11	RES-CHIP	82	5%	1/16W	R4712	1-218-965-11	RES-CHIP	10K	5%	1/16W
R3818	1-218-933-11	RES-CHIP	22	5%	1/16W	R4713	1-218-965-11	RES-CHIP	10K	5%	1/16W
R3820	1-218-940-11	RES-CHIP	82	5%	1/16W	R4714	1-218-990-81	SHORT CHIP	0		
R3821	1-218-933-11	RES-CHIP	22	5%	1/16W	R4721	1-234-400-21	CONDUCTOR, NETWORK	(1005X4)		
R3823	1-218-940-11	RES-CHIP	82	5%	1/16W	R4722	1-234-400-21	CONDUCTOR, NETWORK	(1005X4)		
R3824	1-242-962-21	RES, NETWORK	82 (1005X4)			R4723	1-218-990-81	SHORT CHIP	0		
R3828	1-234-380-21	RES, NETWORK	47K (1005X4)			R4724	1-218-990-81	SHORT CHIP	0		
R3829	1-234-380-21	RES, NETWORK	47K (1005X4)			R4725	1-218-990-81	SHORT CHIP	0		
R3830	1-234-380-21	RES, NETWORK	47K (1005X4)			R4726	1-218-990-81	SHORT CHIP	0		
R3831	1-234-380-21	RES, NETWORK	47K (1005X4)			R4727	1-218-965-11	RES-CHIP	10K	5%	1/16W
R3832	1-234-379-21	RES, NETWORK	22K (1005X4)			R4728	1-218-965-11	RES-CHIP	10K	5%	1/16W
R3833	1-234-379-21	RES, NETWORK	22K (1005X4)			R4729	1-218-990-81	SHORT CHIP	0		
R3835	1-218-935-11	RES-CHIP	33	5%	1/16W	R4731	1-218-961-11	RES-CHIP	4.7K	5%	1/16W
R3837	1-242-963-21	RES, NETWORK	33 (1005X4)			R4732	1-218-961-11	RES-CHIP	4.7K	5%	1/16W
R3838	1-242-963-21	RES, NETWORK	33 (1005X4)			R5101	1-234-381-11	RES, NETWORK	100K (1005X4)		
R3839	1-242-963-21	RES, NETWORK	33 (1005X4)			R5102	1-234-381-11	RES, NETWORK	100K (1005X4)		
R3840	1-242-963-21	RES, NETWORK	33 (1005X4)			R5103	1-218-977-11	RES-CHIP	100K	5%	1/16W
R3841	1-218-940-11	RES-CHIP	82	5%	1/16W	R5104	1-218-977-11	RES-CHIP	100K	5%	1/16W
R3842	1-218-962-11	RES-CHIP	5.6K	5%	1/16W	R5105	1-234-702-11	RES, NETWORK	68 (1005X4)		
R3843	1-218-933-11	RES-CHIP	22	5%	1/16W	R5106	1-234-702-11	RES, NETWORK	68 (1005X4)		
R3844	1-218-933-11	RES-CHIP	22	5%	1/16W	R5107	1-218-939-11	RES-CHIP	68	5%	1/16W
R3845	1-218-940-11	RES-CHIP	82	5%	1/16W	R5108	1-218-939-11	RES-CHIP	68	5%	1/16W
R3846	1-218-965-11	RES-CHIP	10K	5%	1/16W	R5109	1-218-937-11	RES-CHIP	47	5%	1/16W
R3847	1-218-933-11	RES-CHIP	22	5%	1/16W	R5110	1-218-965-11	RES-CHIP	10K	5%	1/16W
R3848	1-218-940-11	RES-CHIP	82	5%	1/16W	R5111	1-218-953-11	RES-CHIP	1K	5%	1/16W
R3849	1-218-965-11	RES-CHIP	10K	5%	1/16W	R5113	1-218-965-11	RES-CHIP	10K	5%	1/16W
R3850	1-218-935-11	RES-CHIP	33	5%	1/16W	R5114	1-218-965-11	RES-CHIP	10K	5%	1/16W
R3851	1-242-963-21	RES, NETWORK	33 (1005X4)			R5115	1-218-965-11	RES-CHIP	10K	5%	1/16W
R3857	1-218-990-81	SHORT CHIP	0			R5116	1-218-965-11	RES-CHIP	10K	5%	1/16W
R3862	1-218-990-81	SHORT CHIP	0			R5117	1-218-977-11	RES-CHIP	100K	5%	1/16W
R3871	1-218-969-11	RES-CHIP	22K	5%	1/16W	R5118	1-218-870-11	METAL CHIP	9.1K	0.5%	1/16W
R4501	1-216-295-91	SHORT CHIP	0			R5119	1-211-987-11	METAL CHIP	56	0.5%	1/16W
R4504	1-216-059-00	RES-CHIP	2.7K	5%	1/10W	R5120	1-211-987-11	METAL CHIP	56	0.5%	1/16W
R4505	1-216-059-00	RES-CHIP	2.7K	5%	1/10W	R5121	1-211-987-11	METAL CHIP	56	0.5%	1/16W
R4507	1-216-059-00	RES-CHIP	2.7K	5%	1/10W	R5122	1-211-987-11	METAL CHIP	56	0.5%	1/16W
R4511	1-218-990-81	SHORT CHIP	0			R5123	1-218-965-11	RES-CHIP	10K	5%	1/16W
R4521	1-218-963-11	RES-CHIP	6.8K	5%	1/16W	R5124	1-218-965-11	RES-CHIP	10K	5%	1/16W
R4531	1-218-990-81	SHORT CHIP	0			R5125	1-218-953-11	RES-CHIP	1K	5%	1/16W
R4541	1-218-990-81	SHORT CHIP	0			R5127	1-218-965-11	RES-CHIP	10K	5%	1/16W
R4552	1-216-295-91	SHORT CHIP	0			R5129	1-218-940-11	RES-CHIP	82	5%	1/16W
R4553	1-216-295-91	SHORT CHIP	0			R5130	1-218-990-81	SHORT CHIP	0		

RD-066

Ref. No.	Part No.	Description			Remarks	Ref. No.	Part No.	Description			Remarks
R5131	1-218-864-11	METAL CHIP	5.1K	0.5%	1/10W	R5701	1-218-949-11	RES-CHIP	470	5%	1/16W
R5132	1-218-990-81	SHORT CHIP	0			R5702	1-218-949-11	RES-CHIP	470	5%	1/16W
R5133	1-218-990-81	SHORT CHIP	0			R5703	1-218-951-11	RES-CHIP	680	5%	1/16W
R5134	1-218-990-81	SHORT CHIP	0			R5704	1-218-943-11	RES-CHIP	150	5%	1/16W
R5135	1-218-990-81	SHORT CHIP	0			R5705	1-216-864-11	SHORT CHIP	0		
R5140	1-218-965-11	RES-CHIP	10K	5%	1/16W	R5706	1-211-990-11	METAL CHIP	75	0.5%	1/10W
R5141	1-218-990-81	SHORT CHIP	0			R5707	1-218-977-11	RES-CHIP	100K	5%	1/16W
R5201	1-218-990-81	SHORT CHIP	0			R5803	1-164-360-11	CERAMIC CHIP	0.1uF		16V
R5202	1-218-990-81	SHORT CHIP	0			R5804	1-218-973-11	RES-CHIP	47K	5%	1/16W
R5205	1-218-939-11	RES-CHIP	68	5%	1/16W	R5805	1-218-961-11	RES-CHIP	4.7K	5%	1/16W
R5207	1-218-990-81	SHORT CHIP	0			R5806	1-218-953-11	RES-CHIP	1K	5%	1/16W
R5212	1-218-990-81	SHORT CHIP	0			R5807	1-218-962-11	RES-CHIP	5.6K	5%	1/16W
R5213	1-218-990-81	SHORT CHIP	0			R5808	1-218-961-11	RES-CHIP	4.7K	5%	1/16W
R5214	1-218-973-11	RES-CHIP	47K	5%	1/16W	R5809	1-218-958-11	RES-CHIP	2.7K	5%	1/16W
R5215	1-218-973-11	RES-CHIP	47K	5%	1/16W	R5812	1-218-961-11	RES-CHIP	4.7K	5%	1/16W
R5216	1-218-990-81	SHORT CHIP	0			R5813	1-218-958-11	RES-CHIP	2.7K	5%	1/16W
R5217	1-218-990-81	SHORT CHIP	0			R5814	1-218-961-11	RES-CHIP	4.7K	5%	1/16W
R5220	1-218-851-11	METAL CHIP	1.5K	0.5%	1/10W	R5815	1-218-958-11	RES-CHIP	2.7K	5%	1/16W
R5221	1-218-973-11	RES-CHIP	47K	5%	1/16W	R5817	1-218-958-11	RES-CHIP	2.7K	5%	1/16W
R5222	1-218-929-11	RES-CHIP	10	5%	1/16W	R5818	1-218-958-11	RES-CHIP	2.7K	5%	1/16W
R5445	1-216-295-91	SHORT CHIP	0			R5821	1-218-961-11	RES-CHIP	4.7K	5%	1/16W
R5606	1-218-940-11	RES-CHIP	82	5%	1/16W	R5822	1-218-961-11	RES-CHIP	4.7K	5%	1/16W
R5607	1-218-940-11	RES-CHIP	82	5%	1/16W	R5824	1-163-038-91	CERAMIC CHIP	0.1uF		25V
R5608	1-218-965-11	RES-CHIP	10K	5%	1/16W	R5825	1-234-370-21	RES, NETWORK	22 (1005X4)		
R5609	1-218-965-11	RES-CHIP	10K	5%	1/16W	R5826	1-234-370-21	RES, NETWORK	22 (1005X4)		
R5610	1-218-953-11	RES-CHIP	1K	5%	1/16W	R5827	1-234-370-21	RES, NETWORK	22 (1005X4)		
R5612	1-218-965-11	RES-CHIP	10K	5%	1/16W	R5828	1-234-370-21	RES, NETWORK	22 (1005X4)		
R5613	1-218-953-11	RES-CHIP	1K	5%	1/16W	R5829	1-218-938-11	RES-CHIP	56	5%	1/16W
R5614	1-218-953-11	RES-CHIP	1K	5%	1/16W	R5831	1-218-990-81	SHORT CHIP	0		
R5615	1-218-953-11	RES-CHIP	1K	5%	1/16W	R5833	1-218-933-11	RES-CHIP	22	5%	1/16W
R5617	1-218-953-11	RES-CHIP	1K	5%	1/16W	R5834	1-218-933-11	RES-CHIP	22	5%	1/16W
R5618	1-218-965-11	RES-CHIP	10K	5%	1/16W	R5836	1-218-965-11	RES-CHIP	10K	5%	1/16W
R5619	1-218-953-11	RES-CHIP	1K	5%	1/16W	R5837	1-218-990-81	SHORT CHIP	0		
R5622	1-218-940-11	RES-CHIP	82	5%	1/16W	R5838	1-218-935-11	RES-CHIP	33	5%	1/16W
R5623	1-218-940-11	RES-CHIP	82	5%	1/16W	R5839	1-218-949-11	RES-CHIP	470	5%	1/16W
R5624	1-218-940-11	RES-CHIP	82	5%	1/16W	R5842	1-218-947-11	RES-CHIP	330	5%	1/16W
R5626	1-218-933-11	RES-CHIP	22	5%	1/16W	R5843	1-218-947-11	RES-CHIP	330	5%	1/16W
R5627	1-218-940-11	RES-CHIP	82	5%	1/16W	R5844	1-218-947-11	RES-CHIP	330	5%	1/16W
R5628	1-218-933-11	RES-CHIP	22	5%	1/16W	R5845	1-218-947-11	RES-CHIP	330	5%	1/16W
R5629	1-218-940-11	RES-CHIP	82	5%	1/16W	R5846	1-218-961-11	RES-CHIP	4.7K	5%	1/16W
R5630	1-218-940-11	RES-CHIP	82	5%	1/16W	R5848	1-218-961-11	RES-CHIP	4.7K	5%	1/16W
R5631	1-218-933-11	RES-CHIP	22	5%	1/16W	R5852	1-218-965-11	RES-CHIP	10K	5%	1/16W
R5632	1-242-963-21	RES, NETWORK	33 (1005X4)			R5853	1-218-965-11	RES-CHIP	10K	5%	1/16W
R5638	1-242-963-21	RES, NETWORK	33 (1005X4)			R5854	1-218-965-11	RES-CHIP	10K	5%	1/16W
R5642	1-242-963-21	RES, NETWORK	33 (1005X4)			R5855	1-234-369-21	RES, NETWORK	10 (1005X4)		
R5646	1-242-963-21	RES, NETWORK	33 (1005X4)			R5856	1-218-965-11	RES-CHIP	10K	5%	1/16W
R5650	1-218-940-11	RES-CHIP	82	5%	1/16W	R5857	1-218-965-11	RES-CHIP	10K	5%	1/16W
R5651	1-218-873-11	METAL CHIP	12K	0.5%	1/10W	R5859	1-218-965-11	RES-CHIP	10K	5%	1/16W
R5652	1-218-941-81	RES-CHIP	100	5%	1/16W	R5861	1-218-965-11	RES-CHIP	10K	5%	1/16W
R5657	1-218-953-11	RES-CHIP	1K	5%	1/16W	R5862	1-218-961-11	RES-CHIP	4.7K	5%	1/16W
R5658	1-218-953-11	RES-CHIP	1K	5%	1/16W	R5863	1-218-951-11	RES-CHIP	680	5%	1/16W
R5659	1-218-953-11	RES-CHIP	1K	5%	1/16W	R5864	1-218-953-11	RES-CHIP	1K	5%	1/16W
R5661	1-218-953-11	RES-CHIP	1K	5%	1/16W	R5865	1-218-990-81	SHORT CHIP	0		
R5664	1-216-864-11	SHORT CHIP	0			R5867	1-218-950-11	RES-CHIP	560	5%	1/16W
R5672	1-216-864-11	SHORT CHIP	0			R5868	1-218-957-11	RES-CHIP	2.2K	5%	1/16W
R5688	1-218-989-11	RES-CHIP	1M	5%	1/16W	R5869	1-218-961-11	RES-CHIP	4.7K	5%	1/16W
R5689	1-218-953-11	RES-CHIP	1K	5%	1/16W	R5870	1-218-970-11	RES-CHIP	27K	5%	1/16W
R5690	1-218-990-81	SHORT CHIP	0			R5880	1-218-977-11	RES-CHIP	100K	5%	1/16W
R5692	1-218-990-81	SHORT CHIP	0			R6001	1-218-990-81	SHORT CHIP	0		
R5693	1-218-990-81	SHORT CHIP	0								

Ref. No.	Part No.	Description	Remarks	Ref. No.	Part No.	Description	Remarks
		< VIBRATOR >					
X5101	1-813-049-21	VIBRATOR, CRYSTAL (24.576MHz)					
X5201	1-795-904-21	OSCILLATOR, CRYSTAL (48MHz)					
X5502	1-813-052-21	VIBRATOR, CRYSTAL (25MHz)					

		ACCESSORIES					

	1-480-697-11	REMOTE COMMANDER (RMT-D250P)					
		(AT105/AT107/AT205)					
	1-480-701-11	REMOTE COMMANDER (RMT-D249P)					
		(AT100/AT200)					
△	1-575-131-82	CORD, POWER (AEP/RUS)					
	1-759-586-41	CONTROLLER, VIDEO (AV MOUSE)					
		(AT105/AT107/AT205)					
	1-769-451-21	CABLE, COAXIAL					
	1-696-593-11	CORD, CONNECTION					
△	1-827-269-12	CORD, POWER (UK)					
	1-834-488-11	CABLE, HDMI (1.5m) (AT-107)					
*	4-128-703-11	MANUAL, INSTRUCTION (ENGLISH) (UK)					
*	4-128-703-21	MANUAL, INSTRUCTION (FRENCH) (AEP1)					
*	4-128-703-31	MANUAL, INSTRUCTION (GERMAN) (AEP1)					
*	4-128-703-41	MANUAL, INSTRUCTION (ITALIAN) (AEP1)					
*	4-128-703-51	MANUAL, INSTRUCTION (DUTCH) (AEP1)					
*	4-128-703-61	MANUAL, INSTRUCTION (SPANISH) (AEP1)					
*	4-128-704-11	MANUAL, INSTRUCTION (PORTUGUESE)					
		(AEP2)					
*	4-128-704-21	MANUAL, INSTRUCTION (DANISH) (AEP2)					
*	4-128-704-31	MANUAL, INSTRUCTION (SWEDISH) (AEP2)					
*	4-128-704-41	MANUAL, INSTRUCTION (FINNISH) (AEP2)					
*	4-128-704-51	MANUAL, INSTRUCTION (RUSSIAN) (RUS)					

Note : The components identified by mark △ or dotted line with mark △ are critical for safety.
Replace only with part number specified.

Revision History

Ver.	Date	History	Contents	S.M. Rev. issued
1.0	2009.03	Official Release	—	—