

QT-CD77H/177H

A
 B
 C
 D
 E
 F
 G
 H

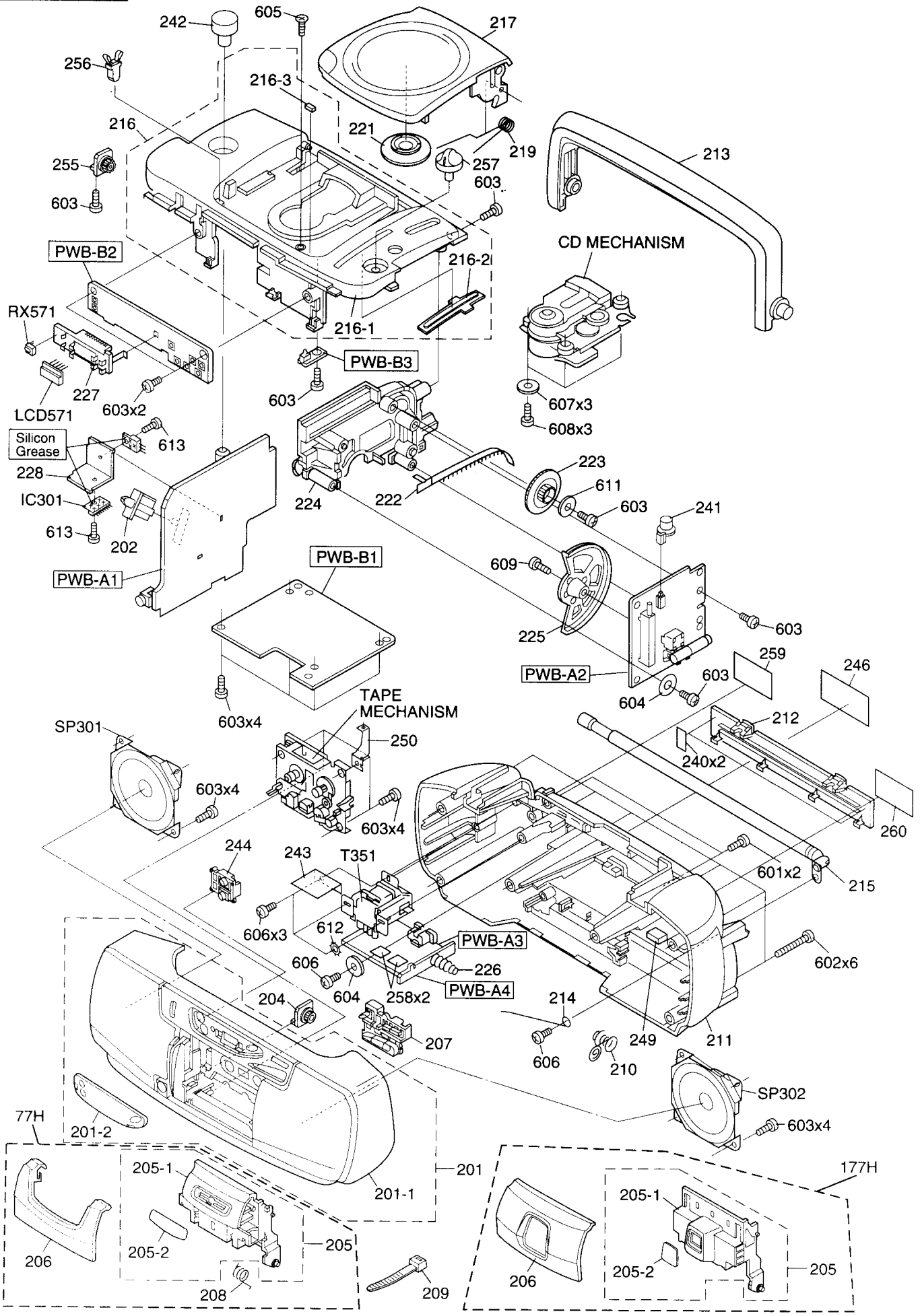


Figure 11 CABINET EXPLODED VIEW (1/2)