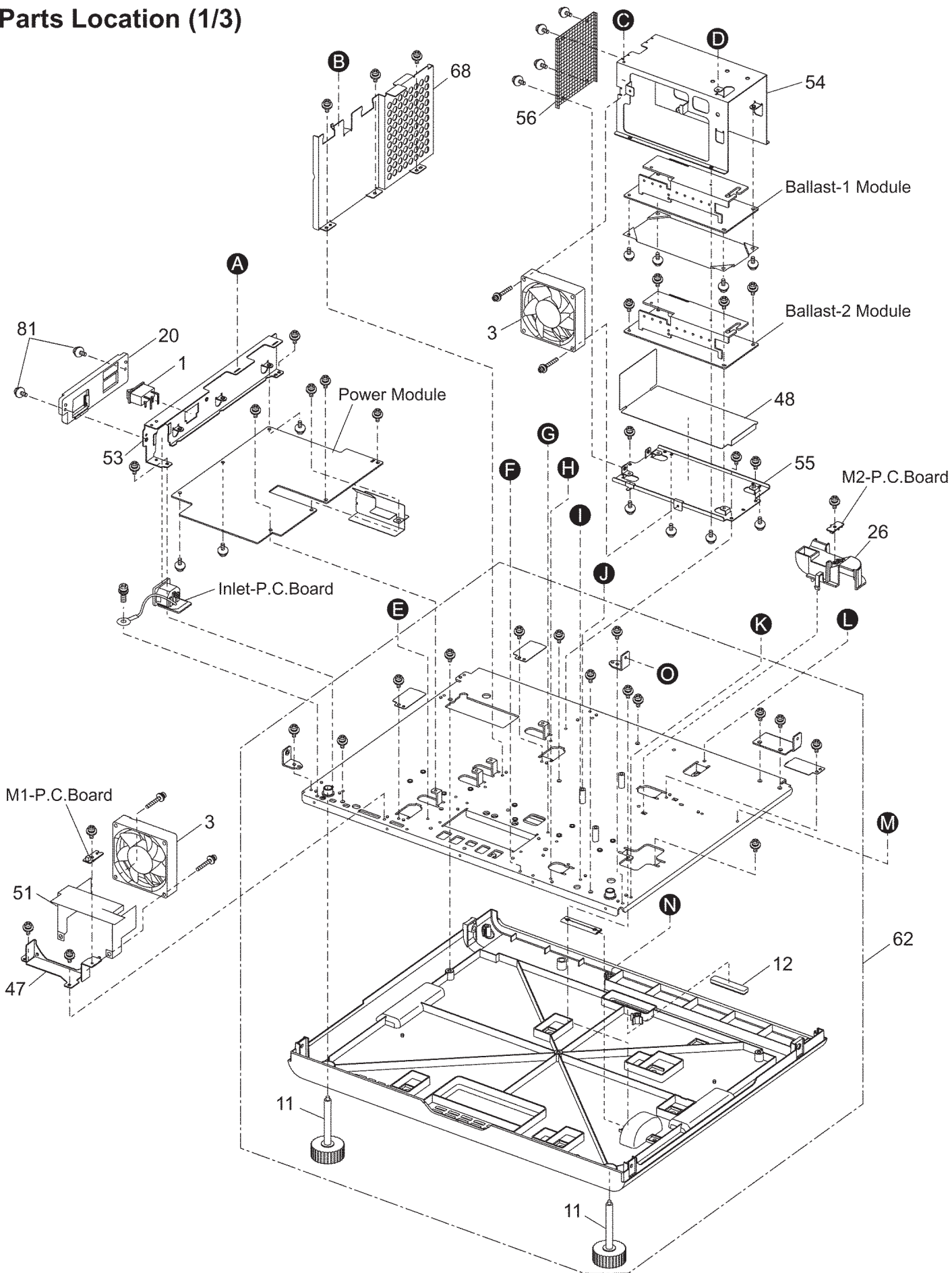
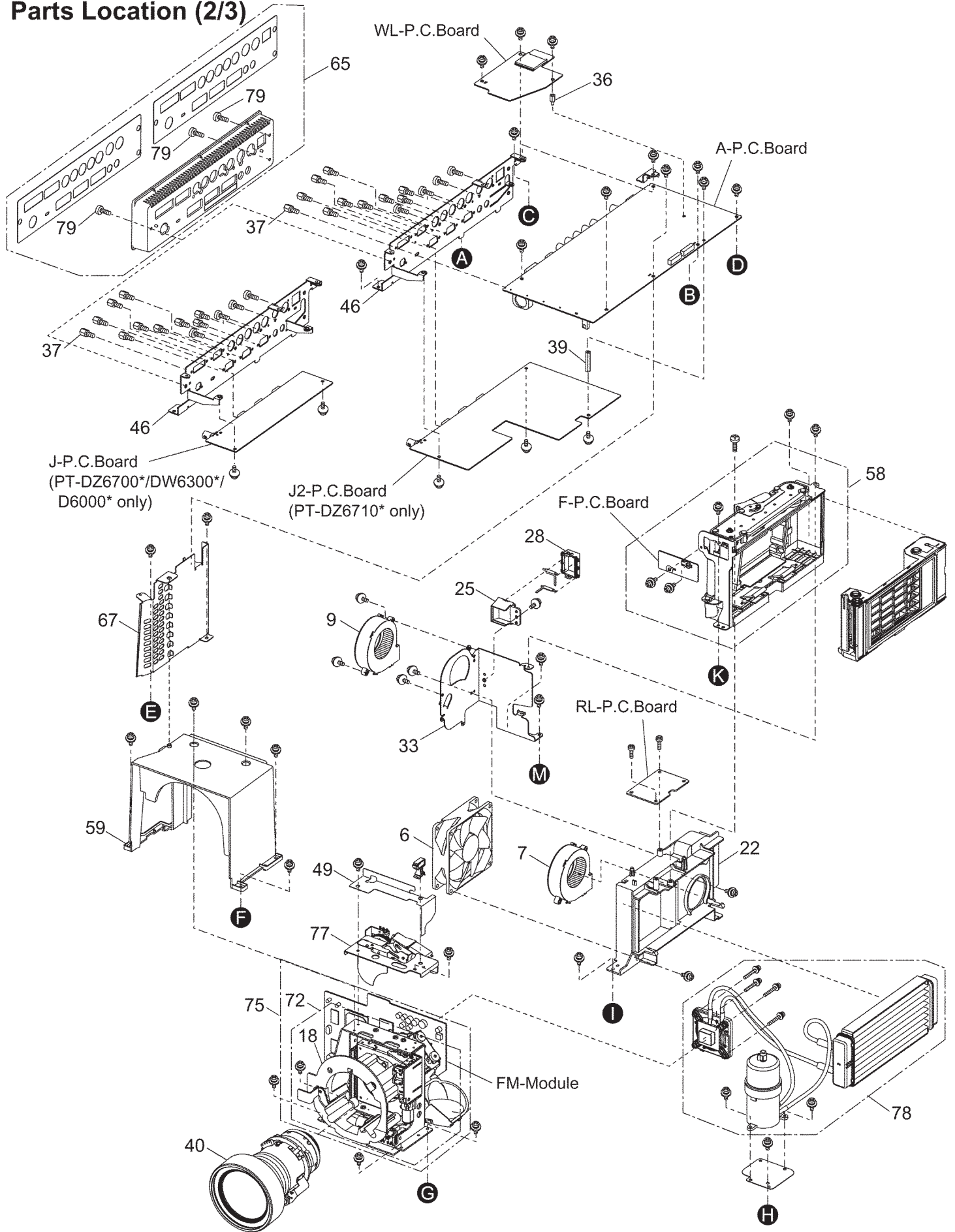


17 Exploded Views

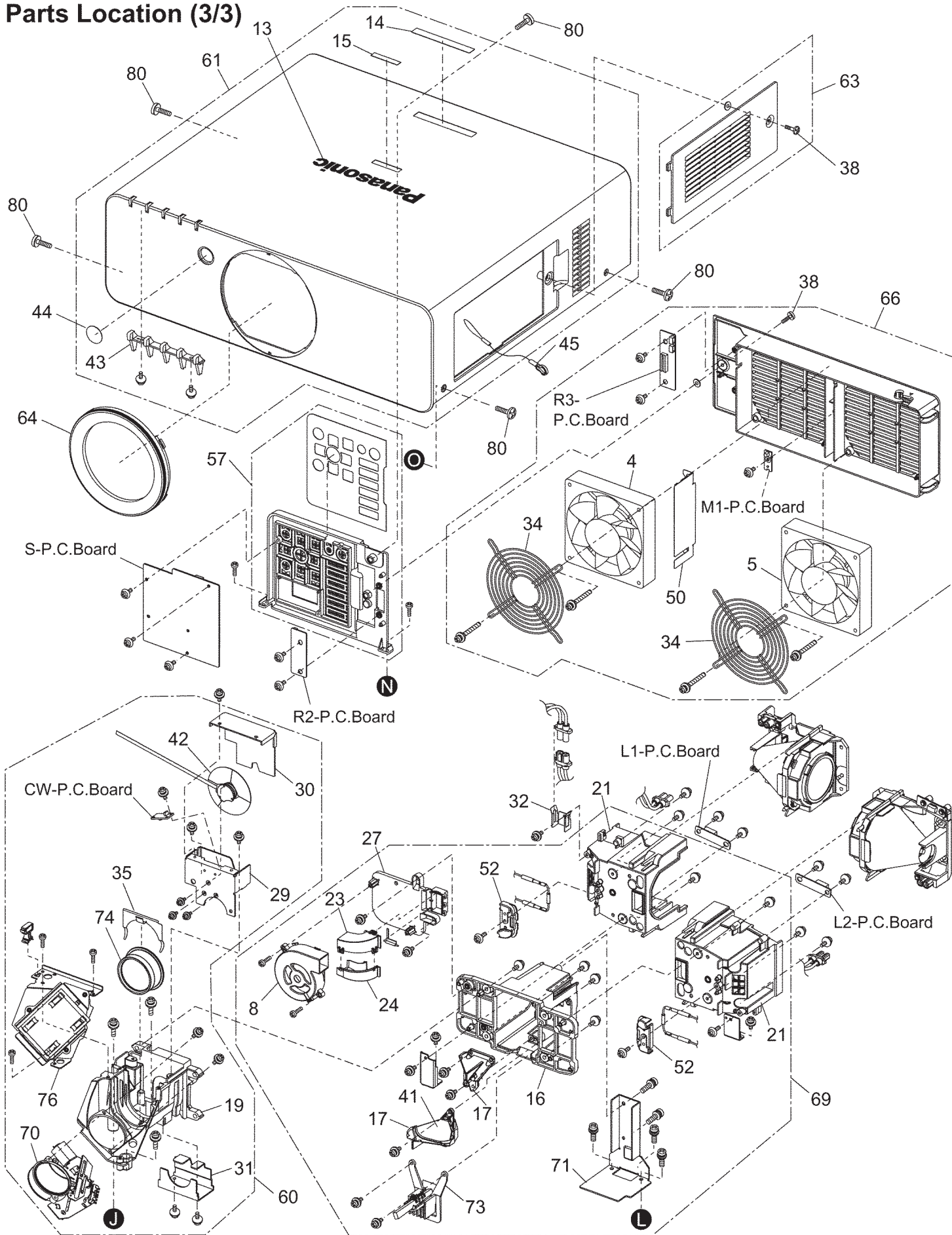
Parts Location (1/3)



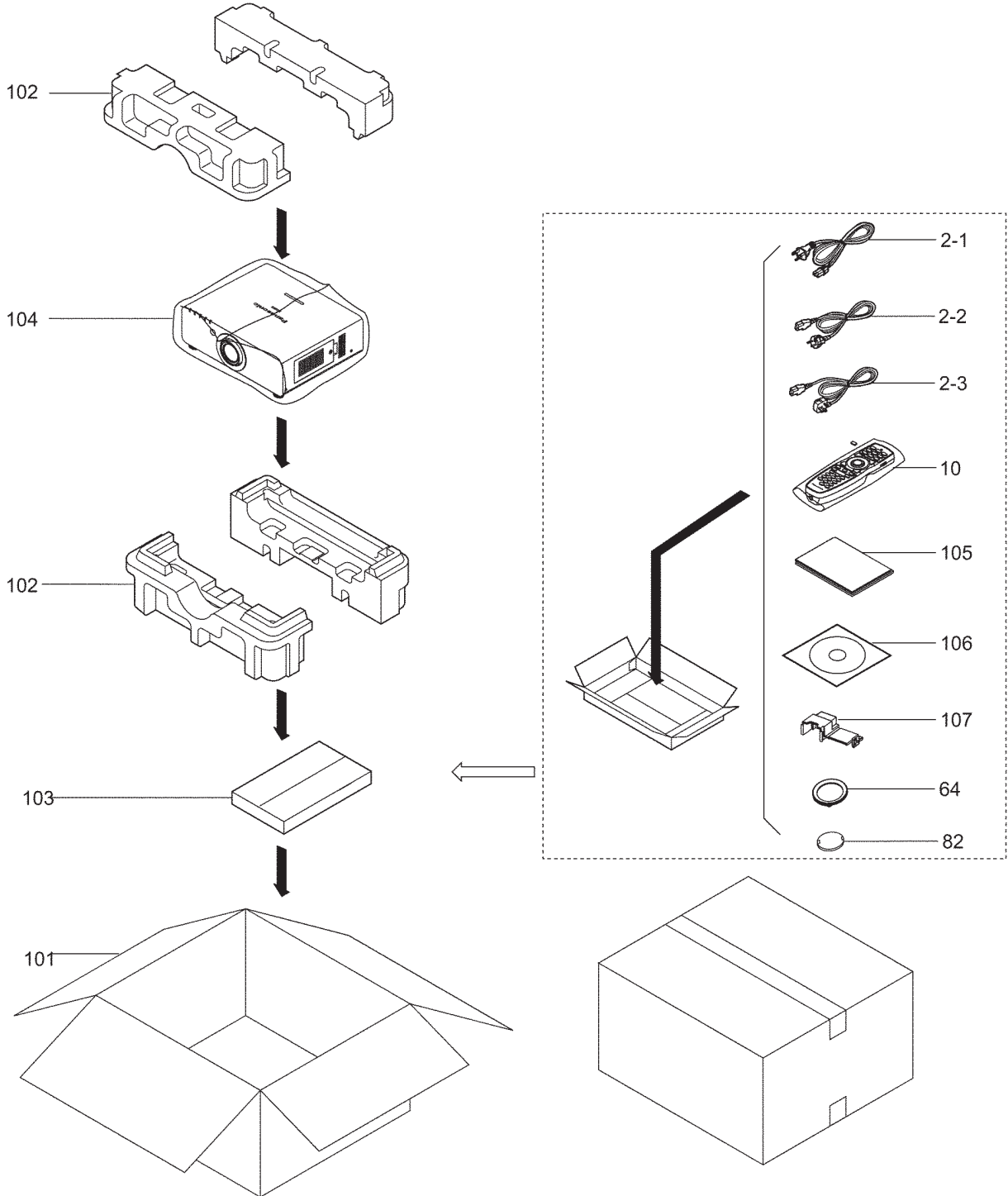
Parts Location (2/3)



Parts Location (3/3)



Packing Parts



18 Replacement Parts List

Important Safety Notice

Components identified by the International symbol \triangle have special characteristics important for safety. When replacing any of these components, use only the manufacturer's specified parts.

Abbreviation of part name and description

1. Resistor

Example:

ERD25TJ104 C 100KOHM, J, 1/4W

TYPE ALLOWANCE

TYPE	ALLOWANCE
C : Carbon	F : $\pm 1\%$
F : Fuse	G : $\pm 2\%$
M : Metal Oxide	J : $\pm 5\%$
Metal Film	K : $\pm 10\%$
S : Solid	M : $\pm 20\%$
W : Wire Wound	

2. Capacitor

Example:

ECKF1H103ZF C 0.01PF, Z, 50V

TYPE ALLOWANCE

TYPE	ALLOWANCE
C : Ceramic	C : $\pm 0.25\text{ pF}$
E : Electrolytic	D : $\pm 0.5\text{ pF}$
P : Polyester	F : $\pm 1\text{ pF}$
PP : Polypropylene	J : $\pm 5\%$
S : Polystyrol	K : $\pm 10\%$
T : Tantalum	L : $\pm 15\%$
	M : $\pm 20\%$
	P : $+100\%, -0\%$
	Z : $+80\%, -20\%$

Notes:

Printed circuit board assembly with mark (RTL) is no longer available after production discontinuation of the complete set.

Ref. No.	Part No.	Part Name & Description	Remarks
[MECHANICAL PARTS]			
	D4CDY4930002	TEMP SENSOR	\triangle (DMD)
	J0KA00000033	BEAD CORE	
	J0KG00000013	CLAMP CORE	\triangle
1	K0AACE000029	AC SWITCH	\triangle
	K2AHYB000003	AC INLET	\triangle
2-1	K2CG3FZ00008	POWER CORD	\triangle DZ6710U/UL, DZ6700U/UL, DW6300UK/US/ULK/ULS, D6000UK/US/ULK/ULS
2-2	K2CM3FZ00003	POWER CORD (EUROPE)	\triangle DZ6710E/EL, DZ6700E/EL, DW6300EK/ES/ELK/ELS, D6000EK/ES/ELK/ELS
2-3	K2CT3FZ00003	POWER CORD (UK)	\triangle DZ6710E/EL, DZ6700E/EL, DW6300EK/ES/ELK/ELS, D6000EK/ES/ELK/ELS
	K3GE1ZA00010	FUSE HOLDER	\triangle DZ6710E/EL, DZ6700E/EL, DW6300EK/ES/ELK/ELS, D6000EK/ES/ELK/ELS
	K5D632BNA005	FUSE	\triangle DZ6710E/EL, DZ6700E/EL, DW6300EK/ES/ELK/ELS, D6000EK/ES/ELK/ELS
	K5E153BQA004	FUSE	\triangle DZ6710U/UL, DZ6700U/UL, DW6300UK/US/ULK/ULS, D6000UK/US/ULK/ULS
3	L6FAYYYH0108	POWER FAN	
4	L6FAYYYH0115	VENTILATION FAN	\triangle (RIGHT)
5	L6FAYYYH0116	VENTILATION FAN	\triangle (LEFT)

Ref. No.	Part No.	Part Name & Description	Remarks
6	L6FAYYYH0117	RADIATOR FAN	\triangle
7	L6FCYYH0036	COLOR WHEEL FAN	\triangle
8	L6FCYYH0037	LAMP FAN (RIGHT)	\triangle
9	L6FCYYH0038	LAMP FAN (LEFT)	\triangle
10	N2QAYB000371	REMOTE CONTROLLER	
11	TBLB3202	ADJUST LEG	
12	TBLG3090	RUBBER LEG	(REAR)
13	TBMA283	PANASONIC LABEL	DZ6710*/DZ6700*, DW6300UK/EK/ULK/ELK, D6000UK/EK/ULK/ELK
	TBMA296	PANASONIC LABEL	DW6300US/ES/ULS/ELS, D6000US/ES/ULS/ELS
14	TBMA301	PRODUCT LABEL	DZ6710*
	TBMA285	PRODUCT LABEL	DZ6700*
	TBMA303	PRODUCT LABEL	DW6300UK/EK/ULK/ELK
	TBMA302	PRODUCT LABEL	DW6300US/ES/ULS/ELS
	TBMA305	PRODUCT LABEL	D6000UK/EK/ULK/ELK
	TBMA304	PRODUCT LABEL	D6000US/ES/ULS/ELS
15	TBMA308	MODEL NO. LABEL	DZ6710*
	TBMA284	MODEL NO. LABEL	DZ6700*
	TBMA298	MODEL NO. LABEL	DW6300UK/EK/ULK/ELK
	TBMA297	MODEL NO. LABEL	DW6300US/ES/ULS/ELS
	TBMA300	MODEL NO. LABEL	D6000UK/EK/ULK/ELK
	TBMA299	MODEL NO. LABEL	D6000US/ES/ULS/ELS

Ref. No.	Part No.	Part Name & Description	Remarks
	TBMH301	MODEL NAME PLATE	△ DZ6710U
	TBMH302	MODEL NAME PLATE	△ DZ6710E
	TBMH343	MODEL NAME PLATE	△ DZ6710UL
	TBMH344	MODEL NAME PLATE	△ DZ6710EL
	TBMH298	MODEL NAME PLATE	△ DZ6700U
	TBMH299	MODEL NAME PLATE	△ DZ6700E
	TBMH330	MODEL NAME PLATE	△ DZ6700UL
	TBMH331	MODEL NAME PLATE	△ DZ6700EL
	TBMH362	MODEL NAME PLATE	△ DW6300UK
	TBMH307	MODEL NAME PLATE	△ DW6300US
	TBMH363	MODEL NAME PLATE	△ DW6300EK
	TBMH308	MODEL NAME PLATE	△ DW6300ES
	TBMH365	MODEL NAME PLATE	△ DW6300ULK
	TBMH359	MODEL NAME PLATE	△ DW6300ULS
	TBMH366	MODEL NAME PLATE	△ DW6300ELK
	TBMH360	MODEL NAME PLATE	△ DW6300ELS
	TBMH351	MODEL NAME PLATE	△ D6000UK
	TBMH304	MODEL NAME PLATE	△ D6000US
	TBMH352	MODEL NAME PLATE	△ D6000EK
	TBMH305	MODEL NAME PLATE	△ D6000ES
	TBMH354	MODEL NAME PLATE	△ D6000ULK
	TBMH348	MODEL NAME PLATE	△ D6000ULS
	TBMH355	MODEL NAME PLATE	△ D6000ELK
	TBMH349	MODEL NAME PLATE	△ D6000ELS
16	TEDC5107	SYNTHETIC BLOCK CASE	
17	TEDC5108	SYNTHETIC MIRROR HOLDER	
	TEEC0033-3	EXCHANGE MECHA UNIT	
18	TEEC5168-2	LENS GUIDE	
19	TEEC5373	ANALYSIS CASE	
	TEEC5388	LENS COVER	
20	TEEC5389	AC COVER	
21	TEEC5392-1	LAMP CASE	
22	TEEC5395	INHALATION DUCT	
23	TEEC5396	LAMP DUCT 1	
24	TEEC5397	LAMP DUCT 2	
25	TEEC5398	L2DUCT 1	
26	TEEC5399	COLOR WHEEL DUCT	
27	TEEC5404	LAMP DUCT 3	
28	TEEC5405-1	L2 DUCT 2	
	TENC0174	ROTOR 1	
	TENC0175	ROTOR 2	
29	TENC5527	COLOR WHEEL BRACKET	
30	TENC5528-1	COLOR WHEEL COVER	(UPPER)
31	TENC5529	COLOR WHEEL COVER	(BOTTOM)
32	TENC5541	LAMP SOKET METAL	
33	TENC5543	DUCT METAL	
	TENC5568	REINFORCEMENT METAL	
34	TENC5569	FAN GUARD COVER	
	TENC5570	ROTOR 3	
	TESA333	SYNTHETIC MIRROR SPRING	
35	TESA335	LENS HOLDER SPRING	
	TEWB435	GASKET	
	TEWB436	GASKET	
	TEWF094	TAPE (COPPER LEAF)	△
	TEWF155	TAPE	(ELECTRIC CONDUCTION)
36	THEA203N	SPACER	(COPPER PYRITES)
37	THEC084N	D-SUB FIX SCREW	
38	THEC133	SCREW	
39	THNA023N	SPACER (COPPER PYRITES)	DZ6710*
40	TKGF0140	LENS	DZ6710U/E, DZ6700U/E
	TKGF0109-5	LENS	DW6300UK/US/EK/ES, D6000UK/US/EK/ES
41	TKGJ5140	SYNTHETIC MIRROR	
42	TKGX5025	COLOR WHEEL	
43	TKKC5358	LED PLATE	

Ref. No.	Part No.	Part Name & Description	Remarks
44	TKKC5370	REMOTE RECEIVER PLATE	DZ6710*/DZ6700*, DW6300UK/EK/ULK/ELK, D6000UK/EK/ULK/ELK
	TKKC5380	REMOTE RECEIVER PLATE	DW6300US/ES/ULS/ELS, D6000US/ES/ULS/ELS
82	TKKL5244-1	LENS CAP	DZ6710U/E, DZ6700U/E, DW6300, D6000
	TKKX5112	WIRE	
45	TKKX5113-1	DROP PREVENTION STRAP	
46	TKZF5066-1	TERMINAL PLATE	DZ6710*
	TKZF5064-1	TERMINAL PLATE	DZ6700*/DW6300*/D6000*
47	TKZJ5081	FAN METAL	
	TMKG957-1	SPONGE	(UPPER COVER)
	TMKG975	SPONGE	(PARTITION)
	TMKG976	SPONGE	(LENS COVER)
	TMKH006	SPONGE	
	TMKH007	SPONGE	
	TMKH010	SPONGE	(RADIATOR)
	TMKH034	SPONGE	
	TMKH047	SPONGE	(MIRROR DUSTPROOF)
	TMKH048	SPONGE	(MIRROR DUSTPROOF)
	TMKH049	SPONGE	(MIRROR DUSTPROOF)
	TMKH099	SPONGE	(MIRROR DUSTPROOF)
	TMKK349-1	SPACER	
	TMKX012	WASHER	
	TMKY179	TAPE (TWO SIDES)	DZ6710*/DZ6700*
	TMKY638	SHIELD SHEET	(PCB-WL)
	TMKY655	DUSTPROOF SHEET	(PARTITION)
48	TMKY707-1	BALLAST SHIELD PARTS	
49	TMKY722	WIRE PROTECT SHEET	
50	TMKY729	FAN SHEET	(WIND GUIDANCE)
	TMKY751	POWER SHIELD SHEET	
51	TMKY753	FAN SHEET	
	TMKY773	MIRROR SHADING SHEET	
	TMKY776	SHIELD SHEET	
	TMKY811	POWER SHIELD SHEET	
	TMM16473-1	CLAMPER	
	TMM7464-2	CLAMPER	
	TMME047	CLAMPER	
	TMME245	CLAMPER	
	TMME334	REUSE LOCKING CLAMP	
	TMME348	EDGE SADDLE	
	TMME363	CLAMPER	
	TMMX263	BUTTON BATTERY CAP	
52	TMXC017-1	TEMP FUSE INSTALL METAL	△

Ref. No.	Part No.	Part Name & Description	Remarks
101	TXFPC99QYHZ	CARTON	DZ6710U
	TXFPC99QYJZ	CARTON	DZ6710E
	TXFPC99QYPZ	CARTON	DZ6710UL
	TXFPC99QZBZ	CARTON	DZ6710EL
	TXFPC99QXAZ	CARTON	DZ6700U
	TXFPC99QXDZ	CARTON	DZ6700E
	TXFPC99QYQZ	CARTON	DZ6700UL
	TXFPC99QZCZ	CARTON	DZ6700EL
	TXFPC99RBZJ	CARTON	DW6300UK
	TXFPC99RBGZ	CARTON	DW6300US
	TXFPC99RBNZ	CARTON	DW6300EK
	TXFPC99RBLZ	CARTON	DW6300ES
	TXFPC99RBKZ	CARTON	DW6300ULK
	TXFPC99RBHZ	CARTON	DW6300ULS
	TXFPC99RBPZ	CARTON	DW6300ELK
	TXFPC99RBMZ	CARTON	DW6300ELS
	TXFPC99RAHZ	CARTON	D6000UK
	TXFPC99RAFZ	CARTON	D6000US
	TXFPC99RBEZ	CARTON	D6000EK
	TXFPC99RAKZ	CARTON	D6000ES
TXFPC99RAJZ	CARTON	D6000ULK	
TXFPC99RAGZ	CARTON	D6000ULS	
TXFPC99RBFZ	CARTON	D6000ELK	
TXFPC99RALZ	CARTON	D6000ELS	
102	TPDA1972	CUSHION PAD	
	TPDA2075-1	PAD	DZ6710UL/EL, DZ6700UL/EL, DW6300ULK/ULS/EL K/ELS, D6000ULK/ULS/ELK /ELS
	TPDA2102	LENS PAD	DZ6710U/E, DZ6700U/E, DW6300UK/US/EK/E S, D6000UK/US/EK/ES
103	TPDF1311	ACCESSARY PACKING CASE	
104	TPEH337	SET COVER	△
105	TQBJ0295-1	INSTRUCTION BOOK	△ DZ6710U/UL, DZ6700U/UL, DW6300UK/US/ULK/ ULS, D6000UK/US/ULK/U LK
	TQBJ0296-1	INSTRUCTION BOOK	△ DZ6710E/EL, DZ6700E/EL, DW6300EK/ES/ELK/ ELS, D6000EK/ES/ELK/E LS
	TQDJ18027-2	GUARANTEE CARD	DZ6710U/UL, DZ6700U/UL, DW6300UK/US/ULK/ ULS, D6000UK/US/ULK/U LS
	TQD1712010	SHEET	
	TQDH19011	SHEET (LENS MOUNT)	DZ6710UL/EL, DZ6700UL/EL, DW6300ULK/ULS/EL K/ELS, D6000ULK/ULS/ELK /ELS
106	TQZK334-1	CD-ROM	
	TSXL826	FLEX CABLE (A3-J1)	△ DZ6710*
	TSXL825	FLEX CABLE (A3-J1)	△ DZ6700*/ DW6300*/D6000*
	TSXL827	FLEX LEAD (A4-J2)	△ DZ6710*
107	TTRA0182	AC LOCK	△ DZ6710U/UL, DZ6700U/UL, DW6300UK/US/ULK/ ULS, D6000UK/US/ULK/U LS
	TTRA0183	AC LOCK	△ DZ6710E/EL, DZ6700E/EL, DW6300EK/ES/ELK/ ELS, D6000EK/ES/ELK/E LS

Ref. No.	Part No.	Part Name & Description	Remarks
	TTRA0214	WIRE ASSY	△
	TUCB5019	ALUMINUM SHEET	
	TUCB5026	ALUMINUM SHEET B	(A-PCB)
	TUCB5050	ALUMINUM SHEET	
	TUCB5140	ALUMINUM SHEET	(UPPER COVER)
	TUCB5160	ALUMINUM SHEET	
	TUCC6182	SHIELD METAL	
53	TUCC6342-1	POWER METAL	
54	TUCC6343-1	BALLAST SHIELD CASE	(UPPER)
55	TUCC6344	BALLAST SHIELD CASE	(BOTTOM)
56	TUCC6348	BALLAST MESH	
57	TXFBX01VKJ9	CONTROL BUTTON ASSY	DZ6710*
	TXFBX01VKJ5	CONTROL BUTTON ASSY	DZ6700*/DW6300*/ D6000*
58	TXFEE01VKJ5	AUTO CLEANING FILTER ASSY	
59	TXFEE03VKJ5	LENS COVER ASSY	
60	TXFEE04VKJ5	ANALYSIS BLOCK	DZ6710*/DZ6700*
	TXFEE01VKL2	ANALYSIS BLOCK	DW6300*/D6000*
61	TXFKF99QYHZ	UPPER COVER	△ DZ6710U
	TXFKF99QYJZ	UPPER COVER	△ DZ6710E
	TXFKF99QYPZ	UPPER COVER	△ DZ6710UL
	TXFKF99QZBZ	UPPER COVER	△ DZ6710EL
	TXFKF99QXAZ	UPPER COVER	△ DZ6700U
	TXFKF99QXDZ	UPPER COVER	△ DZ6700E
	TXFKF99QYQZ	UPPER COVER	△ DZ6700UL
	TXFKF99QZCZ	UPPER COVER	△ DZ6700EL
	TXFKF99RBZJ	UPPER COVER	△ DW6300UK
	TXFKF99RBGZ	UPPER COVER	△ DW6300US
	TXFKF99RBNZ	UPPER COVER	△ DW6300EK
	TXFKF99RBLZ	UPPER COVER	△ DW6300ES
	TXFKF99RBKZ	UPPER COVER	△ DW6300ULK
	TXFKF99RBHZ	UPPER COVER	△ DW6300ULS
	TXFKF99RBPZ	UPPER COVER	△ DW6300ELK
	TXFKF99RBMZ	UPPER COVER	△ DW6300ELS
	TXFKF99RAHZ	UPPER COVER	△ D6000UK
	TXFKF99RAFZ	UPPER COVER	△ D6000US
	TXFKF99RBEZ	UPPER COVER	△ D6000EK
	TXFKF99RAKZ	UPPER COVER	△ D6000ES
TXFKF99RAJZ	UPPER COVER	△ D6000ULK	
TXFKF99RAGZ	UPPER COVER	△ D6000ULS	
TXFKF99RBFZ	UPPER COVER	△ D6000ELK	
TXFKF99RALZ	UPPER COVER	△ D6000ELS	
62	TXFKP02VKJ5	BOTTOM COVER	
63	TXFKP01VKJ5	FILTER COVER ASSY	DZ6710*/DZ6700*
	TXFKP01VKK7	FILTER COVER ASSY	DW6300*/D6000*
64	TXFKP02VKJ5	LENS RING ASSY	
65	TXFPA01VKJ9	TERMINAL COVER ASSY	DZ6710*
	TXFPA01VKJ5	TERMINAL COVER ASSY	DZ6700*/DW6300*/ D6000*
66	TXFPA99QYHZ	REAR COVER ASSY	DZ6710*
	TXFPA99QXAZ	REAR COVER ASSY	DZ6700*/DW6300*/ D6000*
67	TXFUA01VKJ5	PARTITION METAL	(FRONT)
68	TXFUA02VKJ5	PARTITION METAL	(REAR)
	TXJ/A9VKJ5	LEAD WIRE (A9-M11)	△
	TXJ/B1VKJ5	LEAD WIRE (P4/P5 - B1/B2)	△
	TXJ/E1VKJ5	EARTH LEAD (INLET)	△
	TXJ/J5VKJ9-1	LEAD WIRE (A40-J5)	△ DZ6710*
	TXJ/J6VKJ9-1	LEAD WIRE (A41-J6)	△ DZ6710*
	TXJ/L3VKJ5	LEAD WIRE (BALLAST EXTENSION)	△
	TXJ/P1VKJ5	LEAD WIRE (P1-TEMP FUSE)	△
	TXJ/P3VKJ5	LEAD WIRE (INLET - PCB-P)	△
	TXJ/Q3VKJ5	LEAD WIRE (A5-BALLAST)	△
	TXJ/S1VKJ5	LEAD WIRE (A1-S1)	△
	TXJA12VKJ5	LEAD WIRE (A12-RL10)	△
	TXJA18VKJ9	LEAD WIRE (A18-J3)	△ DZ6710*
	TXJA19VKJ9	LEAD WIRE (A19-J4)	△ DZ6710*
	TXJA40VKJ5	LEAD WIRE (A40-FM1)	△

Ref. No.	Part No.	Part Name & Description	Remarks
	TXJA41VKJ5-1	LEAD WIRE (A41-FM3)	△ DZ6710*/DZ6700*
	TXJCW1VKJ5	LEAD WIRE (FM5-CW1)	△
	TXJL11VKJ5	LEAD WIRE (A7-L11)	△
	TXJL21VKJ5	LEAD WIRE (A8-L21)	△
	TXJM21VKJ5	LEAD WIRE (M21-RL11)	△
	TXJP12VKJ5	LEAD WIRE (A42-P12)	△
	TXJP13VKJ5	LEAD WIRE (A43-P13)	△
	TXJP14VKJ5	LEAD WIRE (P14-FM2)	△
	TXJR21VKJ5	LEAD WIRE (A20-R21)	△
	TXJR34VKJ5	LEAD WIRE (R31-M11)	△
	TXJRL1VKJ5	LEAD WIRE (A35-RL1)	△
69	TXZED01VKJ5	OPTICAL BLOCK ASSY	DZ6710*/DZ6700*
	TXZED01VKL2	OPTICAL BLOCK ASSY	DW6300*/D6000*
70	TXZEK01VKJ5	MECHA IRIS ASSY	
71	TXZEN02VKJ5	OPTICAL SUPPORT METAL ASSY	
72	TXZGA01VKJ5	LENS MOUNT ASSY	DZ6710*/DZ6700*
	TXZGA01VKK7	LENS MOUNT ASSY	DW6300*/D6000*
73	TXZKG02VKJ5	ROD ASSY	DZ6710*/DZ6700*
	TXZKG01VKL2	ROD ASSY	DW6300*/D6000*
74	TXZKG03VJW2	RELAY LENS HOLDER	
	TXZKG04VKJ5	LENS HOLDER ASSY	
75	TXZKG05VKJ5	DMD BLOCK ASSY	DZ6710*/DZ6700*
	TXZKG02VKL2	DMD BLOCK ASSY	DW6300*/D6000*
76	TXZRG06VKJ5	REFLECTION MIRROR ASSY	
77	TXZTE01VKJ5	MECHA SHUTTER ASSY	
78	UDLS020AVA	COOLING UNIT ASSY	
	XQN2+C2FJK	SCREW	
	XQN2+C3FJK	SCREW	
	XSB2+8FJ	SCREW	
79	XSB3+6FJK	SCREW	
	XSB3+8FN	SCREW	
80	XSB4+10FJK	SCREW	DZ6710*/DZ6700*, DW6300UK/EK/ULK/ ELK, D6000UK/EK/ULK/E LK
	XSB4+10FC	SCREW	DW6300US/ES/ULS/ ELS, D6000US/ES/ULS/E LS
	XSN3+12FJ	SCREW	
	XTB3+12GFJK	SCREW	
	XTB4+12GFJ	SCREW	
	XTBT969FJK	SCREW	
	XTN3+4FFJ	SCREW	
	XTN5+16GFJ	SCREW	
	XTW3+6PFJK	SCREW	
	XTW3+8PFJ	SCREW	
	XWGV3D54G	POLYSLIDER WASHER	
	XYC3+FF12FJ	SCREW	
	XYC3+FF6FJK	SCREW	
81	XYC3+FF8FJ	SCREW	
	XYC4+FF8FJ	SCREW	
	XYN2+J18FJ	SCREW	
	XYN2+J6FN	SCREW	
	XYN26+C6FJ	SCREW	
	XYN3+F25FJ	SCREW	
	XYN3+F6FJK	SCREW	
	XYN3+F8FJ	SCREW	
	XYN3+J10FJ	SCREW	
	XYN3+J8FJ	SCREW	
	XYN4+E8FJ	SCREW	
	XYN4+F25FJ	SCREW	
	XYN4+F35FJ	SCREW	
	XYN4+J10FJ	SCREW	
	XYN4+J8FJ	SCREW	
	XZB15X32C05	POLY BAG	
	XZBT6506	POLY BAG	
[INTEGRATED CIRCUIT]			

Ref. No.	Part No.	Part Name & Description	Remarks
IC1709	C0CBCAG00014	I.C	
IC1710	C3EBCY00020	I.C	
IC1711	C0CBCBG00013	I.C	
IC1712	C0EBE0000348	I.C	
IC1715	TVRQ361	I.C	
IC1716	C2GBC0000338	I.C	
IC1717	C0FBBK000066	I.C	
IC1718	C3ABSJ000009	I.C	
IC1720	C0CBCAG00015	I.C	
IC2001	C1CB00003085	I.C	
IC2007	C0CBCBD00008	I.C	
IC2008	C0EBE0000348	I.C	
IC2011	C0JBAA000345	I.C	
IC2012	C0JBAA000345	I.C	
IC2401	TVRQ352	I.C	
IC2402	C0EBE0000348	I.C	
IC2403	C0JBAA000345	I.C	
IC2404	C0JBAZ000851	I.C	
IC2405	C0JBAB000621	I.C	
IC2406	C0JBAB000621	I.C	
IC2407	C0JBAB000621	I.C	
IC2501	C0FBB000183	I.C	
IC2511	C0CBCY000004	I.C	
IC2512	C0CBCY000004	I.C	
IC2513	C0CBCY000004	I.C	
IC2514	C0CBCY000004	I.C	
IC2515	C0CBCY000004	I.C	
IC2516	C0CBCY000004	I.C	
IC2517	C0CBCY000004	I.C	
IC2518	C0CBCY000004	I.C	
IC2519	C0CBCY000004	I.C	
IC2530	C0CBCY000004	I.C	
IC2531	C0GBG0000053	I.C	
IC2532	C0GBG0000053	I.C	
IC2533	C0GBA0000035	I.C	
IC2534	C0GBG0000053	I.C	
IC2535	C0GBG0000053	I.C	
IC2536	C0CBCY000004	I.C	
IC2541	C0CBCY000004	I.C	
IC2542	C0GBE0000029	I.C	
IC2543	C0ABBA000229	I.C	
IC3001	C0CBCDD00004	I.C	
IC3002	C0JBAZ001876	I.C	DW6300*/D6000*
IC3003	C0JBAZ001876	I.C	DW6300*/D6000*
IC3006	C0JBAZ001876	I.C	DZ6710*/DZ6700*
IC3007	C0JBAZ001876	I.C	DZ6710*/DZ6700*
IC3008	C3EBEC000054	I.C	DW6300*/D6000*
IC3009	C3EBCC000052	I.C	
IC3010	C1AB00002966	I.C	DZ6710*/DZ6700*
IC3010	C1AB00002753	I.C	DW6300**/D6000**
IC3011	C0JBAS000333	I.C	DZ6710*/DZ6700*
IC3011	C0JBAS000206	I.C	DW6300*/D6000*
IC3013	C0DBGFF00004	I.C	DZ6710*/DZ6700*
IC3013	C0CBCAD00015	I.C	DW6300*/D6000*
IC3014	C0DBZYY00241	I.C	
IC3015	C0DBZYY00225	I.C	DZ6710*/DZ6700*
IC3016	C0CBCAD00015	I.C	DW6300*/D6000*
IC3017	C0JBAZ002115	I.C	
IC3020	C1AB00002753	I.C	
IC3021	C0DBZGF00002	I.C	
IC3023	C0DBZYY00225	I.C	DZ6710*/DZ6700*
IC3023	C0CBCAD00015	I.C	DW6300*/D6000*
IC3024	C0CBCAD00015	I.C	
IC3025	C0JBAZ002115	I.C	
IC3039	C0JBAS000206	I.C	DZ6710*/DZ6700*
IC3040	C1BZ0003314	I.C	DZ6710*/DZ6700*
IC3041	C0DBZFG00055	I.C	DZ6710*/DZ6700*
IC3042	C1BZ0003419	I.C	
IC3044	C0DBZFG00055	I.C	
IC3045	C0JBAZ002115	I.C	DZ6710*/DZ6700*
IC3046	C0JBAZ002115	I.C	DZ6710*/DZ6700*
IC3046	C0JBAZ002115	I.C	DW6300*/D6000*
IC3090	C0ZBZ0001568	I.C	DZ6710*/DZ6700*

Ref. No.	Part No.	Part Name & Description	Remarks
IC3101	C1AB00002970	I.C	DZ6710*/DZ6700*
IC3101	C1AB00002902	I.C	DW6300*/D6000*
IC3102	TVRQ314	I.C	(MAIN-CPU)
IC3103	C3EBLC000034	I.C	
IC3104	C3EBLC000034	I.C	
IC3105	C0JBAZ001633	I.C	
IC3106	C1DB00001208	I.C	
IC3107	C0JBAR000556	I.C	
IC3108	C0JBAA000377	I.C	
IC3109	C0DBAFA00030	I.C	
IC3110	C0DBAFY00001	I.C	
IC3111	COZBZ0001681	I.C	DZ6710*/DZ6700*
IC3111	COZBZ0001663	I.C	DW6300*/D6000*
IC3112	COEBE0000348	I.C	
IC3113	C0JBAA000377	I.C	
IC3114	C0JBAA000377	I.C	
IC3115	C0JBAA000377	I.C	
IC3116	C0JBAZ001633	I.C	
IC3117	C0DBEFH00002	I.C	DW6300*/D6000*
IC3121	C3ABQJ000055	I.C	
IC3122	C3ABQJ000055	I.C	DZ6710*/DZ6700*
IC3123	C0DBEFH00001	I.C	DZ6710*/DZ6700*
IC3135	C0JBAZ002332	I.C	
IC3215	C3EBDC000067	I.C	
IC3216	C0JBAS000206	I.C	
IC3801	C0JBAA000345	I.C	
IC4010	C0JBAB000635	I.C	
IC4902	COBBBA000076	I.C	
IC8201	C1AB00003074	I.C	DZ6710*
IC8202	C1AB00003073	I.C	DZ6710*
IC8203	C1ZBZ0003314	I.C	DZ6710*
IC8204	C0DBZFG00055	I.C	DZ6710*
IC8205	C0CBCAD00012	I.C	DZ6710*
IC8206	C0CBCBD00008	I.C	DZ6710*
IC8207	C0CBABC00117	I.C	DZ6710*
IC8501	COZBZ0001620	I.C	DZ6710*
IC8502	C0DBAFA00030	I.C	DZ6710*
IC8503	C0DBAHH00046	I.C	DZ6710*
IC8504	C0DBAFA00027	I.C	DZ6710*
IC8505	TVRQ463	I.C	DZ6710*
IC8506	COZBZ0001568	I.C	DZ6710*
IC8507	C1AB00002932	I.C	DZ6710*
IC8508	C3ABRY000015	I.C	DZ6710*
IC8509	C3ABRY000015	I.C	DZ6710*
IC8801	COZBZ0001361	I.C	
IC8803	C0JBAZ001467	I.C	
IC8807	C0JBAB000771	I.C	
IC9602	COZBZ0001462	I.C (B-PCB)	
IC9603	COZBZ0001462	I.C (B-PCB)	
		[TRANSISTORS]	
Q2401	2SD1819K0L	TRANSISTOR	
Q2501	UN2211	TRANSISTOR	
Q2502	B1CHQD000001	TRANSISTOR	
Q2503	UN2211	TRANSISTOR	
Q2504	2SK221100L	TRANSISTOR	
Q2505	2SD601A-R	TRANSISTOR	
Q2506	2SD601A-R	TRANSISTOR	
Q2507	B1CHQD000001	TRANSISTOR	
Q2508	B1CBHD000001	TRANSISTOR	
Q2509	B1CBHD000001	TRANSISTOR	
Q3001	2SD1819K0L	TRANSISTOR	
Q3002	2SB1218K0L	TRANSISTOR	
Q3003	2SD1819K0L	TRANSISTOR	
Q3004	2SD1819K0L	TRANSISTOR	
Q3005	2SD1819K0L	TRANSISTOR	
Q3018	UN2211	TRANSISTOR	
Q3019	UN2211	TRANSISTOR	
Q3020	B1ADCF000063	TRANSISTOR	
Q3021	UN2211	TRANSISTOR	
Q3041	XP0460100L	TRANSISTOR	
Q3051	XP0460100L	TRANSISTOR	

Ref. No.	Part No.	Part Name & Description	Remarks
Q3061	XP0460100L	TRANSISTOR	
Q3071	XP0460100L	TRANSISTOR	
Q3081	B1ABBB000089	TRANSISTOR	DZ6710*/DZ6700*
Q3081	B1ABBB000089	TRANSISTOR	DW6300*/D6000*
Q3082	B1ABBB000089	TRANSISTOR	DZ6710*/DZ6700*
Q3082	B1ABBB000089	TRANSISTOR	DW6300*/D6000*
Q3083	B1ABBB000089	TRANSISTOR	
Q3091	2SD1819K0L	TRANSISTOR	
Q3092	2SD1819K0L	TRANSISTOR	
Q3093	2SD1819K0L	TRANSISTOR	
Q3094	2SD1819K0L	TRANSISTOR	
Q3101	B1ABBB000089	TRANSISTOR	DZ6710*/DZ6700*
Q3101	B1ABBB000089	TRANSISTOR	DW6300*/D6000*
Q3102	B1ABBB000089	TRANSISTOR	DZ6710*/DZ6700*
Q3102	B1ABBB000089	TRANSISTOR	DW6300*/D6000*
Q3103	B1ABBB000089	TRANSISTOR	
Q3111	2SD1819K0L	TRANSISTOR	
Q3112	2SD1819K0L	TRANSISTOR	
Q3113	2SD1819K0L	TRANSISTOR	
Q3221	B1CBHD000001	TRANSISTOR	
Q3222	B1CBHD000001	TRANSISTOR	
Q3223	B1CBHD000001	TRANSISTOR	
Q3224	B1CBHD000001	TRANSISTOR	
Q3225	UN2211	TRANSISTOR	
Q3226	UN2211	TRANSISTOR	
Q3227	UN2211	TRANSISTOR	
Q3228	B1ADCF000063	TRANSISTOR	
Q3611	B1CHQD000001	TRANSISTOR	
Q3621	B1CHQD000001	TRANSISTOR	
Q3760	B1ABCF000020	TRANSISTOR	
Q3761	B1ABCF000020	TRANSISTOR	
Q3821	2SB1218K0L	TRANSISTOR	
Q3824	2SB1218K0L	TRANSISTOR	
Q3826	2SB1218K0L	TRANSISTOR	
Q3829	2SB1218K0L	TRANSISTOR	
Q3830	B1ABCF000020	TRANSISTOR	
Q8501	2SD1819A0L	TRANSISTOR	DZ6710*
Q8502	B1DHDC000028	TRANSISTOR	DZ6710*
Q8801	2SD1819K0L	TRANSISTOR	
Q8802	2SB1218K0L	TRANSISTOR	
Q8803	2SD1819K0L	TRANSISTOR	
Q8804	2SB1219G0L	TRANSISTOR	
Q8805	2SB1218K0L	TRANSISTOR	
Q9601	2SD0602A	TRANSISTOR	(B-PCB)
Q9602	2SB0710AWL	TRANSISTOR	(B-PCB)
Q9603	B1DEGQ000037	TRANSISTOR	(B-PCB)
Q9604	2SB0710AWL	TRANSISTOR	(B-PCB)
Q9605	2SB0710AWL	TRANSISTOR	(B-PCB)
Q9606	B1CERQ000036	TRANSISTOR	(B-PCB)
Q9607	B1CERQ000036	TRANSISTOR	(B-PCB)
Q9608	2SB0710AWL	TRANSISTOR	(B-PCB)
Q9609	2SB0710AWL	TRANSISTOR	(B-PCB)
Q9610	B1CERQ000036	TRANSISTOR	(B-PCB)
Q9611	B1CERQ000036	TRANSISTOR	(B-PCB)
Q9612	2SD1819A0L	TRANSISTOR	(B-PCB)
Q9614	B1DEGQ000037	TRANSISTOR	(B-PCB)
Q9615	B1DEGQ000037	TRANSISTOR	(B-PCB)
		[DIODES]	
D1801	LNJ308G8TRA	LED	
D1805	B0JCGD000002	DIODE	
D1806	B0BC4R0A0006	DIODE	
D1807	B0ECLM000005	DIODE	
D1808	B0ECLM000005	DIODE	
D2001	MA157A	DIODE	
D2002	MA157A	DIODE	
D2003	MA157A	DIODE	
D2004	MA157A	DIODE	
D2501	B0HCOMM000013	DIODE	
D2502	MAZY12000L	DIODE	
D2503	B0JCPD000026	DIODE	
D2504	B0JCPD000026	DIODE	

Ref. No.	Part No.	Part Name & Description	Remarks
D2531	B0JCPD000026	DIODE	
D2532	B0JCPD000026	DIODE	
D3031	MAZ30560ML	DIODE	
D3032	MAZ80560ML	DIODE	
D3033	MAZ80560ML	DIODE	
D3035	B0JCGD000002	DIODE	
D3036	B0JCAE000001	DIODE	
D3040	EZJZ0V80008B	VARISTOR	
D3041	MA157A	DIODE	
D3042	MA157A	DIODE	
D3050	EZJZ0V80008B	VARISTOR	
D3051	MA157A	DIODE	
D3052	MA157A	DIODE	
D3061	MA157A	DIODE	
D3062	MA157A	DIODE	
D3071	MA157A	DIODE	
D3072	MA157A	DIODE	
D3081	MA704ATX	DIODE	
D3082	MA704ATX	DIODE	
D3083	MAZ80560ML	DIODE	
D3085	MA704ATX	DIODE	
D3091	MA704ATX	DIODE	
D3092	MA704ATX	DIODE	
D3093	MAZ80560ML	DIODE	
D3101	MA704ATX	DIODE	
D3102	MA704ATX	DIODE	
D3103	MAZ80560ML	DIODE	
D3105	MA704ATX	DIODE	
D3111	MA704ATX	DIODE	
D3112	MA704ATX	DIODE	
D3113	MAZ80560ML	DIODE	
D3231	EZJZ0V80008B	VARISTOR	
D3232	EZJZ0V80008B	VARISTOR	
D3233	EZJZ0V171AA	VARISTOR	
D3234	EZJZ0V171AA	VARISTOR	
D3235	EZJZ0V80008B	VARISTOR	
D3236	EZJZ0V80008B	VARISTOR	
D3237	EZJZ0V80008B	VARISTOR	
D3238	EZJZ0V80008B	VARISTOR	
D3239	EZJZ0V80008B	VARISTOR	
D3240	EZJZ0V80008B	VARISTOR	
D3241	B0JCGD000002	DIODE	
D3242	B0JCAE000001	DIODE	
D3243	MAZ80560ML	DIODE	
D3360	B3AAB0000038	DIODE	
D3460	B3AAB0000038	DIODE	DW6300*/D6000*
D3611	B0JCPD000026	DIODE	
D3621	B0JCPD000026	DIODE	
D3780	MA3X152E0L	DIODE	
D3781	MA3X152E0L	DIODE	
D3901	MA157A	DIODE	
D3902	MA157A	DIODE	
D3903	MA157A	DIODE	
D3904	MA157A	DIODE	
D3971	B3AGB0000051	DIODE	
D3972	B3AAB0000199	DIODE	
D3973	B3AAB0000199	DIODE	
D3974	B3AAB0000199	DIODE	
D3975	B3AGB0000051	DIODE	
D8501	MA3X152E0L	DIODE	DZ6710*
D8502	B0JCPD000026	DIODE	DZ6710*
D8802	MA157A	DIODE	
D8813	MA157A	DIODE	
D8815	MAZ80560ML	DIODE	
D8816	MAZ80560ML	DIODE	
D8817	MAZ80560ML	DIODE	
D8818	MAZ80560ML	DIODE	
D8819	MAZ80560ML	DIODE	
D8820	MAZ80560ML	DIODE	
D8821	MAZ80560ML	DIODE	
D8822	MAZ80560ML	DIODE	
D8823	D4ED1270A006	VARISTOR	
D8824	D4ED1270A006	VARISTOR	

Ref. No.	Part No.	Part Name & Description	Remarks
D8825	D4ED1270A006	VARISTOR	
D8826	D4ED1270A006	VARISTOR	
D8827	D4ED1120A002	VARISTOR	
D8828	D4ED1120A002	VARISTOR	
D8829	D4ED1120A002	VARISTOR	
D8830	D4ED1120A002	VARISTOR	
D9601	B0HASR000006	DIODE	(B-PCB)
D9602	MA2Z72000L	DIODE	(B-PCB)
D9604	MA158TX	DIODE	(B-PCB)
D9605	MA2Z72000L	DIODE	(B-PCB)
D9606	MA158TX	DIODE	(B-PCB)
D9607	MA2Z72000L	DIODE	(B-PCB)
D9608	MA158TX	DIODE	(B-PCB)
D9609	MA2Z72000L	DIODE	(B-PCB)
D9610	MAZ80560ML	DIODE	(B-PCB)
D9611	MA158TX	DIODE	(B-PCB)
D9612	MA2Z72000L	DIODE	(B-PCB)
D9613	B0EAJV000002	DIODE	(B-PCB)
D9614	B0EAJV000002	DIODE	(B-PCB)
D9616	B0ECHP000003	DIODE	(B-PCB)
D9617	MA2Z72000L	DIODE	(B-PCB)
D9618	MA2Z72000L	DIODE	(B-PCB)
D9619	MA2Z72000L	DIODE	(B-PCB)
D9620	MA2Z72000L	DIODE	(B-PCB)
D9621	MA2Z72000L	DIODE	(B-PCB)
D9622	B0ECHP000003	DIODE	(B-PCB)
D9623	B0ECHP000003	DIODE	(B-PCB)
D9624	MA2Z72000L	DIODE	(B-PCB)
D9625	MA2Z72000L	DIODE	(B-PCB)
D9626	MA2Z72000L	DIODE	(B-PCB)
D9627	MA2Z72000L	DIODE	(B-PCB)
D9628	MA2Z72000L	DIODE	(B-PCB)
D9629	B0ECHP000003	DIODE	(B-PCB)
[COILS]			
L1800	J0JHC0000107	FILTER	
L1801	J0JHC0000107	FILTER	
L1802	J0JHC0000107	FILTER	
L1804	J0JHC0000107	FILTER	
L1805	J0JHC0000107	FILTER	
L1806	J0JHC0000107	FILTER	
L1808	J0JHC0000107	FILTER	
L1810	J0JHC0000107	FILTER	
L1812	J0JHC0000107	FILTER	
L1813	J0JHC0000107	FILTER	
L1814	J0JHC0000107	FILTER	
L1816	J0JHC0000107	FILTER	
L1817	J0JDC0000079	FILTER	
L1818	J0JBC0000116	EMI FILTER	
L1819	J0JHC0000107	FILTER	
L2001	J0JHC0000107	FILTER	
L2002	J0JHC0000107	FILTER	
L2004	J0JHC0000107	FILTER	
L2007	J0JHC0000107	FILTER	
L2501	J0JHC0000078	EMI FILTER	
L2502	J0JHC0000078	EMI FILTER	
L2503	J0JHC0000078	EMI FILTER	
L2504	J0JHC0000078	EMI FILTER	
L2505	J0JHC0000078	EMI FILTER	
L2511	J0JCC0000168	FILTER	
L2512	J0JHC0000078	EMI FILTER	
L2513	J0JCC0000168	FILTER	
L2514	J0JHC0000078	EMI FILTER	
L2515	J0JCC0000168	FILTER	
L2516	J0JHC0000078	EMI FILTER	
L2517	J0JCC0000168	FILTER	
L2518	J0JHC0000078	EMI FILTER	
L2519	J0JCC0000168	FILTER	
L2520	J0JHC0000078	EMI FILTER	
L2521	J0JCC0000168	FILTER	
L2522	J0JHC0000078	EMI FILTER	
L2523	J0JCC0000168	FILTER	

Ref. No.	Part No.	Part Name & Description	Remarks
L2524	J0JHC0000078	EMI FILTER	
L2525	J0JCC0000168	FILTER	
L2526	J0JHC0000078	EMI FILTER	
L2527	J0JCC0000168	FILTER	
L2528	J0JHC0000078	EMI FILTER	
L2529	J0JHC0000078	EMI FILTER	
L2531	J0JJC0000022	EMI FILTER	
L2534	J0JJC0000022	EMI FILTER	
L3001	J0JCC0000168	FILTER	
L3003	J0JHC0000078	EMI FILTER	
L3004	J0JHC0000078	EMI FILTER	
L3005	J0JHC0000078	EMI FILTER	
L3009	J0JCC0000168	FILTER	
L3010	G1C100K00031	INDUCTOR	
L3011	J0JHC0000078	EMI FILTER	
L3013	J0JHC0000078	EMI FILTER	
L3015	J0JHC0000078	EMI FILTER	
L3021	J0JHC0000078	EMI FILTER	
L3101	J0JCC0000168	FILTER	DZ6710*/DZ6700*
L3102	J0JCC0000168	FILTER	DW6300*/D6000*
L3103	J0JCC0000168	FILTER	DW6300*/D6000*
L3104	J0JHC0000078	EMI FILTER	DZ6710*/DZ6700*
L3105	J0JHC0000078	EMI FILTER	
L3106	J0JHC0000078	EMI FILTER	
L3107	J0JHC0000078	EMI FILTER	DW6300*/D6000*
L3108	J0JCC0000168	FILTER	
L3109	J0JHC0000078	EMI FILTER	
L3110	J0JHC0000078	EMI FILTER	DZ6710*/DZ6700*
L3120	J0JHC0000078	EMI FILTER	
L3211	J0JCC0000238	FILTER	DW6300*/D6000*
L3301	J0JCC0000168	FILTER	
L3302	J0JHC0000078	EMI FILTER	
L3303	J0JCC0000168	FILTER	
L3304	J0JCC0000168	FILTER	
L3305	J0JCC0000168	FILTER	
L3306	J0JCC0000168	FILTER	
L3307	J0JCC0000168	FILTER	
L3310	J0JCC0000238	FILTER	
L3401	J0JHC0000078	EMI FILTER	DZ6710*/DZ6700*
L3402	J0JHC0000078	EMI FILTER	DZ6710*/DZ6700*
L3403	J0JJC000022	EMI FILTER	DZ6710*/DZ6700*
L3404	J0JHC0000078	EMI FILTER	DZ6710*/DZ6700*
L3406	J0JHC0000078	EMI FILTER	DZ6710*/DZ6700*
L3451	J0JHC0000078	EMI FILTER	
L3452	J0JHC0000078	EMI FILTER	
L3453	J0JJC000022	EMI FILTER	
L3454	J0JHC0000078	EMI FILTER	
L3461	J0JHC0000078	EMI FILTER	
L3490	J0JCC0000238	FILTER	DZ6710*/DZ6700*
L3501	J0JCC0000168	FILTER	DW6300*/D6000*
L3502	J0JCC0000168	FILTER	DW6300*/D6000*
L3503	J0JCC0000168	FILTER	DW6300*/D6000*
L3504	J0JCC0000168	FILTER	DW6300*/D6000*
L3505	J0JCC0000168	FILTER	DW6300*/D6000*
L3506	J0JCC0000168	FILTER	DW6300*/D6000*
L3507	J0JCC0000168	FILTER	DW6300*/D6000*
L3521	J0JHC0000078	EMI FILTER	DZ6710*/DZ6700*
L3522	ELJFA470JFB	COIL	DZ6710*/DZ6700*
L3551	ELJFA470JFB	COIL	DZ6710*/DZ6700*
L3571	J0JJC000022	EMI FILTER	DW6300*/D6000*
L3572	ELJFA470JFB	COIL	DW6300*/D6000*
L3573	J0JJC000022	EMI FILTER	DW6300*/D6000*
L3574	J0JJC000022	EMI FILTER	DW6300*/D6000*
L3577	J0JJC000022	EMI FILTER	DW6300*/D6000*
L3578	ELJFA470JFB	COIL	DW6300*/D6000*
L3579	J0JJC000022	EMI FILTER	DW6300*/D6000*
L3580	ERJ3GEYJ560	M 56 OHM, J, 1/16W	
L3581	ERJ3GEYJ560	M 56 OHM, J, 1/16W	
L3582	ERJ3GEYJ560	M 56 OHM, J, 1/16W	
L3583	J0JCC0000238	FILTER	DZ6710*/DZ6700*
L3584	J0JCC0000238	FILTER	DZ6710*/DZ6700*
L3585	J0JJC000022	EMI FILTER	DZ6710*/DZ6700*
L3586	J0JCC0000238	FILTER	DZ6710*/DZ6700*

Ref. No.	Part No.	Part Name & Description	Remarks
L3591	J0JHC0000078	EMI FILTER	DW6300*/D6000*
L3595	J0JJC0000022	EMI FILTER	DW6300*/D6000*
L3596	G1C220M00049	CHIP COIL	DW6300*/D6000*
L3597	J0JJC0000022	EMI FILTER	DW6300*/D6000*
L3598	G1C220M00043	CHIP COIL	DW6300*/D6000*
L3611	J0JHC0000078	EMI FILTER	DZ6710*/DZ6700*
L3612	J0JJC0000022	EMI FILTER	DZ6710*/DZ6700*
L3613	G1C220M00049	CHIP COIL	DZ6710*/DZ6700*
L3621	J0JJC0000022	EMI FILTER	DZ6710*/DZ6700*
L3622	G1C220M00043	CHIP COIL	DZ6710*/DZ6700*
L3623	J0JCC0000168	FILTER	
L3624	J0JHC0000078	EMI FILTER	DZ6710*/DZ6700*
L3625	J0JCC0000168	FILTER	
L3801	J0JCC0000168	FILTER	
L3802	J0JCC0000168	FILTER	
L3803	J0JCC0000168	FILTER	
L3804	J0JCC0000168	FILTER	
L3805	J0JCC0000168	FILTER	
L3806	J0JCC0000168	FILTER	
L3807	J0JCC0000168	FILTER	
L3808	J0JCC0000168	FILTER	
L3809	J0JCC0000168	FILTER	
L3810	J0JCC0000168	FILTER	
L3811	J0JCC0000168	FILTER	
L3812	J0JCC0000168	FILTER	
L3813	J0JCC0000168	FILTER	
L3814	J0JCC0000168	FILTER	
L3815	J0JCC0000168	FILTER	
L3821	J0JCC0000168	FILTER	
L3822	J0JCC0000168	FILTER	
L3823	J0JCC0000168	FILTER	
L3824	J0JCC0000168	FILTER	
L3827	J0JCC0000168	FILTER	
L3828	J0JCC0000168	FILTER	
L3829	J0JCC0000168	FILTER	
L3831	J0JCC0000168	FILTER	
L3832	J0JCC0000168	FILTER	
L3833	J0JCC0000168	FILTER	
L3834	J0JCC0000168	FILTER	
L3835	J0JCC0000168	FILTER	
L3836	J0JCC0000168	FILTER	
L3837	J0JCC0000168	FILTER	
L3838	J0JCC0000168	FILTER	
L3861	J0JHC0000078	EMI FILTER	DZ6710*/DZ6700*
L3862	J0JHC0000078	EMI FILTER	DZ6710*/DZ6700*
L3863	J0JCC0000168	FILTER	
L3951	J0JHC0000078	EMI FILTER	DZ6710*/DZ6700*
L3952	J0JHC0000078	EMI FILTER	DZ6710*/DZ6700*
L3971	ELJFA6R8JFB	COIL	
L3991	J0JCC0000168	FILTER	DZ6710*/DZ6700*
L3992	J0JCC0000168	FILTER	DZ6710*/DZ6700*
L3993	J0JCC0000168	FILTER	DZ6710*/DZ6700*
L3994	J0JCC0000168	FILTER	DZ6710*/DZ6700*
L3995	J0JCC0000168	FILTER	DZ6710*/DZ6700*
L3996	J0JCC0000168	FILTER	DZ6710*/DZ6700*
L3997	J0JCC0000168	FILTER	DZ6710*/DZ6700*
L8201	G1C6N8ZA0061	CHIP COIL	DZ6710*
L8202	J0JHC0000078	EMI FILTER	DZ6710*
L8203	G1C5N6Z00019	CHIP COIL	DZ6710*
L8205	J0JHC0000078	EMI FILTER	DZ6710*
L8206	J0JHC0000078	EMI FILTER	DZ6710*
L8207	J0JHC0000078	EMI FILTER	DZ6710*
L8208	J0JHC0000078	EMI FILTER	DZ6710*
L8209	J0JJC0000022	EMI FILTER	DZ6710*
L8210	J0JHC0000078	EMI FILTER	DZ6710*
L8211	J0JCC0000238	FILTER	DZ6710*
L8212	J0JJC0000022	EMI FILTER	DZ6710*
L8213	J0JJC0000022	EMI FILTER	DZ6710*
L8214	J0JJC0000022	EMI FILTER	DZ6710*
L8501	J0JHC0000078	EMI FILTER	DZ6710*
L8502	J0JCC0000168	FILTER	DZ6710*
L8503	J0JCC0000168	FILTER	DZ6710*
L8504	J0JCC0000168	FILTER	DZ6710*

Ref. No.	Part No.	Part Name & Description	Remarks
L8507	J0JCC0000168	FILTER	DZ6710*
L8508	J0JCC0000168	FILTER	DZ6710*
L8509	J0JHC0000078	EMI FILTER	DZ6710*
L8511	J0JHC0000078	EMI FILTER	DZ6710*
L8512	J0JJC0000022	EMI FILTER	DZ6710*
L8513	J0JHC0000078	EMI FILTER	DZ6710*
L8514	G1C4R7MA0106	CHIP COIL	DZ6710*
L8515	G1A1R0H00001	SMD INDUCTOR	DZ6710*
L8516	J0JHC0000078	EMI FILTER	DZ6710*
L8517	J0JHC0000078	EMI FILTER	DZ6710*
L8518	J0JHC0000078	EMI FILTER	DZ6710*
L8519	J0JHC0000078	EMI FILTER	DZ6710*
L8520	J0JHC0000078	EMI FILTER	DZ6710*
L8521	J0JHC0000078	EMI FILTER	DZ6710*
L8522	J0JHC0000078	EMI FILTER	DZ6710*
L8523	J0JCC0000168	FILTER	DZ6710*
L8524	J0JCC0000168	FILTER	DZ6710*
L8525	J0JCC0000168	FILTER	DZ6710*
L8526	J0JCC0000168	FILTER	DZ6710*
L8527	J0JCC0000168	FILTER	DZ6710*
L8528	J0JCC0000168	FILTER	DZ6710*
L8529	J0JCC0000168	FILTER	DZ6710*
L8801	J0JCC0000168	FILTER	
L8802	J0JCC0000168	FILTER	
L8803	J0JCC0000168	FILTER	
L8804	J0JCC0000168	FILTER	
L8805	J0JCC0000168	FILTER	
L8806	J0JCC0000168	FILTER	
L8814	J0JCC0000168	FILTER	
L8820	J0JCC0000168	FILTER	
L8821	J0JCC0000168	FILTER	
L8822	J0JCC0000168	FILTER	
L8823	J0JCC0000168	FILTER	
L8824	J0JCC0000168	FILTER	
L8825	J0JCC0000168	FILTER	
L8826	J0JCC0000168	FILTER	
L8827	J0JCC0000168	FILTER	
L8828	J0JCC0000168	FILTER	
L8829	J0JCC0000168	FILTER	
L8830	J0JCC0000168	FILTER	
L8831	J0JCC0000168	FILTER	
L8832	J0JCC0000168	FILTER	
L8833	J0JCC0000168	FILTER	
L8834	J0JCC0000168	FILTER	
L8835	J0JCC0000168	FILTER	
L9603	G4BYA0000009	PULSE TRANS	(B-PCB)
L9950	J0JCC0000168	FILTER	
FL1701	J0HAYY000012	FILTER	
FL1702	J0HAYY000012	FILTER	
FL2001	ELKE103FA	EMI FILTER	
FL2501	J0HAAB000036	FILTER	
FL2502	J0HAAB000036	FILTER	
FL2591	F1J1E1040022	CAPACITOR	
FL3001	J0HABC000009	EMI FILTER	
FL3002	J0HABC000009	EMI FILTER	
FL3003	J0HABC000009	EMI FILTER	
FL3014	J0HABC000009	EMI FILTER	
FL3015	J0HABC000009	EMI FILTER	
FL3019	J0HABC000009	EMI FILTER	
FL3020	J0HABC000009	EMI FILTER	
FL3021	J0HABC000011	EMI FILTER	
FL3022	J0HABC000011	EMI FILTER	
FL3023	J0HABC000011	EMI FILTER	
FL3101	J0HABC000011	EMI FILTER	
FL3102	J0HABC000011	EMI FILTER	
FL3103	J0HABC000011	EMI FILTER	
FL3805	F1J1E1040022	CAPACITOR	
FL3810	F1J1E1040022	CAPACITOR	
FL3821	F1J1E1040022	CAPACITOR	
FL3901	F1J1E1040022	CAPACITOR	
FL3990	F1J1A1050020	CAPACITOR	DZ6710*/DZ6700*
FL3991	F1J1A1050020	CAPACITOR	DZ6710*/DZ6700*
FL3992	F1J1A1050020	CAPACITOR	DZ6710*/DZ6700*

Ref. No.	Part No.	Part Name & Description	Remarks
FL3993	F1J1A1050020	CAPACITOR	DZ6710*/DZ6700*
FL8201	F1J1A1050020	CAPACITOR	DZ6710*
FL8501	F1J1A1050020	CAPACITOR	DZ6710*
FL8502	F1J1A1050020	CAPACITOR	DZ6710*
FL8801	J0HAAB000036	FILTER	
FL8802	J0HAAB000036	FILTER	
FL8803	J0HAAB000036	FILTER	
FL8804	J0HAAB000036	FILTER	
FL8805	J0HAAB000036	FILTER	
FL8806	J0HAAB000036	FILTER	
FL8807	J0HAAB000036	FILTER	
FL8808	J0HAAB000036	FILTER	
FL8809	J0HAAB000036	FILTER	
FL9950	J0HAAB000036	FILTER	
FL9951	J0HAAB000036	FILTER	
FL9952	J0HAAB000036	FILTER	
FL9953	J0HAAB000036	FILTER	
FL9954	J0HAAB000036	FILTER	
		[RESISTORS]	
R1770	J0JBC0000086	EMI FILTER	
R1771	ERJ2GEJ220	M 22 OHM, 0.063W	
R1772	ERJ2GEJ220	M 22 OHM, 0.063W	
R1773	ERJ2GEJ220	M 22 OHM, 0.063W	
R1774	ERJ2GEJ220	M 22 OHM, 0.063W	
R1779	ERJ2GEJ103	M 10K OHM, 0.063W	
R1780	ERJ2GEJ220	M 22 OHM, 0.063W	
R1781	ERJ2GEJ220	M 22 OHM, 0.063W	
R1782	ERJ2GEJ332	M 3.3KOHM, 0.063W	
R1783	ERJ2GEJ332	M 3.3KOHM, 0.063W	
R1786	ERJ3GEY0R00	M 0 OHM, 1/16W	
R1800	ERJ2GE0R00	M 0 OHM, 0.063W	
R1802	ERJ3GEYJ103	M 10K OHM,J,1/16W	
R1803	ERJ3GEYJ103	M 10K OHM,J,1/16W	
R1804	ERJ3GEYJ103	M 10K OHM,J,1/16W	
R1806	ERJ3GEYJ103	M 10K OHM,J,1/16W	
R1807	ERJ3GEYJ103	M 10K OHM,J,1/16W	
R1810	ERJ2GEJ221	M 220 OHM, 0.063W	
R1812	ERJ2GEJ220	M 22 OHM, 0.063W	
R1813	ERJ2GEJ220	M 22 OHM, 0.063W	
R1826	ERJ2GEJ332	M 3.3KOHM, 0.063W	
R1828	ERJ2GE0R00	M 0 OHM, 0.063W	
R1851	ERJ3GEYJ472	M 4.7KOHM,J,1/16W	
R1852	EXB2HV560JV	RESISTOR ARRAY	
R1853	EXB2HV560JV	RESISTOR ARRAY	
R1854	ERJ2GEJ103	M 10K OHM, 0.063W	
R1858	ERJ2GEJ330	M 33 OHM, 0.063W	
R1859	EXB28V220J	RESISTOR ARRAY	
R1862	EXB28V220J	RESISTOR ARRAY	
R1863	ERJ2GEJ220	M 22 OHM, 0.063W	
R1864	ERJ2GEJ220	M 22 OHM, 0.063W	
R1865	ERJ2GEJ180	M 18 OHM, 0.063W	
R1866	ERJ2GEJ180	M 18 OHM, 0.063W	
R1867	ERJ2GEJ180	M 18 OHM, 0.063W	
R1868	ERJ2GEJ180	M 18 OHM, 0.063W	
R1869	ERJ2GEJ102	M 1K OHM, 0.063W	
R1870	ERJ2GEJ102	M 1K OHM, 0.063W	
R1871	EXB28V220J	RESISTOR ARRAY	
R1872	EXB28V220J	RESISTOR ARRAY	
R1873	EXB28V220J	RESISTOR ARRAY	
R1874	ERJ2GEJ102	M 1K OHM, 0.063W	
R1875	ERJ3EKF56R0V	RESISTOR	
R1879	ERJ2GEJ103	M 10K OHM, 0.063W	
R1880	ERJ2GEJ102	M 1K OHM, 0.063W	
R1881	ERJ2GEJ102	M 1K OHM, 0.063W	
R1883	ERJ3GEYJ472	M 4.7KOHM,J,1/16W	
R1884	ERJ3GEYJ473	M 47K OHM,J,1/16W	
R1885	EXB28V220J	RESISTOR ARRAY	
R1886	EXB28V220J	RESISTOR ARRAY	
R1888	EXB28V220J	RESISTOR ARRAY	
R1889	ERJ2GEJ220	M 22 OHM, 0.063W	
R1890	EXB28V103J	RESISTOR ARRAY	

Ref. No.	Part No.	Part Name & Description	Remarks
R1891	ERJ2GEJ103	M 10K OHM, 0.063W	
R1892	ERJ3EKF5621	M5.62KOHM, 1/16W	
R1893	ERJ3GEYJ103	M 10K OHM, J, 1/16W	
R1894	EXB28V220J	RESISTOR ARRAY	
R1895	ECJ0EC1H220J	CAPACITOR	
R1896	ECJ0EC1H560J	CAPACITOR	
R1898	ERJ3GEYJ103	M 10K OHM, J, 1/16W	
R1899	EXB28V220J	RESISTOR ARRAY	
R1900	EXB28V103J	RESISTOR ARRAY	
R1901	ERJ3GEYJ103	M 10K OHM, J, 1/16W	
R1902	ERJ3GEYJ103	M 10K OHM, J, 1/16W	
R1903	ERJ2GEJ332	M 3.3KOHM, 0.063W	
R1905	ERJ2GEJ102	M 1K OHM, 0.063W	
R1907	EXB28V103J	RESISTOR ARRAY	
R1908	ERJ3GEYJ103	M 10K OHM, J, 1/16W	
R1909	ERJ3EKF3161	RESISTOR	
R1910	ERJ3EKF3161	RESISTOR	
R1912	ERJ3GEYJ103	M 10K OHM, J, 1/16W	
R1913	ERJ3GEYJ103	M 10K OHM, J, 1/16W	
R1914	ERJ3GEYJ103	M 10K OHM, J, 1/16W	
R1921	ERJ3GEYJ102	M 1K OHM, J, 1/16W	
R1923	ERJ2GEJ102	M 1K OHM, 0.063W	
R1924	ERJ2GEJ332	M 3.3KOHM, 0.063W	
R1925	ERJ2GEJ102	M 1K OHM, 0.063W	
R1928	ERJ2GEJ102	M 1K OHM, 0.063W	
R1929	ERJ2GEJ102	M 1K OHM, 0.063W	
R1930	EXB28V560J	RESISTOR ARRAY	
R1931	ERJ2GE0R00	M 0 OHM, 0.063W	
R1933	ERJ2GE0R00	M 0 OHM, 0.063W	
R1935	ERJ3GEYJ103	M 10K OHM, J, 1/16W	
R1937	ERJ3GEYJ103	M 10K OHM, J, 1/16W	
R1938	ERJ3GEYJ472	M 4.7KOHM, J, 1/16W	
R1939	ERJ3GEYJ105	M 1M OHM, J, 1/16W	
R1940	ERJ3EKF3010	RESISTOR	
R1942	ERJ3GEYJ221	M 220 OHM, J, 1/16W	
R1943	ERJ3GEYJ101	M 100 OHM, J, 1/16W	
R1944	ERJ3GEYJ103	M 10K OHM, J, 1/16W	
R1945	ERJ3GEYJ103	M 10K OHM, J, 1/16W	
R1946	ERJ3GEYJ473	M 47K OHM, J, 1/16W	
R1947	ERJ2GEJ102	M 1K OHM, 0.063W	
R1951	ERJ2GEJ102	M 1K OHM, 0.063W	
R1955	ERJ3GEYJ391	M 390 OHM, J, 1/16W	
R1962	ERJ2GE0R00	M 0 OHM, 0.063W	
R1963	ERJ2GEJ102	M 1K OHM, 0.063W	
R1964	ERJ3GEYJ103	M 10K OHM, J, 1/16W	
R1965	ERJ3GEYJ103	M 10K OHM, J, 1/16W	
R1970	ERJ3GEYJ750	METAL OXIDE RESISTOR	
R1971	ERJ3GEYJ750	METAL OXIDE RESISTOR	
R1972	ERJ3GEYJ103	M 10K OHM, J, 1/16W	
R1973	ERJ3GEYJ103	M 10K OHM, J, 1/16W	
R1975	ERJ2GE0R00	M 0 OHM, 0.063W	
R1976	EXB2HV560JV	RESISTOR ARRAY	
R1977	ERJ2GE0R00	M 0 OHM, 0.063W	
R1978	ERJ2GEJ220	M 22 OHM, 0.063W	
R1979	ERJ2GEJ220	M 22 OHM, 0.063W	
R1980	ERJ2GEJ220	M 22 OHM, 0.063W	
R1981	EXB28V220J	RESISTOR ARRAY	
R1982	ERJ2GEJ470	M 47 OHM, 0.063W	
R1983	EXB28V220J	RESISTOR ARRAY	
R1984	ERJ2GE0R00	M 0 OHM, 0.063W	
R1985	ERJ3GEYJ220	M 22 OHM, J, 1/16W	
R1989	ERJ3GEY0R00	M 0 OHM, 1/16W	
R1990	ERJ3GEY0R00	M 0 OHM, 1/16W	
R1994	ERJ3EKF3161	RESISTOR	
R1995	ERJ3EKF3161	RESISTOR	
R1999	ERJ2GE0R00	M 0 OHM, 0.063W	
R2002	ERJ3GEYJ220	M 22 OHM, J, 1/16W	
R2003	ERJ6GEY0R00	M 0 OHM, J, 1/10W	
R2005	ERJ6GEY0R00	M 0 OHM, J, 1/10W	
R2007	ERJ3GEYJ331	M 330 OHM, J, 1/16W	
R2008	ERJ3GEYJ331	M 330 OHM, J, 1/16W	

Ref. No.	Part No.	Part Name & Description	Remarks
R2009	ERJ3EKF49R9	RESISTOR	
R2010	ERJ3EKF49R9	RESISTOR	
R2011	ERJ3EKF49R9	RESISTOR	
R2012	ERJ3EKF49R9	RESISTOR	
R2018	ERJ3GEYJ272	M 2.7KOHMJ, J1/16W	
R2020	ERJ3EKF6491	RESISTOR	
R2058	ERJ2GE0R00	M 0 OHM, 0.063W	
R2059	ERJ2GE0R00	M 0 OHM, 0.063W	
R2060	ERJ2GEJ220	M 22 OHM, 0.063W	
R2061	ERJ2GEJ220	M 22 OHM, 0.063W	
R2063	ERJ2GEJ220	M 22 OHM, 0.063W	
R2064	ERJ2GEJ220	M 22 OHM, 0.063W	
R2065	ERJ2GEJ220	M 22 OHM, 0.063W	
R2066	ERJ3GEYJ152	M 1.5KOHM, J, 1/16W	
R2068	ERJ3GEYJ220	M 22 OHM, J, 1/16W	
R2070	ERJ2GEJ220	M 22 OHM, 0.063W	
R2071	ERJ2GEJ220	M 22 OHM, 0.063W	
R2072	ERJ2GEJ220	M 22 OHM, 0.063W	
R2078	ERJ3GEYJ220	M 22 OHM, J, 1/16W	
R2079	ERJ2GEJ220	M 22 OHM, 0.063W	
R2081	ERJ3GEYJ101	M 100 OHM, J, 1/16W	
R2082	ERJ2GEJ220	M 22 OHM, 0.063W	
R2083	ERJ3GEYJ103	M 10K OHM, J, 1/16W	
R2085	EXB38V103J	RESISTOR ARRAY	
R2086	ERJ2GE0R00	M 0 OHM, 0.063W	
R2088	ERJ2GEJ220	M 22 OHM, 0.063W	
R2204	ERJ3GEYJ220	M 22 OHM, J, 1/16W	
R2213	ERJ2GE0R00	M 0 OHM, 0.063W	
R2250	ERJ2GEJ220	M 22 OHM, 0.063W	DW6300*/D6000*
R2251	ERJ2GE0R00	M 0 OHM, 0.063W	
R2252	ERJ2GE0R00	M 0 OHM, 0.063W	
R2253	ERJ2GE0R00	M 0 OHM, 0.063W	
R2254	EXB2HV560JV	RESISTOR ARRAY	DW6300*/D6000*
R2255	EXB2HV560JV	RESISTOR ARRAY	DW6300*/D6000*
R2256	EXB2HV560JV	RESISTOR ARRAY	DW6300*/D6000*
R2257	ERJ2GEJ220	M 22 OHM, 0.063W	DW6300*/D6000*
R2258	ERJ2GEJ220	M 22 OHM, 0.063W	DW6300*/D6000*
R2401	ERJ3GEYJ471	M 470 OHM, J, 1/16W	
R2403	ERJ2GEJ220	M 22 OHM, 0.063W	
R2404	ERJ2GEJ220	M 22 OHM, 0.063W	
R2405	ERJ3GEYJ473	M 47K OHM, J, 1/16W	
R2406	ERJ3GEYJ473	M 47K OHM, J, 1/16W	
R2407	ERJ3GEYJ472	M 4.7KOHM, J, 1/16W	
R2408	EXB38V220J	RESISTOR ARRAY	
R2409	ERJ3GEYJ272	M 2.7KOHMJ, J1/16W	
R2412	ERJ3GEYJ220	M 22 OHM, J, 1/16W	
R2413	ERJ3GEYJ220	M 22 OHM, J, 1/16W	
R2414	ERJ3GEYJ220	M 22 OHM, J, 1/16W	
R2415	ERJ3GEYJ220	M 22 OHM, J, 1/16W	
R2416	ERJ3GEYJ220	M 22 OHM, J, 1/16W	
R2417	ERJ3GEYJ473	M 47K OHM, J, 1/16W	
R2418	ERJ3GEYJ473	M 47K OHM, J, 1/16W	
R2419	ERJ3GEYJ473	M 47K OHM, J, 1/16W	
R2420	ERJ3EKF2201	RESISTOR	
R2421	ERJ3EKF2201	RESISTOR	
R2422	ERJ3EKF2201	RESISTOR	
R2423	ERJ3EKF2201	RESISTOR	
R2424	ERJ3GEYJ220	M 22 OHM, J, 1/16W	
R2425	ERJ3GEYJ220	M 22 OHM, J, 1/16W	
R2426	ERJ2GEJ220	M 22 OHM, 0.063W	
R2428	ERJ3GEYJ472	M 4.7KOHM, J, 1/16W	
R2429	ERJ3GEYJ473	M 47K OHM, J, 1/16W	
R2430	ERJ3GEYJ472	M 4.7KOHM, J, 1/16W	
R2431	ERJ3GEYJ220	M 22 OHM, J, 1/16W	
R2432	ERJ3GEYJ220	M 22 OHM, J, 1/16W	
R2433	ERJ3GEYJ220	M 22 OHM, J, 1/16W	
R2434	ERJ3GEYJ220	M 22 OHM, J, 1/16W	
R2435	ERJ3GEYJ220	M 22 OHM, J, 1/16W	
R2436	ERJ3GEYJ473	M 47K OHM, J, 1/16W	
R2501	ERJ3GEYJ563	M 56KOHM, J, 1/16W	
R2502	ERJ3GEYJ563	M 56KOHM, J, 1/16W	
R2503	ERJ3GEYJ472	M 4.7KOHM, J, 1/16W	
R2504	ERJ1TYJ221	M 220 OHM, 1W	

Ref. No.	Part No.	Part Name & Description	Remarks
R2505	ERJ1TYJ221	M 220 OHM, 1W	
R2506	ERJ3GEYJ103	M 10K OHM, J, 1/16W	
R2507	ERJ12YJ331	RESISTOR	
R2508	ERJ12YJ331	RESISTOR	
R2509	ERJ3GEYJ100	M 10 OHM, J, 1/16W	
R2510	ERJ3GEYJ103	M 10K OHM, J, 1/16W	
R2511	ERJ3GEYJ563	M 56KOHM, J, 1/16W	
R2512	ERJ3GEYJ563	M 56KOHM, J, 1/16W	
R2513	ERJ3GEYJ563	M 56KOHM, J, 1/16W	
R2514	ERJ3GEYJ102	M 1K OHM, J, 1/16W	
R2515	ERJ3GEYJ102	M 1K OHM, J, 1/16W	
R2516	ERJ3GEYJ102	M 1K OHM, J, 1/16W	
R2517	ERJ3GEYJ102	M 1K OHM, J, 1/16W	
R2518	ERJ3GEYJ102	M 1K OHM, J, 1/16W	
R2519	ERJ3GEYJ473	M 47K OHM, J, 1/16W	
R2520	ERJ3GEYJ473	M 47K OHM, J, 1/16W	
R2531	ERJ3EKF4701	M 4.7KOHM, 0.063W	
R2532	ERJ3EKF2001	RESISTOR	
R2533	ERJ3EKF2201	RESISTOR	
R2534	ERJ3GEYJ560	M 56 OHM, J, 1/16W	
R2535	ERJ3GEYJ562	M 5.6KOHM, J, 1/16W	
R2536	ERJ3EKF4701	M 4.7KOHM, 0.063W	
R2537	ERJ3EKF2001	RESISTOR	
R2538	ERJ3EKF2201	RESISTOR	
R2539	ERJ3GEYJ560	M 56 OHM, J, 1/16W	
R2540	ERJ3GEYJ562	M 5.6KOHM, J, 1/16W	
R2541	ERJ3EKF4701	M 4.7KOHM, 0.063W	
R2542	ERJ3EKF2001	RESISTOR	
R2543	ERJ3EKF2201	RESISTOR	
R2544	ERJ3GEYJ560	M 56 OHM, J, 1/16W	
R2545	ERJ3GEYJ562	M 5.6KOHM, J, 1/16W	
R2546	ERJ3EKF4701	M 4.7KOHM, 0.063W	
R2547	ERJ3EKF2001	RESISTOR	
R2548	ERJ3EKF2201	RESISTOR	
R2549	ERJ3GEYJ560	M 56 OHM, J, 1/16W	
R2550	ERJ3GEYJ562	M 5.6KOHM, J, 1/16W	
R2551	ERJ3EKF4701	M 4.7KOHM, 0.063W	
R2552	ERJ3EKF2001	RESISTOR	
R2553	ERJ3EKF2201	RESISTOR	
R2554	ERJ3GEYJ560	M 56 OHM, J, 1/16W	
R2555	ERJ3GEYJ562	M 5.6KOHM, J, 1/16W	
R2556	ERJ3EKF4701	M 4.7KOHM, 0.063W	
R2557	ERJ3EKF2001	RESISTOR	
R2558	ERJ3EKF2201	RESISTOR	
R2559	ERJ3GEYJ560	M 56 OHM, J, 1/16W	
R2560	ERJ3GEYJ562	M 5.6KOHM, J, 1/16W	
R2561	ERJ3EKF4701	M 4.7KOHM, 0.063W	
R2562	ERJ3EKF2001	RESISTOR	
R2563	ERJ3EKF2201	RESISTOR	
R2564	ERJ3GEYJ560	M 56 OHM, J, 1/16W	
R2565	ERJ3GEYJ562	M 5.6KOHM, J, 1/16W	
R2566	ERJ3EKF4701	M 4.7KOHM, 0.063W	
R2567	ERJ3EKF2001	RESISTOR	
R2568	ERJ3EKF2201	RESISTOR	
R2569	ERJ3GEYJ560	M 56 OHM, J, 1/16W	
R2570	ERJ3GEYJ562	M 5.6KOHM, J, 1/16W	
R2571	ERJ3EKF6201	RESISTOR	
R2572	ERJ3EKF2201	RESISTOR	
R2574	ERJ3GEYJ560	M 56 OHM, J, 1/16W	
R2575	ERJ3GEYJ562	M 5.6KOHM, J, 1/16W	
R2576	ERJ3GEYJ220	M 22 OHM, J, 1/16W	
R2577	ERJ3EKF2001	RESISTOR	
R2578	ERJ3EKF2201	RESISTOR	
R2579	ERJ3GEYJ220	M 22 OHM, J, 1/16W	
R2580	ERJ3EKF6201	RESISTOR	
R2581	ERJ3EKF2201	RESISTOR	
R2582	ERJ3GEY0R00	M 0 OHM, 1/16W	
R2583	ERJ3GEY0R00	M 0 OHM, 1/16W	
R2584	ERJ3GEY0R00	M 0 OHM, 1/16W	
R2585	ERJ3GEY0R00	M 0 OHM, 1/16W	
R2586	ERJ3GEY0R00	M 0 OHM, 1/16W	
R2593	ERJ3GEYJ392	M 3.9KOHM, J, 1/16W	
R2594	ERJ3GEYJ102	M 1K OHM, J, 1/16W	

Ref. No.	Part No.	Part Name & Description	Remarks
R2599	ERJ3EKF2200	M 220 OHM, 1/16W	
R2600	ERJ3EKF8200V	RESISTOR	
R2601	D1BZ2700A012	RESISTOR	
R2602	ERJ3EKF8201	RESISTOR	
R2603	ERJ3EKF8201	RESISTOR	
R2604	ERJ3EKF2701	M 2.7KOHM, 1/16W	
R2605	ERJ3EKF2701	M 2.7KOHM, 1/16W	
R2606	ERJ2GEJ332	M 3.3KOHM, 0.063W	
R2607	ERJ2GEJ332	M 3.3KOHM, 0.063W	
R2608	ERJ2GEJ560	M 56 OHM, 0.063W	
R2609	ERJ2GEJ560	M 56 OHM, 0.063W	
R2610	ERJ3GEYJ472	M 4.7KOHM, J, 1/16W	
R2611	ERJ2GEJ220	M 22 OHM, 0.063W	
R2612	EXB28V472J	RESISTOR ARRAY	
R2613	EXB28V222J	RESISTOR ARRAY	
R2614	EXB28V102J	RESISTOR ARRAY	
R2615	EXB28V220J	RESISTOR ARRAY	
R2616	EXB28V220J	RESISTOR ARRAY	DW6300*/D6000*
R2617	EXB28V102J	RESISTOR ARRAY	
R2618	EXB28V220J	RESISTOR ARRAY	DZ6710*/DZ6700*
R2618	EXB28V102J	RESISTOR ARRAY	DW6300*/D6000*
R2619	EXB28V222J	RESISTOR ARRAY	
R2620	ERJ3GEYJ473	M 47K OHM, J, 1/16W	
R2621	ERJ3GEYJ331	M 330 OHM, J, 1/16W	
R2630	EXB28V102J	RESISTOR ARRAY	
R2631	EXB28V102J	RESISTOR ARRAY	DZ6710*/DZ6700*
R3001	ERJ6GENF75R0	M 75 OHM, 1/10W	
R3002	ERJ3GEYJ472	M 4.7KOHM, J, 1/16W	
R3003	ERJ3GEYJ562	M 5.6KOHM, J, 1/16W	
R3004	ERJ3GEYJ560	M 56 OHM, J, 1/16W	
R3005	ERJ3GEYJ471	M 470 OHM, J, 1/16W	
R3010	ERJ3GEYJ102	M 1K OHM, J, 1/16W	
R3011	ERJ3GEYJ104	M 100KOHM, J, 1/16W	
R3012	ERJ3GEYJ103	M 10K OHM, J, 1/16W	
R3013	ERJ3GEYJ332	M 3.3KOHM, J, 1/16W	
R3014	ERJ3GEYJ682	M 6.8KOHM, J, 1/16W	
R3015	ERJ6GENF75R0	M 75 OHM, 1/10W	
R3016	ERJ3GEYJ103	M 10K OHM, J, 1/16W	
R3017	ERJ3GEYJ103	M 10K OHM, J, 1/16W	
R3018	ERJ3GEYJ560	M 56 OHM, J, 1/16W	
R3019	ERJ3GEYJ471	M 470 OHM, J, 1/16W	
R3020	ERJ6GENF75R0	M 75 OHM, 1/10W	
R3021	ERJ3GEYJ472	M 4.7KOHM, J, 1/16W	
R3022	ERJ3GEYJ562	M 5.6KOHM, J, 1/16W	
R3023	ERJ3GEYJ560	M 56 OHM, J, 1/16W	
R3024	ERJ3GEYJ471	M 470 OHM, J, 1/16W	
R3030	ERJ3GEYJ472	M 4.7KOHM, J, 1/16W	
R3031	ERJ3GEYJ472	M 4.7KOHM, J, 1/16W	
R3032	ERJ3GEYJ472	M 4.7KOHM, J, 1/16W	
R3033	ERJ3GEYJ331	M 330 OHM, J, 1/16W	
R3034	ERJ3GEYJ331	M 330 OHM, J, 1/16W	
R3039	ERJ3GEYJ472	M 4.7KOHM, J, 1/16W	
R3040	ERJ3GEYJ101	M 100 OHM, J, 1/16W	
R3041	ERJ6GEYJ271	M 270 OHM, J, 1/10W	
R3043	ERJ3GEYJ472	M 4.7KOHM, J, 1/16W	
R3044	ERJ3GEYJ472	M 4.7KOHM, J, 1/16W	
R3045	ERJ3GEYJ3R3	M 3.3 OHM, J, 1/16W	
R3046	ERJ3GEYJ3R3	M 3.3 OHM, J, 1/16W	
R3051	ERJ6GEYJ271	M 270 OHM, J, 1/10W	
R3053	ERJ3GEYJ472	M 4.7KOHM, J, 1/16W	
R3054	ERJ3GEYJ472	M 4.7KOHM, J, 1/16W	
R3055	ERJ3GEYJ3R3	M 3.3 OHM, J, 1/16W	
R3056	ERJ3GEYJ3R3	M 3.3 OHM, J, 1/16W	
R3061	ERJ6GEYJ102	M 1K OHM, J, 1/10W	
R3062	ERJ6GEYJ102	M 1K OHM, J, 1/10W	
R3063	ERJ3GEYJ472	M 4.7KOHM, J, 1/16W	
R3064	ERJ3GEYJ472	M 4.7KOHM, J, 1/16W	
R3065	ERJ3GEYJ3R3	M 3.3 OHM, J, 1/16W	
R3066	ERJ3GEYJ3R3	M 3.3 OHM, J, 1/16W	
R3071	ERJ6GEYJ102	M 1K OHM, J, 1/10W	
R3072	ERJ6GEYJ102	M 1K OHM, J, 1/10W	
R3073	ERJ3GEYJ472	M 4.7KOHM, J, 1/16W	
R3074	ERJ3GEYJ472	M 4.7KOHM, J, 1/16W	

Ref. No.	Part No.	Part Name & Description	Remarks
R3075	ERJ3GEYJ3R3	M 3.3 OHM, J, 1/16W	
R3076	ERJ3GEYJ3R3	M 3.3 OHM, J, 1/16W	
R3079	ERJ3EKF1501	RESISTOR	DW6300*/D6000*
R3080	ERJ3GEYJ472	M 4.7KOHM, J, 1/16W	
R3081	ERJ3GEYJ101	M 100 OHM, J, 1/16W	
R3083	ERJ3GEYJ105	M 1M OHM, J, 1/16W	
R3084	ERJ3GEYJ102	M 1K OHM, J, 1/16W	
R3085	ERJ3GEYJ561	M 560 OHM, J, 1/16W	
R3086	ERJ3GEYJ471	M 470 OHM, J, 1/16W	
R3087	ERJ3GEYJ331	M 330 OHM, J, 1/16W	
R3088	ERJ3GEYJ102	M 1K OHM, J, 1/16W	
R3089	ERJ3GEYJ471	M 470 OHM, J, 1/16W	
R3090	ERJ3GEYJ220	M 22 OHM, J, 1/16W	
R3091	ERJ3GEYJ101	M 100 OHM, J, 1/16W	
R3093	ERJ3GEYJ105	M 1M OHM, J, 1/16W	
R3094	ERJ3GEYJ332	M 3.3KOHM, J, 1/16W	
R3095	ERJ3GEYJ331	M 330 OHM, J, 1/16W	
R3096	ERJ3GEYJ471	M 470 OHM, J, 1/16W	
R3097	ERJ3GEYJ180	M 18 OHM, J, 1/16W	DZ6710*/DZ6700*
R3097	ERJ3GEYJ220	M 22 OHM, J, 1/16W	DW6300*/D6000*
R3098	ERJ3GEYJ331	M 330 OHM, J, 1/16W	
R3099	ERJ3GEYJ471	M 470 OHM, J, 1/16W	
R3101	ERJ3GEYJ101	M 100 OHM, J, 1/16W	
R3103	ERJ3GEYJ105	M 1M OHM, J, 1/16W	
R3104	ERJ3GEYJ102	M 1K OHM, J, 1/16W	
R3105	ERJ3GEYJ561	M 560 OHM, J, 1/16W	
R3106	ERJ3GEYJ471	M 470 OHM, J, 1/16W	
R3107	ERJ3GEYJ331	M 330 OHM, J, 1/16W	
R3108	ERJ3GEYJ102	M 1K OHM, J, 1/16W	
R3109	ERJ3GEYJ471	M 470 OHM, J, 1/16W	
R3111	ERJ3GEYJ101	M 100 OHM, J, 1/16W	
R3113	ERJ3GEYJ105	M 1M OHM, J, 1/16W	
R3114	ERJ3GEYJ332	M 3.3KOHM, J, 1/16W	
R3115	ERJ3GEYJ331	M 330 OHM, J, 1/16W	
R3116	ERJ3GEYJ471	M 470 OHM, J, 1/16W	
R3117	ERJ3GEYJ180	M 18 OHM, J, 1/16W	DZ6710*/DZ6700*
R3117	ERJ3GEYJ220	M 22 OHM, J, 1/16W	DW6300*/D6000*
R3118	ERJ3GEYJ331	M 330 OHM, J, 1/16W	
R3119	ERJ3GEYJ471	M 470 OHM, J, 1/16W	
R3120	ERJ6ENF36R0	RESISTOR	
R3121	ERJ6ENF1130	RESISTOR	DZ6710*/DZ6700*
R3121	ERJ8ENF1500	RESISTOR	DW6300*/D6000*
R3122	ERJ6ENF36R0	RESISTOR	DZ6710*/DZ6700*
R3123	ERJ6ENF1130	RESISTOR	DZ6710*/DZ6700*
R3123	ERJ8ENF1500	RESISTOR	DW6300*/D6000*
R3124	ERJ6ENF36R0	RESISTOR	DZ6710*/DZ6700*
R3125	ERJ6ENF1130	RESISTOR	DZ6710*/DZ6700*
R3125	ERJ8ENF1500	RESISTOR	DW6300*/D6000*
R3126	ERJ3GEYJ101	M 100 OHM, J, 1/16W	DW6300*/D6000*
R3127	ERJ3GEYOR00	M 0 OHM, 1/16W	DZ6710*/DZ6700*
R3128	ERJ3GEYOR00	M 0 OHM, 1/16W	DZ6710*/DZ6700*
R3129	ERJ3GEYOR00	M 0 OHM, 1/16W	DZ6710*/DZ6700*
R3129	ERJ3GEYJ101	M 100 OHM, J, 1/16W	DW6300*/D6000*
R3130	ERJ3GEYOR00	M 0 OHM, 1/16W	DZ6710*/DZ6700*
R3130	ERJ3GEYJ101	M 100 OHM, J, 1/16W	DW6300*/D6000*
R3131	ERJ3GEYOR00	M 0 OHM, 1/16W	
R3132	ERJ3GEYOR00	M 0 OHM, 1/16W	DZ6710*/DZ6700*
R3133	ERJ3GEYOR00	M 0 OHM, 1/16W	
R3134	ERJ3GEYOR00	M 0 OHM, 1/16W	
R3135	ERJ6ENF36R0	RESISTOR	DZ6710*/DZ6700*
R3136	ERJ6ENF1130	RESISTOR	DZ6710*/DZ6700*
R3136	ERJ8ENF1500	RESISTOR	DW6300*/D6000*
R3137	ERJ6ENF36R0	RESISTOR	DZ6710*/DZ6700*
R3138	ERJ6ENF1130	RESISTOR	DZ6710*/DZ6700*
R3138	ERJ8ENF1500	RESISTOR	DW6300*/D6000*
R3139	ERJ6ENF36R0	RESISTOR	DZ6710*/DZ6700*
R3140	ERJ6ENF1130	RESISTOR	DZ6710*/DZ6700*
R3140	ERJ8ENF1500	RESISTOR	DW6300*/D6000*
R3200	ERJ3GEYJ222	M 2.2KOHM, J, 1/16W	DW6300*/D6000*
R3201	ERJ2GEJ101	M 100 OHM, 0.063W	DZ6710*/DZ6700*
R3201	ERJ3GEYJ222	M 2.2KOHM, J, 1/16W	DW6300*/D6000*
R3202	ERJ2GEJ101	M 100 OHM, 0.063W	DZ6710*/DZ6700*
R3202	ERJ2GEJ220	M 22 OHM, 0.063W	DW6300*/D6000*

Ref. No.	Part No.	Part Name & Description	Remarks
R3203	ERJ2GEJ101	M 100 OHM, 0.063W	DZ6710*/DZ6700*
R3203	ERJ2GEJ220	M 22 OHM, 0.063W	DW6300*/D6000*
R3204	ERJ2GEJ101	M 100 OHM, 0.063W	DZ6710*/DZ6700*
R3204	ERJ3EKF1371	RESISTOR	DW6300*/D6000*
R3205	ERJ3GEYJ221	M 220 OHM, J, 1/16W	DZ6710*/DZ6700*
R3205	ERJ3GEYJ101	M 100 OHM, J, 1/16W	DW6300*/D6000*
R3206	ERJ2GEJ102	M 1K OHM, 0.063W	
R3208	ERJ3EKF1600	RESISTOR	DW6300*/D6000*
R3209	ERJ3GEYJ331	M 330 OHM, J, 1/16W	DZ6710*/DZ6700*
R3210	ERJ3EKF1691	RESISTOR	DW6300*/D6000*
R3211	DIHG5608A002	RESISTOR	
R3213	ERJ2GEJ560	M 56 OHM, 0.063W	DZ6710*/DZ6700*
R3214	DIHG5608A002	RESISTOR	DZ6710*/DZ6700*
R3214	EXB28V560J	RESISTOR ARRAY	DW6300*/D6000*
R3215	ERJ3GEYOR00	M 0 OHM, 1/16W	DZ6710*/DZ6700*
R3215	DIHG5608A002	RESISTOR	DW6300*/D6000*
R3216	ERJ2GEJ560	M 56 OHM, 0.063W	DZ6710*/DZ6700*
R3217	ERJ3GEYJ470	M 47 OHM, J, 1/16W	DZ6710*/DZ6700*
R3217	ERJ3GEYJ100	M 10 OHM, J, 1/16W	DW6300*/D6000*
R3218	DIHG5608A002	RESISTOR	
R3219	EXB28V560J	RESISTOR ARRAY	DW6300*/D6000*
R3220	ERJ2GEJ560	M 56 OHM, 0.063W	DZ6710*/DZ6700*
R3221	EXB28V560J	RESISTOR ARRAY	
R3223	ERJ2GEJ220	M 22 OHM, 0.063W	
R3224	ERJ2GEJ220	M 22 OHM, 0.063W	
R3225	ERJ3EKF4990	RESISTOR	
R3227	ERJ2GEJ560	M 56 OHM, 0.063W	DZ6710*/DZ6700*
R3228	ERJ2GEJ560	M 56 OHM, 0.063W	DZ6710*/DZ6700*
R3229	ERJ2GEJ560	M 56 OHM, 0.063W	DZ6710*/DZ6700*
R3231	ERJ3GEYJ470	M 47 OHM, J, 1/16W	
R3232	ERJ3GEYJ102	M 1K OHM, J, 1/16W	
R3233	ERJ3GEYJ223	M 22K OHM, J, 1/16W	
R3234	ERJ3GEYJ103	M 10K OHM, J, 1/16W	
R3235	ERJ3GEYJ472	M 4.7KOHM, J, 1/16W	
R3236	ERJ3GEYJ472	M 4.7KOHM, J, 1/16W	
R3241	ERJ3GEYJ472	M 4.7KOHM, J, 1/16W	
R3242	ERJ3GEYJ472	M 4.7KOHM, J, 1/16W	
R3243	ERJ3GEYJ472	M 4.7KOHM, J, 1/16W	
R3244	ERJ3GEYJ472	M 4.7KOHM, J, 1/16W	
R3245	ERJ3GEYJ472	M 4.7KOHM, J, 1/16W	
R3246	ERJ3GEYJ472	M 4.7KOHM, J, 1/16W	
R3247	ERJ3GEYJ101	M 100 OHM, J, 1/16W	
R3248	ERJ3GEYJ472	M 4.7KOHM, J, 1/16W	
R3249	ERJ3GEYJ472	M 4.7KOHM, J, 1/16W	
R3257	ERJ3GEYOR00	M 0 OHM, 1/16W	
R3274	ERJ3GEYJ470	M 47 OHM, J, 1/16W	DW6300*/D6000*
R3275	ERJ3GEYJ102	M 1K OHM, J, 1/16W	DW6300*/D6000*
R3301	ERJ6ENF36R0	RESISTOR	DZ6710*/DZ6700*
R3301	ERJ8ENF1500	RESISTOR	DW6300*/D6000*
R3302	ERJ6ENF1130	RESISTOR	DZ6710*/DZ6700*
R3302	ERJ8ENF1500	RESISTOR	DW6300*/D6000*
R3303	ERJ6ENF36R0	RESISTOR	DZ6710*/DZ6700*
R3303	ERJ8ENF1500	RESISTOR	DW6300*/D6000*
R3304	ERJ6ENF1130	RESISTOR	DZ6710*/DZ6700*
R3304	ERJ8ENF1500	RESISTOR	DW6300*/D6000*
R3305	ERJ6ENF36R0	RESISTOR	DZ6710*/DZ6700*
R3305	ERJ8ENF1500	RESISTOR	DW6300*/D6000*
R3306	ERJ6ENF1130	RESISTOR	DZ6710*/DZ6700*
R3306	ERJ8ENF1500	RESISTOR	DW6300*/D6000*
R3307	ERJ2GEJ220	M 22 OHM, 0.063W	DW6300*/D6000*
R3308	ERJ2GEJ101	M 100 OHM, 0.063W	DZ6710*/DZ6700*
R3308	ERJ2GEJ220	M 22 OHM, 0.063W	DW6300*/D6000*
R3309	ERJ2GEJ101	M 100 OHM, 0.063W	
R3310	ERJ2GEJ101	M 100 OHM, 0.063W	
R3311	ERJ2GEJ101	M 100 OHM, 0.063W	
R3312	ERJ2GEJ101	M 100 OHM, 0.063W	
R3313	ERJ2GEJ101	M 100 OHM, 0.063W	DZ6710*/DZ6700*
R3313	ERJ3GEYJ101	M 100 OHM, J, 1/16W	DW6300*/D6000*
R3314	ERJ2GEJ101	M 100 OHM, 0.063W	DZ6710*/DZ6700*
R3314	ERJ3GEYJ101	M 100 OHM, J, 1/16W	DW6300*/D6000*
R3315	ERJ2GEJ101	M 100 OHM, 0.063W	DZ6710*/DZ6700*
R3315	ERJ3GEYJ101	M 100 OHM, J, 1/16W	DW6300*/D6000*
R3316	ERJ3GEYJ330	M 33 OHM, J, 1/16W	DZ6710*/DZ6700*

Ref. No.	Part No.	Part Name & Description	Remarks
R3316	ERJ3GEYJ101	M 100 OHM,J,1/16W	DW6300*/D6000*
R3317	ERJ3GEYJ330	M 33 OHM,J,1/16W	DZ6710*/DZ6700*
R3317	ERJ3GEYJ101	M 100 OHM,J,1/16W	DW6300*/D6000*
R3318	ERJ3GEYJ101	M 100 OHM,J,1/16W	
R3319	ERJ3EKF1501	M 1.5KOHM, 1/16W	
R3321	EXB28V220J	RESISTOR ARRAY	
R3322	EXB28V560J	RESISTOR ARRAY	
R3323	D1HG5608A002	RESISTOR	
R3324	D1HG5608A002	RESISTOR	
R3325	EXB28V560J	RESISTOR ARRAY	
R3326	D1HG5608A002	RESISTOR	
R3327	ERJ3GEYJ100	M 10 OHM,J,1/16W	
R3328	ERJ3EKF1691	M1.69KOHM, 1/16W	
R3329	ERJ3EKF1600	RESISTOR	
R3330	ERJ3GEYJ221	M 220 OHM,J,1/16W	DZ6710*/DZ6700*
R3330	ERJ3GEYJ101	M 100 OHM,J,1/16W	DW6300*/D6000*
R3332	ERJ2GEJ102	M 1K OHM, 0.063W	DW6300*/D6000*
R3333	ERJ3EKF1371	M 1.37KOHM,0.063W	
R3334	ERJ2GEJ102	M 1K OHM, 0.063W	
R3335	ERJ6ENF36R0	RESISTOR	DZ6710*/DZ6700*
R3336	ERJ6ENF1130	RESISTOR	DZ6710*/DZ6700*
R3337	ERJ6ENF36R0	RESISTOR	DZ6710*/DZ6700*
R3338	ERJ6ENF1130	RESISTOR	DZ6710*/DZ6700*
R3339	ERJ6ENF36R0	RESISTOR	DZ6710*/DZ6700*
R3340	ERJ6ENF1130	RESISTOR	DZ6710*/DZ6700*
R3390	ERJ2GEJ220	M 22 OHM, 0.063W	DZ6710*/DZ6700*
R3391	EXB2HV220JV	RESISTOR ARRAY	DZ6710*/DZ6700*
R3392	ERJ2GEJ220	M 22 OHM, 0.063W	DZ6710*/DZ6700*
R3393	ERJ2GEJ220	M 22 OHM, 0.063W	DZ6710*/DZ6700*
R3394	EXB2HV220JV	RESISTOR ARRAY	DZ6710*/DZ6700*
R3395	ERJ2GEJ220	M 22 OHM, 0.063W	DZ6710*/DZ6700*
R3396	ERJ2GEJ220	M 22 OHM, 0.063W	DZ6710*/DZ6700*
R3401	EXB28V220J	RESISTOR ARRAY	DZ6710*/DZ6700*
R3402	ERJ2GEJ220	M 22 OHM, 0.063W	DZ6710*/DZ6700*
R3403	ERJ2GEJ220	M 22 OHM, 0.063W	DZ6710*/DZ6700*
R3404	EXB28V220J	RESISTOR ARRAY	DZ6710*/DZ6700*
R3405	ERJ2GEJ220	M 22 OHM, 0.063W	DZ6710*/DZ6700*
R3406	ERJ2GEJ220	M 22 OHM, 0.063W	DZ6710*/DZ6700*
R3407	ERJ2GEJ220	M 22 OHM, 0.063W	DZ6710*/DZ6700*
R3408	EXB28V220J	RESISTOR ARRAY	DZ6710*/DZ6700*
R3409	ERJ3GEYJ220	M 22 OHM,J,1/16W	DZ6710*/DZ6700*
R3410	ERJ2GEJ220	M 22 OHM, 0.063W	DZ6710*/DZ6700*
R3411	ERJ2GEJ220	M 22 OHM, 0.063W	DZ6710*/DZ6700*
R3412	ERJ3GEY0R00	M 0 OHM, 1/16W	DZ6710*/DZ6700*
R3415	EXB28V220J	RESISTOR ARRAY	DZ6710*/DZ6700*
R3417	EXB38V472J	RESISTOR ARRAY	DZ6710*/DZ6700*
R3418	ERJ2GEJ220	M 22 OHM, 0.063W	DZ6710*/DZ6700*
R3419	ERJ2GEJ220	M 22 OHM, 0.063W	DZ6710*/DZ6700*
R3420	EXB28V220J	RESISTOR ARRAY	DZ6710*/DZ6700*
R3421	EXB28V220J	RESISTOR ARRAY	DZ6710*/DZ6700*
R3422	ERJ2GEOR00	M 0 OHM, 0.063W	DZ6710*/DZ6700*
R3423	ERJ3GEY0R00	M 0 OHM, 1/16W	DZ6710*/DZ6700*
R3425	ERJ3GEYJ102	M 1K OHM,J,1/16W	DZ6710*/DZ6700*
R3426	ERJ3GEY0R00	M 0 OHM, 1/16W	DZ6710*/DZ6700*
R3428	ERJ3GEYJ102	M 1K OHM,J,1/16W	DZ6710*/DZ6700*
R3429	ERJ3GEYJ221	M 220 OHM,J,1/16W	DZ6710*/DZ6700*
R3432	EXB28V472J	RESISTOR ARRAY	DZ6710*/DZ6700*
R3435	ERJ3GEYJ680	M 68 OHM,J,1/16W	DZ6710*/DZ6700*
R3436	EXB38V220J	RESISTOR ARRAY	DZ6710*/DZ6700*
R3439	ERJ3GEY0R00	M 0 OHM, 1/16W	DZ6710*/DZ6700*
R3442	ERJ3GEYJ101	M 100 OHM,J,1/16W	
R3443	ERJ3GEYJ101	M 100 OHM,J,1/16W	
R3444	ERJ3GEYJ101	M 100 OHM,J,1/16W	
R3445	ERJ3GEYJ101	M 100 OHM,J,1/16W	
R3446	ERJ3GEYJ101	M 100 OHM,J,1/16W	
R3447	ERJ3GEYJ101	M 100 OHM,J,1/16W	
R3451	ERJ3GEY0R00	M 0 OHM, 1/16W	DW6300*/D6000*
R3454	ERJ3GEYJ221	M 220 OHM,J,1/16W	DZ6710*/DZ6700*
R3454	ERJ3GEYJ121	M 120 OHM,J,1/16W	DW6300*/D6000*
R3457	EXB38V102J	RESISTOR ARRAY	
R3459	ERJ3GEYJ102	M 1K OHM,J,1/16W	
R3460	ERJ2GEJ102	M 1K OHM, 0.063W	
R3461	EXB38V472J	RESISTOR ARRAY	DZ6710*/DZ6700*

Ref. No.	Part No.	Part Name & Description	Remarks
R3461	EXB28V472J	RESISTOR ARRAY	DW6300*/D6000*
R3463	ERJ2GEOR00	M 0 OHM, 0.063W	
R3465	ERJ2GEJ220	M 22 OHM, 0.063W	
R3466	ERJ2GEJ220	M 22 OHM, 0.063W	
R3468	EXB28V220J	RESISTOR ARRAY	
R3469	ERJ3GEYJ331	M 330 OHM,J,1/16W	
R3470	EXB28V472J	RESISTOR ARRAY	
R3471	ERJ3GEYJ680	M 68 OHM,J,1/16W	
R3472	EXB38V220J	RESISTOR ARRAY	
R3475	EXB28V220J	RESISTOR ARRAY	
R3476	ERJ2GEOR00	M 0 OHM, 0.063W	DW6300*/D6000*
R3477	ERJ2GEOR00	M 0 OHM, 0.063W	DW6300*/D6000*
R3478	ERJ2GEOR00	M 0 OHM, 0.063W	DW6300*/D6000*
R3479	ERJ2GEOR00	M 0 OHM, 0.063W	DW6300*/D6000*
R3480	D1HG2208A002	RESISTOR	DZ6710*/DZ6700*
R3480	ERJ2GEOR00	M 0 OHM, 0.063W	DW6300*/D6000*
R3481	D1HG2208A002	RESISTOR	DZ6710*/DZ6700*
R3481	ERJ2GEOR00	M 0 OHM, 0.063W	DW6300*/D6000*
R3482	D1HG2208A002	RESISTOR	DZ6710*/DZ6700*
R3482	ERJ2GEOR00	M 0 OHM, 0.063W	DW6300*/D6000*
R3483	D1HG2208A002	RESISTOR	DZ6710*/DZ6700*
R3483	ERJ2GEOR00	M 0 OHM, 0.063W	DW6300*/D6000*
R3484	D1HG2208A002	RESISTOR	DZ6710*/DZ6700*
R3484	ERJ2GEOR00	M 0 OHM, 0.063W	DW6300*/D6000*
R3485	D1HG2208A002	RESISTOR	DZ6710*/DZ6700*
R3485	ERJ2GEOR00	M 0 OHM, 0.063W	DW6300*/D6000*
R3486	D1HG2208A002	RESISTOR	DZ6710*/DZ6700*
R3486	ERJ2GEOR00	M 0 OHM, 0.063W	DW6300*/D6000*
R3487	D1HG2208A002	RESISTOR	DZ6710*/DZ6700*
R3487	ERJ2GEOR00	M 0 OHM, 0.063W	DW6300*/D6000*
R3488	EXB28V220J	RESISTOR ARRAY	DZ6710*/DZ6700*
R3489	ERJ2GEJ220	M 22 OHM, 0.063W	DW6300*/D6000*
R3490	ERJ3GEYJ220	M 22 OHM,J,1/16W	DZ6710*/DZ6700*
R3490	ERJ3GEY0R00	M 0 OHM, 1/16W	DW6300*/D6000*
R3492	ERJ2GEJ220	M 22 OHM, 0.063W	DZ6710*/DZ6700*
R3494	EXB28V220J	RESISTOR ARRAY	DZ6710*/DZ6700*
R3495	EXB28V220J	RESISTOR ARRAY	
R3496	EXB28V220J	RESISTOR ARRAY	
R3497	EXB28V220J	RESISTOR ARRAY	
R3498	ERJ3GEYJ101	M 100 OHM,J,1/16W	DW6300*/D6000*
R3499	ERJ3GEYJ101	M 100 OHM,J,1/16W	DW6300*/D6000*
R3501	EXB28V223JX	RESISTOR ARRAY	DZ6710*/DZ6700*
R3502	ERJ2GEJ220	M 22 OHM, 0.063W	DW6300*/D6000*
R3505	ERJ2GEJ223	RESISTOR	DZ6710*/DZ6700*
R3513	ERJ2GEJ472	M 4.7K OHM, 0.063W	DW6300*/D6000*
R3514	ERJ2GEJ472	M 4.7K OHM, 0.063W	DW6300*/D6000*
R3515	ERJ2GEJ223	RESISTOR	DZ6710*/DZ6700*
R3515	ERJ2GEJ472	M 4.7K OHM, 0.063W	DW6300*/D6000*
R3516	ERJ2GEJ472	M 4.7K OHM, 0.063W	DW6300*/D6000*
R3517	ERJ2GEJ560	M 56 OHM, 0.063W	DW6300*/D6000*
R3518	ERJ2GEJ223	RESISTOR	DZ6710*/DZ6700*
R3518	ERJ2GEJ100	M 10 OHM, 0.063W	DW6300*/D6000*
R3519	ERJ2GEJ223	RESISTOR	DZ6710*/DZ6700*
R3520	EXB28V223JX	RESISTOR ARRAY	DZ6710*/DZ6700*
R3521	ERJ2GEJ223	RESISTOR	DZ6710*/DZ6700*
R3524	ERJ2GEJ223	RESISTOR	DZ6710*/DZ6700*
R3525	ERJ2GEJ223	RESISTOR	DZ6710*/DZ6700*
R3526	ERJ2GEOR00	M 0 OHM, 0.063W	DW6300*/D6000*
R3528	ERJ2GEJ223	RESISTOR	DZ6710*/DZ6700*
R3528	ERJ2GEOR00	M 0 OHM, 0.063W	DW6300*/D6000*
R3530	ERJ2GEOR00	M 0 OHM, 0.063W	DW6300*/D6000*
R3531	EXB28V223JX	RESISTOR ARRAY	DZ6710*/DZ6700*
R3532	EXB28V220J	RESISTOR ARRAY	DW6300*/D6000*
R3533	EXB28V220J	RESISTOR ARRAY	DW6300*/D6000*
R3534	EXB28V220J	RESISTOR ARRAY	DW6300*/D6000*
R3535	EXB28V220J	RESISTOR ARRAY	DW6300*/D6000*
R3537	EXB28V220J	RESISTOR ARRAY	DW6300*/D6000*
R3538	EXB28V220J	RESISTOR ARRAY	DW6300*/D6000*
R3539	EXB28V220J	RESISTOR ARRAY	DW6300*/D6000*
R3540	EXB28V220J	RESISTOR ARRAY	DW6300*/D6000*
R3541	EXB28V220J	RESISTOR ARRAY	DW6300*/D6000*
R3542	EXB28V220J	RESISTOR ARRAY	DW6300*/D6000*
R3543	EXB28V220J	RESISTOR ARRAY	DW6300*/D6000*

Ref. No.	Part No.	Part Name & Description	Remarks
R3544	ERJ2GEJ223	RESISTOR	DZ6710*/DZ6700*
R3544	EXB28V220J	RESISTOR ARRAY	DW6300*/D6000*
R3545	ERJ2GEJ223	RESISTOR	DZ6710*/DZ6700*
R3545	ERJ3GEYJ220	M 22 OHM, J, 1/16W	DW6300*/D6000*
R3546	ERJ3GEYJ220	M 22 OHM, J, 1/16W	DW6300*/D6000*
R3547	ERJ3GEYJ220	M 22 OHM, J, 1/16W	DW6300*/D6000*
R3548	ERJ3GEYJ220	M 22 OHM, J, 1/16W	DW6300*/D6000*
R3549	ERJ3GEYJ220	M 22 OHM, J, 1/16W	DW6300*/D6000*
R3550	ERJ2GEJ472	M 4.7KOHM, 0.063W	DZ6710*/DZ6700*
R3550	ERJ3GEYJ220	M 22 OHM, J, 1/16W	DW6300*/D6000*
R3551	ERJ2GEJ472	M 4.7KOHM, 0.063W	DZ6710*/DZ6700*
R3551	ERJ3GEYJ220	M 22 OHM, J, 1/16W	DW6300*/D6000*
R3552	ERJ2GEJ472	M 4.7KOHM, 0.063W	DZ6710*/DZ6700*
R3552	ERJ3GEYJ220	M 22 OHM, J, 1/16W	DW6300*/D6000*
R3553	ERJ2GEJ472	M 4.7KOHM, 0.063W	DZ6710*/DZ6700*
R3553	ERJ3GEYJ220	M 22 OHM, J, 1/16W	DW6300*/D6000*
R3554	ERJ2GEJ472	M 4.7KOHM, 0.063W	DZ6710*/DZ6700*
R3554	ERJ3GEYJ220	M 22 OHM, J, 1/16W	DW6300*/D6000*
R3555	ERJ2GEJ472	M 4.7KOHM, 0.063W	DZ6710*/DZ6700*
R3555	EXB38V470J	RESISTOR ARRAY	DW6300*/D6000*
R3556	ERJ3GEYJ470	M 47 OHM, J, 1/16W	DW6300*/D6000*
R3557	ERJ3GEYJ470	M 47 OHM, J, 1/16W	DW6300*/D6000*
R3558	ERJ2GEJ220	M 22 OHM, 0.063W	DZ6710*/DZ6700*
R3558	ERJ3GEYJ470	M 47 OHM, J, 1/16W	DW6300*/D6000*
R3559	ERJ2GEJ220	M 22 OHM, 0.063W	DZ6710*/DZ6700*
R3559	EXB38V470J	RESISTOR ARRAY	DW6300*/D6000*
R3560	ERJ2GEJ220	M 22 OHM, 0.063W	DZ6710*/DZ6700*
R3560	EXB38V470J	RESISTOR ARRAY	DW6300*/D6000*
R3561	ERJ2GEJ102	M 1K OHM, 0.063W	DZ6710*/DZ6700*
R3561	EXB38V470J	RESISTOR ARRAY	DW6300*/D6000*
R3562	EXB28V220J	RESISTOR ARRAY	DZ6710*/DZ6700*
R3562	EXB38V470J	RESISTOR ARRAY	DW6300*/D6000*
R3563	EXB38V470J	RESISTOR ARRAY	DW6300*/D6000*
R3564	EXB28V220J	RESISTOR ARRAY	DZ6710*/DZ6700*
R3564	EXB38V470J	RESISTOR ARRAY	DW6300*/D6000*
R3565	EXB38V470J	RESISTOR ARRAY	DW6300*/D6000*
R3566	EXB38V470J	RESISTOR ARRAY	DW6300*/D6000*
R3567	EXB38V470J	RESISTOR ARRAY	DW6300*/D6000*
R3568	EXB38V470J	RESISTOR ARRAY	DW6300*/D6000*
R3569	EXB38V470J	RESISTOR ARRAY	DW6300*/D6000*
R3570	ERJ3GEYJ470	M 47 OHM, J, 1/16W	DW6300*/D6000*
R3571	ERJ2GE0R00	M 0 OHM, 0.063W	DZ6710*/DZ6700*
R3571	ERJ3GEYJ470	M 47 OHM, J, 1/16W	DW6300*/D6000*
R3572	ERJ2GEJ103	M 10K OHM, 0.063W	DZ6710*/DZ6700*
R3572	ERJ3GEYJ470	M 47 OHM, J, 1/16W	DW6300*/D6000*
R3573	ERJ2GE0R00	M 0 OHM, 0.063W	DZ6710*/DZ6700*
R3573	ERJ3GEYJ470	M 47 OHM, J, 1/16W	DW6300*/D6000*
R3574	ERJ2GEJ472	M 4.7KOHM, 0.063W	DZ6710*/DZ6700*
R3574	ERJ3GEYJ470	M 47 OHM, J, 1/16W	DW6300*/D6000*
R3575	ERJ3GEYJ470	M 47 OHM, J, 1/16W	DW6300*/D6000*
R3576	ERJ3GEYJ470	M 47 OHM, J, 1/16W	DW6300*/D6000*
R3577	ERJ3GEYJ470	M 47 OHM, J, 1/16W	DW6300*/D6000*
R3578	ERJ3GEYJ470	M 47 OHM, J, 1/16W	DW6300*/D6000*
R3579	ERJ3GEYJ470	M 47 OHM, J, 1/16W	DW6300*/D6000*
R3580	ERJ3GEYJ560	M 56 OHM, J, 1/16W	DZ6710*/DZ6700*
R3581	ERJ3GEYJ560	M 56 OHM, J, 1/16W	DZ6710*/DZ6700*
R3581	ERJ2GE0R00	M 0 OHM, 0.063W	DW6300*/D6000*
R3582	ERJ3GEYJ560	M 56 OHM, J, 1/16W	DZ6710*/DZ6700*
R3582	EXB28V220J	RESISTOR ARRAY	DW6300*/D6000*
R3583	ERJ3GEYJ220	M 22 OHM, J, 1/16W	DZ6710*/DZ6700*
R3583	EXB28V220J	RESISTOR ARRAY	DW6300*/D6000*
R3584	ERJ3GEYJ220	M 22 OHM, J, 1/16W	DZ6710*/DZ6700*
R3584	ERJ2GEJ560	M 56 OHM, 0.063W	DW6300*/D6000*
R3585	ERJ3GEYJ220	M 22 OHM, J, 1/16W	DZ6710*/DZ6700*
R3585	ERJ2GEJ560	M 56 OHM, 0.063W	DW6300*/D6000*
R3586	ERJ3GEYJ220	M 22 OHM, J, 1/16W	DZ6710*/DZ6700*
R3586	ERJ2GEJ560	M 56 OHM, 0.063W	DW6300*/D6000*
R3587	ERJ3GEYJ220	M 22 OHM, J, 1/16W	DZ6710*/DZ6700*
R3587	ERJ2GEJ560	M 56 OHM, 0.063W	DW6300*/D6000*
R3588	ERJ3GEYJ220	M 22 OHM, J, 1/16W	DZ6710*/DZ6700*
R3588	EXB28V560J	RESISTOR ARRAY	DW6300*/D6000*
R3589	ERJ2GE0R00	M 0 OHM, 0.063W	DW6300*/D6000*
R3590	ERJ2GEJ220	M 22 OHM, 0.063W	DZ6710*/DZ6700*

Ref. No.	Part No.	Part Name & Description	Remarks
R3591	ERJ3GEYJ560	M 56 OHM, J, 1/16W	DW6300*/D6000*
R3592	ERJ2GEJ102	M 1K OHM, 0.063W	DZ6710*/DZ6700*
R3592	ERJ3GEYJ220	M 22 OHM, J, 1/16W	DW6300*/D6000*
R3593	ERJ2GEJ220	M 22 OHM, 0.063W	DZ6710*/DZ6700*
R3593	ERJ3GEYJ220	M 22 OHM, J, 1/16W	DW6300*/D6000*
R3594	ERJ3GEYJ560	M 56 OHM, J, 1/16W	DW6300*/D6000*
R3595	ERJ2GEJ102	M 1K OHM, 0.063W	DZ6710*/DZ6700*
R3595	ERJ3GEYJ560	M 56 OHM, J, 1/16W	DW6300*/D6000*
R3596	ERJ2GEJ472	M 4.7K OHM, 0.063W	DW6300*/D6000*
R3597	ERJ2GE0R00	M 0 OHM, 0.063W	DZ6710*/DZ6700*
R3597	ERJ3GEYJ560	M 56 OHM, J, 1/16W	DW6300*/D6000*
R3598	ERJ2GE0R00	M 0 OHM, 0.063W	DZ6710*/DZ6700*
R3598	ERJ2GEJ681	M 680 OHM, 0.063W	DW6300*/D6000*
R3599	ERJ2GE0R00	M 0 OHM, 0.063W	DZ6710*/DZ6700*
R3600	ERJ2GEJ103	M 10K OHM, 0.063W	DW6300*/D6000*
R3602	ERJ2GE0R00	M 0 OHM, 0.063W	DZ6710*/DZ6700*
R3602	EXB2HV560JV	RESISTOR ARRAY	DW6300*/D6000*
R3603	ERJ2GE0R00	M 0 OHM, 0.063W	DZ6710*/DZ6700*
R3603	EXB2HV560JV	RESISTOR ARRAY	DW6300*/D6000*
R3604	EXB2HV560JV	RESISTOR ARRAY	DW6300*/D6000*
R3605	EXB28V103J	RESISTOR ARRAY	DW6300*/D6000*
R3608	ERJ2GE0R00	M 0 OHM, 0.063W	DZ6710*/DZ6700*
R3609	ERJ2GEJ473	M 47K OHM, 0.063W	DZ6710*/DZ6700*
R3609	ERJ3GEYJ101	M 100 OHM, J, 1/16W	DW6300*/D6000*
R3610	ERJ2GE0R00	M 0 OHM, 0.063W	DW6300*/D6000*
R3611	ERJ2GEJ220	M 22 OHM, 0.063W	DW6300*/D6000*
R3612	ERJ2GE0R00	M 0 OHM, 0.063W	DZ6710*/DZ6700*
R3615	ERJ2GE0R00	M 0 OHM, 0.063W	DZ6710*/DZ6700*
R3615	ERJ2GEJ332	M 3.3KOHM, 0.063W	DW6300*/D6000*
R3616	ERJ2GEJ103	M 10K OHM, 0.063W	DZ6710*/DZ6700*
R3616	ERJ3GEYJ103	M 10K OHM, J, 1/16W	DW6300*/D6000*
R3617	EXB28V472J	RESISTOR ARRAY	DZ6710*/DZ6700*
R3617	ERJ3GEYJ220	M 22 OHM, J, 1/16W	DW6300*/D6000*
R3618	ERJ3GEY0R00	M 0 OHM, 1/16W	DZ6710*/DZ6700*
R3618	ERJ3GEYJ220	M 22 OHM, J, 1/16W	DW6300*/D6000*
R3619	ERJ3GEYJ220	M 22 OHM, J, 1/16W	DZ6710*/DZ6700*
R3619	ERJ3GEYJ101	M 100 OHM, J, 1/16W	DW6300*/D6000*
R3620	ERJ3GEY0R00	M 0 OHM, 1/16W	DZ6710*/DZ6700*
R3620	ERJ3GEYJ101	M 100 OHM, J, 1/16W	DW6300*/D6000*
R3621	ERJ3GEYJ681	M 680 OHM, J, 1/16W	DZ6710*/DZ6700*
R3621	ERJ3GEYJ473	M 47K OHM, J, 1/16W	DW6300*/D6000*
R3622	ERJ3GEYJ103	M 10K OHM, J, 1/16W	DZ6710*/DZ6700*
R3622	ERJ3GEYJ220	M 22 OHM, J, 1/16W	DW6300*/D6000*
R3623	ERJ3GEYJ220	M 22 OHM, J, 1/16W	DW6300*/D6000*
R3624	ERJ3GEYJ220	M 22 OHM, J, 1/16W	DW6300*/D6000*
R3625	EXB28V220J	RESISTOR ARRAY	DW6300*/D6000*
R3626	ERJ3GEYJ103	M 10K OHM, J, 1/16W	DW6300*/D6000*
R3627	ERJ3GEYJ332	M 3.3KOHM, J, 1/16W	DW6300*/D6000*
R3628	ERJ3GEYJ472	M 4.7K OHM, J, 1/16W	DW6300*/D6000*
R3629	ERJ3GEYJ103	M 10K OHM, J, 1/16W	DW6300*/D6000*
R3630	ERJ3GEY0R00	M 0 OHM, 1/16W	DZ6710*/DZ6700*
R3630	ERJ3GEYJ332	M 3.3KOHM, J, 1/16W	DW6300*/D6000*
R3631	ERJ3GEYJ472	M 4.7K OHM, J, 1/16W	DW6300*/D6000*
R3632	ERJ3GEYJ561	M 560 OHM, J, 1/16W	DZ6710*/DZ6700*
R3632	ERJ3GEYJ103	M 10K OHM, J, 1/16W	DW6300*/D6000*
R3633	EXB28V220J	RESISTOR ARRAY	DW6300*/D6000*
R3636	EXB28V220J	RESISTOR ARRAY	DW6300*/D6000*
R3637	ERJ3GEYJ103	M 10K OHM, J, 1/16W	DW6300*/D6000*
R3638	ERJ3GEYJ101	M 100 OHM, J, 1/16W	DW6300*/D6000*
R3639	ERJ3GEY0R00	M 0 OHM, 1/16W	DZ6710*/DZ6700*
R3639	ERJ3GEYJ221	M 220 OHM, J, 1/16W	DW6300*/D6000*
R3640	ERJ3GEYJ561	M 560 OHM, 1/16W	DW6300*/D6000*
R3641	ERJ3GEYJ184	M 180KOHM, 1/16W	DW6300*/D6000*
R3642	ERJ3GEYJ220	M 22 OHM, J, 1/16W	DZ6710*/DZ6700*
R3642	ERJ3GEYJ105	M 1M OHM, 1/16W	DW6300*/D6000*
R3643	ERJ3GEYJ220	M 22 OHM, J, 1/16W	DZ6710*/DZ6700*
R3643	ERJ3GEYJ472	M 4.7K OHM, J, 1/16W	DW6300*/D6000*
R3644	ERJ3GEYJ472	M 4.7K OHM, J, 1/16W	DW6300*/D6000*
R3645	ERJ3GEYJ220	M 22 OHM, J, 1/16W	DW6300*/D6000*
R3646	ERJ3GEYJ220	M 22 OHM, J, 1/16W	DW6300*/D6000*
R3647	ERJ2GEJ223	M 22K OHM, 0.063W	DW6300*/D6000*
R3648	ERJ2GEJ223	M 22K OHM, 0.063W	DW6300*/D6000*
R3649	ERJ2GEJ223	M 22K OHM, 0.063W	DW6300*/D6000*

Ref. No.	Part No.	Part Name & Description	Remarks
R3813	ERJ3GEYJ680	M 68 OHM, J, 1/16W	DZ6710*/DZ6700*
R3814	EXB38V680J	RESISTOR ARRAY	DZ6710*/DZ6700*
R3815	EXB38V680J	RESISTOR ARRAY	DZ6710*/DZ6700*
R3816	EXB38V680J	RESISTOR ARRAY	DZ6710*/DZ6700*
R3817	EXB38V680J	RESISTOR ARRAY	DZ6710*/DZ6700*
R3818	EXB38V680J	RESISTOR ARRAY	DZ6710*/DZ6700*
R3819	EXB38V680J	RESISTOR ARRAY	DZ6710*/DZ6700*
R3820	EXB38V680J	RESISTOR ARRAY	DZ6710*/DZ6700*
R3821	EXB38V680J	RESISTOR ARRAY	DZ6710*/DZ6700*
R3822	EXB38V680J	RESISTOR ARRAY	DZ6710*/DZ6700*
R3823	EXB38V680J	RESISTOR ARRAY	DZ6710*/DZ6700*
R3824	EXB38V680J	RESISTOR ARRAY	DZ6710*/DZ6700*
R3833	ERJ3GEYJ680	M 68 OHM, J, 1/16W	DZ6710*/DZ6700*
R3834	ERJ3GEYJ680	M 68 OHM, J, 1/16W	DZ6710*/DZ6700*
R3836	ERJ3GEYJ680	M 68 OHM, J, 1/16W	DZ6710*/DZ6700*
R3837	ERJ3GEYJ680	M 68 OHM, J, 1/16W	DZ6710*/DZ6700*
R3838	ERJ3GEYJ680	M 68 OHM, J, 1/16W	DZ6710*/DZ6700*
R3839	ERJ3GEYJ680	M 68 OHM, J, 1/16W	DZ6710*/DZ6700*
R3840	ERJ3GEYJ680	M 68 OHM, J, 1/16W	DZ6710*/DZ6700*
R3841	ERJ3GEYJ680	M 68 OHM, J, 1/16W	DZ6710*/DZ6700*
R3842	ERJ3GEYJ680	M 68 OHM, J, 1/16W	DZ6710*/DZ6700*
R3843	ERJ3GEYJ680	M 68 OHM, J, 1/16W	DZ6710*/DZ6700*
R3844	EXB38V680J	RESISTOR ARRAY	DZ6710*/DZ6700*
R3845	EXB38V680J	RESISTOR ARRAY	DZ6710*/DZ6700*
R3846	EXB38V680J	RESISTOR ARRAY	DZ6710*/DZ6700*
R3847	EXB38V680J	RESISTOR ARRAY	DZ6710*/DZ6700*
R3848	EXB38V680J	RESISTOR ARRAY	DZ6710*/DZ6700*
R3849	EXB38V680J	RESISTOR ARRAY	DZ6710*/DZ6700*
R3850	EXB38V680J	RESISTOR ARRAY	DZ6710*/DZ6700*
R3851	EXB38V680J	RESISTOR ARRAY	DZ6710*/DZ6700*
R3860	ERJ3GEYJ102	M 1K OHM, J, 1/16W	
R3861	ERJ3EKF6801V	M 6.8KOHM, 1/16W	
R3862	ERJ3GEYJ102	M 1K OHM, J, 1/16W	
R3863	ERJ3EKF2202	RESISTOR	
R3864	ERJ3GEYJ102	M 1K OHM, J, 1/16W	
R3865	ERJ3EKF6801V	M 6.8KOHM, 1/16W	
R3866	ERJ3GEYJ102	M 1K OHM, J, 1/16W	
R3867	ERJ3GEYJ472	M 4.7KOHM, J, 1/16W	
R3868	ERJ3GEYJ472	M 4.7KOHM, J, 1/16W	
R3873	ERJ3GEYJ105	M 1M OHM, J, 1/16W	
R3874	ERJ3GEYJ105	M 1M OHM, J, 1/16W	
R3875	ERJ3GEYJ105	M 1M OHM, J, 1/16W	
R3876	EXB28V102J	RESISTOR ARRAY	
R3877	ERJ6GEYJ101	M 100 OHM, J, 1/10W	
R3878	ERJ3GEYJ101	M 100 OHM, J, 1/16W	
R3881	ERJ3GEYJ102	M 1K OHM, J, 1/16W	
R3882	ERJ3GEYJ472	M 4.7KOHM, J, 1/16W	
R3884	ERJ3GEYJ102	M 1K OHM, J, 1/16W	
R3885	ERJ3GEYJ102	M 1K OHM, J, 1/16W	
R3886	ERJ3GEYJ472	M 4.7KOHM, J, 1/16W	
R3889	ERJ3GEYJ101	M 100 OHM, J, 1/16W	
R3901	EXB28V472J	RESISTOR ARRAY	
R3902	ERJ3GEYJ101	M 100 OHM, J, 1/16W	
R3903	ERJ3GEYJ101	M 100 OHM, J, 1/16W	
R3904	ERJ3GEYJ101	M 100 OHM, J, 1/16W	
R3905	ERJ3GEYJ101	M 100 OHM, J, 1/16W	
R3906	ERJ3GEYJ222	M 2.2KOHM, J, 1/16W	
R3907	ERJ3GEYJ101	M 100 OHM, J, 1/16W	
R3908	ERJ3GEYJ472	M 4.7KOHM, J, 1/16W	
R3909	ERJ3GEYJ472	M 4.7KOHM, J, 1/16W	
R3910	ERJ3GEYJ181	M 180 OHM, J, 1/16W	
R3911	ERJ3GEYJ104	M 100KOHM, J, 1/16W	
R3912	ERJ3GEYJ103	M 10K OHM, J, 1/16W	
R3918	ERJ3GEYJ271	M 270 OHM, J, 1/16W	
R3919	ERJ3GEYJ104	M 100KOHM, J, 1/16W	
R3920	ERJ3GEYJ472	M 4.7KOHM, J, 1/16W	
R3921	ERJ3GEYJ472	M 4.7KOHM, J, 1/16W	
R3922	ERJ3GEYJ181	M 180 OHM, J, 1/16W	
R3923	ERJ3GEYJ104	M 100KOHM, J, 1/16W	
R3926	ERJ3GEYJ222	M 2.2KOHM, J, 1/16W	
R3927	ERJ3GEYJ101	M 100 OHM, J, 1/16W	
R3928	ERJ3GEYJ472	M 4.7KOHM, J, 1/16W	
R3929	ERJ3GEYJ472	M 4.7KOHM, J, 1/16W	

Ref. No.	Part No.	Part Name & Description	Remarks
R3930	ERJ3GEYJ181	M 180 OHM, J, 1/16W	
R3931	ERJ3GEYJ104	M 100KOHM, J, 1/16W	
R3932	ERJ3GEYJ103	M 10K OHM, J, 1/16W	
R3938	ERJ3GEYJ271	M 270 OHM, J, 1/16W	
R3939	ERJ3GEYJ104	M 100KOHM, J, 1/16W	
R3940	ERJ3GEYJ472	M 4.7KOHM, J, 1/16W	
R3941	ERJ3GEYJ472	M 4.7KOHM, J, 1/16W	
R3942	ERJ3GEYJ181	M 180 OHM, J, 1/16W	
R3943	ERJ3GEYJ104	M 100KOHM, J, 1/16W	
R3951	ERJ3GEY0R00	M 0 OHM, 1/16W	DZ6710*/DZ6700*
R3952	ERJ3GEYJ102	M 1K OHM, J, 1/16W	DZ6710*/DZ6700*
R3954	ERJ3GEYJ472	M 4.7KOHM, J, 1/16W	DZ6710*/DZ6700*
R3956	ERJ3GEYJ472	M 4.7KOHM, J, 1/16W	DZ6710*/DZ6700*
R3958	ERJ3GEYJ472	M 4.7KOHM, J, 1/16W	DZ6710*/DZ6700*
R3961	ERJ3GEYJ472	M 4.7KOHM, J, 1/16W	DZ6710*/DZ6700*
R3963	ERJ3GEYJ100	M 10 OHM, J, 1/16W	DZ6710*/DZ6700*
R3964	ERJ3GEYJ100	M 10 OHM, J, 1/16W	DZ6710*/DZ6700*
R3965	ERJ2GE0R00	M 0 OHM, 0.063W	DZ6710*/DZ6700*
R3966	ERJ2GE0R00	M 0 OHM, 0.063W	DZ6710*/DZ6700*
R3967	ERJ2GE0R00	M 0 OHM, 0.063W	DZ6710*/DZ6700*
R3968	ERJ2GE0R00	M 0 OHM, 0.063W	DZ6710*/DZ6700*
R3969	ERJ2GE0R00	M 0 OHM, 0.063W	DZ6710*/DZ6700*
R3970	ERJ2GE0R00	M 0 OHM, 0.063W	DZ6710*/DZ6700*
R3971	ERJ3GEYJ470	M 47 OHM, J, 1/16W	
R3972	ERJ3GEYJ681	M 680 OHM, J, 1/16W	
R3973	ERJ3GEYJ101	M 100 OHM, J, 1/16W	
R3974	ERJ3GEYJ821	M 820 OHM, J, 1/16W	
R3975	ERJ3GEYJ681	M 680 OHM, J, 1/16W	
R3976	ERJ3GEYJ681	M 680 OHM, J, 1/16W	
R3977	ERJ3GEYJ681	M 680 OHM, J, 1/16W	
R3978	ERJ3GEYJ101	M 100 OHM, J, 1/16W	
R3979	ERJ2GE0R00	M 0 OHM, 0.063W	DZ6710*/DZ6700*
R3980	ERJ2GE0R00	M 0 OHM, 0.063W	DZ6710*/DZ6700*
R3981	ERJ2GE0R00	M 0 OHM, 0.063W	DZ6710*/DZ6700*
R3982	ERJ2GE0R00	M 0 OHM, 0.063W	DZ6710*/DZ6700*
R3983	ERJ2GE0R00	M 0 OHM, 0.063W	DZ6710*/DZ6700*
R3984	ERJ2GE0R00	M 0 OHM, 0.063W	DZ6710*/DZ6700*
R3985	ERJ2GE0R00	M 0 OHM, 0.063W	DZ6710*/DZ6700*
R3986	ERJ2GE0R00	M 0 OHM, 0.063W	DZ6710*/DZ6700*
R3987	ERJ2GE0R00	M 0 OHM, 0.063W	DZ6710*/DZ6700*
R3988	ERJ2GE0R00	M 0 OHM, 0.063W	DZ6710*/DZ6700*
R3989	ERJ2GE0R00	M 0 OHM, 0.063W	DZ6710*/DZ6700*
R3990	ERJ2GE0R00	M 0 OHM, 0.063W	DZ6710*/DZ6700*
R3991	ERJ3GEYJ102	M 1K OHM, J, 1/16W	DZ6710*/DZ6700*
R3992	ERJ3GEYJ470	M 47 OHM, J, 1/16W	DZ6710*/DZ6700*
R3993	ERJ2GE0R00	M 0 OHM, 0.063W	DZ6710*/DZ6700*
R3994	ERJ2GE0R00	M 0 OHM, 0.063W	DZ6710*/DZ6700*
R3995	ERJ2GE0R00	M 0 OHM, 0.063W	DZ6710*/DZ6700*
R3996	ERJ2GE0R00	M 0 OHM, 0.063W	DZ6710*/DZ6700*
R3997	ERJ3GEYJ220	M 22 OHM, J, 1/16W	
R3998	ERJ3GEYJ220	M 22 OHM, J, 1/16W	
R4901	ERJ6ENF3300	M 330 OHM, 1/10W	
R4902	ERJ3GEYJ563	M 56KOHM, J, 1/16W	
R4903	ERJ3GEYJ103	M 10K OHM, J, 1/16W	
R4904	ERJ3GEYJ103	M 10K OHM, J, 1/16W	
R4906	ERJ3GEYJ220	M 22 OHM, J, 1/16W	
R4908	ERJ3GEY0R00	M 0 OHM, 1/16W	
R4909	ERJ3GEY0R00	M 0 OHM, 1/16W	
R8201	ERJ3EKF75R0	RESISTOR	DZ6710*
R8202	ERJ3EKF75R0	RESISTOR	DZ6710*
R8203	ERJ3EKF37R4	RESISTOR	DZ6710*
R8204	ERJ2GEJ220	M 22 OHM, 0.063W	DZ6710*
R8205	ERJ3EKF75R0	RESISTOR	DZ6710*
R8206	ERJ3EKF75R0	RESISTOR	DZ6710*
R8207	ERJ3EKF75R0	RESISTOR	DZ6710*
R8208	ERJ3EKF75R0	RESISTOR	DZ6710*
R8210	ERJ3EKF7871	RESISTOR	DZ6710*
R8211	ERJ3GEY0R00	M 0 OHM, 1/16W	DZ6710*
R8212	ERJ3GEY0R00	M 0 OHM, 1/16W	DZ6710*
R8213	ERJ3GEY0R00	M 0 OHM, 1/16W	DZ6710*
R8214	ERJ3GEYJ220	M 22 OHM, J, 1/16W	DZ6710*
R8215	ERJ3GEYJ472	M 4.7KOHM, J, 1/16W	DZ6710*
R8216	ERJ3GEYJ472	M 4.7KOHM, J, 1/16W	DZ6710*

Ref. No.	Part No.	Part Name & Description	Remarks
R8217	ERJ3GEYJ102	M 1K OHM, J, 1/16W	DZ6710*
R8218	EXB28V220J	RESISTOR ARRAY	DZ6710*
R8219	ERJ3GEYJ220	M 22 OHM, J, 1/16W	DZ6710*
R8220	ERJ2GEJ101	M 100 OHM, 0.063W	DZ6710*
R8221	ERJ2GEJ101	M 100 OHM, 0.063W	DZ6710*
R8222	ERJ2GEJ101	M 100 OHM, 0.063W	DZ6710*
R8223	ERJ2GEJ101	M 100 OHM, 0.063W	DZ6710*
R8224	ERJ2GEJ101	M 100 OHM, 0.063W	DZ6710*
R8225	ERJ2GEJ101	M 100 OHM, 0.063W	DZ6710*
R8226	ERJ3GEYJ220	M 22 OHM, J, 1/16W	DZ6710*
R8229	ERJ3GEY0R00	M 0 OHM, 1/16W	DZ6710*
R8230	ERJ3GEY0R00	M 0 OHM, 1/16W	DZ6710*
R8232	ERJ3GEYJ472	M 4.7KOHM, J, 1/16W	DZ6710*
R8234	ERJ3GEYJ472	M 4.7KOHM, J, 1/16W	DZ6710*
R8235	EXB28V472J	RESISTOR ARRAY	DZ6710*
R8237	ERJ2GE0R00	M 0 OHM, 0.063W	DZ6710*
R8238	ERJ3GEY0R00	M 0 OHM, 1/16W	DZ6710*
R8240	ERJ3GEYJ331	M 330 OHM, J, 1/16W	DZ6710*
R8241	EXB28V472J	RESISTOR ARRAY	DZ6710*
R8243	ERJ2GEJ101	M 100 OHM, 0.063W	DZ6710*
R8244	ERJ3GEYJ680	M 68 OHM, J, 1/16W	DZ6710*
R8245	EXB28V220J	RESISTOR ARRAY	DZ6710*
R8247	ERJ3GEYJ220	M 22 OHM, J, 1/16W	DZ6710*
R8248	D1HG33080001	RESISTOR	DZ6710*
R8249	D1HG33080001	RESISTOR	DZ6710*
R8250	D1HG33080001	RESISTOR	DZ6710*
R8501	ERJ2GEJ101	M 100 OHM, 0.063W	DZ6710*
R8502	ERJ2GEJ101	M 100 OHM, 0.063W	DZ6710*
R8503	ERJ2GEJ101	M 100 OHM, 0.063W	DZ6710*
R8504	ERJ2GEJ101	M 100 OHM, 0.063W	DZ6710*
R8505	ERJ2GEJ101	M 100 OHM, 0.063W	DZ6710*
R8506	ERJ2GEJ101	M 100 OHM, 0.063W	DZ6710*
R8507	ERJ2GEJ101	M 100 OHM, 0.063W	DZ6710*
R8508	ERJ2GEJ101	M 100 OHM, 0.063W	DZ6710*
R8509	ERJ2GEJ101	M 100 OHM, 0.063W	DZ6710*
R8510	ERJ2GEJ101	M 100 OHM, 0.063W	DZ6710*
R8511	ERJ2GEJ101	M 100 OHM, 0.063W	DZ6710*
R8512	ERJ3GEYJ472	M 4.7KOHM, J, 1/16W	DZ6710*
R8513	ERJ3GEYJ100	M 10 OHM, J, 1/16W	DZ6710*
R8514	EXB28V220J	RESISTOR ARRAY	DZ6710*
R8515	ERJ3GEYJ100	M 10 OHM, J, 1/16W	DZ6710*
R8516	ERJ3GEY0R00	M 0 OHM, 1/16W	DZ6710*
R8517	ERJ3GEYJ472	M 4.7KOHM, J, 1/16W	DZ6710*
R8519	ERJ3GEY0R00	M 0 OHM, 1/16W	DZ6710*
R8520	D1HG2208A002	RESISTOR	DZ6710*
R8522	ERJ3GEYJ472	M 4.7KOHM, J, 1/16W	DZ6710*
R8523	ERJ3GEY0R00	M 0 OHM, 1/16W	DZ6710*
R8524	EXB28V220J	RESISTOR ARRAY	DZ6710*
R8525	D1HG2208A002	RESISTOR	DZ6710*
R8526	D1HG2208A002	RESISTOR	DZ6710*
R8527	D1HG2208A002	RESISTOR	DZ6710*
R8528	D1HG2208A002	RESISTOR	DZ6710*
R8529	D1HG2208A002	RESISTOR	DZ6710*
R8530	D1HG2208A002	RESISTOR	DZ6710*
R8531	EXB28V220J	RESISTOR ARRAY	DZ6710*
R8532	ERJ2GEJ220	M 22 OHM, 0.063W	DZ6710*
R8533	ERJ3GEYJ184	M 180KOHM, J, 1/16W	DZ6710*
R8534	ERJ3GEYJ184	M 180KOHM, J, 1/16W	DZ6710*
R8535	ERJ2GEJ103	M 10K OHM, 0.063W	DZ6710*
R8536	ERJ2GEJ220	M 22 OHM, 0.063W	DZ6710*
R8537	ERJ3EKF8202	RESISTOR	DZ6710*
R8538	ERJ3EKF1002	M 100KOHM, 1/16W	DZ6710*
R8539	ERJ3GEYJ153	M 15K OHM, J, 1/16W	DZ6710*
R8540	ERJ3EKF4302	RESISTOR	DZ6710*
R8541	ERJ2GEJ220	M 22 OHM, 0.063W	DZ6710*
R8542	ERJ3GEYJ104	M 100KOHM, J, 1/16W	DZ6710*
R8543	ERJ3EKF3093	RESISTOR	DZ6710*
R8545	ERJ3GEYJ475	RESISTOR	DZ6710*
R8547	ERJ2GE0R00	M 0 OHM, 0.063W	DZ6710*
R8550	EXB28V220J	RESISTOR ARRAY	DZ6710*
R8551	ERJ2GEJ103	M 10K OHM, 0.063W	DZ6710*
R8552	ERJ2GEJ101	M 100 OHM, 0.063W	DZ6710*
R8553	ERJ2GEJ101	M 100 OHM, 0.063W	DZ6710*

Ref. No.	Part No.	Part Name & Description	Remarks
R8554	ERJ2GEJ101	M 100 OHM, 0.063W	DZ6710*
R8555	ERJ2GEJ103	M 10K OHM, 0.063W	DZ6710*
R8556	ERJ2GEJ103	M 10K OHM, 0.063W	DZ6710*
R8557	ERJ2GEJ103	M 10K OHM, 0.063W	DZ6710*
R8558	ERJ2GEJ103	M 10K OHM, 0.063W	DZ6710*
R8559	ERJ2GEJ101	M 100 OHM, 0.063W	DZ6710*
R8560	ERJ2GEJ103	M 10K OHM, 0.063W	DZ6710*
R8561	D1HG2208A002	RESISTOR	DZ6710*
R8562	D1HG2208A002	RESISTOR	DZ6710*
R8563	D1HG2208A002	RESISTOR	DZ6710*
R8564	ERJ2GEJ103	M 10K OHM, 0.063W	DZ6710*
R8565	ERJ2GEJ220	M 22 OHM, 0.063W	DZ6710*
R8566	ERJ2GEJ220	M 22 OHM, 0.063W	DZ6710*
R8567	ERJ2GEJ103	M 10K OHM, 0.063W	DZ6710*
R8568	ERJ2GEJ103	M 10K OHM, 0.063W	DZ6710*
R8569	D1HG1528A002	RESISTOR	DZ6710*
R8570	ERJ2GEJ103	M 10K OHM, 0.063W	DZ6710*
R8571	ERJ2GEJ220	M 22 OHM, 0.063W	DZ6710*
R8572	D1HG2208A002	RESISTOR	DZ6710*
R8575	EXB38V103J	RESISTOR ARRAY	DZ6710*
R8576	ERJ2GEJ331	M 330 OHM, 0.063W	DZ6710*
R8578	EXB28V330J	RESISTOR ARRAY	DZ6710*
R8579	D1HG1038A002	RESISTOR	DZ6710*
R8580	ERJ2GEJ103	M 10K OHM, 0.063W	DZ6710*
R8581	ERJ2GEJ103	M 10K OHM, 0.063W	DZ6710*
R8582	D1HG2208A002	RESISTOR	DZ6710*
R8583	D1HG2208A002	RESISTOR	DZ6710*
R8584	D1HG2208A002	RESISTOR	DZ6710*
R8585	ERJ2GEJ220	M 22 OHM, 0.063W	DZ6710*
R8586	ERJ2GEJ220	M 22 OHM, 0.063W	DZ6710*
R8587	ERJ2GEJ220	M 22 OHM, 0.063W	DZ6710*
R8588	ERJ2GEJ220	M 22 OHM, 0.063W	DZ6710*
R8589	D1HG2208A002	RESISTOR	DZ6710*
R8593	ERJ3EKF1002	M 10KOHM, 1/16W	DZ6710*
R8594	ERJ3EKF1002	M 10KOHM, 1/16W	DZ6710*
R8595	ERJ3EKF1002	M 10KOHM, 1/16W	DZ6710*
R8596	ERJ3EKF1002	M 10KOHM, 1/16W	DZ6710*
R8597	ERJ3EKF1002	M 10KOHM, 1/16W	DZ6710*
R8598	ERJ3EKF1002	M 10KOHM, 1/16W	DZ6710*
R8599	D1HG2208A002	RESISTOR	DZ6710*
R8600	D1HG2208A002	RESISTOR	DZ6710*
R8601	D1HG2208A002	RESISTOR	DZ6710*
R8602	D1HG2208A002	RESISTOR	DZ6710*
R8603	ERJ2GEJ102	M 1K OHM, 0.063W	DZ6710*
R8604	ERJ2GEJ102	M 1K OHM, 0.063W	DZ6710*
R8605	ERJ2GEJ102	M 1K OHM, 0.063W	DZ6710*
R8606	ERJ2GEJ102	M 1K OHM, 0.063W	DZ6710*
R8609	D1HG5608A002	RESISTOR	DZ6710*
R8610	D1HG5608A002	RESISTOR	DZ6710*
R8611	D1HG5608A002	RESISTOR	DZ6710*
R8612	D1HG5608A002	RESISTOR	DZ6710*
R8613	D1HG5608A002	RESISTOR	DZ6710*
R8614	D1HG5608A002	RESISTOR	DZ6710*
R8618	ERJ3EKF1200	M 120 OHM, 0.063W	DZ6710*
R8621	ERJ3EKF1200	M 120 OHM, 0.063W	DZ6710*
R8625	ERJ3GEYJ472	M 4.7KOHM, J, 1/16W	DZ6710*
R8627	ERJ3GEYJ472	M 4.7KOHM, J, 1/16W	DZ6710*
R8629	ERJ3GEYJ472	M 4.7KOHM, J, 1/16W	DZ6710*
R8631	ERJ3GEYJ100	M 10 OHM, J, 1/16W	DZ6710*
R8632	ERJ3GEYJ472	M 4.7KOHM, J, 1/16W	DZ6710*
R8634	ERJ3GEYJ100	M 10 OHM, J, 1/16W	DZ6710*
R8635	ERJ2GE0R00	M 0 OHM, 0.063W	DZ6710*
R8636	ERJ2GE0R00	M 0 OHM, 0.063W	DZ6710*
R8637	ERJ2GE0R00	M 0 OHM, 0.063W	DZ6710*
R8638	ERJ2GE0R00	M 0 OHM, 0.063W	DZ6710*
R8639	ERJ2GE0R00	M 0 OHM, 0.063W	DZ6710*
R8640	ERJ2GE0R00	M 0 OHM, 0.063W	DZ6710*
R8641	ERJ2GE0R00	M 0 OHM, 0.063W	DZ6710*
R8642	ERJ2GE0R00	M 0 OHM, 0.063W	DZ6710*
R8643	ERJ2GE0R00	M 0 OHM, 0.063W	DZ6710*
R8644	ERJ2GE0R00	M 0 OHM, 0.063W	DZ6710*
R8645	ERJ2GE0R00	M 0 OHM, 0.063W	DZ6710*
R8646	ERJ2GE0R00	M 0 OHM, 0.063W	DZ6710*

Ref. No.	Part No.	Part Name & Description	Remarks
R8647	ERJ2GE0R00	M 0 OHM, 0.063W	DZ6710*
R8648	ERJ2GE0R00	M 0 OHM, 0.063W	DZ6710*
R8649	ERJ2GE0R00	M 0 OHM, 0.063W	DZ6710*
R8650	ERJ2GE0R00	M 0 OHM, 0.063W	DZ6710*
R8651	ERJ2GE0R00	M 0 OHM, 0.063W	DZ6710*
R8652	ERJ2GE0R00	M 0 OHM, 0.063W	DZ6710*
R8653	ERJ2GE0R00	M 0 OHM, 0.063W	DZ6710*
R8654	ERJ2GE0R00	M 0 OHM, 0.063W	DZ6710*
R8655	ERJ2GE0R00	M 0 OHM, 0.063W	DZ6710*
R8656	ERJ2GE0R00	M 0 OHM, 0.063W	DZ6710*
R8801	ERD25VJ1R0T	RESISTOR	
R8802	ERJ3GEYJ223	M 22K OHM, J, 1/16W	
R8803	ERJ3GEYJ182	M 1.8KOHM, J, 1/16W	
R8804	ERJ3GEYJ472	M 4.7KOHM, J, 1/16W	
R8805	ERJ6GEY0R00	M 0 OHM, J, 1/10W	
R8806	DIHG1018A002	RESISTOR	
R8807	ERJ6GEYJ101	M 100 OHM, J, 1/10W	
R8808	ERJ6GEYJ101	M 100 OHM, J, 1/10W	
R8809	ERJ6GEYG391	M 390 OHM, J, 1/10W	
R8810	ERJ3GEYJ223	M 22K OHM, J, 1/16W	
R8811	ERJ6GEYJ2R2	M 2.2 OHM, J, 1/10W	
R8812	ERJ3GEYJ272	M 2.7KOHMJ, J1/16W	
R8813	ERJ6GEYJ101	M 100 OHM, J, 1/10W	
R8814	ERJ3GEYJ272	M 2.7KOHMJ, J1/16W	
R8815	ERJ3GEYJ472	M 4.7KOHM, J, 1/16W	
R8816	ERJ3GEYJ101	M 100 OHM, J, 1/16W	
R8817	ERJ6GEY0R00	M 0 OHM, J, 1/10W	
R8818	ERJ3GEYJ101	M 100 OHM, J, 1/16W	
R8819	ERJ6GEYJ101	M 100 OHM, J, 1/10W	
R8820	ERJ6GEYJ101	M 100 OHM, J, 1/10W	
R8821	ERJ6GEYJ101	M 100 OHM, J, 1/10W	
R8822	ERJ6GEYJ101	M 100 OHM, J, 1/10W	
R8823	ERJ6GEYJ101	M 100 OHM, J, 1/10W	
R8824	ERJ6GEYJ101	M 100 OHM, J, 1/10W	
R8825	ERJ6GEYJ101	M 100 OHM, J, 1/10W	
R8826	ERJ6GEYJ101	M 100 OHM, J, 1/10W	
R8827	ERJ3GEYJ182	M 1.8KOHM, J, 1/16W	
R8828	EXB28V472J	RESISTOR ARRAY	
R8829	EXB28V472J	RESISTOR ARRAY	
R8844	ERJ3GEYJ101	M 100 OHM, J, 1/16W	
R8845	ERJ3GEYJ223	M 22K OHM, J, 1/16W	
R8846	ERJ3GEYJ333	M 33K OHM, J, 1/16W	
R8848	ERJ3EKF2202	RESISTOR	
R8849	ERJ3EKF2202	RESISTOR	
R8850	ERJ3EKF2202	RESISTOR	
R8851	ERJ3EKF2202	RESISTOR	
R8852	ERJ3EKF2202	RESISTOR	
R8853	ERJ3EKF2202	RESISTOR	
R8854	ERJ3EKF2202	RESISTOR	
R8855	ERJ3EKF2202	RESISTOR	
R8856	ERJ3EKF2202	RESISTOR	
R8857	ERJ3EKF2202	RESISTOR	
R8858	ERJ3EKF2202	RESISTOR	
R8859	ERJ3EKF2202	RESISTOR	
R8860	ERJ3EKF2202	RESISTOR	
R8861	ERJ3EKF2202	RESISTOR	
R8862	ERJ3EKF2202	RESISTOR	
R8863	ERJ3EKF2202	RESISTOR	
R8864	ERJ3EKF2202	RESISTOR	
R8865	ERJ3EKF2202	RESISTOR	
R8866	ERJ3EKF2202	RESISTOR	
R8867	ERJ3EKF2202	RESISTOR	
R8868	ERJ3EKF2202	RESISTOR	
R8869	ERJ3EKF2202	RESISTOR	
R9630	ERJ14YJ3R3	M 3.3 OHM, J, 1/4W	(B-PCB)
R9631	ERJ8GEYJ220	M 22 OHM, J, 1/4W	(B-PCB)
R9632	ERJ14YJ5R6	M 5.6 OHM, J, 1/4W	(B-PCB)
R9633	ERJ8GEYJ100	M 10 OHM, J, 1/4W	(B-PCB)
R9634	ERJ8GEYJ100	M 10 OHM, J, 1/4W	(B-PCB)
R9636	ERJ14YJ3R3	M 3.3 OHM, J, 1/4W	(B-PCB)
R9637	ERJ8GEYJ220	M 22 OHM, J, 1/4W	(B-PCB)
R9638	ERJ14YJ5R6	M 5.6 OHM, J, 1/4W	(B-PCB)
R9640	ERJ8GEYJ100	M 10 OHM, J, 1/4W	(B-PCB)

Ref. No.	Part No.	Part Name & Description	Remarks
R9653	DOXGR10KA001	RESISTOR	(B-PCB)
R9950	ERJ6ENF5601	M 5.6KOHM, 1/10W	
R9951	ERJ3EKF1501	M 1.5KOHM, 1/16W	
R9952	ERJ3EKF1501	M 1.5KOHM, 1/16W	
R9953	ERJ3EKF2201	RESISTOR	
R9954	ERJ6ENF3301	M 3.3KOHM, 1/10W	
R9955	ERJ6ENF6801	M 6.8KOHM, 1/10W	
R9956	ERJ3EKF3302	M 33KOHM, 1/16W	
R9957	ERJ6ENF5601	M 5.6KOHM, 1/10W	
R9958	ERJ3EKF1501	M 1.5KOHM, 1/16W	
R9959	ERJ3EKF1501	M 1.5KOHM, 1/16W	
R9960	ERJ3EKF2201	RESISTOR	
R9961	ERJ6ENF3301	M 3.3KOHM, 1/10W	
R9962	ERJ6ENF6801	M 6.8KOHM, 1/10W	
R9963	ERJ3EKF3302	M 33KOHM, 1/16W	
R9964	ERJ6ENF5601	M 5.6KOHM, 1/10W	
R9965	ERJ3EKF1501	M 1.5KOHM, 1/16W	
R9966	ERJ3EKF1501	M 1.5KOHM, 1/16W	
R9967	ERJ3EKF2201	RESISTOR	
R9968	ERJ6ENF3301	M 3.3KOHM, 1/10W	
R9969	ERJ6ENF6801	M 6.8KOHM, 1/10W	
R9970	ERJ3EKF3302	M 33KOHM, 1/16W	
R9971	ERJ3GEYJ470	M 47 OHM, J, 1/16W	
		[CAPACITORS]	
C1800	FIG1C104A077	CAPACITOR	
C1801	FIG1C104A077	CAPACITOR	
C1802	FIG1C104A077	CAPACITOR	
C1803	FIH1C104A041	CAPACITOR	
C1804	FIH0J1050012	CAPACITOR	
C1807	FIG1C104A077	CAPACITOR	
C1808	FIJ0J106A013	CAPACITOR	
C1809	FIG1C104A077	CAPACITOR	
C1810	FIH0J1050012	CAPACITOR	
C1814	FIJ0J106A013	CAPACITOR	
C1815	FIG1C104A077	CAPACITOR	
C1816	FIG1C104A077	CAPACITOR	
C1818	ECJ1VC1H100D	CAPACITOR	
C1819	FIG1C104A077	CAPACITOR	
C1820	FIG1C104A077	CAPACITOR	
C1821	FIH0J1050012	CAPACITOR	
C1822	FIG1C104A077	CAPACITOR	
C1823	FIJ0J106A013	CAPACITOR	
C1824	FIG1C104A077	CAPACITOR	
C1825	FIG1C104A077	CAPACITOR	
C1826	FIG1C104A077	CAPACITOR	
C1827	FIG1C104A077	CAPACITOR	
C1828	FIH0J1050012	CAPACITOR	
C1829	FIG1C104A077	CAPACITOR	
C1830	FIJ0J106A013	CAPACITOR	
C1831	FIG1C104A077	CAPACITOR	
C1832	FIH0J1050012	CAPACITOR	
C1833	FIJ0J106A013	CAPACITOR	
C1834	FIG1C104A077	CAPACITOR	
C1835	FIH0J1050012	CAPACITOR	
C1836	FIG1C104A077	CAPACITOR	
C1837	FIH0J1050012	CAPACITOR	
C1838	FIG1C104A077	CAPACITOR	
C1839	FIH0J1050012	CAPACITOR	
C1840	FIG1C104A077	CAPACITOR	
C1841	FIH0J1050012	CAPACITOR	
C1842	FIG1C104A077	CAPACITOR	
C1843	FIG1C104A077	CAPACITOR	
C1844	F2G1C1010040	CAPACITOR	
C1849	FIJ0J106A013	CAPACITOR	
C1850	ECJ1VC1H100D	CAPACITOR	
C1851	ECJ1VC1H100D	CAPACITOR	
C1852	FIG1C104A077	CAPACITOR	
C1853	FIG1C104A077	CAPACITOR	
C1854	FIJ0J106A013	CAPACITOR	
C1855	FIG1C104A077	CAPACITOR	
C1856	FIG1C104A077	CAPACITOR	

Ref. No.	Part No.	Part Name & Description	Remarks
C1857	F2G0J221A186	CAPACITOR	
C1858	F1G1C104A077	CAPACITOR	
C1859	F1J0J106A013	CAPACITOR	
C1860	F1G1C104A077	CAPACITOR	
C1861	ECJ1VBOJ474K	CAPACITOR	
C1862	F1J0J2260002	CAPACITOR	
C1865	F1J0J2260002	CAPACITOR	
C1866	F1J0J106A013	CAPACITOR	
C1868	F1G1C104A077	CAPACITOR	
C1869	F2G0J221A186	CAPACITOR	
C1870	F1G1C104A077	CAPACITOR	
C1879	F1J0J106A013	CAPACITOR	
C1880	F1G1C104A077	CAPACITOR	
C1882	F1G1C104A077	CAPACITOR	
C1883	F1G1C104A077	CAPACITOR	
C1884	F1G1C104A077	CAPACITOR	
C1885	F1G1C104A077	CAPACITOR	
C1886	F1G1C104A077	CAPACITOR	
C1887	F1G1C104A077	CAPACITOR	
C1888	F2G1C4700014	CAPACITOR	
C1889	F1G1C104A077	CAPACITOR	
C1890	F1G1C104A077	CAPACITOR	
C1891	F1G1C104A077	CAPACITOR	
C1892	F1G1C104A077	CAPACITOR	
C1894	F1J0J106A013	CAPACITOR	
C1895	F1G1H220A565	CAPACITOR	
C1896	EEFUD0J101R	CAPACITOR	
C1899	EEFUD0J101R	CAPACITOR	
C1900	F1J0J106A013	CAPACITOR	
C1901	F1G1C104A077	CAPACITOR	
C1902	F1G1C104A077	CAPACITOR	
C1903	F1G1C104A077	CAPACITOR	
C1904	F1G1C104A077	CAPACITOR	
C1905	F1G1C104A077	CAPACITOR	
C1906	F1G1C104A077	CAPACITOR	
C1907	ECJ0EC1H150J	CAPACITOR	
C1913	F1J0J106A013	CAPACITOR	
C1914	F1G1C104A077	CAPACITOR	
C1915	F1H0J1050012	CAPACITOR	
C1918	F1H0J1050012	CAPACITOR	
C1923	F1J0J106A013	CAPACITOR	
C1924	F1H0J1050012	CAPACITOR	
C1925	F1H0J1050012	CAPACITOR	
C1926	F1G1C104A077	CAPACITOR	
C1927	F2G1C4700014	CAPACITOR	
C2001	F1H1A225A051	CAPACITOR	
C2002	F1G1C104A077	CAPACITOR	
C2004	F1G1H1020008	CAPACITOR	
C2005	F1G1H1020008	CAPACITOR	
C2006	F1H1A225A051	CAPACITOR	
C2007	F1G1C104A077	CAPACITOR	
C2008	F1G1C104A077	CAPACITOR	
C2009	F1G1C104A077	CAPACITOR	
C2011	F1J0J2260002	CAPACITOR	
C2012	F1G1C104A077	CAPACITOR	
C2013	F1G1H1020008	CAPACITOR	
C2016	F1G1C104A077	CAPACITOR	
C2017	F1G1C104A077	CAPACITOR	
C2018	F1G1C104A077	CAPACITOR	
C2022	F1G1H1020008	CAPACITOR	
C2023	F2G0J4700010	CAPACITOR	
C2024	F1G1C104A077	CAPACITOR	
C2025	F1J1A106A043	CAPACITOR	
C2026	F2G0J1010013	CAPACITOR	
C2027	F1G1C104A077	CAPACITOR	
C2028	F1J0J2260002	CAPACITOR	
C2029	F1G1C104A077	CAPACITOR	
C2030	F1G1C104A077	CAPACITOR	
C2031	F1G1C104A077	CAPACITOR	
C2033	F1G1C104A077	CAPACITOR	
C2401	F1H1C105A008	CAPACITOR	
C2402	F1H1C105A008	CAPACITOR	
C2403	F1H1H120A860	CAPACITOR	

Ref. No.	Part No.	Part Name & Description	Remarks
C2404	F1H1H120A860	CAPACITOR	
C2405	F1G1C104A077	CAPACITOR	
C2406	F1G1H1020008	CAPACITOR	
C2407	F1G1C104A077	CAPACITOR	
C2408	F1H1E104A030	CAPACITOR	DZ6710*/DZ6700*
C2408	F1H1C104A008	CAPACITOR	DW6300*/D6000*
C2409	F1H1E104A030	CAPACITOR	DZ6710*/DZ6700*
C2409	F1H1C104A008	CAPACITOR	DW6300*/D6000*
C2410	F1H1C105A008	CAPACITOR	
C2411	F1G1C104A077	CAPACITOR	
C2412	F1H1E104A030	CAPACITOR	DZ6710*/DZ6700*
C2412	F1H1C104A008	CAPACITOR	DW6300*/D6000*
C2413	F1H1E104A030	CAPACITOR	DZ6710*/DZ6700*
C2413	F1H1C104A008	CAPACITOR	DW6300*/D6000*
C2502	EEHBOG101R	E 100UF, 4V	
C2504	F2G0J1010013	CAPACITOR	
C2505	F2G0J1010013	CAPACITOR	
C2506	F1G1C104A077	CAPACITOR	
C2507	F2G1E4R70007	CAPACITOR	
C2509	F1H1E104A030	CAPACITOR	DZ6710*/DZ6700*
C2509	F1H1H104A220	CAPACITOR	DW6300*/D6000*
C2510	F2G1E4R70007	CAPACITOR	
C2512	F2G0J4700010	CAPACITOR	
C2513	F1G1C104A077	CAPACITOR	
C2514	F2G0J4700010	CAPACITOR	
C2515	F1G1C104A077	CAPACITOR	
C2516	F1G1C104A077	CAPACITOR	
C2517	F1G1C1030008	CAPACITOR	
C2518	F1G1C1030008	CAPACITOR	
C2519	F1G1C1030008	CAPACITOR	
C2520	F1G1C1030008	CAPACITOR	
C2521	F4D272750005	CAPACITOR	
C2522	F4D272750005	CAPACITOR	
C2523	F4D272750005	CAPACITOR	
C2524	F4D272750005	CAPACITOR	
C2525	F4D272750005	CAPACITOR	
C2531	F2G1E3300010	CAPACITOR	
C2532	F1G1C104A077	CAPACITOR	
C2533	F1G1C104A077	CAPACITOR	
C2534	F2G1E3300010	CAPACITOR	
C2535	F1G1C104A077	CAPACITOR	
C2536	F1G1C104A077	CAPACITOR	
C2537	F2G1E3300010	CAPACITOR	
C2538	F1G1C104A077	CAPACITOR	
C2539	F1G1C104A077	CAPACITOR	
C2540	F2G1E3300010	CAPACITOR	
C2541	F1G1C104A077	CAPACITOR	
C2542	F1G1C104A077	CAPACITOR	
C2543	F2G1E3300010	CAPACITOR	
C2544	F1G1C104A077	CAPACITOR	
C2545	F1G1C104A077	CAPACITOR	
C2546	F2G1E3300010	CAPACITOR	
C2547	F1G1C104A077	CAPACITOR	
C2548	F1G1C104A077	CAPACITOR	
C2549	F2G1E3300010	CAPACITOR	
C2550	F1G1C104A077	CAPACITOR	
C2551	F1G1C104A077	CAPACITOR	
C2552	F2G1E3300010	CAPACITOR	
C2553	F1G1C104A077	CAPACITOR	
C2554	F1G1C104A077	CAPACITOR	
C2556	F2G1E3300010	CAPACITOR	
C2557	F1G1C104A077	CAPACITOR	
C2558	F2G1E3300010	CAPACITOR	
C2559	F2G1E3300010	CAPACITOR	
C2560	F1G1C104A077	CAPACITOR	
C2561	F2G1E4R70007	CAPACITOR	
C2562	F1G1C104A077	CAPACITOR	
C2563	F1G1C104A077	CAPACITOR	
C2564	F1G1C104A077	CAPACITOR	
C2565	F1G1C104A077	CAPACITOR	
C2566	F1G1C104A077	CAPACITOR	
C2567	F1G1C104A077	CAPACITOR	
C2568	F2G0J4700010	CAPACITOR	

Ref. No.	Part No.	Part Name & Description	Remarks
C2571	F1G1C104A077	CAPACITOR	
C2572	F1G1C104A077	CAPACITOR	
C2573	F1G1C104A077	CAPACITOR	
C2574	F1G1C104A077	CAPACITOR	
C2575	F1G1C104A077	CAPACITOR	
C2581	F2G1E3300010	CAPACITOR	
C2582	F2G1E3300010	CAPACITOR	
C2583	F1G1C104A077	CAPACITOR	
C2584	F1J1E105A197	CAPACITOR	
C2588	F1H1H151A792	CAPACITOR	
C2589	EEEFK1E101P	CAPACITOR	
C2590	F1H1E104A030	CAPACITOR	
C2591	F1G1C104A077	CAPACITOR	
C2592	F1G1C104A077	CAPACITOR	
C2593	F1G1C104A077	CAPACITOR	
C2594	F1H1E104A030	CAPACITOR	
C2595	F1H1H102A219	CAPACITOR	DZ6710*/DZ6700*
C2596	F1H1H102A219	CAPACITOR	DZ6710*/DZ6700*
C3001	F2G0J3300014	CAPACITOR	
C3002	F1H1A225A051	CAPACITOR	
C3010	F1H1H103A219	CAPACITOR	
C3011	F1H1H103A219	CAPACITOR	
C3012	F1G1H1020008	CAPACITOR	
C3013	F2G0J3300014	CAPACITOR	
C3014	F1H1A225A051	CAPACITOR	
C3016	F1G1C104A077	CAPACITOR	
C3020	F2G1C1000013	CAPACITOR	
C3021	F1G1H1020008	CAPACITOR	
C3022	F1G1H1020008	CAPACITOR	
C3023	F1H1A225A051	CAPACITOR	
C3024	F1J1A106A043	CAPACITOR	
C3031	F1G1C104A077	CAPACITOR	
C3032	F2G1C4700014	CAPACITOR	
C3033	F1H1C105A008	CAPACITOR	DZ6710*/DZ6700*
C3033	F1H1A105A036	CAPACITOR	DW6300*/D6000*
C3041	EEHP1E220P	CAPACITOR	
C3042	F1H1H103A219	CAPACITOR	
C3043	F1G1C104A077	CAPACITOR	
C3044	F1K1C4750023	CAPACITOR	DZ6710*/DZ6700*
C3044	F1K1C475A111	CAPACITOR	DW6300*/D6000*
C3045	F1G1C104A077	CAPACITOR	
C3051	EEHP1E220P	CAPACITOR	
C3059	F1G1C104A077	CAPACITOR	
C3061	F1H1H103A219	CAPACITOR	
C3062	EEHP1E220P	CAPACITOR	
C3064	F1K1C4750023	CAPACITOR	DZ6710*/DZ6700*
C3064	F1K1C475A111	CAPACITOR	DW6300*/D6000*
C3065	F1G1C104A077	CAPACITOR	
C3071	EEHP1E220P	CAPACITOR	
C3081	F1J1A106A043	CAPACITOR	
C3083	F1H1H3R0A508	CAPACITOR	
C3086	F1H1H1010005	CAPACITOR	
C3087	F1G1C104A077	CAPACITOR	
C3091	EEHP1A330P	CAPACITOR	
C3093	F1H1H3R0A508	CAPACITOR	
C3101	F1J1A106A043	CAPACITOR	
C3103	F1H1H3R0A508	CAPACITOR	
C3106	F1H1H1010005	CAPACITOR	
C3107	F1G1C104A077	CAPACITOR	
C3108	F1G1C104A077	CAPACITOR	DW6300*/D6000*
C3109	F1G1C104A077	CAPACITOR	DW6300*/D6000*
C3110	F1G1C104A077	CAPACITOR	DZ6710*/DZ6700*
C3111	F1G1C104A077	CAPACITOR	DZ6710*/DZ6700*
C3113	F1H1H3R0A508	CAPACITOR	
C3114	EEHP1A330P	CAPACITOR	
C3120	F1G1H1020008	CAPACITOR	DZ6710*/DZ6700*
C3121	F1G1C104A077	CAPACITOR	
C3122	F1G1C104A077	CAPACITOR	
C3123	F1G1C104A077	CAPACITOR	
C3124	F1G1H1020008	CAPACITOR	
C3125	F1G1C104A077	CAPACITOR	
C3126	F1G1H1020008	CAPACITOR	DW6300*/D6000*
C3127	F1G1C104A077	CAPACITOR	

Ref. No.	Part No.	Part Name & Description	Remarks
C3128	F1G1C104A077	CAPACITOR	
C3129	F1J1A106A043	CAPACITOR	DZ6710*/DZ6700*
C3130	F1G1C104A077	CAPACITOR	DZ6710*/DZ6700*
C3200	F1H1H103A219	CAPACITOR	DW6300*/D6000*
C3201	F1J1A106A043	CAPACITOR	DZ6710*/DZ6700*
C3201	F1G1C104A077	CAPACITOR	DW6300*/D6000*
C3202	F1G1C104A077	CAPACITOR	DZ6710*/DZ6700*
C3202	F1H1C8230002	CAPACITOR	DW6300*/D6000*
C3203	F1G1C104A077	CAPACITOR	
C3204	F1G1C104A077	CAPACITOR	DZ6710*/DZ6700*
C3204	F1G1C822A081	CAPACITOR	DW6300*/D6000*
C3205	F1G1C104A077	CAPACITOR	DZ6710*/DZ6700*
C3205	F1H1A824A036	CAPACITOR	DW6300*/D6000*
C3206	F1H1C393A041	CAPACITOR	DW6300*/D6000*
C3207	F1H1C8230002	CAPACITOR	DW6300*/D6000*
C3208	F1H1H103A219	CAPACITOR	DW6300*/D6000*
C3209	F1G1C104A077	CAPACITOR	DW6300*/D6000*
C3211	F1J1A106A043	CAPACITOR	DZ6710*/DZ6700*
C3211	F1G1C104A077	CAPACITOR	DW6300*/D6000*
C3212	F1J1A106A043	CAPACITOR	
C3213	F1G1C104A077	CAPACITOR	
C3214	F1G1C104A077	CAPACITOR	
C3215	F1J1A106A043	CAPACITOR	
C3216	F1J1A106A043	CAPACITOR	
C3217	F1J1A106A043	CAPACITOR	
C3218	F1G1C104A077	CAPACITOR	
C3219	F1G1C104A077	CAPACITOR	
C3220	F1G1C104A077	CAPACITOR	
C3221	F1G1C104A077	CAPACITOR	
C3222	F1G1C104A077	CAPACITOR	
C3223	F1G1C104A077	CAPACITOR	
C3224	F1G1C104A077	CAPACITOR	
C3225	F1G1C104A077	CAPACITOR	
C3226	F1G1C104A077	CAPACITOR	
C3227	F1G1C104A077	CAPACITOR	
C3228	F1G1C104A077	CAPACITOR	
C3229	F1G1C104A077	CAPACITOR	
C3230	F1G1C104A077	CAPACITOR	
C3231	F1G1C104A077	CAPACITOR	
C3232	F1G1C104A077	CAPACITOR	DZ6710*/DZ6700*
C3232	F1J1A106A043	CAPACITOR	DW6300*/D6000*
C3233	F1G1C104A077	CAPACITOR	DW6300*/D6000*
C3236	F1J1A106A043	CAPACITOR	DW6300*/D6000*
C3237	F1G1C104A077	CAPACITOR	DW6300*/D6000*
C3238	F1H1H103A219	CAPACITOR	DW6300*/D6000*
C3239	F1G1C104A077	CAPACITOR	
C3240	F1J1A106A043	CAPACITOR	
C3241	F1G1C104A077	CAPACITOR	
C3242	F1G1C104A077	CAPACITOR	
C3243	EEHB0J330R	E 33UF, 6.3V	
C3244	F1G1C104A077	CAPACITOR	
C3245	F1G1C1030008	CAPACITOR	
C3252	F1G1C104A077	CAPACITOR	DW6300*/D6000*
C3253	F1J1A106A043	CAPACITOR	DW6300*/D6000*
C3254	F1H1H103A219	CAPACITOR	DW6300*/D6000*
C3255	F1G1C104A077	CAPACITOR	DW6300*/D6000*
C3256	F1J1A106A043	CAPACITOR	DW6300*/D6000*
C3257	F1G1C104A077	CAPACITOR	DW6300*/D6000*
C3258	F1J1A106A043	CAPACITOR	DW6300*/D6000*
C3259	F1G1C104A077	CAPACITOR	DW6300*/D6000*
C3260	EEHB0G101R	E 100UF, 4V	DW6300*/D6000*
C3271	F1G1C104A077	CAPACITOR	DZ6710*/DZ6700*
C3272	EEHB0J330R	E 33UF, 6.3V	DZ6710*/DZ6700*
C3275	F1G1C104A077	CAPACITOR	DZ6710*/DZ6700*
C3276	F1J1A106A043	CAPACITOR	DZ6710*/DZ6700*
C3277	F1H1A225A051	CAPACITOR	DW6300*/D6000*
C3278	F1G1H1020008	CAPACITOR	DW6300*/D6000*
C3279	F1G1H1020008	CAPACITOR	DW6300*/D6000*
C3280	F1H1A225A051	CAPACITOR	DW6300*/D6000*
C3281	F1J1A106A043	CAPACITOR	DW6300*/D6000*
C3283	F1H1A225A051	CAPACITOR	
C3284	F1G1H4710004	CAPACITOR	DZ6710*/DZ6700*
C3284	F1G1H1020008	CAPACITOR	DW6300*/D6000*

Ref. No.	Part No.	Part Name & Description	Remarks
C3286	F1G1C104A077	CAPACITOR	
C3287	F1J1A106A043	CAPACITOR	
C3288	F1G1C104A077	CAPACITOR	
C3289	EEEB0J330R	E 33UF, 6.3V	
C3290	F1G1C104A077	CAPACITOR	
C3291	F2H0J1010009	CAPACITOR	
C3303	F1G1C104A077	CAPACITOR	DW6300*/D6000*
C3304	F1G1C104A077	CAPACITOR	DW6300*/D6000*
C3305	F1G1C104A077	CAPACITOR	DW6300*/D6000*
C3306	F1G1H1020008	CAPACITOR	
C3307	F1G1C104A077	CAPACITOR	
C3308	F1G1C104A077	CAPACITOR	
C3309	F1G1C104A077	CAPACITOR	
C3310	F1G1H1020008	CAPACITOR	DW6300*/D6000*
C3311	F1G1C104A077	CAPACITOR	
C3312	F1J1A106A043	CAPACITOR	
C3313	F1G1C104A077	CAPACITOR	
C3314	F1J1A106A043	CAPACITOR	
C3315	F1G1C104A077	CAPACITOR	
C3316	F1H1H103A219	CAPACITOR	
C3317	F1G1C104A077	CAPACITOR	
C3318	F1J1A106A043	CAPACITOR	
C3319	F1H1H103A219	CAPACITOR	
C3320	F1G1C104A077	CAPACITOR	
C3321	F1J1A106A043	CAPACITOR	
C3322	F1G1C104A077	CAPACITOR	
C3323	F1G1C104A077	CAPACITOR	
C3324	F1G1C104A077	CAPACITOR	
C3325	F1G1C104A077	CAPACITOR	
C3326	F1G1C104A077	CAPACITOR	
C3327	F1G1C104A077	CAPACITOR	
C3328	F1H1C8230002	CAPACITOR	
C3329	F1G1C822A081	CAPACITOR	
C3330	F1G1C104A077	CAPACITOR	
C3331	F1G1C104A077	CAPACITOR	
C3332	F1G1C104A077	CAPACITOR	
C3333	F1G1C104A077	CAPACITOR	
C3334	F1G1C104A077	CAPACITOR	
C3335	F1G1C104A077	CAPACITOR	
C3336	F1G1C104A077	CAPACITOR	
C3337	F1G1C104A077	CAPACITOR	
C3338	F1G1C104A077	CAPACITOR	
C3339	F1J1A106A043	CAPACITOR	
C3340	F1G1C104A077	CAPACITOR	
C3341	F1G1C104A077	CAPACITOR	
C3342	F1G1C104A077	CAPACITOR	
C3343	F1J1A106A043	CAPACITOR	
C3344	F1J1A106A043	CAPACITOR	
C3345	F1G1C104A077	CAPACITOR	
C3348	F1G1C104A077	CAPACITOR	
C3349	F1G1C104A077	CAPACITOR	
C3350	F1G1C104A077	CAPACITOR	
C3351	F1H1C8230002	CAPACITOR	
C3352	F1H1H103A219	CAPACITOR	
C3353	F1H1A824A036	CAPACITOR	
C3354	F1H1C393A041	CAPACITOR	
C3356	F1G1C104A077	CAPACITOR	
C3357	EEEB0J330R	E 33UF, 6.3V	
C3358	F1G1C104A077	CAPACITOR	
C3359	F2H0J1010009	CAPACITOR	
C3365	F1G1C104A077	CAPACITOR	
C3366	EEEB0J330R	E 33UF, 6.3V	
C3368	F1G1H1020008	CAPACITOR	
C3369	F1H1A225A051	CAPACITOR	
C3370	F1H1A225A051	CAPACITOR	
C3371	F1G1H1020008	CAPACITOR	
C3373	F1G1H1020008	CAPACITOR	
C3374	F1H1A225A051	CAPACITOR	
C3375	EEEB0G101R	E 100UF, 4V	
C3376	F1J1A106A043	CAPACITOR	
C3377	F1G1C1030008	CAPACITOR	
C3378	F1G1H1020008	CAPACITOR	DW6300*/D6000*
C3379	F1G1C104A077	CAPACITOR	DW6300*/D6000*

Ref. No.	Part No.	Part Name & Description	Remarks
C3381	F1G1C104A077	CAPACITOR	DZ6710*/DZ6700*
C3382	F1G1C104A077	CAPACITOR	DZ6710*/DZ6700*
C3383	F1G1C104A077	CAPACITOR	DZ6710*/DZ6700*
C3384	F1G1H1020008	CAPACITOR	DZ6710*/DZ6700*
C3401	F1G1C104A077	CAPACITOR	DZ6710*/DZ6700*
C3402	F1G1C104A077	CAPACITOR	DZ6710*/DZ6700*
C3403	F1G1C104A077	CAPACITOR	DZ6710*/DZ6700*
C3404	F1G1C104A077	CAPACITOR	DZ6710*/DZ6700*
C3405	F1G1C104A077	CAPACITOR	DZ6710*/DZ6700*
C3406	F1G1C104A077	CAPACITOR	DZ6710*/DZ6700*
C3407	F1G1C104A077	CAPACITOR	DZ6710*/DZ6700*
C3408	F1G1C104A077	CAPACITOR	DZ6710*/DZ6700*
C3409	F1G1C104A077	CAPACITOR	DZ6710*/DZ6700*
C3412	F2G0J4700010	CAPACITOR	DZ6710*/DZ6700*
C3413	F1G1C104A077	CAPACITOR	DZ6710*/DZ6700*
C3414	F1G1C104A077	CAPACITOR	DZ6710*/DZ6700*
C3415	F1G1C104A077	CAPACITOR	DZ6710*/DZ6700*
C3416	F1G1C104A077	CAPACITOR	DZ6710*/DZ6700*
C3417	F1G1C104A077	CAPACITOR	DZ6710*/DZ6700*
C3418	F1G1C104A077	CAPACITOR	DZ6710*/DZ6700*
C3419	F1G1C104A077	CAPACITOR	DZ6710*/DZ6700*
C3420	F1G1C104A077	CAPACITOR	DZ6710*/DZ6700*
C3424	F1G1C1030008	CAPACITOR	DZ6710*/DZ6700*
C3425	F1G1C1030008	CAPACITOR	
C3430	F2G0G2210009	CAPACITOR	DZ6710*/DZ6700*
C3431	F1G1C104A077	CAPACITOR	DZ6710*/DZ6700*
C3432	F1J1A106A043	CAPACITOR	DZ6710*/DZ6700*
C3433	EEEB0J330R	E 33UF, 6.3V	DZ6710*/DZ6700*
C3434	F1G1C104A077	CAPACITOR	DZ6710*/DZ6700*
C3435	F2G1E4R70007	CAPACITOR	DZ6710*/DZ6700*
C3436	F1G1C104A077	CAPACITOR	DZ6710*/DZ6700*
C3437	F1H1C105A008	CAPACITOR	DZ6710*/DZ6700*
C3439	F1H1C105A008	CAPACITOR	DZ6710*/DZ6700*
C3450	F1G1C104A077	CAPACITOR	
C3451	F1G1C104A077	CAPACITOR	
C3452	F1G1C104A077	CAPACITOR	
C3453	F1G1C104A077	CAPACITOR	
C3454	F1G1C104A077	CAPACITOR	
C3455	F1G1C104A077	CAPACITOR	
C3456	F1G1C104A077	CAPACITOR	
C3457	F1G1C104A077	CAPACITOR	
C3458	F1G1C104A077	CAPACITOR	
C3459	F1G1C104A077	CAPACITOR	
C3460	F1G1C104A077	CAPACITOR	
C3461	F1G1C104A077	CAPACITOR	
C3462	F1G1C104A077	CAPACITOR	
C3463	F1G1C104A077	CAPACITOR	
C3464	F1G1C104A077	CAPACITOR	
C3465	F1G1C104A077	CAPACITOR	
C3466	F1G1C104A077	CAPACITOR	
C3467	F1G1C104A077	CAPACITOR	
C3468	F1G1C104A077	CAPACITOR	
C3469	F1G1C104A077	CAPACITOR	
C3470	F1G1C104A077	CAPACITOR	
C3471	F1G1C104A077	CAPACITOR	
C3472	F1G1C104A077	CAPACITOR	
C3473	F1G1C104A077	CAPACITOR	
C3474	F1G1C104A077	CAPACITOR	
C3475	F1G1C104A077	CAPACITOR	
C3476	F1G1C104A077	CAPACITOR	
C3477	F1G1C104A077	CAPACITOR	
C3478	F1G1C104A077	CAPACITOR	
C3479	F1G1C104A077	CAPACITOR	
C3484	F1G1C1030008	CAPACITOR	
C3485	F1G1H1020008	CAPACITOR	
C3486	F1J1A106A043	CAPACITOR	
C3487	F1G1C1030008	CAPACITOR	
C3488	F1G1H1020008	CAPACITOR	
C3489	F1J1A106A043	CAPACITOR	
C3490	F2G0G2210009	CAPACITOR	
C3491	F1G1C104A077	CAPACITOR	
C3492	F1J1A106A043	CAPACITOR	
C3493	F2G1E4R70007	CAPACITOR	

Ref. No.	Part No.	Part Name & Description	Remarks
C3809	FIJ1A106A043	CAPACITOR	DZ6710*/DZ6700*
C3810	FIG1C104A077	CAPACITOR	DZ6710*/DZ6700*
C3811	FIG1C104A077	CAPACITOR	DZ6710*/DZ6700*
C3812	FIG1C104A077	CAPACITOR	DZ6710*/DZ6700*
C3813	FIG1C104A077	CAPACITOR	DZ6710*/DZ6700*
C3814	FIG1C104A077	CAPACITOR	DZ6710*/DZ6700*
C3815	FIG1C104A077	CAPACITOR	DZ6710*/DZ6700*
C3816	FIG1C104A077	CAPACITOR	DZ6710*/DZ6700*
C3817	FIG1C104A077	CAPACITOR	DZ6710*/DZ6700*
C3818	FIG1C104A077	CAPACITOR	DZ6710*/DZ6700*
C3819	FIG1C104A077	CAPACITOR	DZ6710*/DZ6700*
C3820	FIG1C104A077	CAPACITOR	DZ6710*/DZ6700*
C3821	FIG1C104A077	CAPACITOR	DZ6710*/DZ6700*
C3822	FIG1C104A077	CAPACITOR	DZ6710*/DZ6700*
C3823	FIG1C104A077	CAPACITOR	DZ6710*/DZ6700*
C3824	FIG1C104A077	CAPACITOR	DZ6710*/DZ6700*
C3825	FIG1C104A077	CAPACITOR	DZ6710*/DZ6700*
C3826	FIG1C104A077	CAPACITOR	DZ6710*/DZ6700*
C3830	FIG1C104A077	CAPACITOR	DZ6710*/DZ6700*
C3831	FIG1C104A077	CAPACITOR	DZ6710*/DZ6700*
C3832	FIG1C104A077	CAPACITOR	DZ6710*/DZ6700*
C3833	FIG1C104A077	CAPACITOR	DZ6710*/DZ6700*
C3834	FIG1C104A077	CAPACITOR	DZ6710*/DZ6700*
C3835	FIG1C104A077	CAPACITOR	DZ6710*/DZ6700*
C3836	FIG1C104A077	CAPACITOR	DZ6710*/DZ6700*
C3837	FIG1C104A077	CAPACITOR	DZ6710*/DZ6700*
C3838	FIJ1A106A043	CAPACITOR	DZ6710*/DZ6700*
C3839	FIJ1A106A043	CAPACITOR	DZ6710*/DZ6700*
C3841	FIG1C104A077	CAPACITOR	DZ6710*/DZ6700*
C3842	FIG1C104A077	CAPACITOR	DZ6710*/DZ6700*
C3843	FIG1C104A077	CAPACITOR	DZ6710*/DZ6700*
C3844	FIG1C104A077	CAPACITOR	DZ6710*/DZ6700*
C3845	FIG1C104A077	CAPACITOR	DZ6710*/DZ6700*
C3846	FIG1C104A077	CAPACITOR	DZ6710*/DZ6700*
C3847	FIG1C104A077	CAPACITOR	DZ6710*/DZ6700*
C3848	FIG1C104A077	CAPACITOR	DZ6710*/DZ6700*
C3849	FIG1C104A077	CAPACITOR	DZ6710*/DZ6700*
C3850	FIG1C104A077	CAPACITOR	DZ6710*/DZ6700*
C3851	FIG1C104A077	CAPACITOR	DZ6710*/DZ6700*
C3852	FIG1C104A077	CAPACITOR	
C3856	FIG1C104A077	CAPACITOR	DZ6710*/DZ6700*
C3860	F2G0G2210009	CAPACITOR	DZ6710*/DZ6700*
C3861	FIJ1A106A043	CAPACITOR	DZ6710*/DZ6700*
C3863	FIJ1A106A043	CAPACITOR	DZ6710*/DZ6700*
C3864	FIG1C104A077	CAPACITOR	DZ6710*/DZ6700*
C3865	F2G0J4700010	CAPACITOR	DZ6710*/DZ6700*
C3866	FIG1C104A077	CAPACITOR	DZ6710*/DZ6700*
C3868	FIG1C104A077	CAPACITOR	DZ6710*/DZ6700*
C3871	FIG1C104A077	CAPACITOR	
C3873	FIG1C104A077	CAPACITOR	
C3875	FIG1C104A077	CAPACITOR	
C3876	FIG1C104A077	CAPACITOR	DW6300*/D6000*
C3877	FIG1C104A077	CAPACITOR	
C3878	FIG1C104A077	CAPACITOR	
C3879	FIG1C104A077	CAPACITOR	
C3880	FIH1C105A008	CAPACITOR	DZ6710*/DZ6700*
C3880	FIH1A105A036	CAPACITOR	DW6300*/D6000*
C3881	FIG1C104A077	CAPACITOR	
C3882	FIH1C105A008	CAPACITOR	DZ6710*/DZ6700*
C3882	FIH1A105A036	CAPACITOR	DW6300*/D6000*
C3883	FIG1C104A077	CAPACITOR	
C3884	FIH1H1010005	CAPACITOR	
C3885	FIG1C104A077	CAPACITOR	
C3901	FIH1H1010005	CAPACITOR	
C3904	FIH1H1010005	CAPACITOR	
C3951	FIG1C104A077	CAPACITOR	DZ6710*/DZ6700*
C3952	FIG1C104A077	CAPACITOR	DZ6710*/DZ6700*
C3953	FIG1C104A077	CAPACITOR	DZ6710*/DZ6700*
C3954	FIG1C104A077	CAPACITOR	DZ6710*/DZ6700*
C3955	FIG1C104A077	CAPACITOR	DZ6710*/DZ6700*
C3956	FIG1C104A077	CAPACITOR	DZ6710*/DZ6700*
C3957	FIG1C104A077	CAPACITOR	DZ6710*/DZ6700*
C3958	FIG1C104A077	CAPACITOR	DZ6710*/DZ6700*

Ref. No.	Part No.	Part Name & Description	Remarks
C3959	FIG1C104A077	CAPACITOR	DZ6710*/DZ6700*
C3960	FIG1C104A077	CAPACITOR	DZ6710*/DZ6700*
C3961	FIG1C104A077	CAPACITOR	DZ6710*/DZ6700*
C3962	FIG1C104A077	CAPACITOR	
C3964	FIH1C105A008	CAPACITOR	DZ6710*/DZ6700*
C3965	FIG1C104A077	CAPACITOR	DZ6710*/DZ6700*
C3966	FIG1H680A565	CAPACITOR	DZ6710*/DZ6700*
C3967	FIG1C104A077	CAPACITOR	DZ6710*/DZ6700*
C3968	EEH80G101R	E 100UF, 4V	DZ6710*/DZ6700*
C3969	FIG1C104A077	CAPACITOR	DZ6710*/DZ6700*
C3970	EEH80G101R	E 100UF, 4V	DZ6710*/DZ6700*
C3971	FIH1C105A008	CAPACITOR	DZ6710*/DZ6700*
C3972	FIG1C104A077	CAPACITOR	DZ6710*/DZ6700*
C3973	FIG1H680A565	CAPACITOR	DZ6710*/DZ6700*
C3974	F2G0J4700010	CAPACITOR	
C3975	FIG1C104A077	CAPACITOR	
C3976	FIG1C104A077	CAPACITOR	
C4902	FIH1C104A008	CAPACITOR	
C8201	FIH0J1050012	CAPACITOR	DZ6710*
C8202	FIH0J1050012	CAPACITOR	DZ6710*
C8203	FIG1C104A077	CAPACITOR	DZ6710*
C8204	FIH0J1050012	CAPACITOR	DZ6710*
C8206	FIG1C104A077	CAPACITOR	DZ6710*
C8207	FIH0J475A010	CAPACITOR	DZ6710*
C8208	FIH1H104A731	CAPACITOR	DZ6710*
C8209	FIH0J475A010	CAPACITOR	DZ6710*
C8210	FIG1C104A077	CAPACITOR	DZ6710*
C8211	FIG1C104A077	CAPACITOR	DZ6710*
C8212	FIG1C104A077	CAPACITOR	DZ6710*
C8213	FIH1C333A041	CAPACITOR	DZ6710*
C8214	FIJ1A106A043	CAPACITOR	DZ6710*
C8215	FIG1C104A077	CAPACITOR	DZ6710*
C8216	FIG1C104A077	CAPACITOR	DZ6710*
C8217	FIG1C104A077	CAPACITOR	DZ6710*
C8218	FIG1C104A077	CAPACITOR	DZ6710*
C8219	FIJ1A106A043	CAPACITOR	DZ6710*
C8221	FIH1A105A036	CAPACITOR	DZ6710*
C8223	FIG1C104A077	CAPACITOR	DZ6710*
C8224	FIG1C104A077	CAPACITOR	DZ6710*
C8225	FIG1C104A077	CAPACITOR	DZ6710*
C8226	FIG1C104A077	CAPACITOR	DZ6710*
C8227	FIG1C104A077	CAPACITOR	DZ6710*
C8228	FIG1C104A077	CAPACITOR	DZ6710*
C8229	FIG1C104A077	CAPACITOR	DZ6710*
C8230	FIG1C104A077	CAPACITOR	DZ6710*
C8231	FIG1C104A077	CAPACITOR	DZ6710*
C8232	FIG1C104A077	CAPACITOR	DZ6710*
C8233	F2G1E4R70007	CAPACITOR	DZ6710*
C8234	FIG1C104A077	CAPACITOR	DZ6710*
C8235	FIG1C104A077	CAPACITOR	DZ6710*
C8236	FIG1C104A077	CAPACITOR	DZ6710*
C8237	FIH1A105A036	CAPACITOR	DZ6710*
C8238	F2G0J4700010	CAPACITOR	DZ6710*
C8239	FIG1C104A077	CAPACITOR	DZ6710*
C8240	FIG1C104A077	CAPACITOR	DZ6710*
C8241	F2G0G2210009	CAPACITOR	DZ6710*
C8242	FIG1C104A077	CAPACITOR	DZ6710*
C8243	FIG1C104A077	CAPACITOR	DZ6710*
C8244	FIG1C104A077	CAPACITOR	DZ6710*
C8245	FIG1C104A077	CAPACITOR	DZ6710*
C8246	FIJ1A106A043	CAPACITOR	DZ6710*
C8247	FIJ1A106A043	CAPACITOR	DZ6710*
C8248	FIG1C104A077	CAPACITOR	DZ6710*
C8249	FIG1C104A077	CAPACITOR	DZ6710*
C8254	FIJ1A106A043	CAPACITOR	DZ6710*
C8255	FIG1C104A077	CAPACITOR	DZ6710*
C8256	FIG1H1020008	CAPACITOR	DZ6710*
C8257	FIJ1A106A043	CAPACITOR	DZ6710*
C8258	FIG1C104A077	CAPACITOR	DZ6710*
C8259	FIJ1A106A043	CAPACITOR	DZ6710*
C8260	FIJ1A106A043	CAPACITOR	DZ6710*
C8261	FIJ1A106A043	CAPACITOR	DZ6710*
C8262	FIJ1A106A043	CAPACITOR	DZ6710*

Ref. No.	Part No.	Part Name & Description	Remarks
C8263	F1J1A106A043	CAPACITOR	DZ6710*
C8264	F1G1C104A077	CAPACITOR	DZ6710*
C8265	F1J1A106A043	CAPACITOR	DZ6710*
C8266	F1J1A106A043	CAPACITOR	DZ6710*
C8267	F1G1C104A077	CAPACITOR	DZ6710*
C8268	F1J1A106A043	CAPACITOR	DZ6710*
C8269	F1G1C104A077	CAPACITOR	DZ6710*
C8270	F2H0J1010009	CAPACITOR	DZ6710*
C8271	F1G1HR50A561	CAPACITOR	DZ6710*
C8272	F1G1HR50A561	CAPACITOR	DZ6710*
C8273	F1G1H1020008	CAPACITOR	DZ6710*
C8501	F2H0J1010009	CAPACITOR	DZ6710*
C8502	F1G1C104A077	CAPACITOR	DZ6710*
C8503	F1G1C104A077	CAPACITOR	DZ6710*
C8504	F1G1C104A077	CAPACITOR	DZ6710*
C8505	F1G1C104A077	CAPACITOR	DZ6710*
C8506	F1G1C104A077	CAPACITOR	DZ6710*
C8507	F1G1C104A077	CAPACITOR	DZ6710*
C8508	F1G1C104A077	CAPACITOR	DZ6710*
C8509	EEEB0G101R	E 100UF, 4V	DZ6710*
C8510	F1G1C104A077	CAPACITOR	DZ6710*
C8511	F1H1A105A036	CAPACITOR	DZ6710*
C8512	F1H1A105A036	CAPACITOR	DZ6710*
C8513	F1G1C104A077	CAPACITOR	DZ6710*
C8514	F1G1C104A077	CAPACITOR	DZ6710*
C8515	F1G1H680A565	CAPACITOR	DZ6710*
C8516	F1G1H680A565	CAPACITOR	DZ6710*
C8517	F1G1C104A077	CAPACITOR	DZ6710*
C8518	F1G1C104A077	CAPACITOR	DZ6710*
C8519	F1G1C104A077	CAPACITOR	DZ6710*
C8520	F1G1C104A077	CAPACITOR	DZ6710*
C8521	EEEB0G101R	E 100UF, 4V	DZ6710*
C8522	F1J1A106A043	CAPACITOR	DZ6710*
C8523	F1G1C104A077	CAPACITOR	DZ6710*
C8524	F1G1C104A077	CAPACITOR	DZ6710*
C8526	F1G1C104A077	CAPACITOR	DZ6710*
C8527	F1G1C104A077	CAPACITOR	DZ6710*
C8528	F1G1C104A077	CAPACITOR	DZ6710*
C8529	F1G1C104A077	CAPACITOR	DZ6710*
C8530	F1G1C104A077	CAPACITOR	DZ6710*
C8531	F1G1C104A077	CAPACITOR	DZ6710*
C8532	F1G1C104A077	CAPACITOR	DZ6710*
C8533	F1G1C104A077	CAPACITOR	DZ6710*
C8536	F1H1A105A036	CAPACITOR	DZ6710*
C8537	F2H0J1010009	CAPACITOR	DZ6710*
C8538	F1J1A106A043	CAPACITOR	DZ6710*
C8539	F1G1C104A077	CAPACITOR	DZ6710*
C8540	F1J1A106A043	CAPACITOR	DZ6710*
C8542	F1H1H2200008	CAPACITOR	DZ6710*
C8543	F1G1H1020008	CAPACITOR	DZ6710*
C8544	F1H1H4700006	CAPACITOR	DZ6710*
C8545	F1H1C683A041	CAPACITOR	DZ6710*
C8548	F1J1A106A043	CAPACITOR	DZ6710*
C8549	F1J1A106A043	CAPACITOR	DZ6710*
C8550	F2H0J1010009	CAPACITOR	DZ6710*
C8551	F1J1A106A043	CAPACITOR	DZ6710*
C8552	F1G1C104A077	CAPACITOR	DZ6710*
C8553	F1L0J107A017	CAPACITOR	DZ6710*
C8554	F1G1C104A077	CAPACITOR	DZ6710*
C8555	F1G1C104A077	CAPACITOR	DZ6710*
C8556	F1J1A106A043	CAPACITOR	DZ6710*
C8557	F1J1A106A043	CAPACITOR	DZ6710*
C8558	F1J1A106A043	CAPACITOR	DZ6710*
C8559	F1G1C104A077	CAPACITOR	DZ6710*
C8560	F1G1C104A077	CAPACITOR	DZ6710*
C8561	F1G1C104A077	CAPACITOR	DZ6710*
C8562	F1L0J107A017	CAPACITOR	DZ6710*
C8563	F1G1C104A077	CAPACITOR	DZ6710*
C8564	F1G1C104A077	CAPACITOR	DZ6710*
C8565	F1G1C104A077	CAPACITOR	DZ6710*
C8568	F1G1C104A077	CAPACITOR	DZ6710*
C8569	F1J1A106A043	CAPACITOR	DZ6710*
C8570	F1G1H1020008	CAPACITOR	DZ6710*

Ref. No.	Part No.	Part Name & Description	Remarks
C8571	F1G1C1030008	CAPACITOR	DZ6710*
C8572	F1G1C104A077	CAPACITOR	DZ6710*
C8573	F1G1C104A077	CAPACITOR	DZ6710*
C8574	F1G1C104A077	CAPACITOR	DZ6710*
C8575	F1G1C104A077	CAPACITOR	DZ6710*
C8576	F1G1C104A077	CAPACITOR	DZ6710*
C8577	F1G1C104A077	CAPACITOR	DZ6710*
C8578	F1G1C104A077	CAPACITOR	DZ6710*
C8579	F1G1C104A077	CAPACITOR	DZ6710*
C8580	F1G1C104A077	CAPACITOR	DZ6710*
C8581	F1G1C104A077	CAPACITOR	DZ6710*
C8582	F1G1C104A077	CAPACITOR	DZ6710*
C8583	F1G1C104A077	CAPACITOR	DZ6710*
C8584	F1G1C104A077	CAPACITOR	DZ6710*
C8585	F1G1C104A077	CAPACITOR	DZ6710*
C8586	F1G1C104A077	CAPACITOR	DZ6710*
C8587	F1G1C104A077	CAPACITOR	DZ6710*
C8588	F1J1A106A043	CAPACITOR	DZ6710*
C8589	F1G1H1020008	CAPACITOR	DZ6710*
C8590	F1G1C1030008	CAPACITOR	DZ6710*
C8591	F1G1C104A077	CAPACITOR	DZ6710*
C8592	F1G1C104A077	CAPACITOR	DZ6710*
C8593	F1G1C104A077	CAPACITOR	DZ6710*
C8594	F1G1C104A077	CAPACITOR	DZ6710*
C8595	F1J1A106A043	CAPACITOR	DZ6710*
C8596	F1G1C1030008	CAPACITOR	DZ6710*
C8597	F1G1H1020008	CAPACITOR	DZ6710*
C8598	F1G1C104A077	CAPACITOR	DZ6710*
C8599	F1G1C104A077	CAPACITOR	DZ6710*
C8600	F1G1C104A077	CAPACITOR	DZ6710*
C8601	F1G1C104A077	CAPACITOR	DZ6710*
C8602	F1G1C104A077	CAPACITOR	DZ6710*
C8603	F1G1C104A077	CAPACITOR	DZ6710*
C8604	F1G1C104A077	CAPACITOR	DZ6710*
C8605	F1G1C104A077	CAPACITOR	DZ6710*
C8606	F1G1C104A077	CAPACITOR	DZ6710*
C8607	F1J1A106A043	CAPACITOR	DZ6710*
C8608	F1G1C104A077	CAPACITOR	DZ6710*
C8609	F1G1C104A077	CAPACITOR	DZ6710*
C8610	F1G1C104A077	CAPACITOR	DZ6710*
C8611	F1G1C104A077	CAPACITOR	DZ6710*
C8612	F1G1C104A077	CAPACITOR	DZ6710*
C8613	F1G1C104A077	CAPACITOR	DZ6710*
C8614	F1G1C104A077	CAPACITOR	DZ6710*
C8615	F1G1C104A077	CAPACITOR	DZ6710*
C8616	F1J1A106A043	CAPACITOR	DZ6710*
C8617	F1G1C104A077	CAPACITOR	DZ6710*
C8618	F1G1C104A077	CAPACITOR	DZ6710*
C8619	F1G1C104A077	CAPACITOR	DZ6710*
C8620	F1G1C104A077	CAPACITOR	DZ6710*
C8621	F1G1C104A077	CAPACITOR	DZ6710*
C8622	F1G1C104A077	CAPACITOR	DZ6710*
C8623	F1G1C104A077	CAPACITOR	DZ6710*
C8624	F1G1C104A077	CAPACITOR	DZ6710*
C8625	F1G1H1020008	CAPACITOR	DZ6710*
C8626	F1G1H1020008	CAPACITOR	DZ6710*
C8627	F1G1C1030008	CAPACITOR	DZ6710*
C8628	F1G1C1030008	CAPACITOR	DZ6710*
C8631	F1G1C104A077	CAPACITOR	DZ6710*
C8632	F1G1C104A077	CAPACITOR	DZ6710*
C8633	F1G1C104A077	CAPACITOR	DZ6710*
C8634	F1G1C104A077	CAPACITOR	DZ6710*
C8635	F1G1C104A077	CAPACITOR	DZ6710*
C8636	F1G1C104A077	CAPACITOR	DZ6710*
C8637	F1G1C104A077	CAPACITOR	DZ6710*
C8638	F1G1C104A077	CAPACITOR	DZ6710*
C8639	F1G1C104A077	CAPACITOR	DZ6710*
C8640	F1G1C104A077	CAPACITOR	DZ6710*
C8641	F1G1C104A077	CAPACITOR	DZ6710*
C8642	F1G1C104A077	CAPACITOR	DZ6710*
C8643	F1G1C104A077	CAPACITOR	DZ6710*
C8644	F1G1C104A077	CAPACITOR	DZ6710*
C8645	F1G1C104A077	CAPACITOR	DZ6710*

Ref. No.	Part No.	Part Name & Description	Remarks
C8646	FIG1C104A077	CAPACITOR	DZ6710*
C8647	FIG1C104A077	CAPACITOR	DZ6710*
C8648	FIG1C104A077	CAPACITOR	DZ6710*
C8649	FIG1C104A077	CAPACITOR	DZ6710*
C8650	FIG1C104A077	CAPACITOR	DZ6710*
C8651	FIG1C104A077	CAPACITOR	DZ6710*
C8652	FIG1C104A077	CAPACITOR	DZ6710*
C8653	FIG1C104A077	CAPACITOR	DZ6710*
C8654	FIG1C104A077	CAPACITOR	DZ6710*
C8655	FIG1C104A077	CAPACITOR	DZ6710*
C8656	FIG1C104A077	CAPACITOR	DZ6710*
C8657	FIG1C104A077	CAPACITOR	DZ6710*
C8658	FIG1C104A077	CAPACITOR	DZ6710*
C8659	EEHBOG101R	E 100UF, 4V	DZ6710*
C8660	FIG1C104A077	CAPACITOR	DZ6710*
C8661	EEHBOG101R	E 100UF, 4V	DZ6710*
C8662	FIG1C104A077	CAPACITOR	DZ6710*
C8663	FIG1C104A077	CAPACITOR	DZ6710*
C8664	FIG1C104A077	CAPACITOR	DZ6710*
C8665	FIG1C104A077	CAPACITOR	DZ6710*
C8666	F1H1A105A036	CAPACITOR	DZ6710*
C8667	FIG1C104A077	CAPACITOR	DZ6710*
C8668	FIG1H680A565	CAPACITOR	DZ6710*
C8669	F1H1A105A036	CAPACITOR	DZ6710*
C8670	FIG1C104A077	CAPACITOR	DZ6710*
C8671	FIG1H680A565	CAPACITOR	DZ6710*
C8672	FIG1C104A077	CAPACITOR	DZ6710*
C8673	FIG1C104A077	CAPACITOR	DZ6710*
C8674	FIG1C104A077	CAPACITOR	DZ6710*
C8675	FIG1C104A077	CAPACITOR	DZ6710*
C8676	FIG1C104A077	CAPACITOR	DZ6710*
C8689	FIG1C104A077	CAPACITOR	DZ6710*
C8690	FIG1C104A077	CAPACITOR	DZ6710*
C8695	F2H0J1010009	CAPACITOR	DZ6710*
C8696	F2H0J1010009	CAPACITOR	DZ6710*
C8801	FIG1C104A083	CAPACITOR	
C8802	FIG1C104A083	CAPACITOR	
C8803	FIG1C104A083	CAPACITOR	
C8804	EEHBOJ470R	E 47UF, 6.3V	
C8806	FIG1C104A083	CAPACITOR	
C8808	F1H1C104A008	CAPACITOR	
C8814	F1H1A105A036	CAPACITOR	
C8815	F1H1C104A008	CAPACITOR	
C8818	F1H1H103A219	CAPACITOR	
C8820	F1H1C104A008	CAPACITOR	
C8821	F1H1C104A008	CAPACITOR	
C8822	F1H1C104A008	CAPACITOR	
C8823	F1H1C104A008	CAPACITOR	
C8824	F1H1C104A008	CAPACITOR	
C8825	F1H1C104A008	CAPACITOR	
C8826	F1H1C104A008	CAPACITOR	
C8827	F1H1C104A008	CAPACITOR	
C8828	F1H1C104A008	CAPACITOR	
C8829	F1H1C104A008	CAPACITOR	
C9610	FOC2G1050004	CAPACITOR	(B-PCB)
C9615	FOC3C4720003	CAPACITOR	(B-PCB)
C9618	FOC2J1540004	CAPACITOR	(B-PCB)
C9619	FOC2J1540004	CAPACITOR	(B-PCB)
C9950	F1H1C104A008	CAPACITOR	
C9951	F1H1C104A008	CAPACITOR	
C9952	EEHBOJ470R	E 47UF, 6.3V	
		[OTHERS]	
A1	K1KA06A00508	CONNECTOR	
A3	K1MY16AA0006	CONNECTOR	
A4	K1MN32AA0041	CONNECTOR	DZ6710*/DZ6700*
A5	K1KA10A00416	CONNECTOR	
A7	K1KA04AA00667	4P CONNECTOR	
A8	K1KA05A00466	CONNECTOR	
A9	K1KA02AA0104	2P CONNECTOR	
A10	K1KA02AA0150	2P CONNECTOR	
A12	K1KA06A00508	CONNECTOR	

Ref. No.	Part No.	Part Name & Description	Remarks
A18	K1KA11B00092	CONNECTOR	DZ6710*/DZ6700*
A19	K1KA06BA00050	CONNECTOR	DZ6710*/DZ6700*
A20	K1KA10A00416	CONNECTOR	
A21	K1KA04AA0264	4P CONNECTOR	
A22	K1KA14A00248	CONNECTOR	
A24	K1KA06AA0104	CONNECTOR	
A25	K1KA06AA0104	CONNECTOR	
A30	K1KA03AA0104	3P CONNECTOR	
A32	K1KA03AA0104	3P CONNECTOR	
A33	K1KA03AA0104	3P CONNECTOR	
A35	K1KA20AA0009	CONNECTOR	
A40	K1KA31A00007	CONNECTOR	
A41	K1KA21A00011	CONNECTOR	DZ6710*/DZ6700*
A42	K1KA06AA0150	CONNECTOR	
A43	K1KA08AA0104	CONNECTOR	
A44	K1KA08AA0150	CONNECTOR	
A50	K1KB80A00142	CONNECTOR	
A71	K1KA07AA0266	CONNECTOR	DZ6710*/DZ6700*
A72	K1KA07AA0266	CONNECTOR	
A75	K1KA04AA0104	4P CONNECTOR	DW6300*/D6000*
A76	K1KA20AA0184	CONNECTOR	
CN2401	K1KA04AA0083	4P CONNECTOR	DZ6710*/DZ6700*
CW1	K1KA03AA0263	3P CONNECTOR	
J1	K1MY16BA0031	CONNECTOR	
J2	K1MN32BA0131	CONNECTOR	DZ6710*
J3	K1KA11A00178	CONNECTOR	DZ6710*
J4	K1KA06AA0150	CONNECTOR	DZ6710*
J5	K1KA31A00007	CONNECTOR	DZ6710*
J6	K1KA21A00011	CONNECTOR	DZ6710*
J7	K1KA31A00007	CONNECTOR	DZ6710*
J8	K1KA21A00011	CONNECTOR	DZ6710*
J10	K1KA08AA0104	CONNECTOR	DZ6710*
J13	K1KA07AA0266	CONNECTOR	DZ6710*
L11	K1KA04B00273	4P CONNECTOR	
L12	K1KA10A00443	CONNECTOR	
L21	K1KA05B00219	CONNECTOR	
L22	K1KA10A00443	CONNECTOR	
RL1	K1KA20AA0009	CONNECTOR	
RL3	K1KA04A00667	4P CONNECTOR	
RL4	K1KA03A00632	3P CONNECTOR	
RL5	K1KA04AA0104	4P CONNECTOR	
RL6	K1KA03AA0104	3P CONNECTOR	
RL8	K1KA07A00292	CONNECTOR	
RL9	K1KA02A00787	2P CONNECTOR	
RL10	K1KA06A00508	CONNECTOR	
RL11	K1KA02AA0104	2P CONNECTOR	
S1	K1KA06B00220	CONNECTOR	
WL1	K1KA80A00145	CONNECTOR	
WL2	K1KA07A00292	CONNECTOR	
WL3	K1KA06BA0014	CONNECTOR	
B3780	BCR20V4	BATTERY HOLDER	
JK2001	K2LC108B0064	TERMINAL	
JK3001	K1QBB1CB0005	BNC CONNECTOR	
JK3002	K1CB204BA002	MD CONNECTOR	
JK3003	K1QBB5AB0005	BNC CONNECTOR	
JK3004	K1FB115B0102	CONNECTOR	(D-SUB 15PIN)
JK3005	K1FB124B0026	DVI-CONNECTOR	
JK8201	K1QBB1BB0014	BNC CONNECTOR	DZ6710*
JK8801	K2HC103B0204	TERMINAL	
JK8802	K2HC103B0203	TERMINAL	
JK8803	K1FA109B0061	CONNECTOR	(D-SUB 9PIN)
JK8804	K1FB109B0070	CONNECTOR	(D-SUB 9PIN)
JK8805	K1FB109B0070	CONNECTOR	(D-SUB 9PIN)
PC4901	B3NBB0000005	PHOTO INTERRUPTER	
RM3970	B3RAD0000126	REMOTE RECEIVER PLATE	
RM9950	B3RAD0000142	REMOTE RECEIVER PLATE	
S9602	A9BZ00000013	SPARKGAP	(B-PCB)
SW9601	K0BDB0000082	SWITCH	
SW9950	EVQ11G05R	SWITCH	
SW9951	EVQ11G05R	SWITCH	
SW9952	EVQ11G05R	SWITCH	

Ref. No.	Part No.	Part Name & Description	Remarks
SW9953	EVQ11G05R	SWITCH	
SW9954	EVQ11G05R	SWITCH	
SW9955	EVQ11G05R	SWITCH	
SW9956	EVQ11G05R	SWITCH	
SW9957	EVQ11G05R	SWITCH	
SW9958	EVQ11G05R	SWITCH	
SW9959	EVQ11G05R	SWITCH	
SW9960	EVQ11G05R	SWITCH	
SW9961	EVQ11G05R	SWITCH	
SW9962	EVQ11G05R	SWITCH	
SW9963	EVQ11G05R	SWITCH	
SW9964	EVQ11G05R	SWITCH	
SW9965	EVQ11G05R	SWITCH	
SW9966	EVQ11G05R	SWITCH	
T9604	G4FYA0000010	TRANS (B-PCB)	△
X1701	H0J270500118	CRYSTAL	
X1702	H0J327200167	CRYSTAL	
X2401	H0J200500048	CRYSTAL	
X3511	H0J172500002	CRYSTAL	
X3780	H0J327200114	CRYSTAL	
X8201	H1A2705B0040	CRYSTAL	DZ6710*
X8501	H1A2705B0040	CRYSTAL	DZ6710*
ZA1402	K4CD01000011	REFLOW RUG TERMINAL	
ZA1404	K4CD01000011	REFLOW RUG TERMINAL	
ZA1800	K4CD01000013	REFLOW RUG TERMINAL	
ZA1801	K4CD01000013	REFLOW RUG TERMINAL	
ZA1802	K4CD01000013	REFLOW RUG TERMINAL	
ZA3001	K4AA04D00001	SMD SCREW TERMINAL	
RTL	TNPA4682	CIRCUIT BOARD F	△
RTL	TNPA4676AB	CIRCUIT BOARD WL	△
RTL	TXN/A1VKJ5	CIRCUIT BOARD A	△ DZ6710*/DZ6700*
	TXN/A1VKK7	CIRCUIT BOARD A	△ DW6300*/D6000*
RTL	TXN/J1VKJ9	CIRCUIT BOARD J2	△ DZ6710*
RTL	TXN/J1VKJ5	CIRCUIT BOARD J	△ DZ6700*/DW6300*/ D6000*
RTL	TXN/S1VKJ5	CIRCUIT BOARD S	△
RTL	TXNCW1VKJ5	CIRCUIT BOARD CW	△ DZ6710*/DZ6700*
	TXNCW1VKK7	CIRCUIT BOARD CW	△ DW6300*/D6000*
RTL	TXNRL1VKJ5	CIRCUIT BOARD RL	△
	TXAUX01VKJ5	POWER UNIT ASSY	△ DZ6710U/UL, DZ6700U/UL,DW630 0UK/US/ULK/ULS,D 6000UK/US/ULK/UL S
	TXAUX01QXDZ	POWER UNIT ASSY	△ DZ6710E/EL, DZ6700E/EL,DW630 0EK/ES/ELK/ELS,D 6000EK/ES/ELK/EL S
	TXN/B1VKJ5	BALLAST UNIT ASSY	△
	TNPA4846	CIRCUIT BOARD M1	△
	TNPA4847	CIRCUIT BOARD M2	△
RTL	TNPA4632	CIRCUIT BOARD R2	△ DZ6710*
	TNPA4799	CIRCUIT BOARD R2	△ DZ6700*/DW6300*/ D6000*
RTL	TNPA4683	CIRCUIT BOARD R3	△ DZ6710*
	TNPA4800	CIRCUIT BOARD R3	△ DZ6700*/DW6300*/ D6000*
	TXNL11VKJ5	CIRCUIT BOARD L1	△
	TXNL21VKJ5	CIRCUIT BOARD L2	△

Control Commands

PT-DZ6710*/DZ6710L*

PT-DZ6700*/DZ6700L*

PT-DW6300*/DW6300L*

PT-D6000*/D6000L*

Using the Serial Terminals

1. Basic Format

Transmission from the computer begins with STX, then the ID, command, parameter, and ETX are sent in this order.

Add parameters according to the details of control.

Basic control command (without parameter)

Start (STX)	ID	Separator (semicolon)	Command	End (ETX)
1 byte	4 bytes	1 byte	3 bytes	1 byte

Basic control command (with parameters)

Start (STX)	ID	Separator (semicolon)	Command	Separator (colon)	Parameters	End (ETX)
1 byte	4 bytes	1 byte	3 bytes	1 byte	Undefined length	1 byte

Basic control command (with subcommand)

Start (STX)	ID	Separator (semicolon)	Command	Separator (colon)		
1 byte	4 bytes	1 byte	3 bytes	1 byte		
Subcommand		Operation	Sign	Parameters		End (ETX)
5 bytes		1 byte	1 byte	5 bytes		1 byte

Operation

Specifies the method of processing the value specified by parameters.

Code	Description
=	Sets the value specified by the parameter.
_ (underbar)	Adds the value specified by the parameter to the current value.

Sign

Specifies positive or negative of the value specified by parameters.

Code	Description
+	The value specified by the parameter is a positive value or 0 (zero).
-	The value specified by the parameter is a negative value.

Parameters

Specify the setting or adjustment value by right justification (0 is not suppressed).

For example, when the setting value is "1", set it as "00001".