

SECTION 4 EXPLODED VIEWS AND ACCESSORIES

Note:

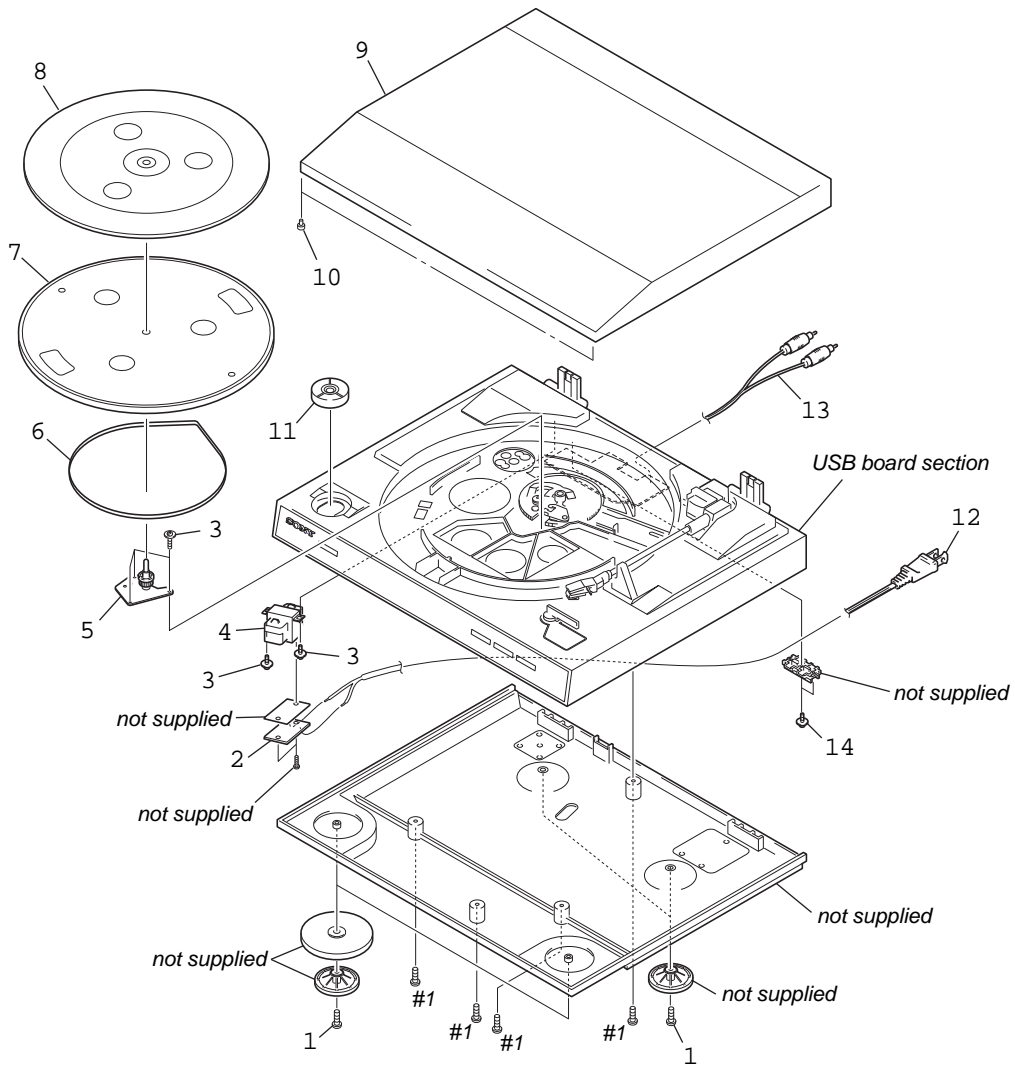
- -XX and -X mean standardized parts, so they may have some difference from the original one.
- Items marked “*” are not stocked since they are seldom required for routine service. Some delay should be anticipated when ordering these items.

- The mechanical parts with no reference number in the exploded views are not supplied.
- Color Indication of Appearance Parts Example:
KNOB, BALANCE (WHITE) . . . (RED)
↑ ↑
Parts Color Cabinet's Color

The components identified by mark \triangle or dotted line with mark \triangle are critical for safety. Replace only with part number specified.

Les composants identifiés par une marque \triangle sont critiques pour la sécurité. Ne les remplacer que par une pièce portant le numéro spécifié.

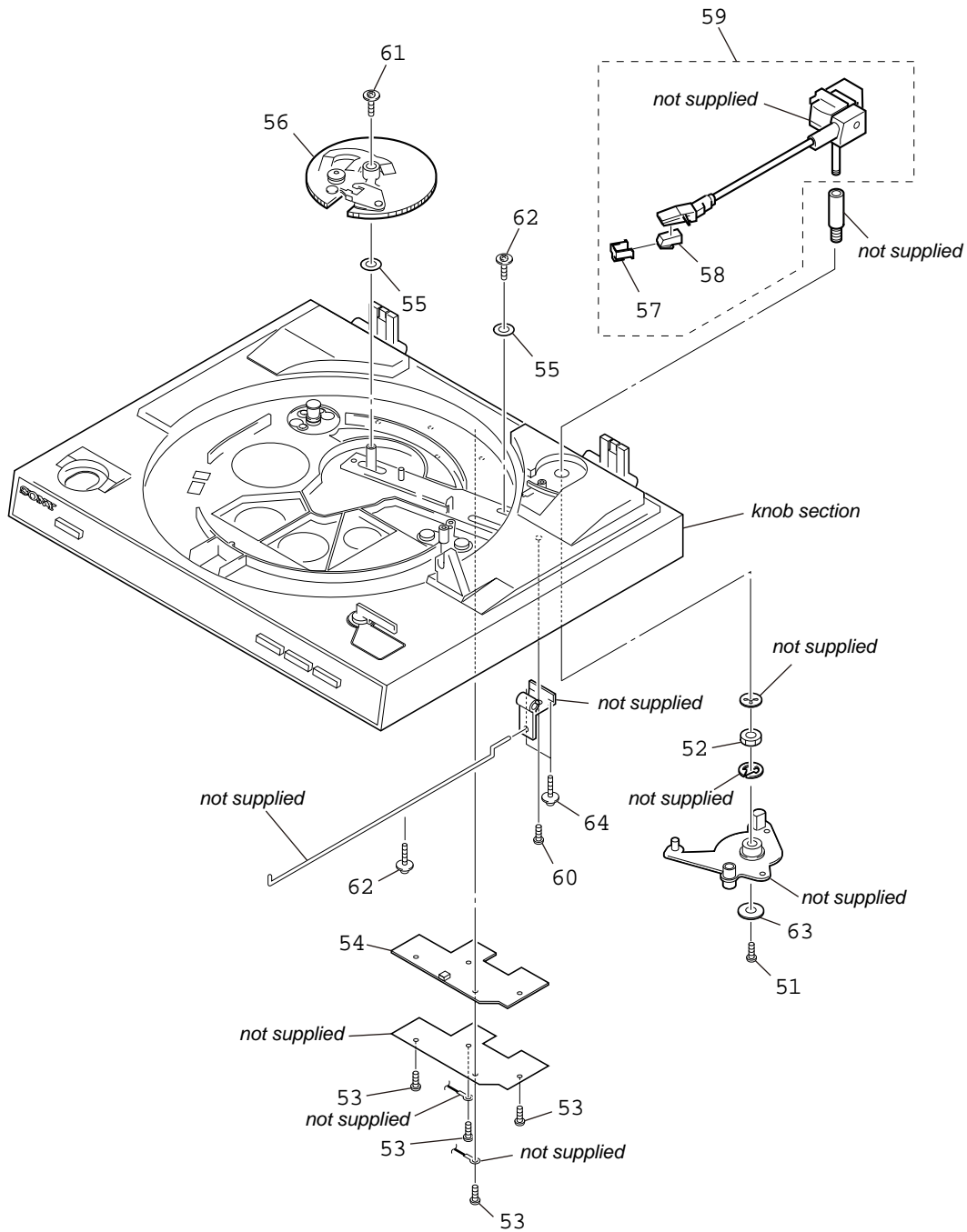
4-1 OVERALL SECTION



Note: When POWER board failed, please change the board entirely.

Ref. No.	Part No.	Description	Remark	Ref. No.	Part No.	Description	Remark
1	4-215-536-01	SCREW=PTPWH 3X12 W10 STEP		10	9-885-117-82	RUBBER FOOT FOR DUSTCOVER	
2	9-885-117-64	POWER BOARD, COMPLETE		11	9-885-117-84	45 RPM ADAPTER (45 r/min adaptor)	
3	4-215-531-01	SCREW=PTPWH 3X8 W8		\triangle 12	9-885-117-93	CORD, POWER (US) (US, Canadian)	
\triangle 4	9-885-117-02	TRANSFORMER (CEL), POWER (AEP, UK, Australian)		\triangle 12	9-885-117-96	CORD, POWER (CEL) (AEP)	
\triangle 4	9-885-117-66	TRANSFORMER (US), POWER (US, Canadian)		\triangle 12	9-885-117-97	CORD, POWER (CEK) (UK)	
5	9-885-117-69	CENTER & PINION ASSY		\triangle 12	9-885-117-98	CORD, POWER (AU) (Australian)	
6	9-885-117-87	BELT (Drive belt)		13	9-885-117-92	CORD, CONNECTION	
7	9-885-117-85	TURN TABLE (Platter)		14	4-215-534-01	SCREW=PTPWH 3X16 W8	
8	9-885-117-86	PAD, RUBBER (Rubber mat)		#1	7-685-646-79	SCREW +BVTP 3X8 TYPE2 IT-3	
9	9-885-117-71	DUSTCOVER					

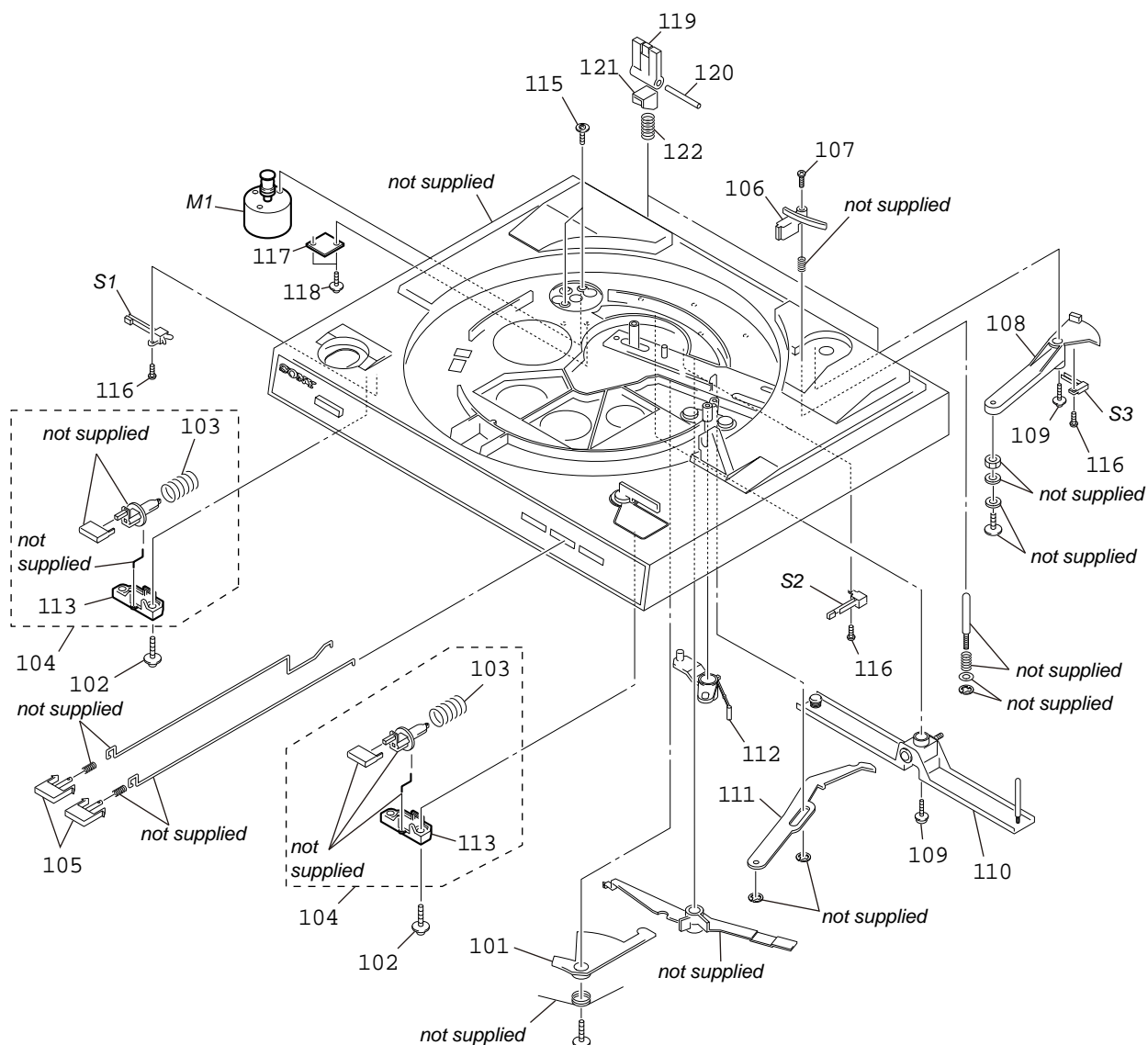
4-2 USB BOARD SECTION



Note: When USB board failed, please change the board entirely.

Ref. No.	Part No.	Description	Remark	Ref. No.	Part No.	Description	Remark
51	4-215-538-01	SCREW PS 3X12		58	9-885-117-76	CARTRIDGE	
52	4-215-530-01	NUT M9 HEX 11		59	9-885-117-72	TONEARM ASSY	
53	4-215-532-01	SCREW=PTPWH 3X8 W10		60	4-215-520-01	SCREW BVTT 3X20	
54	9-885-117-63	USB BOARD, COMPLETE (US, Canadian)		61	4-215-539-01	SCREW=PTPWH 3X7 W10	
54	9-885-131-44	USB BOARD, COMPLETE (AEP, UK, Australian)		62	4-215-540-01	SCREW=BVTPW 3X10 W13	
55	4-215-523-01	COLLAR (D6D8X1.5)		63	4-215-562-01	WASHER D3.2 W13	
56	9-885-117-68	GEAR ASSY, CAM		64	4-215-576-01	SCREW=PTPWH 3X10 W10	
57	9-885-117-75	STYLUS (N-6516)					

4-3 KNOB SECTION



Ref. No.	Part No.	Description	Remark	Ref. No.	Part No.	Description	Remark
101	9-885-117-78	PENDULUM (L)		115	4-215-541-01	SCREW (F 3X6.5) STEP	
102	4-215-533-01	SCREW=PTPWH 3X12 W8		116	4-215-542-01	SCREW=PTP 2.6X8	
103	4-215-526-01	SPRING		117	9-885-117-03	ADAPTOR BOARD, COMPLETE	
104	9-885-117-67	SET ASSY, KNOB SHAFT (&)		118	4-215-532-01	SCREW=PTPWH 3X8 W10	
105	9-885-117-74	KNOB, PLAY STOP		119	4-216-509-01	HINGE	
				120	4-216-534-01	HINGE PIN	
106	9-885-117-81	LIFTER		121	4-216-510-01	HINGE SLIDE	
107	4-215-535-01	SCREW=PTP 3X8		122	4-216-536-01	HINGE SPRING	
108	9-885-117-77	FIXING SWITCH SET		M1	9-885-117-73	MOTOR ASSY (TURN TABLE)	
109	4-215-537-01	SCREW=PTPWH 3X10 W8		S1	9-885-117-88	SWITCH, LEAF (SPEED SETTING)	
110	9-885-117-70	SHAFT ASSY		S2	9-885-117-88	SWITCH, LEAF (TONE ARM UP/DOWN DETECT)	
111	9-885-117-83	CONTROL PLATE		S3	9-885-117-89	SWITCH, LEAF (TONE ARM TURN DETECT)	
112	9-885-117-79	PENDULUM (M)					
113	9-885-117-80	KNOB SET					
114	4-215-540-01	SCREW=BVTPW 3X10 W13					

4-4 ACCESSORIES

<u>Ref. No.</u>	<u>Part No.</u>	<u>Description</u>	<u>Remark</u>
	3-198-123-14	MANUAL, INSTRUCTION (ENGLISH)	
	3-198-123-23	MANUAL, INSTRUCTION (FRENCH, SPANISH) (Canadian, AEP)	
	3-198-123-33	MANUAL, INSTRUCTION (GERMAN, DUTCH, ITALIAN) (AEP)	
	3-198-123-43	MANUAL, INSTRUCTION (SWEDISH, POLISH) (AEP)	
	3-296-918-01	APPLICATION SOFTWARE (SFAS) (CD-ROM: Sound Forge Audio Studio LE)	
	3-878-582-11	MANUAL, INSTRUCTION (DANISH, FINNISH) (AEP)	
	3-878-582-21	MANUAL, INSTRUCTION (PORTUGUESE) (AEP)	
	3-878-582-31	MANUAL, INSTRUCTION (RUSSIAN) (AEP)	
	3-878-582-41	MANUAL, INSTRUCTION (GREEK) (AEP)	
	3-878-582-51	MANUAL, INSTRUCTION (CZECH, HUNGARIAN) (AEP)	
	3-878-582-61	MANUAL, INSTRUCTION (TURKISH) (AEP)	
	3-878-582-71	MANUAL, INSTRUCTION (SLOVAKIAN) (AEP)	
	9-885-117-84	45 RPM ADAPTER (45 r/min adaptor)	
	9-885-117-85	TURN TABLE (Platter)	
	9-885-117-86	PAD, RUBBER (Rubber mat)	
	9-885-117-87	BELT (Drive belt)	
	9-885-117-95	CABLE, USB	

MEMO

