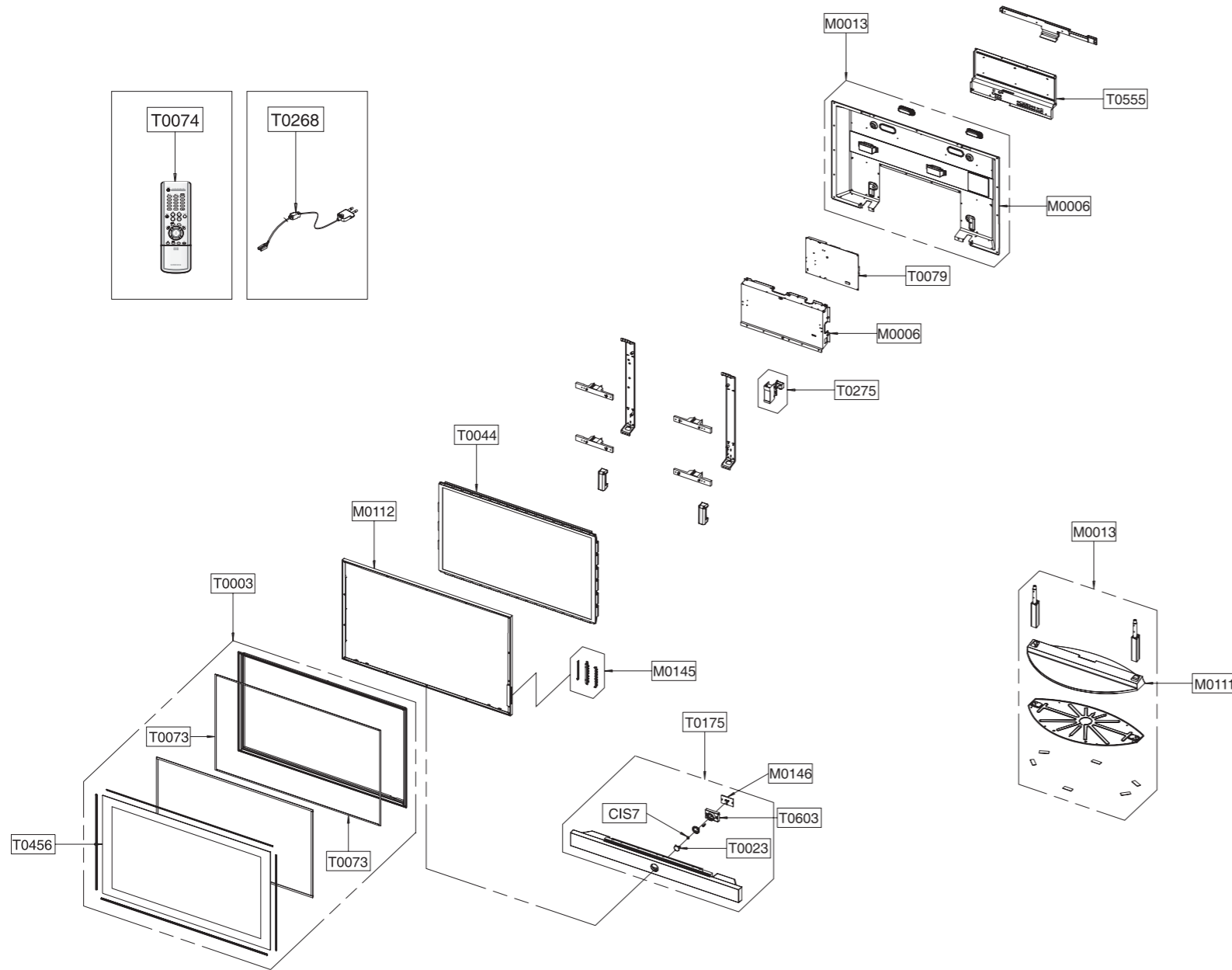


## 4. Exploded View & Part List

### 4-1 PS42S5HX/XEE

You can search for the updated part code through ITSELF web site.

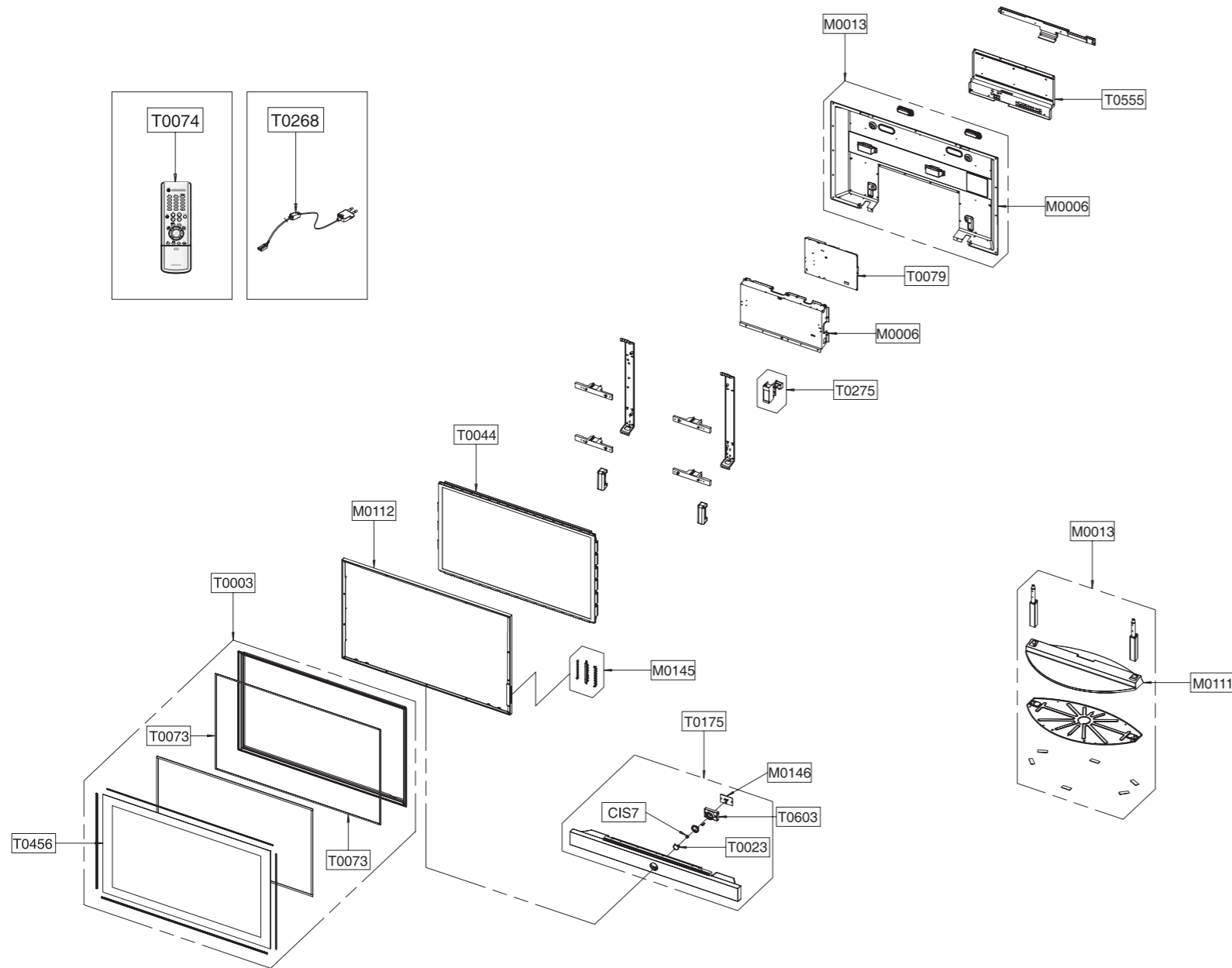
URL:<http://itself.sec.samsung.co.kr>



Loc.No.	Code No.	Description	Specification	Q'ty	SA/SNA	Remark
CIS7	AA61-60003B	SPRING ETC-CS	-,SUS304,-,OD11.2,N7,OD1	1	S.N.A	
M0006	BN63-01634C	COVER-REAR SUB	42S5,SECC,T1.0	1	S.N.A	
M0006	BN63-01633C	COVER-REAR	42D5,SECC,T0.5	1	S.N.A	
M0013	BN96-02140C	ASSY STAND P-BASE	42S5H,XEC,HIPS HB,SV01	1	S.A	
M0013	BN96-01786C	ASSY COVER P-REAR	SP-R4232,SECC,BLM 5113	1	S.A	
M0111	BN63-01813G	COVER-STAND	42S5H,XEC,HIPS,T3.5,HB,SV012	1	S.N.A	
M0112	BN63-01631B	COVER-FRONT	42S5,HIPS,HB,XEC,SV012P	1	S.N.A	
M0145	BN96-02049C	ASSY BOARD P-FUNCTION	SP-R4232,CT5000-36	1	S.N.A	
M0146	BN96-02050B	ASSY BOARD P-POWER & IR	SCHUBERT,CT5000-	1	S.N.A	
T0003	BN96-01773B	ASSY COVER P-FRONT	42P5,42S5,EXPORT	1	S.A	
T0023	BN96-01788A	ASSY COVER P-KNOB POWER	SPD-42P5HD	1	S.N.A	
T0044	BN96-01886A	ASSY PDP MODULE P	M1,SPD-42P5HD,D71A,V4,	1	S.A	
T0073	AA63-01078A	GASKET-EMI	42P5,T1.5,7,1006	2	S.N.A	
T0073	AA63-01079A	GASKET-EMI	42P5,T1.5,W7,L614.5	2	S.N.A	
T0074	BN59-00468A	REMOCON	PS42S5S,TM76A,59*22*209,ZILOG MB	1	S.A	
T0079	BN94-00683B	ASSY PCB MISC-MAIN	PS42S5HX/XEC,D72A,EU,	1	S.A	
T0175	AA96-02814A	ASSY SPEAKER P	8ohm,S5,42,15W	1	S.A	
T0268	3903-000145	CBF-POWER CORD	DT,EU,FP3/YES,U(IEC C13-R	1	S.A	
T0275	BN96-02369A	ASSY MISC P-INLET	HP-R4252,STRAUSS,DOCUM	1	S.A	
T0456	BN67-00144A	GLASS-FILTER EMI	42P5,Mesh,48%,1053*639,	1	S.A	
T0555	BN96-01392D	ASSY MISC P-BRKT TERMINAL	42S5,XEC,SECC	1	S.N.A	
T0603	BN64-00338A	WINDOW-RMC	42P5,ACRYL,5%	1	S.N.A	

### 4-2 PS42S5HX/XEU

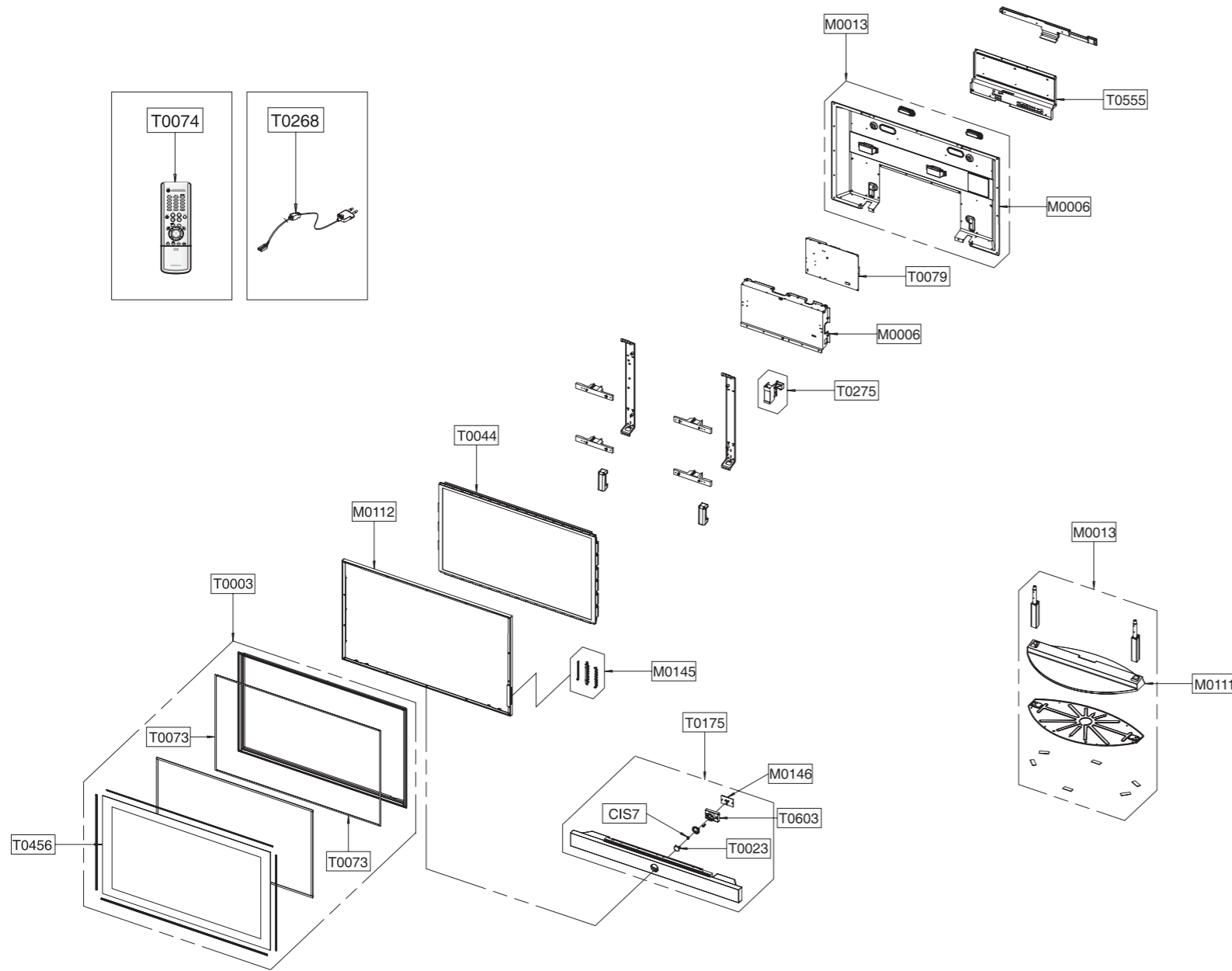
You can search for the updated part code through ITSELF web site.  
 URL:<http://itself.sec.samsung.co.kr>



Loc.No.	Code No.	Description	Specification	Q'ty	SA/SNA	Remark
CIS7	AA61-60003B	SPRING ETC-CS	-,SUS304,-,-,OD11.2,N7,OD1	1	S.N.A	
M0006	BN63-01634C	COVER-REAR SUB	42S5,SECC,T1.0	1	S.N.A	
M0006	BN63-01633C	COVER-REAR	42D5,SECC,T0.5	1	S.N.A	
M0013	BN96-02140C	ASSY STAND P-BASE	42S5H,XEC,HIPS HB,SV01	1	S.A	
M0013	BN96-01786C	ASSY COVER P-REAR	SP-R4232,SECC,BLM 5113	1	S.A	
M0111	BN63-01813G	COVER-STAND	42S5H,XEC,HIPS,T3.5,HB,SV012	1	S.N.A	
M0112	BN63-01631B	COVER-FRONT	42S5,HIPS,HB,XEC,SV012P	1	S.N.A	
M0145	BN96-02049C	ASSY BOARD P-FUNCTION	SP-R4232,CT5000-36	1	S.N.A	
M0146	BN96-02050B	ASSY BOARD P-POWER & IR	SCHUBERT,CT5000-	1	S.N.A	
T0003	BN96-01773B	ASSY COVER P-FRONT	42P5,42S5,EXPORT	1	S.A	
T0023	BN96-01788A	ASSY COVER P-KNOB POWER	SPD-42P5HD	1	S.N.A	
T0044	BN96-01886A	ASSY PDP MODULE P	M1,SPD-42P5HD,D71A,V4,	1	S.A	
T0073	AA63-01078A	GASKET-EMI	42P5,T1.5,7,1006	2	S.N.A	
T0073	AA63-01079A	GASKET-EMI	42P5,T1.5,W7,L614.5	2	S.N.A	
T0074	BN59-00468A	REMOCON	PS42S5S,TM76A,59*22*209,ZILOG MB	1	S.A	
T0079	BN94-00683B	ASSY PCB MISC-MAIN	PS42S5HX/XEC,D72A,EU,	1	S.A	
T0175	AA96-02814A	ASSY SPEAKER P	8ohm,S5,42,15W	1	S.A	
T0268	3903-000193	CBF-POWER CORD	DT,GB,GP3/YES,U(IEC C13-R	1	S.N.A	
T0275	BN96-02369A	ASSY MISC P-INLET	HP-R4252,STRAUSS,DOCUM	1	S.A	
T0456	BN67-00144A	GLASS-FILTER EMI	42P5,Mesh,48%,1053*639,	1	S.A	
T0555	BN96-01392D	ASSY MISC P-BRKT TERMINAL	42S5,XEC,SECC	1	S.N.A	
T0603	BN64-00338A	WINDOW-RMC	42P5,ACRYL,5%	1	S.N.A	

### 4-3 PS42S5HX/XEH

You can search for the updated part code through ITSELF web site.  
 URL:<http://itself.sec.samsung.co.kr>



Loc.No.	Code No.	Description	Specification	Q'ty	SA/SNA	Remark
CIS7	AA61-60003B	SPRING ETC-CS	-,SUS304,-,OD11.2,N7,OD1	1	S.N.A	
M0006	BN63-01634C	COVER-REAR SUB	42S5,SECC,T1.0	1	S.N.A	
M0006	BN63-01633C	COVER-REAR	42D5,SECC,T0.5	1	S.N.A	
M0013	BN96-02140C	ASSY STAND P-BASE	42S5H,XEC,HIPS HB,SV01	1	S.A	
M0013	BN96-01786C	ASSY COVER P-REAR	SP-R4232,SECC,BLM 5113	1	S.A	
M0111	BN63-01813G	COVER-STAND	42S5H,XEC,HIPS,T3.5,HB,SV012	1	S.N.A	
M0112	BN63-01631B	COVER-FRONT	42S5,HIPS,HB,XEC,SV012P	1	S.N.A	
M0145	BN96-02049C	ASSY BOARD P-FUNCTION	SP-R4232,CT5000-36	1	S.N.A	
M0146	BN96-02050B	ASSY BOARD P-POWER & IR	SCHUBERT,CT5000-	1	S.N.A	
T0003	BN96-01773B	ASSY COVER P-FRONT	42P5,42S5,EXPORT	1	S.A	
T0023	BN96-01788A	ASSY COVER P-KNOB POWER	SPD-42P5HD	1	S.N.A	
T0044	BN96-01886A	ASSY PDP MODULE P	M1,SPD-42P5HD,D71A,V4,	1	S.A	
T0073	AA63-01078A	GASKET-EMI	42P5,T1.5,7,1006	2	S.N.A	
T0073	AA63-01079A	GASKET-EMI	42P5,T1.5,W7,L614.5	2	S.N.A	
T0074	BN59-00468A	REMOCON	PS42S5S,TM76A,59*22*209,ZILOG MB	1	S.A	
T0079	BN94-00683B	ASSY PCB MISC-MAIN	PS42S5HX/XEC,D72A,EU,	1	S.A	
T0175	AA96-02814A	ASSY SPEAKER P	8ohm,S5,42,15W	1	S.A	
T0268	3903-000145	CBF-POWER CORD	DT,EU,FP3/YES,U(IEC C13-R	1	S.A	
T0275	BN96-02369A	ASSY MISC P-INLET	HP-R4252,STRAUSS,DOCUM	1	S.A	
T0456	BN67-00144A	GLASS-FILTER EMI	42P5,Mesh,48%,1053*639,	1	S.A	
T0555	BN96-01392D	ASSY MISC P-BRKT TERMINAL	42S5,XEC,SECC	1	S.N.A	
T0603	BN64-00338A	WINDOW-RMC	42P5,ACRYL,5%	1	S.N.A	