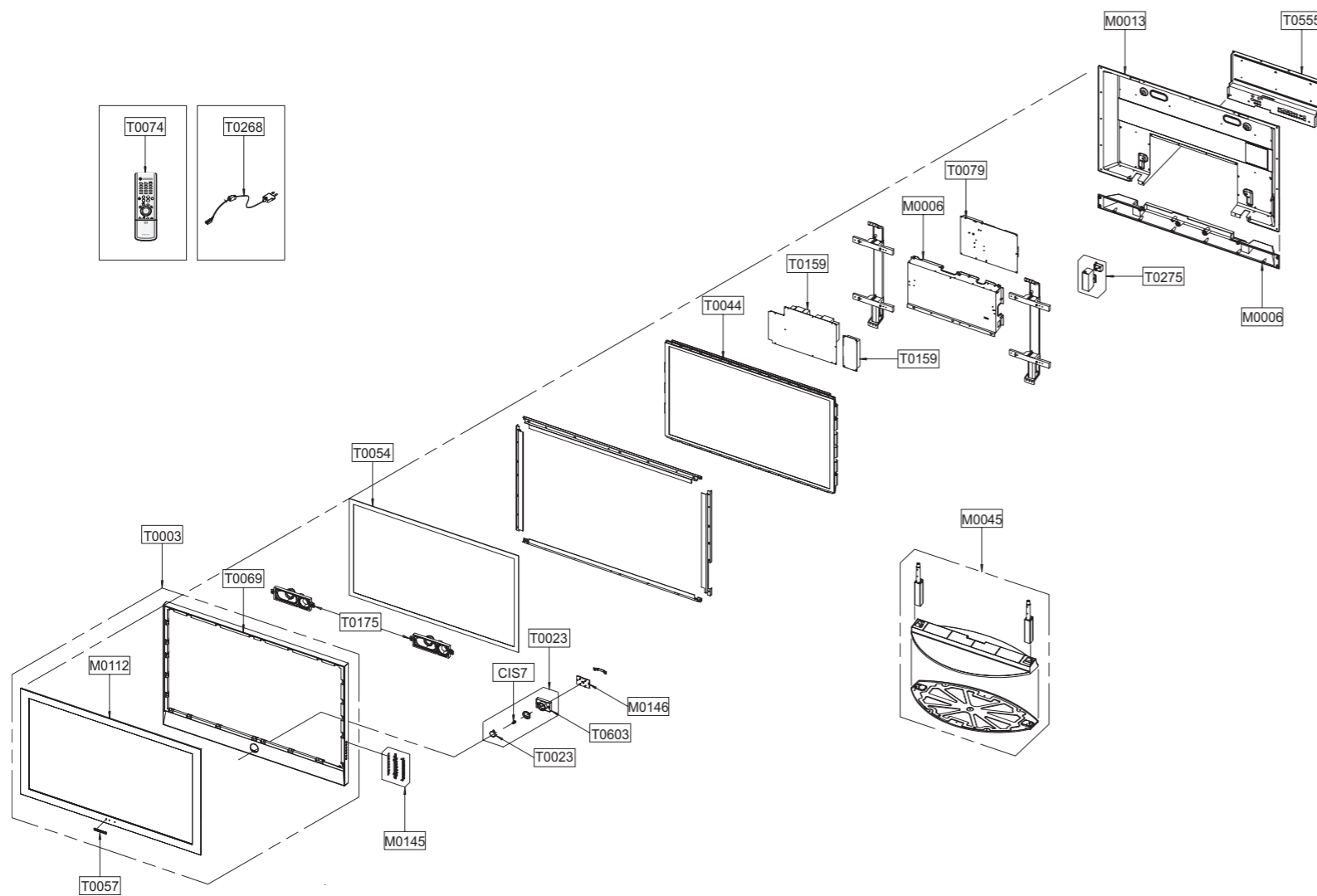


## 4. Exploded View & Part List

### 4-1 PS42D5SX/XEH

You can search for the updated part code through ITSELF web site.  
 URL: <http://itself.sec.samsung.co.kr>



Loc.No.	Code No.	Description	Specification	Q'ty	SA/SNA	Remark
CIS7	AA61-60003B	SPRING ETC-CS	-,SUS304,-,OD11.2,N7,OD1	1	S.N.A	
M0006	BN63-01815A	COVER-REAR BOTTOM	42D5,HIPS,T3.0,HB,GR50	1	S.N.A	
M0006	BN63-01633C	COVER-REAR	42D5,SECC,T0.5	1	S.N.A	
M0013	BN96-01786C	ASSY COVER P-REAR	SP-R4232,SECC,BLM 5113	1	S.A	
M0045	BN96-01912B	ASSY STAND P-SET	42D5S,XEC,HIPS HB,SV012	1	S.A	
M0112	BN63-01822A	COVER-FRONT	42D5,SF0507,T3.5,HB,BK23,STE	1	S.N.A	
M0145	BN96-02049A	ASSY BOARD P-FUNCTION	SCHUBERT,CT5000-32	1	S.A	
M0146	BN96-02050B	ASSY BOARD P-POWER & IR	SCHUBERT,CT5000-	1	S.N.A	
T0003	BN96-01911B	ASSY COVER P-FRONT	42D5,XEC,ABS HB,STEAM	1	S.A	
T0023	BN96-01788A	ASSY COVER P-KNOB POWER	SPD-42P5HD	1	S.N.A	
T0023	BN64-00336A	KNOB POWER	42P5,PC,VIOLET	1	S.N.A	
T0044	BN96-01887A	ASSY PDP MODULE P	M1,PS42S5S,D,V4,1002 $\mu$	1	S.A	
T0054	BN64-00122A	SCREEN-EMI,FILTER	FILTER,42P3,984*584,T3	1	S.A	
T0057	BP64-00177A	BADGE-BRAND	ALL_AL,T1.5,70,11.3,BLK,SILI	1	S.N.A	
T0069	BN63-01814B	COVER-MIDDLE	42D5,HIPS,T3.5,HB,XEC,GRAY,	1	S.N.A	
T0074	BN59-00471A	REMOCON	PS42D5S,TM79,17.5x4.5x2,SAMSUNG	1	S.A	
T0079	BN94-00682B	ASSY PCB MISC-MAIN	PS42D4S,D72A,EU,BN41-	1	S.A	
T0159	BN96-01856A	ASSY PCB P-SMPS	SPD-50P5HD(DC_DC),200Vin	1	S.A	
T0159	BN96-01923A	ASSY PCB P-SMPS	PS-42S5S,100~240V	1	S.A	
T0175	BN96-01955A	ASSY SPEAKER P	8ohm,D5,42,15W	1	S.A	
T0268	3903-000145	CBF-POWER CORD	DT,EU,FP3/YES,U(IEC C13-R	1	S.A	
T0275	BN96-02369A	ASSY MISC P-INLET	HP-R4252,STRAUSS,DOCUM	1	S.A	
T0555	BN96-01392C	ASSY MISC P-BRKT TERMINAL	42D5,XEC,SECC	1	S.N.A	
T0603	BN64-00338A	WINDOW-RMC	42P5,ACRYL,5%	1	S.N.A	