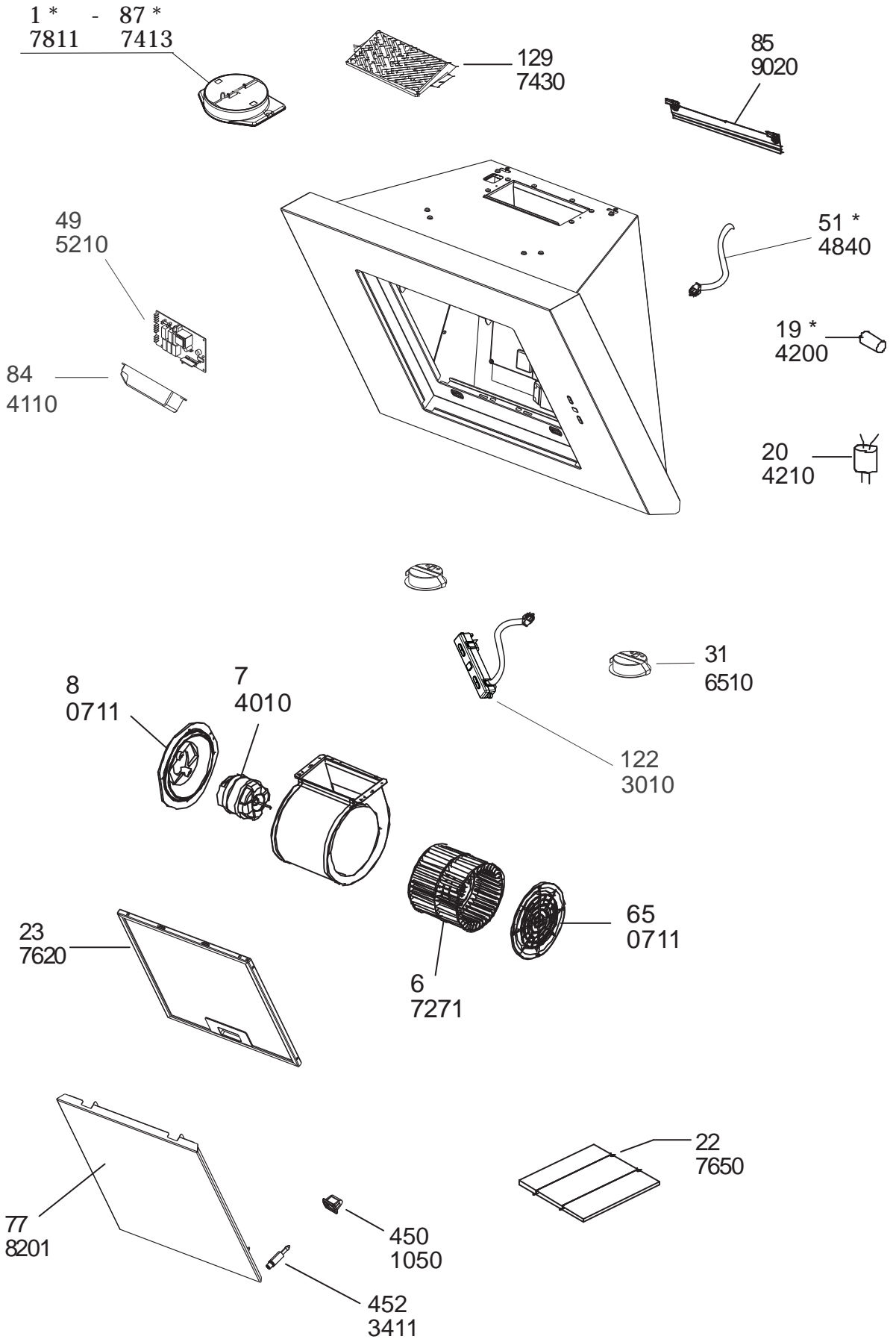


# SPARE PARTS BILL OF MATERIAL

Code	Technical Description	Customer	Plant	Exploded No.
PRF0006407	ELEKTRA NG S40 TC3I+LC IX/F/55	ELICA S.P.A.	P151	\$2762
E-Number / 12NC	Commercial Description	Application	Electrical scheme No.	ECN
208318104403	ELEKTRA IX/F/55	Ricambi	SEL0059888	208273

ID	ID 2	Code	Description Descrizione	UM	Qty	Predecessor Code	Valid from
65	0710	PRZ0021056A	PROTECTION CONVEYOR	EA	1,000		
8	0711	SUP0021041A	MOTOR SUPPORT	EA	1,000		
450	1050	IF01EB	PERNO FIX VETRO	EA	2,000		
122	3010	CRU0006749	COMPLETE CONTROL PANEL	EA	1,000		
452	3411	PRN0017860	INSERTO MANOPOLA	EA	2,000		
7	4010	MOT0055767	MOTOR COUNTERCLOCKWISE ROTATION	EA	1,000		
84	4110	TRF0092049	TRA.EL.20-60W 220-240 X 2H TCI	EA	1,000		
19	4200	2029Y/R	CONDENSATORE	EA	1,000		
20	4210	2710AV	NOISE FILTER	EA	1,000		
51	4840	CI02NA	WIRING	EA	1,000		
49	5210	ECB0054044	ELECTRONIC VARIATOR	EA	1,000		
31	6510	2006Q	LAMPADA	EA	2,000		
6	7271	GN01WA	GIRANTE R.A.	EA	1,000		
129	7430	PZ05XA	FILTRING CONNECTION	EA	1,000		
23	7620	GRI0009219A	GREASE FILTER	EA	1,000		
22	7650	F00439	CHARCOAL FILTER	EA	1,000		
77	8201	PAR008605801AA	FRONT PANEL	EA	1,000		
85	9020	STA0008311A	HOOK WITH SCREW AND PLUG	EA	1,000		
519	9930	DOC0089900	DOCUMENTATION	EA	1,000		



519  
9930

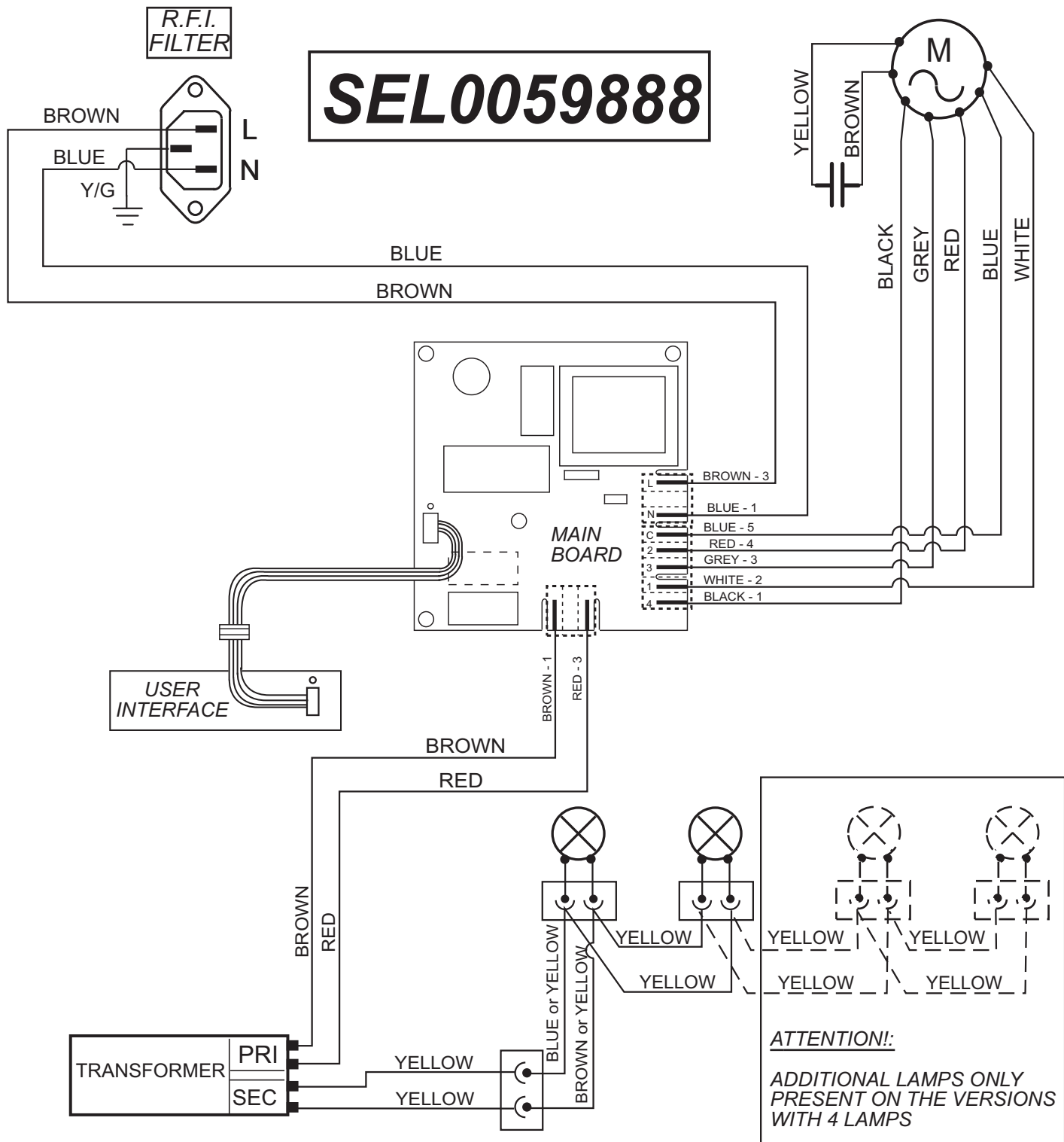


\* Optional

**\$2762**

see also bill of material

# SEL0059888



<b>DATA</b> DATE	<b>MODIF. N.</b> MODIF. NO.	<b>DESCRIZIONE MODIFICA</b> MODIFICATION DESCRIPTION				<b>DISEGNATO</b> DRAWN BY	<b>APPROVATO</b> APPROVED		
<b>MODELLO</b> MODEL <i>Cappe Verticali EM 2H mot S</i>		<b>PARTICOLARE</b> DETAIL <i>Schema elettrico / Wiring diagram</i>				<b>DISEGNO N.</b> DRAWING No. <b>SEL0059888</b>	<b>DATA</b> DATE <b>10/09/12</b>		
<b>MATERIALE</b> MATERIAL <i>Carta adesiva bianca 55x55 / Sticky white paper 55x55</i>						<b>DISEGNATO</b> DRAWN BY <b>Salvucci L.</b>			
 <b>UFFICIO TECNICO</b>		<b>COLORE STAMPA</b> PRINT COLOUR <b>Nero / Black</b>		<b>APPROVATO</b> APPROVED <i>MENICONTON</i>					
		<b>SCALA</b> SCALE 1:1	<small>LA RIPRODUZIONE O LA CESSIONE DEL PRESENTE DISEGNO DEVONO ESSERE AUTORIZZATE DALLA "ELICA" SPA</small> <small>ANY REPRODUCTION OR TRANSFER OF THE PRESENT DRAWING MUST BE AUTHORIZED BY "ELICA" SPA</small>		<small>SOSTITUITO DAL DIS. N. REPLACED BY DRAWING NO.</small> <small>SOSTITUISCE IL DIS. N. IT REPLACES DRAWING NO.</small>		<b>ULTIMA EMISS.</b> LAST EDITION <b>10/09/12</b>		
<b>FORM. A - 4</b>									