

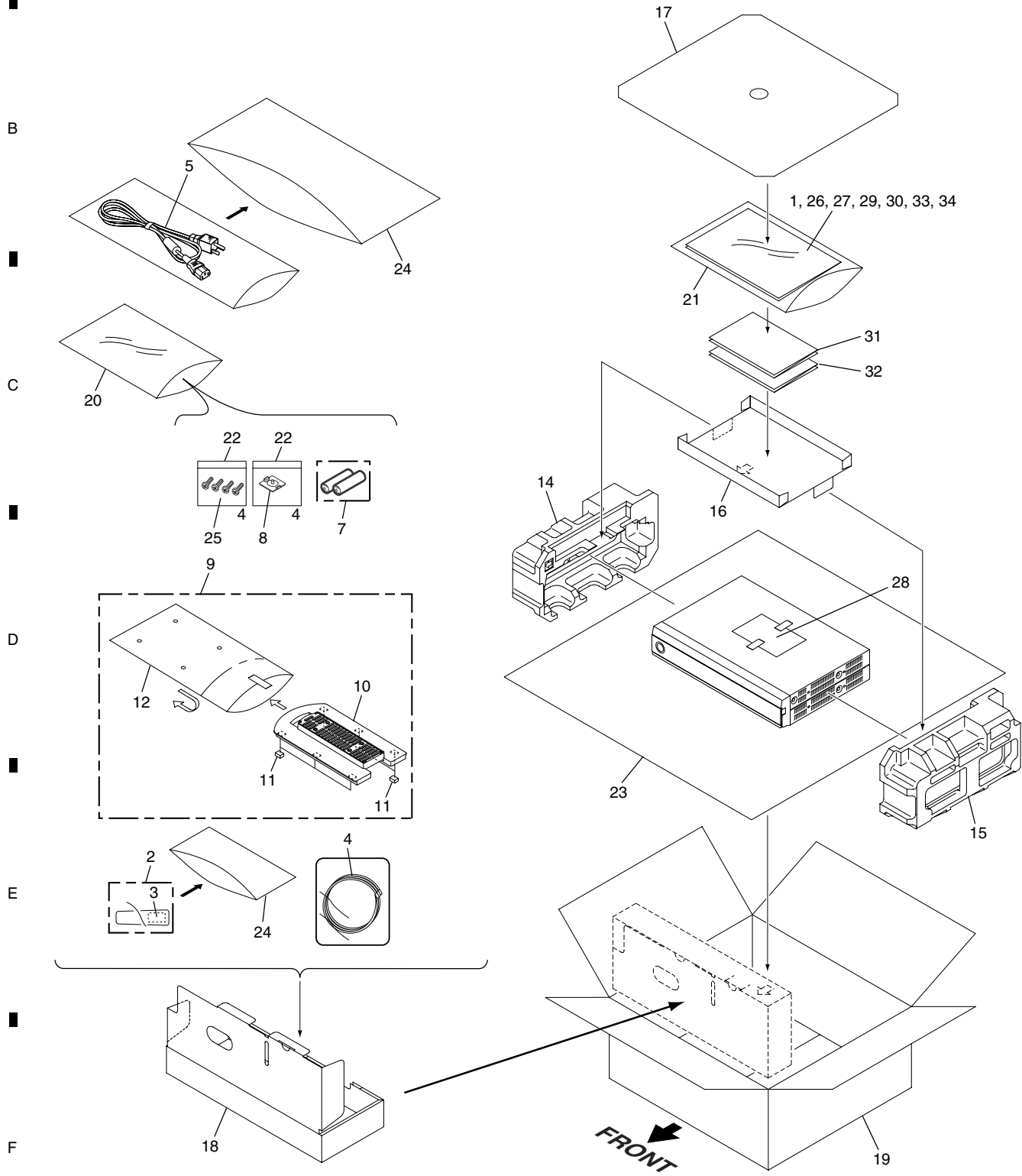


2. EXPLODED VIEWS AND PARTS LIST

- NOTES:**
- Parts marked by "NSP" are generally unavailable because they are not in our Master Spare Parts List.
 - The  mark found on some component parts indicates the importance of the safety factor of the part. Therefore, when replacing, be sure to use parts of identical designation.
 - Screws adjacent to  mark on product are used for disassembly.
 - For the applying amount of lubricants or glue, follow the instructions in this manual. (In the case of no amount instructions, apply as you think it appropriate.)

2.1 PACKING SECTION



PACKING SECTION PARTS LIST

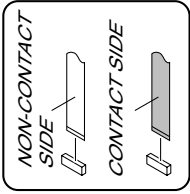
Mark No.	Description	Part No.	Mark No.	Description	Part No.
1	Operating Instructions	See Contrast table (2)	19	Carton	See Contrast table (2)
2	Remote Control Unit	See Contrast table (2)	NSP 20	Literature Bag	AHG1303
3	Battery Cover	See Contrast table (2)			
4	System Cable (3m)	ADF1026	21	Vinyl Bag	AHG1340
⚠ 5	Power Cord	ADG1214	22	Vinyl Bag	AHG1337
6	•••••		23	Laminated Sheet	AHG1350
NSP 7	Dry Cell Battery (R6/AA)	VEM1031	24	Air Capsule Bag	AHG1351
8	Screw Hole Cap	See Contrast table (2)	25	Screw	PMB40P120FTB
9	Stand Assy	See Contrast table (2)	26	Operating Instructions	See Contrast table (2)
NSP 10	Stand	See Contrast table (2)	27	Caution Card	ARM1223
			28	Caution Card	ARM1234
NSP 11	Stand Cushion	AEB1390	29	Operating Instructions	See Contrast table (2)
12	Laminated Sheet Bag	AHG1334	30	Errata	See Contrast table (2)
13	•••••				
14	Pad L	See Contrast table (2)	31	User Card A	See Contrast table (2)
15	Pad R	See Contrast table (2)	32	User Card B	See Contrast table (2)
			33	Caution Manual	See Contrast table (2)
16	IM Pad	See Contrast table (2)	NSP 34	Block Diagram	See Contrast table (2)
17	Top Pad	See Contrast table (2)			
18	Accessory Box	See Contrast table (2)			

(2) CONTRAST TABLE

PDP-R05E/WYVI, /WYVIXK, PDP-R05XE/WYVIXK, PDP-R05FE/WYVI and / WYVIXK are constructed the same except for the following:

Mark	No.	Description	PDP-R05E/ WYVI	PDP-R05E/ WYVIXK	PDP-R05XE/ WYVIXK	PDP-R05FE/ WYVI	PDP-R05FE/ WYVIXK
	1	Operating Instructions (English/French/German)	ARE1391	ARE1380	ARE1380	ARE1392	ARE1383
	2	Remote Control Unit	AXD1495	AXD1495	AXD1494	AXD1491	AXD1491
	3	Battery Cover	AZN7919	AZN7919	AZN7919	AZA7424	AZA7424
	8	Screw Hole Cap	AMR3363	AMR3363	AMR3363	Not used	Not used
	8	Screw Hole Cap UE	Not used	Not used	Not used	AMR3386	AMR3386
	9	Stand Assy	AXG1013	AXG1013	AXG1013	Not used	Not used
	9	Stand Assy UE	Not used	Not used	Not used	AXG1009	AXG1009
NSP	10	Stand	AMR3352	AMR3352	AMR3352	Not used	Not used
NSP	10	Stand UE	Not used	Not used	Not used	AMR3382	AMR3382
	14	Pad L	AHA2370	AHA2396	AHA2396	AHA2370	AHA2396
	15	Pad R	AHA2371	AHA2397	AHA2397	AHA2371	AHA2397
	16	IM Pad	AHB1253	AHB1259	AHB1259	AHB1253	AHB1259
	17	Top Pad	AHB1256	AHB1260	AHB1260	AHB1256	AHB1260
	18	Accessory Box	AHC1053	AHC1056	AHC1056	AHC1053	AHC1056
	19	Carton E	AHD3247	AHD3293	Not used	Not used	Not used
	19	Carton XE	Not used	Not used	AHD3246	Not used	Not used
	19	Carton FE	Not used	Not used	Not used	AHD3248	AHD3283
	26	Operating Instructions (Italian/Dutch/Swedish/Spanish)	ARC1541	ARC1533	ARC1533	Not used	Not used
	26	Operating Instructions (Italian/Dutch/Spanish)	Not used	Not used	Not used	ARC1542	ARC1535
	29	Operating Instructions (English/French/German) (Italian/Dutch/Swedish/Spanish)	Not used	Not used	ARE1390	Not used	Not used
	30	Errata	ARX1120	ARX1121	ARX1121	ARX1120	ARX1121
	31	User Card A	Not used	ARY1150	ARY1150	Not used	ARY1150
	32	User Card B	Not used	ARY1151	ARY1151	Not used	ARY1151
	33	Caution Manual	ARM1263	ARM1264	ARM1264	ARM1263	ARM1264
NSP	34	Block Diagram	Not used	ARY1159	ARY1159	Not used	ARY1159

2.2 EXTERIOR SECTION (1)



A

B

C

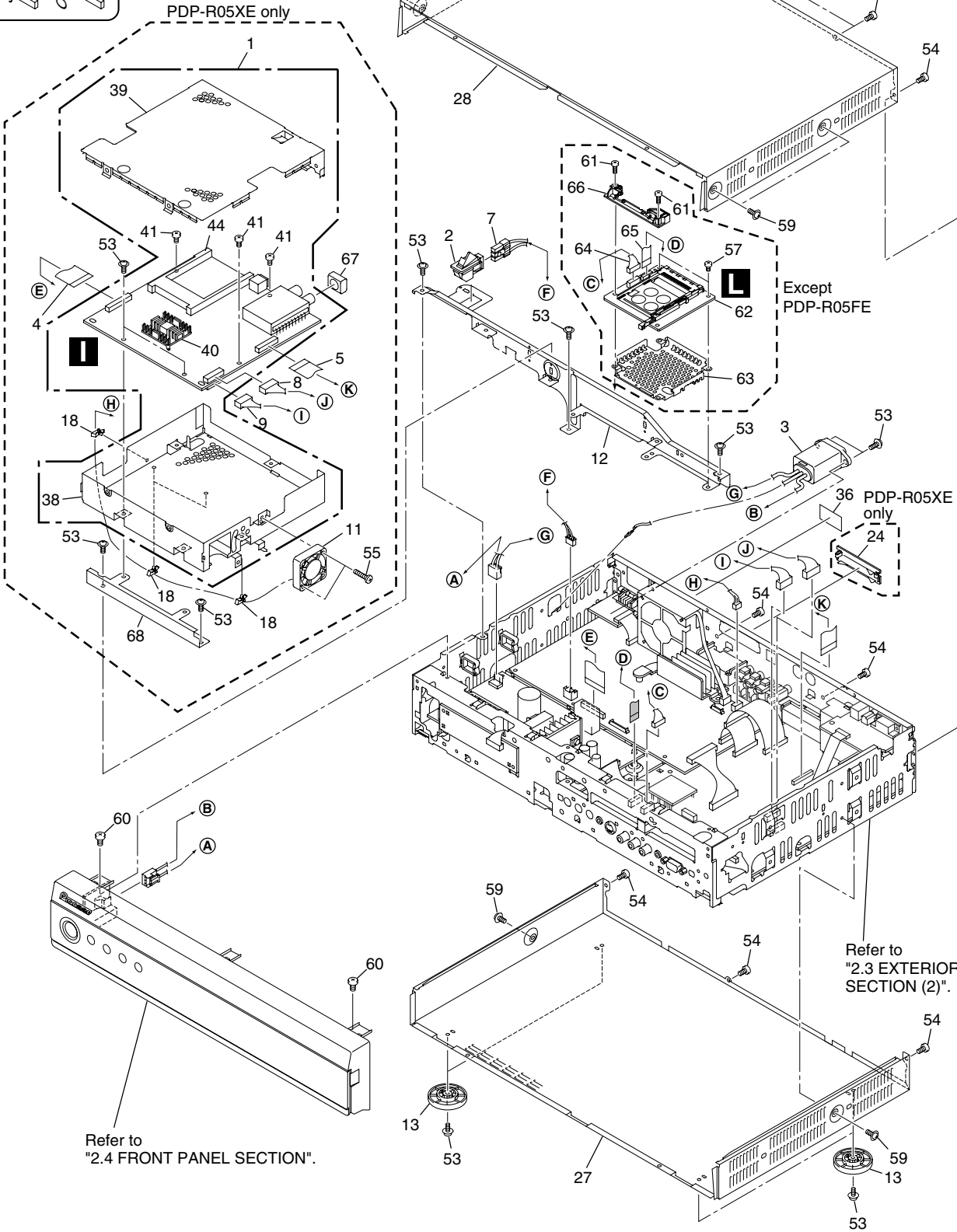
D

E

F

3

4



1

2

3

4

EXTERIOR SECTION (1) PARTS LIST

<u>Mark No.</u>	<u>Description</u>	<u>Part No.</u>	<u>Mark No.</u>	<u>Description</u>	<u>Part No.</u>
1	TUNER BOARD Assy	See Contrast table (2)	50	•••••	
⚠ 2	Power Switch (TRAP)(S1)	ASG1089			A
⚠ 3	AC Inlet (CN1)	AKP1257	51	•••••	
4	Flexible Cable (J209)	See Contrast table (2)	52	•••••	
5	Flexible Cable (J210)	See Contrast table (2)	53	Screw	ABZ30P080FTC
			54	Screw	BBZ30P060FTB
6	•••••		55	Screw	See Contrast table (2)
7	3P Housing Wire (J107)	ADX2836			
8	9P Housing Wire (J113)	See Contrast table (2)	56	•••••	
9	8P Housing Wire (J114)	See Contrast table (2)	57	Screw	ABZ30P080FTC
10	•••••		58	•••••	
			59	Screw	See Contrast table (2)
⚠ 11	Fan Motor 42 x 10.5L	See Contrast table (2)	60	Screw	ABZ30P060FTB
12	Center Stay U	ANG2564			
13	Leg Assy	AXG1012	61	Screw	See Contrast table (2)
14	•••••		62	PC Card Module	See Contrast table (2)
15	•••••		63	PC Shield	See Contrast table (2)
			64	6P Housing Wire (J111)	See Contrast table (2)
16	•••••		65	Flexible Cable (J208)	See Contrast table (2)
17	•••••				
18	Side Type Mini Clamp	See Contrast table (2)	66	PC Guide	See Contrast table (2)
19	•••••		67	Gasket XE	See Contrast table (2)
20	•••••		68	Tuner Adaptor	See Contrast table (2)
					C
21	•••••				
22	•••••				
23	•••••				
24	Rear Cover	AMR3425			
25	•••••				
26	•••••				
27	Metal Bonnet Bottom	See Contrast table (2)			
28	Metal Bonnet Top	See Contrast table (2)			
29	Serial Sheet	AAX2609			
30	•••••				D
31	•••••				
32	•••••				
33	•••••				
34	•••••				
35	•••••				
NSP 36	Serial Label	ARW1100			
37	•••••				
NSP 38	Bottom Can	See Contrast table (2)			E
39	Top Can	See Contrast table (2)			
40	Heat Sink	See Contrast table (2)			
41	Screw	See Contrast table (2)			
42	Screw	See Contrast table (2)			
43	•••••				
44	PCMCIA Ejector	See Contrast table (2)			
45	•••••				
46	•••••				
47	•••••				F
48	•••••				
49	•••••				

(2) CONTRAST TABLE

PDP-R05E/WYVI, /WYVIXK, PDP-R05XE/WYVIXK, PDP-R05FE/WYVI and / WYVIXK are constructed the same except for the following:

Mark	No.	Description	PDP-R05E/ WYVI	PDP-R05E/ WYVIXK	PDP-R05XE/ WYVIXK	PDP-R05FE/ WYVI	PDP-R05FE/ WYVIXK	
A	1	TUNER BOARD Assy	Not used	Not used	AWE1301	Not used	Not used	
	4	Flexible Cable (J209)	Not used	Not used	ADD1280	Not used	Not used	
	5	Flexible Cable (J210)	Not used	Not used	ADD1267	Not used	Not used	
	8	9P Housing Wire (J113)	Not used	Not used	ADX3017	Not used	Not used	
	9	8P Housing Wire (J114)	Not used	Not used	ADX3018	Not used	Not used	
	B	⚠ 11	Fan Motor 42 x 10.5L)	Not used	Not used	AXM1049	Not used	Not used
		18	Side Type Mini Clamp	Not used	Not used	AEC2003	Not used	Not used
		24	Rear Cover	Not used	Not used	AMR3425	Not used	Not used
		27	Metal Bonnet Bottom	ANE1631	ANE1631	ANE1631	Not used	Not used
		27	Metal Bonnet Bottom (UE)	Not used	Not used	Not used	ANE1634	ANE1634
C	NSP 28	Bonnet Top	ANE1632	ANE1632	ANE1632	Not used	Not used	
	28	Bonnet Top (FE)	Not used	Not used	Not used	ANE1637	ANE1637	
	38	Bottom Can	Not used	Not used	XNA1004	Not used	Not used	
	39	Top Can	Not used	Not used	XNG1001	Not used	Not used	
	40	Heat Sink	Not used	Not used	XNH1004	Not used	Not used	
	41	Screw	Not used	Not used	BBZ30P060FTB	Not used	Not used	
	42	Screw	Not used	Not used	PMZ20P100FNI	Not used	Not used	
	44	PCMCIA Ejector	Not used	Not used	ANG2673	Not used	Not used	
	55	Screw	Not used	Not used	BBZ30P140FTC	Not used	Not used	
	59	Screw	ABZ30P080FTC	ABZ30P080FTC	ABZ30P080FTC	ABZ30P060FTB	ABZ30P060FTB	
D	61	Screw	ABZ30P180FTC	ABZ30P160FTC	ABZ30P160FTC	Not used	Not used	
	62	PC Card Module	AXY1073	AXY1073	AXY1073	Not used	Not used	
	63	PC Shield	ANG2578	ANG2578	ANG2578	Not used	Not used	
	64	6P Housing Wire (J111)	ADX3016	ADX3016	ADX3016	Not used	Not used	
	65	Flexible Cable (J208)	ADD1226	ADD1226	ADD1226	Not used	Not used	
	66	PC Guide	AMR3393	AMR3393	AMR3393	Not used	Not used	
	67	Gasket XE	Not used	Not used	ANK1756	Not used	Not used	
	68	Tuner Adaptor	Not used	Not used	ANG2672	Not used	Not used	
	E							
F								

■

5

■

6

■

7

■

8

■

A

■

B

■

C

■

D

■

E

■

F

■

5

■

6

PDP-R05E

■

7

■

8

■

2.3 EXTERIOR SECTION (2)

A

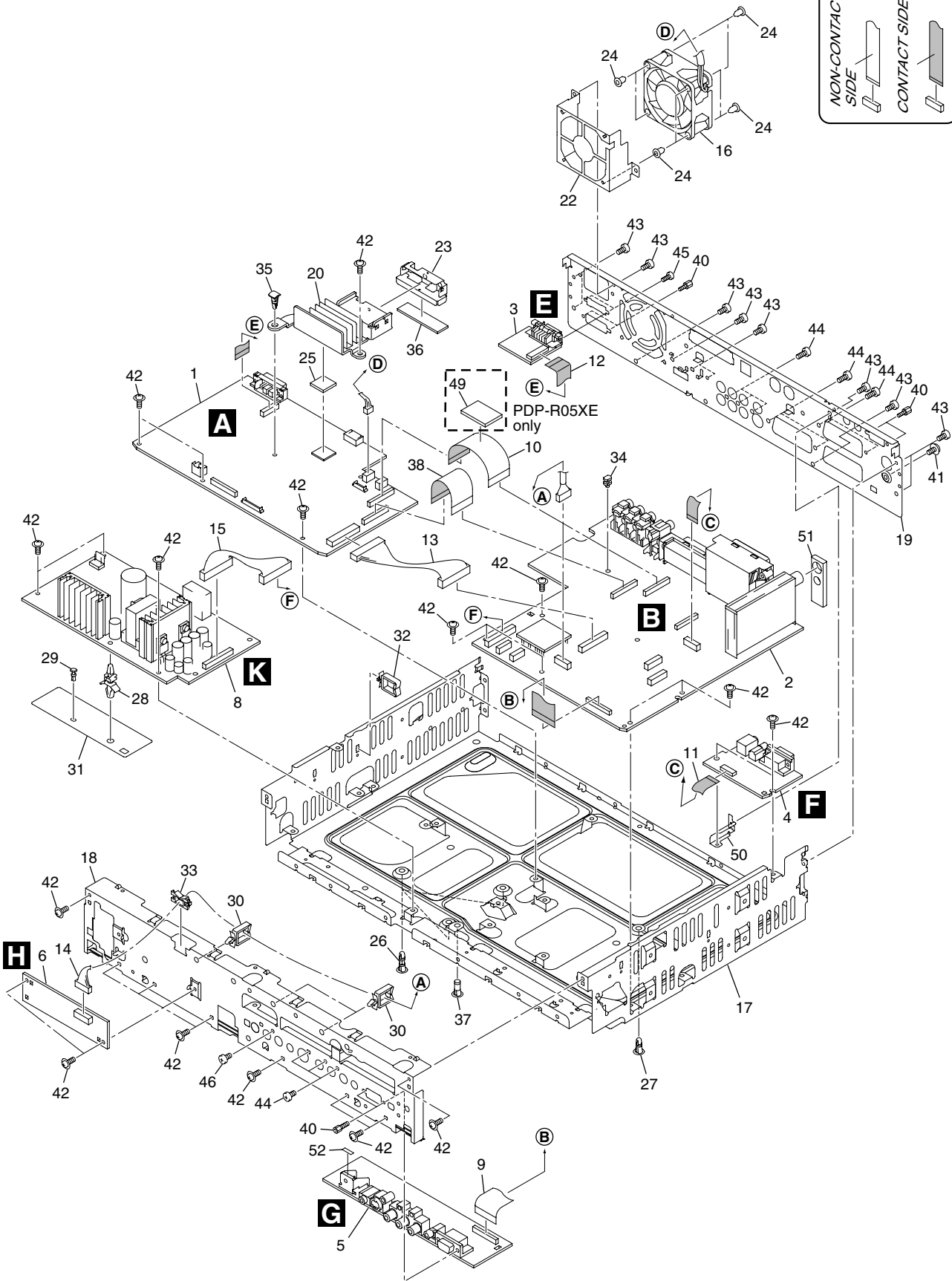
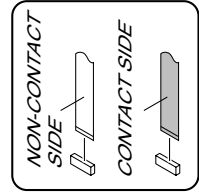
B

C

D

E

F



EXTERIOR SECTION (2) PARTS LIST

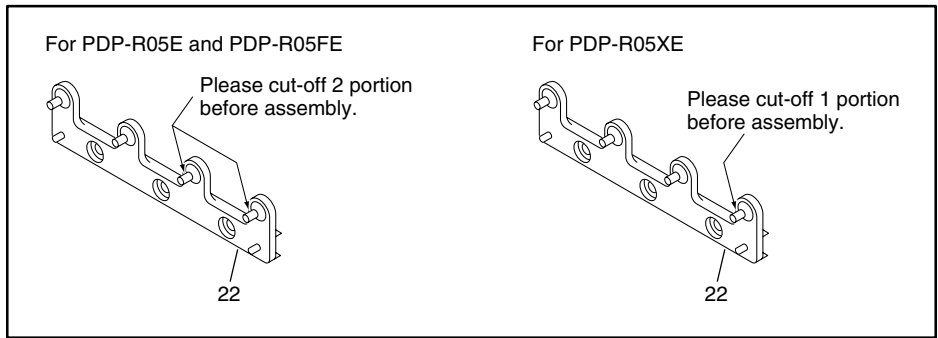
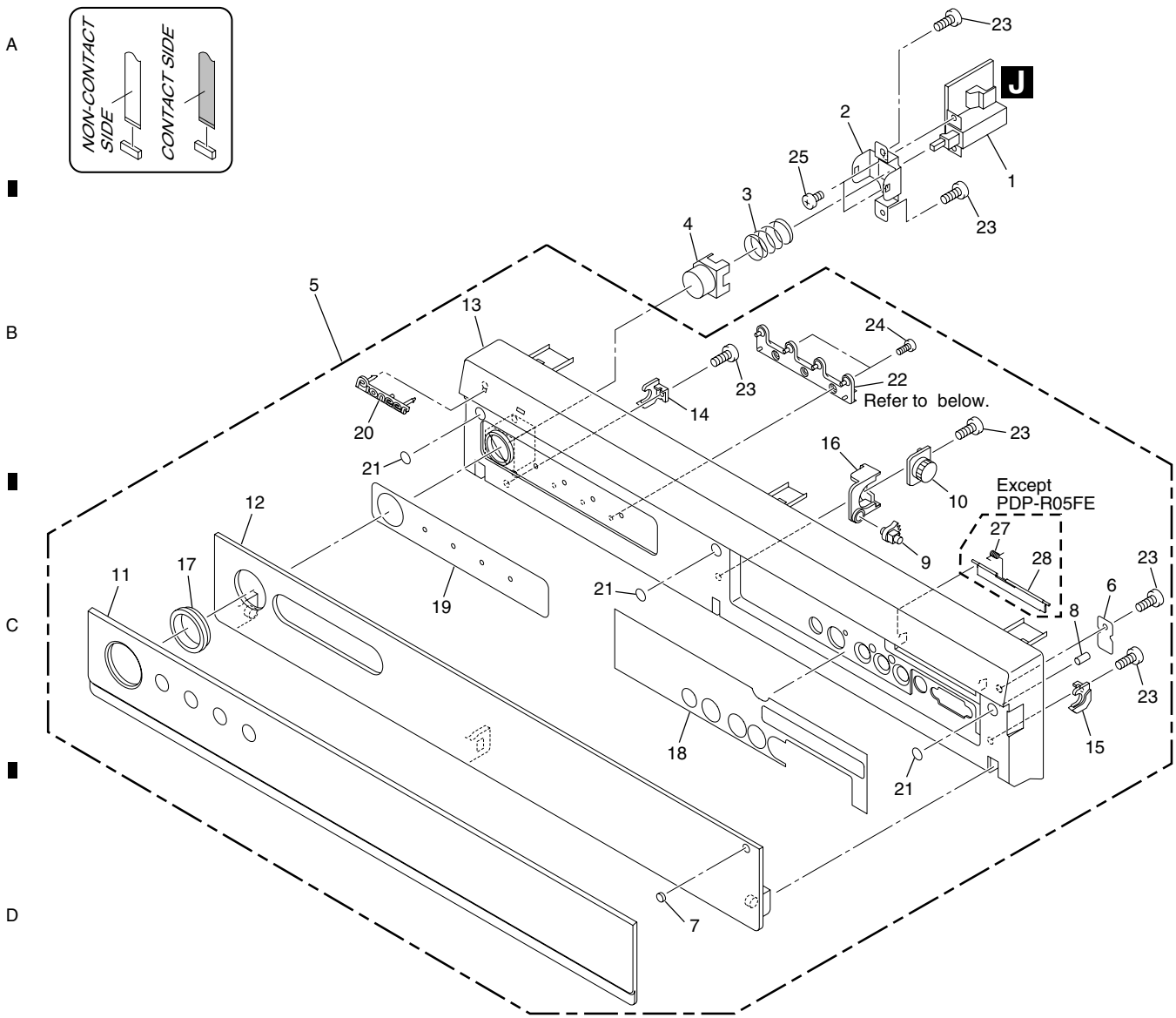
Mark No.	Description	Part No.	Mark No.	Description	Part No.
1	MR MAIN BOARD Assy	See Contrast table (2)	31	Barrier A	AEC2017
2	AV BOARD Assy	See Contrast table (2)	32	Re-use Wire Saddle	AEC1945
3	MDR Assy	AWZ6948	33	Edge Saddle	AEC1946
4	SR Assy	See Contrast table (2)	34	Mini Card Spacer	AEC1959
5	FRONT Assy	See Contrast table (2)	35	Circuit Board Spacer	AEC1964
6	LED Assy	See Contrast table (2)	36	Gasket F	ANK1722
7	•••••		37	Card Spacer A	BEC1120
⚠ 8	POWER SUPPLY Unit	AXY1091	38	Flexible Cable (J202)	ADD1209
9	Flexible Cable (J201)	ADD1209	39	•••••	
10	Flexible Cable (J203)	ADD1210	40	Hexagon Head Screw	BBA1051
11	Flexible Cable (J206)	ADD1213	41	Screw	ABZ30P060FTB
12	Flexible Cable (J207)	ADD1214	42	Screw	ABZ30P080FTC
13	15P Housing Wire (J105)	ADX2833	43	Screw	BBZ30P060FTB
14	7P Housing Wire (J109)	ADX3015	44	Screw	BPZ30P100FTB
15	16P Housing Wire (J112)	ADX2917	45	Screw	PMZ26P060FTB
⚠ 16	Fan Motor 60 x 25L	AXM1045	46	Screw	BMZ30P060FTC
17	Base Chassis	ANA1811	47	•••••	
18	Front Chassis	See Contrast table (2)	48	•••••	
19	Terminal Panel	See Contrast table (2)	49	FFC Cushion (XE)	See Contrast table (2)
20	Heatsink HDMI	ANH1618	50	SR Holder E	ANG2581
21	•••••		51	Gasket	ANK1730
22	Fan Holder	ANG2568	52	Front Ground Spacer	AEC2016
23	HDMI Shield	ANG2646			
24	Insulation Rubber	AEB1377			
25	Silicone Sheet HDMI	AEB1379			
26	PCB Holder	AEC1097			
27	Spacer	AEC1256			
28	Locking Card Spacer	AEC1429			
29	Nyron Rivet	AEC1671			
30	Wire Saddle	AEC1745			

(2) CONTRAST TABLE

PDP-R05E/WYVI, /WYVIXK, PDP-R05XE/WYVIXK, PDP-R05FE/WYVI and / WYVIXK are constructed the same except for the following:

Mark	No.	Description	PDP-R05E/ WYVI	PDP-R05E/ WYVIXK	PDP-R05XE/ WYVIXK	PDP-R05FE/ WYVI	PDP-R05FE/ WYVIXK
	1	MR MAIN BOARD Assy	AWZ6944	AWZ6944	AWZ6990	AWZ6945	AWZ6945
	2	AV BOARD Assy	AWZ6946	AWZ6946	AWZ6986	AWZ6947	AWZ6947
	4	SR Assy	AWZ6949	AWZ6949	AWZ6949	AWZ6950	AWZ6950
	5	FRONT Assy	AWZ6951	AWZ6951	AWZ6951	AWZ6952	AWZ6952
	6	LED Assy	AWZ6953	AWZ6953	AWZ6953	AWZ6954	AWZ6954
	18	Front Chassis E	ANB1867	ANB1867	ANB1867	Not used	Not used
	18	Front Chassis	Not used	Not used	Not used	ANB1866	ANB1866
	19	Terminal Panel E	ANC2363	ANC2369	Not used	Not used	Not used
	19	Terminal Panel XE	Not used	Not used	ANC2362	Not used	Not used
	19	Terminal Panel FE	Not used	Not used	Not used	ANC2364	ANC2370
	49	FFC Cushion (XE)	Not used	Not used	AEB1407	Not used	Not used

2.4 FRONT PANEL SECTION



FRONT PANEL SECTION PARTS LIST

<u>Mark No.</u>	<u>Description</u>	<u>Part No.</u>	<u>Mark No.</u>	<u>Description</u>	<u>Part No.</u>
1	SW Assy	AWZ6920	16	Damper Holder	AMR3416
2	SW Holder	ANG2670	17	Escutcheon Ring	ADD4130
3	SW Spring	ABH1109	18	Sealing Sheet	See Contrast table (2)
4	Power Button	ADD4128	19	Sealing Sheet S	See Contrast table (2)
5	Front Panel Assy	See Contrast table (2)	20	Pioneer Badge	VAM1124
6	Magnet Holder	ANG2671	21	Door Cushion	See Contrast table (2)
7	Magnet Catcher	ANG2675	22	LED Lens	AMR3417
8	Magnet	AMF1004	23	Screw	BPZ30P100FTB
9	Gear	AMR3418	24	Screw	JPZ20P035FNI
10	Damper	AXA1018	25	Screw	BMZ30P060FTC
11	Panel	See Contrast table (2)	26	•••••	
12	Door	AAN1473	27	PC Spring	See Contrast table (2)
13	Front Panel	See Contrast table (2)	28	PC Card Door	See Contrast table (2)
14	Door Holder L	AMR3414			
15	Door Holder R	AMR3415			

(2) CONTRAST TABLE

PDP-R05E/WYVI, /WYVIXK, PDP-R05XE/WYVIXK, PDP-R05FE/WYVI and / WYVIXK are constructed the same except for the following:

Mark	No.	Description	PDP-R05E/ WYVI	PDP-R05E/ WYVIXK	PDP-R05XE/ WYVIXK	PDP-R05FE/ WYVI	PDP-R05FE/ WYVIXK
	5	Front Panel Assy E	AXG1021	AXG1021	Not used	Not used	Not used
	5	Front Panel Assy XE	Not used	Not used	AXG1020	Not used	Not used
	5	Front Panel Assy FE	Not used	Not used	Not used	AXG1022	AXG1022
	11	Panel (E)	AAK2826	AAK2826	Not used	AAK2826	AAK2826
	11	Panel (XE)	Not used	Not used	AAK2825	Not used	Not used
	13	Front Panel (E)	AMB2829	AMB2829	Not used	Not used	Not used
	13	Front Panel (XE)	Not used	Not used	AMB2828	Not used	Not used
	13	Front Panel (FE)	Not used	Not used	Not used	AMB2830	AMB2830
	18	Sealing Sheet (XE E)	AAL2547	AAL2547	AAL2547	Not used	Not used
	18	Sealing Sheet (FE)	Not used	Not used	Not used	AAL2548	AAL2548
	19	Sealing Sheet S (GC)	AAL2555	AAL2555	Not used	AAL2555	AAL2555
	19	Sealing Sheet S (E)	Not used	Not used	AAL2554	Not used	Not used
	21	Door Cushion	AEB1391	AEB1391	AEB1391	AEB1394	AEB1394
	27	PC Spring	ABH1112	ABH1112	ABH1112	Not used	Not used
	28	PC Card Door	AMR3365	AMR3365	AMR3365	Not used	Not used