
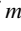
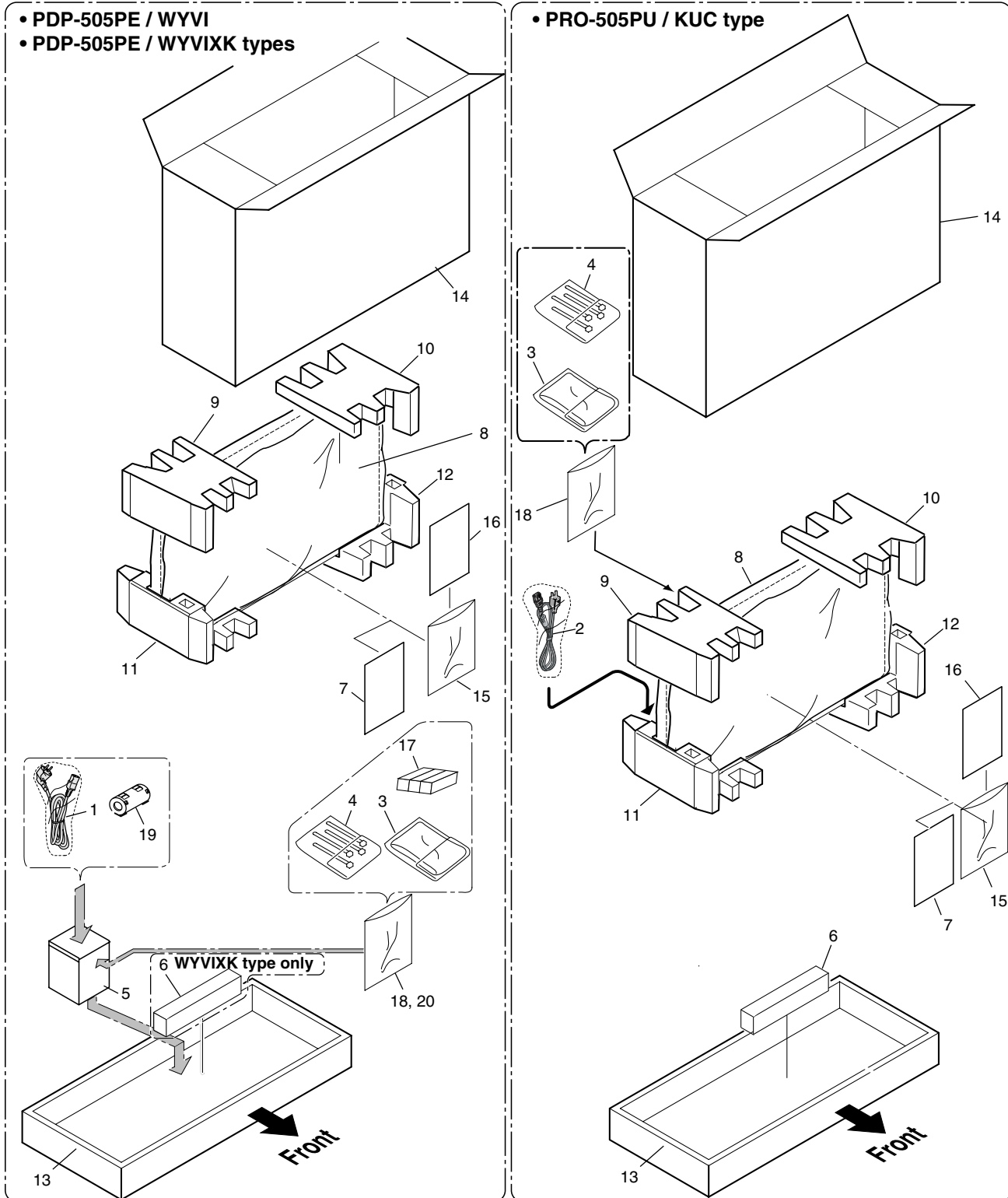


## 2. EXPLODED VIEWS AND PARTS LIST

- NOTES:
- Parts marked by "NSP" are generally unavailable because they are not in our Master Spare Parts List.
  - The  mark found on some component parts indicates the importance of the safety factor of the part. Therefore, when replacing, be sure to use parts of identical designation.
  - Screws adjacent to  mark on product are used for disassembly.
  - For the applying amount of lubricants or glue, follow the instructions in this manual. (In the case of no amount instructions, apply as you think it appropriate.)

### 2.1 PACKING



## PACKING Parts List

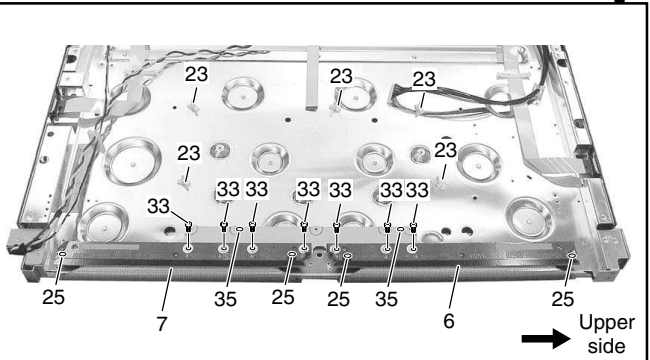
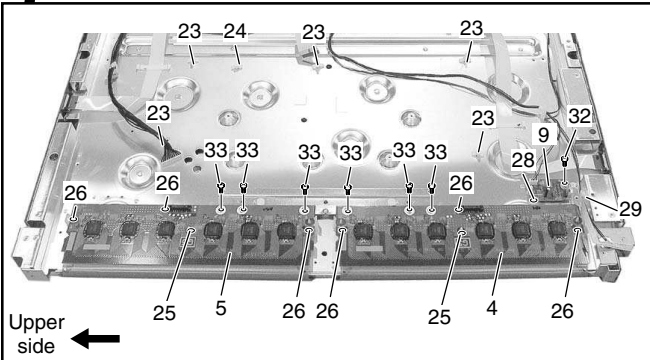
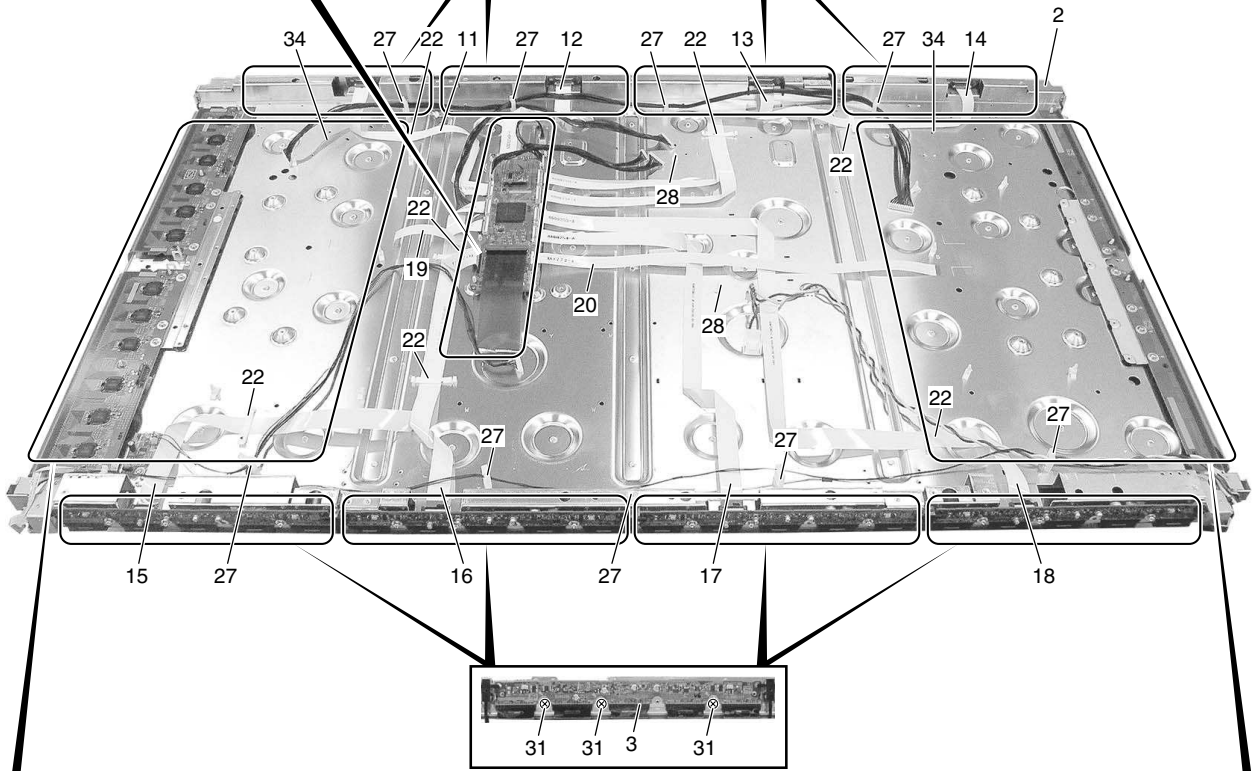
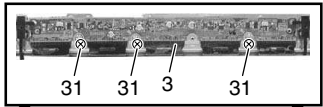
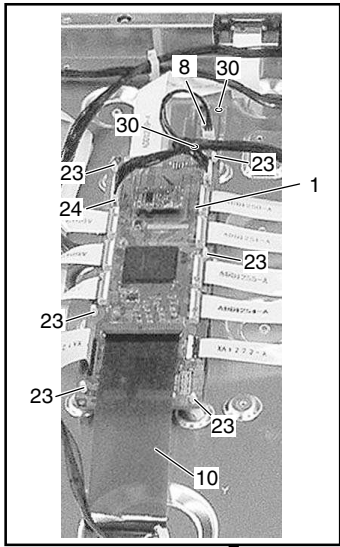
Mark No.	Description	Part No.	Mark No.	Description	Part No.
⚠ 1	Power Cord	See Contrast table (2)	11	Pad	See Contrast table (2)
⚠ 2	Power Cord	See Contrast table (2)	12	Pad	See Contrast table (2)
3	Wiping Cloth	AED1208	13	Carton (50)	See Contrast table (2)
4	Binder Assy	AEC1908	14	Upper Carton	See Contrast table (2)
5	Code Case	See Contrast table (2)	15	Vinyl Bag	See Contrast table (2)
6	Center Pad (50)	See Contrast table (2)	16	Caution Card	ARM1232
NSP 7	Warranty Card	See Contrast table (2)	17	Speaker Cushion	See Contrast table (2)
8	Mirror Mat	See Contrast table (2)	18	Vinyl Bag S	See Contrast table (2)
9	Pad	See Contrast table (2)	19	Ferrite Core	See Contrast table (2)
10	Pad	See Contrast table (2)	20	Poly Bag	See Contrast table (2)

## (2) CONTRAST TABLE

PDP-505PE/WYVIXK, PRO-505PU/KUC and PDP-505PE/WYVI are constructed the same except for the following :

Mark	No.	Symbol and Description	PDP-505PE WYVI	PDP-505PE WYVIXK	PRO-505PU KUC
⚠	1	Power Cord	ADG1214	ADG1214	Not used
⚠	2	Power Cord	Not used	Not used	ADG1215
	5	Code Case	AHC1041	AHC1049	Not used
	6	Center Pad (50)	Not used	AHA2335	Not used
NSP	7	Warranty Card	ARY1114	ARY1114	ARY1134
	8	Mirror Mat	AHG1284	AHG1327	AHG1284
	9	Pad (50T-L)	AHA2366	Not used	AHA2366
	9	Pad (T-L)	Not used	AHA2381	Not used
	10	Pad (50T-R)	AHA2367	Not used	AHA2367
	10	Pad (T-R)	Not used	AHA2382	Not used
	11	Pad (50B-L)	AHA2368	Not used	AHA2368
	11	Pad (B-L)	Not used	AHA2383	Not used
	12	Pad (50B-R)	AHA2369	Not used	AHA2369
	12	Pad (B-R)	Not used	AHA2384	Not used
	13	Carton (50)	AHD3177	AHD3191	AHD3177
	14	Upper Carton (505PE)	AHD3265	Not used	Not used
	14	Upper Carton (50)	Not used	AHD3271	Not used
	14	Upper Carton (50EL)	Not used	Not used	AHD3281
	15	Vinyl Bag	AHG1340	Not used	AHG1340
	17	Speaker Cushion	AEB1384	AEB1384	Not used
	18	Vinyl Bag S	AHG1338	Not used	AHG1338
	19	Ferrite Core	ATX1039	ATX1039	Not used
	20	Poly Bag	Not used	AHG1326	Not used

# 2.2 CHASSIS SECTION (1)



**CHASSIS SECTION (1) parts List**

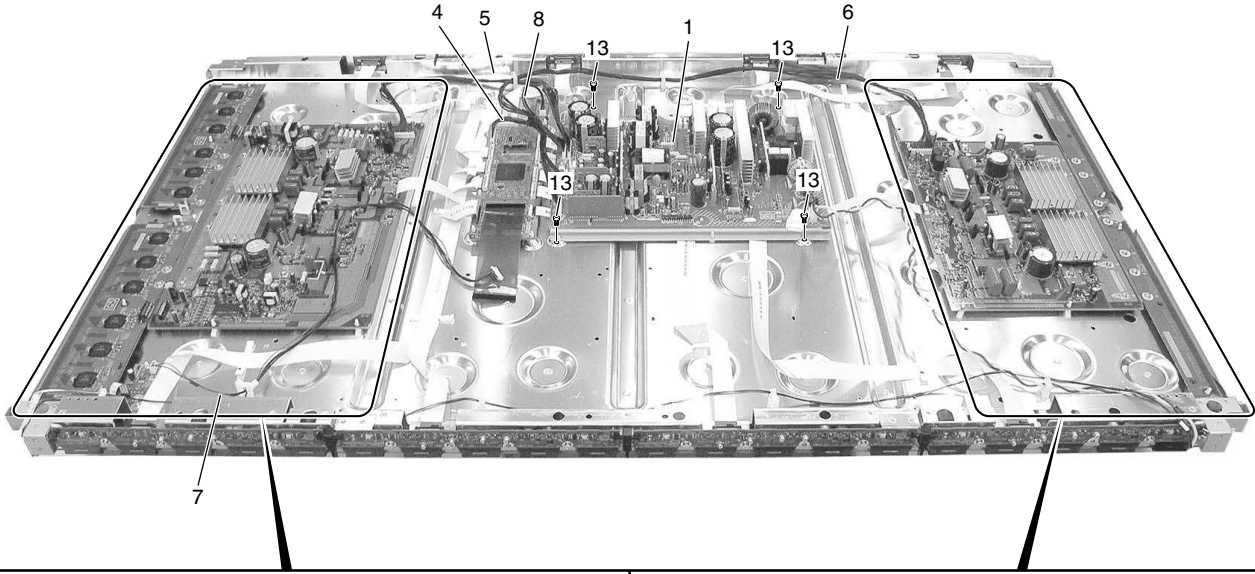
<u>Mark No.</u>	<u>Description</u>	<u>Part No.</u>	
1	DIGITAL VIDEO Assy	AWV2074	
NSP 2	P. Chassis (505) Assy	AWU1092	A
NSP 3	50 ADDRESS Assy	AWZ6870	
NSP 4	50 SCAN A Assy	AWZ6878	
NSP 5	50 SCAN B Assy	AWZ6879	
NSP 6	X CONNECTOR A Assy	AWZ6880	
NSP 7	X CONNECTOR B Assy	AWZ6881	
8	PANEL SENSOR Assy	AWZ6872	
9	KEY CONTROL Assy	AWZ6844	
10	FPC (114P)	ADY1088	
11	Flexible Cable (J201)	ADD1248	B
12	Flexible Cable (J202)	ADD1249	
13	Flexible Cable (J203)	ADD1250	
14	Flexible Cable (J204)	ADD1251	
15	Flexible Cable (J205)	ADD1252	
16	Flexible Cable (J206)	ADD1253	
17	Flexible Cable (J207)	ADD1254	
18	Flexible Cable (J208)	ADD1255	
19	Flexible Cable (J209)	ADD1270	
20	Flexible Cable (J210)	ADD1271	C
21	•••••		
22	Flat Clamp	AEC1879	
23	PCB Spacer	AEC1941	
24	PCB Support	AEC1938	
25	PCB Spacer	AEC1944	
26	PCB Support	AEC1958	
27	Wire Saddle	AEC1745	
28	PCB Spacer	AEC1947	
29	Wire Clip	AEC1948	
30	Nylon Rivet	AEC1671	D
31	Screw	VBB30P080FNI	
32	Screw	ABZ30P060FTC	
33	Screw	PMB30P060FNI	
34	Rear corner label	AAX3081	
35	Card Spacer	AEC2013	



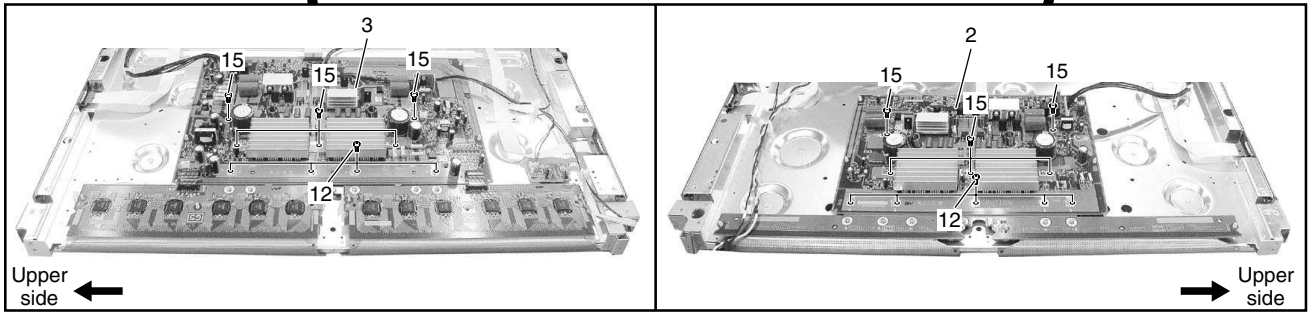
1 2 3 4

## 2.3 CHASSIS SECTION (2)

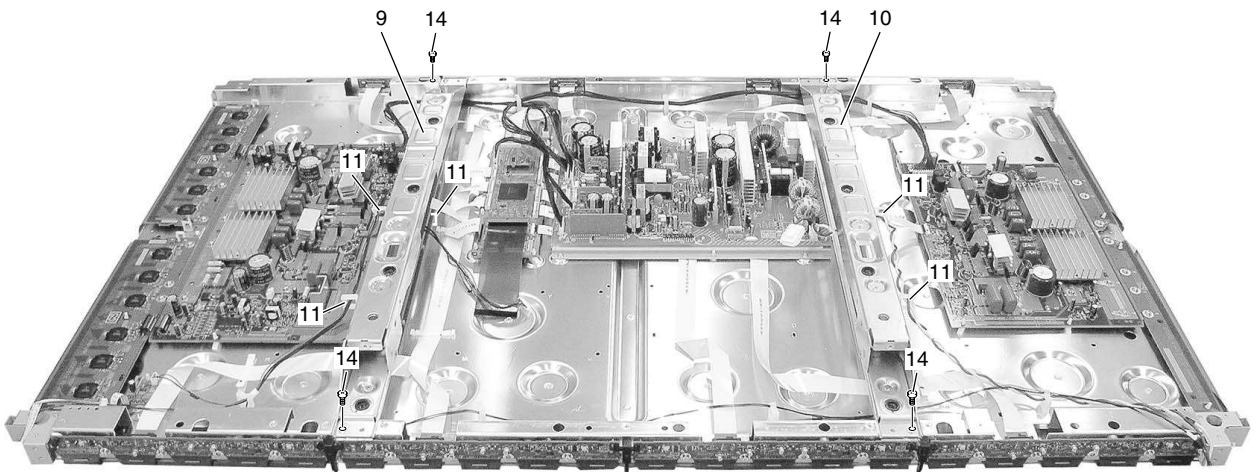
A



C



D



F

**CHASSIS SECTION (2) parts List**

<u>Mark No.</u>	<u>Description</u>	<u>Part No.</u>	
⚠ 1	POWER SUPPLY Unit	AXY1085	
2	50 X DRIVE Assy	AWZ6877	A
3	50 Y DRIVE Assy	AWV2082	
4	Wire A (J101)	ADX2945	
5	11P Housing Wire (J102)	ADX2950	
6	12P Housing Wire (J103)	ADX2951	■
7	9P Housing Wire (J106)	ADX2949	
8	3P Housing Wire (J109)	ADX2948	
9	SUB Frame L Assy (50P)	ANG2638	
10	SUB Frame R Assy (50P)	ANG2561	
11	Wire Saddle	AEC1745	B
12	Screw	PMB30P060FNI	
13	Screw	ABZ30P060FTC	
14	Screw	AMZ30P080FTC	
15	Screw	VBB30P080FNI	■

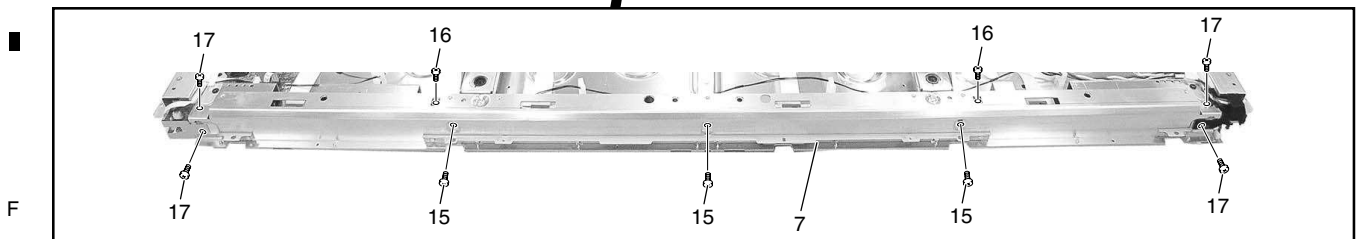
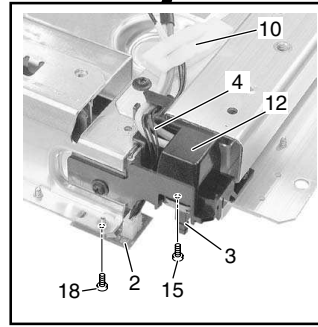
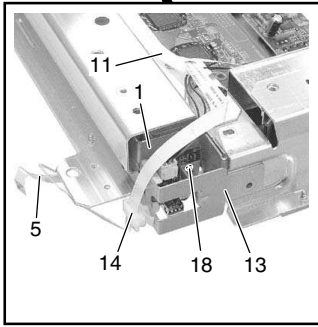
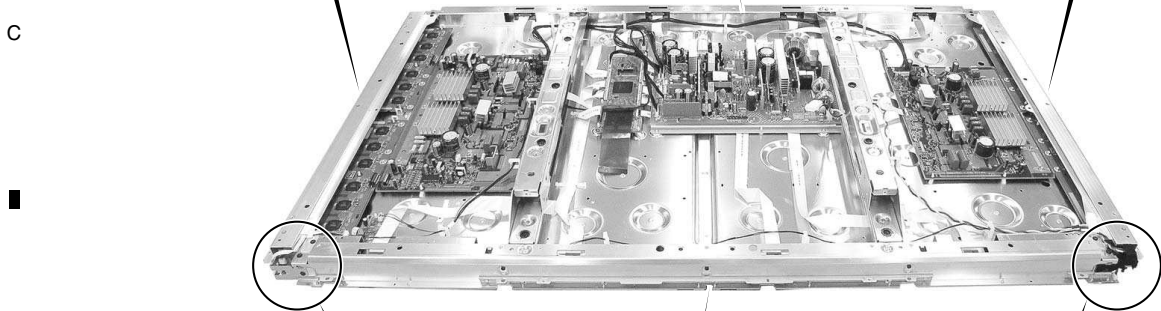
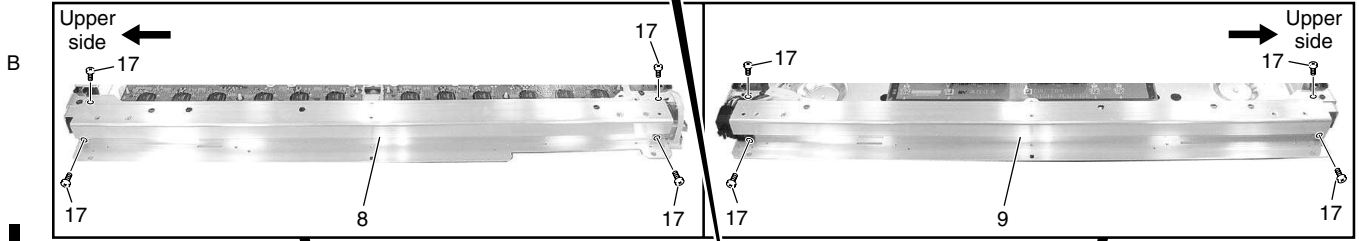
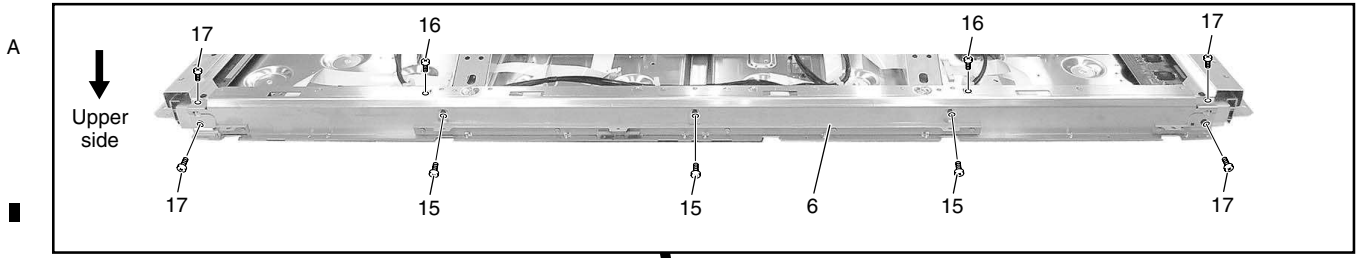
C

D

E

F

1 ■ 2 ■ 3 ■ 4 ■  
**2.4 FRAME SECTION**



**FRAME SECTION parts List**

<u>Mark No.</u>	<u>Description</u>	<u>Part No.</u>	
1	PANEL IR Assy	AWZ6845	
2	PANEL LED Assy	AWZ6842	A
⚠ 3	Power Switch (S1)	ASG1092	
4	Housing Wire (50)(J110)	ADX2964	
5	Flexible Cable (J211)	ADD1225	
6	Front Chassis HU Assy (50)	ANA1792	
7	Front Chassis HD Assy (50)	ANA1793	
8	Front Chassis VL (50)	ANA1794	
9	Front Chassis VR (50)	ANA1795	
10	Clamp	AEC1884	
11	Flat Clamp	AEC1879	B
12	Switch Holder	AMR3402	
13	IR Holder	ANG2665	
14	Wire Clip	AEC1948	
15	Screw	BPZ30P080FTB	
16	Screw	AMZ30P080FTC	
17	Screw	AMZ30P060FTB	
18	Screw	ABZ30P060FTC	

A

B

C

D

E

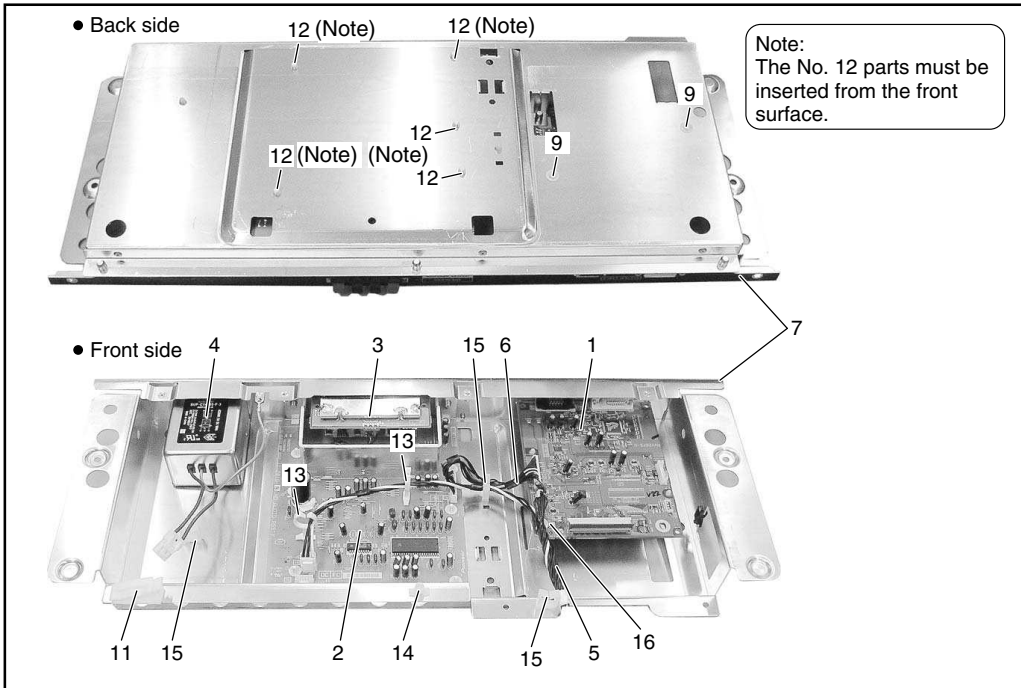
F



1 2 3 4

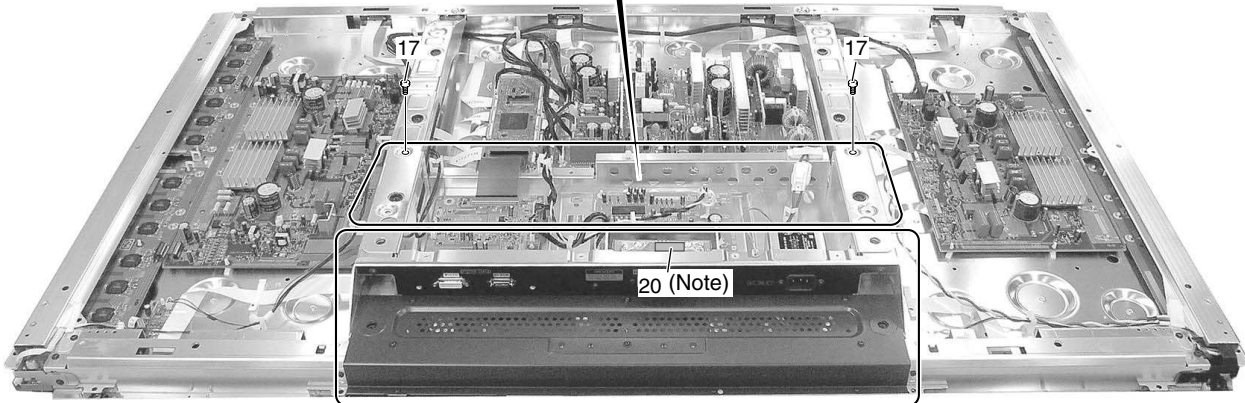
## 2.5 MULTI BASE SECTION

A



B

C

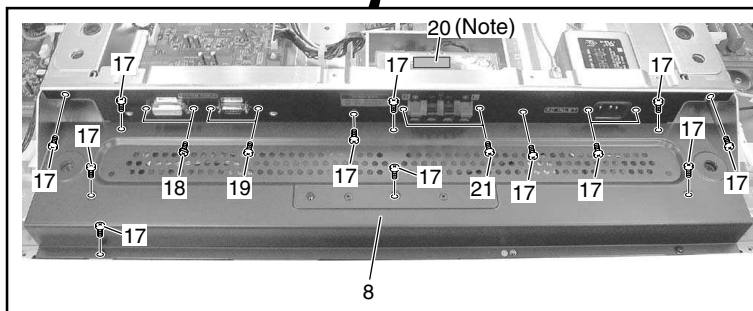


D

E

Note: When servicing, be sure to glue on the Gasket (AU) and make sure that they won't peel off.

F



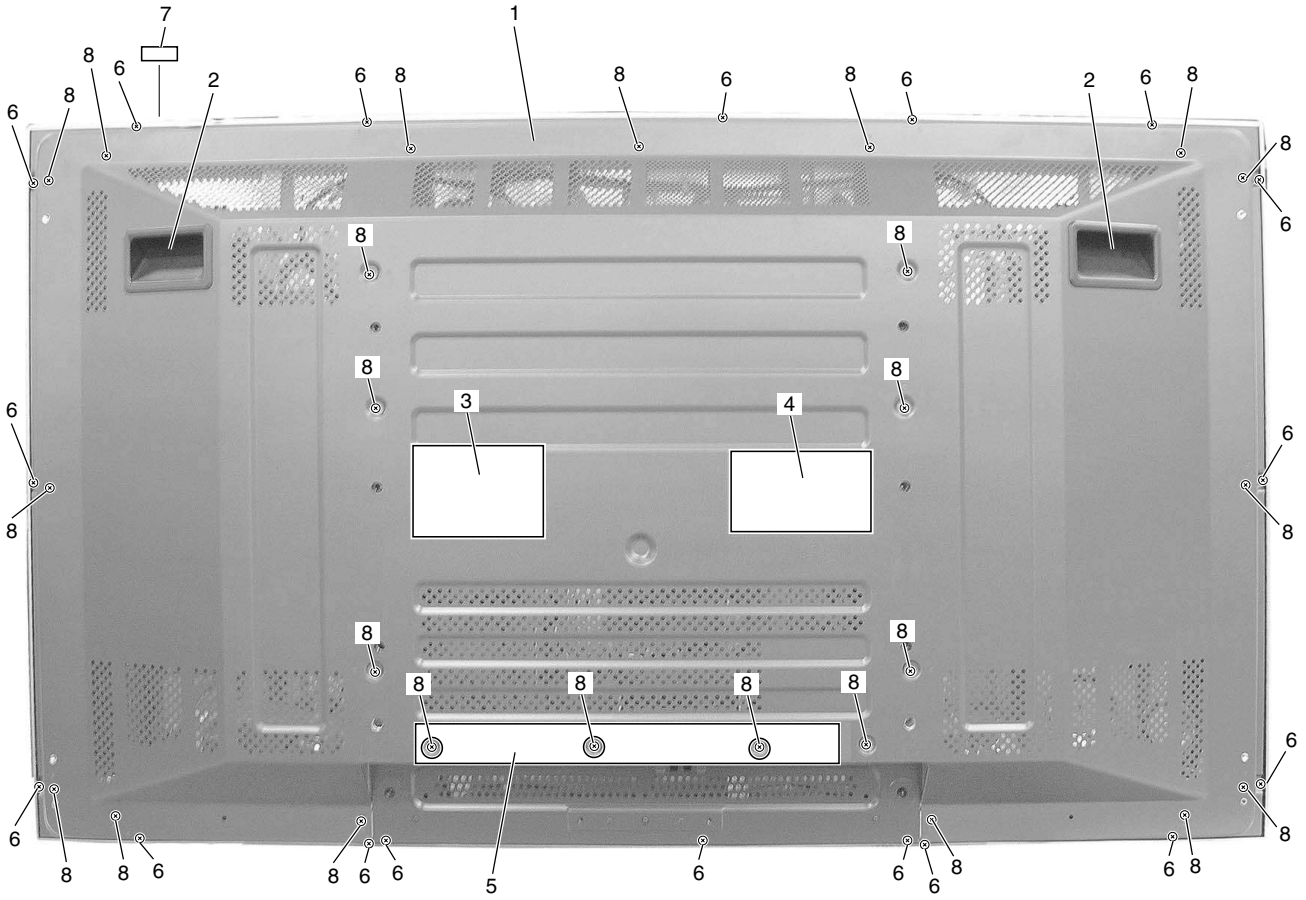
**MULTI BASE SECTION parts List**

<u>Mark No.</u>	<u>Description</u>	<u>Part No.</u>	
1	PANEL IF Assy	AWZ6841	
2	HD AUDIO AMP Assy	AWZ6863	A
3	HD SP TERMINAL Assy	AWZ6864	
⚠ 4	AC Inlet (CN1)	AKP1263	
5	3P/8P Housing Wire (J104)	ADX2922	
6	13P Housing Wire (J105)	ADX2947	
7	Multi Base (P) Assy	ANA1786	
8	Under Cover Assy	ANG2589	
9	Locking Card Spacer V0	AEC2005	
10	•••••		
11	Clamp	AEC1884	B
12	PCB Spacer	AEC1941	
13	HL 18	AEC1980	
14	SB Spacer	AEC2002	
NSP 15	Wire Saddle	AEC1745	
16	Screw	PMB30P060FNI	
17	Screw	AMZ30P060FTB	
18	Hexagon Headed Screw	BBA1051	
19	Screw	PMZ26P060FTB	
20	Gasket (AU)	ANK1745	C
21	Screw	BPZ30P080FTB	

1 2 3 4

## 2.6 REAR SECTION

A



D

E

F

**REAR SECTION parts List**

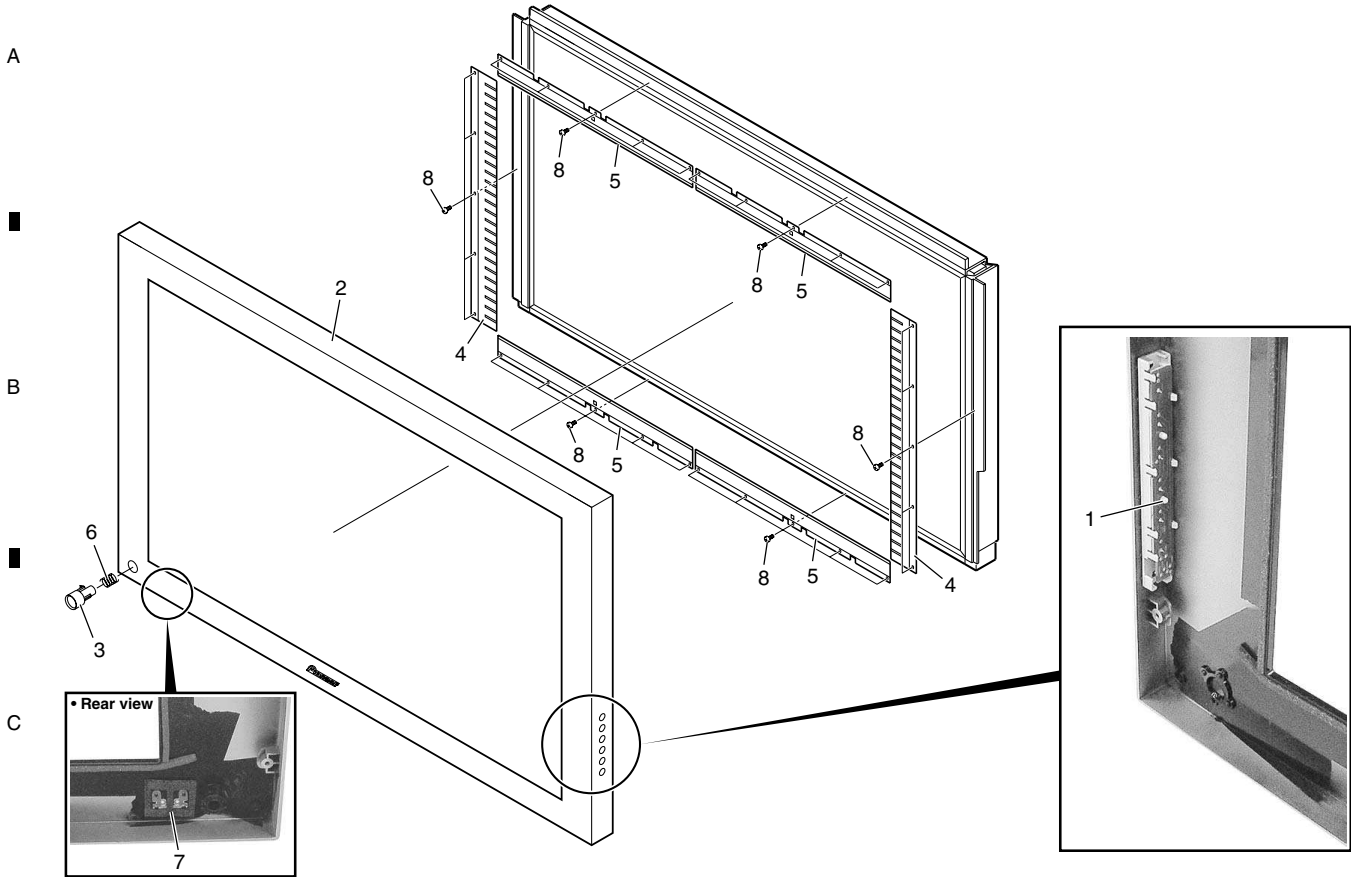
<u>Mark No.</u>	<u>Description</u>	<u>Part No.</u>	<u>Mark No.</u>	<u>Description</u>	<u>Part No.</u>
1	Rear Case (50P)	ANE1626	6	Screw	ABZ30P100FTB
2	Inner Grip Assy	AMR3434	7	Serial Sheet	AAX3143
NSP 3	Name Label	See Contrast table (2)	8	Screw	AMZ30P060FTB
4	Volt caution Label	See Contrast table (2)			
5	Terminal Label	See Contrast table (2)			

**(2) CONTRAST TABLE**

PDP-505PE/WYVIXK, PRO-505PU/KUC and PDP-505PE/WYVI are constructed the same except for the following :

Mark	No.	Symbol and Description	PDP-505PE WYVI	PDP-505PE WYVIXK	PRO-505PU KUC
NSP	3	Name Label	AAL2568	AAL2580	AAL2570
	4	Volt Caution Label	AAX3117	AAX3005	AAX3117
	5	Terminal Label	AAX2998	AAX3006	AAX2997

## 2.7 FRONT SECTION



### FRONT SECTION parts List

Mark No.	Description	Part No.	Mark No.	Description	Part No.
1	PANEL KEY Assy	AWZ6843	6	Coil Spring	ABH1114
2	Front Case Assy	See Contrast table (2)	7	Blind Cushion	AEB1383
3	Power Button	AAD4127	8	Screw	ABZ30P060FTC
NSP 4	Panel Holder V (50)	ANG2663			
5	Panel Holder H Assy 50	See Contrast table (2)			

### (2) CONTRAST TABLE

PDP-505PE/WYVIXK, PRO-505PU/KUC and PDP-505PE/WYVI are constructed the same except for the following :

Mark	No.	Symbol and Description	PDP-505PE WYVI	PDP-505PE WYVIXK	PRO-505PU KUC
	2	Front Case Assy (50PE)	AMB2834	AMB2834	Not used
	2	Front Case Assy (50EL)	Not used	Not used	AMB2836
	5	Panel Holder H Assy 50	ANG2678	Not used	ANG2678
	5	Panel Holder H	Not used	ANG2662	Not used
	5	Gasket	Not used	ANK1740	Not used



## 2.8 PANEL CHASSIS (50) Assy (AWU1092)

### PANEL CHASSIS (50) Assy (AWU1092) parts List

Mark No.	Description	Part No.	Mark No.	Description	Part No.
NSP	1..50 ADDRESS Assy	AWV2080		Rivet (Plastic)	AMR1066
NSP	2..50 ADDRESS Assy	AWZ6870		FC Spacer	AMR3370
NSP	1..50 SCAN Assy	AWV2083			
NSP	2..50 SCAN A Assy	AWZ6878	NSP	Adhesive	ZBA-KE3424S
NSP	2..50 SCAN B Assy	AWZ6879	NSP	Lotion	ZLX-AP7
NSP	2..X CONNECTOR A Assy	AWZ6880	NSP	Tape	ZTA-8101-12
NSP	2..X CONNECTOR B Assy	AWZ6881	NSP	Double Faced Tape	ZTB-5015-18
			NSP	Silicone Rubber	ZTC-EM7KB0R85T-15W
NSP	P. Panel (50LC) Assy	AWU1103			
NSP	Adress Module (IC1-IC40)	AXF1129	NSP	Tape	ZTC-POLYCA-20
NSP	FPC (50XGA-X)	ADY1084	NSP	Tape	ZTC-900UL-15
NSP	FPC (50XGA-Y)	ADY1085	NSP	Silicone Rubber	ZTX-HC20-15
NSP	Chassis Assy (505)	ANA1803	NSP	Silicone Rubber	ZTX-HC50-15
			NSP	Wiping Cloth	ZTX-MX100-13
	PCB Spacer	AEC1944			
	PCB Support	AEC1958	NSP	Film	ZTX-2102Y35-2R5
	Edge Card Spacer	AEC1998	NSP	Film	ZTX-2102Y45-5

## 2.9 PDP SERVICE Assy 505P (AWU1097)

### PDP SERVICE Assy 505P (AWU1097) parts List

MarkNo.	Description	Part No.
NSP	1..P.Chassis (505) Assy	AWU1092
	1..Front Chassis HU Assy (50)	ANA1792
	1..Front Chassis HD Assy (50)	ANA1793
	1..Front Chassis VL (50)	ANA1794
	1..Front Chassis VR (50)	ANA1795
	1..Sub Frame L Assy (50P)	ANG2638
	1..Sub Frame R Assy (50P)	ANG2561
	1..Wire Saddle	AEC1745
	1..PCB Support	AEC1938
	1..PCB Spacer	AEC1941
	1..PCB Spacer	AEC1947
	1..Wire Clip	AEC1948
	1..Card Spacer	AEC2013
	1..Caution Label	AAX3031
	1..Drive Voltage Label	ARW1097
	1..Screw	ABZ30P100FTB
	1..Screw	AMZ30P060FTB
	1..Screw	AMZ30P080FTC
	1..Screw	VBB30P080FNI
	1..Screw	BPZ30P080FTB
NSP	1..Front Case Assy (50SVC)	AMB2849
	2..Panel Cushion H (50)	AED1257
	2..Panel Cushion V (50)	AED1258
NSP	2..Front Case (50P)	AMB2823
	1..Rear Case (50P)	ANE1614
NSP	1..Vinyl Pouch	AHG-195
	1..Pad (50T-L)	AHA2366
	1..Pad (50T-R)	AHA2367
	1..Pad (50B-L)	AHA2368
	1..Pad (50B-R)	AHA2369
	1..Carton(50)	AHD3177
	1..Upper Carton (50SVC)	AHD3290
	1..Protect Sheet	AHG1331
	1..Rear corner label(15)	AAX3081