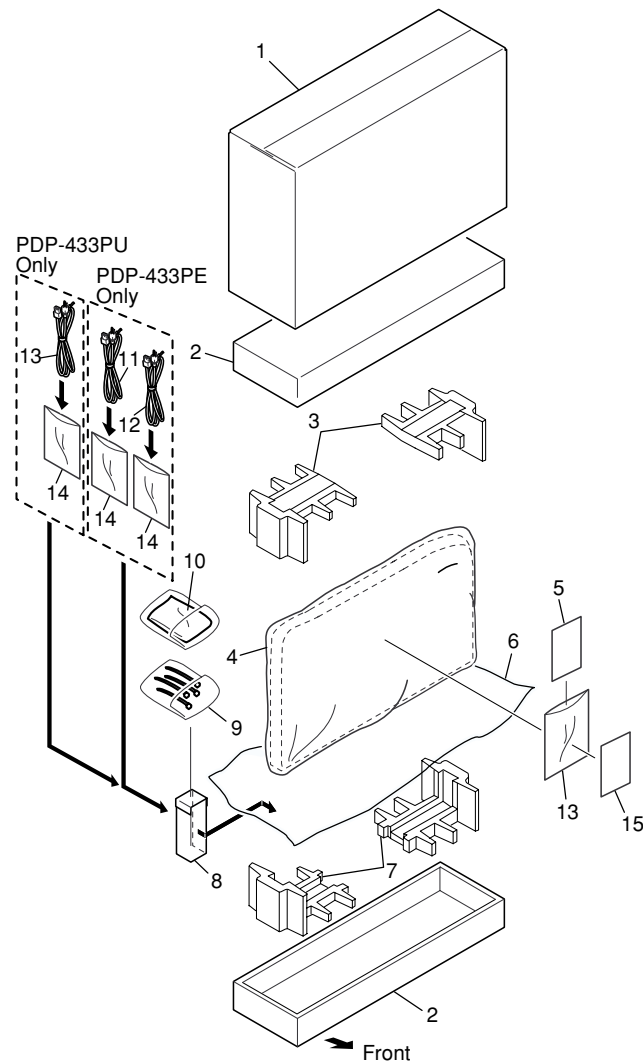


PDP-433PE, PDP-433PU

2. EXPLODED VIEWS AND PARTS LIST

- NOTES:
- Parts marked by "NSP" are generally unavailable because they are not in our Master Spare Parts List.
 - The Δ mark found on some component parts indicates the importance of the safety factor of the part. Therefore, when replacing, be sure to use parts of identical designation.
 - Screws adjacent to ∇ mark on the product are used for disassembly.
 - For the applying amount of lubricants or glue, follow the instructions in this manual. (In the case of no amount instructions, apply as you think it appropriate.)

2.1 PACKING



(1) PACKING PARTS LIST

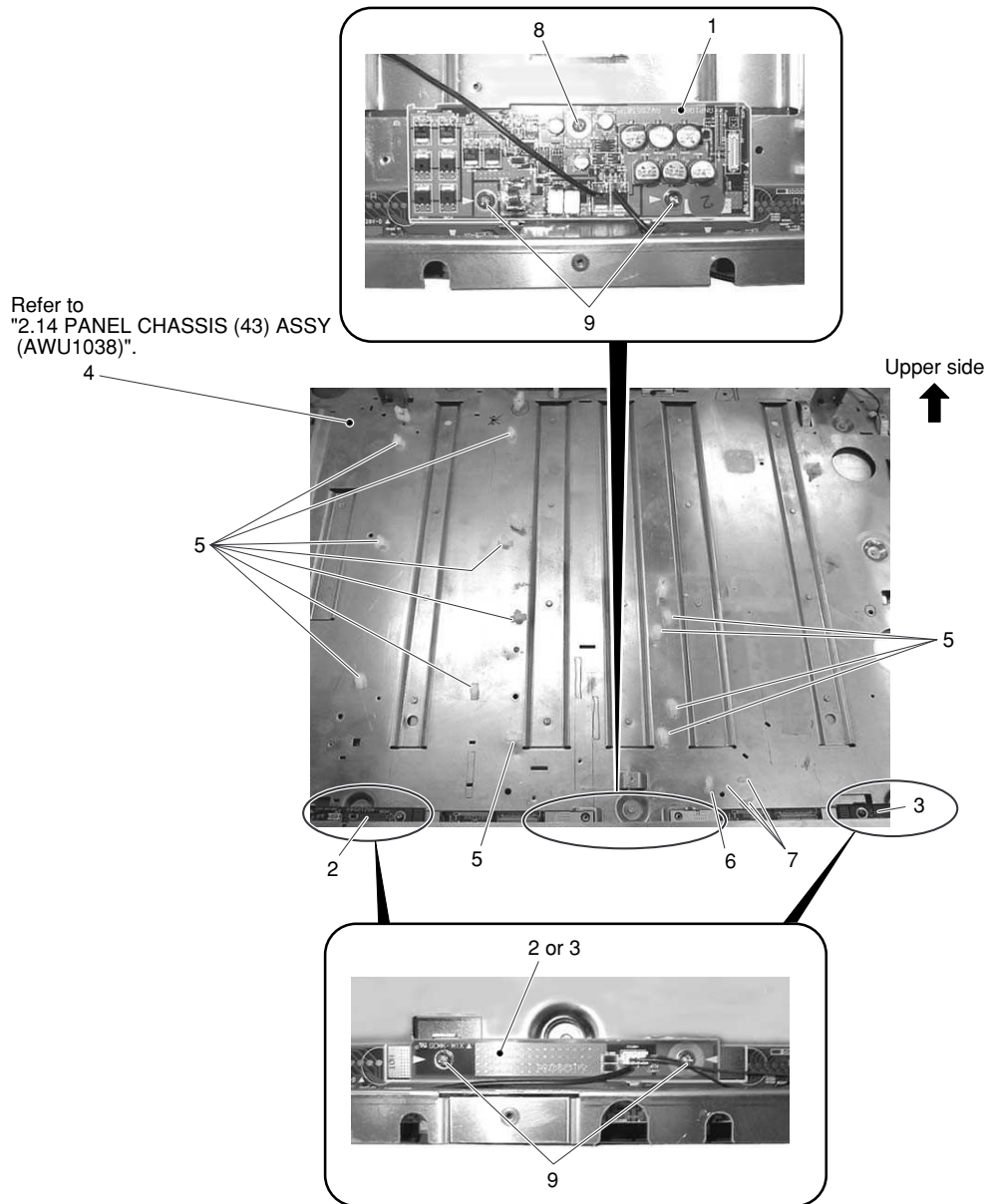
Mark	No.	Description	Part No.
	1	Packing Case (43)	See Contrast table (2)
	2	Carton (43)	AHD3100
	3	Pad (43U)	AHA2282
	4	Mirror Mat	AHG1284
NSP	5	Warranty Card	See Contrast table (2)
	6	Polyethylene Sheet	AHG1302
	7	Pad (43L)	AHA2283
	8	Cord Case	AHC1037
	9	Binder Assy (Speed Clamp $\times 3$, Bead Band $\times 3$)	AEC1908
	10	Wiping Cloth	AED1197
Δ	11	Power Cord	See Contrast table (2)
Δ	12	Power Cord	See Contrast table (2)
Δ	13	Power Cord	See Contrast table (2)
	14	Vinyl Bag	AHG1310
	15	Caution Sheet	ARM1201

(2) CONTRAST TABLE

PDP-433PE/WYVI6 and PDP-433PU/KUC are constructed the same except for the following :

Mark	No.	Symbol and Description	Part No.		Remarks
			PDP-433PE /WYVI6	PDP-433PU /KUC	
	1	Packing Case (43)	AHD3114	AHD3115	
NSP	5	Warranty Card	ARY1114	ARY1112	
Δ	11	Power Cord	ADG1173	Not used	
Δ	12	Power Cord	ADG1193	Not used	
Δ	13	Power Cord	Not used	ADG1178	

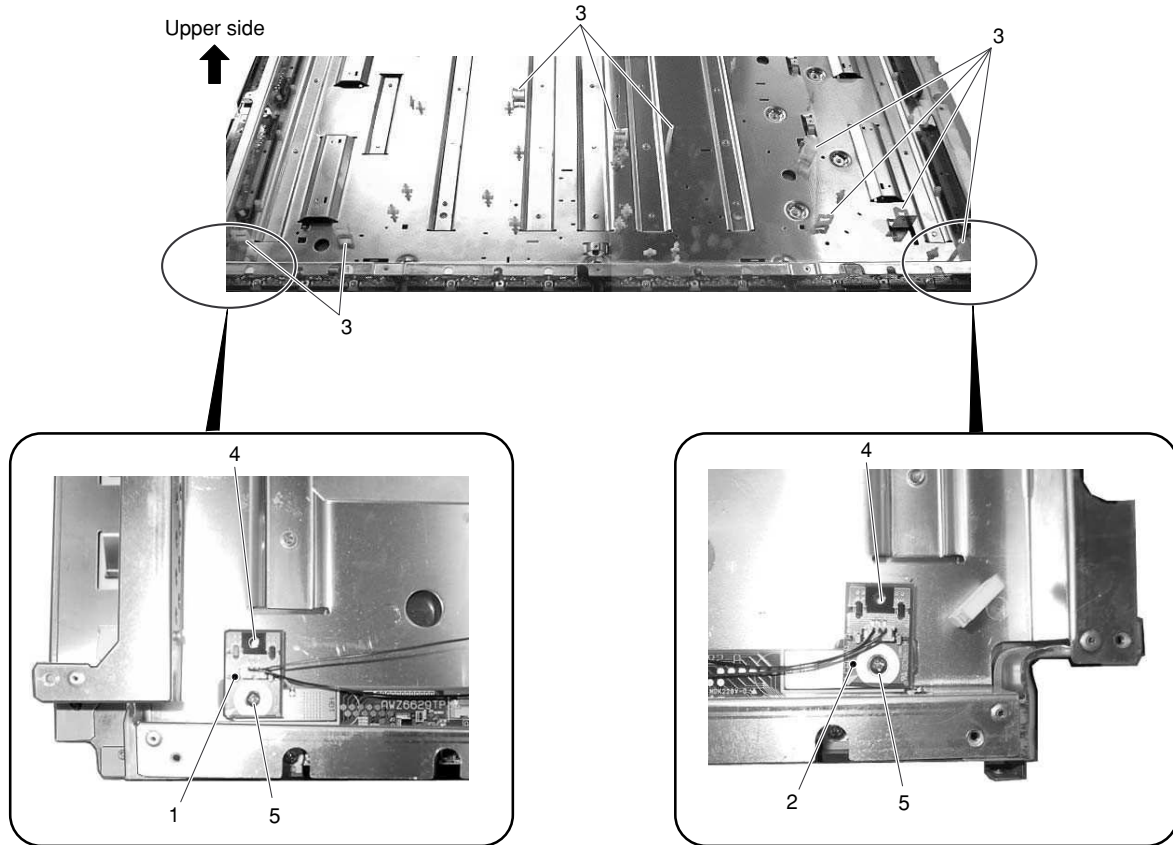
2.2 UNDER LAYER SECTION (1)



● UNDER LAYER SECTION (1) PARTS LIST

Mark	No.	Description	Part No.	Mark	No.	Description	Part No.
	1	ADR RESONANCE Assy	AWZ6682		5	Circuit Board Spacer	AEC1872
NSP	2	BRIDGE C Assy	AWZ6676		6	PCB Spacer	AEC1253
NSP	3	BRIDGE D Assy	AWZ6677		7	Circuit Board Spacer	AEC1873
	4	Panel Chassis (43) Assy [Refer to "2.14 PANEL CHASSIS (43) ASSY".]	AWU1038		8	Screw	VBB30P100FNI
					9	Screw	ABA1301

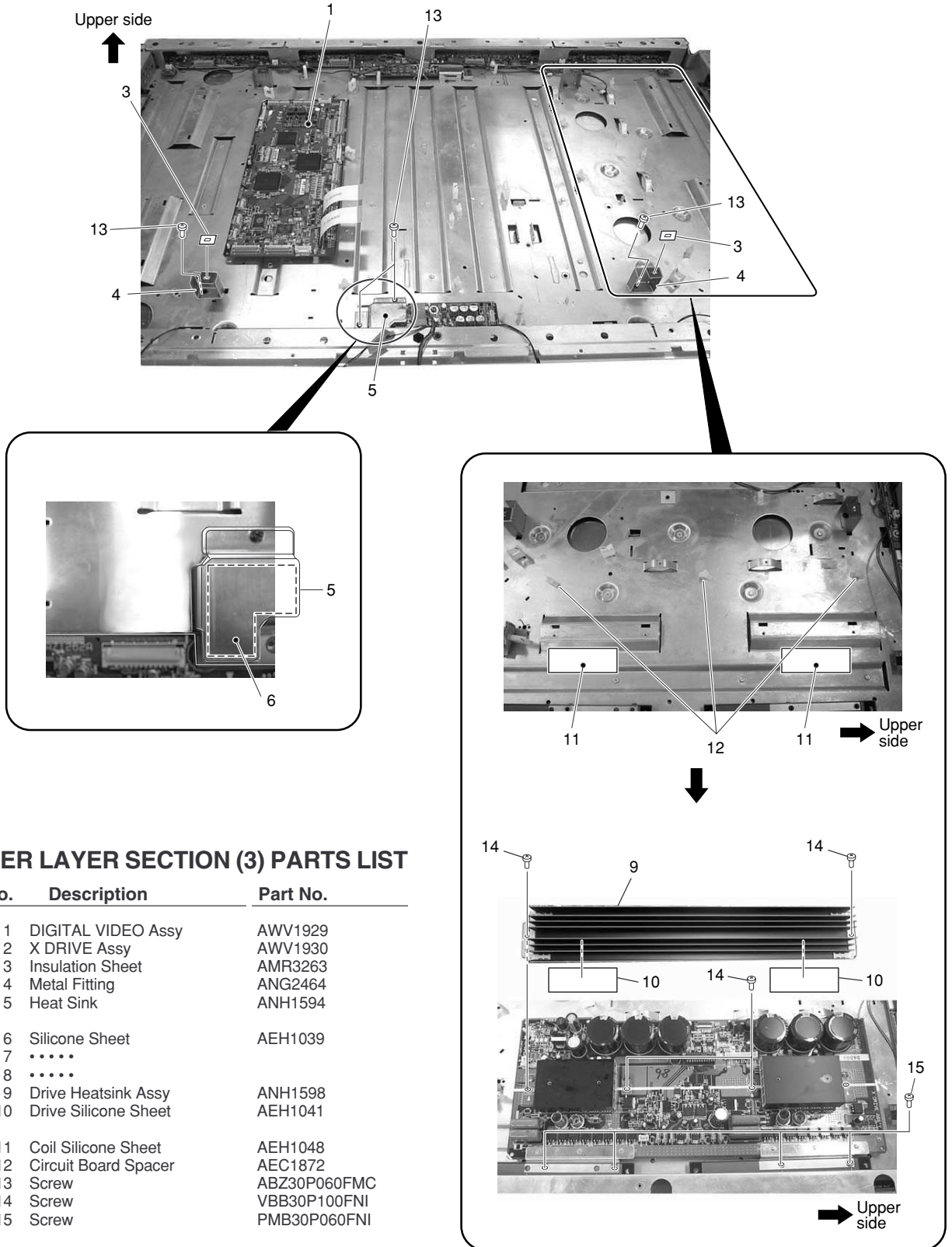
2.3 UNDER LAYER SECTION (2)



● UNDER LAYER SECTION (2) PARTS LIST

Mark	No.	Description	Part No.
NSP	1	CLAMP A Assy	AWZ6668
NSP	2	CLAMP B Assy	AWZ6669
	3	Wire Saddle	AEC1904
	4	Locking Card Spacer	AEC1736
	5	Screw	ABA1301

2.4 UNDER LAYER SECTION (3)

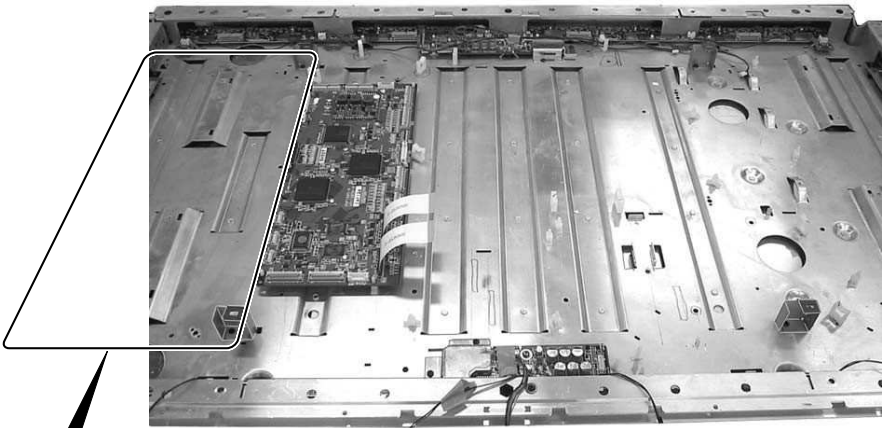


● UNDER LAYER SECTION (3) PARTS LIST

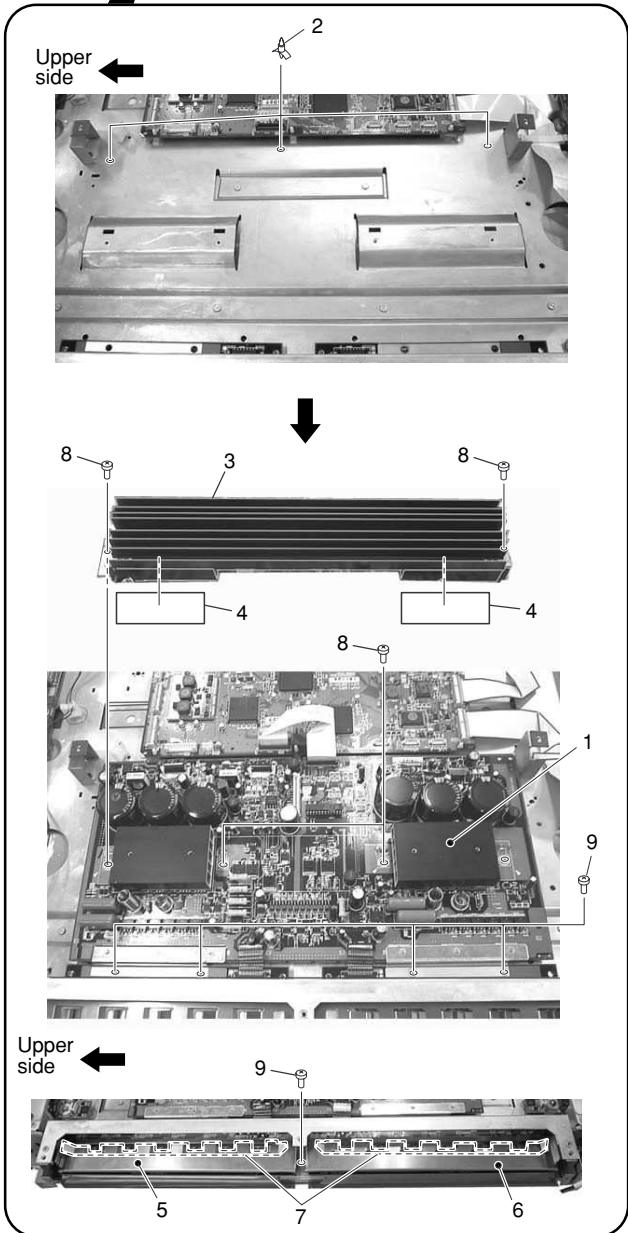
Mark	No.	Description	Part No.
	1	DIGITAL VIDEO Assy	AWV1929
	2	X DRIVE Assy	AWV1930
	3	Insulation Sheet	AMR3263
	4	Metal Fitting	ANG2464
	5	Heat Sink	ANH1594
	6	Silicone Sheet	AEH1039
	7	
	8	
	9	Drive Heatsink Assy	ANH1598
	10	Drive Silicone Sheet	AEH1041
	11	Coil Silicone Sheet	AEH1048
	12	Circuit Board Spacer	AEC1872
	13	Screw	ABZ30P060FMC
	14	Screw	VBB30P100FNI
	15	Screw	PMB30P060FNI

PDP-433PE, PDP-433PU

2.5 UNDER LAYER SECTION (4)



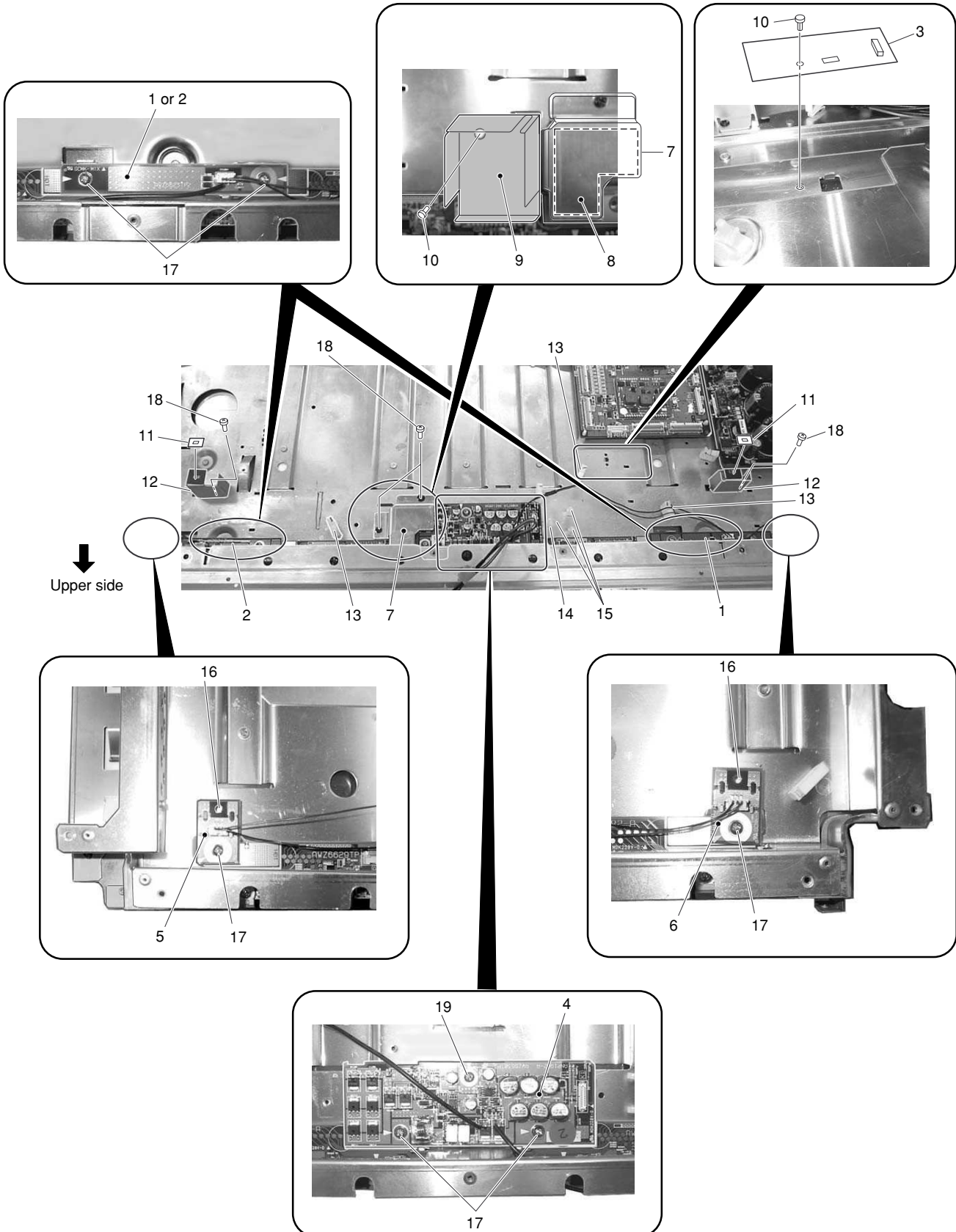
Upper side
↑



● UNDER LAYER SECTION (4) PARTS LIST

<u>Mark</u>	<u>No.</u>	<u>Description</u>	<u>Part No.</u>
	1	Y DRIVE Assy	AWZ6683
	2	Circuit Board Spacer	AEC1872
	3	Drive Heatsink Assy	ANH1598
	4	Drive Silicone Sheet	AEH1041
	5	Scan IC Spring (43L)	ABK1029
	6	Scan IC Spring (43R)	ABK1030
	7	Scan Insulation Sheet (43)	AMR3287
	8	Screw	VBB30P100FNI
	9	Screw	PMB30P060FNI

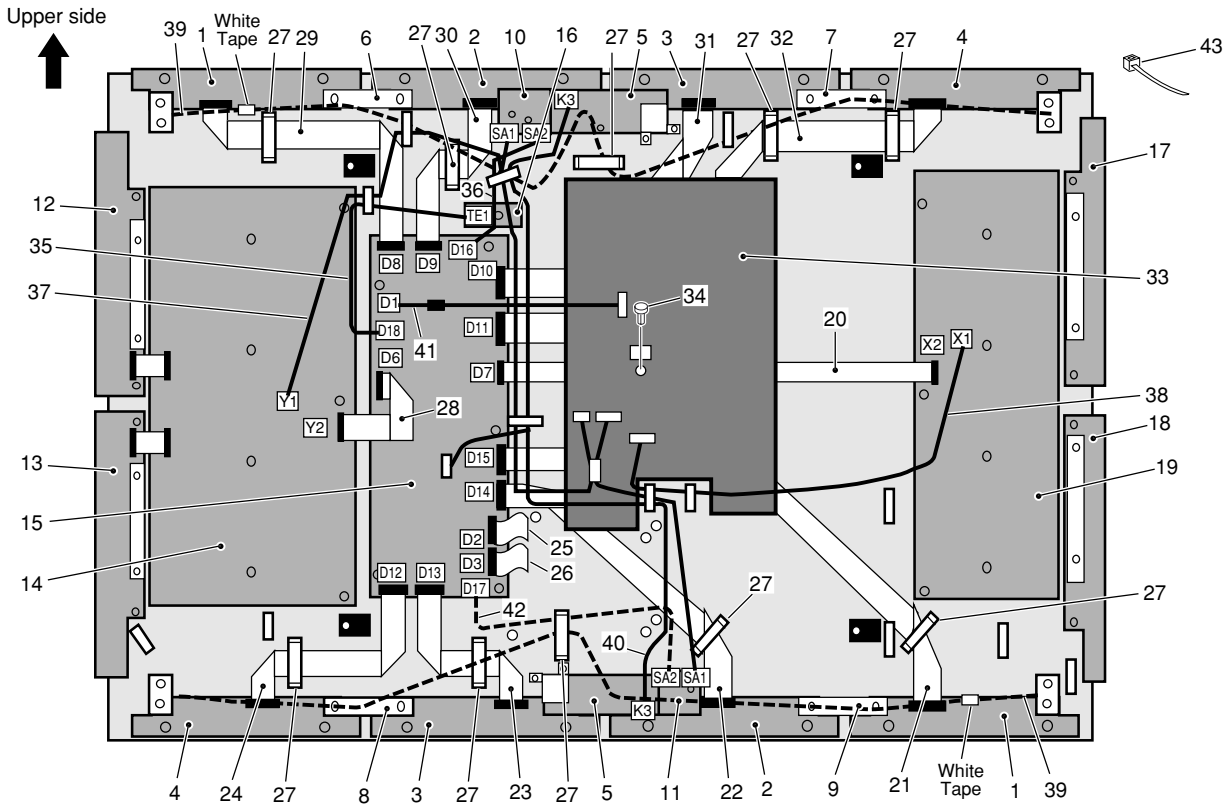
2.6 UNDER LAYER SECTION (5)



● UNDER LAYER SECTION (5) PARTS LIST

Mark	No.	Description	Part No.	Mark	No.	Description	Part No.
NSP	1	BRIDGE A Assy	AWZ6674		11	Insulation Sheet	AMR3263
NSP	2	BRIDGE B Assy	AWZ6675		12	Metal Fitting	ANG2464
	3	THERMAL SENSOR Assy	AWZ6660		13	Wire Saddle	AEC1904
	4	ADR RESONANCE Assy	AWZ6682		14	PCB Spacer	AEC1253
NSP	5	CLAMP A Assy	AWZ6668		15	Circuit Board Spacer	AEC1873
NSP	6	CLAMP B Assy	AWZ6669		16	Locking Card Spacer	AEC1736
	7	Heat Sink	ANH1594		17	Screw	ABA1301
	8	Silicone Sheet	AEH1039		18	Screw	ABZ30P060FMC
	9	FFC Holder	AMR3302		19	Screw	VBB30P100FNI
	10	Rivet	BEC1066				

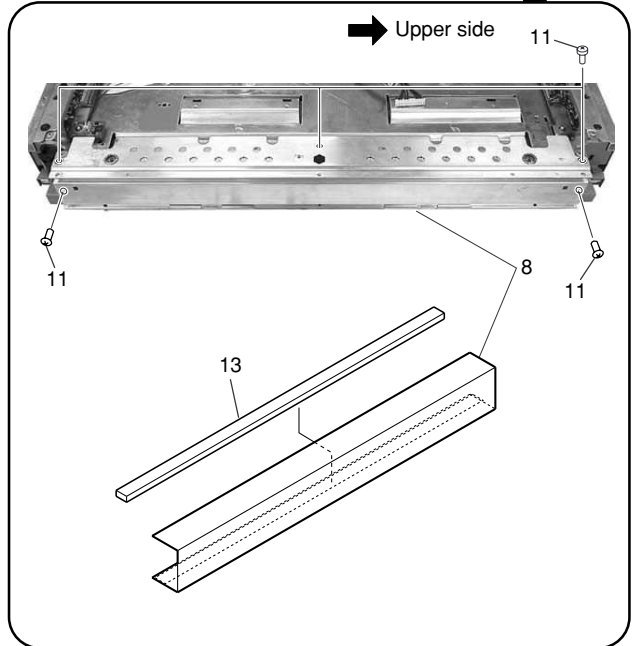
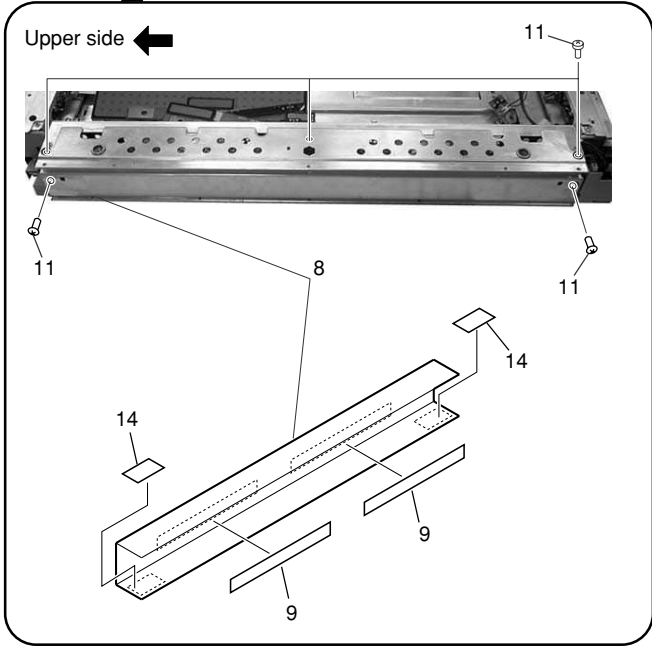
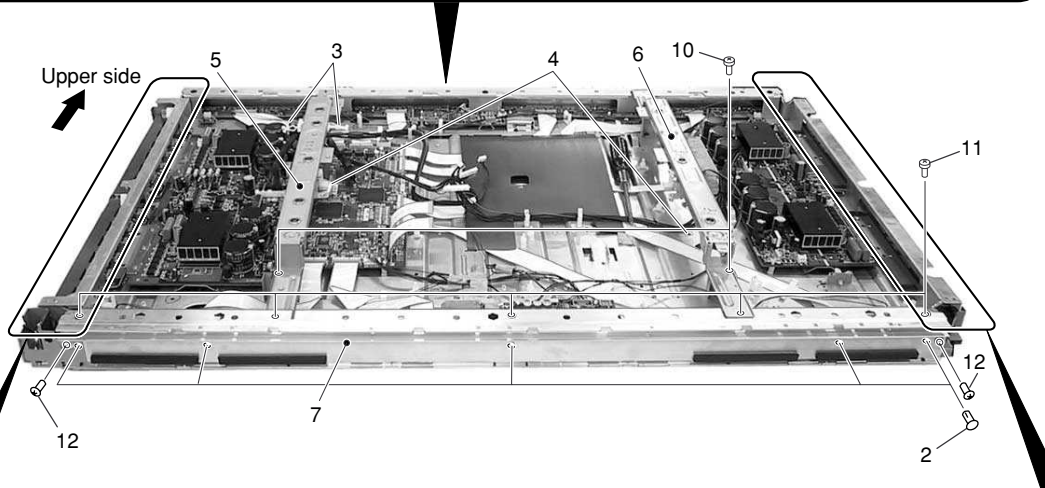
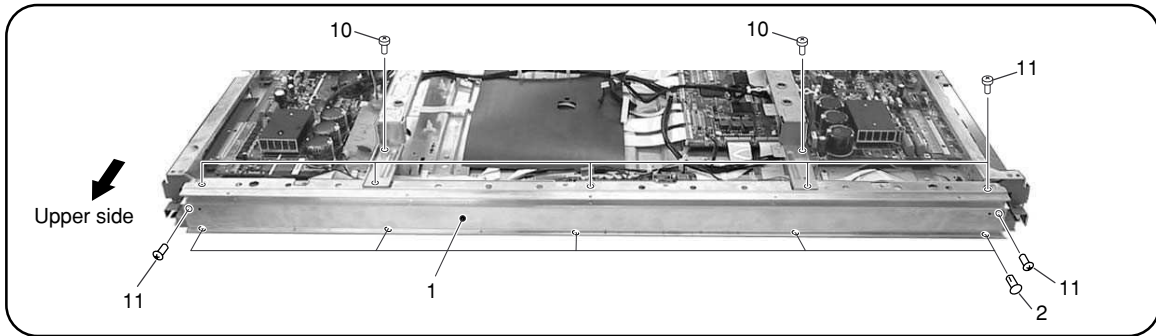
2.7 UNDER LAYER SECTION (6)



● UNDER LAYER SECTION (6) PARTS LIST

Mark	No.	Description	Part No.	Mark	No.	Description	Part No.
NSP	1	ADR CONNECT A Assy	AWZ6678	26	J202	Flexible Flat Cable	ADD1194
NSP	2	ADR CONNECT B Assy	AWZ6679	27		Flat Clamp	AEC1879
NSP	3	ADR CONNECT C Assy	AWZ6680	28	J203	Flexible Flat Cable	ADD1198
NSP	4	ADR CONNECT D Assy	AWZ6681	29	J205	Flexible Flat Cable	ADD1202
	5	ADR RESONANCE Assy	AWZ6682	30	J206	Flexible Flat Cable	ADD1200
NSP	6	BRIDGE A Assy	AWZ6674	31	J207	Flexible Flat Cable	ADD1208
NSP	7	BRIDGE B Assy	AWZ6675	32	J208	Flexible Flat Cable	ADD1205
NSP	8	BRIDGE C Assy	AWZ6676	33		Power Sheet (43)	AMR3284
NSP	9	BRIDGE D Assy	AWZ6677	34		Rivet	BEC1066
	10	SUB ADDRESS A Assy	AWZ6692	35	J110	3P Housing Wire	ADX2741
	11	SUB ADDRESS B Assy	AWZ6693	36	J108	8P Housing Wire	ADX2740
NSP	12	SCAN (A) Assy	AWZ6666	37		Wire PE	ADX2738
NSP	13	SCAN (B) Assy	AWZ6667	38	J103	13P Housing Wire	ADX2766
	14	Y DRIVE Assy	AWZ6683	39	J116,J117	4P Housing Wire	ADX2767
	15	DIGITAL VIDEO Assy	AWV1929	40	J120	Wire L	ADX2763
	16	THERMAL SENSOR Assy	AWZ6660	41	J101	13P Housing Wire	ADX2768
NSP	17	X CONNECTOR (A) Assy	AWZ6672	42	J109	8P Housing Wire	ADX2743
NSP	18	X CONNECTOR (B) Assy	AWZ6673	43		Nylon Binder	AEC-093
	19	X DRIVE Assy	AWV1930				
	20	J204 Flexible Flat Cable	ADD1207				
	21	J209 Flexible Flat Cable	ADD1206				
	22	J210 Flexible Flat Cable	ADD1204				
	23	J211 Flexible Flat Cable	ADD1199				
	24	J212 Flexible Flat Cable	ADD1201				
	25	J201 Flexible Flat Cable	ADD1194				

2.8 MIDDLE LAYER SECTION (1)

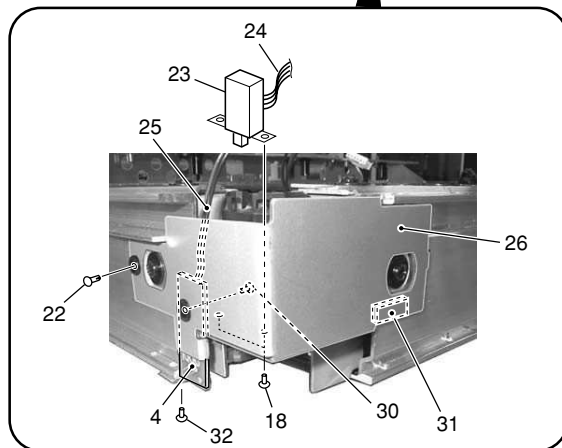
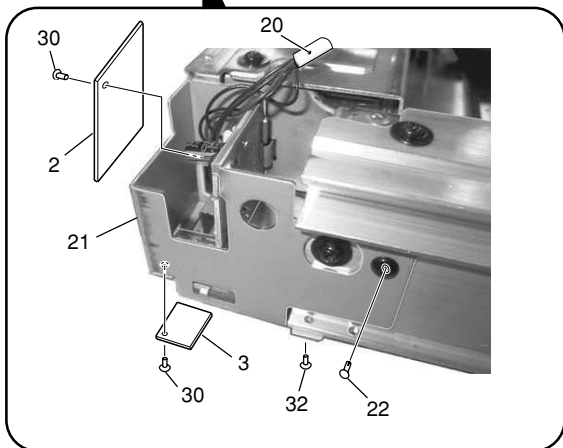
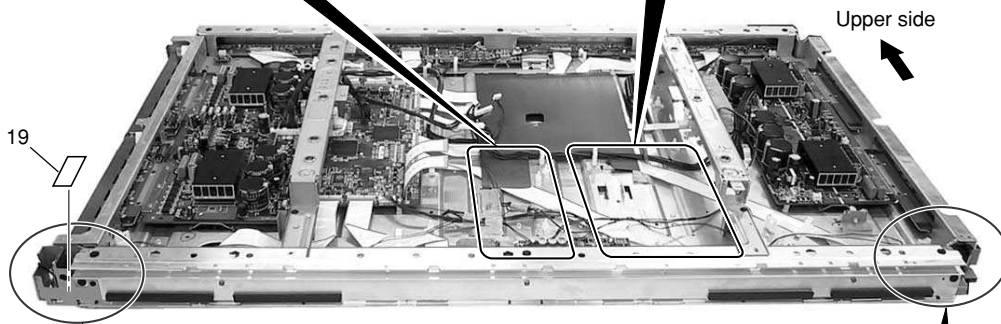
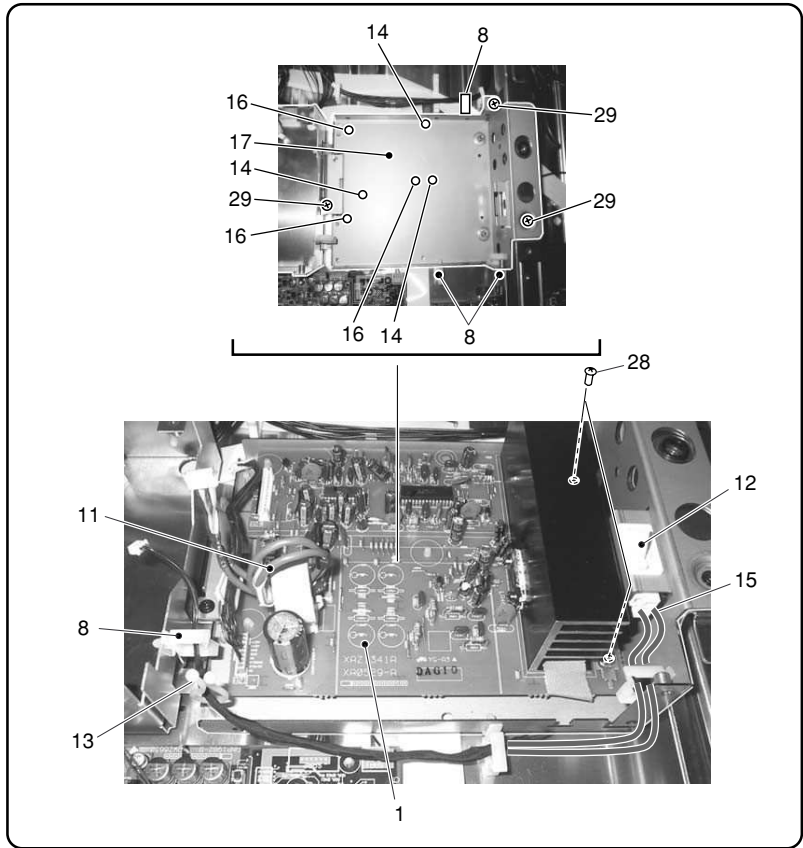
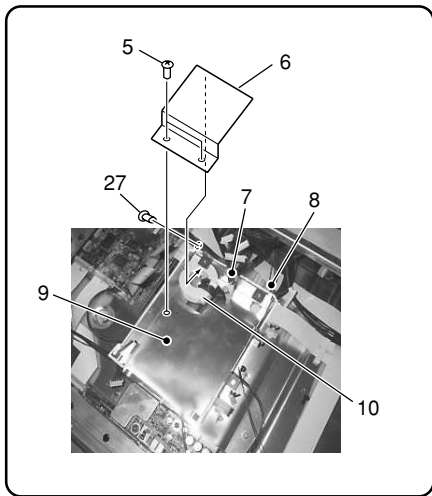


● MIDDLE LAYER SECTION (1) PARTS LIST

Mark	No.	Description	Part No.
NSP	1	Front Chassis HU (43)	ANA1670
NSP	2	Card Spacer	AEC1902
	3	Niplocker	AEC1803
	4	Card Corner Holder	BEC1144
NSP	5	Sub Frame L	ANG2483
NSP	6	Sub Frame R	ANG2484
NSP	7	Front Chassis HL (43)	ANA1671
NSP	8	Front Chassis V (43)	ANA1672
	9	FPC Cushion (43)	AEB1371
	10	Screw	ABA1283
	11	Screw	ABA1294
	12	Screw	BMZ30P060FMC
	13	VR Cushion	AEB1374
	14	V Cushion	AED1205

PDP-433PE, PDP-433PU

2.9 MIDDLE LAYER SECTION (2)

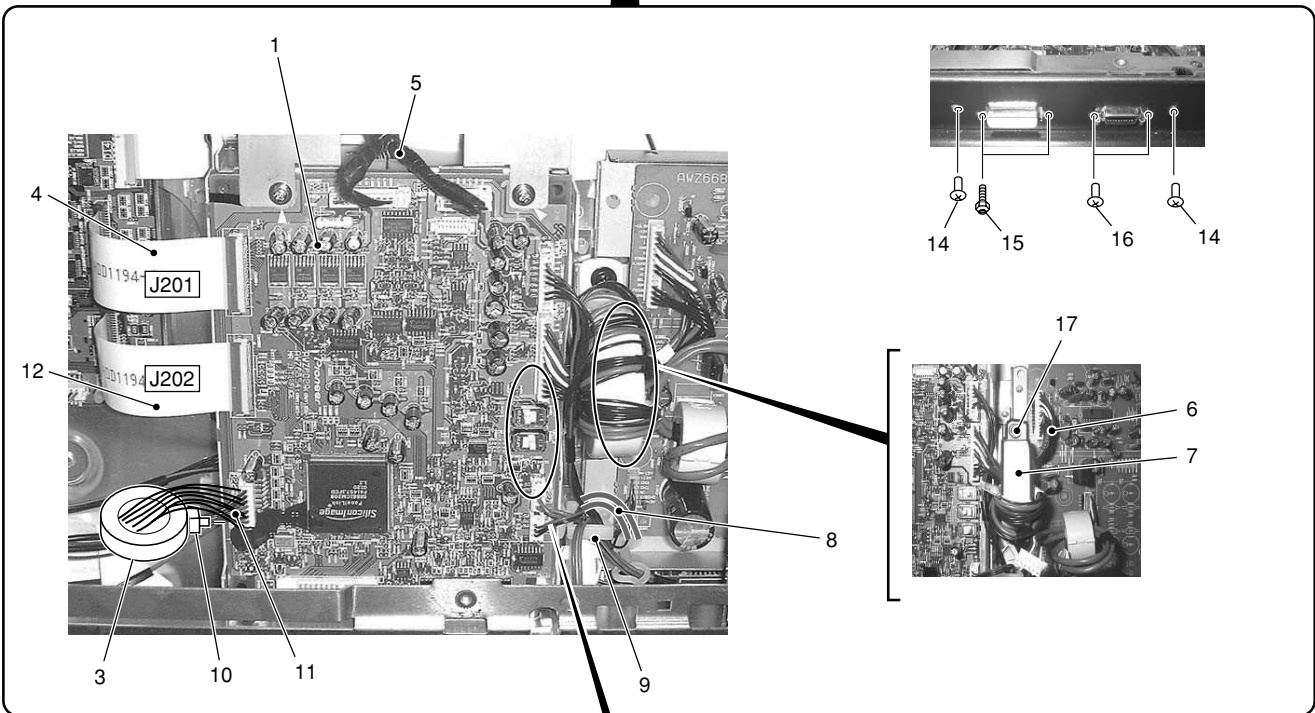
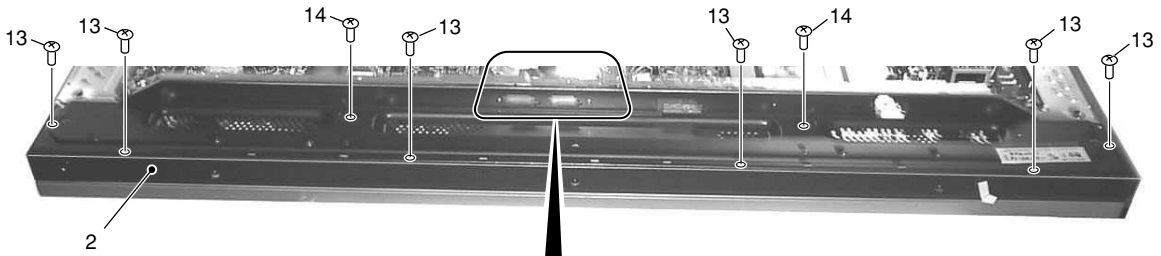


● MIDDLE LAYER SECTION (2) PARTS LIST

Mark	No.	Description	Part No.	Mark	No.	Description	Part No.
	1	AUDIO AMP Assy	AWZ6687		16	Spacer	AEC1360
	2	FRONT KEY CONN Assy	AWZ6657		17	Audio Base	ANA1687
	3	IR (P) Assy	AWZ6658		18	Screw	BMZ30P060FZK
	4	LED Assy	AWZ6655		19	V Cushion	AED1205
	5	Nylon Rivet	AEP-211		20	J113 Wire PJ	ADX2742
	6	IF Sheet	AMR3298	NSP	21	IR Holder	ANG2494
	7	Edge Saddle	AEC1571		22	Nylon Rivet	AEC1671
	8	Wire Saddle	AEC1745	△	23	S1 Power Switch	ASG1082
	9	IF Shield	ANA1675		24	J106 Wire PC	ADY2745
	10	L2 Toroidal Core	ATX1042		25	J104 3P Housing Wire	ADX2748
	11	J214 3P Housing Wire	ADX2735	NSP	26	Switch Holder	ANG2493
	12	S2 Power Switch	ASG1089		27	Screw	ABA1294
	13	Niplocker	BEC1136		28	Screw	PMB30P060FNI
	14	PCB Spacer	AEC1570		29	Screw	AMZ30P060FZK
	15	J215 3P Housing Wire	ADX2757		30	Screw	BMZ30P040FMC
					31	Gascket R	ANK1695
					32	Screw	ABZ30P050FZK

PDP-433PE, PDP-433PU

2.10 UPPER LAYER SECTION (1)



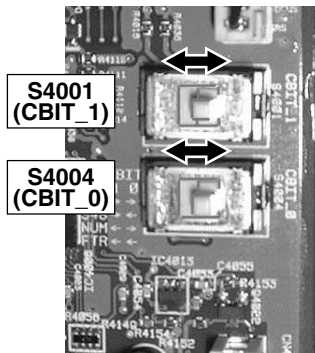
■ Caution in the MR INTERFACE Assy Replacement

Set the slide switches in accordance with applicable model when replacing the MR INTERFACE Assy.

	S4001 CBIT_1	S4004 CBIT_0
PDP-4333P	→	→
PDP-433PE	←	→
PDP-433PU	→	→

Note 1: When there is not S4004, set only S4001.

Note 2: When there are not S4001 and S4004, setting is unnecessary.

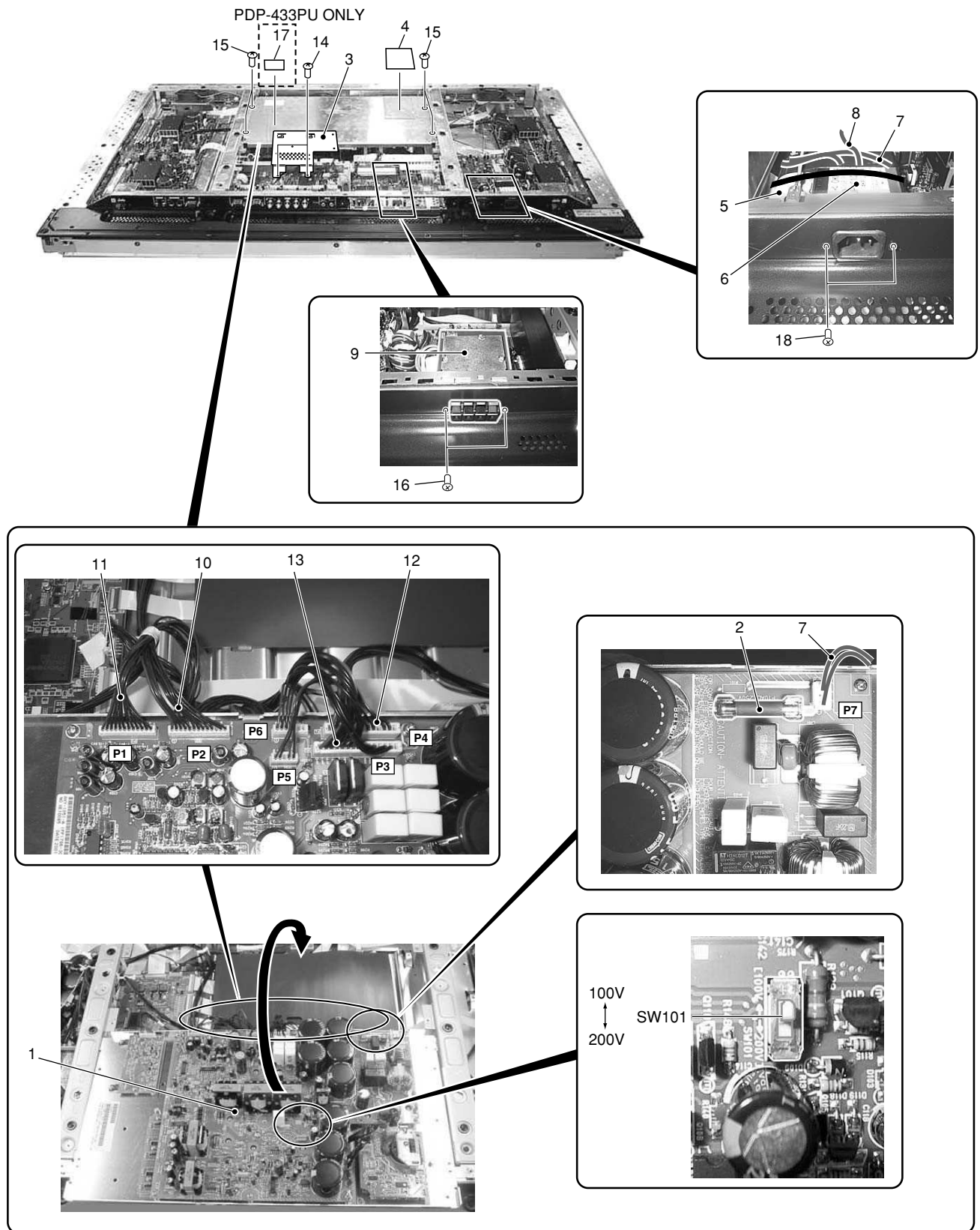


● UPPER LAYER SECTION (1) PARTS LIST

Mark	No.	Description	Part No.
	1	MR INTERFACE Assy	AWZ6654
	2	Terminal Panel (HD)	ANG2485
	3	L6 Ferrite Core	ATX1037
	4	J201 Flexible Flat Cable	ADD1194
	5	J118 Wire P	ADX2765
	6	J111 14P Housing Wire	ADX2730
	7	L3 Toroidal Core	ATX1042
	8	J214 3P Housing Wire	ADX2735
	9	J104 3P Housing Wire	ADX2748
	10	Ferrite Core Holder	AEC1818
	11	J113 Wire PJ	ADX2742
	12	J202 Flexible Flat Cable	ADD1194
	13	Screw	TBZ40P080FZK
	14	Screw	AMZ30P060FZK
	15	Screw	BBA1051
	16	Screw	PMZ26P030FZK
	17	Screw	ABA1294

PDP-433PE, PDP-433PU

2.11 UPPER LAYER SECTION (2)



(1) UPPER LAYER SECTION (2) PARTS LIST

Mark	No.	Description	Part No.
△	1	SW Power Supply Module	AXY1056
△	2	FU1 Fuse (10A)	See Contrast table (2)
	3	IF Earth Metal	ANA1690
	4	Silicone Sheet P	AEH1035
△	5	L1 Ferrite Core	ATX1032
△	6	CN1 AC Inlet with Filter	AKP1223
	7	J105 Wire PB	ADX2744
	8	J114 Earth Wire	ADX2709
	9	SP TERMINAL Assy	AWZ6688
	10	J101 13P Housing Wire	ADX2768
	11	J118 Wire P	ADX2765
	12	J103 13P Housing Wire	ADX2766
	13	J102 Wire PE	ADX2738
	14	Screw	PMB30P060FNI
	15	Screw	AMZ30P060FZK
	16	Screw	BPZ30P080FZK
	17	Solder Warning Label	See Contrast table (2)
	18	Screw	BMZ30P060FZK

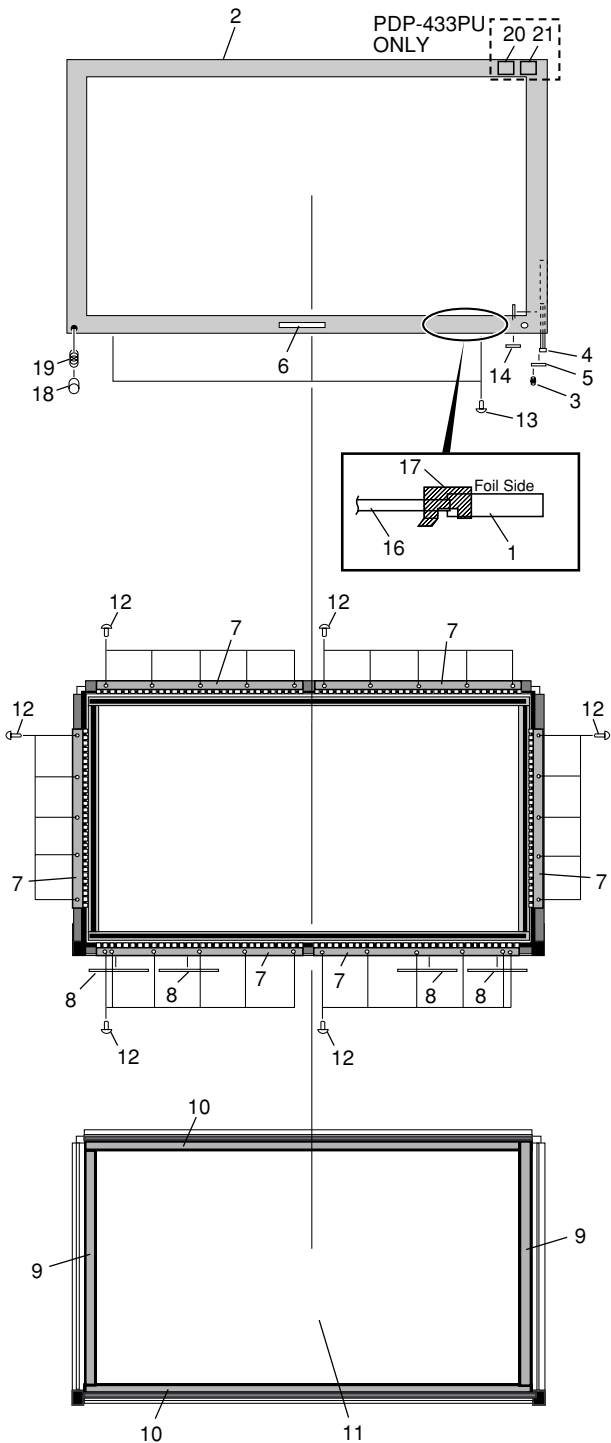
(2) CONTRAST TABLE

PDP-433PE/WYVI6 and PDP-433PU/KUC are constructed the same except for the following :

Mark	No.	Symbol and Description	Part No.		Remarks
			PDP-433PE /WYVI6	PDP-433PU /KUC	
△	2	FU1 Fuse (10A/400V)	AEK1071	Not used	
△	2	FU1 Fuse (10A/125V)	Not used	AEK1069	
	17	Solder Warning Label	Not used	AAX2644	

PDP-433PE, PDP-433PU

2.12 FRONT CASE SECTION



(1) FRONT CASE SECTION PARTS LIST

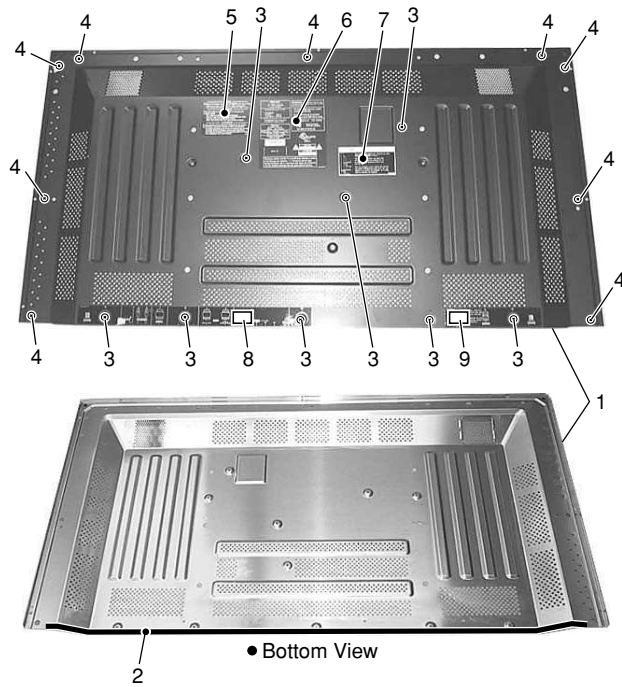
Mark	No.	Description	Part No.
	1	FRONT KEY Assy	AWZ6656
	2	Front Case Assy 43 (P)	AMB2725
	3	Rivet	AEC1877
△	4	L5 Ferrite Core	ATX1043
	5	Lead Cover (P)	AMB2704
	6	Pioneer Badge	AAM1091
NSP	7	Panel Holder (43)	ANG2487
	8	Spacer	AEC1896
	9	Panel Cushion V (43)	AED1201
	10	Panel Cushion H (43)	AED1200
	11	Protect Panel Assy (43)	AMR3303
	12	Screw	ABZ30P050FZK
	13	Screw	VMZ30P060FZK
	14	Serial Sheet	AAX2609
	15	
NSP	16	J213 Flexible Flat Cable	ADD1193
	17	Flexible Seal (P)	AEH1052
	18	Power Button	AAD4113
	19	Coil Spring	ABH1108
	20	Energy Star Label	See Contrast table (2)
	21	HDTV Label	See Contrast table (2)

(2) CONTRAST TABLE

PDP-433PE/WYVI6 and PDP-433PU/KUC are constructed the same except for the following :

Mark	No.	Symbol and Description	Part No.		Remarks
			PDP-433PE /WYVI6	PDP-433PU /KUC	
	20	Energy Star Label	Not used	AAX2865	
	21	HDTV Label	Not used	AAX2891	

2.13 REAR SECTION



(1) REAR SECTION PARTS LIST

Mark	No.	Description	Part No.
	1	Rear Case (P)	ANE1600
	2	Gascket A	ANK1694
	3	Screw	AMZ30P060FZK
	4	Screw	TBZ40P080FZK
	5	Cleaning Label	AAX2751
NSP	6	Name Label	See Contrast table (2)
	7	Bolt Caution Label	AAX2852
	8	Terminal Display Label P	AAX2858
	9	Terminal Display Label L (E)	See Contrast table (2)

(2) CONTRAST TABLE

PDP-433PE/WYVI6 and PDP-433PU/KUC are constructed the same except for the following :

Mark	No.	Symbol and Description	Part No.		Remarks
			PDP-433PE /WYVI6	PDP-433PU /KUC	
NSP	6	Name Label	AAL2368	AAL2369	
	9	Terminal Display Label L (E)	AAX2860	Not used	
	9	Terminal Display Label L	Not used	AAX2859	

PDP-433PE, PDP-433PU

2.14 PDP SERVICE ASSY 433 (AWU1043)

PDP Service Assy 433 (AWU1043) consists of the following parts.

● PARTS LIST

Mark	No.	Description	Part No.	Mark	No.	Description	Part No.
		Panel Chassis (43) Assy	AWU1038			Insulation Sheet	AMR3263
NSP		Front Chassis V (43)	ANA1672			Scan Sheet (43)	AMR3287
NSP		Front CHassis HU (43)	ANA1670			Card Corner Holder	BEC1144
NSP		Front Chassis HL	ANA1692			Screw	ABA1283
NSP		Sub Frame L (43)	ANG2483			Screw	ABA1294
NSP		Sub Frame R (43)	ANG2484			Screw	ABZ30P060FMC
		Scan IC Spring (43L)	ABK1029			Screw	BMZ30P060FMC
		Scan IC Spring (43R)	ABK1030			Screw	PMB30P060FNI
NSP		Metal Fitting	ANG2464			Screw	VBB30P100FNI
		FPC Cushion (43)	AEB1371			Bolt	ABA1259
NSP		PCB Spacer	AEC1211			Corner Pad	AHA2293
		Locking Card Spacer	AEC1736			Upper Carton	AHD3139
		Circuit Board Spacer	AEC1872			Under Carton	AHD3140
		Circuit Board Spacer	AEC1873			Packing Sheet	AHG1291
		Spacer	AEC1896			Washer	WB80FZB
NSP		Card Spacer	AEC1902			VR Cushion	AEB1374
		Wire Saddle	AEC1904			Niplocker	AEC1803
		Panel Cushion H (43)	AED1200			Static Plate	AHK1013
		Panel Cushion V (43)	AED1201			Plate	AHK1014
		V Cushion	AED1205			Screw	BYC40P220FMC
						Washer	WC60FZK

2.15 PANEL CHASSIS (43) ASSY (AWU1038)

Panel Chassis (43) Assy (AWU1038) consists of the following parts.

● PARTS LIST

Mark	No.	Description	Part No.
NSP		SCAN FUKUGO ASSY	AWV1927 *
NSP		ADDRESS FUKUGO ASSY	AWV1928 *
NSP		Address Module (IC1 - IC32)	AXF1110
NSP		FPC (J1,J2)	ADY1079
NSP		FPC (J3,J4)	ADY1080
NSP		Chassis Assy (43)	ANA1693
NSP		—Chassis (43)	ANA1668
NSP		—Base Chassis (43)	ANA1669
NSP		—Scan Heatsink (43)	ANH1601
NSP		—Corner Angle A	ANG2457
NSP		—Corner Angle B	ANG2458
NSP		—Tube Cover	AMR3262
		—Silicone Sheet 43	AEH1043
		—Adhesive Tape 43	AEH1044
		—Adhesive Tape B 43	AEH1054
		—Panel Silicone Sheet	AEH1055
		—Silicone Sheet B 43	AEH1056
		Pin Grommet	AEC1015
		Card Spacer	AEC1889
		Scan Silicone Sheet (43)	AEH1047
NSP		Plasma Panel Assy (43)	AAV1239
		Screw	VBB30P100FNI

● LIST OF ASSY

Mark	No.	Description	Part No.
NSP		SCAN FUKUGO ASSY	AWV1927
NSP		— SCAN (A) ASSY	AWZ6666
NSP		— SCAN (B) ASSY	AWZ6667
NSP		— X CONNECTOR (A) ASSY	AWZ6672
NSP		— X CONNECTOR (B) ASSY	AWZ6673
NSP		— BRIDGE A ASSY	AWZ6674
NSP		— BRIDGE B ASSY	AWZ6675
NSP		— BRIDGE C ASSY	AWZ6676
NSP		— BRIDGE D ASSY	AWZ6677
		ADDRESS FUKUGO ASSY	AWV1928
NSP		— CLAMP A Assy	AWZ6668
NSP		— CLAMP B Assy	AWZ6669
NSP		— ADR CONNECT A ASSY	AWZ6678
NSP		— ADR CONNECT B ASSY	AWZ6679
NSP		— ADR CONNECT C ASSY	AWZ6680
NSP		— ADR CONNECT D ASSY	AWZ6681
		— ADR RESONANCE ASSY	AWZ6682