
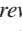
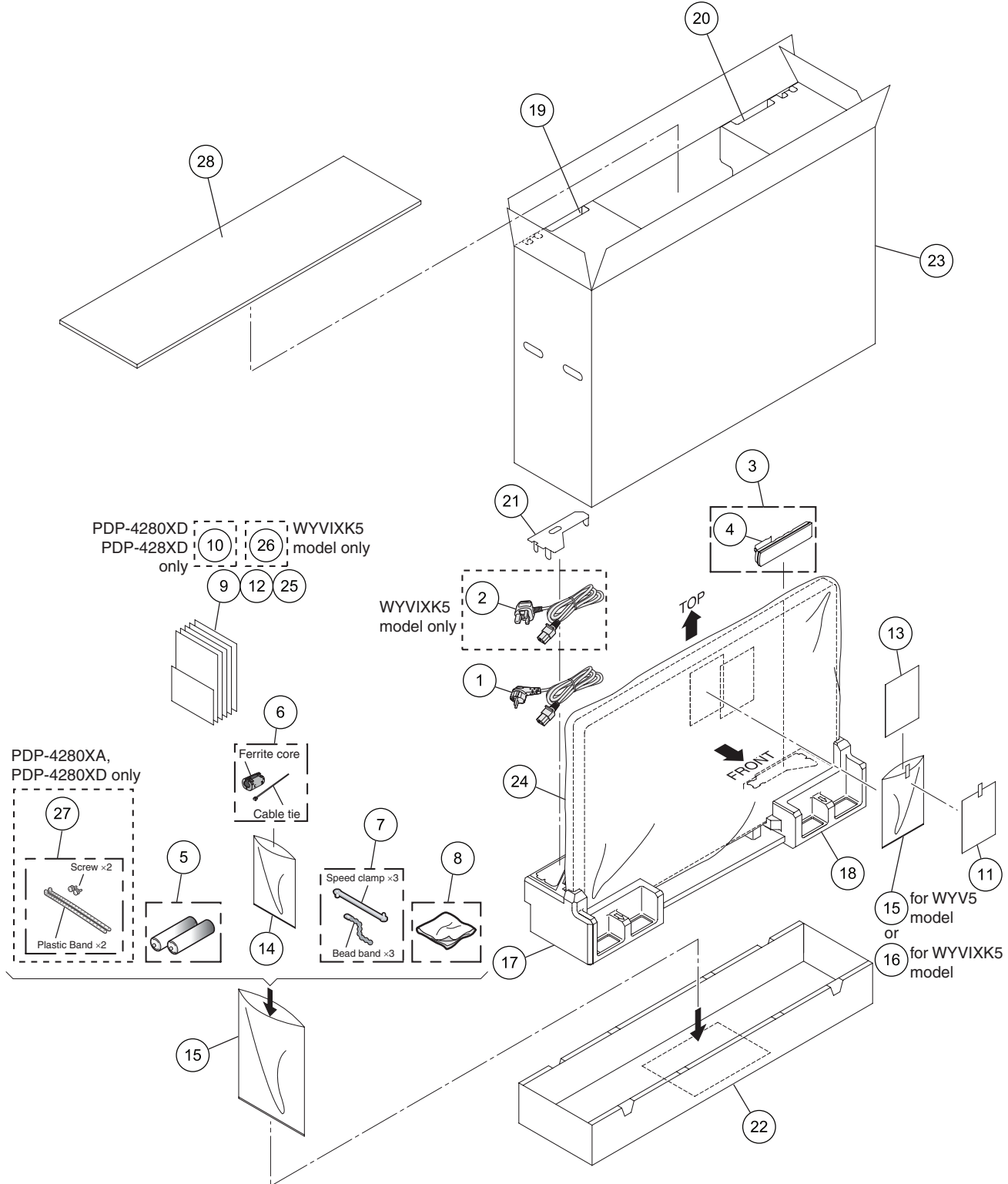


10. EXPLODED VIEWS AND PARTS LIST

- NOTES:**
- Parts marked by "NSP" are generally unavailable because they are not in our Master Spare Parts List.
 - The  mark found on some component parts indicates the importance of the safety factor of the part. Therefore, when replacing, be sure to use parts of identical designation.
 - Screws adjacent to  mark on product are used for disassembly.
 - For the applying amount of lubricants or glue, follow the instructions in this manual. (In the case of no amount instructions, apply as you think it appropriate.)

10.1 PACKING SECTION



(1) PACKING SECTION PARTS LIST

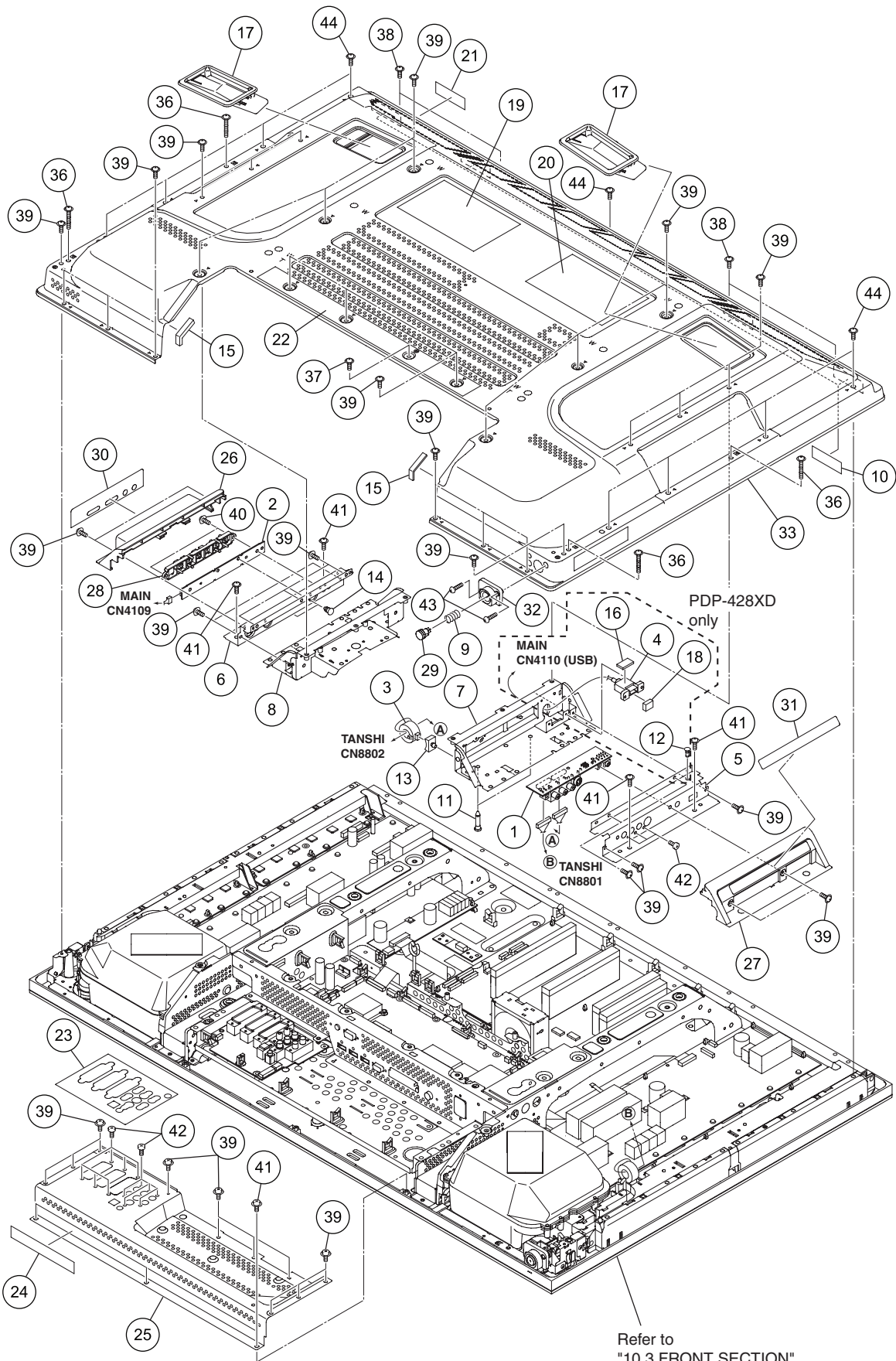
<u>Mark No.</u>	<u>Description</u>	<u>Part No.</u>	<u>Mark No.</u>	<u>Description</u>	<u>Part No.</u>
⚠ 1	Power Cord (2 m)	ADG1214	14	Polyethylene Bag	AHG1337
⚠ 2	Power Cord (2 m)	See Contrast table (2)	NSP 15	Catalogue Bag	AHG1340
3	Remote Control Unit	See Contrast table (2)	16	Polyethylene Bag	See Contrast table (2)
4	Battery Cover	See Contrast table (2)	17	Pad (428 B-L)	See Contrast table (2)
NSP 5	Dry Cell Battery (R06, AA)	VEM1031	18	Pad (428 B-R)	See Contrast table (2)
⚠ 6	Ferrite Core (L5321)	ATX1039	19	Pad (428 T-L)	See Contrast table (2)
7	Binder Assy	AEC1908	20	Pad (428 T-R)	See Contrast table (2)
8	Cleaning Cloth	AED1285	21	Power Cord Lid	See Contrast table (2)
9	Operating Instructions (English, French, German)	See Contrast table (2)	22	Under Carton	See Contrast table (2)
			23	Upper Carton	See Contrast table (2)
10	Operating Instructions (Italian, Spanish, Dutch)	See Contrast table (2)	24	Mirror Mat	See Contrast table (2)
11	Caution Card	See Contrast table (2)	25	After Image Caution	See Contrast table (2)
12	Cleaning Caution	See Contrast table (2)	26	Block Diagram	See Contrast table (2)
NSP 13	Warranty Card	ARY1114	27	Band Assy	See Contrast table (2)
			28	Carton Board	See Contrast table (2)

(2) CONTRAST TABLE

PDP-4280XA/WYV5, WYVIXK5, PDP-4280XD/WYV5, WYVIXK5, PDP-428XD/WYV5 and WYVIXK5 are constructed the same except for the following:

<u>Mark</u>	<u>No.</u>	<u>Symbol and Description</u>	<u>PDP-4280XA /WYV5</u>	<u>PDP-4280XA /WYVIXK5</u>	<u>PDP-4280XD /WYV5</u>	<u>PDP-4280XD /WYVIXK5</u>	<u>PDP-428XD /WYV5</u>	<u>PDP-428XD /WYVIXK5</u>
⚠	2	Power Cord (2 m)	Not used	ADG1223	Not used	ADG1223	Not used	ADG1223
	3	Remote Control Unit	AXD1553	AXD1553	AXD1552	AXD1552	AXD1551	AXD1551
	4	Battery Cover	AZA7424	AZA7424	AZA7424	AZA7424	AZN2626	AZN2626
	9	Operating Instructions (English, French, German)	ARE1478	ARE1477	ARE1485	ARE1476	ARE1484	ARE1475
	10	Operating Instructions (Italian, Spanish, Dutch)	Not used	Not used	ARC1602	ARC1587	ARC1601	ARC1586
	11	Caution Card	ARM1232	ARM1310	ARM1232	ARM1310	ARM1232	ARM1310
	12	Cleaning Caution	ARM1283	ARM1311	ARM1283	ARM1311	ARM1283	ARM1311
	16	Polyethylene Bag	Not used	AHG1326	Not used	AHG1326	Not used	AHG1326
	17	Pad (B-L)	AHA2668	AHA2600	AHA2668	AHA2600	AHA2668	AHA2600
	18	Pad (B-R)	AHA2669	AHA2601	AHA2669	AHA2601	AHA2669	AHA2601
	19	Pad (T-L)	AHA2670	AHA2554	AHA2670	AHA2554	AHA2670	AHA2554
	20	Pad (T-R)	AHA2671	AHA2555	AHA2671	AHA2555	AHA2671	AHA2555
	21	Power Cord Lid	AHC1085	AHC1087	AHC1085	AHC1087	AHC1085	AHC1087
	22	Under Carton (428)	AHD3586	Not used	AHD3586	Not used	AHD3586	Not used
	22	Under Carton (427)	Not used	AHD3496	Not used	AHD3496	Not used	AHD3496
	23	Upper Carton (4280XA)	AHD3595	AHD3618	Not used	Not used	Not used	Not used
	23	Upper Carton (4280XD)	Not used	Not used	AHD3643	AHD3594	Not used	Not used
	23	Upper Carton (428XD)	Not used	Not used	Not used	Not used	AHD3647	AHD3593
	24	Mirror Mat	AHG1284	AHG1327	AHG1284	AHG1327	AHG1284	AHG1327
	25	After Image Caution	ARM1350	ARM1349	ARM1350	ARM1349	ARM1350	ARM1349
	26	Block Diagram	Not used	ARY1202	Not used	ARY1202	Not used	ARY1202
	27	Band Assy	AXY1192	AXY1192	AXY1192	AXY1192	Not used	Not used
	28	Carton Board	AHB1297	Not used	AHB1297	Not used	AHB1297	Not used

10.2 REAR SECTION



(1) REAR SECTION PARTS LIST

<u>Mark No.</u>	<u>Description</u>	<u>Part No.</u>	<u>Mark No.</u>	<u>Description</u>	<u>Part No.</u>
1	SIDE IO Assy	AWW1253	24	Label C	See Contrast table (2)
2	SIDE KEY Assy	AWW1286	25	Terminal Panel B	See Contrast table (2)
3	Ferrite Core (F10)	ATX1060			
4	USB Cable (J301)	See Contrast table (2)	26	Function Button Panel	AMB2906
5	Side Input Panel	See Contrast table (2)	27	Side Input Cover	AMB2911
			28	Function Button (E)	AAC1565
6	Function Button Base	See Contrast table (2)	29	Power Button	AAD4145
7	Side Input Shield	See Contrast table (2)	30	Function Button Sheet (E)	AAK2896
8	Function Button Shield	See Contrast table (2)			
9	Coil Spring	ABH1125	31	Input Cover Label	See Contrast table (2)
10	Rear Case Cushion	AEB1439	32	Power Button Holder	AMR3539
			33	Rear Case (428)	ANE1667
11	Spacer	AEC1288	34	•••••	
12	PCB Spacer	See Contrast table (2)	35	•••••	
13	Ferrite Core Holder	AEC1818			
14	Locking Card Spacer	AEC2019	36	Screw (3 x 40P)	ABA1332
15	Protect Sheet C	AED1300	37	Screw	ABA1341
			38	Screw (4 x 18)	BBZ40P160FTB
16	USB Spacer A	See Contrast table (2)	39	Screw	AMZ30P060FTB
17	Inner Grip Assy	See Contrast table (2)	40	Screw	AMZ30P080FTC
⚠	Gasket (USB)	See Contrast table (2)			
NSP	Name Label	See Contrast table (2)	41	Screw	APZ30P080FTB
20	Bolt Caution Label (E)	AAX3533	42	Screw	BPZ30P080FTB
			43	Screw	BPZ30P140FTB
21	Serial Sheet	AAX3143	44	Screw	TBZ40P080FTB
22	Label A	See Contrast table (2)			
23	Label B	See Contrast table (2)			

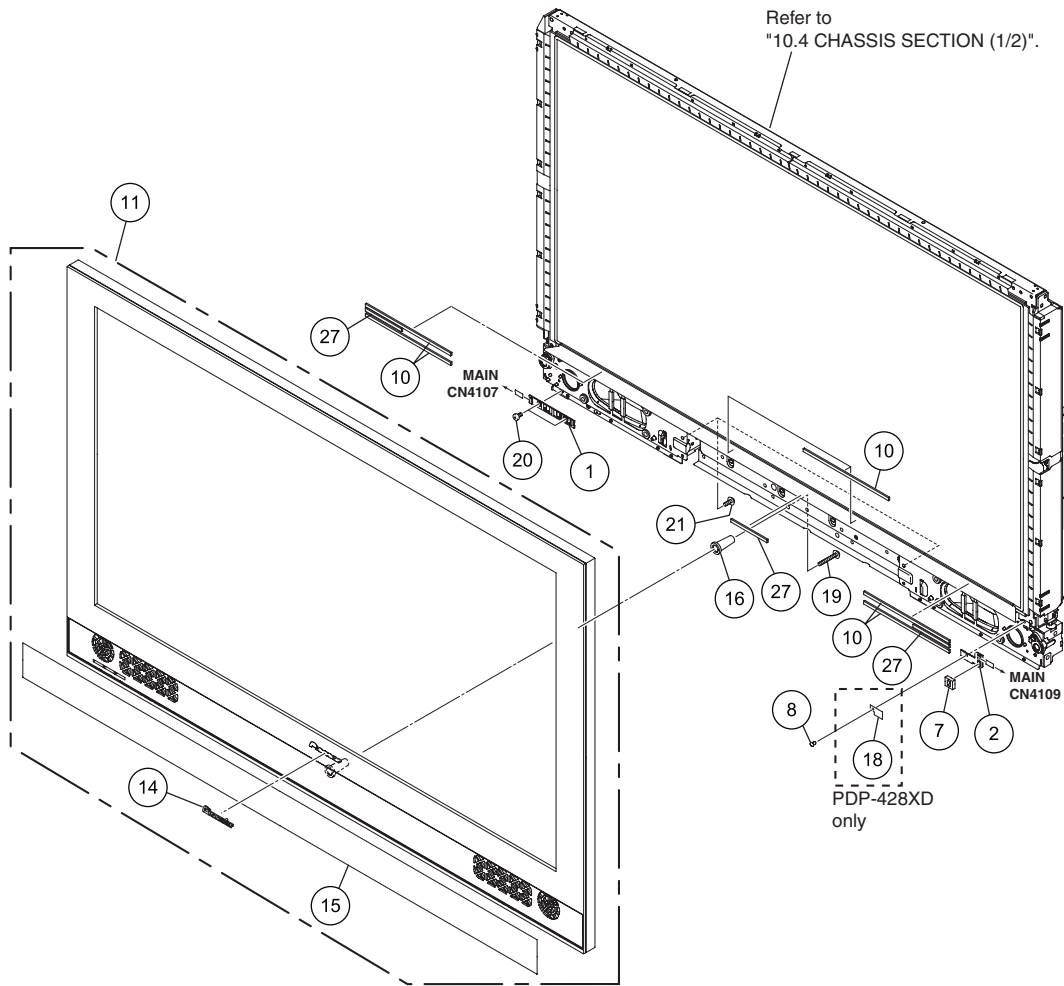
(2) CONTRAST TABLE

PDP-4280XA/WYV5, WYVIXK5, PDP-4280XD/WYV5, WYVIXK5, PDP-428XD/WYV5 and WYVIXK5 are constructed the same except for the following:

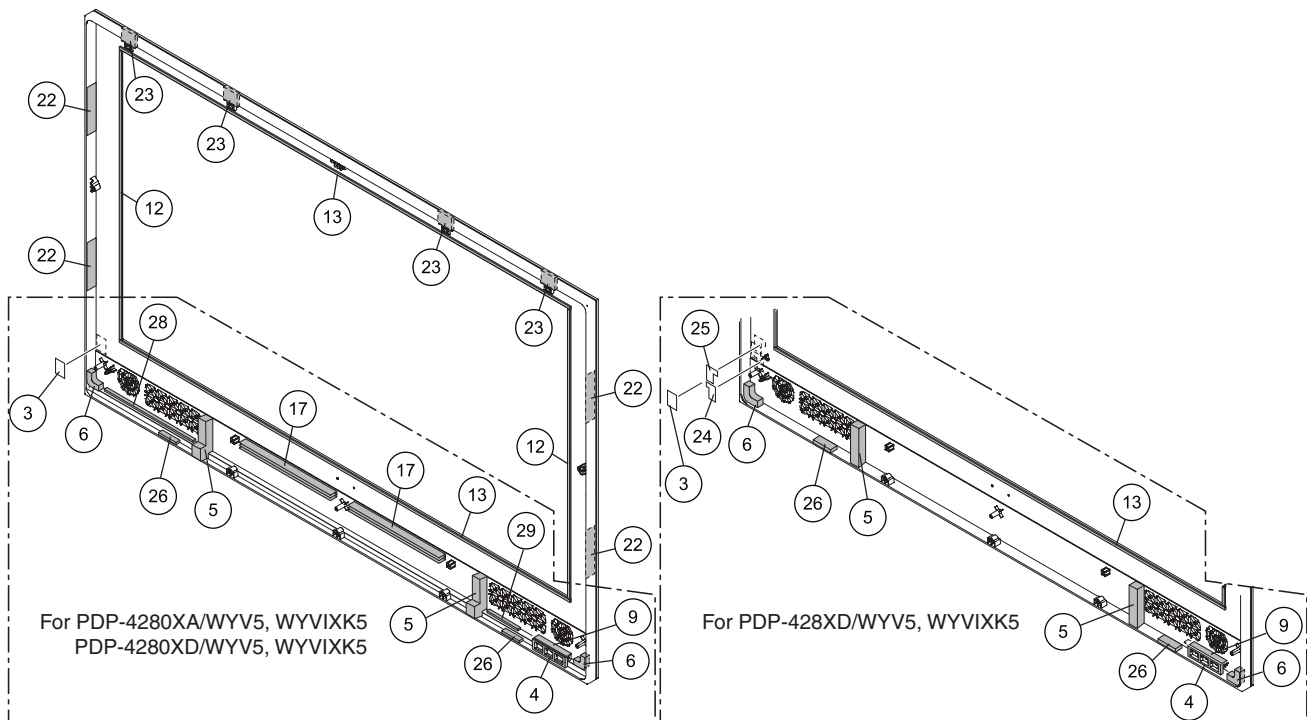
Mark	No.	Symbol and Description	PDP-4280XA /WYV5	PDP-4280XA /WYVIXK5	PDP-4280XD /WYV5	PDP-4280XD /WYVIXK5	PDP-428XD /WYV5	PDP-428XD /WYVIXK5
	4	USB Cable (J301)	Not used	Not used	Not used	Not used	ADF1033	ADF1033
	5	Side Input Panel (8E)	ANC2461	ANC2458	ANC2461	ANC2458	Not used	Not used
	5	Side Input Panel (8ES)	Not used	Not used	Not used	Not used	ANC2460	ANC2459
	6	Function Button Base	ANG2923	ANG3066	ANG2923	ANG3066	ANG2923	ANG3066
	7	Side Input Shield	ANK1834	ANK1938	ANK1834	ANK1938	ANK1834	ANK1938
	8	Function Button Shield	ANK1835	ANK1939	ANK1835	ANK1939	ANK1835	ANK1939
	12	PCB Spacer	Not used	Not used	Not used	Not used	AEC1570	AEC1570
	16	USB Spacer A	Not used	Not used	Not used	Not used	AED1317	AED1317
	17	Inner Grip Assy	AMR3434	AMR3693	AMR3434	AMR3693	AMR3434	AMR3693
⚠	18	Gasket (USB)	Not used	Not used	Not used	Not used	ANK1846	ANK1846
NSP	19	Name Label (4280XA)	AAL2937	AAL2943	Not used	Not used	Not used	Not used
NSP	19	Name Label (4280XD)	Not used	Not used	AAL3002	AAL2939	Not used	Not used
NSP	19	Name Label (428XD)	Not used	Not used	Not used	Not used	AAL3006	AAL2941
	22	Label A (EA)	AAX3479	AAX3479	Not used	Not used	Not used	Not used
	22	Label A (ED)	Not used	Not used	AAX3480	AAX3480	AAX3480	AAX3480
	23	Label B (ERA)	AAX3536	AAX3536	Not used	Not used	Not used	Not used
	23	Label B (ERD)	Not used	Not used	AAX3537	AAX3537	Not used	Not used
	23	Label B (ESD)	Not used	Not used	Not used	Not used	AAX3538	AAX3538
	24	Label C (ERA)	AAX3502	AAX3502	Not used	Not used	Not used	Not used
	24	Label C (ERD)	Not used	Not used	AAX3503	AAX3503	Not used	Not used
	24	Label C (ESD)	Not used	Not used	Not used	Not used	AAX3504	AAX3504
	25	Terminal Panel B (42ER)	ANC2448	ANC2448	ANC2448	ANC2448	Not used	Not used
	25	Terminal Panel B (42ES)	Not used	Not used	Not used	Not used	ANC2449	ANC2449
	31	Input Cover Label E	AAX3375	AAX3396	AAX3375	AAX3396	Not used	Not used
	31	Input Cover Label 8ES	Not used	Not used	Not used	Not used	AAX3510	AAX3510

1 2 3 4

10.3 FRONT SECTION



Rear view



(1) FRONT SECTION PARTS LIST

<u>Mark No.</u>	<u>Description</u>	<u>Part No.</u>	<u>Mark No.</u>	<u>Description</u>	<u>Part No.</u>
1	42/60LED Assy	AWW1276	17	Frame	See Contrast table (2)
2	42IR Assy	See Contrast table (2)	18	Sensor Filter	See Contrast table (2)
3	IR Reducer	See Contrast table (2)	19	Screw (3 x 30P)	ABA1350
4	Blind Cushion 427HX	AEB1443	20	Screw (M3 x 4)	ABA1354
5	Speaker Cushion	AEB1452	21	Screw	APZ30P080FTB
6	Speaker Cushion S	AEB1460	22	Insulation Sheet A	AED1283
7	IR Block Cushion	AEB1465	23	Front Cushion (42)	AEB1484
8	Nylon Rivet	AEC1671	24	Sensor Cushion A (428)	See Contrast table (2)
9	Insulation Sheet B	AED1284	25	Sensor Cushion B (428)	See Contrast table (2)
10	Isolation Sheet	AED1289	26	Front Case Cushion	See Contrast table (2)
11	Front Case Assy	See Contrast table (2)	27	Isolation Cushion B	AED1326
NSP 12	Panel Cushion V (42)	AED1323	28	Insulation Sheet	See Contrast table (2)
NSP 13	Panel Cushion H (42)	AED1322	29	Insulation Sheet B	See Contrast table (2)
14	Pioneer Name Plate (42)	AAM1115			
15	Punching Sheet	See Contrast table (2)			
16	Front Collar	AMR3695			

(2) CONTRAST TABLE

PDP-4280XA/WYV5, WYVIXK5, PDP-4280XD/WYV5, WYVIXK5, PDP-428XD/WYV5 and WYVIXK5 are constructed the same except for the following:

Mark	No.	Symbol and Description	PDP-4280XA /WYV5	PDP-4280XA /WYVIXK5	PDP-4280XD /WYV5	PDP-4280XD /WYVIXK5	PDP-428XD /WYV5	PDP-428XD /WYVIXK5
	2	42IR Assy	AWW1282	AWW1282	AWW1282	AWW1282	Not used	Not used
	2	42RLS&IR Assy	Not used	Not used	Not used	Not used	AWW1277	AWW1277
	3	IR Reducer	AAX3455	AAX3455	AAX3455	AAX3455	Not used	Not used
	3	IR Sheet B (428)	Not used	Not used	Not used	Not used	AAX3551	AAX3551
	11	Front Case Assy (4280XA)	AMB3021	AMB3052	Not used	Not used	Not used	Not used
	11	Front Case Assy (4280XD)	Not used	Not used	AMB3020	AMB3051	Not used	Not used
	11	Front Case Assy (428XD)	Not used	Not used	Not used	Not used	AMB3016	AMB3022
	15	Punching Sheet (42)	AAS1014	AAS1014	AAS1014	AAS1014	Not used	Not used
	15	Punching Sheet (428)	Not used	Not used	Not used	Not used	AAS1016	AAS1016
	17	Frame	AMR3620	AMR3620	AMR3620	AMR3620	Not used	Not used
	18	Sensor Filter	Not used	Not used	Not used	Not used	AAK2926	AAK2926
	24	Sensor Cushion A (428)	Not used	Not used	Not used	Not used	AEB1485	AEB1485
	25	Sensor Cushion B (428)	Not used	Not used	Not used	Not used	AEB1486	AEB1486
	26	Front Case Cushion (42B)	AEB1462	AEB1462	AEB1462	AEB1462	Not used	Not used
	26	Front Case Cushion (428)	Not used	Not used	Not used	Not used	AEB1488	AEB1488
	28	Insulation Sheet	AED1289	AED1289	AED1289	AED1289	Not used	Not used
	29	Insulation Sheet B	AED1284	AED1284	AED1284	AED1284	Not used	Not used

1 2 3 4

10.4 CHASSIS SECTION (1/2)

A

B

C

D

E

F

Refer to
"10.7 MULTI BASE SECTION".

POWER
P10

MAIN
CN4103

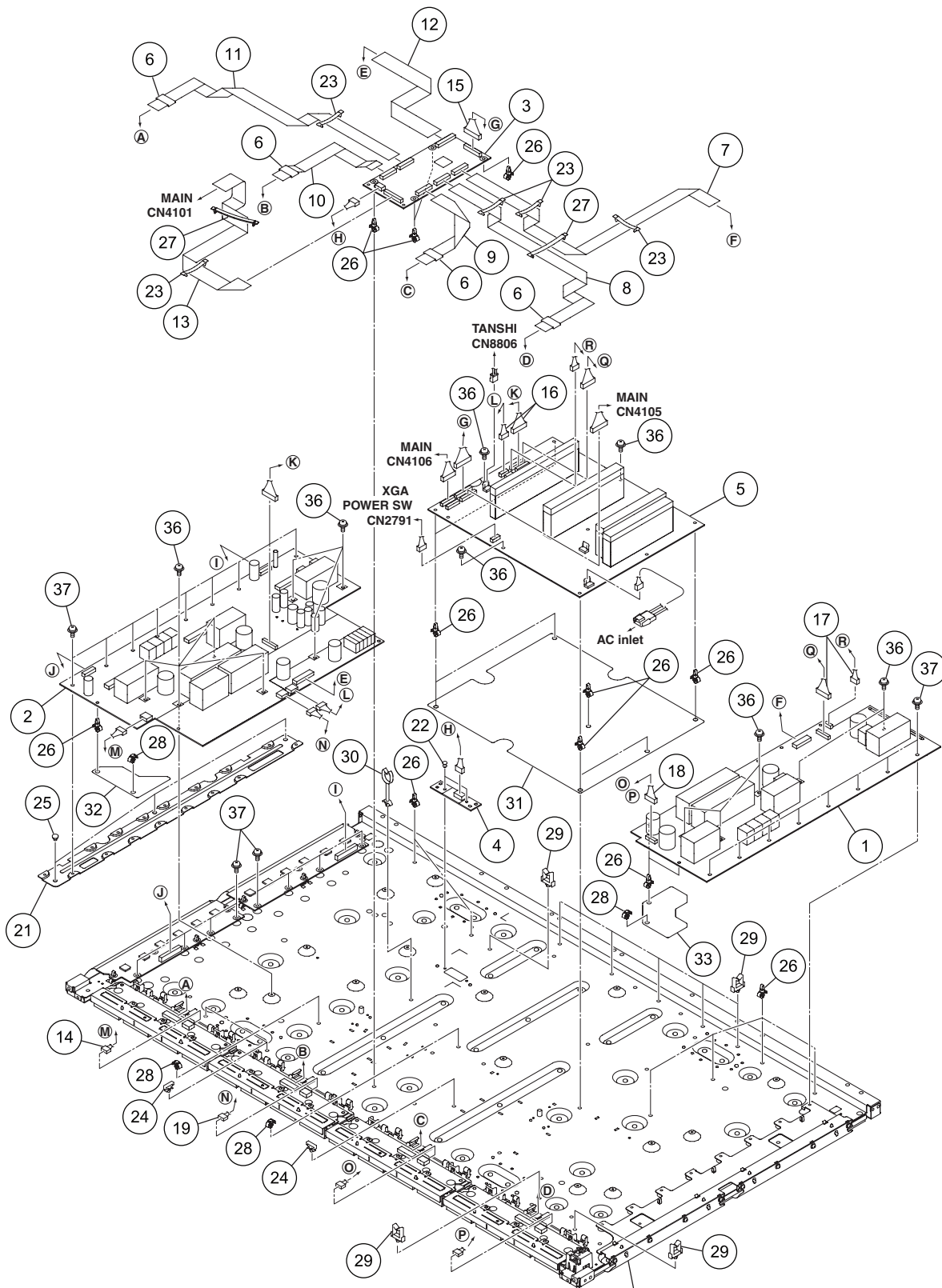
Cleaning liquid : GEM1004
Cleaning paper : GED-008

Refer to
"10.5 CHASSIS SECTION (2/2)".

CHASSIS SECTION (1/2) PARTS LIST

<u>Mark No.</u>	<u>Description</u>	<u>Part No.</u>	
1	XGA POWER SW Assy	AWW1261	
2	Ferrite Core (L1)	ATX1044	A
3	Housing Wire (J103)	ADX3536	
⚠ 4	Fan Motor 80 x 25L	AXM1057	
5	Speaker Box Assy L	AMW1012	
6	Speaker Box Assy R	AMW1013	
7	Front Chassis VL (427)	AMA1020	
8	Front Chassis VR (427)	AMA1021	
9	Sub Frame Assy L (427)	ANA1943	
10	Sub Frame Assy R (427)	ANA1944	
11	Front Chassis H Assy	ANA2047	B
12	Fan Holder	ANG2833	
⚠ 13	Panel Holder V1 (427)	ANG2920	
⚠ 14	Panel Holder V2 (427)	ANG2921	
⚠ 15	Panel Holder H (427)	ANG2922	
16	Multi Base Holder	ANG2937	
17	Floating Rubber 80	AEB1427	
18	Ferrite Core Holder	AEC1818	
19	Flat Clamp	AEC1879	
20	Locking Wire Saddle	AEC1948	C
21	Mini Clamp	AEC2128	
22	Re-use Wire Saddle	AEC2091	
23	Re-use Wire Saddle	AEC2118	
⚠ 24	Address Gasket (42)	ANK1877	
25	•••••		
⚠ 26	Gasket D	ANK1840	
27	Switch Holder (428)	AMR3694	
28	Re-use Wire Saddle	AEC1945	
29	Re-use HL 28	AEC2119	
30	Screw	ABA1351	D
31	Screw	ABA1370	
32	Screw	ABZ30P080FTC	
33	Screw	AMZ30P060FTB	
34	Screw	APZ30P080FTB	
35	Screw	BBZ30P060FTC	
36	Screw	TBZ40P080FTB	
37	Screw	ABA1364	E

10.5 CHASSIS SECTION (2/2)



Refer to "10.6 PANEL CHASSIS SECTION".

CHASSIS SECTION (2/2) PARTS LIST

<u>Mark No.</u>	<u>Description</u>	<u>Part No.</u>	
1	42 X DRIVE Assy	AWV2452	
2	42 Y DRIVE Assy	AWW1262	A
3	42 DIGITAL Assy	AWW1271	
4	SENSOR Assy	AWW1272	
△ 5	POWER SUPPLY Unit	AXY1157	
6	Ferrite Core (F1 - F4)	ATX1048	
7	Flexible Cable (J201)	ADD1483	
8	Flexible Cable (J202)	ADD1484	
9	Flexible Cable (J203)	ADD1485	
10	Flexible Cable (J204)	ADD1486	
11	Flexible Cable (J205)	ADD1487	B
12	Flexible Cable (J206)	ADD1488	
13	Flexible Cable (J211)	ADD1489	
14	4P Housing Wire (J110)	ADX3327	
15	14P&5P Housing Wire (J104)	ADX3522	
16	9P&6/5P Housing Wire (J101)	ADX3534	
17	8P&5P Housing Wire (J102)	ADX3535	
18	8P/4P Housing Wire (J108)	ADX3537	
19	4P Housing Wire (J109)	ADX3538	
20	•••••		C
21	Conductive Plate Y (428)	ANG3082	
22	Nylon Rivet	AEC1671	
23	Flat Clamp	AEC1879	
24	Locking Wire Saddle	AEC1948	
25	Card Spacer	AEC1957	
26	PCB Spacer (Re-use)	AEC2087	
27	Flat Clamp 60	AEC2104	
28	Re-use Card Spacer	AEC2117	
29	Re-use Wire Saddle	AEC2118	
30	Re-use HL 28	AEC2119	D
△ 31	Power Sheet (8G)	AMR3708	
△ 32	Y Drive Sheet (428)	AMR3709	
△ 33	X Drive Sheet (428)	AMR3710	
34	•••••		
35	•••••		
36	Screw	ABA1351	
37	Screw	ABA1364	E

10.6 PANEL CHASSIS SECTION

A

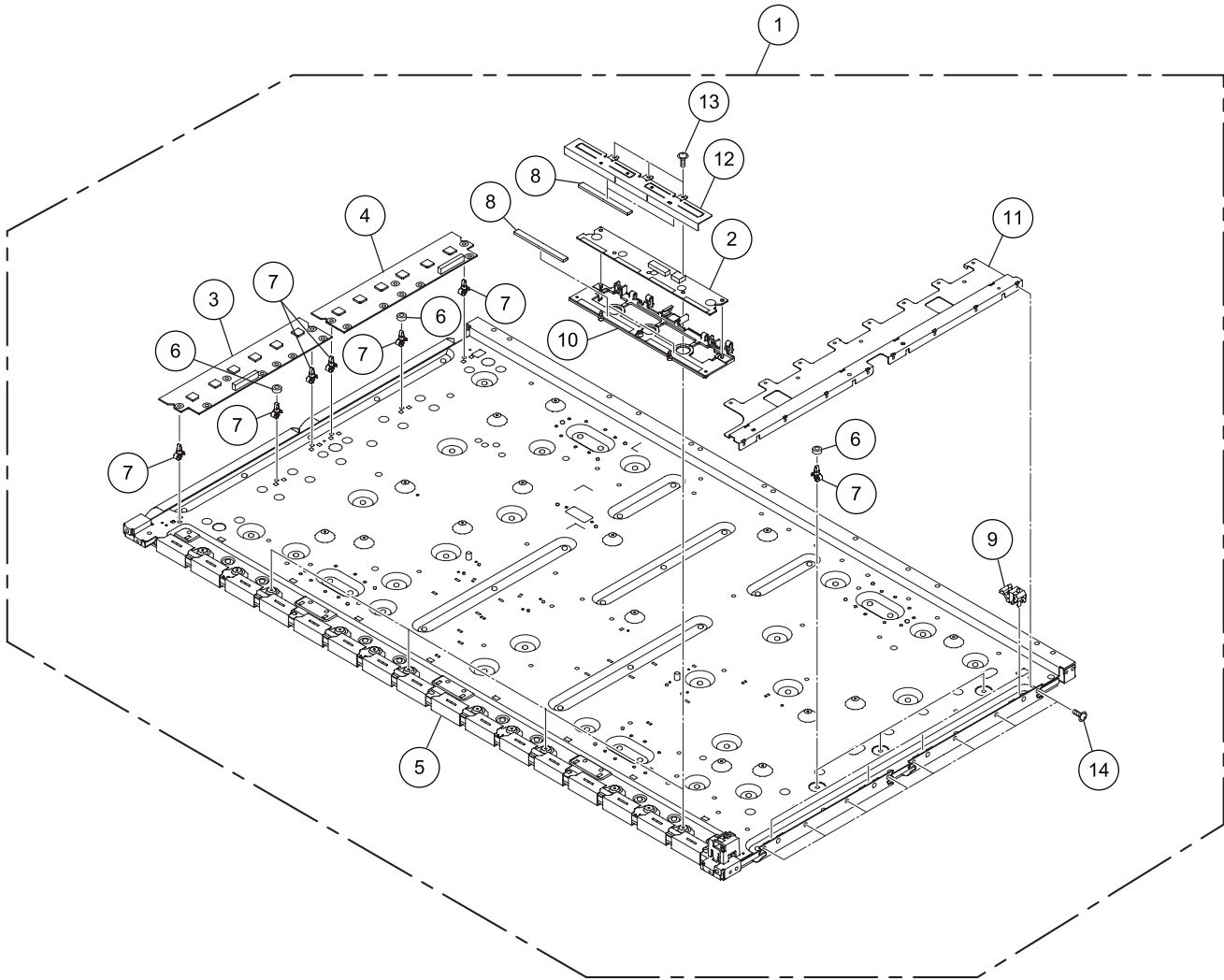
B

C

D

E

F



PANEL CHASSIS SECTION PARTS LIST

<u>Mark No.</u>	<u>Description</u>	<u>Part No.</u>
1	Panel Chassis (428) Assy	AWU1246
NSP 2	42 ADDRESS Assy	AWV2451
NSP 3	42 SCAN A Assy	AWW1266
NSP 4	42 SCAN B Assy	AWW1267
NSP 5	Plasma Panel (428) Assy	AWU1247
6	Insulation Bushing 1.5	AEB1482
7	PCB Spacer	AEC1941
8	Address Silicone A	AEH1093
9	Conductive Plate Holder	AMR3446
10	Address Holder (428)	AMR3707
11	Conductive Plate X (428)	ANG3080
12	Address Plate (428)	ANG3084
13	Screw	ABA1351
14	Screw	ABA1364

A

B

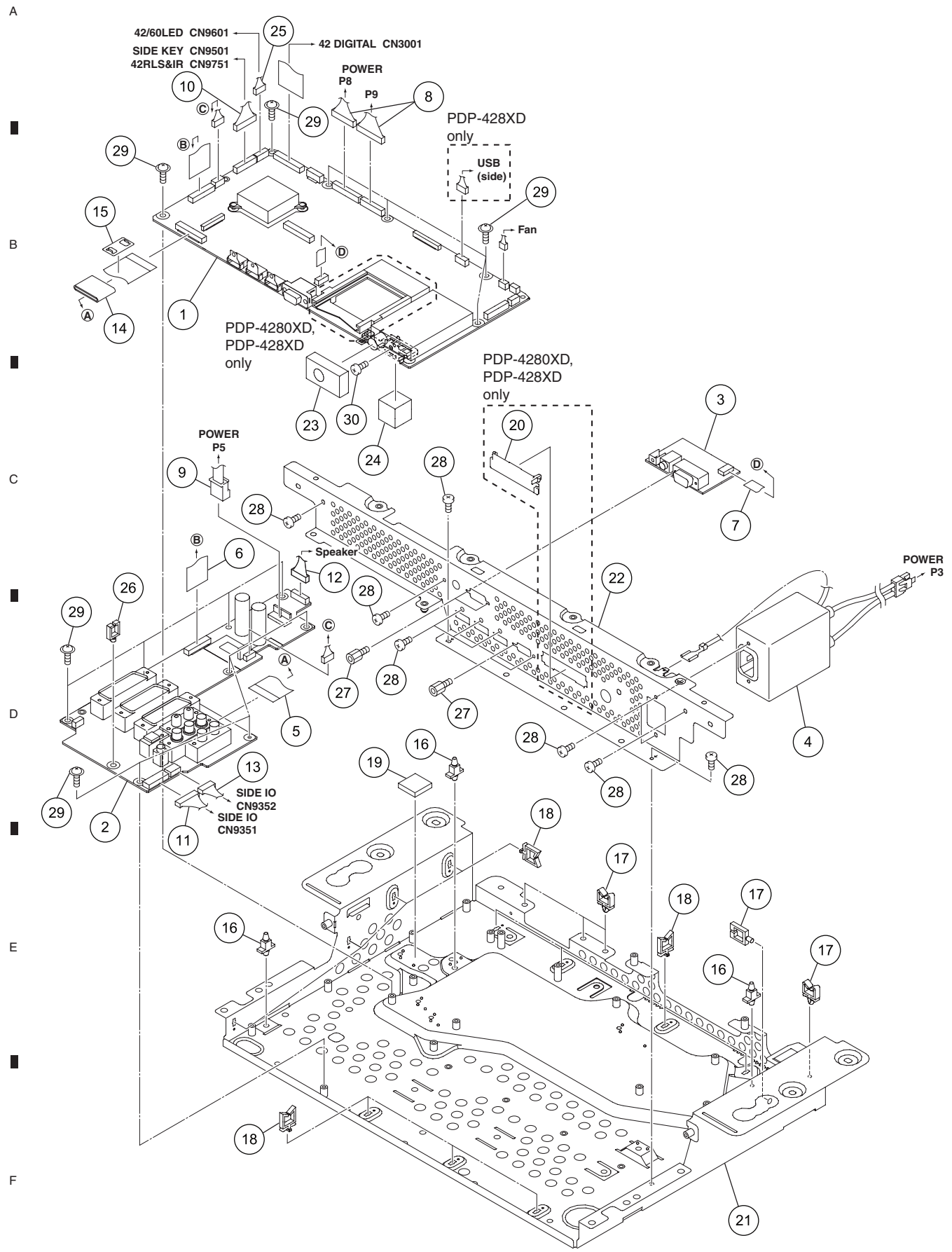
C

D

E

F

10.7 MULTI BASE SECTION



(1) MULTI BASE SECTION PARTS LIST

<u>Mark No.</u>	<u>Description</u>	<u>Part No.</u>	<u>Mark No.</u>	<u>Description</u>	<u>Part No.</u>
⚠ 1	MAIN Assy	See Contrast table (2)	16	Locking Card Spacer	AEC1429
2	TANSHI Assy	See Contrast table (2)	17	Wire Saddle	AEC1745
3	232C Assy	AWW1254	18	Re-use Wire Saddle	AEC1945
⚠ 4	AC Inlet (CN1)	AKP1316	19	Silicone Sheet Audio	AEH1143
5	Flexible Cable (J212)	ADD1441	20	POD Cover	See Contrast table (2)
6	Flexible Cable (J213)	ADD1491	21	Multi Base Assy (J)	ANA2103
7	Flexible Cable (J217)	ADD1494	22	Terminal Panel A	See Contrast table (2)
8	12P&15P Housing Wire (J106)	ADX3523	⚠ 23	Gasket FE	ANK1945
9	5P Housing Wire (J107)	ADX3524	24	Gasket EC	ANK1954
10	11/6/4P Housing Wire (J114)	ADX3539	25	6P Housing Wire (J115)	ADX3540
11	11P Housing Wire (J118)	ADX3541	26	Harness Clip	AEC2130
12	8P/4P Housing Wire (J119)	ADX3542	27	Hex. Head Screw	BBA1051
13	5P Housing Wire (J125)	ADX3544	28	Screw	BMZ30P060FTB
14	Ferrite Core	ATX1064	29	Screw	PMB30P080FNI
15	Ferrite Stopper	AEC1981	30	Screw (M3 x 4)	ABA1354

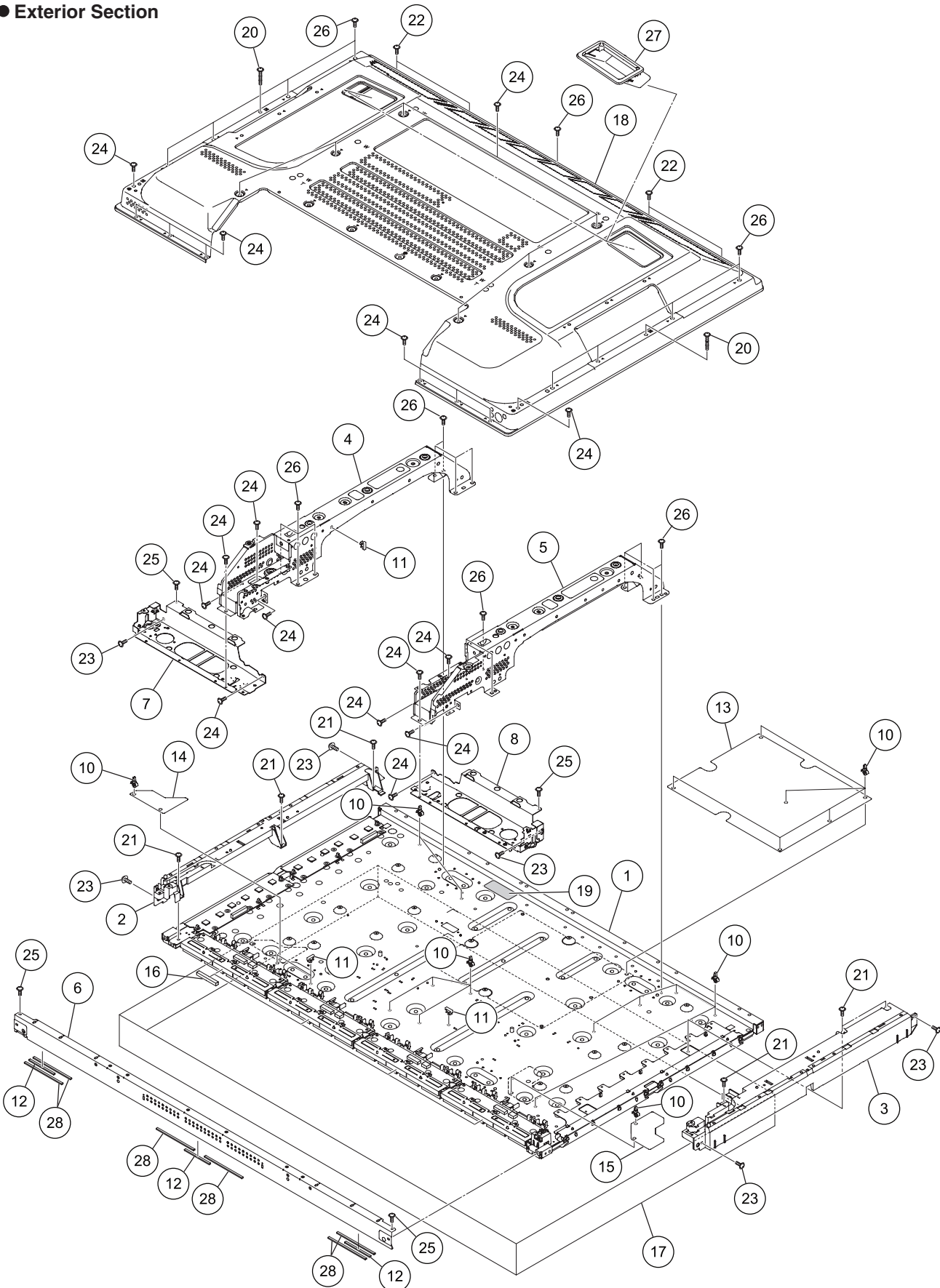
(2) CONTRAST TABLE

PDP-4280XA/WYV5, WYVIXK5, PDP-4280XD/WYV5, WYVIXK5, PDP-428XD/WYV5 and WYVIXK5 are constructed the same except for the following:

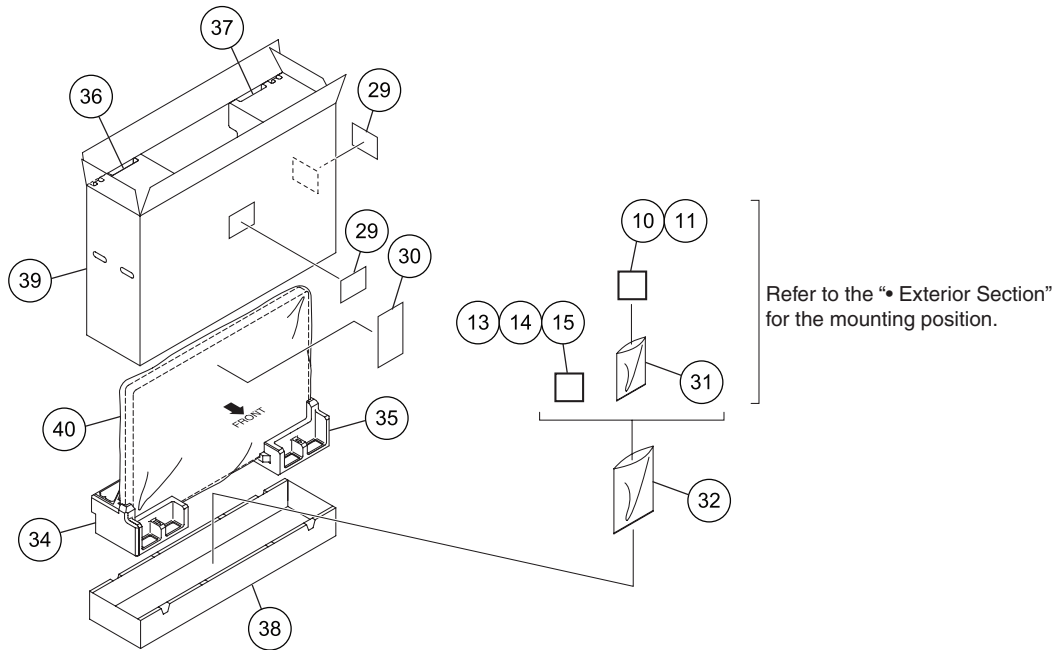
Mark	No.	Symbol and Description	PDP-4280XA /WYV5	PDP-4280XA /WYVIXK5	PDP-4280XD /WYV5	PDP-4280XD /WYVIXK5	PDP-428XD /WYV5	PDP-428XD /WYVIXK5
⚠	1	MAIN Assy	AWV2463	AWV2463	AWV2462	AWV2462	AWV2461	AWV2461
	2	TANSHI Assy	AWW1251	AWW1251	AWW1249	AWW1249	AWW1247	AWW1247
	20	POD Cover	Not used	Not used	AMR3542	AMR3542	AMR3542	AMR3542
	22	Terminal Panel A (EA)	ANC2442	ANC2442	Not used	Not used	Not used	Not used
	22	Terminal Panel A (ED)	Not used	Not used	ANC2441	ANC2441	ANC2441	ANC2441

10.8 PDP SERVICE ASSY 428

● Exterior Section



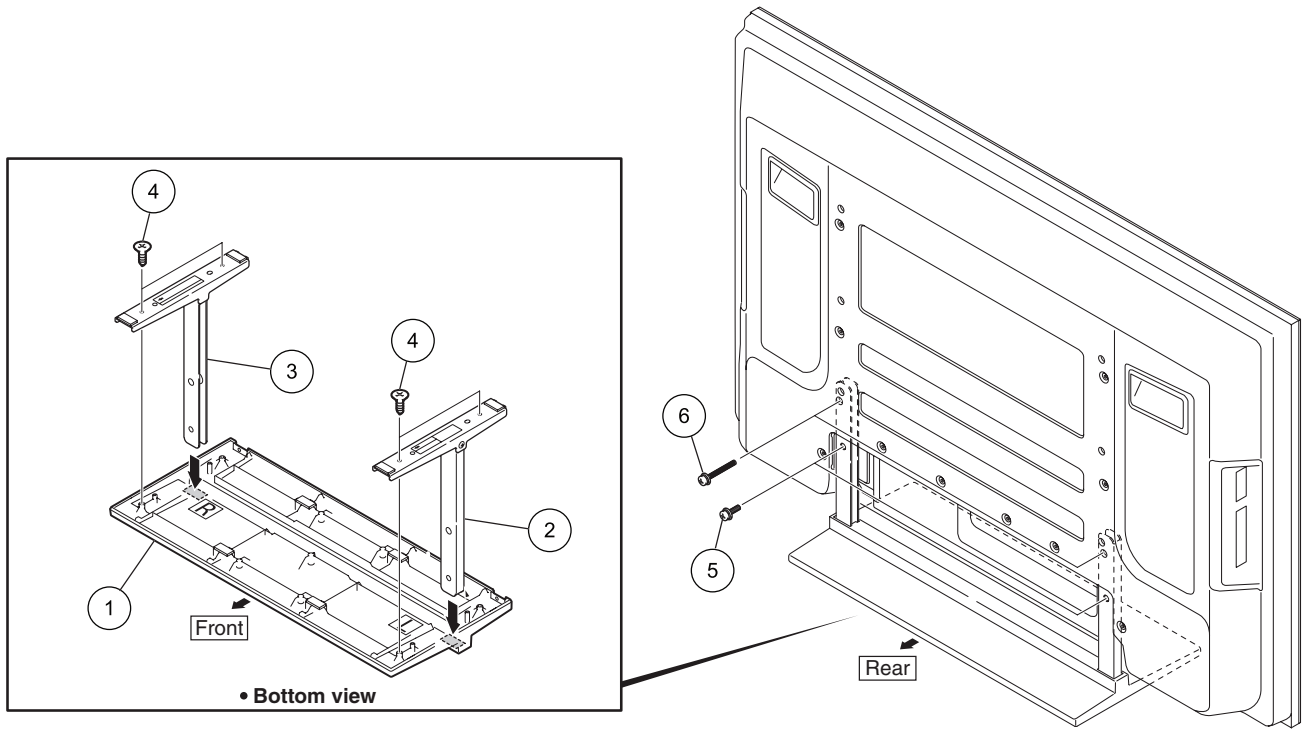
● Packing Section



PDP SERVICE ASSY 428 PARTS LIST

<u>Mark No.</u>	<u>Description</u>	<u>Part No.</u>	<u>Mark No.</u>	<u>Description</u>	<u>Part No.</u>
NSP 1	Panel Chassis (428) Assy	AWU1246	21	Screw	ABA1351
2	Front Chassis VL (427)	AMA1020	22	Screw (4 x 18)	ABA1353
3	Front Chassis VR (427)	AMA1021	23	Screw	ABZ30P080FTC
4	Sub Frame Assy L (427)	ANA1943	24	Screw	AMZ30P060FTB
5	Sub Frame Assy R (427)	ANA1944	25	Screw	APZ30P080FTB
6	Front Chassis H Assy (427)	ANA2047	26	Screw	TBZ40P080FTB
NSP 7	Speaker Stay L	AND1197	27	Inner Grip Assy	AMR3434
NSP 8	Speaker Stay R	AND1198	28	Isolation Sheet	AED1289
9	•••••		29	Caution Label	AAX3031
10	PCB Spacer	AEC1941	30	Caution Sheet (8G service)	ARM1369
11	Locking Wire Saddle	AEC1948	31	Polyethylene Bag S	AHG1338
12	Isolation Cushion	AED1324	NSP 32	Catalogue Bag	AHG1340
⚠ 13	Power Sheet (8G)	AMR3708	33	•••••	
⚠ 14	Y Drive Sheet (428)	AMR3709	34	Pad (428 B-L)	AHA2668
⚠ 15	X Drive Sheet (428)	AMR3710	35	Pad (428 B-R)	AHA2669
⚠ 16	Address Gasket (42)	ANK1877	36	Pad (428 T-L)	AHA2670
NSP 17	Front Case Assy (428 service)	AMB3058	37	Pad (428 T-R)	AHA2671
18	Rear Case (428)	ANE1667	38	Under Carton (428)	AHD3586
NSP 19	Drive Voltage Label	ARW1097	39	Upper Carton (428 service)	AHD3641
20	Screw (3 x 40P)	ABA1332	40	Protect Sheet	AHG1331

10.9 TABLE TOP STAND (PDP-4280XA and PDP-4280XD ONLY)



(1) TABLE TOP STAND PARTS LIST

Mark No.	Description	Part No.
1	Base Cover Assy	See Contrast table (2)
2	Stand Pipe L Assy	See Contrast table (2)
3	Stand Pipe R Assy	See Contrast table (2)
4	Screw	ABA1357
5	Screw (M8 x 23)	ABA1371
6	Screw (M8 x 60)	ABA1372

(2) CONTRAST TABLE

PDP-4280XA/WYV5, WYVIXK5, PDP-4280XD/WYV5 and WYVIXK5 are constructed the same except for the following:

Mark	No.	Symbol and Description	PDP-4280XA /WYV5	PDP-4280XA /WYVIXK5	PDP-4280XD /WYV5	PDP-4280XD /WYVIXK5
	1	Base Cover Assy	AXY1195	AXY1174	AXY1195	AXY1174
	2	Stand Pipe L Assy	AXY1190	AXY1180	AXY1190	AXY1180
	3	Stand Pipe R Assy	AXY1191	AXY1181	AXY1191	AXY1181

Changed contents

Suffix	Applied Page or Title	Revision	Date
002	Coversheet	Deleted the description of the reference service manual.	June 22, 2007