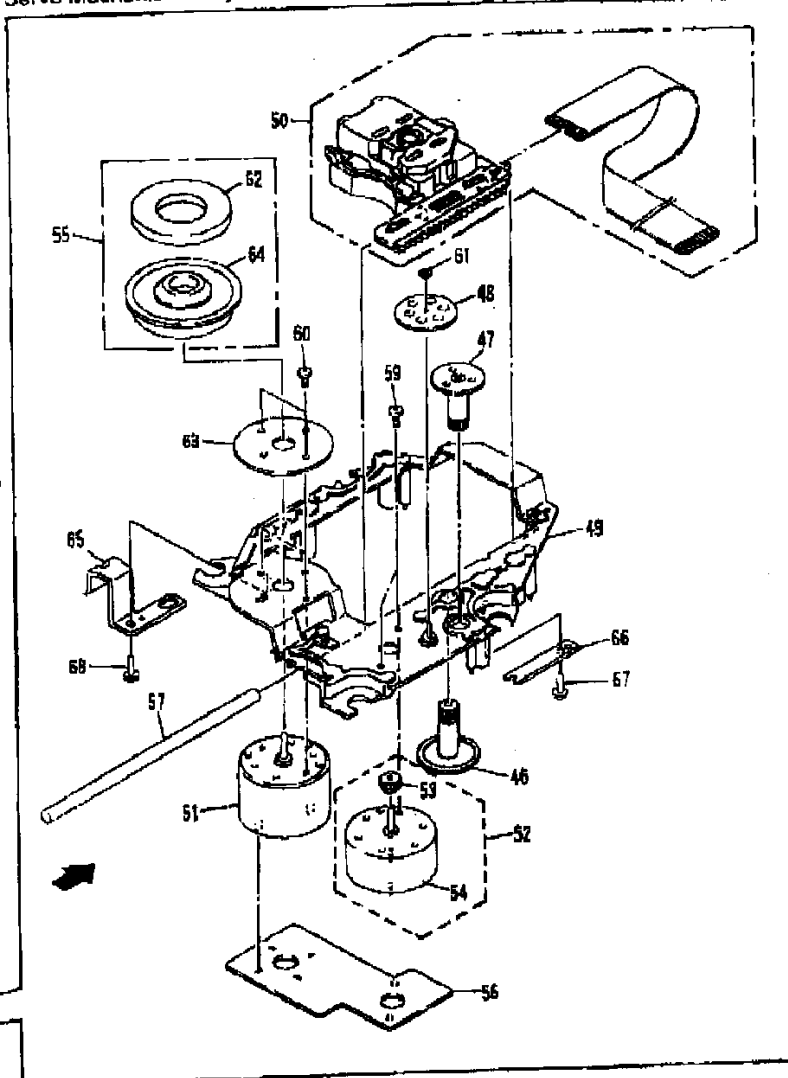
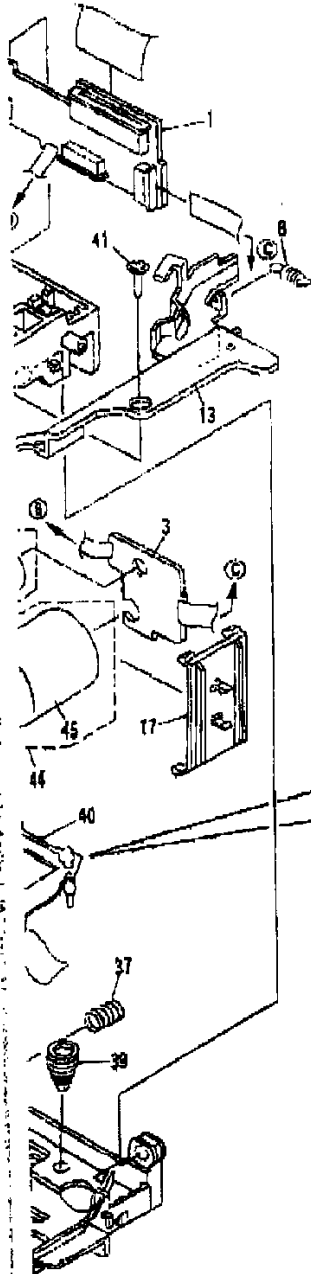


Pioneer PDF706

Servo Mechanism Assy GM



How to install the disc table

- 1 Use nipper or other tool to cut the two sections marked (A) figure (1). Then remove the spacer.
- 2 While supporting the spindle motor shaft with the stopper, put spacer on top of the yoke M, and stick the disc table on top (takes about 8kg pressure). Take off the spacer.

