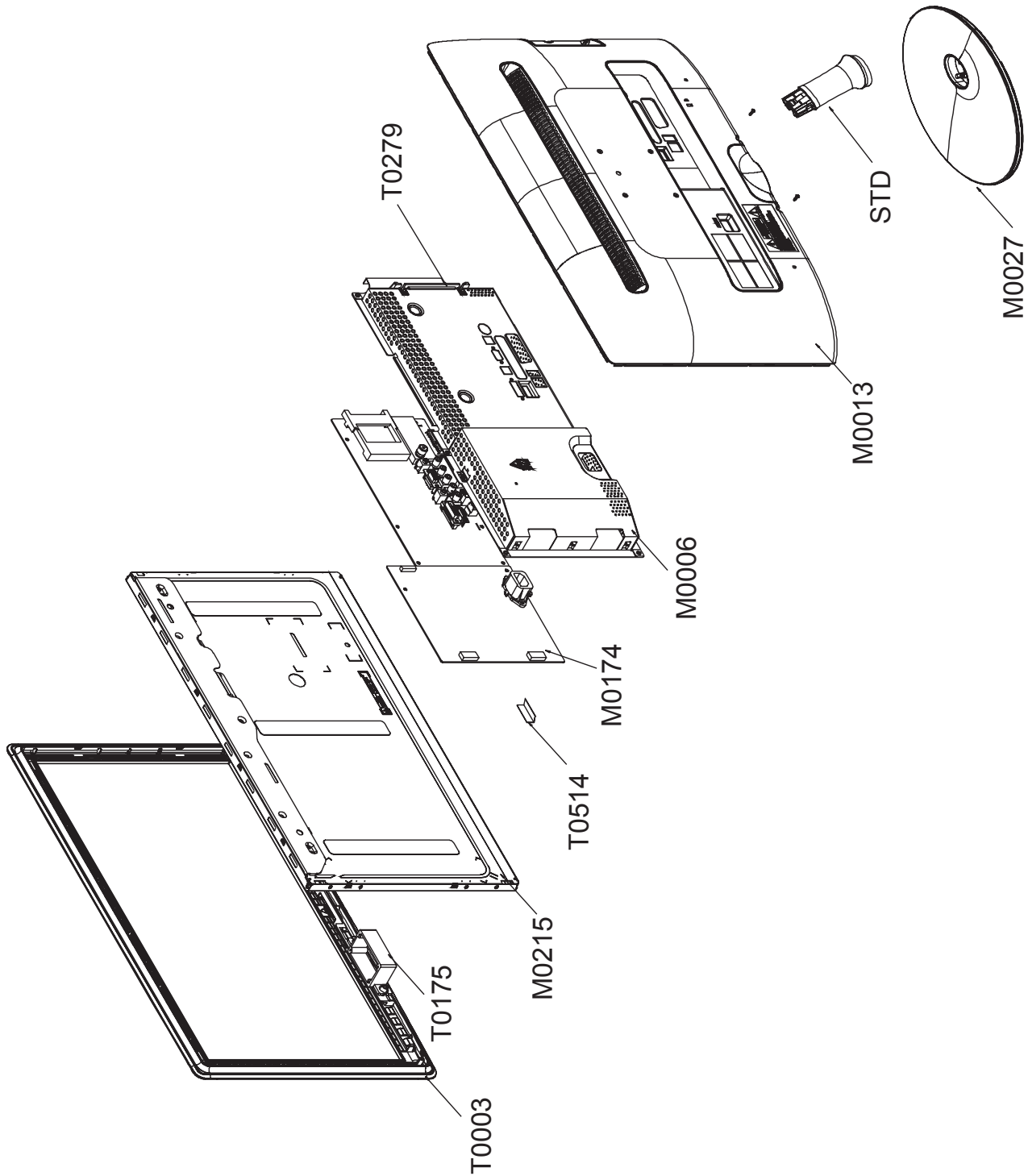


5. Exploded View & Part List

5-1. LS22EMDKF/EN - Exploded View (P2270HD)



5-1-1. LS22EMDKF/EN - Parts List (P2270HD)

Location No.	Code No.	Description & Specification	Q'ty	SA/SNA	Remark
M0006	BN96-11501A	ASSY SHIELD P-COVER;LS22EM (MFM),SECC T0	1	SNA	
M0013	BN96-11500A	ASSY COVER P-REAR;LS22EM(P2270HD),ABS,HB	1	SA	
M0027	BN96-09629A	ASSY STAND P-BASE;ECOFIT,ABS HB,BK23(H/G	1	SA	
M0174	BN44-00232D	IP BOARD;IP-54135B,Ecofit21.5"w(MFM),0.7	1	SA	
M0215	BN07-00594A	LCD-PANEL;M215HW01 V0,AU21501,6bit Hi-FR	1	SA	
STD	BN96-09628B	ASSY STAND P-BODY;ECOFIT,PC	1	SA	
T0003	BN96-11499D	ASSY COVER P-FRONT;LS22EM,PMMA,PMMA+ABS,	1	SA	
T0175	BN96-06823G	ASSY SPEAKER P;16ohm,4pin,3W,R:500 / L:5	1	SA	
T0279	BN63-05820A	COVER-JACK;ECOFIT MFM,PC ABS V0,BK23,TOC	1	SNA	
T0514	BN61-05543A	BRACKET-SUPPORT;ECOFIT MFM,SPTE,T0.3	1	SNA	

5-2. LS22EMDKF/EN - Parts List (P2270HD)

Service Bom (SA: SERVICE AVAILABLE, SNA: SERVICE NOT AVAILABLE)

Level	Location No.	Code No.	Description & Specification	Q'ty	SA/SNA	Remark
0.1		BN90-02255C	ASSY COVER FRONT;LS22EM (P2270HD),MFM,Ch	1	SNA	
..2		BN68-02302A	LABEL-MONITOR-POP;ECOFIT-MFM(20/22/23),W	1	SNA	
..2	T0175	BN96-06823G	ASSY SPEAKER P;16ohm,4pin,3W,R:500 / L:5	1	SA	
..2	T0003	BN96-11499D	ASSY COVER P-FRONT;LS22EM,PMMA,PMMA+ABS,	1	SA	
...3	W392	6003-000282	SCREW-TAPTYPE;BH,+,-,B,M3,L8,ZPC(BLK),SW	1	SNA	
...3	M0960	BN61-05545A	HOLDER-BOSS;P2270HD,HIPS HB,BK23	1	SNA	
...3		BN63-01474G	FELT-STAND;ECOFIT23"(P2370),T0.35,20,127	1	SNA	
...3	CCM1	BN63-02183D	COVER-SHEET;Rhcm,PE Vinyl,T0.05,680mm,20	0.6	SNA	
...3	M0112	BN63-05669C	COVER-FRONT;LS22EM(MFM),PMMA PMMA+ABS,HB	1	SNA	
...3	T0527	BN68-00798D	LABEL-ENERGY,STAR;L/M,W/W,PET,T0.05,9.3,	1	SNA	
...3	M0020	BN96-11411C	ASSY BOARD P;P2270HD,CT5000-6930C,CHEMT,	1	SA	
0.1	M0002	BN90-02256A	ASSY COVER REAR;LS22EM (MFM)	1	SNA	
..2	M0013	BN96-11500A	ASSY COVER P-REAR;LS22EM(P2270HD),ABS,HB	1	SA	
...3	W392	6003-000282	SCREW-TAPTYPE;BH,+,-,B,M3,L8,ZPC(BLK),SW	3	SNA	
...3	M0081	6003-001001	SCREW-TAPTYPE;FH,+,-,B,M3,L8,ZPC(BLK),SWRC	1	SNA	
...3	M0081	6003-001239	SCREW-TAPTYPE;FH,+,-,B,M4,L10,ZPC(WHT),SWR	2	SNA	
...3	M0113	BN61-01581A	BRACKET-VESA;BI17/19BS,SECC,T1.0	2	SNA	
...3		BN61-03947A	GUIDE-CONTROL;T200D / T220D / T240D / T2	2	SNA	
...3	CIS4	BN61-05084A	HOLDER-STAND;ECOFIT 23",ACETAL,WHITE	1	SNA	
...3	T0060	BN61-05090A	SPRING ETC;ECOFIT 23",SK5,T0.5	1	SNA	
...3	CCM1	BN63-02183D	COVER-SHEET;Rhcm,PE Vinyl,T0.05,680mm,20	0.7	SNA	
...3	M0006	BN63-05797A	COVER-REAR;LS22EM(P2270HD),ABS,HB,BK23,H	1	SNA	
...3	T0071	BN64-01094A	INLAY-TERMINAL;ECOFIT MFM,PS SHEET,T0.5,	1	SNA	
...3		BN96-11498A	ASSY COVER P-DOOR CONTROL;LS22EM,ABS HB,	1	SA	
....4		BN64-01095A	DOOR-CONTROL;LS23EM(P2370HD),ABS HB,BK23	1	SNA	
....4	CCM1	BN63-02183D	COVER-SHEET;Rhcm,PE Vinyl,T0.05,680mm,20	0.07	SNA	
...3	T0060	BN61-05091A	SPRING ETC-STAND;ECOFIT 23",SK5,T0.3	1	SNA	
...3	M0111	BN63-05798A	COVER-STAND;LS23EM(P2370HD),ABS,HB,BK23,	1	SNA	
...3		BN63-01151D	FELT-NON WOVEN;SP20UO,FELT,T0.5,10,90	1	SNA	
...3		BN96-11911A	ASSY SHIELD P-LAMP;ECOFIT 22(MFM),SPTE,T	1	SNA	
....4		BN63-05800A	SHIELD-LAMP;LS22EM(P2270HD),SPTE,T 0.3	1	SNA	
....4		BN72-00445J	SPONGE-DUST;L900,SPONGE,5,6,L120	3	SNA	
....4	M0909	BN72-00450A	SPONGE;58 P650,SPONGE,5,6,75	4	SNA	
..2	W391	6003-000275	SCREW-TAPTYPE;BH,+,-,B,M3,L10,ZPC(BLK),SWR	2	SA	
0.1		BN91-02220M	ASSY LCD;LS22EMDKU/EN	1	SNA	
..2	M0215	BN07-00594A	LCD-PANEL;M215HW01 V0,AU21501,6bit Hi-FR	1	SA	
0.1	M0017	BN91-04234B	ASSY CHASSIS;LS22EMDKU/EN	1	SNA	
..2	M0081	6003-001023	SCREW-TAPTYPE;PWH,+,-,B,M3,L10,ZPC(WHT),	7	SNA	
..2	M0081	6003-001439	SCREW-TAPTYPE;BH,+,-,S,M4,L8,ZPC(WHT),SWRC	1	SNA	
..2	M0174	BN44-00232D	IP BOARD;IP-54135B,Ecofit21.5"w(MFM),0.7	1	SA	
..2	T0514	BN61-05543A	BRACKET-SUPPORT;ECOFIT MFM,SPTE,T0.3	1	SNA	
..2	T0279	BN63-05820A	COVER-JACK;ECOFIT MFM,PC ABS V0,BK23,TOC	1	SNA	
..2	CCMM1	BN73-00197A	SILICON/RUBBER;T-MFM,SILICON,13X13X5	2	SNA	
..2	M0014	BN94-02993C	ASSY PCB MAIN;LS22EMDKU/EN	1	SA	
...3		0202-001557	SOLDER-CREAM;LST57-A,D38-63,42SN/57BI/1A	11	SNA	
...3		0202-001608	SOLDER-WIRE FLUX;LFC7-107,D0.8,99.3Sn/0.	0.25	SNA	
...3		3701-001385	CONNECTOR-DSUB;15P,3R,FEMALE,STRAIGHT,AU	1	SA	

5. Exploded View & Part List

Level	Location No.	Code No.	Description & Specification	Q'ty	SA/SNA	Remark
...3		3701-001386	CONNECTOR-DVI;24P,3R,FEMALE,AU	1	SA	
...3	CN906	3707-001081	CONNECTOR-OPTICAL;STRAIGHT,SPDIF	1	SA	
...3		3709-001508	CONNECTOR-CARD SLOT;68P,1.27mm,PIN,PCMC	1	SA	
...3	CN906	3711-004105	CONNECTOR-HEADER;BOX,8P,1R,2.5mm,ANGLE,S	1	SA	
...3	DRVCN1	3711-004379	HEADER-BOARD TO CABLE;BOX,4P,1R,2mm,STRA	1	SA	
...3		3711-006715	HEADER-BOARD TO CABLE;BOX,4P,1R,2.5mm,AN	1	SNA	
...3		3722-000498	JACK-SCART;21P,SN,BLK	1	SA	
...3	JA330	3722-001061	JACK-PHONE;1P,3.6PI,AG,BLK,N	1	SA	
...3	JA330	3722-002176	JACK-PHONE;7P/4C,SN,L-BLU,STRAIGHT	1	SA	
...3	CN2	3722-002516	JACK-USB;4P/1C,AU30U,BLK,STRAIGHT,A TYPE	1	SA	
...3	M0909	AA63-01388A	GASKET-EMI,SPONGE;SP-P300M,Conductive Fa	1	SNA	
...3	CIS3	BN40-00137A	TUNER;DNOQ403SH151A(S),DNOQ403SH151A(S),	1	SA	
...3		BN97-00707A	ASSY HDCP;BN46-00018A,BR20/21BS_CS,MSTAR	1	SNA	
...4		BN46-00018A	KEY CODE-CERTIFICATE;(HDCP KEY)PPM42M5S,	1	SNA	
...3	T0510	BN97-03451R	ASSY SMD-MAIN;LS22EMDKU/EN	1	SNA	
...4		0202-001477	SOLDER-CREAM;LST309-M,D20~45um,96.5Sn/3A	0.049	SNA	
...4		0401-001056	DIODE-SWITCHING;MMBD4148SE,100V,200mA,SO	8	SA	
...4	D1	0401-001099	DIODE-SWITCHING;1N4148WS,75V,150mA,SOD-3	9	SA	
...4	D0254	0402-000553	DIODE-SCHOTTKY;SS24/B240,40V,2000mA,DO-2	2	SA	
...4		0402-001098	DIODE-RECTIFIER;SK34,40V,3A,SMC,TP	2	SA	
...4		0402-001614	DIODE-RECTIFIER;S1G,400V,1A,DO-214AC,TP	1	SA	
...4		0403-000771	DIODE-ZENER;VLZ6V2B,5.96-6.27V,500mW,SOD	35	SA	
...4	MZD1	0403-001411	DIODE-ZENER;5.49-5.73V,200mW,SOD-323,TP	3	SA	
...4	D0254	0404-001271	DIODE-SCHOTTKY;SSA34,40V,3000mA,SMA,TP	1	SA	
...4	T0139	0406-001200	DIODE-TVS;RCLAMP0504F,6/-V,150W,SC-70	1	SA	
...4		0406-001299	DIODE-TVS;CM1224-04MR,MSOP-10	4	SA	
...4	AD12	0407-000123	DIODE-SWITCHING;DAN202K,80V,100mA,SOT-23	3	SA	
...4	Q101	0501-000445	TR-SMALL SIGNAL;KTC3875S-Y,NPN,150mW,SOT	11	SA	
...4		0501-000669	TR-SMALL SIGNAL;KTA1505Y,PNP,150mW,SOT-2	1	SA	
...4	PQ02	0501-002080	TR-SMALL SIGNAL;2SC2412K,NPN,200mW,SC-59	2	SA	
...4	CEQ2	0505-000110	FET-SILICON;2N7002,N,60V,115mA,7.5ohm,0.	3	SA	
...4	Q409	0505-001170	FET-SILICON;SI9933ADY-T1,P,-20V,3.4A,0.0	2	SA	
...4	Q409	0505-002169	FET-SILICON;Si4435BDY-T1-E3,P,-30V,-9.1A	1	SA	
...4	M0215	0801-002198	IC-CMOS LOGIC;74LVC14,INVERTER,SOP,14P,1	1	SA	
...4	IC104	0801-002779	IC-CMOS LOGIC;74LVC1G125,BUS BUFFER,SOT-	1	SA	
...4	IC112	1103-000129	IC-EEPROM;24C02,2Kbit,256x8,SOP,8P,5x4mm	2	SA	
...4	IC112	1103-001310	IC-EEPROM;24LC02B,256X8BIT,SOIC,8P,3.91X	1	SA	
...4	IC112	1103-001441	IC-EEPROM;24C1024,1Mbit,128Kx8,SOP,8P,4.	1	SA	
...4		1105-001931	IC-DDR2 SDRAM;K4T51163Q,DDR2-800,512Mbit	2	SNA	
...4	IC115	1107-001777	IC-FLASH MEMORY;MX25L6405DMI-12G,64Mbit,	1	SA	
...4	U309	1201-000166	IC-OP AMP;LM358,SOP,ST,8P,150MIL,DUAL,10	1	SA	
...4	T0085	1201-002487	IC-AUDIO AMP;MAX9728A,QFN,12P,3x3mm,DUAL	1	SA	
...4	T0124	1201-002797	IC-POWER AMP;NTP-3200,QFN,56P,8x8mm,DUAL	1	SA	
...4	T0085	1201-002849	IC-AUDIO AMP;DRV603,TSSOP,14P,5x4.4mm,DU	1	SA	
...4	T0087	1203-001815	IC-POSIFIXED REG.;78M09,TO-252,3P,PLAST	1	SA	
...4	T0087	1203-002842	IC-POSIFIXED REG.;AP1117D-33A,TO-252,3P	1	SA	
...4	IC012	1203-002995	IC-POSIAJUST REG.;AP1117D-A,TO-252,3P,	2	SA	
...4	T0170	1203-003059	IC-SWITCH VOL. REG.;MP1583,SOIC,8P,4.9x3	1	SA	
...4		1203-004363	IC-VOL. DETECTOR;RT9818C-29PV,SOT-23,3P,	1	SA	
...4		1203-004364	IC-VOL. DETECTOR;RT9818C-42PV,SOT-23,3P,	1	SA	
...4	IC150	1203-005113	IC-SWITCH REG.;SPN030039Y,MSOP,10P,3x3mm	1	SA	

5. Exploded View & Part List

Level	Location No.	Code No.	Description & Specification	Q'ty	SA/SNA	Remark
....4		1203-005279	IC-DC/DC CONVERTER;MP2372DN,SOP,8P,4.9x3	2	SA	
....4	T0170	1203-005463	IC-SWITCH VOL. REG.;MIC2605YML,MLF,8P,2x	1	SA	
....4		1204-002999	IC-DECODER;SEMS12-LF,LFBGA,375P,21x21mm,	1	SA	
....4		1205-003201	IC-BUS SWITCH;TC7WB125FK,SSOP,8P,2x2.3mm	2	SA	
....4		1205-003479	IC-SWITCH;TPS2051BDBVR,SOT-23,5P,2.9x1.6	2	SA	
....4		1405-001233	VARISTOR;30Vdc,5A,1.6x0.8x0.8mm,TP	14	SA	
....4	PR4	2007-000052	R-CHIP;10Kohm,1%,1/10W,TP,1608	2	SNA	
....4	KAR13	2007-000060	R-CHIP;100Kohm,1%,1/10W,TP,1608	2	SNA	
....4	KR24	2007-000067	R-CHIP;15Kohm,1%,1/10W,TP,1608	1	SNA	
....4	KAR21	2007-000070	R-CHIP;0ohm,5%,1/10W,TP,1608	11	SNA	
....4	CER02	2007-000071	R-CHIP;22ohm,5%,1/10W,TP,1608	4	SNA	
....4	PR6	2007-000072	R-CHIP;47ohm,5%,1/10W,TP,1608	4	SNA	
....4	AR30	2007-000074	R-CHIP;100ohm,5%,1/10W,TP,1608	9	SA	
....4	RR2	2007-000075	R-CHIP;220ohm,5%,1/10W,TP,1608	1	SA	
....4	AR158	2007-000077	R-CHIP;470ohm,5%,1/10W,TP,1608	3	SA	
....4	AR150	2007-000078	R-CHIP;1Kohm,5%,1/10W,TP,1608	8	SA	
....4	R329	2007-000081	R-CHIP;2.7Kohm,5%,1/10W,TP,1608	1	SNA	
....4	CER04	2007-000084	R-CHIP;4.7Kohm,5%,1/10W,TP,1608	6	SA	
....4	MROP1	2007-000090	R-CHIP;10Kohm,5%,1/10W,TP,1608	18	SA	
....4	R3A08	2007-000091	R-CHIP;12Kohm,5%,1/10W,TP,1608	2	SNA	
....4	R637	2007-000096	R-CHIP;30Kohm,5%,1/10W,TP,1608	4	SA	
....4	ARR2	2007-000102	R-CHIP;100Kohm,5%,1/10W,TP,1608	1	SA	
....4	R1P151	2007-000121	R-CHIP;820ohm,5%,1/10W,TP,1608	1	SNA	
....4	R893B	2007-000122	R-CHIP;1.2Kohm,5%,1/10W,TP,1608	2	SNA	
....4	R105	2007-000138	R-CHIP;100ohm,5%,1/16W,TP,1005	26	SNA	
....4	AR49	2007-000140	R-CHIP;1Kohm,5%,1/16W,TP,1005	3	SNA	
....4	MR306	2007-000141	R-CHIP;2.2Kohm,5%,1/16W,TP,1005	3	SNA	
....4	R319	2007-000143	R-CHIP;4.7Kohm,5%,1/16W,TP,1005	16	SNA	
....4		2007-000146	R-CHIP;6.8Kohm,5%,1/16W,TP,1005	1	SNA	
....4	R104	2007-000148	R-CHIP;10Kohm,5%,1/16W,TP,1005	50	SNA	
....4	HDR2	2007-000151	R-CHIP;15Kohm,5%,1/16W,TP,1005	1	SNA	
....4	MR36	2007-000153	R-CHIP;22Kohm,5%,1/16W,TP,1005	7	SNA	
....4	AR43	2007-000155	R-CHIP;27Kohm,5%,1/16W,TP,1005	2	SNA	
....4	MR13	2007-000157	R-CHIP;47Kohm,5%,1/16W,TP,1005	3	SNA	
....4	R509	2007-000170	R-CHIP;1Mohm,5%,1/16W,TP,1005	1	SNA	
....4	R111	2007-000171	R-CHIP;0ohm,5%,1/16W,TP,1005	6	SNA	
....4	HDR17	2007-000172	R-CHIP;10ohm,5%,1/16W,TP,1005	1	SNA	
....4	R338	2007-000173	R-CHIP;22ohm,5%,1/16W,TP,1005	17	SNA	
....4	UR23	2007-000174	R-CHIP;47ohm,5%,1/16W,TP,1005	22	SNA	
....4	R38	2007-000640	R-CHIP;270ohm,1%,1/10W,TP,1608	2	SA	
....4	R726	2007-000695	R-CHIP;3.3ohm,5%,1/10W,TP,1608	5	SA	
....4		2007-000701	R-CHIP;3.6Kohm,1%,1/10W,TP,1608	1	SNA	
....4	R19	2007-000763	R-CHIP;330ohm,1%,1/10W,TP,1608	1	SNA	
....4	HR13	2007-000821	R-CHIP;390ohm,1%,1/10W,TP,1608	1	SNA	
....4	ZR16	2007-000839	R-CHIP;39ohm,5%,1/10W,TP,1608	1	SA	
....4	AR61	2007-000869	R-CHIP;4.7Kohm,1%,1/10W,TP,1608	1	SNA	
....4	DR37	2007-000932	R-CHIP;470ohm,5%,1/16W,TP,1005	4	SNA	
....4	AR42	2007-000939	R-CHIP;47Kohm,1%,1/10W,TP,1608	1	SA	
....4	R3508	2007-001038	R-CHIP;56Kohm,1%,1/10W,TP,1608	1	SA	
....4	AR161	2007-001167	R-CHIP;75ohm,5%,1/10W,TP,1608	3	SNA	
....4	R740	2007-001217	R-CHIP;82ohm,5%,1/16W,TP,1005	1	SNA	

5. Exploded View & Part List

Level	Location No.	Code No.	Description & Specification	Q'ty	SA/SNA	Remark
....4		2007-001285	R-CHIP;5.6ohm,5%,1/16W,TP,1005	2	SA	
....4	OTR1	2007-001292	R-CHIP;33ohm,5%,1/16W,TP,1005	20	SNA	
....4	DR43	2007-001298	R-CHIP;51ohm,5%,1/16W,TP,1005	1	SNA	
....4	AR30	2007-001306	R-CHIP;150ohm,5%,1/16W,TP,1005	2	SA	
....4	R326	2007-001325	R-CHIP;3.3Kohm,5%,1/16W,TP,1005	3	SNA	
....4		2007-001333	R-CHIP;18Kohm,5%,1/16W,TP,1005	7	SNA	
....4	R1	2007-002425	R-CHIP;1ohm,5%,1/10W,TP,1608	3	SNA	
....4	ER19	2007-002899	R-CHIP;10ohm,1%,1/10W,TP,1608	1	SA	
....4		2007-002900	R-CHIP;11Kohm,1%,1/10W,TP,1608	1	SA	
....4		2007-002906	R-CHIP;200Kohm,1%,1/10W,TP,1608	2	SA	
....4		2007-002915	R-CHIP;4.02Kohm,1%,1/10W,TP,1608	1	SA	
....4	TR30	2007-007009	R-CHIP;75ohm,5%,1/16W,TP,1005	16	SNA	
....4	R365	2007-007107	R-CHIP;100Kohm,1%,1/16W,TP,1005	4	SNA	
....4	DR4	2007-007142	R-CHIP;10Kohm,1%,1/16W,TP,1005	5	SNA	
....4		2007-007156	R-CHIP;1ohm,5%,1/16W,TP,1005	1	SNA	
....4		2007-007297	R-CHIP;110ohm,1%,1/10W,TP,1608	1	SA	
....4		2007-007318	R-CHIP;1Kohm,1%,1/16W,TP,1005	5	SNA	
....4		2007-007319	R-CHIP;390ohm,1%,1/16W,TP,1005	1	SNA	
....4	DR157	2007-007650	R-CHIP;274ohm,1%,1/10W,TP,1608	1	SA	
....4	R8	2007-007721	R-CHIP;560ohm,1%,1/10W,TP,1608	1	SA	
....4		2007-007791	R-CHIP;9.1Kohm,1%,1/16W,TP,1005	2	SNA	
....4	DRP29	2011-000515	R-NETWORK;4.7Kohm,5%,1/16W,L,CHIP,8P,TP,	1	SA	
....4	DRP9	2011-000585	R-NETWORK;47ohm,5%,1/16W,L,CHIP,8P,TP,3.	1	SA	
....4		2011-000651	R-NETWORK;10ohm,5%,1/16W,L,CHIP,8P,TP,32	6	SA	
....4	PRN7	2011-001011	R-NETWORK;10Kohm,5%,1/16W,L,CHIP,8P,TP,3	2	SA	
....4	RP102	2011-001087	R-NETWORK;75ohm,5%,1/16W,L,CHIP,8P,TP,3.	4	SA	
....4	MR38	2011-001093	R-NETWORK;100ohm,5%,1/16W,L,CHIP,8P,TP,3	5	SA	
....4	ZRN10	2011-001261	R-NETWORK;33ohm,5%,1/16W,L,CHIP,8P,TP,2.	1	SA	
....4	DAR09	2011-001262	R-NETWORK;22ohm,5%,1/16W,L,CHIP,8P,TP,2.	20	SA	
....4	AC1	2203-000125	C-CER,CHIP;1.2nF,10%,50V,X7R,TP,1608,-	4	SA	
....4	AD480	2203-000181	C-CER,CHIP;100nF,+80-20%,25V,Y5V,TP,2012	1	SA	
....4	AC14	2203-000189	C-CER,CHIP;100nF,+80-20%,25V,Y5V,1608	8	SNA	
....4	AD480	2203-000221	C-CER,CHIP;100nF,20%,50V,Y5V,TP,3216	1	SA	
....4	PC43	2203-000233	C-CER,CHIP;0.1nF,5%,50V,C0G,TP,1005	2	SA	
....4	C258	2203-000236	C-CER,CHIP;0.1nF,5%,50V,C0G,1608	4	SA	
....4	C134	2203-000257	C-CER,CHIP;10nF,10%,50V,X7R,TP,1608	2	SA	
....4	DC2	2203-000330	C-CER,CHIP;.012nF,5%,50V,C0G,TP,1005	2	SA	
....4	C304	2203-000405	C-CER,CHIP;0.18nF,5%,50V,C0G,1608	1	SNA	
....4	C254	2203-000438	C-CER,CHIP;1nF,10%,50V,X7R,TP,1005	11	SA	
....4	AC139	2203-000491	C-CER,CHIP;2.2nF,10%,50V,X7R,1608	4	SA	
....4	V1233	2203-000575	C-CER,CHIP;220nF,10%,25V,X7R,TP,2012	2	SNA	
....4	ZC14	2203-000626	C-CER,CHIP;0.022nF,5%,50V,C0G,1608	3	SNA	
....4	JC31	2203-000715	C-CER,CHIP;3.3nF,10%,50V,X7R,1608	3	SNA	
....4	CK40B	2203-000838	C-CER,CHIP;0.39nF,5%,50V,C0G,TP,1608	4	SA	
....4	AAC14	2203-000888	C-CER,CHIP;4.7nF,10%,50V,X7R,TP,1608	3	SA	
....4	AD480	2203-000979	C-CER,CHIP;47nF,10%,50V,X7R,TP,2012	2	SNA	
....4	C371	2203-001071	C-CER,CHIP;0.056nF,5%,50V,C0G,TP,1608	1	SNA	
....4	C3A09	2203-001103	C-CER,CHIP;6.8nF,10%,50V,X7R,TP,1608	2	SA	
....4	KAC5	2203-001126	C-CER,CHIP;0.68nF,10%,50V,X7R,1608	1	SNA	
....4	AD480	2203-001412	C-CER,CHIP;0.03nF,5%,50V,NP0,TP,1005	8	SNA	
....4	C3A21A	2203-001554	C-CER,CHIP;1.8nF,10%,50V,X7R,1608	1	SA	

5. Exploded View & Part List

Level	Location No.	Code No.	Description & Specification	Q'ty	SA/SNA	Remark
....4	MC22R	2203-001596	C-CER,CHIP;2200nF,+80-20%,50V,Y5V,2012	3	SA	
....4	AVC51	2203-001598	C-CER,CHIP;2200nF,+80-20%,16V,Y5V,2012	7	SNA	
....4	AD480	2203-002285	C-CER,CHIP;10nF,10%,50V,X7R,1005	5	SNA	
....4	AD480	2203-002525	C-CER,CHIP;0.56nF,10%,50V,X7R,TP,1005	6	SNA	
....4	DC108	2203-005005	C-CER,CHIP;100nF,10%,16V,X7R,1608	3	SC	
....4	C100	2203-005065	C-CER,CHIP;1000nF,+80-20%,10V,Y5V,1608	8	SNA	
....4	AAC1	2203-005249	C-CER,CHIP;100nF,10%,50V,X7R,TP,1608	14	SNA	
....4	C410	2203-005384	C-CER,CHIP;4700nF,+80-20%,10V,Y5V,TP,201	4	SNA	
....4	AD480	2203-005809	C-CER,CHIP;1000nF,10%,16V,X7R,TP,2012	3	SC	
....4	EC9	2203-005834	C-CER,CHIP;22000nF,+80-20%,10V,Y5V,3216	13	SA	
....4	AD480	2203-006126	C-CER,CHIP;47nF,10%,16V,X7R,TP,1005	10	SNA	
....4	PC11	2203-006141	C-CER,CHIP;1000nF,10%,16V,X5R,1608	7	SNA	
....4	C102	2203-006158	C-CER,CHIP;100nF,10%,16V,X7R,1005	57	SNA	
....4	AD480	2203-006336	C-CER,CHIP;10000nF,10%,25V,X5R,3216	14	SA	
....4	C125	2203-006361	C-CER,CHIP;10000nF,10%,10V,X5R,TP,2012	16	SC	
....4	AD480	2203-006399	C-CER,CHIP;1000nF,10%,6.3V,X5R,1005	2	SA	
....4	AD480	2203-006681	C-CER,CHIP;100nF,+80-20%,25V,Y5V,1005	2	SNA	
....4	AD480	2203-007176	C-CER,CHIP;10000nF,10%,16V,X5R,TP,2012 (26	SNA	
....4		2503-001051	C-NETWORK;100nFx4,20%,16V,2012	13	SA	
....4	VL6	2703-000398	INDUCTOR-SMD;10uH,10%,3225	3	SA	
....4	T0052	2703-001334	INDUCTOR-SMD;1.5uH,10%,2012	1	SA	
....4	L507	2703-002722	INDUCTOR-SMD;22uH,20%,12x12mm	1	SA	
....4	T0052	2703-002809	INDUCTOR-SMD;1.2uH,20%,7070	1	SA	
....4	T0052	2703-002916	INDUCTOR-SMD;10uH,20%,8080	2	SNA	
....4	T0052	2704-000018	INDUCTOR-SMD-ARRAY;15uH,2000mA,2,0.124oh	2	SA	
....4	X202	2801-003326	CRYSTAL-SMD;24MHZ,30PPM,28-ABX,20PF,50OH	1	SA	
....4	X202	2801-003773	CRYSTAL-SMD;12MHZ,30ppm,28-AAN,20pF,50oh	1	SA	
....4	L2011	3301-001145	BEAD-SMD;60ohm,4516,TP,70ohm/45MHz,82ohm	2	SA	
....4	T0568	3301-001163	BEAD-SMD;80ohm,2012,TP,192ohm/867MHz	1	SNA	
....4	T0568	3301-001404	BEAD-SMD;30ohm,2012,TP,15.9OHM/30MHz	27	SA	
....4	T0568	3301-001407	BEAD-SMD;30ohm,1608,300mA,TP,,0.4ohm	3	SNA	
....4	T0568	3301-001560	BEAD-SMD;80ohm,1.6X0.8X0.8mm,200mA,TP,,	8	SNA	
....4	T0568	3301-001594	BEAD-SMD;90ohm,2.0*1.2*1.3mm,TP,-,-	10	SNA	
....4		3601-001374	FUSE-SURFACE MOUNT;32V,5A,FAST-ACTING,Hi	1	SNA	
....4	AC510	3708-001150	CONNECTOR-FPC/FFC/PIC;30P,1mm,SMD-A,SN,Y	1	SA	
....4		3711-005503	HEADER-BOARD TO CABLE;BOX,9P,1R,2mm,SMD-	1	SA	
....4	T0077	BN41-01245A	PCB MAIN;ECOFIT-MFM REFRESH,FR-4,1.2T,19	1	SNA	
....4		BN97-03549A	ASSY MICOM-MAIN;LS22EMDKU/EN,BN41-01051A	1	SNA	
....5	IC115	1107-001777	IC-FLASH MEMORY;MX25L6405DMI-12G,64Mbit,	1	SA	
....4		BN97-03549B	ASSY MICOM-SUB;LS22EMDKU/EN,BN41-01051A	1	SNA	
....5	IC520	0903-001552	IC-MICROCONTROLLER;WT61P8-RG480WT,LQFP,4	1	SNA	
....4		0401-001049	DIODE-SWITCHING;LS4148,75V,150mA,SOD-80,	2	SA	
....4		2007-007942	R-CHIP;1Mohm,1%,1/16W,TP,1005	1	SNA	
....4		3701-001591	CONNECTOR-HDMI;19P,2ROW,FEMALE,SMD-S,AU	1	SNA	
....4		2007-007096	R-CHIP;160ohm,5%,1/16W,TP,1005	1	SNA	
...3	T0066	BP62-00017A	HEAT SINK-ES;SP-50L2HX,A6063S,T2.0,26.2,	1	SNA	
...3	T0066	BP62-00047A	HEAT SINK-ES;DLP,A6063S,T2.5,13,13,TAPE	2	SNA	
...3	JA333	3722-002702	JACK-PIN;3P,Ni,GRN/BLU/RED,STRAIGHT	1	SA	
...3	JA333	3722-002781	JACK-PIN;2P(Shield),Ni,WHT/RED,straight	1	SA	
..2	M0006	BN96-11501A	ASSY SHIELD P-COVER;LS22EM (MFM),SECC T0	1	SNA	
...3	T0139	6502-000135	CABLE CLAMP;DAWS-2NA,ID10,NTR,NYLON66	2	SC	

5. Exploded View & Part List

Level	Location No.	Code No.	Description & Specification	Q'ty	SA/SNA	Remark
...3	M0131	BH63-00104A	GASKET;POSEIDON,CONDUCTIVE FABRIC,2MM,10	1	SNA	
...3		BN61-02429C	STUD-PEM;PNB,M2.8,D7,L10,ZPC(SIL),SUM24L	2	SNA	
...3		BN61-02429D	STUD-PEM;PNB,M2.8,D7,L20,ZPC(SIL),SUM24L	2	SNA	
...3	M0909	BN63-04498A	GASKET;PN40A450P1D,Polyurethane Sponge,1	1	SNA	
...3	T0073	BN63-04800A	GASKET-EMI;T-MFM,Fabric Type,1.5mm,20mm,	1	SNA	
...3	M0107	BN63-05802A	SHIELD-COVER;ECOFIT MFM 21.6,SECC,T 0.8	1	SNA	
..2	M0251	BN96-08740H	ASSY CABLE P;ECOFIT-MFM 21.5,FFC,SJ09-01	1	SA	
..2	T0562	6046-001014	STAND OFF;#4-40,L6,NI PLT,C3601	4	SNA	
..2	CCMM1	BN73-00210A	SILICON/RUBBER;UE40B7000WWXXC,SILICON+PO	1	SNA	
..2	M0909	AA63-01388A	GASKET-EMI,SPONGE;SP-P300M,Conductive Fa	1	SNA	
0.1		BN91-04245A	ASSY SHIELD;LS22EM (MFM)	1	SNA	
..2		BN81-01805C	A/S-TAPE-FILAMENT;ELMATIT,T0.1,W12,L1200	0.06	SNA	
0.1		BN92-05070J	ASSY BOX;LS22EMDKU/EN	1	SNA	
..2		BN69-03912A	BOX-02,SET;P2270HD,CB,A-01,SW2, ECT40,YE	1	SNA	
..2	M0245	BN96-02895A	ASSY MISC P-01,HANDLE PACKING;ALL MODEL,	1	SNA	
...3		BN66-00007A	LEVER-TOP;ALL MODEL,LDPE,WHITE,5.8g	1	SNA	
...3		BN66-00008A	LEVER-BOTTOM;ALL MODEL,LDPE,WHITE,4.01g	1	SNA	
..2		BH68-00625V	LABEL BOX-00;ALL MODEL,MOJO 90G,90,95,WH	1	SNA	
0.1		BN92-05144A	ASSY P/MATERIAL;LS22EM,W/W,ECOFIT-MFM 22	1	SNA	
..2	T0524	6902-000520	BAG PE;HDPE/NITRON,T0.015/T0.5(DOUBLE),W	1	SNA	
..2		AA01-00004A	FOIL;2000,2000,NTR,SEH	1	SNA	
..2	T0527	BH68-40364A	LABEL-SUMMARY;G52,G72,ART,100G,WHT,BLK,W	1	SNA	
..2	T0527	BN68-00129A	LABEL SHIPPING-00;LABEL SHIPPING,ART-PAP	1	SNA	
..2		BN69-02115A	PAD PACKING-EDGE;- ,CB,B800,W200,L2400,- ,	1	SNA	
..2	T0246	BN69-03717A	CUSHION-SET;LS22EM(P2270HD),EPS,168g,18.	1	SNA	
..2		BN69-03934A	WRAP STRETCH FILM;All,HDPE,0.012,500,300	0.7	SNA	
..2		BN81-02321A	BAG-AIR;LIGHT FLEX PLASTIK,PE WHITE,L120	1	SNA	
..2		HA83-00057B	LP-TAPE-CELLULOSE;;HA02-030010,T0,046,W7	1.5	SNA	
..2		AA69-03835A	PAD-BOT EPE;CB,DW,605,215	1	SNA	
0.1		BN92-05206B	ASSY LABEL;LS23EMDKU/EN	1	SNA	
..2	CCM1	BN68-01570A	LABEL RATING;ALL,SS,PE,T0.05,90,45,Dark	1	SNA	
0.1	M0045	BN92-05381B	ASSY ACCESSORY;LS22EMDKF/EN	1	SNA	
..2	T0268	3903-000452	CBF-POWER CORD;DT,EU/KR,CP3,IEC320 C13,2	1	SA	
..2	M0114	BN39-00244G	CBF SIGNAL;D-sub cable,15P/15P,20276N,15	1	SA	
..2	T0074	BN59-00865A	REMOCON;DLP,CRT,TM940,EUROPE,39,92g	1	SA	
..2		BN68-02341B	MANUAL FLYER-PCT NOTICE;comm,Samsung,Eng	1	SNA	
..2	M0045	BN96-09352L	ASSY ACCESSORY;LS23EMDKU/EN	1	SA	
...3	T0120	4301-000121	BATTERY-MN;1.5V,R03,10.5x44.5m,HOLDER,7.	2	SNA	
...3		AA69-02656A	BAG ACCESSORY;PJT,LDPE,T0,05,L400,W280,	1	SNA	
...3		BH68-00633B	MANUAL FLYER-03,WARRANTY CARD;comm,Samsu	1	SNA	
...3	M0019	BH68-70448A	CARD-01;TFT LCD,SRC,RUSSIA,S/W,120,W210*	1	SNA	
...3	T0128	BN39-00061C	CBF SIGNAL-STEREO;Mckinley,1,male,1.5m,B	1	SA	
...3		BN59-00910C	S/W DRIVER-01,IB;P2270HD,P2370HD,Europe,	1	SNA	
...3	M9889	BN63-01798B	CLOTH-CLEAN;cloth,180,200,sea blue,ToC	1	SNA	
...3		BN68-00907D	MANUAL FLYER-WEEE BATTERY;COMM,SAMSUNG,2	1	SNA	
...3		BN68-00907F	MANUAL FLYER-00,WEE;comm,Samsung,23Lang,	1	SNA	
...3		BN68-02186A	MANUAL FLYER-TOC GUIDE;COMM,SAMSUNG,10 L	1	SNA	
...3		BN68-02214B	MANUAL FLYER-QSG;P2270HD,SyncMaster,19La	1	SNA	
...3	T0010	BN96-06529A	ASSY HOLDER P-WIRE;MCKINLEY,ABS HB,BK23	1	SNA	
....4		6902-000336	BAG ZIPPER;LDPE,T0.05,W70,L80,TRP,0.500g	1	SNA	
....4	M0114	BN61-03555A	HOLDER-WIRE;MCKINLEY,ABS HB,BK26	1	SNA	

5. Exploded View & Part List

Level	Location No.	Code No.	Description & Specification	Q'ty	SA/SNA	Remark
...3		BN68-02298B	LABEL-01,STICKER;CIS,T0.05,90,40,CIS Cal	1	SNA	
...3		BN68-01925F	MANUAL FLYER-WARRANTY CARD;comm,Samsung,	1	SNA	
..2	STD	BN96-09628B	ASSY STAND P-BODY;ECOFIT,PC	1	SA	
...3	T0069	BN60-00119B	SPACER-FELT;ECOFIT 23"(P2370),FELT,L145,	1	SNA	
...3		BN61-05095A	STAND-BAR;P2370, ECOFIT 23",PC CLEAR,TP3	1	SNA	
....4		BN61-05094A	STAND-BAR IN;P2370, ECOFIT 23",PC CLEAR,	1	SNA	
....4		BN61-05410A	STAND-BAR A;ECOFIT, LB650 19",22",PC BLU	1	SNA	
.....5		BN61-02932E	BRACKET-STOPPER NUT;ECOFIT 20,M4,D8,L12,	1	SNA	
...3	CCM1	BN63-02183D	COVER-SHEET;Rhcm,PE Vinyl,T0.05,680mm,20	0.1	SNA	
...3		BN68-02304D	LABEL-STICKER;WW,T0.05,50,10,ECOFIT 20"~	1	SNA	
..2	M0027	BN96-09629A	ASSY STAND P-BASE;ECOFIT,ABS HB,BK23(H/G	1	SA	
...3	M0081	6003-001001	SCREW-TAPTYPE;FH,+,B,M3,L8,ZPC(BLK),SWRC	4	SNA	
...3	CIS4	BN61-01717A	HOLDER-STAND;BIZET,NI PLT,CH,+,M4,L11(5)	1	SNA	
...3		BN61-05087A	BRACKET-STAND BOTTOM;ECOFIT 23",SECC T0.	1	SNA	
...3	M0111	BN63-05425A	COVER-STAND BASE;ECOFIT 23",ABS,HB,BK23,	1	SNA	
...3	AR011	BN73-00077A	RUBBER FOOT;MATISSE,BUMPON,#13.5,T2.0,60	4	SNA	
...3	CCM1	BN63-02183D	COVER-SHEET;Rhcm,PE Vinyl,T0.05,680mm,20	0.25	SNA	
...3		BN68-02009B	MANUAL FLYER-STAND;Ecofit,Lavender,Mojo	1	SNA	
...3		BN68-02304C	LABEL-STICKER;WW,T0.05,50,10,LAVERDER 19	1	SNA	