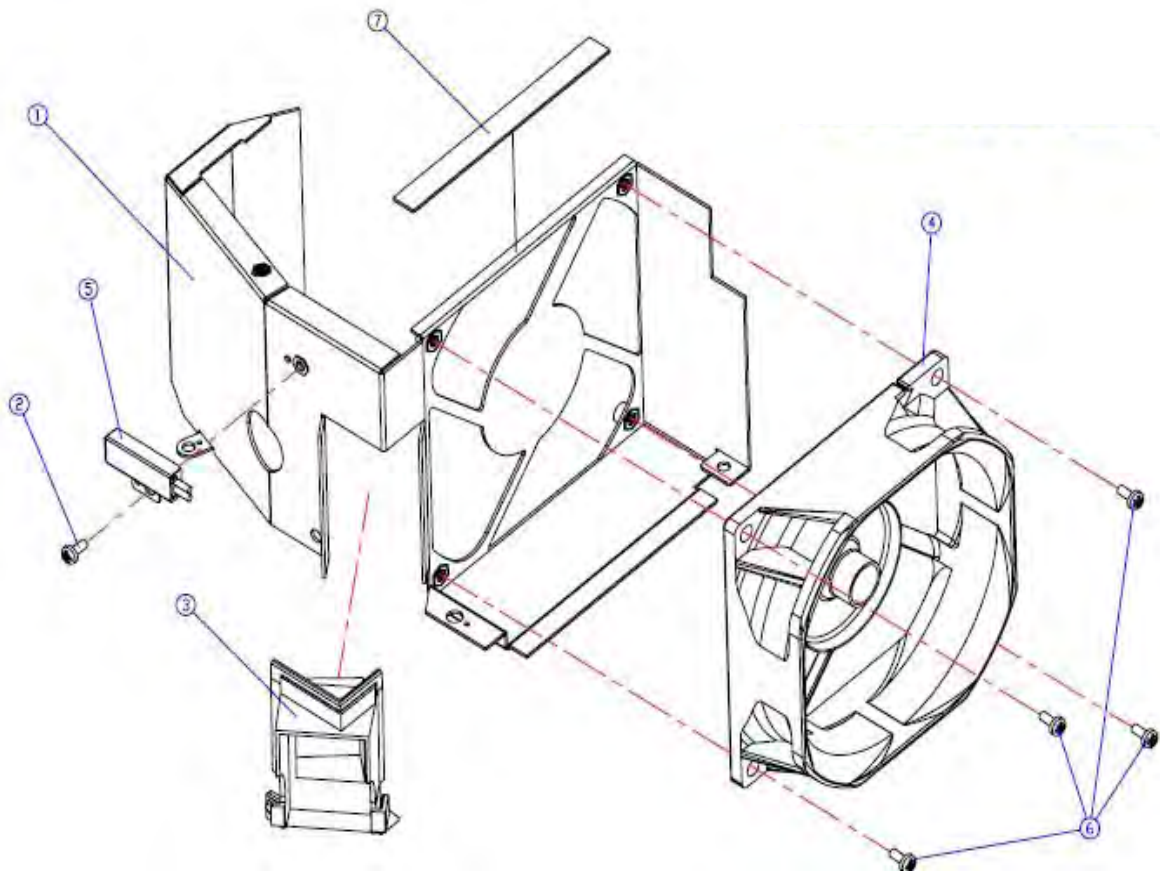


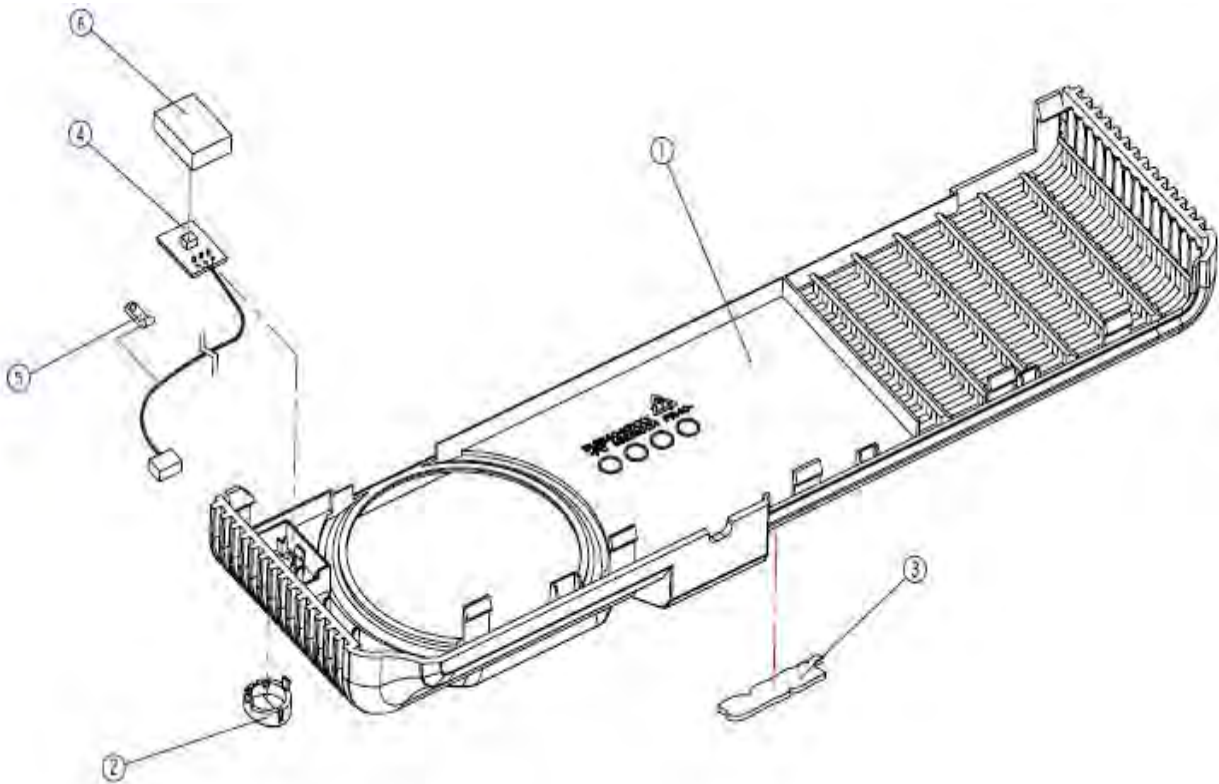
# Appendix A

## ASSY FAN SHIELD DING MODULE



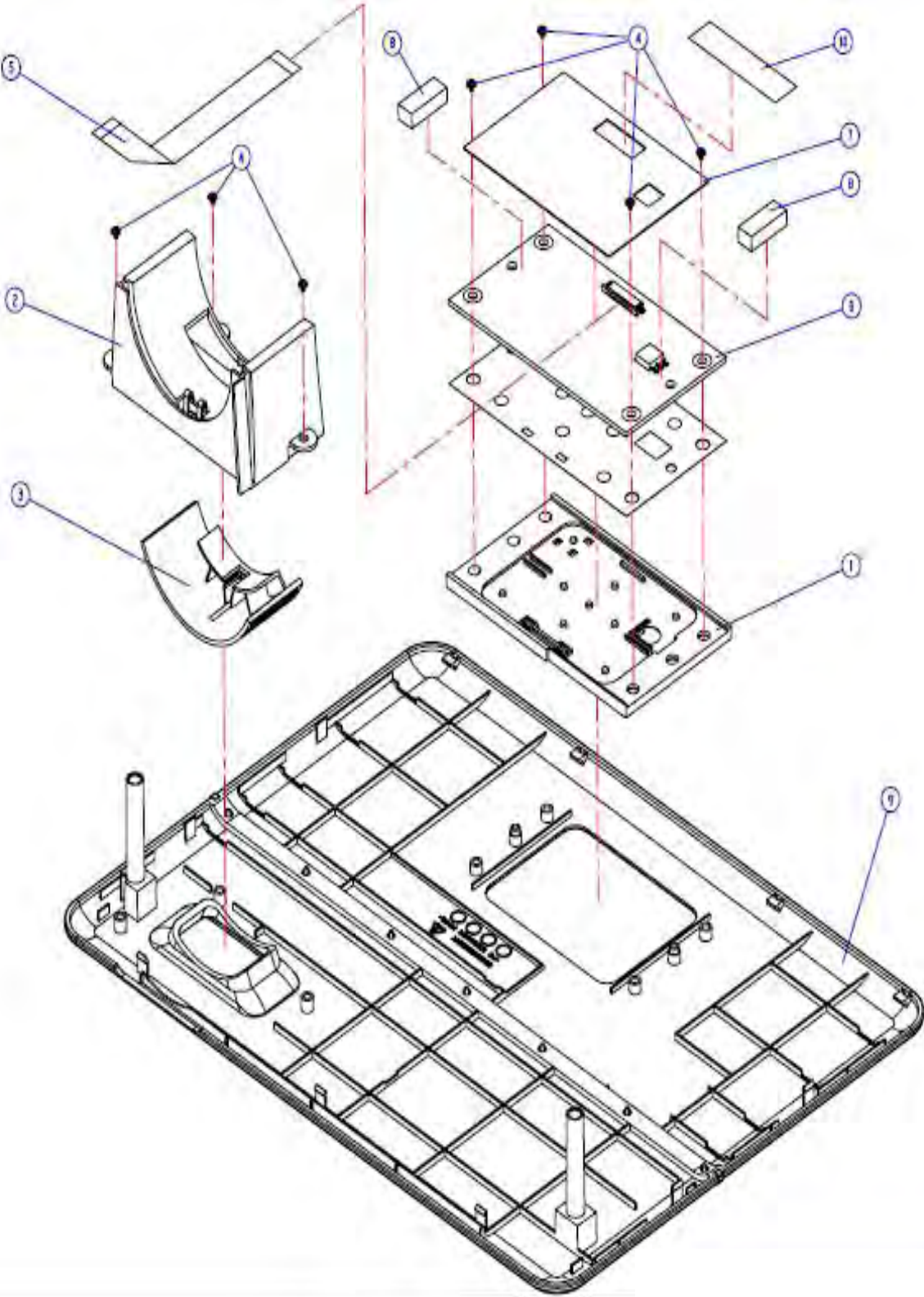
ITEM	PART NO.	DESCRIPTION	SUPPLY PARTS
	70.8BA18GR01	ASSY FAN MODULE P1266(SERVICE)	V
1	61.8BA04G002	FAN SHIELDING P1166	
2	85.0A123G050	SCREW P/F MECH M3*5 Ni	
3	52.8BA05G001	LAMP BLOWER RUBBER P1266	
4	49.8BA01G001	SUNON 80*25MM AXIAL FAN (125C	
5	43.8BB01G001	THERMAL SWITCH WITH BRACET	V
6	85.1A323G080	SCREW PAN MECH M3*8 BLACK "GRE	
7	41.82V10G001	EMIGASKETW6*H2*L72.5mm PD120	

# ASSY FRONT COVER MODULE



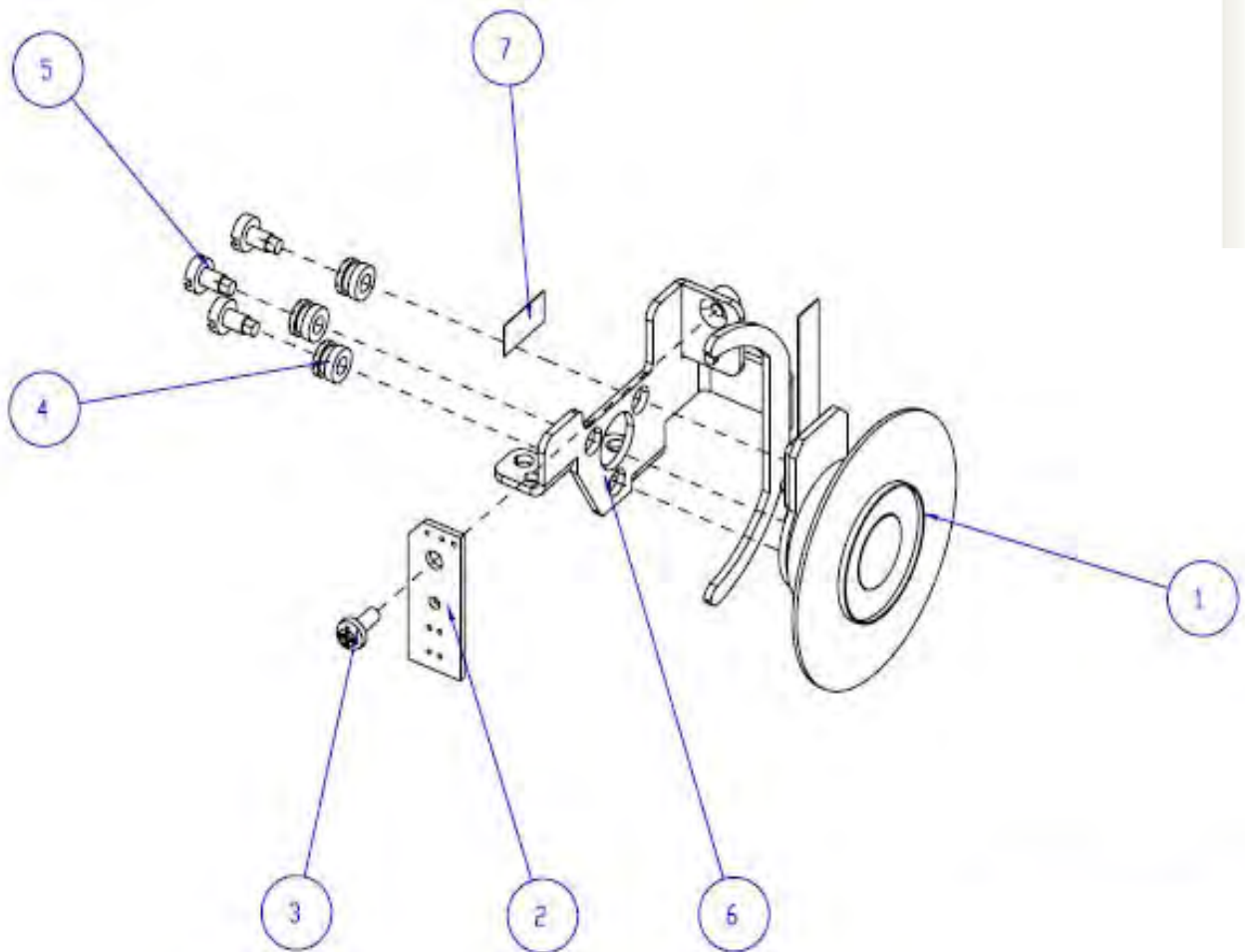
ITEM	PART NO.	DESCRIPTION	SUPPLY PARTS
	70.8BA20GR01	ASSY FRONT COVER MODULE P1266(SERVICE)	V
1	51.8BA04G002	FRONT COVER P1166	
2	51.87H09G001	FRONT IR LENS XD1171D	
3	61.8BA12G001	ACER LOGO P1266	
4	80.87M05G001	PCBA IR SENSOR BD FOR EP761	V
5	61.00079G001	GROUNDING CABLE CLAMP FN-008	
6	51.8BA21G001	IR MYLAR P1266	

# ASSY TOP COVER MODULE



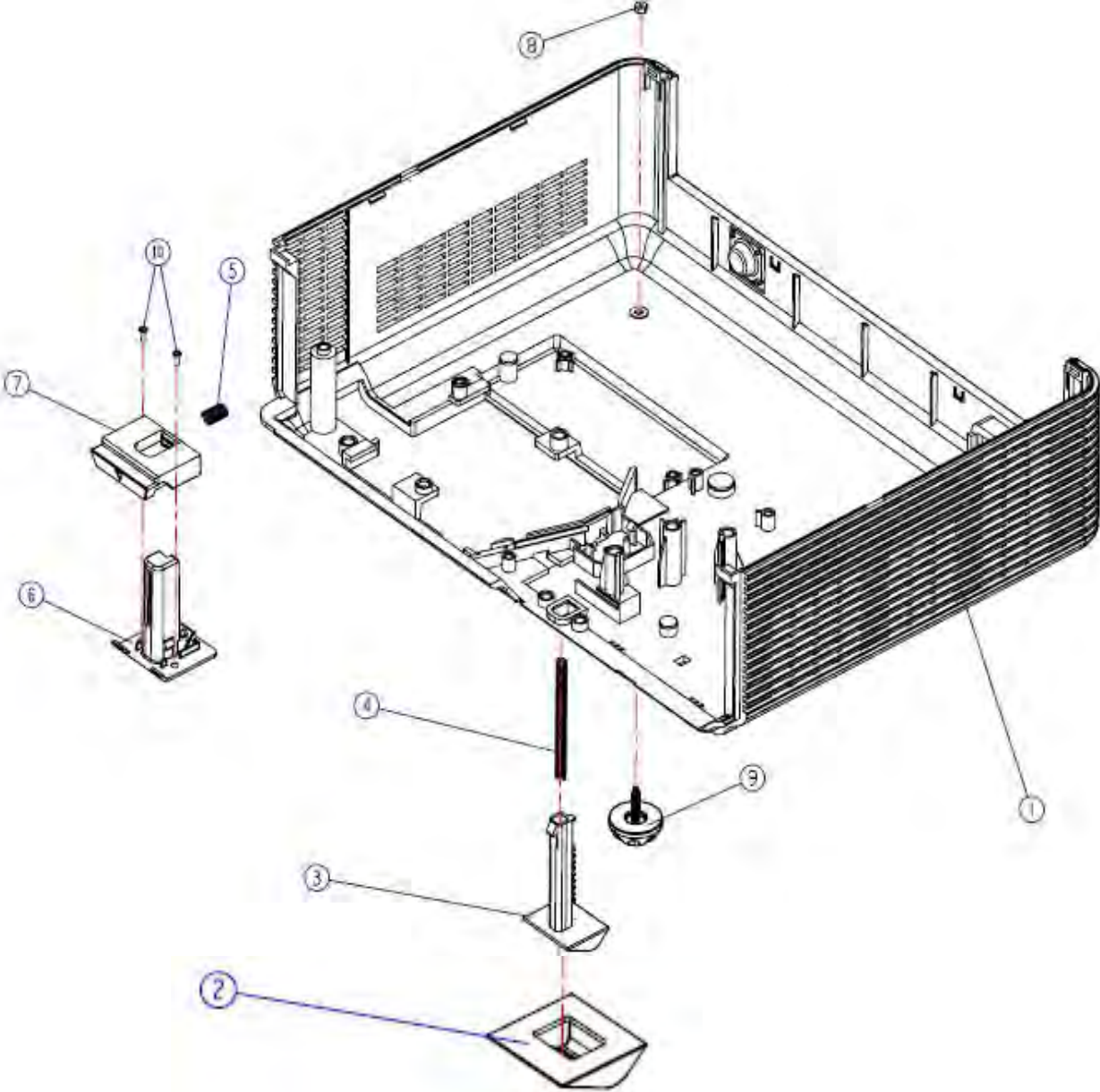
ITEM	PART NO.	DESCRIPTION	SUPPLY PARTS
	70.8BA21GR01	ASSY TOP COVER MODULE P1266(SERVICE)	V
1	51.8BA16G002	KEYPAD MODULE P1166	
2	51.8BA11G002	ZOOM RING HOLDER P1166	
3	51.8BA12G002	ZOOM RING P1166	
4	85.YA123G040	SCREW(TAPPING FLAT HEAD NI M3*	
5	42.00303G011	FFC KEYPAD TO M/B 24P P=0.5 11	V
6	80.8BA03G001	PCBA KEYPAD BD FOR P1266	
7	51.8BA18G002	KEYPAD MYLAR P1166	
8	41.83F21G001	GASKET /W*5,H*1.5,L*15	
9	75.8BA04G002	ASSY TOP COVER MODULE P1166	
10	51.81541G001	TAPE 3M J350 17*30MM	

# ASSY COLOR WHEEL MODULE



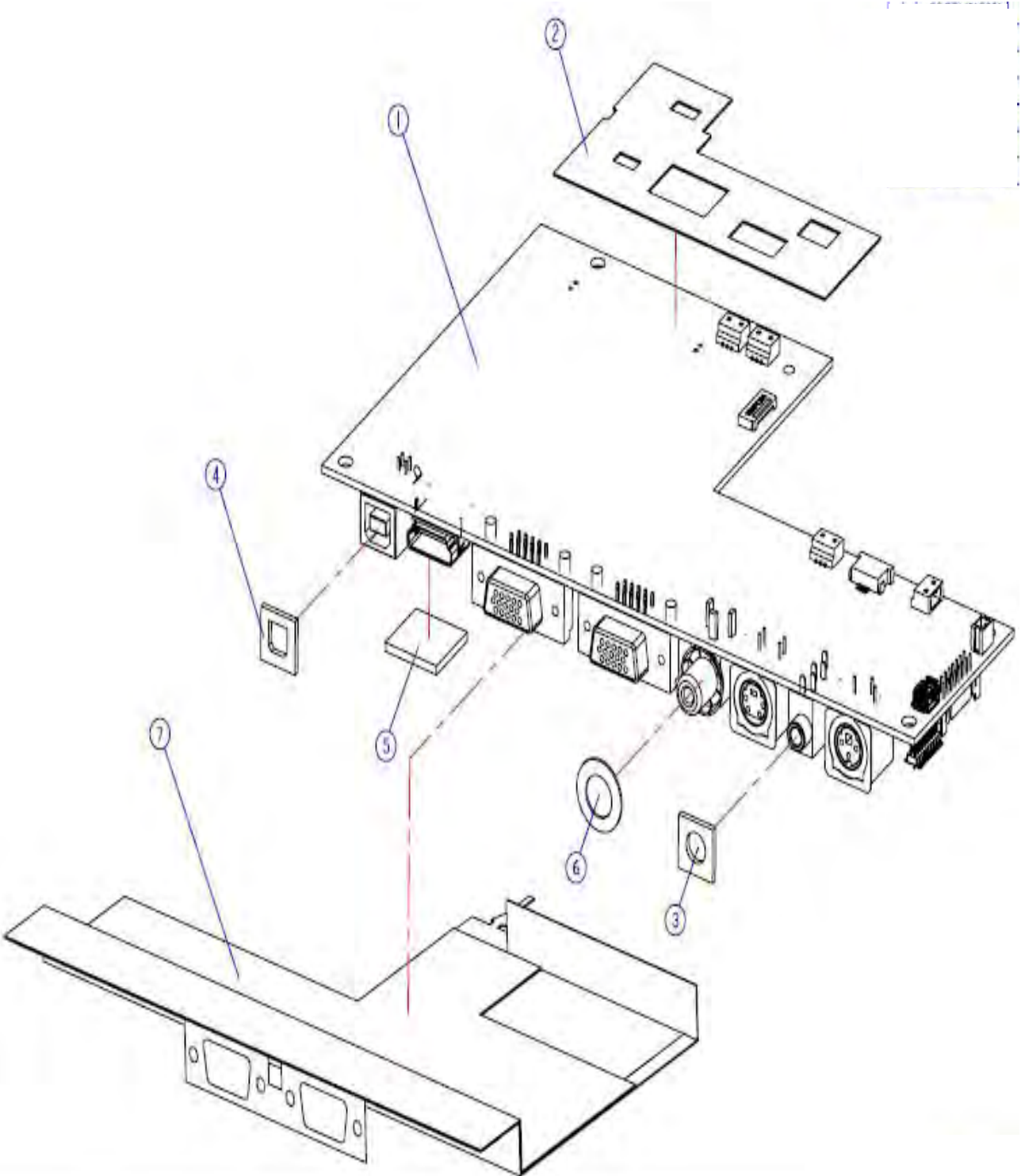
ITEM	PART NO.	DESCRIPTION	SUPPLY PARTS
	70.8BA15GR01	ASSY COLOR WHEEL MODULE P1266(SERVICE)	V
1	23.8BA19G001	COLOR WHEEL YO 6SCW R85Y37G90C	
2	80.87Y04G001	PCBA PHOTO SENSOR BOARD FOR PD7280	V
3	85.1A126G040	SCREW PAN MECH M2.6*4 Ni	
4	52.83615G001	COLOR WHEEL DISC RUBBER, EzPro755	
5	61.83628G001	COLOR WHEEL SHOULDER SCREW,EzPro755	
6	61.88N10G001	COLOR WHEEL HOLDER SECC,X15	
7	51.82Y29G001	TAPE 3M J350 10*5mm FOR COLOR WHEEL DP715	

# ASSY BOTTOM COVER MODULE



ITEM	PART NO.	DESCRIPTION	SUPPLY PARTS
	70.8BA14GR01	ASSY BOTTOM COVER MODULE P1266(RMA)	V
1	75.8BA03G002	ASSY BOTTOM COVER FOR K-LOCK P1166	
2	52.8BA03G002	ELEVATOR FOOT P1166	
3	51.8BA10G002	ELEVATOR FOOT PLASTIC P1166	V
4	61.86814G001	ELEVATOR EXTEND SPRING PD120	
5	61.85913G001	ELEVATOR SPRONG SUS304 EP910	
6	51.86810G071	ELEVATOR HOLDER PC+ABS C6200 E	
7	51.8BA09G002	ELEVATOR PUSH BUTTON P1166	V
8	86.00122G015	NUT HEX M2.0*0.4P L15 Ni	
9	52.8BA02G001	ADJUST FOOT P1266	
10	85.1A326G040	SCREW PAN MECH M2.6*4 BLACK	

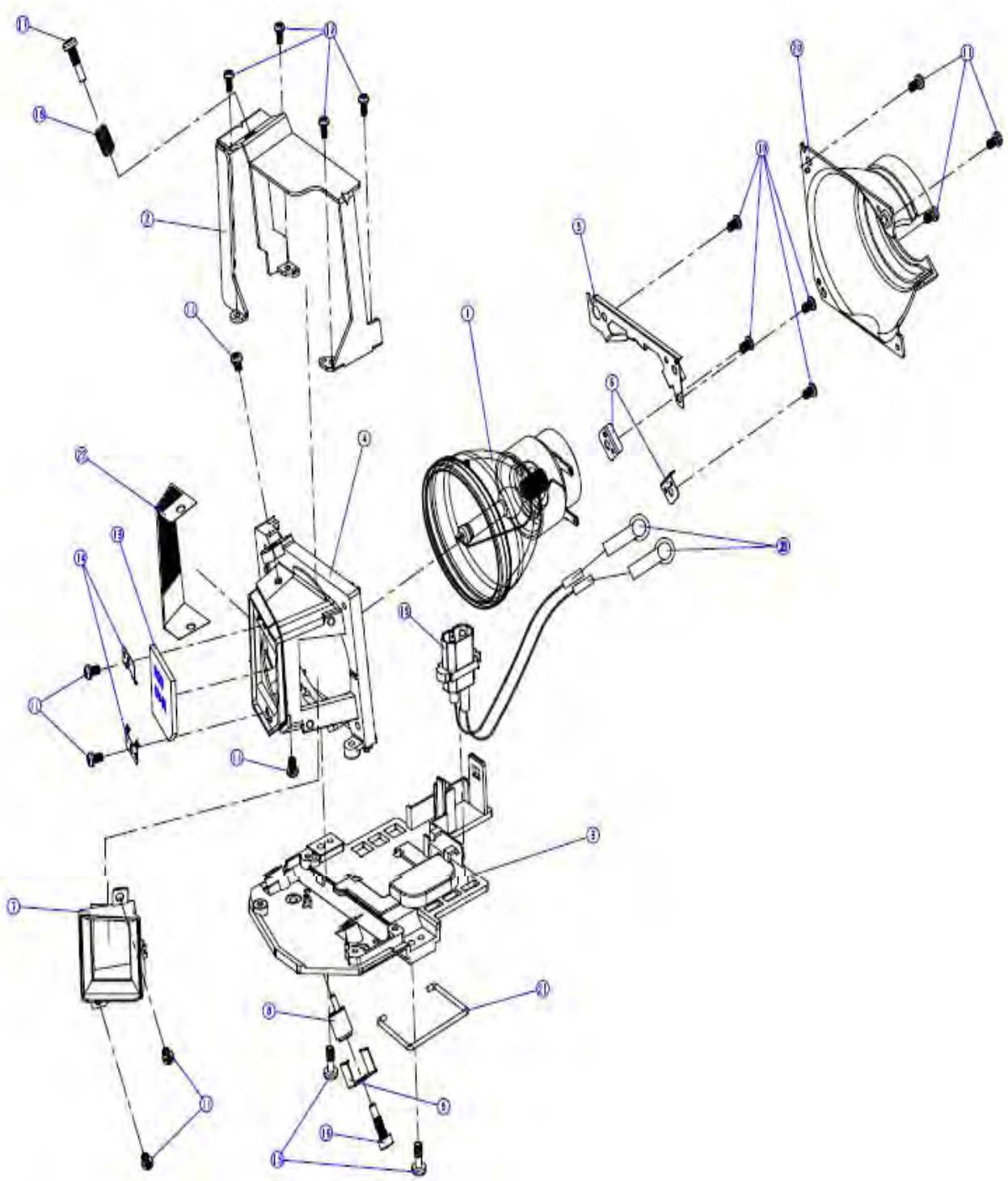
# ASSY MAIN BOARD MODULE





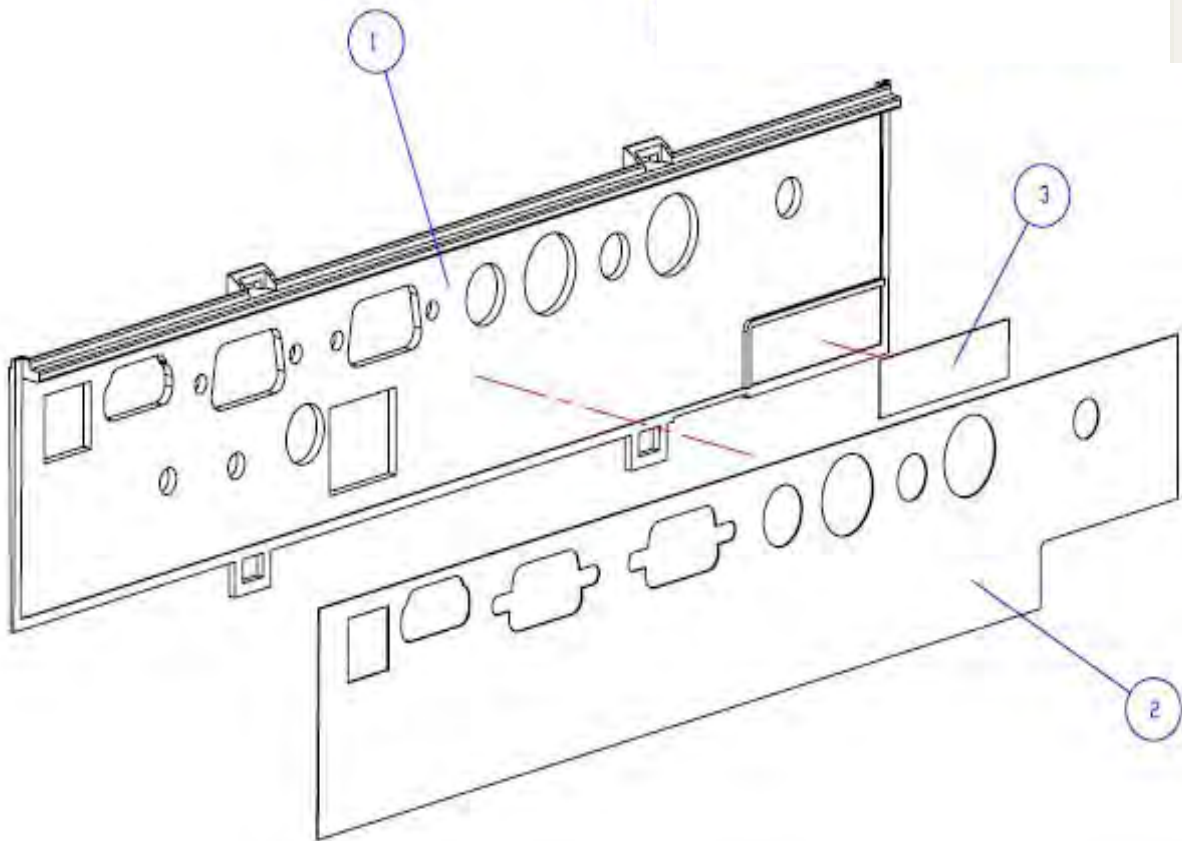
ITEM	PART NO.	DESCRIPTION	SUPPLY PARTS
	70.8BE06GR01	ASSY MAIN BOARD MODULE P1166(SERVICE)	V
	70.8BA17GR01	ASSY MAIN BOARD MODULE P1266(SERVICE)	V
1	80.8BA01G001	PCBA MAIN BD FOR P1266	
1	80.8BE01G001	PCBA MAIN BD FOR P1166	
2	51.8BA19G002	MB TOP MYLAR P1166	
3	41.85E06G002	GASKET W13xH*0.35xL13xMM	
4	41.82G03G003	EMI GASKET USB CONNECTOR W14*	
5	41.82A03G001	BOTTOM COVER EMI GASKET LT20	
6	61.8AE02G001	EMI SPRING HD71	
7	51.8BA20G001	MB MYLAR P1266	

# ASSY LAMP MODULE



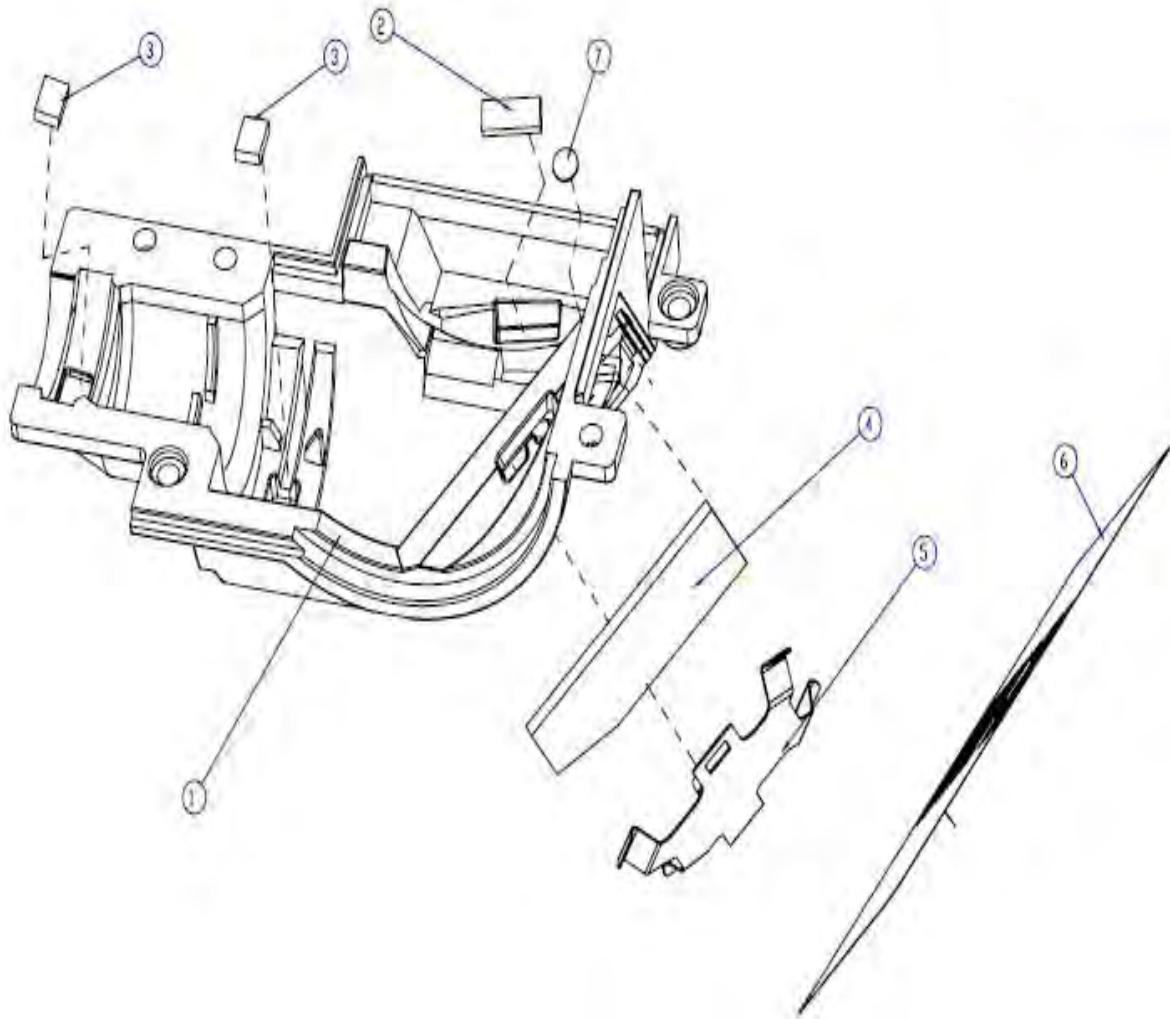
ITEM	PART NO.	DESCRIPTION	SUPPLY PARTS
	SP.8BE01GC01	LAMP MODULE FOR PROJECTOR P1166/P1266	V
1	23.8BA15G001	LAMP E20.8 180W OSRAM	
2	61.8BA05G002	LAMP TOP HOLDER P1166	
3	51.8BA14G002	LAMP BOTTOM BASE P1270	
4	61.8BA01G001	LAMP HOLDER E20.8 P1266	
5	61.8BA06G001	LAMP CLAMP TOP P1266	
6	61.8BA07G001	LAMP CLAMP BOTTOM P1266	
7	61.8BA11G001	LAMP BLOWER CONNECTOR P1266	
8	61.8BA08G001	LAMP TOOL ROTATION P1266	
9	61.8BA09G001	LAMP TOOL ROTA COVER P1266	
10	85.0A126G040	SCREW DOUBLE FLAT MECH M2.6*4Ni	
11	85.1A626G040	SCREW PAN MECH M2.6*4 BLACK NYLOK	
12	85.1A522G050	SCREW PAN MECH M2*5 Ni NYLOK	
13	23.88N10G001	UV-IR 24*25*2mm(5*5mm cut)_Add Dot ink mark-Oerlikon	
14	61.80L06G001	UVIR SPRING PLATE SUS301 80L	
15	61.00061G001	LOCK SCREW PAN MECH M3*8.5-3.5	
16	61.8BA14G001	SCREW M3x7/25x4 P1266	
17	61.8BA15G001	SCREW M3x27/25x6 P1266	
18	61.8BA16G001	LAMP HOLDER DRIVER SPRING P1266	
19	42.0043DG002	W.A 2P#22 MALE 6KV 125/105MM L	
20	75.8BA02G002	ASSY LIGHTCUT MODULE P1166	
21	61.86808G002	LAMP CHANGER HANDLE SUS304 1.6	
22	61.88T11G011	LAMP MESH SUS301-1/2H 0.2t P12	
23	52.83F12G001	LAMP RUBBER HD72	

## ASSY IO COVER MODULE



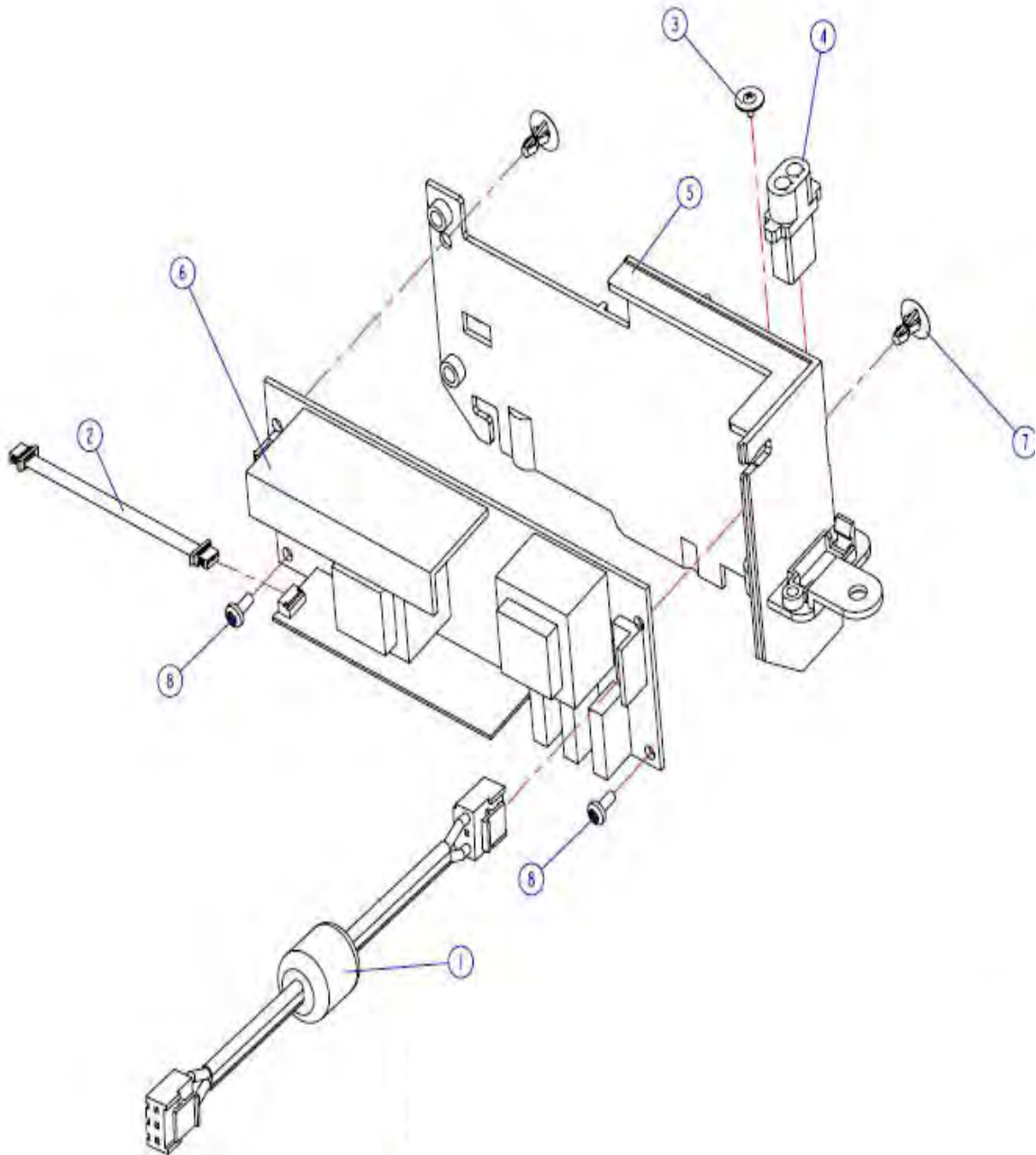
ITEM	PART NO.	DESCRIPTION	SUPPLY PARTS
	70.8BE07GR01	ASSY IO COVER MODULE P1166(SERVICE)	V
	70.8BA19GR01	ASSY IO COVER MODULE P1266(SERVICE)	V
1	51.8BA05G002	DESCRIPTION	
2	35.8BA01G002	IO COVER P1166	
3	35.8BA02G001	MODEL NAME LABEL P1266	
3	35.8BE01G001	MODEL NAME LABEL P1166	

## ASSY ENGINE BOTTOM MODULE



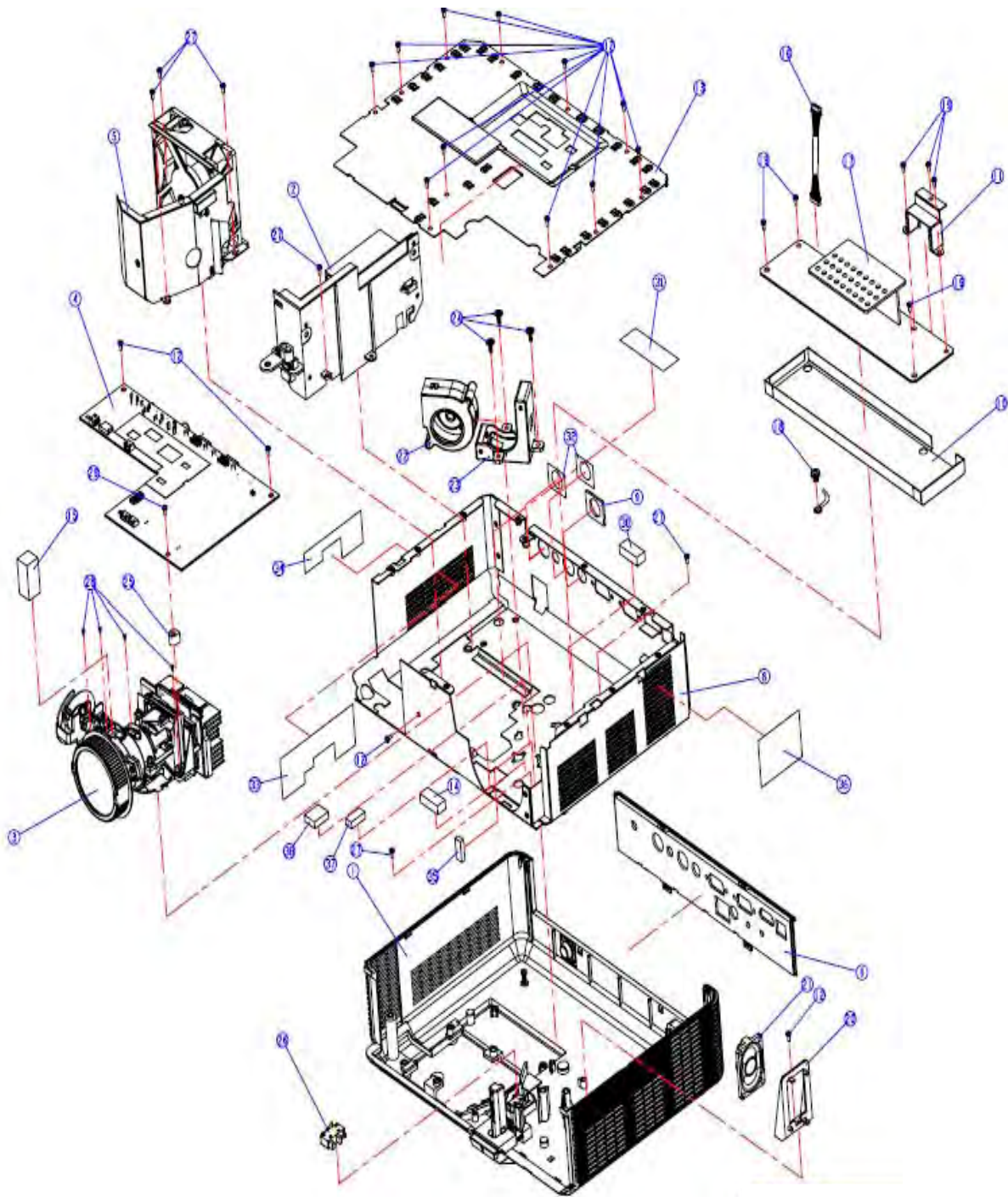
ITEM	PART NO.	DESCRIPTION	SUPPLY PARTS
1	51.88N01G001	ENGINE BOTTOM COVER PC945 X15	
2	52.88N05G001	RELAY RUBBER	
3	52.85808G001	PORON LENS BLACK XB31	
4	23.88N02G001	YO MIRROR1 FOR X15	
5	61.88N11G001	MIRROR SPRING SUS301 X15	
6	51.88N29G001	TAPE 3M J1350 FOR MIRROR EP721	
7	51.88N43G001	MYLAR FOR RELAY BOTTOM	

# ASSY LAMP DRIVER MODULE



ITEM	PART NO.	DESCRIPTION	SUPPLY PARTS
1	42.81G01G001	CABLE W.A. 2P #20 160mm LAPS T	V
2	42.00422G001	W.A 5P 150mm LAMP DRIVER TO M	V
3	85.3A122G040	SCREW CAP MECH M2*4 Ni	
4	42.0043EG002	W.A. 2P#20 FEMALE 6KV 85MM LAM	
5	51.8BA08G002	LAMP DRIVER HOLDER P1266	
6	75.8BA01G001	ASSY OSRAM LAMP DRIVER O6 MIC	V
7	51.00138G001	SPACER SUPPORT SCK-3A "PINGOOD	
8	85.0A123G050	SCREW P/F MECH M3*5 Ni	

# ASSY BOTTOM HOUSING MODULE

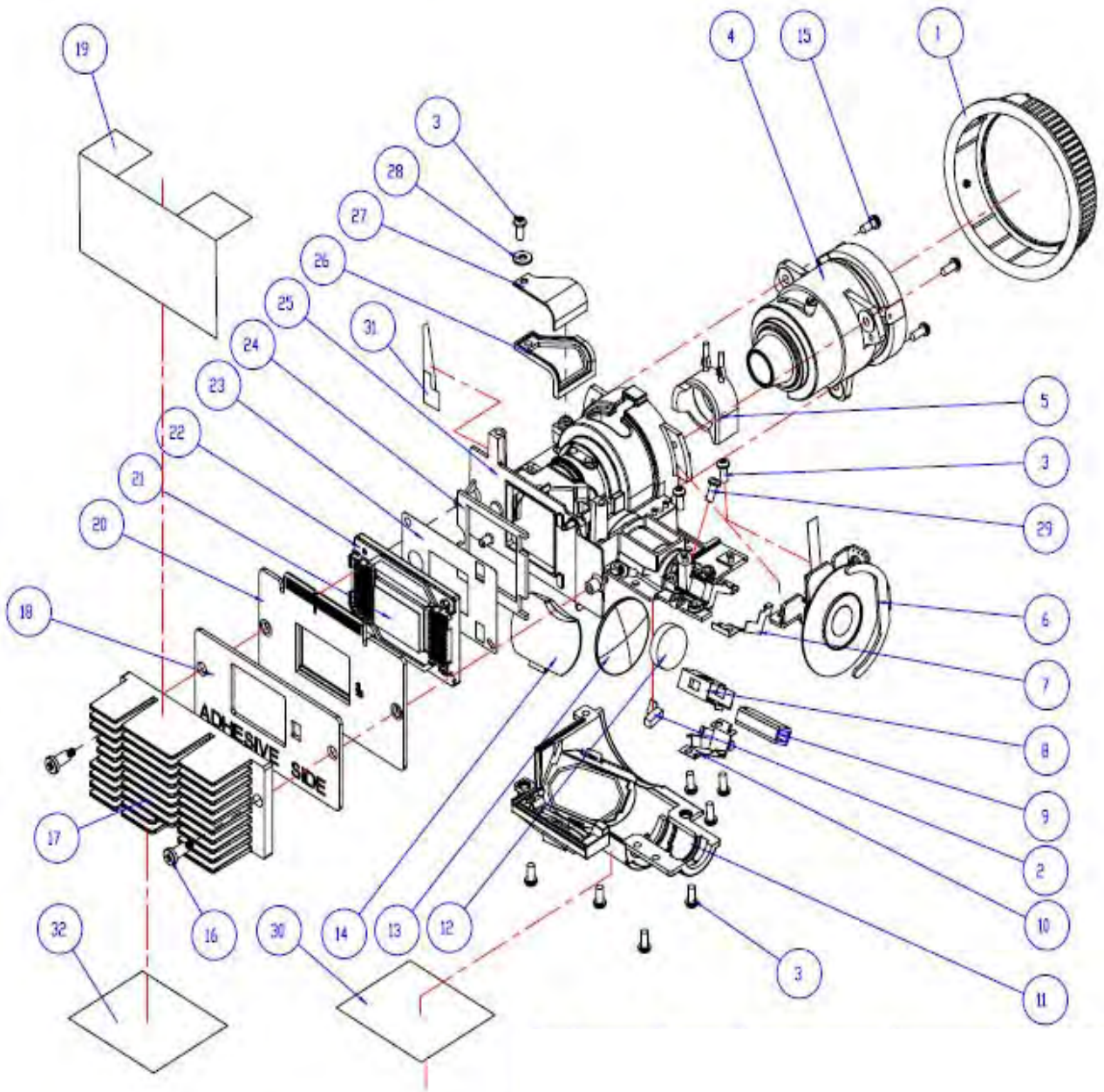




ITEM	PART NO.	DESCRIPTION	SUPPLY PARTS
1	70.8BA10G001	ASSY BOTTOM COVER MODULE P1266	
2	70.8BA02G001	ASSY LAMP DRIVER MODULE P1266	
3	70.8BE01G001	ASSY ENGINE MODULE P1166	
3	70.8BA03G001	ASSY ENGINE MODULE P1266	
4	70.8BE02G001	ASSY MAIN BOARD MODULE P1166	
4	70.8BA04G001	ASSY MAIN BOARD MODULE P1266	
5	70.8BA05G001	ASSY FAN SHIELDING MODULE P1266	
6	70.8BE03G001	ASSY IO COVER MODULE P1166	
6	70.8BA11G001	ASSY IO COVER MODULE P1266	
7	51.00001G001	CABLE TIE PG-YJ-80	
8	61.8BA03G002	BOTTOM SHIELDING P1266	
9	41.85Y04G001	EMI I/O GASKET (s-video/RS232	
10	51.8BA17G002	LVPS MULAR P1266	
11	61.8BA10G001	AC BRACKET P1266	
12	85.0A123G050	SCREW P/F MECH M3*5 NI	
13	61.8BA02G002	TOP SHIELDING P1266	
14	41.80W03G001	EMI GASKET 13*8*30mm	
15	41.8BA01G001	EMI GASKET W17*H40*L24.5mm	
16	42.00451G011	W.A. 16P 90mm LVPS TO MAIN BD	V
17	75.8BE01G001	ASSY LVPS MATRITEK 200W P1166	V
18	85.1C224G051	SCREW PAN MECH M4*5 COLOR W/TO	
19	85.1C123G060	SCREW PAN MECH W/T M3*6 NI	
20	51.8BA15G002	SPEAKER BRACKET P1266	
21	49.87K01G001	SPEAKER 8ohm 2W ?16 EP752	
22	49.88N02G002	SUNON 45X20 BLOWER WITH RUBBER	V
23	52.82G08G001	BLOWER 4520 RUBBER EP7190	
24	85.WD123G080	SCREW PAN TAP 3*8W/WASHER NI	
25	51.8AA21G001	MAIN BROAD SPACER PC LN2520A-1	
26	75.87U02G001	ASSY INTERRUPTER SWITCH P5260	V
27	85.WA123G060	SCREW PAN TAP M3*6 NI	
28	85.1A326G060	SCREW PAN HEAD MECH M2.6*6 BLACK	

29	85.1A323G080	SCREW PAN MECH M3*8 BLACK 'GRE	
30	41.83C01G001	EMI GASKET W13*H15*L40	
31	41.89B02G001	EMI TAPE W*20/L*70	
32	41.85Y04G002	EMI GASKET (S-VIDEO & S-VIDEO)	
33	51.8BA22G001	BOTTOM LEFT INNER MYLAR P1266	
34	51.8BA23G001	BOTTOM LEFT OUTER MYLAR P166	
35	41.82L09G001	EMI GASKET W5*L15*H5mm ARES	
36	51.8BA24G001	BOTTOM RIGHT MYLAR P1266	
37	52.8BA06G001	APOGNE LIGHTCUT-1 P1266	
38	52.8BA07G001	SPONGE LIGHTCUT -2 P1266	

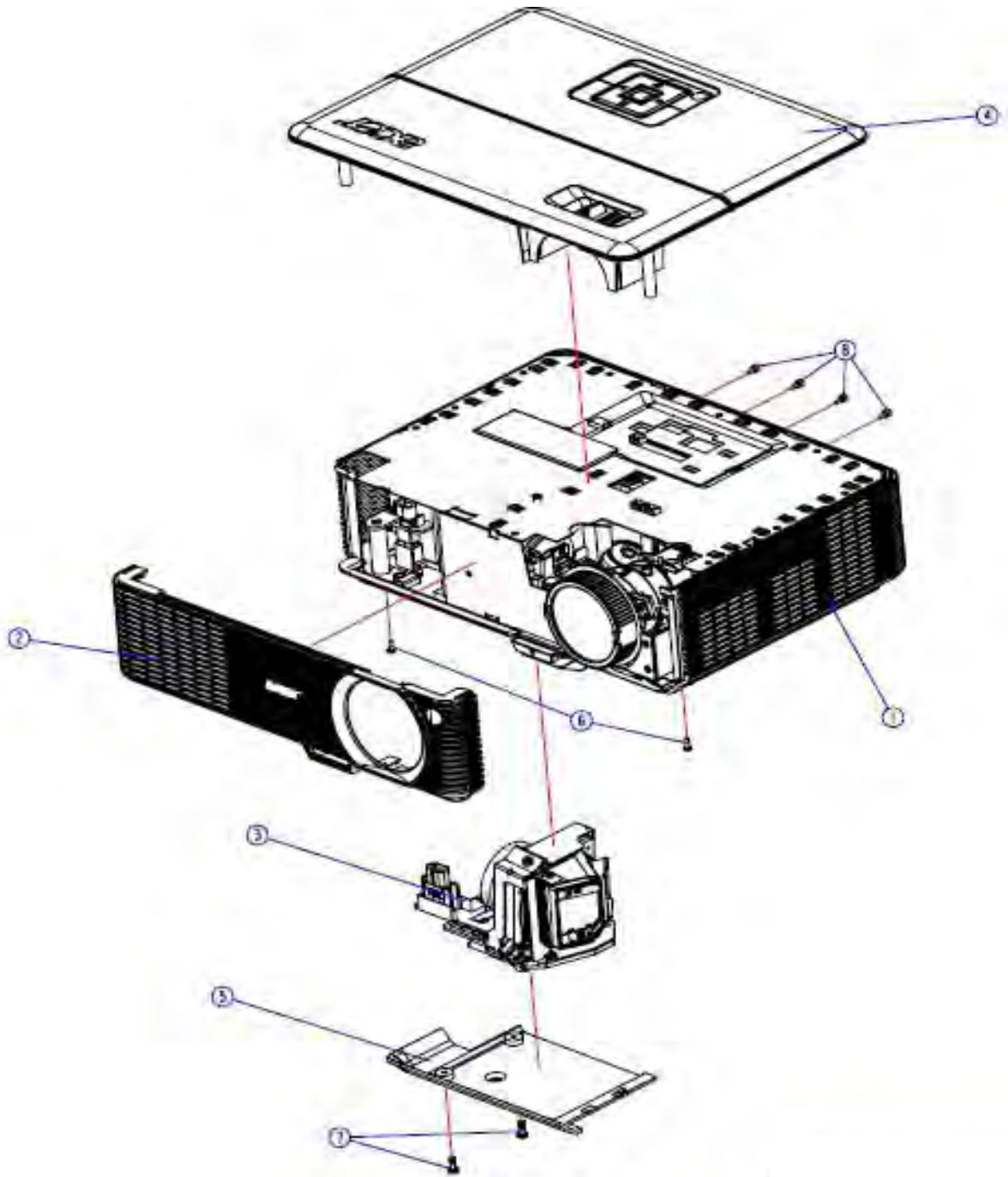
# ASSY ENGINE MODULE



ITEM	Part No	Description	SUPPLY PARTS
1	51.8BA07G002	FOCUS RING P1266	V
	70.8BA16GR01	ASSY ENGINE MODULE P1266(SERVICE)	V
2	61.88N39G001	STOP MASK MG X15	
3	81.1A126G060	SCREW PAN MECH M2.6*6 Ni	
4	23.8BA01G001	PROJECTION LENS YM25	
5	52.88N02G002	PROJECTION LENS RUBBER NEW X15	
6	70.8BA09G001	ASSY COLOR WHEEL MODULE P1266	
7	61.88N13G002	ROD COVER NEW SUS301 X15	
8	61.88N14G002	ROD HOLDER SUS301 X15	
9	23.88S17G002	YO INTEGRATING ROD FOR X15 5 (5.42*3.72MM)	
10	61.88N12G001	ROD SPRING SUS301,X15	
11	70.88N04G001	ASSY ENGINE BOTTOM COVER EP721	
12	23.88N20G001	YO CONDENSER2 FOR X15	
13	23.88N20G001	YO CONDENSER1 FOR X15	
14	23.88N06G001	YO PLASTIC RELAY FOR X15	
15	85.60426G070	SCREW HEX ZN M2.6 L7MM	
16	85.4A826G118	STEP SCREW FOR TYPEX DMD M2.6*11.8MM, X15	V
17	61.88N03G002	DMD HEAT SINK NEW AL1070 X15	
18	52.88N03G002	HEAT SINK RUBBER(X15) X1160	
19	51.8BA25G001	HEAT SINK MYLAR P1266	
20	80.8BA02G001	PCBA DMD BD ENTEK FOR L:4 ZIF	V
21	52.87J01G001	DMD THERMAL PAD 25*17*0.5t FUJIPOLY SARGON GR-Hn	V
22	48.87M01G001	DMD Type-X 1024x768 PIXEL 0.55' XGA (FOR P1266)	V

22	48.87K01G001	DMD Type-X 800x600 PIXEL 0.55' XGA (FOR P1166)	V
23	61.88N15G001	DMD MASK SUS301,X15	
24	52.88N04G002	DMD RUBBER NEW 1.3T X15	
25	61.88N01G003	ENGINE BASE MG X15	
26	52.88N01G001	OFF RAY RUBBER,X15	
27	61.88N05G001	OFF RAY PLATE AL5052,X15	
28	87.FL030G008	WASHER FLAT 7*3.1*0.8t PC PIN-GOOD WS-1M	
29	85.1A526G060	SCREW PAN MECH M2.6*6 Ni NYLOK	
30	41.89C01G001	EMI TAPE(??) L45*W30	
31	51.8BA26G001	ENGINE LIGHTCUT MYLAR P1266	
32	41.82V02G001	EMI TAPE W 30*L30MM PD120	

# D.C.P1166/P1266



ITEM	PART NO.	DESCRIPTION	SUPPLY PARTS
1	70.8BA01G001	ASSY BOTTOM HOUSING MODULE P1266	
1	70.8BE04G001	ASSY BOTTOM HOUSING MODULE P1166	
2	70.8BA06G001	ASSY FRONT COVER MODULE P1266	
	SP.8BE01GC01	LAMP MODULE FOR PROJECTOR P1166/P1266	V
3	70.8BE05G001	ASSY LAMP MODULE P1266	
4	70.8BA08G001	ASSY TOP COVER MODULE P1266	
5	51.8BA06G002	LAMP COVER P1166	V
6	85.1A323G080	SCREW PAN MECH M3*8 BLACK	
7	61.00018G002	LOCK SCREW PAN MECH M3*8.5-3.5	
8	85.005AGG408	SCREW HEX I/O #4-40 H4*L8 NI	