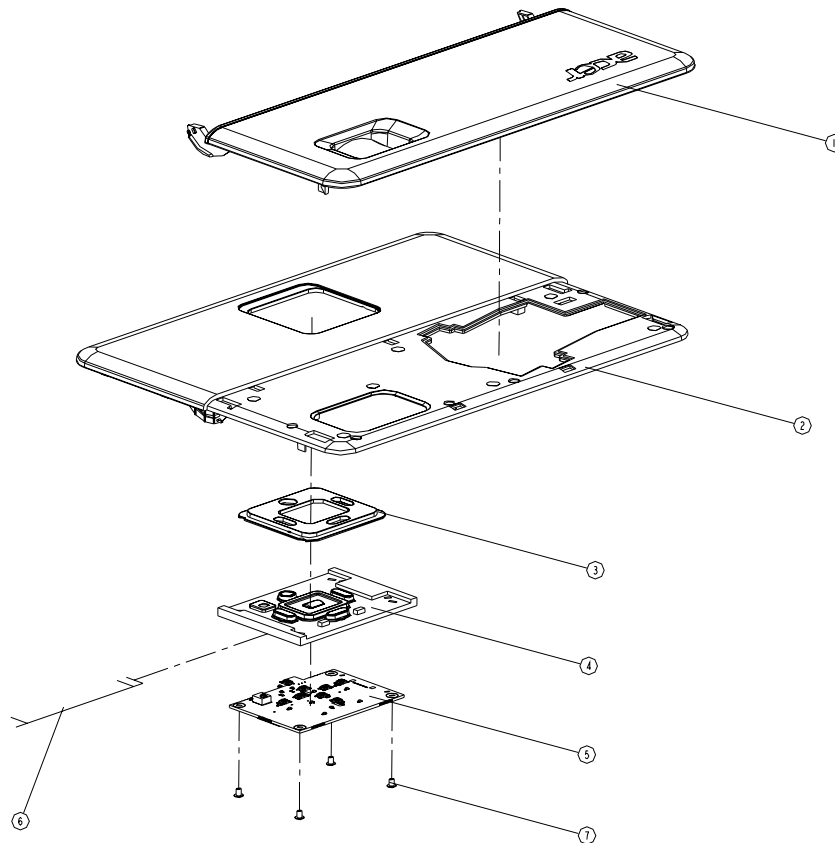


Appendix A

Exploded Overview

Top Cover Module P1165

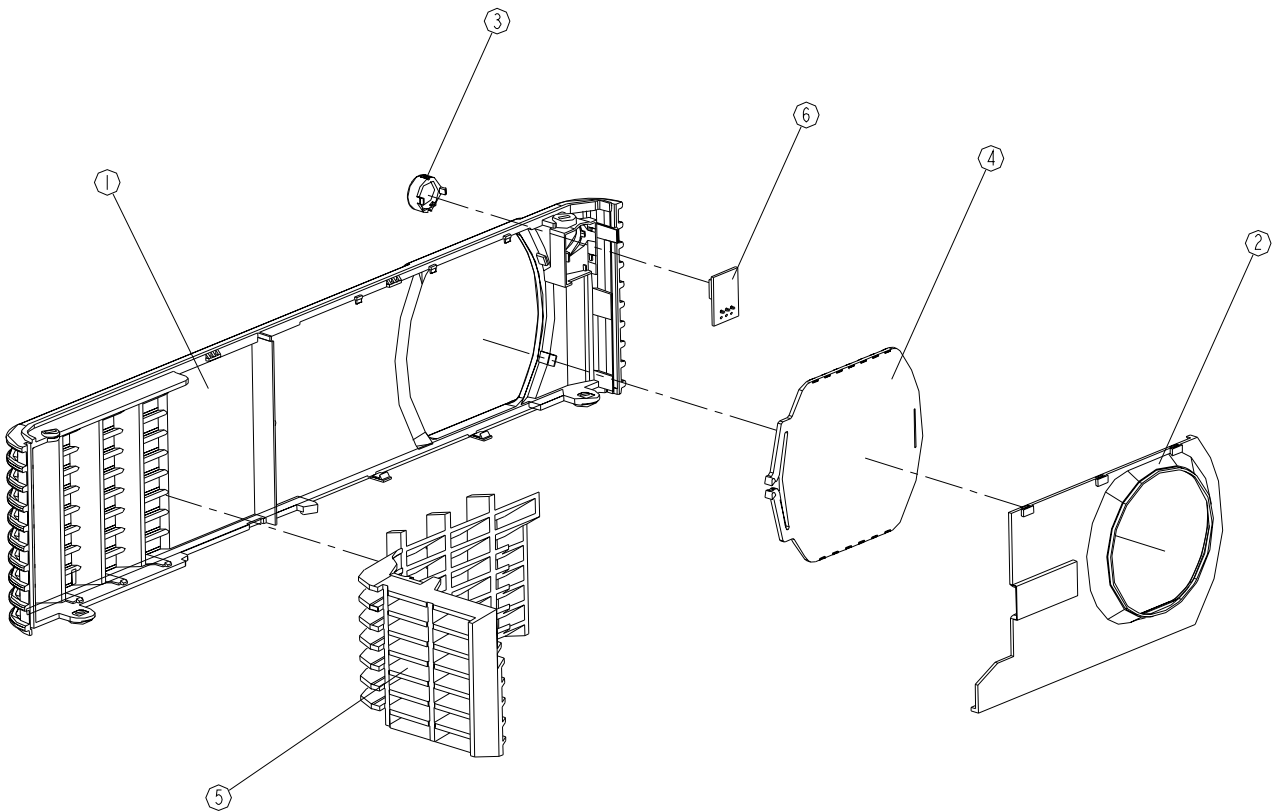


Exploded Parts List

Item	P/N	Description
1	75.88K03G001	LAMP COVER MODULE P1165D
2	51.87H01G002	TOP HOUSING COVER P5260
3	51.87H11G001	KEYPAD LENS XD1171D
4	51.87H23G003	FUNCTION KEY P5271
5	80.87H03G001	PCBA KEYPAD BD FOR XD1171D
6	42.00303G001	FFC KEYPAD TO M/B 24P P=0.5 100mm EP752
7	85.YA123G040	SCREW(TAPPING FLAT HEAD NI M3*4)-AD2022m

Note: Please refer to RSPL for updated part numbers.

FRONT COVER MODULE XD1171D

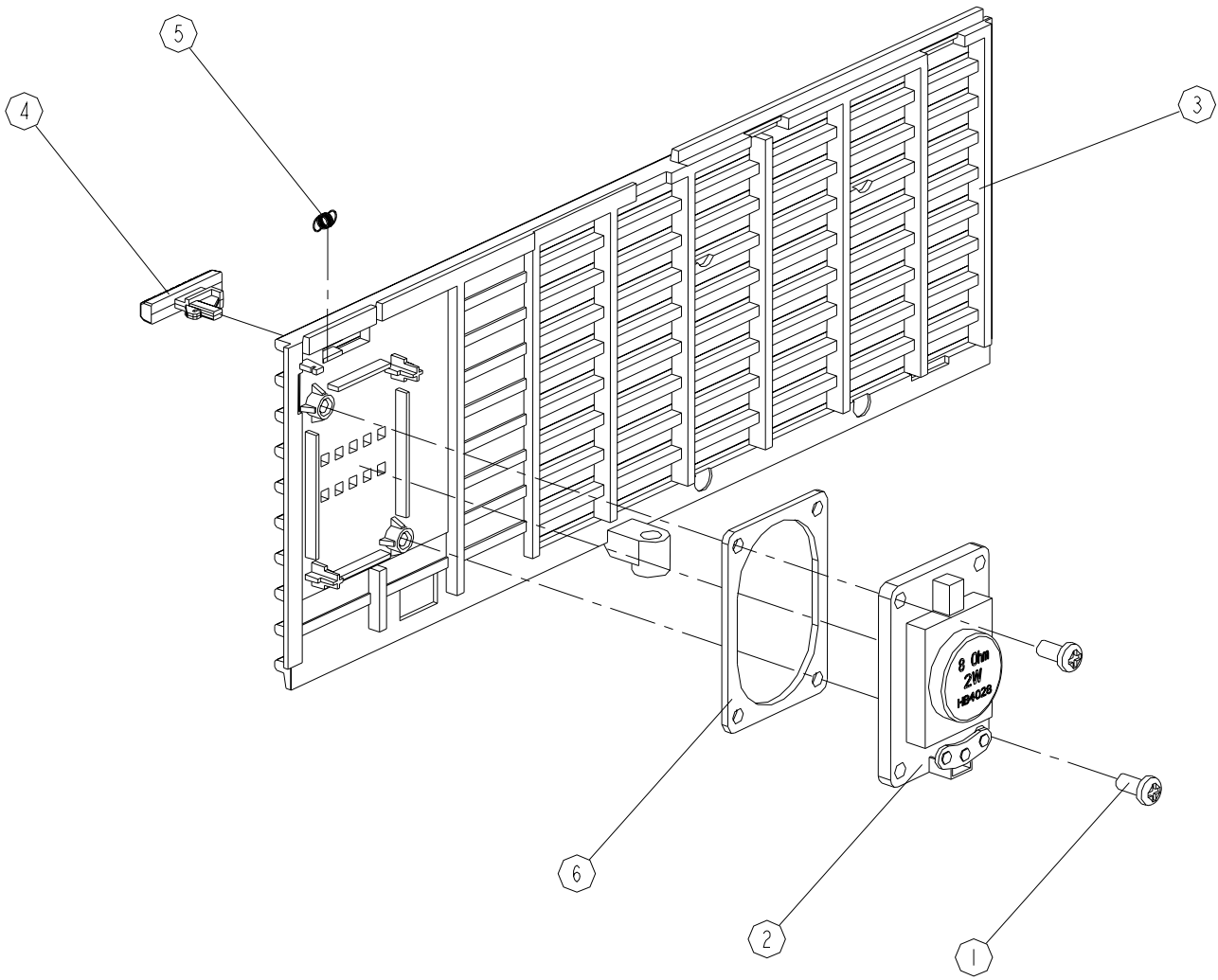


Exploded Parts List

Item	P/N	Description
1	51.87H06G002	FRONT COVER P5260
2	51.87H08G002	FRONT MASK P5260
3	51.87H09G001	FRONT IR LENS XD1171D
4	51.87H10G002	LENS DOOR P5260
5	51.87H22G001	FRONT LIGHT CUT XD1171D
6	80.87M05G001	PCBA IR SENSOR BD FOR EP761

Note: Please refer to RSPL for updated part numbers.

RIGHT COVER MODULE XD1171D

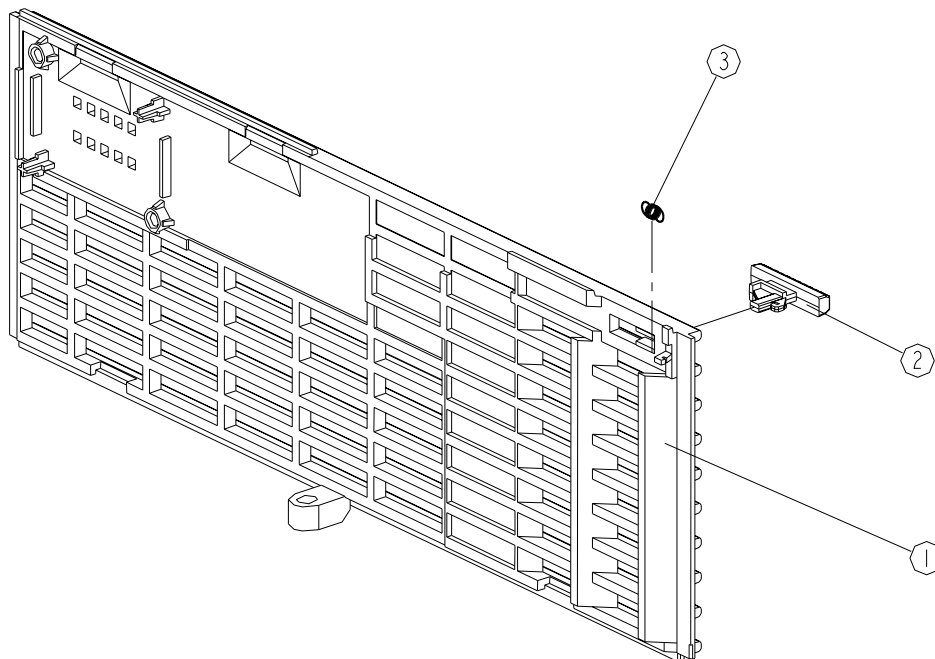


Exploded Parts List

Item	P/N	Description
1	85.WA123G060	SCREW PAN TAP M3*6 Ni
2	49.87K01G001	SPEAKER 8ohm 2W X16 EP752
3	51.87H07G002	RIGHT COVER P5260
4	51.87H14G002	LAMP COVER LATCH P5271
5	61.87H09G002	LATCH SPRING P5260
6	52.89608G001	SPEAKER SPONGE CR 2t EP759/PD726

Note: Please refer to RSPL for updated part numbers.

LEFT COVER MODULE XD1171D

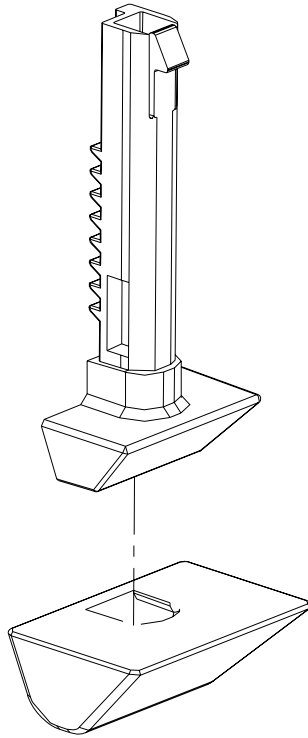


Exploded Parts List

Item	P/N	Description
1	51.87H04G002	LEFT COVER P5260
2	51.87H14G002	LAMP COVER LATCH P5271
3	61.87H09G002	LATCH SPRING P5260

Note: Please refer to RSPL for updated part numbers.

ELEVATOR FOOTMODULE XD1171D

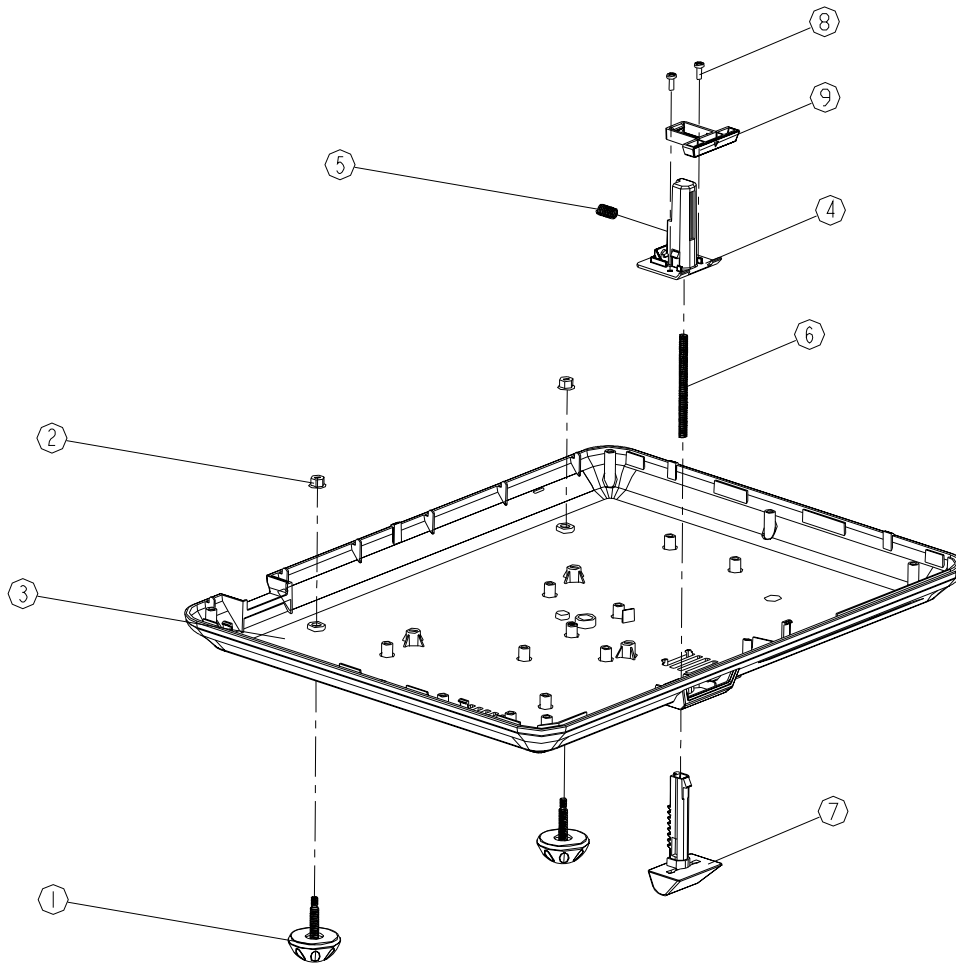


Exploded Parts List

Item	P/N	Description
1	51.87H13G002	ELEVATOR FOOT PLASTIC P5260
2	52.87H02G002	ELEVATOR FOOT RUBBER P5260

Note: Please refer to RSPL for updated part numbers.

BOTTOM COVER MODULE XD1171D

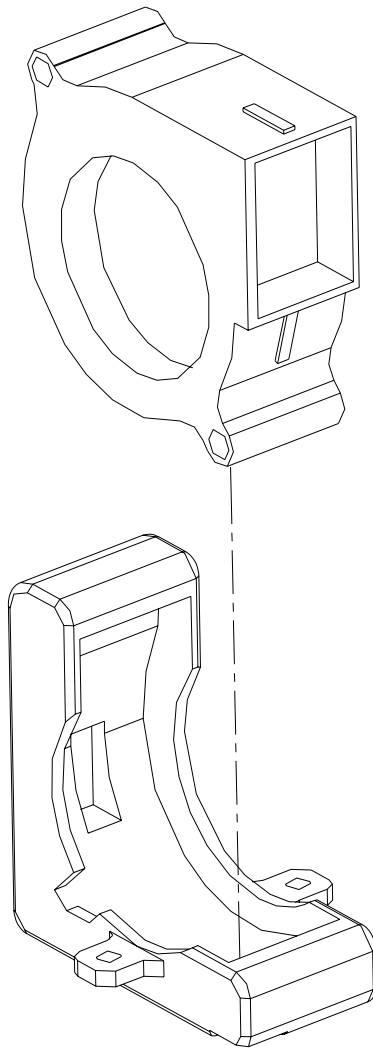


Exploded Parts List

Item	P/N	Description
1	52.87H01G002	ADJUST FOOT P5260
2	86.03123G035	HEX CAP HEAD NUT M3*0.5P L3.5
3	51.87H03G002	BOTTOM COVER P5260
4	51.86810G071	ELEVATOR HOLDER PC+ABS C6200 EP7190
5	61.85913G001	ELEVATOR SPRONG SUS304 EP910
6	61.86814G001	ELEVATOR EXTEND SPRING PD120
7	70.87H09G001	ELEVATOR FOOT MODULE XD1171D
8	85.1A326G060	SCREW PAN HEAD MECH M2.6*6 BLACK
9	51.87H12G002	ELEVATOR KEY P5260

Note: Please refer to RSPL for updated part numbers.

ASSY BLOWER 5020 EP752

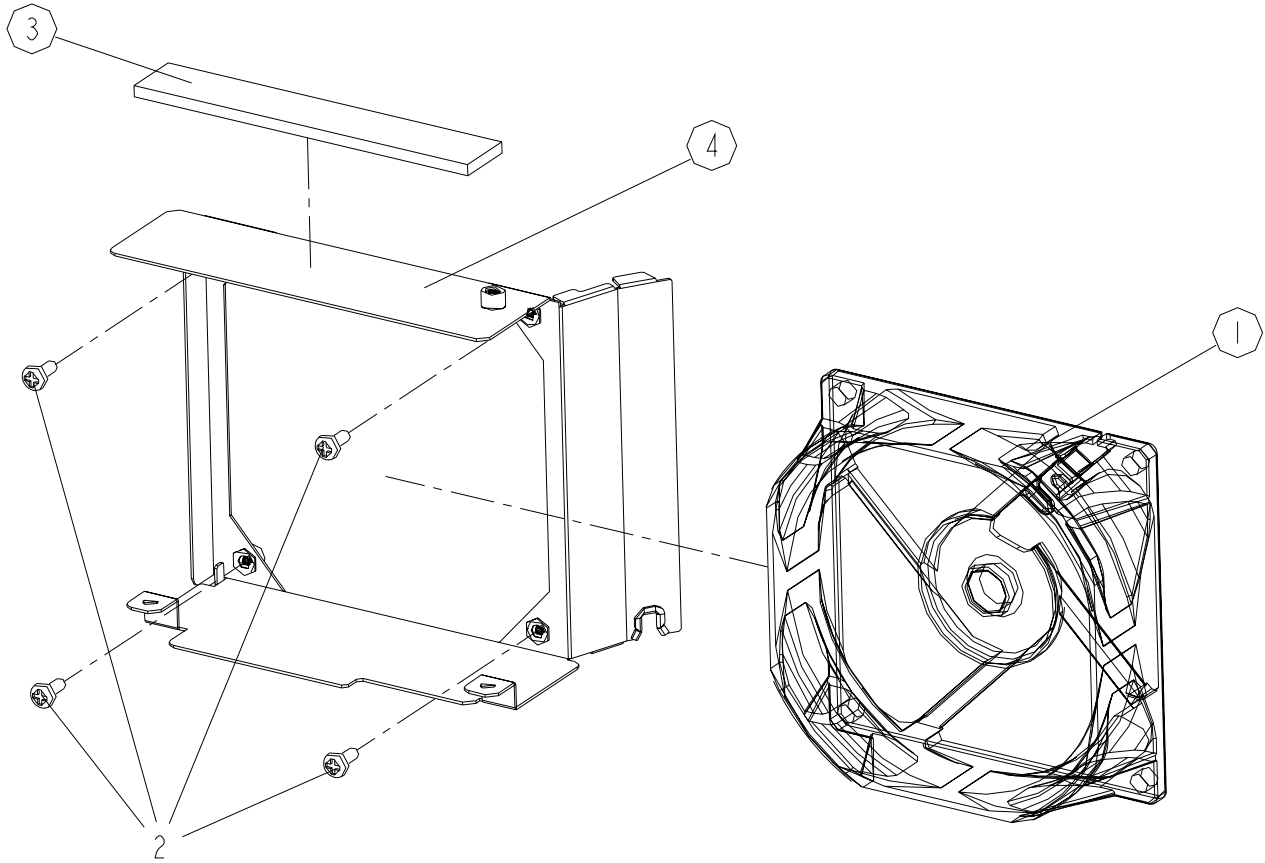


Exploded Parts List

Item	P/N	Description
1	49.87J02G002	SUNON GB1205PKV5-AY 50*25mm BLOWER FAN
2	52.87306G001	RUBBER BLOWER FAN FRAME 2100MP

Note: Please refer to RSPL for updated part numbers.

ASSY FAN 8025 MODULE P5271

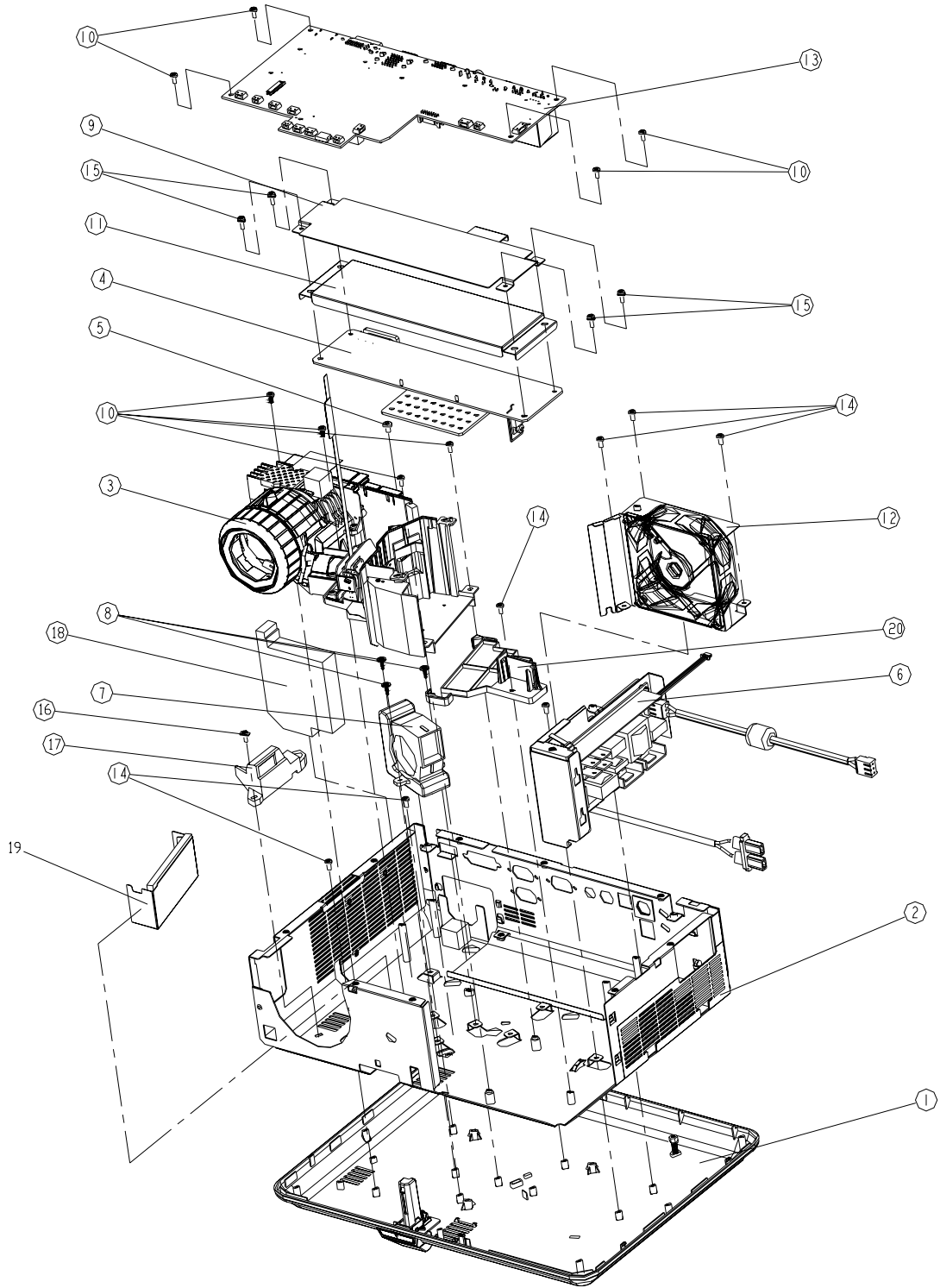


Exploded Parts List

Item	P/N	Description
1	49.87J01G001	SUNON PSD1208PTV1-A 80*25mm AXIAL FAN
2	85.1A323G080	SCREW PAN MECH M3*8 BLACK "GREEN"
3	41.85W01G001	EMI GASKET W9*H3*L70
4	61.87H01G003	FAN 8025 BRACKET P5271

Note: Please refer to RSPL for updated part numbers.

ASSY BOTTOM HOUSING MODULE P1165D

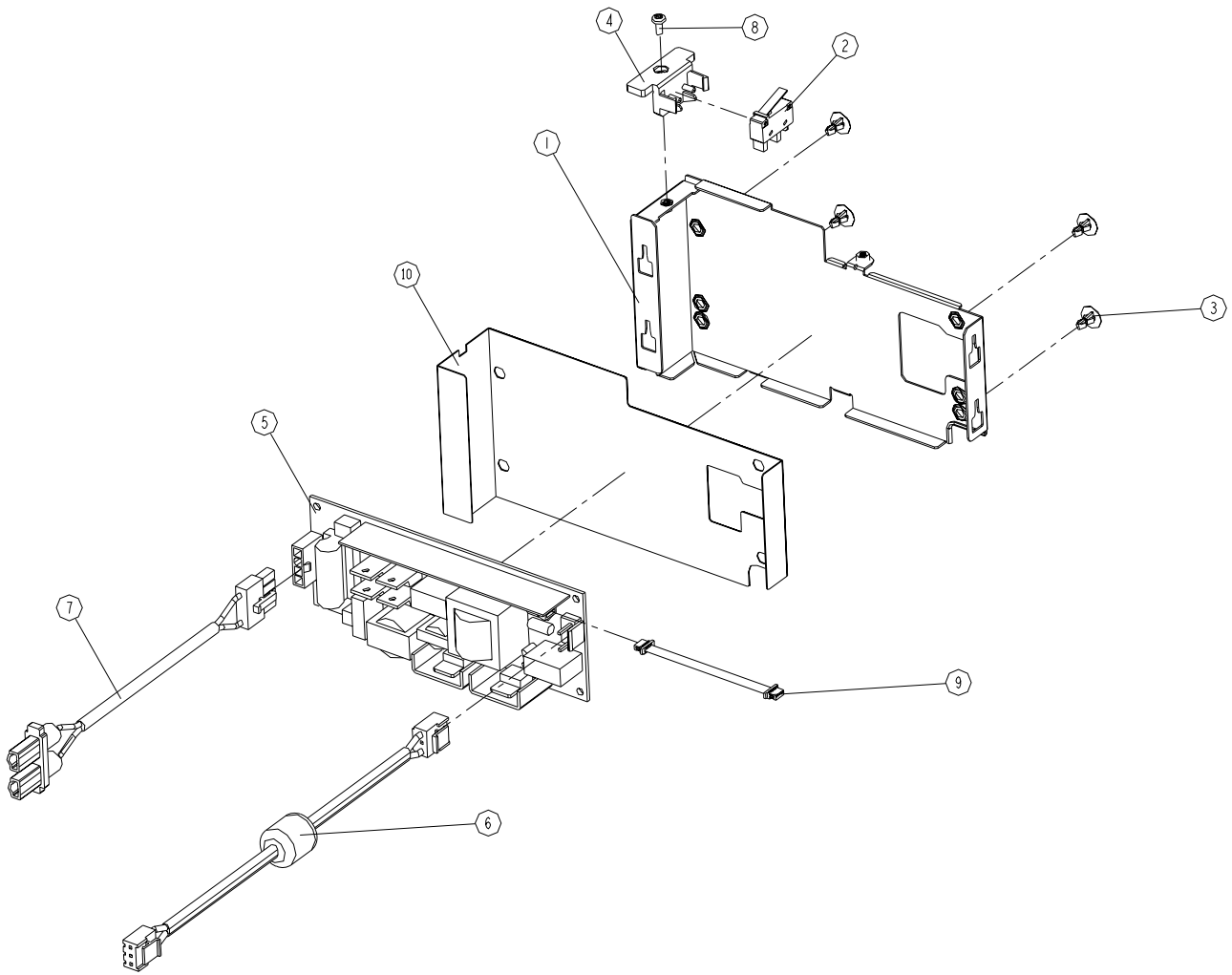


Exploded Parts List

Item	P/N	Description
1	70.87H13G001	BOTTOM COVER MODULE XD1171D
2	75.88K04G001	BOTTOM SUPPORT SHIELDING P1165D
3	70.86V10G001	ASSY ENGINE MODULE P1165D
4	70.88K02G001	ASSY LVPS MODULE P1165D
5	85.1C224G050	SCREW PAN MECH M4*5 COLOR W/TOOTH WASHER
6	70.88K03G001	ASSY LAMP DRIVER MODULE P1165D
7	70.87K06G001	ASSY BLOWER 5020 EP752
8	85.WD123G080	SCREW PAN TAP 3*8 W/WASHER Ni
9	61.87H02G001	LVPS BRACKET AL 230W XD1171D
10	85.1A123G060	SCREW PAN MECH M3*6 Ni
11	51.87K28G001	MYLAR FOR LVPS EP752
12	70.87W08G001	ASSY FAN 8025 MODULE P5271
13	70.88K05G001	ASSY MB PCBA P1165D
14	85.WA123G060	SCREW PAN TAP M3*6 Ni
15	85.1F123G080	SCREW PAN MECH W/SF M3*8 NI GREEN
16	85.TA123G060	SCREW CAP TAP M3*6 Ni
17	52.86V10G001	RELAY DUCT RUBBER X19
18	52.87U02G001	SYSTEM SPONGE TO CUT OFF P5260
19	75.88K05G001	ZOOM RING LIGHTCUT P1165D
20	51.86V02G002	ENGINE MASK PLATE PPS X19

Note: Please refer to RSPL for updated part numbers.

ASSY LAMP DRIVER MODULE P1165D

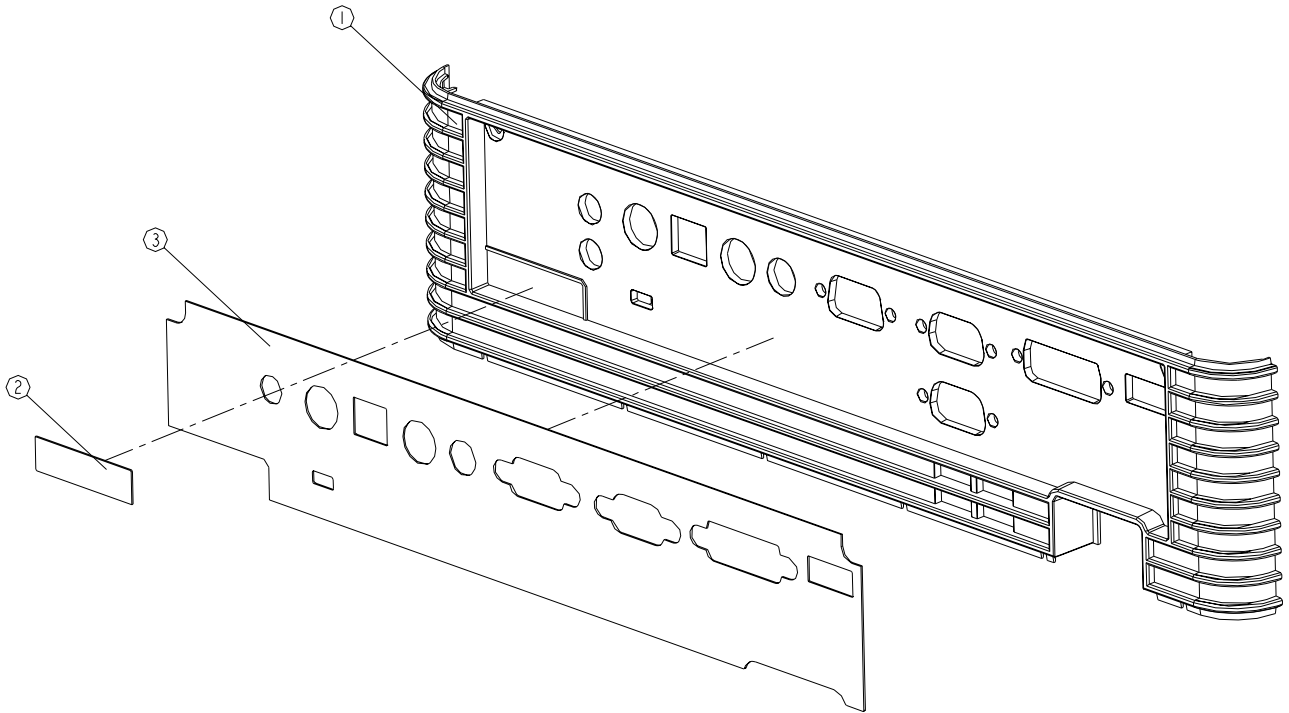


Exploded Parts List

Item	P/N	Description
1	61.87H07G002	LAMP DRIVER BRACKET P5260
2	75.87U02G001	ASSY INTERRUPTER SWITCH P5260
3	51.00138G001	SPACER SUPPORT SCK-3A "PINGOOD" EP739
4	51.87H19G001	LAMP DRIVER LIMIT SWITCH HOLDER XD1171D
5	75.88K02G001	ASSY OSRAM LAMP DRIVER O3 MID 180W
6	42.83M06G001	CABLE W.A. 2P #20 180mm LAMP DRIVER TO LVPS 2400MP
7	42.85F01G001	CABLE W.A. 2P #22 160mm LAMP DRIVER TO LAMP EP1690
8	85.1A123G060	SCREW PAN MECH M3*6 NI
9	42.00471G001	W.A. 5P #28 75MM BALLAST/MAIN BOARD EP761
10	51.87H29G001	LAMP DRIVER INSULATION MYLAR XD1171D

Note: Please refer to RSPL for updated part numbers.

BACK COVER MODULE P1165D

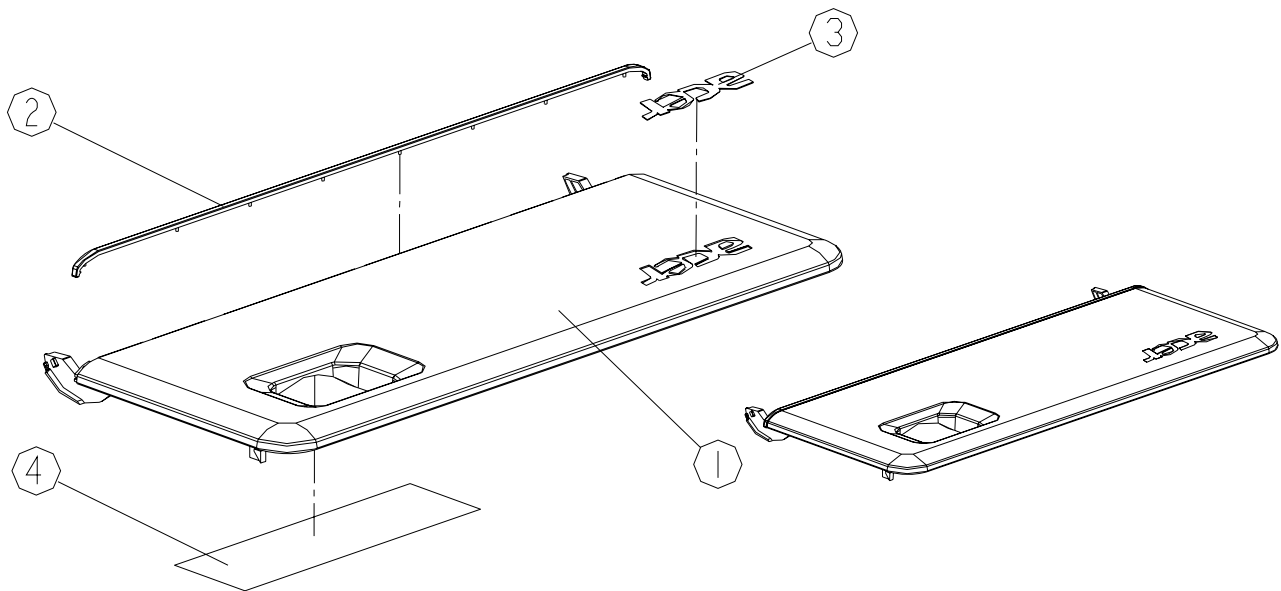


Exploded Parts List

Item	P/N	Description
1	51.87H21G002	BACK COVER XD1171D
2	35.88K01G001	MODEL NAME LABEL P1165D
3	35.88K02G001	IO MYLAR P1165D

Note: Please refer to RSPL for updated part numbers.

LAMP COVER MODULE P1165D

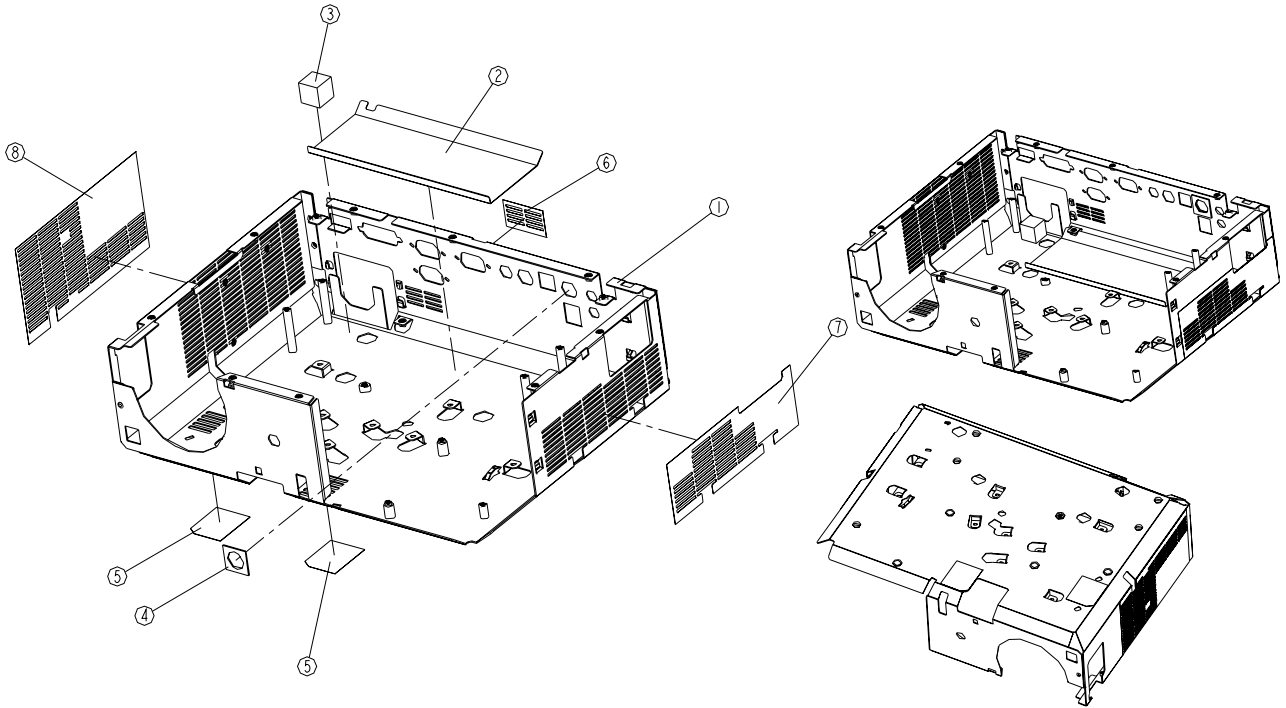


Exploded Parts List

Item	P/N	Description
1	51.87H02G012	TOP COVER P1265D
2	51.87H05G011	TOP COVER STRIP P1165D
3	61.87H10G001	ACER LOGO XD1171D
4	35.87U03G001	LAMP WARNING LABEL P5260

Note: Please refer to RSPL for updated part numbers.

ASSY BOTTOM SHIELDING MODULE P1165D

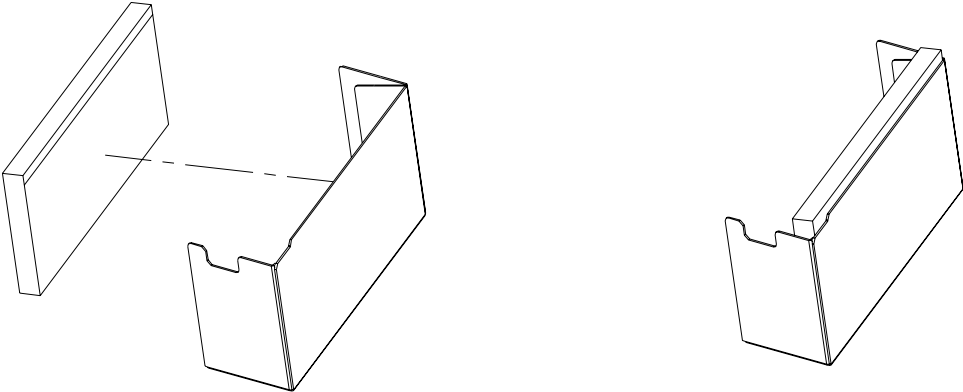


Exploded Parts List

Item	P/N	Description
1	61.87H03G002	BUTTOM SUPPORT SHIELDING P5260
2	51.87U04G001	BOTTOM MYLAR FOR LVPS P5260
3	41.87J01G001	EMI GASKET W15*H15*L15mm
4	41.83M11G001	S-VIDEO GASKET 2400MP
5	51.87U01G001	BOTTOM MYLAR FOR SHIELDING P5260
6	51.87U08G001	BACK MYLAR FOR SHIELDING P5260
7	51.87U06G001	LEFT MYLAR FOR SHIELDING P5260
8	51.87U02G001	RIGHT MYLAR FOR SHIELDING P5260

Note: Please refer to RSPL for updated part numbers.

ZOOM RING LIGHTCUT P1165D

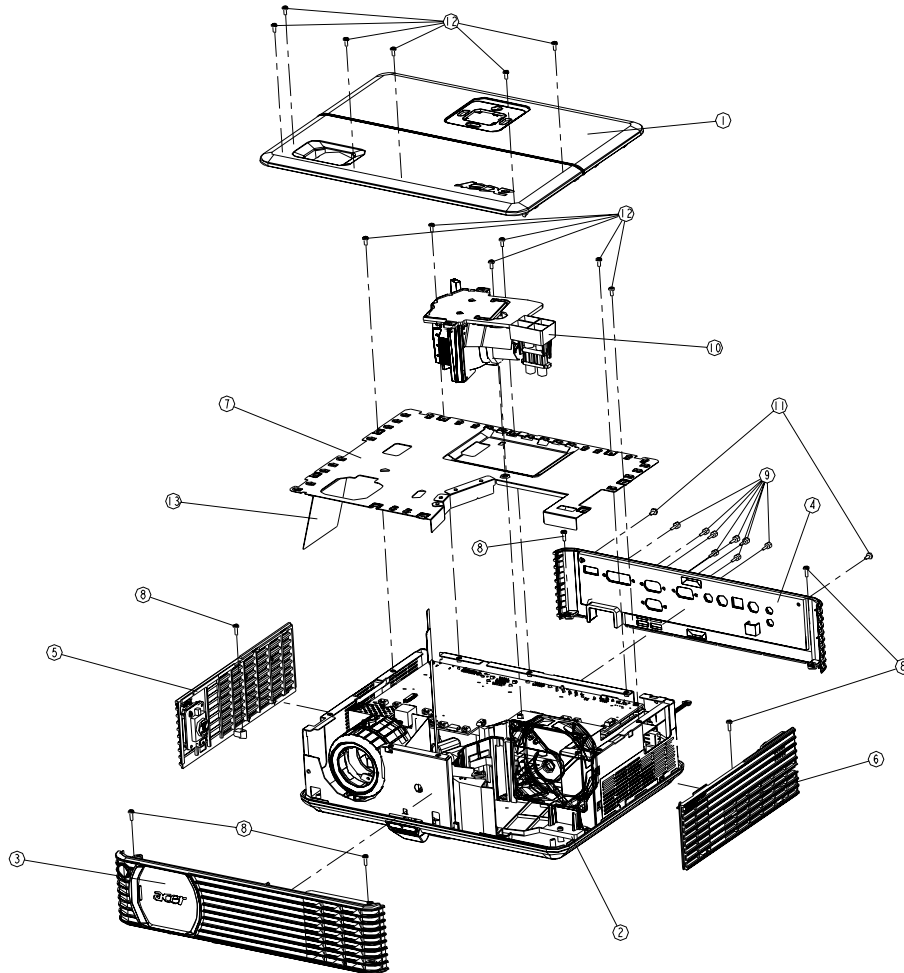


Exploded Parts List

Item	P/N	Description
1	51.87U03G001	ZOOM RING MYLAR-L P5260
2	52.87U01G001	SYSTEM SPONGE TO CUT OFF P5260

Note: Please refer to RSPL for updated part numbers.

D.C.P1165D

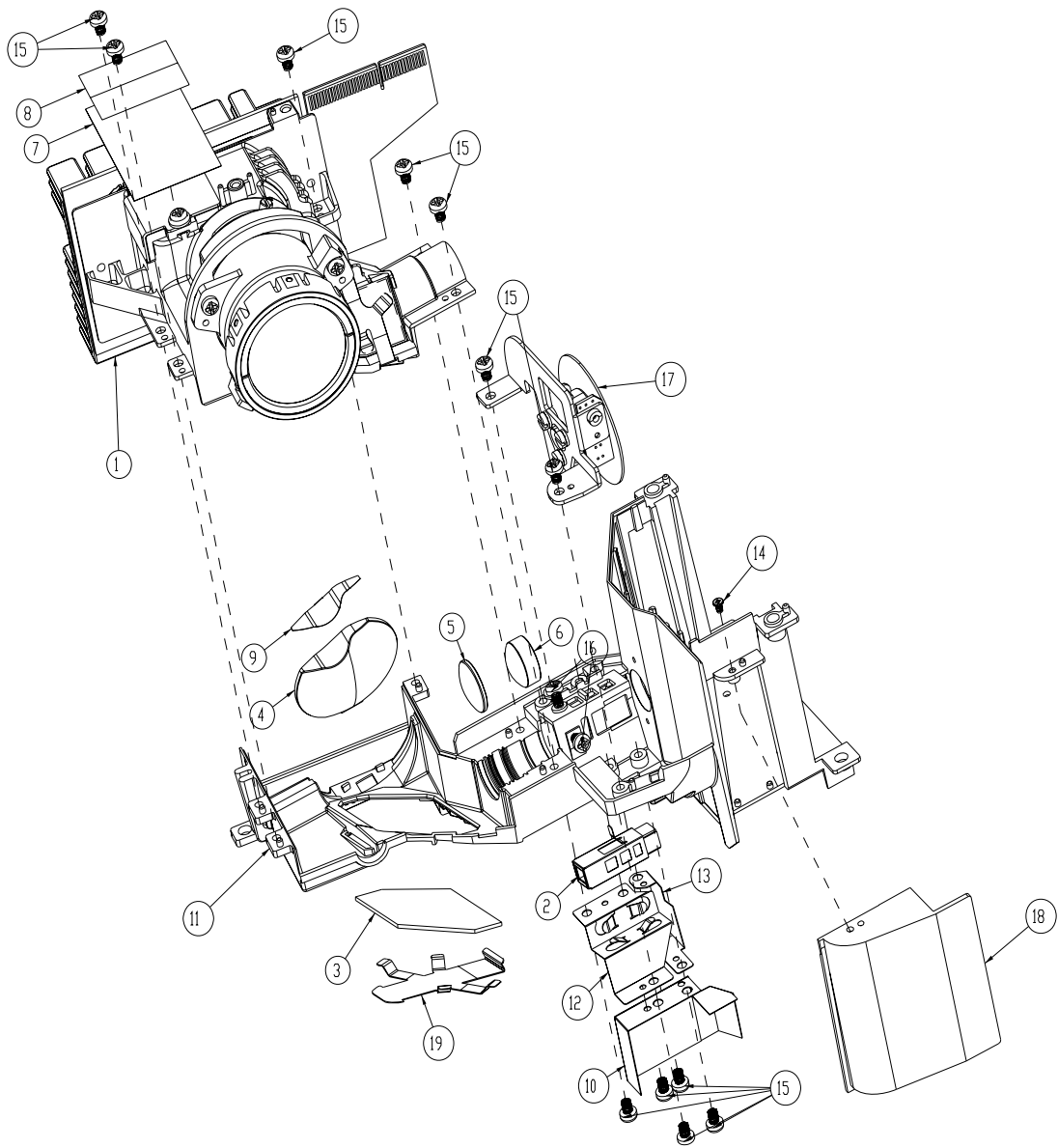


Exploded Parts List

Item	P/N	Description
1	70.87H01G011	TOP COVER MODULE P1165D
2	70.88K01G001	ASSY BOTTOM HOUSING MODULE P1165D
3	70.87H03G001	FRONT COVER MODULE XD1171D
4	70.88K08G001	BACK COVER MODULE P1165D
5	70.87H05G001	RIGHT COVER MODULE XD1171D
6	70.87H06G001	LEFT COVER MODULE XD1171D
7	61.87H04G001	TOP SUPPORT SHIELDING XD1171D
8	85.WA123G080	SCREW PAN TAP M3*8 Ni
9	85.005AGG308	SCREW HEX IO #4-40 H3.5*L8 NI NYLOK
10	70.86V16G001	ASSY LAMP MODULE OSRAM 180W X19
11	85.0A323G060	SCREW P/F MECH M3*6 BLACK
12	85.1A123G060	SCREW PAN MECH M3*6 NI
13	51.87U05G001	FOCUS RING MYLAR P5260

Note: Please refer to RSPL for updated part numbers.

ASSY ENGINE MODULE XGA 180W X19

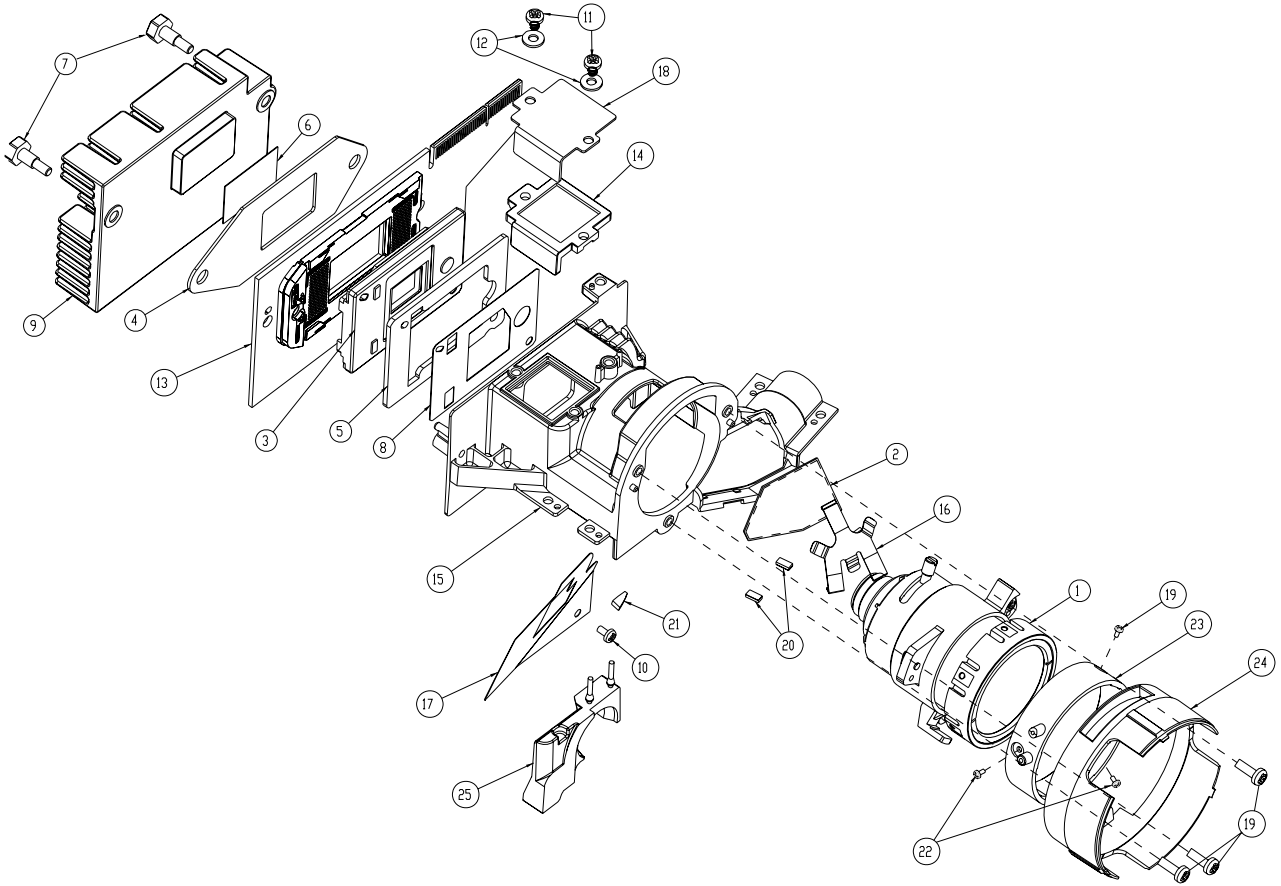


Exploded Parts List

Item	P/N	Description
1	70.86V20G001	ASSY ENGINE TOP COVER MODULE SVGA 180W X19
2	70.86V05G001	ASSY ROD MODULE X19
3	23.87M02G001	MIRROR 1 28*45mm UNAXIS
4	23.88L06G001	PLASTIC RELAY Z480R YO
5	23.87M20G001	CONDENSER 1 X16mm BK7
6	23.87M20G011	CONDENSER 2 X14mm SF6
7	41.82K09G001	EMI TAPE 30*50mm
8	51.81541G001	TAPE 3M J350 17*30mm
9	51.86V03G001	RELAY MYLAR PVF X19
10	51.86V05G001	ENGINE THERMAL MYLAR X19
11	61.86V02G013	ENGINE BOTTOM COVER FOR PLASTIC RELAY MG X19
12	61.86V11G002	ROD FIX PLATE SUS301 X19
13	61.86V12G001	ROD HIDE RAY PLATE SUS301 X19
14	85.0A122G030	SCREW DOUBLE FLAT MECH M2*3Ni
15	85.1A323G040	SCREW PAN MECH M3*4 BLACK
16	85.1A523G080	SCREW PAN MECH M3*8 Ni NYLOK
17	70.86V31G001	ASSY COLOR WHEEL MODULE OERLIKON 6S BN20 X19
18	61.86V05G003	ENGINE WIND GUIDER AL X19.
19	61.86V09G002	MIRROR1 HOLDER PLATE SUS301 X19.

Note: Please refer to RSPL for updated part numbers.

ASSY ENGINE TOP COVER MODULE SVGA 180W X19



Exploded Parts List

Item	P/N	Description
1	23.87M01G002	FPL30 PROJECTION LENS 1.1X
2	23.87M02G011	MIRROR 2 19.2*31.5mm UNAXIS
3	48.87K01G001	DMD Type-X 800x600 PIXEL 0.55" SVGA LVDS "TI"
4	52.86V04G001	DMD BD SUPPORT RUBBER X19
5	52.86V05G001	DMD SPONGE X19
6	52.87J01G001	DMD THERMAL PAD 25*17*0.5t FUJIPOLY SARGON GR-Hn
7	61.88611G001	DMD SCREW M _y 10X
8	61.86V20G001	DMD MASK2 SUS301 X19
9	61.86V24G001	DMD HEATSINK3 AL X19
10	85.1A326G060	SCREW PAN HEAD MECH M2.6*6 BLACK
11	85.1A523G060	SCREW PAN MECH M3*6 NYLOK, GREEN
12	87.FL030G008	WASHER FLAT 7*3.1*0.8t PC PINGOOD WS-1M
13	80.87H02G001	PCBA DMD BD L:6 ZIF TYPE FOR P5260
14	52.86V01G002	OFF LIGHT ISOLATOR RUBBER X19.
15	61.86V01G013	ENGINE TOP COVER MG X19.
16	61.86V10G002	MIRROR2 HOLDER PLATE SUS301 X19.
17	61.86V14G002	DMD MASK SUS301 X19.
18	61.86V19G002	OFF LIGHT HEATSINK AL X19.
19	85.1A323G080	SCREW PAN MECH M3*8 BLACK "GREEN"
20	52.82G09G001	CONDENSER CUSHION RUBBER EP7190
21	52.86V06G001	RELAY SUPPORT RUBBER X19
22	85.YA321G052	SCREW FLAT HEAD TAP M1.7*5 D2.5 BLACK
23	51.87H17G002	FOCUS RING TRANSFER P5260
24	51.87H18G002	FOCUS RING BASE P5260
25	52.86V07G002	RELAY SEALED RUBBER X19

Note: Please refer to RSPL for updated part numbers.