

NWZ-S754/S755

SECTION 4 EXPLODED VIEWS

Note:

- -XX and -X mean standardized parts, so they may have some difference from the original one.
- Items marked "*" are not stocked since they are seldom required for routine service. Some delay should be anticipated when ordering these items.
- The mechanical parts with no reference number in the exploded views are not supplied.

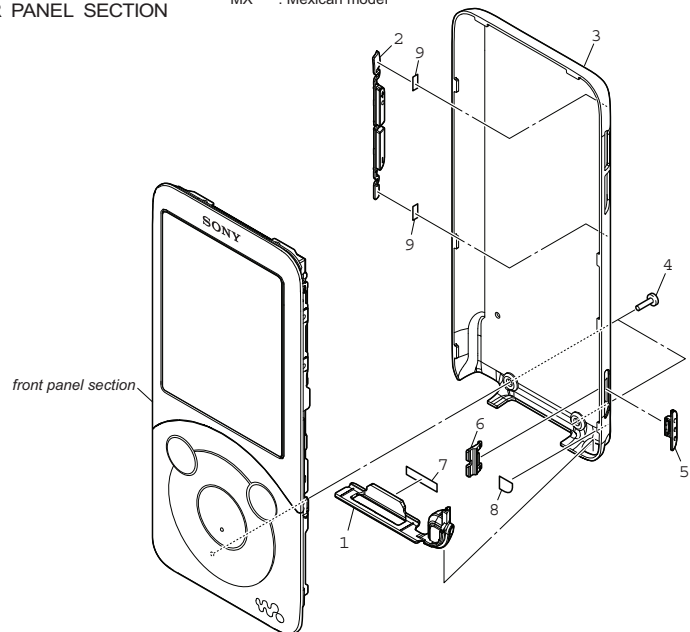
- Color Indication of Appearance Parts Example: KNOB, BALANCE (WHITE) . . . (RED)

- Abbreviation
AUS : Australian model
CH : Chinese model
CND : Canadian model
EE : East European model
MX : Mexican model

- Refer to "COLOR VARIATION" in the "SERVICING NOTES" (page 8) about color or variation of model and destination.

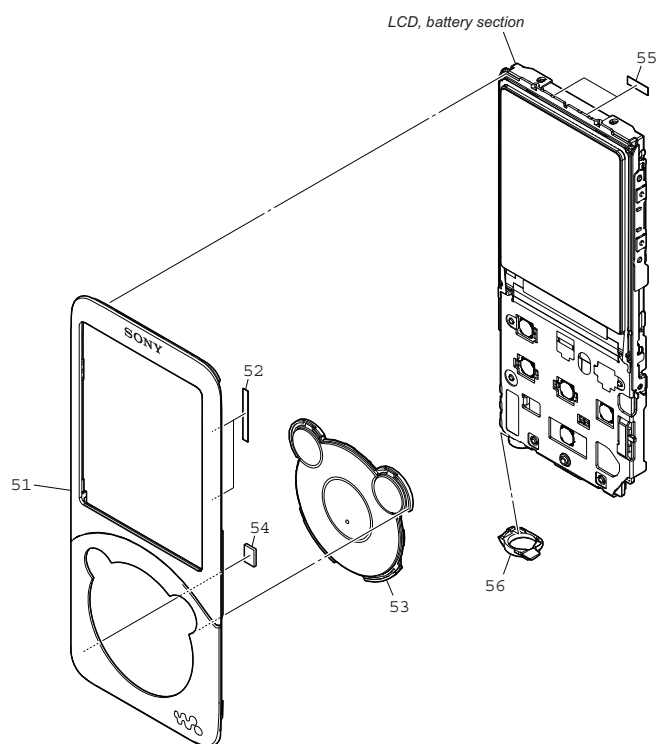
↑ Parts Color Cabinet's Color

4-1. REAR PANEL SECTION



Ref. No.	Part No.	Description	Remark	Ref. No.	Part No.	Description	Remark
1	4-192-475-01	ESCUTCHEON (REAR) (for BLACK, BLUE, GOLD)		3	9-885-150-97	PANEL (REAR) ASSY (GOLD) (NWZ-S754: EE)	
1	4-192-475-11	ESCUTCHEON (REAR) (for WHITE, LIGHT PINK)		3	9-885-150-98	PANEL (REAR) ASSY (BLUE) (NWZ-S754: EE)	
2	4-192-477-01	BUTTON (VOL) (+, -) (BLACK)		3	9-885-150-99	PANEL (REAR) ASSY (BLACK) (NWZ-S754: CH)	
2	4-192-477-11	BUTTON (VOL) (+, -) (WHITE)		3	9-885-151-00	PANEL (REAR) ASSY (WHITE) (NWZ-S754: CH)	
2	4-192-477-21	BUTTON (VOL) (+, -) (LIGHT PINK)		3	9-885-151-03	PANEL (REAR) ASSY (GOLD) (NWZ-S754: CH)	
2	4-192-477-31	BUTTON (VOL) (+, -) (GOLD)		3	9-885-151-04	PANEL (REAR) ASSY (BLACK) (NWZ-S754: MX)	
2	4-192-477-61	BUTTON (VOL) (+, -) (BLUE)					
3	9-885-147-90	PANEL (REAR) ASSY (BLACK)	(NWZ-S754: E, AUS)	3	9-885-151-06	PANEL (REAR) ASSY (BLACK)	(NWZ-S755: E, AUS)
3	9-885-147-92	PANEL (REAR) ASSY (BLACK)	(NWZ-S754: AEP, UK)	3	9-885-151-11	PANEL (REAR) ASSY (WHITE)	(NWZ-S755: AEP, UK)
3	9-885-147-93	PANEL (REAR) ASSY (BLACK)	(NWZ-S755: AEP, UK)	3	9-885-151-12	PANEL (REAR) ASSY (LIGHT PINK)	(NWZ-S755: AEP, UK)
3	9-885-147-94	PANEL (REAR) ASSY (BLACK) (NWZ-S754: EE)		3	9-885-151-13	PANEL (REAR) ASSY (BLUE)	(NWZ-S755: AEP, UK)
3	9-885-147-95	PANEL (REAR) ASSY (BLACK) (NWZ-S755: EE)		4	4-266-233-11	SCREW, 0+Z M1.4X5.5	(for WHITE, LIGHT PINK, GOLD)
3	9-885-147-96	PANEL (REAR) ASSY (BLACK) (NWZ-S754: CND)		4	4-266-233-51	SCREW, 0+Z M1.4X5.5 (for BLACK, BLUE)	
3	9-885-150-87	PANEL (REAR) ASSY (WHITE)	(NWZ-S754: E, AUS)	5	4-192-478-01	KNOB (HOLD) (BLACK)	
3	9-885-150-88	PANEL (REAR) ASSY (LIGHT PINK)	(NWZ-S754: E, AUS)	5	4-192-478-11	KNOB (HOLD) (WHITE)	
3	9-885-150-89	PANEL (REAR) ASSY (BLUE) (NWZ-S754: E, AUS)		5	4-192-478-21	KNOB (HOLD) (LIGHT PINK)	
3	9-885-150-93	PANEL (REAR) ASSY (WHITE)	(NWZ-S754: AEP, UK)	5	4-192-478-31	KNOB (HOLD) (GOLD)	
3	9-885-150-94	PANEL (REAR) ASSY (LIGHT PINK)	(NWZ-S754: AEP, UK)	5	4-192-478-61	KNOB (HOLD) (BLUE)	
3	9-885-150-95	PANEL (REAR) ASSY (BLUE)	(NWZ-S754: AEP, UK)	6	4-192-479-01	SUPPORT (HOLD)	
				7	4-192-494-01	SHEET (ESCUTCHEON)	
				8	4-263-651-01	SHEET ER ADHESIVE	
				9	4-192-493-01	SHEET (VOL) ADHESIVE	

4-2. FRONT PANEL SECTION



Ref. No.	Part No.	Description	Remark	Ref. No.	Part No.	Description	Remark
51	A-1793-285-A	FRONT (B) ASSY, MECHANICAL (BLACK)		53	X-2549-832-2	BUTTON (FRONT) (N) ASSY (BACK, OPTION, ▲, ▶, ▼, ◀, ►, ◀►)	
51	A-1793-286-A	FRONT (W) ASSY, MECHANICAL (WHITE)		53	X-2549-835-2	BUTTON (FRONT) (L) ASSY (BACK, OPTION, ▲, ▶, ▼, ◀, ►, ◀►)	
51	A-1793-863-A	FRONT (PI) ASSY, MECHANICAL (LIGHT PINK)		54	4-192-487-01	RUBBER CONTACT	
51	A-1793-864-A	FRONT (N) ASSY, MECHANICAL (GOLD)		55	4-263-653-01	SPACER (CHASSIS-B)	
51	A-1793-867-A	FRONT (L) ASSY, MECHANICAL (BLUE)		56	4-192-474-01	ESCUTCHEON (HP) (BLACK)	
52	4-209-154-01	SHEET (LCD) ADHESIVE		56	4-192-474-11	ESCUTCHEON (HP) (WHITE)	
53	X-2548-503-2	BUTTON (FRONT) ASSY (BACK, OPTION, ▲, ▶, ▼, ◀, ►, ◀►) (BLACK)		56	4-192-474-21	ESCUTCHEON (HP) (LIGHT PINK)	
53	X-2549-420-2	BUTTON (FRONT) ASSY (BACK, OPTION, ▲, ▶, ▼, ◀, ►, ◀►) (WHITE)		56	4-192-474-31	ESCUTCHEON (HP) (GOLD)	
53	X-2549-831-2	BUTTON (FRONT) (PI) ASSY (BACK, OPTION, ▲, ▶, ▼, ◀, ►, ◀►) (LIGHT PINK)		56	4-192-474-61	ESCUTCHEON (HP) (BLUE)	

NWZ-S754/S755

4-3. LCD, BATTERY SECTION

- Rear side view

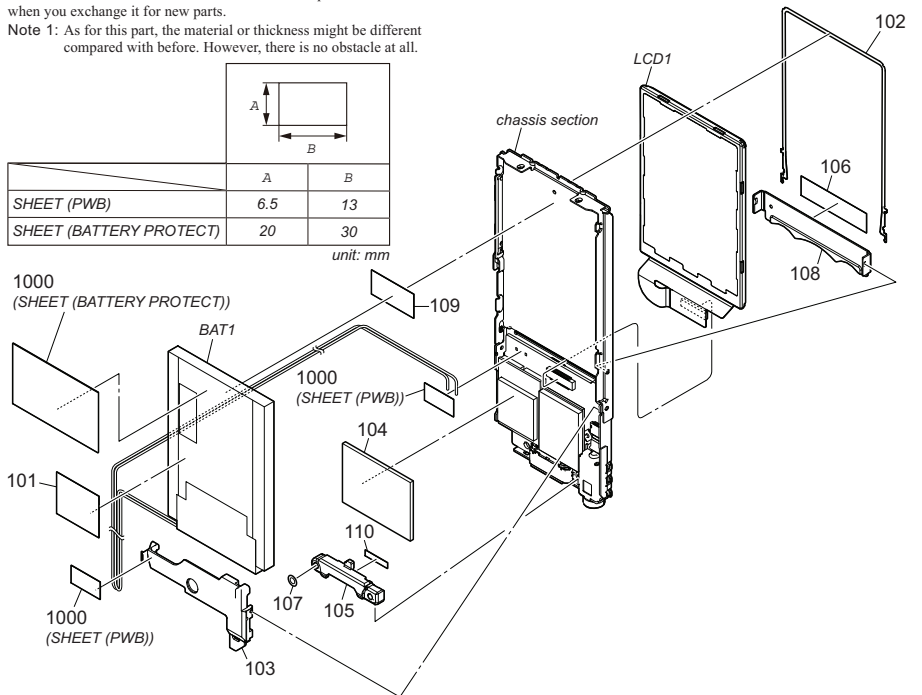
• About Ref. No. 1000

Please cut out and use POLYIMIDE SHEET for a specified size when you exchange it for new parts.

Note 1: As for this part, the material or thickness might be different compared with before. However, there is no obstacle at all.

	A	B
SHEET (PWB)	6.5	13
SHEET (BATTERY PROTECT)	20	30

unit: mm



Note 2: When the battery assy (BAT1) is removed, refer to "ABOUT THE HANDLING OF THE BATTERY ASSY (BAT1)" (page 4).

Ref. No.	Part No.	Description	Remark	Ref. No.	Part No.	Description	Remark
101	4-150-173-01	SHEET (WIRE)		108	4-193-703-01	COVER (LCD)	
102	4-263-336-01	COVER LIGHT		109	4-105-860-11	ADHESIVE, SHEET (BATT)	
103	4-193-078-01	SUPPORT (M)		110	4-192-494-01	SHEET (ESCUTCHEON)	
104	4-198-386-01	CUSHION (NAND)		1000	9-913-402-43	POLYIMIDE SHEET, t=0.075 (for SERVICE)	
105	4-193-704-01	SUPPORT (L)		BAT1	X-2546-032-2	SVX BATTERY ASSY	
106	4-192-488-01	SHEET (COVER LCD), ADHESIVE		LCD1	A-1788-635-A	LCD ASSY	
107	4-287-241-01	SHEET (SCREW)					

4-4. CHASSIS SECTION

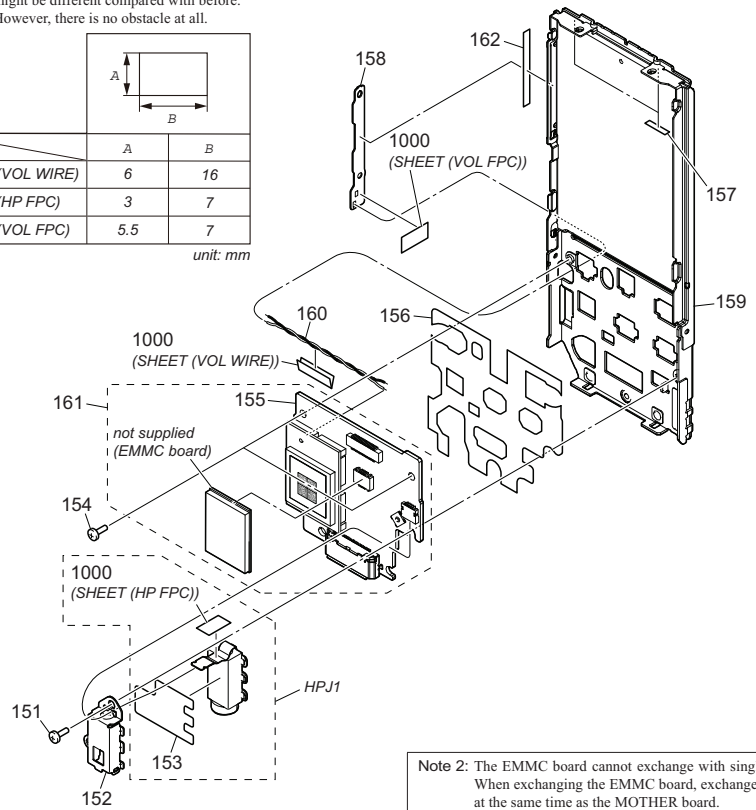
- Rear side view

• About Ref. No. 1000

Please cut out and use POLYIMIDE SHEET for a specified size when you exchange it for new parts.
 Note 1: As for this part, the material or thickness might be different compared with before. However, there is no obstacle at all.

	A	B
SHEET (VOL WIRE)	6	16
SHEET (HP FPC)	3	7
SHEET (VOL FPC)	5.5	7

unit: mm



Note 2: The EMMC board cannot exchange with single. When exchanging the EMMC board, exchange it at the same time as the MOTHER board.

Ref. No.	Part No.	Description	Remark	Ref. No.	Part No.	Description	Remark
151	3-234-449-11	SCREW (M1.4)		159	X-2549-418-1	CHASSIS (ASSY)	
152	4-192-466-01	HOLDER (HP)		160	1-967-566-11	VOL KEY WIRE	
153	4-198-036-01	SHEET (HP JACK)		161	9-885-150-84	SVX 8G PC BOARD ASSY (C) (NWZ-S754)	
154	3-234-449-05	SCREW (M1.4)		161	9-885-150-85	SVX 16G PC BOARD ASSY (C) (NWZ-S755)	
155	9-885-148-43	MOTHER BOARD, COMPLETE (for SERVICE)		162	4-270-374-01	SHEET (FPC) ADHESIVE	
156	4-192-485-01	SHEET (MOTHER)		1000	9-913-402-43	POLYIMIDE SHEET, t=0.075 (for SERVICE)	
157	4-263-652-01	SPACER (CHASSIS-A)		HPJ1	A-1787-881-A	5PIN HP ASSY	
158	A-1784-102-A	VOL KEY ASSY					

NWZ-S754/S755

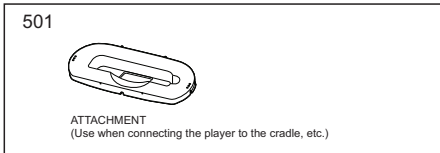
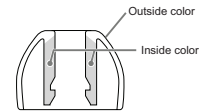
SECTION 5
ACCESSORIES

Ref. No.	Part No.	Description	Remark
	1-477-125-23	ADAPTOR, PLUG (DUAL) (Plug adaptor for in-flight use (single/dual))	
	1-835-737-12	CONNECTION CORD (EXTERNAL AUDIO INPUT) (Audio input cable)	
	1-835-940-61	CORD, PC CONNECTION (USB cable)	
	3-275-254-01	PIECE (M), EAR (Earbud, size M: 1 piece) (BLACK)	
	3-275-254-11	PIECE (M), EAR (Earbud, size M: 1 piece) (WHITE)	
	3-275-255-02	PIECE (S), EAR (Earbud, size S: 1 piece) (BLACK)	
	3-275-255-11	PIECE (S), EAR (Earbud, size S: 1 piece) (WHITE)	
	3-275-256-02	PIECE (L), EAR (Earbud, size L: 1 piece) (BLACK)	
	3-275-256-11	PIECE (L), EAR (Earbud, size L: 1 piece) (WHITE)	
	4-208-967-11	MANUAL, INSTRUCTION (Quick Start Guide) (UKRAINIAN) (EE)	
	4-208-967-21	MANUAL, INSTRUCTION (Quick Start Guide) (ARABIC) (E, AUS)	
	4-208-967-31	MANUAL, INSTRUCTION (Quick Start Guide) (TURKISH) (EE)	
	4-208-967-41	MANUAL, INSTRUCTION (Quick Start Guide) (ITALIAN) (AEP, UK)	
	4-263-867-11	MANUAL, INSTRUCTION (Quick Start Guide) (ENGLISH)	
	4-263-867-21	MANUAL, INSTRUCTION (Quick Start Guide) (FRENCH) (CND, AEP, UK)	
	4-263-867-31	MANUAL, INSTRUCTION (Quick Start Guide) (GERMAN) (AEP, UK)	
	4-263-867-41	MANUAL, INSTRUCTION (Quick Start Guide) (SPANISH) (AEP, UK, MX)	
	4-263-867-61	MANUAL, INSTRUCTION (Quick Start Guide) (RUSSIAN) (EE)	
	4-263-867-71	MANUAL, INSTRUCTION (Quick Start Guide) (SIMPLIFIED CHINESE) (E, AUS, CH)	
	4-263-867-81	MANUAL, INSTRUCTION (Quick Start Guide) (TRADITIONAL CHINESE) (E, AUS)	
	4-263-867-91	MANUAL, INSTRUCTION (Quick Start Guide) (KOREAN) (E, AUS)	
	A-1729-717-A	MDR-NC033LP/BM (SET-D) (Headphones) (including ear buds: size S/M/L) (for BLACK, GOLD)	
	A-1745-281-A	MDR-NC033LP/WM (SET) (Headphones) (including ear buds: size S/M/L) (for WHITE, LIGHT PINK, BLUE)	
501	4-192-483-01	ATTACHMENT (FI-O) (Attachment)	

• Earbud sizes and color

Size	Outside color	Inside color	Headphones color	WALKMAN color
S	BLACK	ORANGE	Black	Black, Gold
	WHITE		White	White, Light Pink, Blue
M	BLACK	GREEN	Black	Black, Gold
	WHITE		White	White, Light Pink, Blue
L	BLACK	LIGHT BLUE	Black	Black, Gold
	WHITE		White	White, Light Pink, Blue

Earbud Sectional View:



- Abbreviation
 - AUS : Australian model
 - CH : Chinese model
 - CND : Canadian model
 - EE : East European model
 - MX : Mexican model

MEMO

