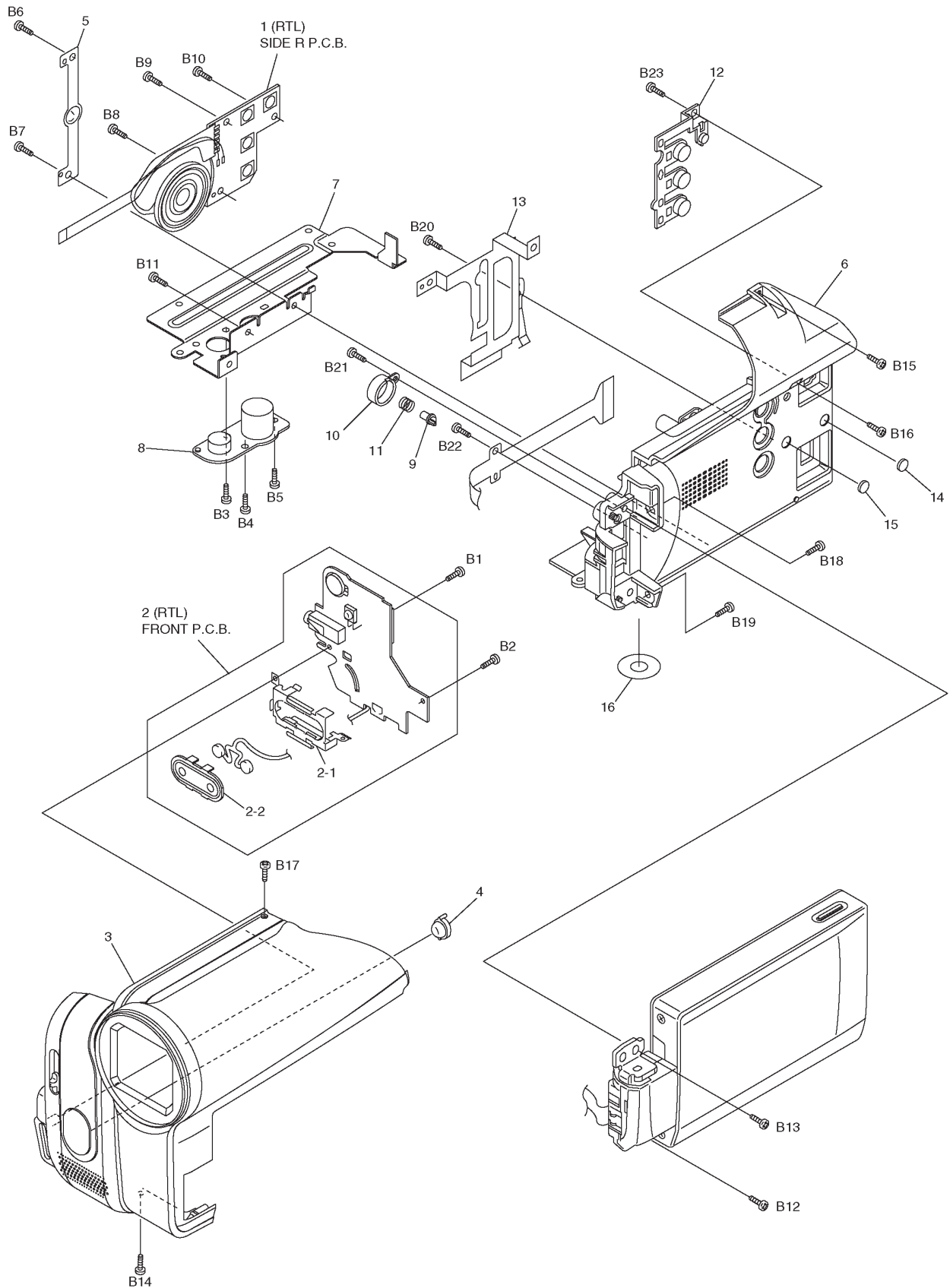
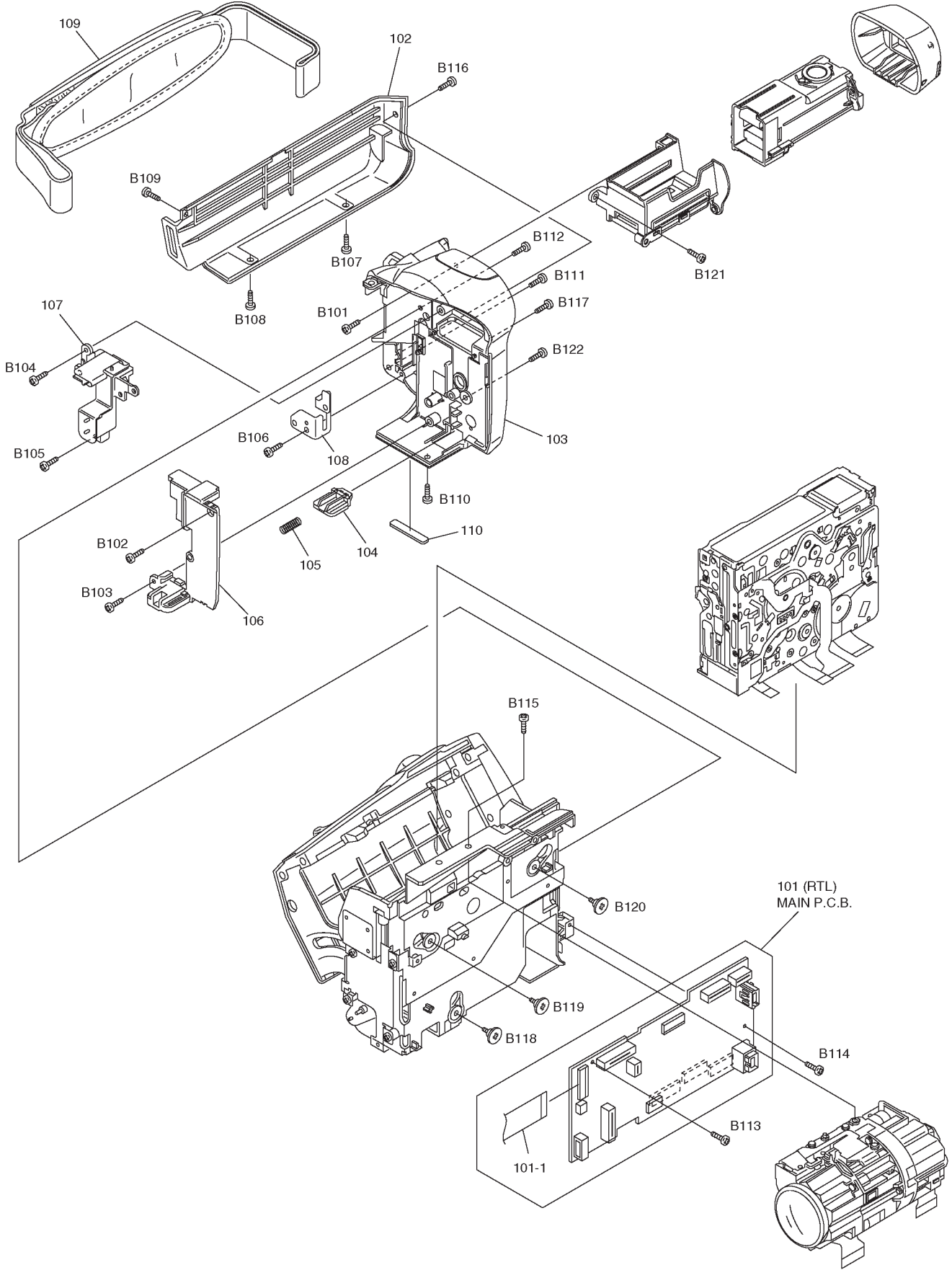


13 Parts and Exploded Views

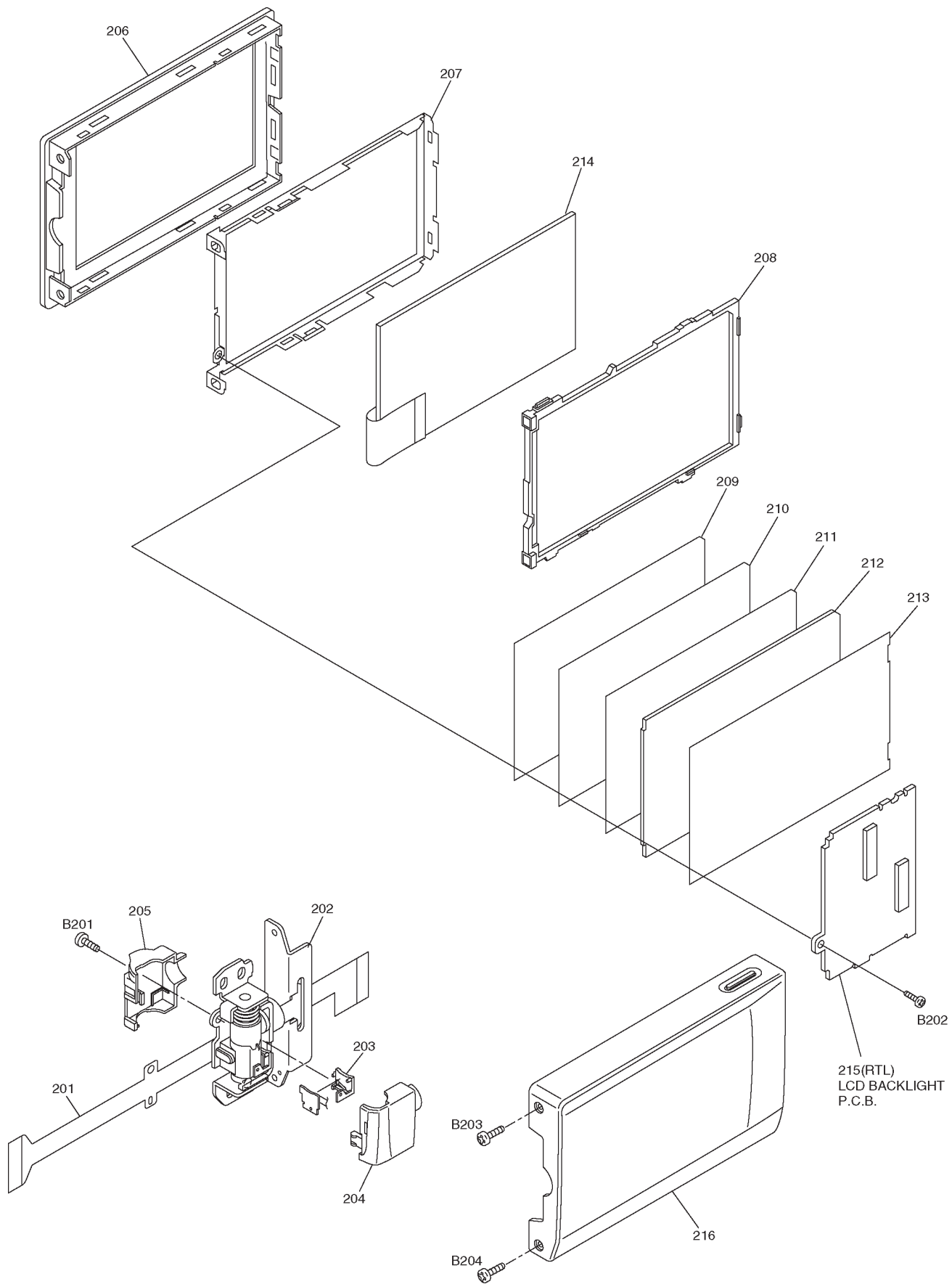
13.1. Exploded Views

13.1.1. Frame & Casing Section

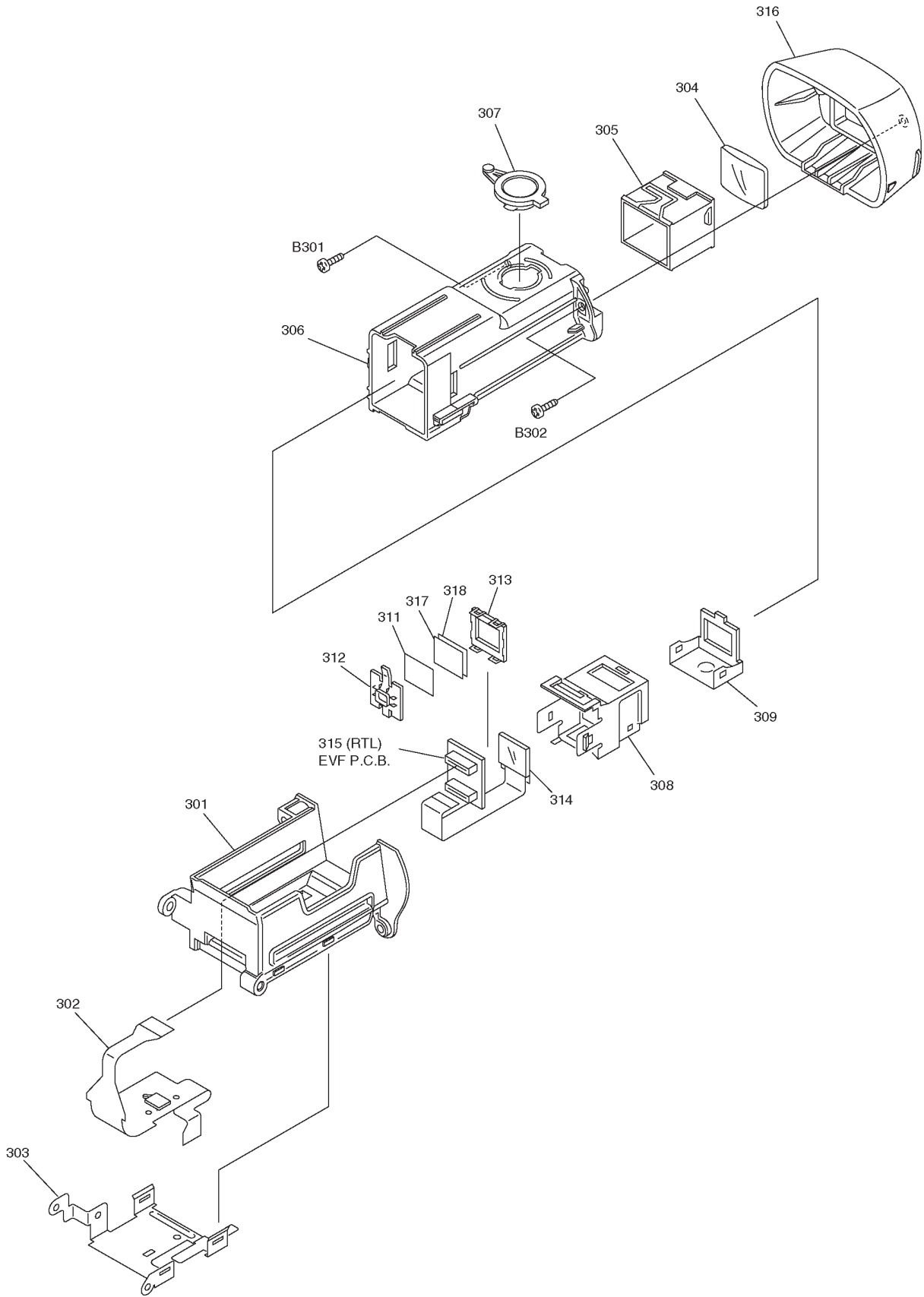




13.1.2. LCD Section



13.1.3. EVF Section

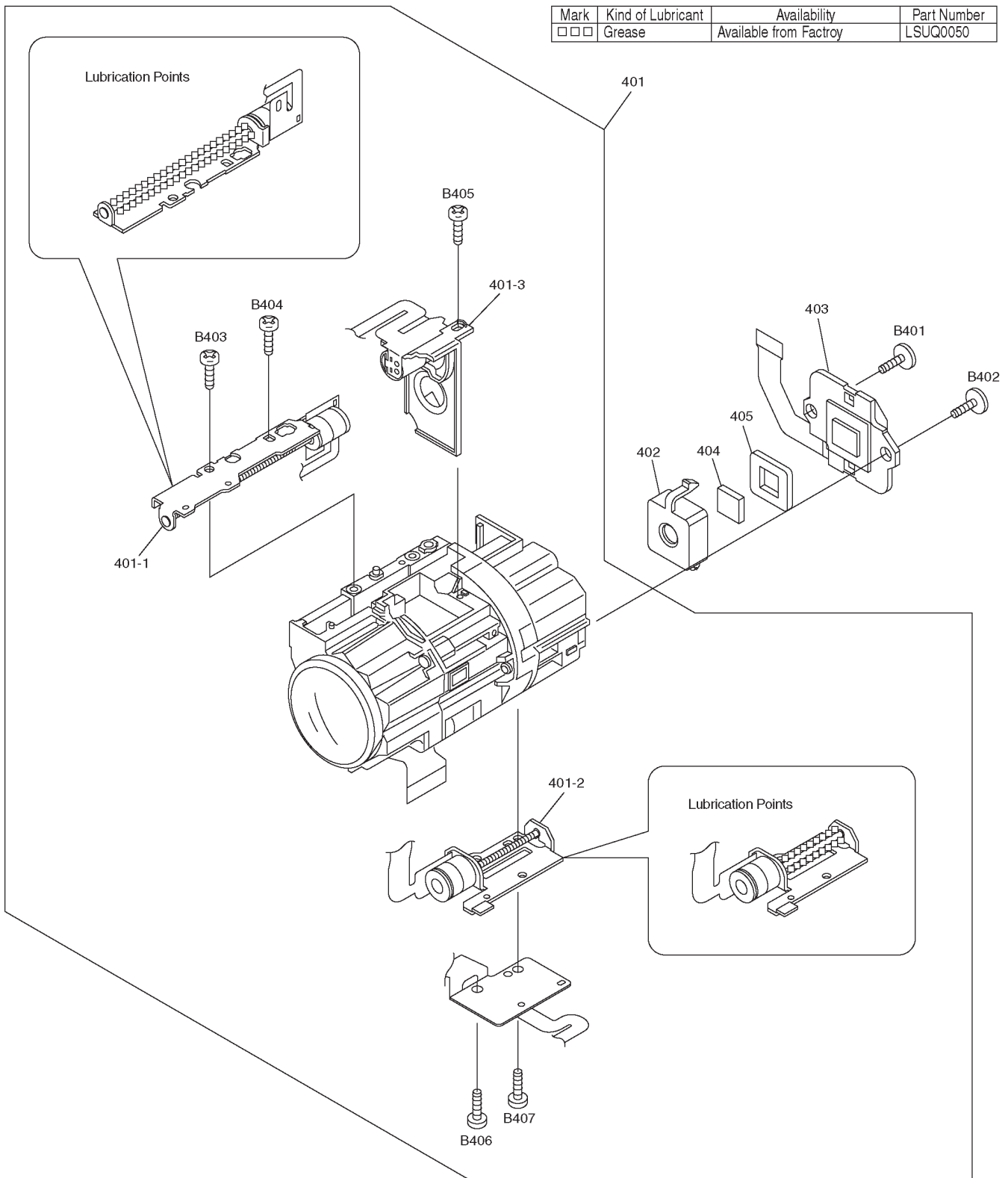


13.1.4. Camera Lens Section

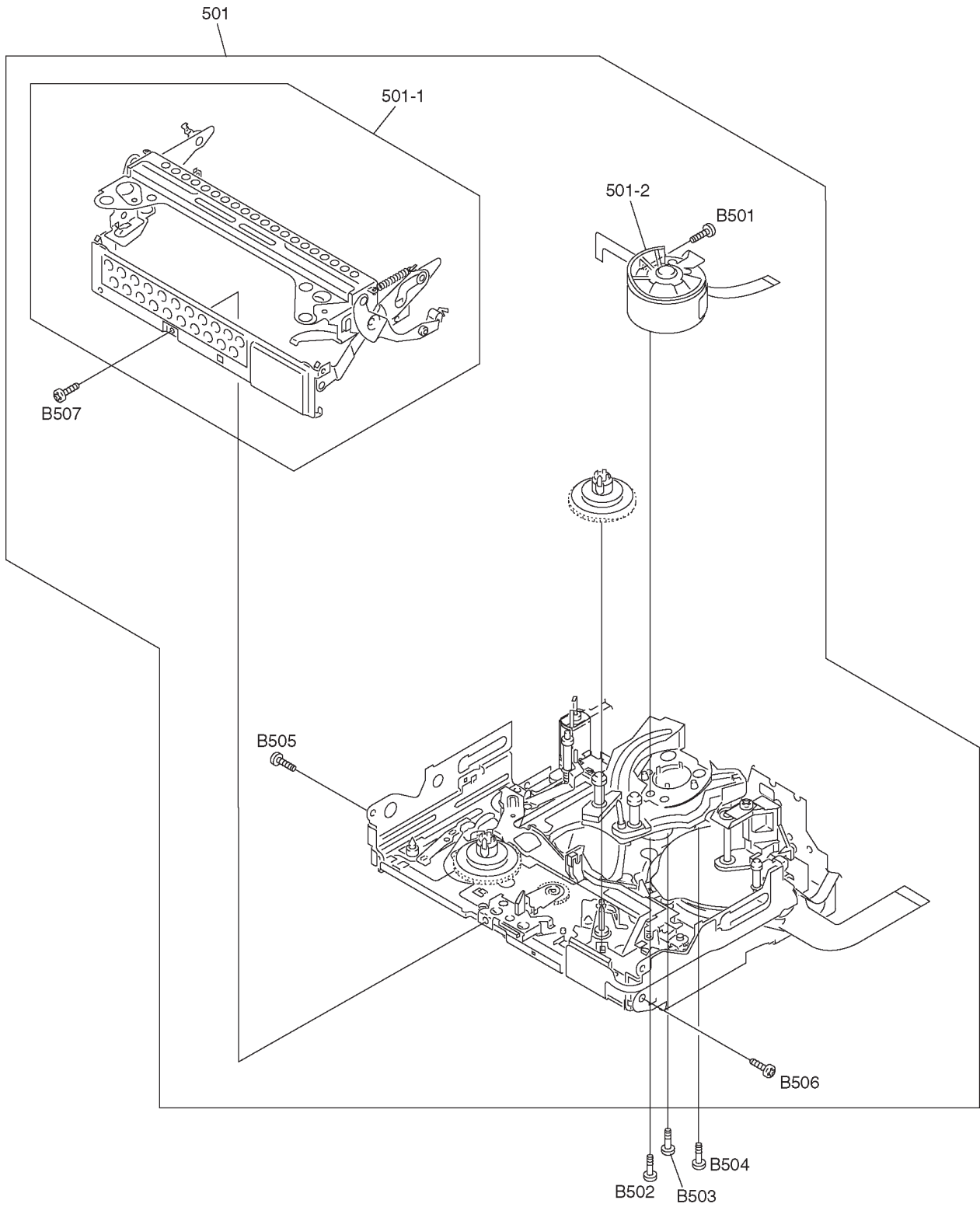
LUBRICATION POINTS

When the marked parts are replaced, apply the recommended lubricants or adhesive for better maintenance of the unit.

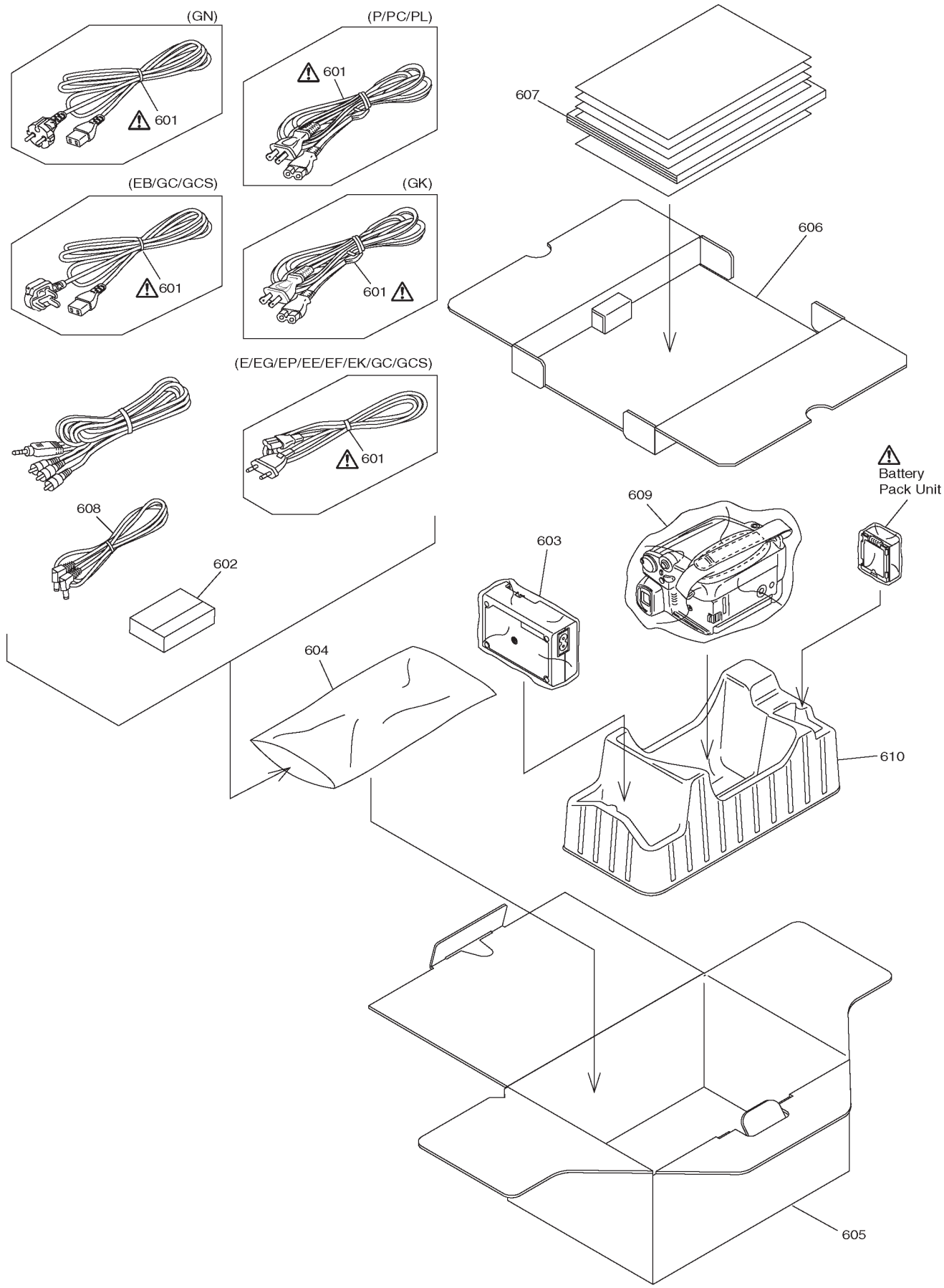
Mark	Kind of Lubricant	Availability	Part Number
□□	Grease	Available from Factory	LSUQ0050



13.1.5. VCR Mechanism Section



13.1.6. Packing Parts & Accessories Section



13.2. Replacement Parts List

13.2.1. Frame & Casing Section Parts List

Note: 1. *Be sure to make your orders of replacement parts according to this list.
2. IMPORTANT SAFETY NOTICE
Components identified with the mark Δ have the special characteristics for safety. When replacing any of these components, use only the same type.

Ref. No.	Part No.	Part Name & Description	Pcs	Remarks
1	LSEP8453A1	SIDE R C.B.A	1	(RTL) (PSECI)
2	LSEP8440B1	FRONT P.C.B.	1	(PSECI)
2-1	LSMG0190	MIC DAMPER	1	(PSECI)
2-2	LSSC1013	FRONT SHIELD CASE	1	(PSECI)
3	LSYK2268	FRONT U	1	(PSECI)
4	LSMD0822	LED LIGHT LENS	1	(PSECI)
5	LSMA1043	SPEAKER ANGLE	1	(PSECI)
6	LSKM1717	SIDE CASE R	1	(PSECI)
7	LSMA1042	BOTTOM ANGLE	1	(PSECI)
8	LSHN0021	TRIPOD SCREW	1	(PSECI)
9	LSMD0895	LCD OPEN PIECE	1	(PSECI)
10	LSKF0707	PIECE COVER	1	(PSECI)
11	LSMB0353	PIECE SPRING	1	(PSECI)
12	LSSC1030	R EARTH PLATE	1	(PSECI)
13	LSGU0744	R OPERATION BUTTON	1	(PSECI)
14	LSMT0441	LCD CUSHION	1	(PSECI)
15	LSMT0441	LCD CUSHION	1	(PSECI)
16	LSGQ0222	TRIPOD SHEET	1	(PSECI)
B1	XQN16+BJ5FN	SCREW	1	
B2	XQN16+BJ5FN	SCREW	1	
B3	XQN16+BF3FN	SCREW	1	
B4	XQN16+BF3FN	SCREW	1	
B5	XQN16+BF3FN	SCREW	1	
B6	XQN16+BJ4FN	SCREW	1	
B7	XQN16+BJ4FN	SCREW	1	
B8	XQN16+BJ4FN	SCREW	1	
B9	XQN16+BJ4FN	SCREW	1	
B10	XQN16+BJ4FN	SCREW	1	
B11	XQN16+BJ4FN	SCREW	1	
B12	XQN2+BF5FN	SCREW	1	
B13	XQN2+BJ5FN	SCREW	1	
B14	XQN16+BF4FN	SCREW	1	
B15	XQN16+BJ5FN	SCREW	1	
B16	XQN16+BJ5FN	SCREW	1	
B17	XQN16+BJ5FN	SCREW	1	
B18	XQN16+BJ5FN	SCREW	1	
B19	XQN16+BJ5FN	SCREW	1	
B20	XQN16+BJ4FN	SCREW	1	
B21	XQN16+BJ4FN	SCREW	1	
B22	XQN16+BJ4FN	SCREW	1	
B23	XQN16+BJ4FN	SCREW	1	
101	LSEP8439Q1	MAIN P.C.B.	1	(RTL) (PSECI) EE, EK, GC, GCS, GN, GK
101	LSEP8439P1	MAIN P.C.B.	1	(RTL) (PSECI) EB, EF, EG, EP, E
101	LSEP8439A1	MAIN P.C.B.	1	(RTL) (PSECI) P, PC, PL
101-1	LSJB8441-1	FRONT FPC	1	(PSECI)
102	LSKM1719	BOTTOM CASE	1	(PSECI)
103	LSKM1701	BATTERY CASE	1	(PSECI)
104	LSGT0622	BATTERY RELEASE KNOB	1	(PSECI)
105	LSMB0346	BATTERY RELEASE SPRING	1	(PSECI)
106	LSGF0551	BATTERY RELEASE HOLDER	1	(PSECI)
107	LSYY0818	BATTERY TERMINAL FPC U	1	(PSECI)
108	LSMA1045	STRAP ANGLE R	1	(PSECI)
109	LSGQ0263	GRIP BELT U	1	(PSECI)

Ref. No.	Part No.	Part Name & Description	Pcs	Remarks
110	LSKA0035	RUBBER FOOT	1	(PSECI)
B101	XQN16+BJ4FN	SCREW	1	
B102	XQN16+BJ4FN	SCREW	1	
B103	XQN16+BJ4FN	SCREW	1	
B104	XQN16+BJ4FN	SCREW	1	
B105	XQN16+BJ4FN	SCREW	1	
B106	XQN16+BJ4FN	SCREW	1	
B107	XQN16+BF4FN	SCREW	1	
B108	XQN16+BF4FN	SCREW	1	
B109	XQN16+BF4FN	SCREW	1	
B110	XQN16+BF4FN	SCREW	1	
B111	XQN16+BF4FN	SCREW	1	
B112	XQN16+BF4FN	SCREW	1	
B113	XQN16+BJ4FN	SCREW	1	
B114	XQN16+BJ4FN	SCREW	1	
B115	XQN16+BJ5FN	SCREW	1	
B116	XQN16+BJ5FN	SCREW	1	
B117	XQN16+BJ5FN	SCREW	1	
B118	LSHD0051	SCREW	1	(PSECI)
B119	LSHD0051	SCREW	1	(PSECI)
B120	LSHD0051	SCREW	1	(PSECI)
B121	XQN16+BJ5FN	SCREW	1	(PSECI)
B122	XQN16+BJ5FN	SCREW	1	(PSECI)

13.2.2. LCD Section Parts List

Note: 1. *Be sure to make your orders of replacement parts according to this list.
2. IMPORTANT SAFETY NOTICE
Components identified with the mark Δ have the special characteristics for safety. When replacing any of these components, use only the same type.

Ref. No.	Part No.	Part Name & Description	Pcs	Remarks
201	LSEP8435A1	LCD SHAFT FPC	1	(PSECI)
202	LSXA0946	SHAFT U	1	(PSECI)
203	LSMD0880	SHAFT SW HOLDER	1	(PSECI)
204	LSKM1685	SHAFT CASE A	1	(PSECI)
205	LSKM1686	SHAFT CASE B	1	(PSECI)
206	LSKM1649	LCD CASE B	1	(PSECI)
207	LSSC1011	LCD SHIELD CASE	1	(PSECI)
208	LSXY1245	PANEL HOLDER U	1	(PSECI)
209	LSGL1523	BEF SHEET A WIDE	1	(PSECI)
210	LSGL1524	BEF SHEET B WIDE	1	(PSECI)
211	LSGL1525	DIFFUSION SHEET WIDE	1	(PSECI)
212	LSGL1526	LEAD LIGHT PANEL	1	(PSECI)
213	LSGL1527	REFLECT SHEET WIDE	1	(PSECI)
214	LSBDDYH00026	LCD	1	(PSECI)
215	LSEP8433A1	LCD BACKLIGHT P.C.B.	1	(RTL) (PSECI)
216	LSKM1684	LCD CASE A	1	(PSECI) EB, EE, EF, EG, EK, EP, E, GC, GCS, GN
216	LSKM1683	LCD CASE A	1	(PSECI) GK
216	LSKM1681	LCD CASE A	1	(PSECI) P, PC, PL
B201	XQN16+BJ4FN	SCREW	1	
B202	XQN16+B3FN	SCREW	1	(PSECI)
B203	XQN16+BF4FN	SCREW	1	
B204	XQN16+BF4FN	SCREW	1	

13.2.3. EVF Section Parts List

Note: 1. *Be sure to make your orders of replacement parts according to this list.
2. IMPORTANT SAFETY NOTICE
Components identified with the mark Δ have the special characteristics for safety. When replacing any of these components, use only the same type.

Ref. No.	Part No.	Part Name & Description	Pcs	Remarks
301	LSKM1700	EVF BASE FRAME	1	(PSECI)
302	LSEP8436A1	EVF FPC	1	(PSECI)
303	LSMA1035	EVF LOCK PLATE	1	(PSECI)
304	LSFL0176	EVF LENS	1	
305	LSMD0851	LENS HOLDER	1	(PSECI)
306	LSKM1659	EVF CASE	1	(PSECI)
307	LSGT0619	EYE SIGHT LEVER	1	(PSECI)
308	LSMD0847	EVF MASK CASE	1	(PSECI)
309	LSMD0848	EVF MASK TOP COVER	1	(PSECI)
311	LSDL0360	DIFFUSION SHEET	1	(PSECI)
312	LSMD0849	EVF REFLECT PIECE	1	(PSECI)
313	LSMD0850	EVF SHEET HOLDER	1	(PSECI)
314	L5BDDXH00027	LCD PANEL	1	(PSECI)
315	LSEP8365A1	EVF B/L P.C.B.	1	(RTL) (PSECI)
316	LSGQ0266	EYE CAP	1	(PSECI)
317	LSDL0359	PROTECT PLATE	1	(PSECI)
318	LSDL0359	PROTECT PLATE	1	(PSECI)
B301	XQN16+BJ4FN	SCREW	1	
B302	XQN16+BJ4FN	SCREW	1	

13.2.4. Camera Lens Section Parts List

Note: 1. *Be sure to make your orders of replacement parts according to this list.
2. IMPORTANT SAFETY NOTICE
Components identified with the mark Δ have the special characteristics for safety. When replacing any of these components, use only the same type.

Ref. No.	Part No.	Part Name & Description	Pcs	Remarks
401	LSXN0054	KL102 LENS (U)	1	(EXCEPT EP) (PSECI)
401	LSXN0053	KL102 LENS (U)	1	(PSECI) EP
401-1	L6HA66NB0009	ZOOM MOTOR U	1	(PSECI)
401-2	L6HA66NB0010	FOCUS MOTOR U	1	(PSECI)
401-3	LSEM0111	IRIS U	1	(PSECI)
402	LSDW0122	CCD CASE	1	(PSECI)
403	LSEP8434B1	CCD P.C.B.	1	(PSECI) (EXCEPT P/PC/PL)
403	LSEP8434A1	CCD P.C.B.	1	(PSECI) P, PC, PL
404	LSFL0292	OPTICAL LPF	1	(PSECI)
405	VMX3282	CCD CUSHION RUBBER	1	
B401	LSHD0136	SCREW	1	(PSECI)
B402	LSHD0136	SCREW	1	(PSECI)
B403	XQN16+BJ4FN	SCREW	1	
B404	XQN16+BJ4FN	SCREW	1	
B405	XQN16+BJ4FN	SCREW	1	
B406	XQN16+BJ4FN	SCREW	1	
B407	XQN16+BJ4FN	SCREW	1	

13.2.5. VCR Mechanism Section Parts List

Note: 1. *Be sure to make your orders of replacement parts according to this list.
2. IMPORTANT SAFETY NOTICE
Components identified with the mark Δ have the special characteristics for safety. When replacing any of these components, use only the same type.

Ref. No.	Part No.	Part Name & Description	Pcs	Remarks
501	LSYK2356	MECHANISM U	1	(PSECI) (EXCEPT GC)
501	LSYK2358	MECHANISM U	1	GC
501-1	VXA8334	CASSETTE UP U	1	
501-2	VEG1704	CYLINDER U	1	
B501	VHD1674	ROTOR SET SCREW	1	(PSECI)
B502	VHD1861	SCREW	1	

Ref. No.	Part No.	Part Name & Description	Pcs	Remarks
B503	VHD1861	SCREW	1	
B504	VHD1861	SCREW	1	
B505	VHD1754	SCREW	1	
B506	VHD1754	SCREW	1	
B507	VHD1583	SCREW	1	(PSECI)

13.2.6. Packing Parts & Accessories Section Parts List

Note: 1. *Be sure to make your orders of replacement parts according to this list.
2. IMPORTANT SAFETY NOTICE
Components identified with the mark Δ have the special characteristics for safety. When replacing any of these components, use only the same type.
3. Supply of CD-ROM, in accordance with license protection, is allowable as replacement parts only for customers who accidentally damaged or lost their own.

Ref. No.	Part No.	Part Name & Description	Pcs	Remarks
601	K2CQ2CA00006	AC CORD	1	EE, EF, EG, EK, E P, E, GC, GCS Δ
601	K2CT3CA00004	AC CORD	1	EB, GC, GCS Δ
601	K2CJ2DA00011	AC CORD	1	GN Δ
601	K2CA2CA00020	AC CORD	1	GK Δ
601	K2CA2CA00029	AC CORD	1	P, PC, PL Δ
602	AY-DVMCLDKC	CLEANING CASSETTE	1	(PSECI) EE, GC, GCS, GN, GK
603	DE-A51CA	POWER CHARGERS	1	(PSECI) EB, EE, EF, EG, EK, EP, E, GC, Δ
				GCS, GN
603	DE-A51DA	POWER CHARGERS	1	(PSECI) GK Δ
603	DE-A51BA	POWER CHARGERS	1	(PSECI) P, PC, P L Δ
604	LSPF0107	POLY BAG	1	
605	LSPG2586	PACKING CASE	1	(PSECI) EE, GCS, GN
605	LSPG2584	PACKING CASE	1	(PSECI) EB, EF, EG, EK, E
605	LSPG2614	PACKING CASE	1	(PSECI) EP
605	LSPG2585	PACKING CASE	1	GC
605	LSPG2587	PACKING CASE	1	(PSECI) GK
605	LSPG2583	PACKING CASE	1	(PSECI) P, PC, P L
606	LSPN0884	PAD	1	(PSECI)
607	LSQT1291-A	O/I	1	(PSECI) EB
607	LSQT1293-A	O/I	1	(PSECI) EE
607	LSQT1288-A	O/I	1	(PSECI) EF, EG, EK
607	LSQT1287-A	O/I	1	(PSECI) EG, EK
607	LSQT1290-A	O/I	1	(PSECI) EP
607	LSQT1289-A	O/I	1	(PSECI) E
607	LSQT1292-A	O/I	1	(PSECI) GC, GCS
607	LSQT1294-A	O/I	1	(PSECI) GN
607	LSQT1295-A	O/I	1	(PSECI) GK
607	LSQT1284-A	O/I	1	(PSECI) P, PC
607	LSQT1285-A	O/I	1	(PSECI) PC
607	LSQT1286-A	O/I	1	(PSECI) PL
608	K2GJ2DC00011	DC CABLE	1	
609	VPF1112	POLYETHYLENE BAG	1	(EXCEPT P/PC/PL)
610	LSPN0899	BOTTOM PAD	1	(PSECI)

13.2.7. Electrical Replacement Parts List

Note: 1. Be sure to make your orders of replacement parts according to this list.
2. IMPORTANT SAFETY NOTICE: Components identified with the mark Δ have the special characteristics for safety. When replacing any of these components, use only the same type.
3. Unless otherwise specified,
All resistors are in OHMS, K=1,000 OHMS. All capacitors are in MICROFARADS (uf), P=ufF.
4. The P.C. Board units marked with "■" show below the main assembled parts.
5. The marking (RTL) indicates the retention time is limited for this item.
After the discontinuation of this assembly in production, it will no longer be available.

Ref. No.	Part No.	Part Name & Description	Pcs	Remarks
■	LSEP8439Q1	MAIN P.C.B.	1	(RTL) (PSECI) EE, EK, GC, GCS, GN, GK
■	LSEP8439P1	MAIN P.C.B.	1	(RTL) (PSECI) EB, EF, EG, EP, E
■	LSEP8439A1	MAIN P.C.B.	1	(RTL) (PSECI) P, PC, P L
■	LSEP8434A1	CCD P.C.B.		(PSECI) P, PC, P L
■	LSEP8434B1	CCD P.C.B.	1	(PSECI) (EXCEPT P/PC/PL)
■	LSEP8440B1	FRONT P.C.B.	1	(PSECI)
■	LSEP8365A1	EVF B/L P.C.B.	1	(RTL) (PSECI)
■	LSEP8436A1	EVF FPC	1	(PSECI)
■	LSEP8442A1	BATTERY FPC	1	(PSECI)
■	LSEP8453A1	SIDE R C.B.A	1	(RTL) (PSECI)
■	LSEP8433A1	LCD BACKLIGHT P.C.B.	1	(RTL) (PSECI)
■	LSEP8435A1	LCD SHAFT FPC	1	(PSECI)
■	LSEP8434A1	CCD P.C.B.		(PSECI) P, PC, P L
■	LSEP8434B1	CCD P.C.B.		(PSECI) (EXCEPT P/PC/PL)
C601	ECJ2FB1C105K	C.CAPACITOR CH 16V 1U	1	
C602	ECUM1A106KBM	C.CAPACITOR CH 10V 10U	1	
Q601	2SC3931CTX	CHIP TRANSISTOR	1	
R601	ERJ3GEYJ562	M.RESISTOR CH 1/10W 5.6K	1	
R602	ERJ6GEY0R00V	M.RESISTOR CH 1/10W 0	1	
TH601	D4CC11030013	THERMISTOR	1	
■	LSEP8440B1	FRONT P.C.B.		
BT7001	ML-621S/F9DE	BATTERY	1	△ (PSECI)
C4301	ECJ1VB1A105K	C.CAPACITOR CH 10V 1U	1	
C4801	ECJ1VB1A105K	C.CAPACITOR CH 10V 1U	1	
C4802	ECJ1VB1A105K	C.CAPACITOR CH 10V 1U	1	
C4803	F1J0J106A004	C.CAPACITOR CH 6.3V 10U	1	
C4804	ECJ1VB1H822K	C.CAPACITOR CH 50V 8200P	1	
C4805	ECJ1VB1C273K	C.CAPACITOR CH 16V 0.027U	1	
C4806	F1H1C273A041	CHIP-CAPACITOR 16V 0.027U	1	(PSECI)
C4808	F1H1C273A041	CHIP-CAPACITOR 16V 0.027U	1	(PSECI)
C4809	ECJ1VB1H822K	C.CAPACITOR CH 50V 8200P	1	
C4810	F1H1C273A041	CHIP-CAPACITOR 16V 0.027U	1	(PSECI)
C4812	F3F0J226A055	E.CAPACITOR CH 6.3V 22U	1	
C6503	ECJ1VB1A224K	C.CAPACITOR CH 10V 0.22U	1	
C6504	ECJ1XB1C104K	C.CAPACITOR CH 16V 0.1U	1	
C6505	ECJ1VB1A224K	C.CAPACITOR CH 10V 0.22U	1	
C7101	ECJ1VB1H472K	C.CAPACITOR CH 50V 4700P	1	
C7102	ECJ1VB1H472K	C.CAPACITOR CH 50V 4700P	1	

Ref. No.	Part No.	Part Name & Description	Pcs	Remarks
C7801	F1J1A106A023	C.CAPACITOR CH 10V 10U	1	
C7802	F1J1A106A023	C.CAPACITOR CH 10V 10U	1	
C7803	F3F0J226A055	E.CAPACITOR CH 6.3V 22U	1	
C7804	F3F0J226A055	E.CAPACITOR CH 6.3V 22U	1	
D4301	B3AFB0000126	LED	1	(PSECI)
D4302	B0BC6R200019	DIODE	1	(PSECI)
D4303	B0BC6R200019	DIODE	1	(PSECI)
D6503	B0ADEJ000038	DIODE	1	(PSECI)
D6504	B3GA00000062	DIODE	1	
D7101	D4ED1120A005	VARISTOR	1	
FP6501	K1MN22BA0197	CONNECTOR 22P	1	
IC4801	C0ABBB000369	IC	1	
IC7801	L2ES00000016	GYROSCOPE	1	
IC7802	L2ES00000017	GYROSCOPE	1	
JK7101	K2HC104E0017	JACK	1	(PSECI)
L7801	G1C100KA0031	COIL 10UH	1	(PSECI)
Q4301	2SD1819ARL	TRANSISTOR	1	
Q4302	2SD1819ARL	TRANSISTOR	1	
Q4305	2SB1218ARL	TRANSISTOR	1	
Q4306	UNR9112J	TRANSISTOR	1	
Q4307	UNR9213J	TRANSISTOR- RESISTOR	1	
Q4801	2SD2216J08	TRANSISTOR	1	
Q6501	B1ABCF000098	TRANSISTOR	1	
Q6502	2SB1218ARL	TRANSISTOR	1	
R4301	ERJ3GEYJ240	M.RESISTOR CH 1/10W 24	1	(PSECI)
R4302	ERJ3GEYJ240	M.RESISTOR CH 1/10W 24	1	(PSECI)
R4303	D0GB2R2JA057	M.RESISTOR CH 1/10W 2.2	1	(PSECI)
R4305	VRE0071E472	M.RESISTOR CH 1/10W 4.7K	1	
R4306	VRE0071E333	M.RESISTOR 33K	1	
R4307	VRE0071E562	M.RESISTOR 5.6K	1	
R4308	VRE0071E471	M.RESISTOR CH 1/10W 470	1	
R4311	ERJ3GEYJ240	M.RESISTOR CH 1/10W 24	1	(PSECI)
R4312	ERJ3GEYJ240	M.RESISTOR CH 1/10W 24	1	(PSECI)
R4802	ERJ3GEYJ472	M.RESISTOR CH 1/10W 4.7K	1	
R4803	ERJ3GEYJ223	M.RESISTOR CH 1/10W 22K	1	
R4804	ERJ3GEYJ333	M.RESISTOR CH 1/10W 33K	1	
R4805	D0GB124JA057	M.RESISTOR CH 1/10W 120K	1	
R4806	ERJ3GEYJ333	M.RESISTOR CH 1/10W 33K	1	
R4807	VRE0071E392	M.RESISTOR CH 1/10W 3.9K	1	
R4808	D0GB124JA057	M.RESISTOR CH 1/10W 120K	1	
R4809	ERJ3GEYJ333	M.RESISTOR CH 1/10W 33K	1	
R4810	VRE0071E392	M.RESISTOR CH 1/10W 3.9K	1	
R6504	ERJ3GEYJ106	M.RESISTOR CH 1/10W 10M	1	
R6505	ERJ3GEYJ335	M.RESISTOR CH 1/10W 3.3M	1	
R6506	D0GB184JA057	M.RESISTOR CH 1/10W 180K	1	
R6507	D0GB103JA057	M.RESISTOR CH 1/10W 10K	1	

Ref. No.	Part No.	Part Name & Description	Pcs	Remarks
R6509	D0GB102JA057	M.RESISTOR CH 1/10W 1K	1	
R7001	ERJ3GEYJ122	M.RESISTOR CH 1/10W 1.2K	1	
R7101	J0JBC0000014	FILTER	1	
R7102	J0JBC0000014	FILTER	1	
R7103	J0JBC0000014	FILTER	1	
R7104	ERJ3GEYJ392	M.RESISTOR CH 1/10W 3.9K	1	
SW2	ESE22MH22	SWITCH	1	
■	LSEP8365A1	EVF B/L P.C.B.		(RTL) (PSECI)
C8902	F1H1A105A036	C.CAPACITOR CH 10V 1U	1	
C8903	F1H0J1050012	C.CAPACITOR CH 6.3V 1U	1	
D8901	B3AFB0000129	DIODE	1	
D8902	MAZ80470ML	DIODE	1	
D8903	MA3S13300L	DIODE	1	
FP8901	K1MN16A00077	CONNECTOR 16P	1	
FP8902	K1MN18A00064	CONNECTOR 18P	1	
Q8901	2SC6054J0L	TRANSISTOR	1	
R8901	ERJ3GEYJ472	M.RESISTOR CH 1/10W 4.7K	1	
R8903	ERJ3RBD101	M.RESISTOR CH 1/10W 100	1	
■	LSEP8436A1	EVF FPC		(PSECI)
SW9201	ESE18L61D	SWITCH	1	(PSECI)
■	LSEP8442A1	BATTERY FPC		(PSECI)
L1201	J0JHC0000031	FILTER	1	
L1202	J0JHC0000031	FILTER	1	
■	LSEP8453A1	SIDE R C.B.A		(RTL) (PSECI)
R7501	ERJ3GEYJ272	M.RESISTOR CH 1/10W 2.7K	1	
R7502	ERJ3GEYJ562	M.RESISTOR CH 1/10W 5.6K	1	
SW7501	K0F111A00547	SWITCH	1	
SW7502	K0F111A00547	SWITCH	1	
SW7503	K0F111A00547	SWITCH	1	
SW7504	K0F111A00547	SWITCH	1	
■	LSEP8433A1	LCD BACKLIGHT P.C.B.		(RTL) (PSECI)
C8104	F1H1H390A765	C.CAPACITOR CH 50V 39P	1	(PSECI)
C8105	F1H1H390A765	C.CAPACITOR CH 50V 39P	1	(PSECI)
C8106	F1H1H390A765	C.CAPACITOR CH 50V 39P	1	(PSECI)
C8107	F1H1A105A036	C.CAPACITOR CH 10V 1U	1	
C8109	F1J1A475A024	C.CAPACITOR CH 10V 4.7U	1	
C8111	F1H1C104A075	C.CAPACITOR CH 16V 0.1U	1	(PSECI)
C8112	F1J1A2250007	C.CAPACITOR CH 10V 2.2U	1	
C8113	F1H1A105A036	C.CAPACITOR CH 10V 1U	1	
C8116	F1H0J1050012	C.CAPACITOR CH 6.3V 1U	1	
D8101	MAZ80620ML	DIODE	1	

Ref. No.	Part No.	Part Name & Description	Pcs	Remarks
D8102	B3AFB0000215	LED	1	(PSECI)
D8104	B3AFB0000215	LED	1	(PSECI)
D8107	B3AFB0000215	LED	1	(PSECI)
D8109	B3AFB0000215	LED	1	(PSECI)
D8113	MAZ80510ML	DIODE	1	
FP8101	K1MN22BA0197	CONNECTOR 22P	1	
FP8102	K1MN24BA0196	CONNECTOR 24P	1	(PSECI)
L8101	G1C101KA0031	CHIP INDUCTOR 100UH	1	(PSECI)
Q8101	2SC6054J0L	TRANSISTOR	1	
Q8102	2SC6054J0L	TRANSISTOR	1	
Q8104	2SC6054J0L	TRANSISTOR	1	
Q8105	2SC6054J0L	TRANSISTOR	1	
Q8107	2SA2174J0L	TRANSISTOR	1	
Q8112	2SA2174J0L	TRANSISTOR	1	
Q8113	2SA2174J0L	TRANSISTOR	1	
R8102	ERA3YED271V	M.RESISTOR CH 1/16W 270	1	(PSECI)
R8105	ERA3YED271V	M.RESISTOR CH 1/16W 270	1	(PSECI)
R8106	ERA3YED271V	M.RESISTOR CH 1/16W 270	1	(PSECI)
R8107	ERJ3RED270	M.RESISTOR CH 1/10W 27	1	
R8110	ERJ3RED270	M.RESISTOR CH 1/10W 27	1	
R8112	ERJ3RED270	M.RESISTOR CH 1/10W 27	1	
R8114	ERJ3RBD563	M.RESISTOR CH 1/10W 56K	1	
R8115	ERJ3GEY0R00	M.RESISTOR CH 1/10W 0	1	
R8116	ERA3YED562V	M.RESISTOR CH 1/16W 5.6K	1	
R8119	ERJ3RED270	M.RESISTOR CH 1/10W 27	1	
R8123	D0GB473JA057	M.RESISTOR CH 1/10W 47K	1	
R8126	ERJ3GEYJ104	M.RESISTOR CH 1/10W 100K	1	
R8127	D0GB102JA057	M.RESISTOR CH 1/10W 1K	1	
R8135	ERA3YKD473V	M.RESISTOR CH 1/16W 47K	1	
R8136	ERJ3RBD103	M.RESISTOR CH 1/10W 10K	1	
R8143	ERJ3GEY0R00	M.RESISTOR CH 1/10W 0	1	
R8145	ERJ3GEY0R00	M.RESISTOR CH 1/10W 0	1	
R8153	ERJ3GEY0R00	M.RESISTOR CH 1/10W 0	1	
R8154	ERJ3GEY0R00	M.RESISTOR CH 1/10W 0	1	
R8155	ERJ3GEY0R00	M.RESISTOR CH 1/10W 0	1	
■	LSEP8435A1	LCD SHAFT FPC		(PSECI)
SW8201	K0C111B00008	SWITCH	1	(PSECI)