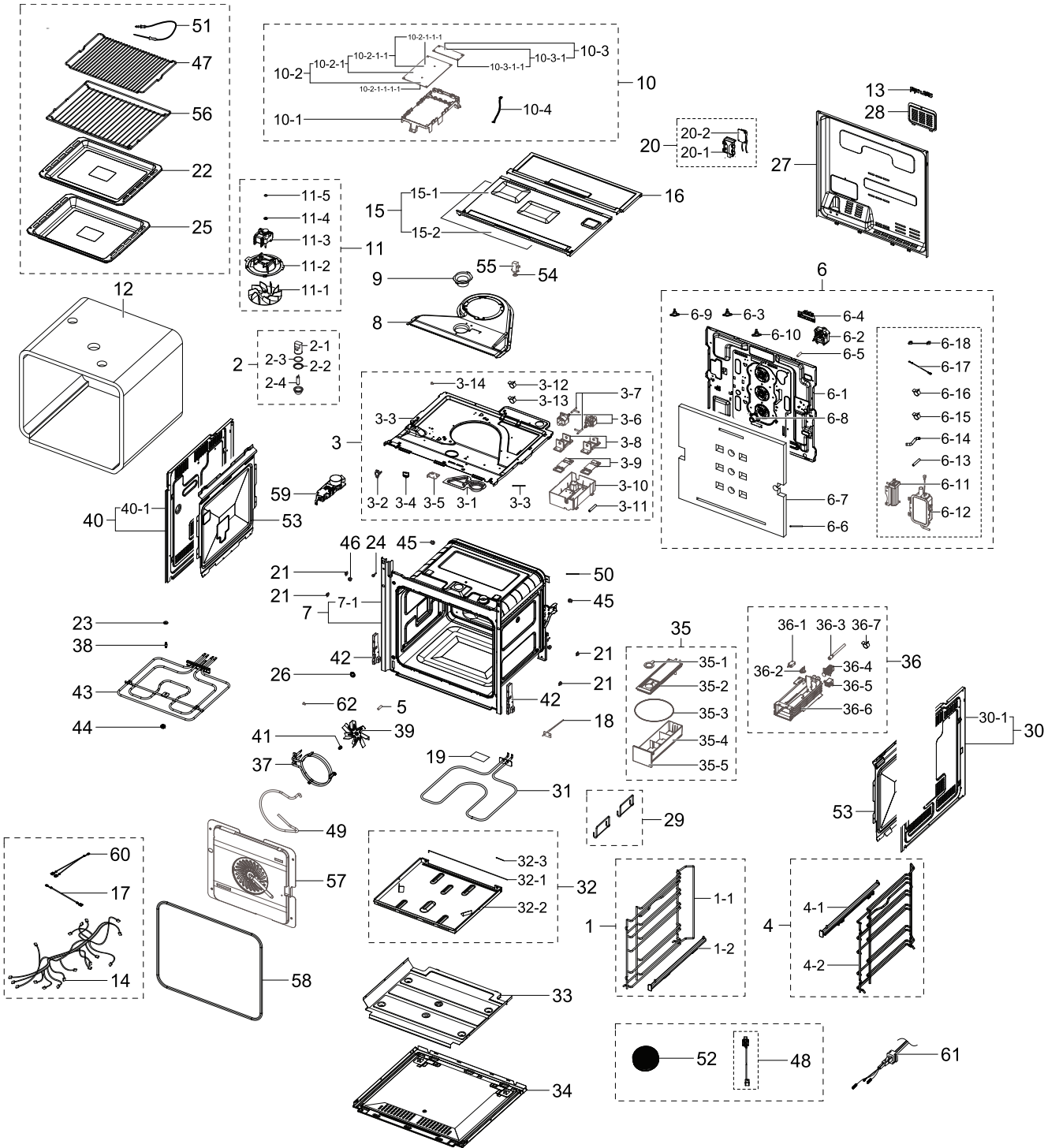


# 1. Main

## Exploded View



**Parts List**

No.	Lvl.	Loc.	Material Code	Description & Specification	SNA	Qty.
1	2		DG94-01106A	ASSY SUPPORTER RACK-LEFT; SINGLE,RACK WIR	SA	1
1-1	3		DG75-01064A	RACK WIRE SUPPORT-LEFT; SINGLE,NV9900J,MS	SA	1
1-2	3		DG61-00876B	GUIDE RAIL TELESCOPIC-LEFT; STS304,T1.2	SA	1
2	2	M248	DG97-00011D	ASSY LAMP BULB; BQ2Q7G069,PYROLYTIC,Sunli	SA	1
2-1	3	M249	DG97-00012B	ASSY LAMP BULB-SUB; BT62FQBPST,-,-,-,PYRO	SA	1
2-2	3	M265	DG63-00029A	COVER-RING BULB; BT63BSST,STAINLESS-ST30	SA	1
2-3	3	M250	DG63-00098A	SHEET-RING BULB; BT62FQBPST,STS304,T0.5,W	SA	1
2-4	3	U013	DE47-00040B	LAMP-HALOGEN; 230V,40W,320Lm,13x43,7.5mm,	SA	1
3	1	P214	DG94-01085A	ASSY BRACKET UPPER; NV9900J,Vapor	SNA	1
3-1	2		DG61-00893A	BRACKET GUIDE; ALL,ALCOAT-SA1C,T0.5,-	SNA	1
3-2	2	M464	DG47-00010A	THERMOSTAT; AC125/250V,15A,130,0,Rated Cu	SA	1
3-3	2	M003	DG61-00887A	BRACKET-UPPER; ALL,GI-SGCC,T0.6,-	SNA	1
3-4	2		6502-001149	SADDLE; TIC-WSD21.5,W30.5,H33.3,T3.5,Nylo	SNA	1
3-5	2	H111	DE61-50490A	BRACKET-TCO; EGI-SECC,T0.6	SA	1
3-6	2		DE31-00065A	VALVE COIL SOLENOID-PUMP; AC220-240V,#187	SA	2
3-7	2		DE61-01081A	GUIDE-TUBE; ATAG STEAM,PC,-,-,-,-,-	SNA	2
3-8	2		DG67-00093A	RUBBER DAMPER; NV9900J,SI RUBBER,-,SILICO	SNA	2
3-9	2		DG61-00927A	BRACKET HOLDER; NV9900J,STS304,T0.4,-	SNA	2
3-10	2		DG61-00928A	HOLDER PUMP; NV9900J,PA66,-,BLACK,V0,GF15	SA	1
3-11	2		DG62-00144A	TUBE WATER; RUBBER,NATURAL	SNA	1
3-12	2		DG65-00011D	CLAMP-STEAM TUBE; STEAM JUPITER,STAINLESS	SA	4
3-13	2	F152	DG65-00011E	CLAMPER HOSE; NV73J9770RS,GA-SGCC,T0.8,-,	SNA	4
3-14	2	X009	DE60-10065A	SCREW-TAPPING; TH,+,NO,2S,M4,L6,NI PLT,SW	SA	3
4	2		DG94-01106B	ASSY SUPPORTER RACK-RIGHT; SINGLE,RACK WI	SA	1
4-1	3		DG61-00877B	GUIDE RAIL TELESCOPIC-RIGHT; STS304,T1.2	SA	1
4-2	3		DG75-01064B	RACK WIRE SUPPORT-RIGHT; NV9900J,MSWR-SWR	SA	1
5	2	H049	DG60-00001A	SPACER-FAN CONVECTION; BT63BSST,STKM11A,L	SA	1

No.	Lvl.	Loc.	Material Code	Description & Specification	SNA	Qty.
6	1		DG94-01075A	ASSY COVER ADIABATIC-REAR; NV9900J,VAPOR	SNA	1
6-1	2		DG63-00389A	COVER ADIABATIC-REAR; NV9900J,GI-SGCC,T0.	SNA	1
6-2	2	H001	DG31-00019A	MOTOR AC CONVECTION; LOBSTAR,SMC-EBQV1B,2	SA	1
6-3	2	M029	DE47-20035A	THERMOSTAT; 125/250V,15/7.5A,120,0,SOD,25	SA	2
6-4	2	G005	DG65-00002A	TERMINAL BLOCK; BT63BSST,PA66,6 sqmm,BROW	SA	1
6-5	2	M413	DG62-00021B	TUBE-GLASS; BQ3N3T,GLASS FIBER,4.1,40MM,3	SNA	2
6-6	2	M482	6502-001117	CABLE CLAMP; DALF-94-2,EGI STEEL, SILICON	SNA	2
6-7	2	M215	DG62-00142B	ADIABATIC; REAR, PYRO,CERAMIC WOOL,T25,W5	SNA	1
6-8	2		DG60-00018A	FLANGE COVER REAR; NEO lite,ALCOAT-SA1C,T	SNA	1
6-9	2	M454	DE47-20037A	THERMOSTAT; 125/250V,15/7.5A,150,0,SOD,25	SA	1
6-10	2	M464	DG47-00010A	THERMOSTAT; AC125/250V,15A,130,0,Rated Cu	SA	1
6-11	2	X023	DG94-00620A	ASSY STEAMER SUB; STEAM JUPITER,PA6 + GF4	SA	1
6-12	2	X085	DG94-00497B	ASSY STEAMER; NV9900J,STS316L,STEAM	SA	1
6-13	2		DG62-00144A	TUBE WATER; RUBBER,NATURAL	SNA	1
6-14	2		DG62-00151A	TUBE STEAM; RUBBER,-,Hardness 40	SNA	1
6-15	2		DG65-00011A	CLAMP-STEAM TUBE; STEAM JUPITER,STAINLESS	SNA	2
6-16	2		DG65-00011D	CLAMP-STEAM TUBE; STEAM JUPITER,STAINLESS	SA	4
6-17	2	W006	DG96-00044B	ASSY WIRE HARNESS-E; DX6211KUU,230V/50Hz,	SA	1
6-18	2		DG96-00228A	ASSY WIRE HARNESS-GENERATOR; BQ1VD6T131/X	SA	2
7	1	Y103	DG94-01072A	ASSY CAVITY COATING; NV9900J,73L,ENAMEL,V	SNA	1
7-1	2		DG94-01071A	ASSY CAVITY WELDING; NV9900J,73L,ENAMEL,V	SNA	1
8	2		DG63-00376A	COVER AIR; ALL,GI-SGCC,T0.5,V0	SNA	1
9	2		DG61-00895A	BRACKET PIPE; ALL,GI-SGCC,T0.5,-	SNA	1
10	2	C164	DG94-01081A	ASSY HOLDER PCB; NV9900J,LCD Vapor	SA	1
10-1	3		DG61-00909A	HOLDER PCB-MAIN; ALL,PA66,BLACK,V0,GF15%	SNA	1
10-2	3		DE94-03429A	ASSY PCB EEPROM; EEP_01,DE92-03749A,NV990	SA	1
10-2-1	4	F316	DE92-03749A	ASSY PCB MAIN; NV9900J MAIN,NV9900J,194X1	SNA	1

Exploded Views and Parts List

No.	Lvl.	Loc.	Material Code	Description & Specification	SNA	Qty.
10-2-1-15	5	Y001	DE94-03362A	ASSY PCB AUTO; NV9900J MAIN,NV9900J,194X1	SNA	1
10-2-1-16	4		DE94-03364A	ASSY PCB SMD; NV9900J MAIN,NV9900J,194X12	SNA	1
10-2-1-17-1	7-1	Y056	2007-000290	R-CHIP; 100ohm,5%,1/8W,TP,2012	SA	2
10-3	3		DE92-03752A	ASSY PCB POWER; NV9900J STB CONTROL,NV990	SA	1
10-3-1	4		DE94-03373A	ASSY PCB SMD; NV9900J STB CONTROL,NV9900J	SNA	1
10-3-1-15	5	Y056	2007-000290	R-CHIP; 100ohm,5%,1/8W,TP,2012	SA	1
10-4	3		DG96-00395A	ASSY WIRE HARNESS-DC SIGNAL; NV9900J,Stan	SA	1
11	1	M258	DG96-00005C	ASSY MOTOR-COOLING; BT62FQBPST,-,-,-,PYRO	SA	1
11-1	2	M261	DG67-00017A	FAN-COOLING; BT62FQBPST,PA66,NYLON#66 GF1	SA	1
11-2	2	M260	DG61-00056A	SUPPORT-MOTOR COOLING; BT63BSST,PA66,BLK,	SA	1
11-3	2	M302	DG31-00001C	MOTOR AC FAN-BLOWER; SMV-610PEA,2,230V,50	SA	1
11-4	2	H024	DE60-30016A	NUT-FLANGE; MSWR-SWRM,MSWR10	SA	3
11-5	2	H009	DE60-40026B	WASHER-PLAIN; ZNC,OD12,T1.0,SBC1	SA	1
12	2	M215	DG62-00149B	ADIABATIC; MAIN, Pyro,CERAMIC WOOL,T20,NV	SNA	1
13	2		DG61-00405A	HOLDER-CABLE; DX6292K,PA66,WHT	SA	1
14	2		DG96-00392A	ASSY WIRE HARNESS-MAIN; NV9900J,Vapor Pyr	SA	1
15	1	H094	DG94-00361A	ASSY CASE-UPPER; BF641FST,GI,T0.5	SA	1
15-1	2	H051	DG61-00052A	CASE-UPPER A; BT63BSST,GI-SGCC,T0.5,W570.	SNA	1
15-2	2		DG63-00200A	CUSHION-CASE UPPER; BF641FST,CR FOAM,T1.5	SNA	1
16	2	H052	DG61-00053A	CASE-UPPER B; BT63BSST,GI-SGCC,T0.5,-,BI	SA	1
17	2	W006	DG96-00044B	ASSY WIRE HARNESS-E; DX6211KUU,230V/50Hz,	SA	1
18	2	M300	DG32-00004B	SENSOR TEMP; 1Kohm	SA	1
19	2	M389	DG62-00017A	ADIABATIC-HEATER; BT62FQBPST,CERAMIC WOOL	SNA	1
20	2		DG94-00385C	ASSY HOLDER NOISE FILTER; STEAM _ JUPITER	SA	1
20-1	3	M264	DG61-00444C	HOLDER-NOISE FILTER; BI-SINGLE,PBT+GF,BLA	SA	1
20-2	3	M017	DG96-00021A	ASSY NOISE FILTER; SN-BF63,250V/18A,-,0.6	SA	1
21	2	M188	DG61-00341A	BRACKET-HOLDER RACK; FLAT ALL MODEL,STAIN	SA	4

No.	Lvl.	Loc.	Material Code	Description & Specification	SNA	Qty.
22	2	T111	DG63-00011A	TRAY-BAKING B; CR-SPP,T0.6,ENAMEL COATING	SA	1
23	2	H024	DE60-30016A	NUT-FLANGE; MSWR-SWRM,MSWR10	SA	3
24	2	M268	DG73-00002A	RUBBER-CUSHION; BT63BSST,SI RUBBER,BI,DAR	SA	2
25	2	T176	DG63-00201A	TRAY-BAKING C; CR-SPP,T0.6,ENAMEL COATING	SA	1
26	2	M262	6031-001545	WASHER-SPRING; STS430,ID5,OD11.8,T0.3,Dar	SA	4
27	2	P186	DG63-00240A	COVER-BACK; BQV1Q6T014,GI-SGCC,T0.5	SNA	1
28	2	H050	DG61-00031A	BRACKET-AS COVER; BT63BSST,GI-SGCC,T0.5,W	SA	1
29	2		DG64-00470A	HANDLE GRIP; BT62FQBPST,MSWR-SWRM,Ni-Cr P	SA	2
30	2		DG94-00328C	ASSY CASE-R; GF94TRT001,COOKER,HANDLE HOL	SA	1
30-1	3	H053	DG61-00654B	CASE-RIGHT; NEO PJT,GI-SGCC,T0.5,W595,L10	SA	1
31	2	M224	DG47-00007A	HEATER SHEATH-BOTTOM; AC230V,1100W,SUS309	SA	1
32	2	P229	DG97-00105B	ASSY COVER-BOTTOM HEATER; BT62FQBPST,-,-,	SA	1
32-1	3	U029	DG66-00014A	WIRE-COVER BOTTOM HEATER; BT62FQBPST,STAI	SNA	1
32-2	3	M241	DG63-00007A	COVER-BOTTOM HEATER; BT63BSST,GI-SGCC,T0.	SNA	1
32-3	3	U028	DG47-00027A	HOLDER-R PIN; BT62FQBPST	SA	1
33	2	P280	DG63-00083A	COVER-ADIABATIC LOWER; BT62FQBPST,GI-SGCC	SA	1
34	2		DG61-00881A	BASE BOTTOM; GI-SGCD,T0.6,555,610	SNA	1
35	2		DG94-01103A	ASSY INLET WATER; VAPOR,WATER TANK INLET	SNA	1
35-1	3		DE67-00278A	CAP-BOWL WATER; MC324GAKCBB,SI,CELESTA	SNA	1
35-2	3		DG63-00381A	COVER BOWL WATER; SINGLE VAPOR,COC,HB,NC0	SNA	1
35-3	3	S122	DG63-00399A	GASKET; RUBBER,-,WATER TANK, GRAY, HARDNE	SNA	1
35-4	3		DG61-00919A	GUIDE BOWL WATER; NV9900J,COC,HB,NC00001,	SNA	1
35-5	3		DG64-00529A	GLASS PANEL; NV9900J,GLASS,T4,-,VAPOR, WA	SNA	1
36	2		DG94-01102A	ASSY BOWL WATER; VAPOR,WATER TANK BOWL	SNA	1
36-1	3	B048	3405-001034	SWITCH-MICRO; 125/250VAC,16A,200gf,SPST-N	SA	1

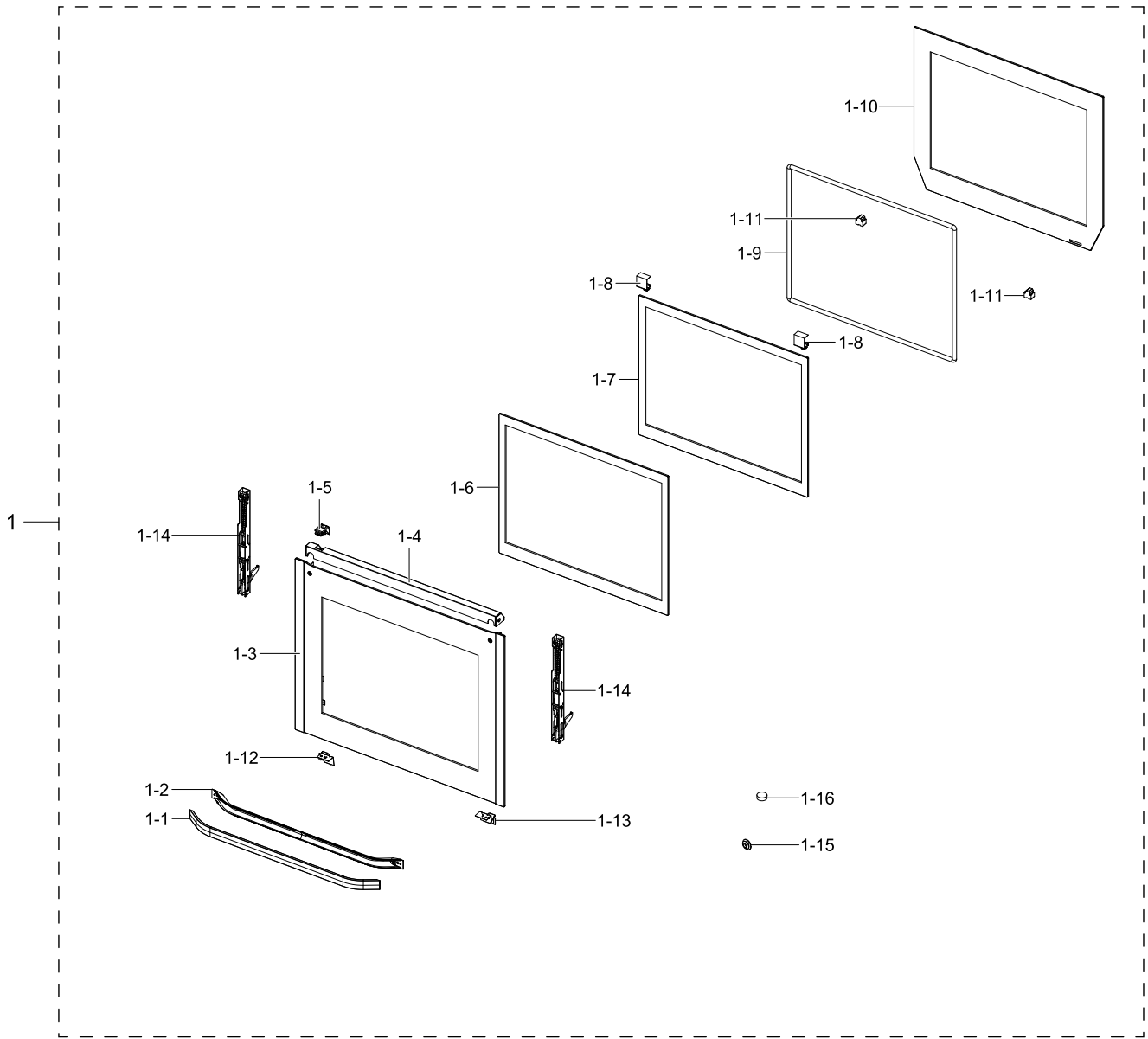
## Exploded Views and Parts List

No.	Lvl.	Loc.	Material Code	Description & Specification	SNA	Qty.
36-2	3		DG66-00022A	LEVER-SWITCH DRAIN; STEAM-JUPITER,PBT+GF	SA	1
36-3	3		DG67-00092A	RUBBER WATER; Vapor, NV9900J,SI RUBBER,NA	SNA	1
36-4	3		DG66-00031A	LATCH INLET; NV9900J,POM,Vapor, NV9900J,	SNA	1
36-5	3		DG66-00032A	LATCH INLET; NV9900J,POM,Vapor, NV9900J,	SNA	1
36-6	3		DG61-00914A	GUIDE WATER TANK; LCD VAPOR,PA66,-,V0,KN3	SNA	1
36-7	3		DG65-00011D	CLAMP-STEAM TUBE; STEAM JUPITER,STAINLESS	SA	1
37	2	H061	DG47-00044A	HEATER SHEATH-CONVECTION; AC230V,1800W,SU	SA	1
38	2		DG61-00988A	STUD GRILL; STS304,NV9900J	SA	1
39	2		DG67-00018B	FAN CONVECTION; NV9900J,STAINLESS-ST316L	SA	1
40	2		DG94-00329C	ASSY CASE-L; GF94TRT001,COOKER,HANDLE HOL	SA	1
40-1	3	H054	DG61-00655B	CASE-LEFT; NEO PJT,GI-SGCC,T0.5,W600,L533	SNA	1
41	2	X107	6021-001211	NUT-HEXAGON CAP; M4,NI PLT,SWRCH10A,LEFT	SA	1
42	2		DG61-00930A	SUPPORT HINGE; NV9900J,GI-SGCC,T1.6,-	SA	2
43	2	H071	DG47-00047C	HEATER SHEATH-GRILL; AC230V,2700W(1600+11	SA	1
44	2	Z779	6021-001207	NUT-CIRCULAR; M5,NI PLT,SWRCH10A,MESHING	SA	1
45	2	H130	DG94-00332A	HOLDER RACK; STAINLESS-ST304	SA	2
46	2	M242	DG63-00119A	COVER-SCREW; BT65FQBPST,ABS,PYROLYTIC,HG0	SA	2
47	2	M272	DG59-00004A	RACK-WIRE ROAST; MSWR,SNC2 COATING	SA	1
48	2		DG94-00674A	ASSY-PROBE; BQ2Q7G269/EUR,MEAT PROBE	SNA	1
49	2		DG94-01110A	ASSY TUBE; NV9900J,VAPOR PIPE, BRACKET	SA	1
50	2	M482	6502-001117	CABLE CLAMP; DALF-94-2,EGI STEEL, SILICON	SNA	2
51	2		DG32-00013A	SENSOR TEMP; 10.42Kohm	SA	1
52	2	P283	DG63-00096A	FILTER-CERAMIC; BT62FQBPST,CERAMIC	SNA	1
53	2		DG63-00390A	COVER ADIABATIC-SIDE; NV9900J,GI-SGCC,T0.	SA	2
54	2		DG63-00397A	GASKET DAMPER; RUBBER,-,SILICONE BLACK, H	SNA	1
55	2	F164	DD66-00089A	ACTUATOR THERMAL; GALA-E,POM,PUSH TYPE,AC	SNA	1
56	2		DG75-01061A	RACK WIRE; ALL model,NV9900J,MSWR-SWRM,-,	SA	1
57	2	H005	DG94-01077A	ASSY COVER CASING; NV9900J,Vapor, Enamel	SA	1

No.	Lvl.	Loc.	Material Code	Description & Specification	SNA	Qty.
58	2	M370	DG63-00095B	GASKET DOOR; NV9900J,GF,L1837.4,DARK GRAY	SA	1
59	2		DG94-01119A	ASSY DOOR LOCK; NV9900J,PYRO	SA	1
60	2	W036	DG96-00389A	ASSY WIRE HARNESS-EARTH; NV9900J,Sensor p	SA	1
61	2	M015	DG96-00084A	ASSY POWER CORD; KC/VDE,Straight,E.U/KORE	SA	1
62	2	X009	DE60-10065A	SCREW-TAPPING; TH,+,NO,2S,M4,L6,NI PLT,SW	SA	3

# 1.1. Assy Door

## Exploded View



## Parts List

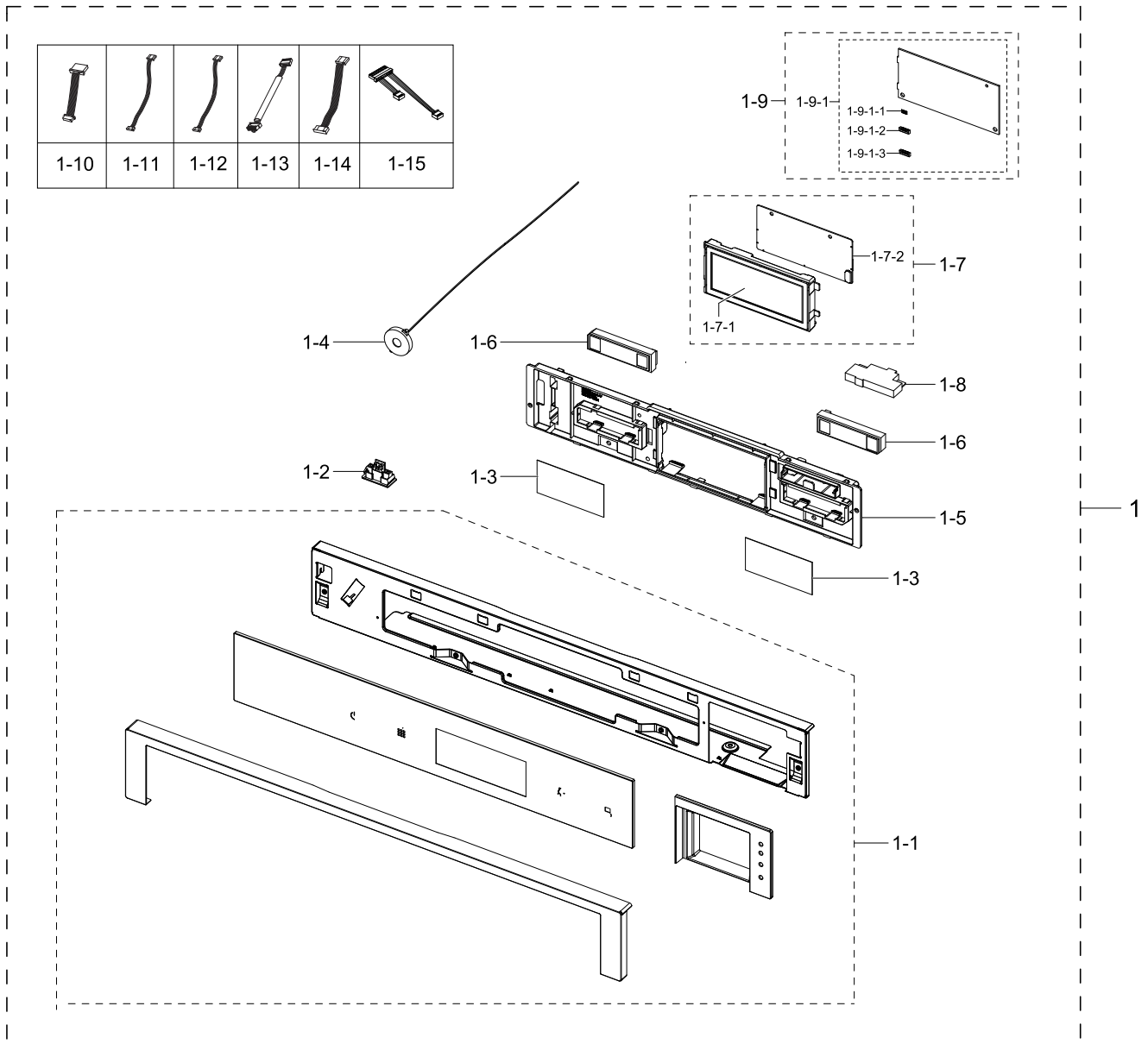
No.	Lvl.	Loc.	Material Code	Description & Specification	SNA	Qty.
1	1	D049	DG94-01090A	ASSY DOOR; NV9900J,4GLASS, SOFT CLOSING,	SA	1
1-1	2	D019	DG64-00508A	HANDLE DOOR; NV9900J,AL,REAL STS430	SNA	1
1-2	2		DG61-00913A	SUPPORT HANDLE; ALL,PC,-,V0,141R	SNA	1
1-3	2	D015	DG94-01083A	ASSY DOOR SUB; NV9900J,Chef Collection	SA	1
1-4	2		DG67-00091A	DUCT DOOR; PYRO ALL,GA-SGCD,T0.8	SNA	1
1-5	2		DG61-00908A	HOLDER DOOR LOCK; PYRO,PA66,BLACK,V0,G.F1	SNA	1



No.	Lvl.	Loc.	Material Code	Description & Specification	SNA	Qty.
1-6	2		DG64-00513B	GLASS DOOR-MIDDLE; NV9900J,GLASS,T4.0,-,H	SNA	1
1-7	2		DG64-00513A	GLASS DOOR-MIDDLE; NV9900J,GLASS,T4.0,-,H	SNA	1
1-8	2		DG61-00916A	HOLDER GLASS; NV9900J,STS301,T0.5,-	SA	2
1-9	2	S122	DG63-00380A	GASKET; GF,DARK GRAY	SA	1
1-10	2		DG64-00514A	GLASS DOOR-IN; NV9900J,GLASS,T4.0,-,Heat	SNA	1
1-11	2		DG61-00987A	HOLDER GLASS RUBBER; SI,SILICONE BLACK, H	SA	2
1-12	2		DG63-00374A	COVER HINGE-LEFT; GA-SGCD,T0.8	SNA	1
1-13	2		DG63-00375A	COVER HINGE-RIGHT; GA-SGCD,T0.8	SNA	1
1-14	2	V002	DG94-01080B	ASSY HINGE; NV9900J,4Glass, Soft Close	SA	2
1-15	2	D147	DG73-00001A	RUBBER-GLASS; BT63BSST,SILICON RUBBER,BLA	SNA	4
1-16	2	Z097	DG61-00986A	MAGNET; ND,T2,D6,Holder door lock	SNA	1

## 1.2. Assy Control

### Exploded View



### Parts List

No.	Lvl.	Loc.	Material Code	Description & Specification	SNA	Qty.
1	1	C082	DG94-01096A	ASSY CONTROL BOX; NV9900J,LCD VAPOR	SA	1
1-1	2	C001	DG94-01092A	ASSY CONTROL PANEL; NV9900J,LCD VAPOR	SA	1
1-2	2		DG32-00014A	SENSOR MAG; MS-407-SS-OV,-20 ~ 1055V,	SA	1
1-3	2	C009	DG64-00518A	WINDOW DISPLAY; NV73J9770RS,ACRYL,T0.5,-,	SNA	2
1-4	2	C197	DE96-00686B	ASSY BUZZER; E-OVEN,KPR-G3020-450,450mm,2	SA	1

No.	Lvl.	Loc.	Material Code	Description & Specification	SNA	Qty.
1-5	2	C226	DG61-00904A	HOLDER DISPLAY; NV9900J,PC,BLACK,HB,LCD V	SA	1
1-6	2	Y040	DE07-00120A	LED DISPLAY; HL-LED1161SB-C301,BACKLIGHT-	SA	2
1-7	2		DE92-03754A	ASSY MODULE; A20 4.6" LCD,NV9900J,Europe	SA	1
1-7-1	3		DE07-00127A	DISPLAY LCD; 120.7*57.08,TFT	SNA	1
1-7-2	3		DE92-03753A	ASSY MODULE; A20 4.6" LCD, TOUCH, WI-FI,N	SNA	1
1-8	2		4709-002331	W-LAN MODULE; DWMSMQ96L00S,IEEE802.11,2.4	SNA	1
1-9	2	C179	DE92-03751A	ASSY PCB SUB; NV9900J_SUB,NV9900J,120.5X5	SA	1
1-9-1	3		DE94-03370A	ASSY PCB SMD; NV9900J_SUB,NV9900J,120.5X5	SNA	1
1-9-1-1	4	Y056	2007-000290	R-CHIP; 100ohm,5%,1/8W,TP,2012	SA	1
1-9-1-2	4		3711-006099	HEADER-BOARD TO CABLE; BOX,10P,1R,2mm,SMD	SA	1
1-9-1-3	4		3711-008000	HEADER-BOARD TO CABLE; BOX,5P,1R,2mm,SMD-	SA	1
1-10	2		DB93-15185A	ASSY CONNECTOR WIRE-COMM; 6,1061,28,RED,1	SA	1
1-11	2		DG96-00385A	ASSY WIRE HARNESS-SENSOR; NV9900J,12VDC	SA	1
1-12	2		DG96-00388A	ASSY WIRE HARNESS-DC SIGNAL; NV9900J,DC s	SA	1
1-13	2		DG96-00397A	ASSY WIRE HARNESS-PBA; NV9900J,LCD,Sub PC	SA	1
1-14	2		DG96-00398A	ASSY WIRE HARNESS-PBA; NV9900J,Main,Sub P	SA	1
1-15	2		DG96-00399A	ASSY WIRE HARNESS-PBA; NV9900J,Side LED L	SA	1