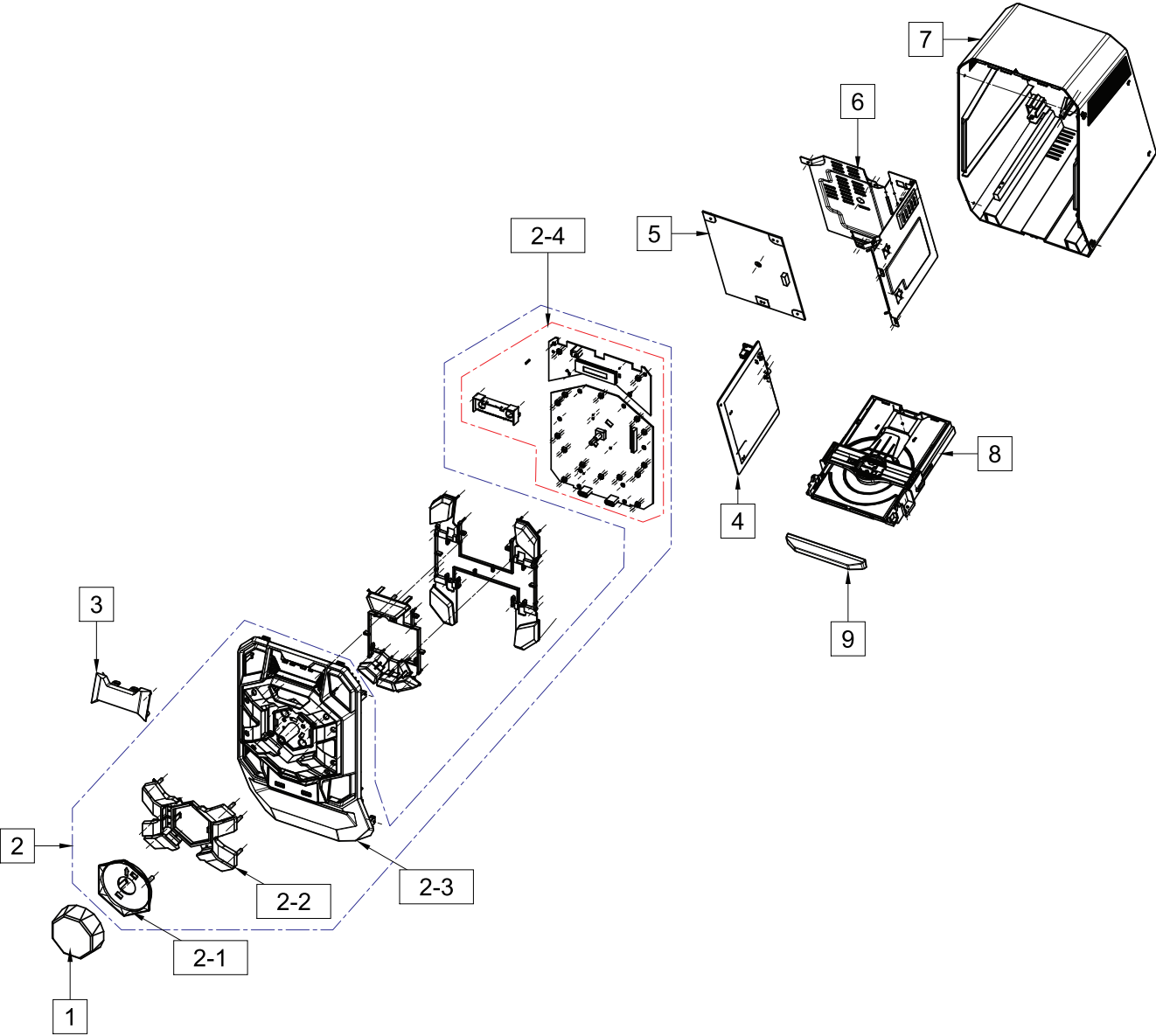


# 1. MX-J630/EN (ZZ01)

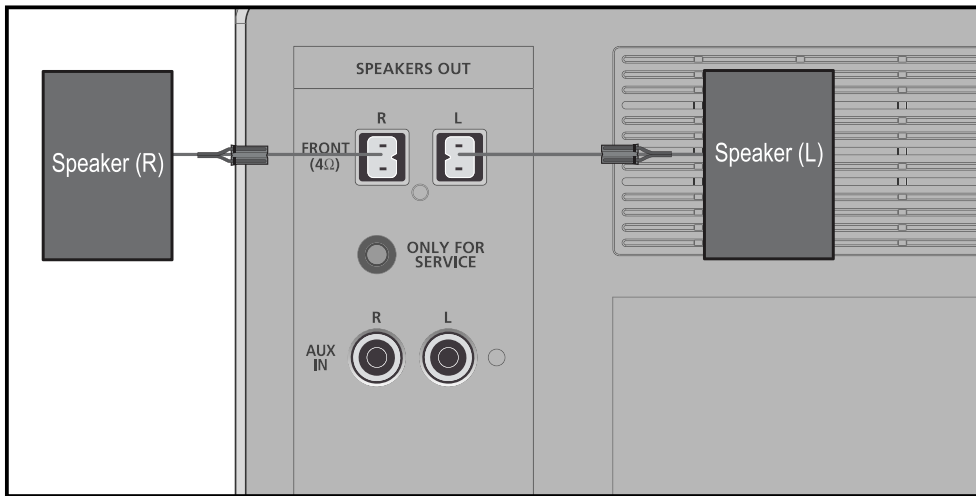
## Exploded View



## Parts List

No.	Lvl.	Loc.	Material Code	Description & Specification	SNA	Qty.
1	3	FK01	AH64-05865A	KNOB-VOLUME; MX-J630/MX-J640/MX-J730/MX-J	SNA	1
2	2		AH96-03365E	ASSY DECK P-FRONT-KIT; MX-J630/J730	SNA	1
2-1	4	AL210	AH67-00762A	LENS-VOLUME; MX-J630/mx-j640/mx-j730/mx-j	SNA	1
2-2	4		AH64-05858A	KNOB-FUNCTION; MX-J630/MX-730/MX-J840,ABS,	SNA	1
2-3	4	F001	AH63-03893A	COVER-FRONT; MX-J630/MX-J730/MX-J840,ABS,	SNA	1
2-4	3	MF01A	AH94-03460B	ASSY PCB FRONT; MX-J630,AH,FR-1,ZD ONLY,1	SA	1
3	4	AC272	AH63-03897A	COVER-WINDOW; MX-J630/MX-J640/MX-J730/MX-	SNA	1
4	2		AH96-03365E	ASSY DECK P-FRONT-KIT; MX-J630/J730	SNA	1
5	3		AH44-00325A	DC VSS-AV HT SMPS; V170L_FPN,V170L_FPN,AC	SA	1
6	3	CB07	AH61-03926A	BRACKET-PCB; MX_J630,EGI-SECC,0.5,188,131	SNA	1
7	3	R001A	AH96-03314D	ASSY COVER P-REAR; MX-J630/MX-J640/MX-730	SA	1
8	2	DECK	AH96-02267A	ASSY DECK P-CD; DP-31A	SA	1
9	2	FD17	AH64-05864A	DOOR-CD; MX-J630/MX-J640/MX-J730/MX-J840,	SNA	1

## 2. Speaker System



### Parts List

Loc. No.	Part No.	Description;Specification	Qty.	SNA
Speaker (L)	AH82-01025A	A/S ASSY-PS-J630 L; PS-H630,SPEAKER ASSY,LEFT LEVEL 1	1	SA
Speaker (R)	AH82-01027A	A/S ASSY-PS-J630 R; PS-H630,SPEAKER ASSY,RIGHT LEVEL 1	1	SA

### 3. Electrical Parts List

Level	Loc.	Part Code	Description & Specification	Qty.	SA/SNA
			<b>MX-J630/EN (ZZ01)</b>		
1		AH90-01146E	ASSY COVER FRONT;MX-H630	1	SNA
2		AH96-03365E	ASSY DECK P-FRONT-KIT;MX-J630/J730	1	SNA
...3	SCREW	6003-000276	SCREW-TAPTYPE;BH,+,-,B,M3,L10,ZPC(WHT),S	14	SA
...3	FK01	AH64-05865A	KNOB-VOLUME;MX-J630/MX-J640/MX-J730/MX-J	1	SNA
...3	MF01A	AH94-03460B	ASSY PCB FRONT;MX-J630,AH,FR-1,ZD ONLY,1	1	SA
...4		0202-001522	SOLDER-WIRE FLUX;LFA3-107,D1.2,96.5Sn/3A	0	SNA
...4		0202-001768	SOLDER-BAR;HSE-16,S60S-20,D3,SN/0.5CU/0.	3	SNA
...4		0204-002514	THINNER;TS4500,OXIGEN,NO,13.15KG,14KG/BO	6	SNA
...4		0204-002606	FLUX;LF-715K,OXIGEN,NO,16000L,14%,16kg,G	4	SNA
...4		0609-001202	MODULE REMOCON;HORIZONTAL,12.4mm,TR	1	SA
...4	AS420	3406-001180	SWITCH-ROTARY;DC 5V,0.5mA,24,12mm	1	SA
...4		3708-000249	CONNECTOR-FPC/FFC/PIC;27P,1.25mm,STRAIGH	1	SNA
...4		3708-001934	CONNECTOR-FPC/FFC/PIC;13P,1.25mm,STRAIGH	2	SA
...4		3722-002313	JACK-USB;4P/1C,AU30U,BLK,STRAIGHT,A TYPE	2	SA
...4	EV01	AH07-00289B	VFD DISPLAY;MX-J630/730,006BD004INAK,Gre	1	SNA
...4	AH410	AH61-03927A	HOLDER-VFD;MX-J630/MX-J640/MX-J730/MX-J8	1	SNA
...4		AH68-50254B	LABEL-SERIAL;-,-,TETRON,T0.1,W42,L10,-,-	1	SNA
...4		AH97-13990A	ASSY AUTO;AH,1,AH94-03460B	1	SNA
....5	DS01A	0401-000005	DIODE-SWITCHING;1N4148,75V,150mA,DO-35,T	3	SA
....5		0403-000509	DIODE-ZENER;5.6B,5.45/5.73V,500mW,DO-34,	2	SA
....5		2001-000003	R-CARBON;330ohm,5%,1/8W,AA,TP,1.8x3.2mm	2	SA
....5		2001-000019	R-CARBON(S);10ohm,5%,1/2W,AA,TP,2.4x6.4m	2	SNA
....5		2001-000241	R-CARBON;1.5Kohm,5%,1/8W,AA,TP,1.8x3.2mm	4	SNA
....5		2001-000290	R-CARBON;10Kohm,5%,1/8W,AA,TP,1.8x3.2mm	2	SA
....5		2001-000331	R-CARBON;12Kohm,5%,1/8W,AA,TP,1.8x3.2mm	2	SNA
....5		2001-000397	R-CARBON;180Kohm,5%,1/8W,AA,TP,1.8x3.2mm	2	SA
....5		2001-000449	R-CARBON;2.2Kohm,5%,1/8W,AA,TP,1.8x3.2mm	4	SA
....5		2001-000613	R-CARBON;3.9Kohm,5%,1/8W,AA,TP,1.8x3.2mm	2	SNA
....5		2001-000786	R-CARBON;47Kohm,5%,1/8W,AA,TP,1.8x3.2mm	1	SA
....5		2001-000793	R-CARBON;47ohm,5%,1/8W,AA,TP,1.8x3.2mm	2	SA
....5		2001-000802	R-CARBON;5.6Kohm,5%,1/8W,AA,TP,1.8x3.2mm	2	SC
....5		2001-000977	R-CARBON;8.2Kohm,5%,1/8W,AA,TP,1.8x3.2mm	2	SA
....5		2202-002037	C-CERAMIC,MLC-AXIAL;100nF,+80-20%,50V,Y5	7	SA
....5		2202-002055	C-CERAMIC,MLC-AXIAL;47nF,+80-20%,50V,Y5V	2	SNA
....5		2401-000042	C-AL;100uF,20%,16V,GP,TP,6.3x7,5	2	SA
....5		2401-000444	C-AL;10uF,20%,25V,GP,TP,5x5mm,5	1	SA
....5		2401-001479	C-AL;470uF,20%,10V,GP,TP,6.3*11mm,5	2	SA

Level	Loc.	Part Code	Description & Specification	Qty.	SA/SNA
....5		3301-000297	BEAD-AXIAL;25ohm,3.6x1.2x5.7mm,TP	6	SNA
....5		3404-001496	SWITCH-TACT;12V,50mA,260gf,6x6x5mm,1	16	SA
....5		3811-001868	WIRE-NO SHEATH CU;SnCuFe,52mm,GRY	24	SNA
....5		AH41-01763A	PCB SUB-J630 FRONT PCB;MX-J630 FRONT,FR-	1	SNA
..3	FL06	AH96-03185C	ASSY CABLE P;MX-J730,FFC FLAT CABLE,NH,2	1	SA
..3	F001A	AH96-03313A	ASSY COVER P-FRONT;MX-J630/MX-J730/MX-J8	1	SA
..4	F001	AH63-03893A	COVER-FRONT;MX-J630/MX-J730/MX-J840,ABS,	1	SNA
..4	AC272	AH63-03897A	COVER-WINDOW;MX-J630/MX-J640/MX-J730/MX-	1	SNA
..4		AH64-05858A	KNOB-FUNCTION;MX-J630/MX-730/MX-J840,ABS,	1	SNA
....5		0103-004612	RESIN ABS;HF-0680U,K2901,BK0020,1.5mm HB	1	SNA
..4		AH64-05861A	KNOB-IN;MX-J630/MX-J640/MX-J730/MX-J840,	1	SNA
..4		AH64-05863A	KNOB-OUT;MX-J630/MX-J640/MX-J730/MX-J840	1	SNA
..4	AL210	AH67-00762A	LENS-VOLUME;MX-J630/mx-j640/mx-j730/mx-j	1	SNA
..3	FL06	AH96-03670A	ASSY CABLE P;MX-J630,FFC FLAT CABLE,NH,1	1	SNA
1	R001A	AH90-01147A	ASSY COVER REAR;MX-H630	1	SNA
..2		AH96-03366A	ASSY DECK P-BOT-KIT(M+SMPS);MX-J630/J730	1	SNA
..3	SCREW	6003-000275	SCREW-TAPTTYPE;BH,+,B,M3,L10,ZPC(BLK),SWR	2	SA
..3	SCREW	6003-001467	SCREW-TAPTTYPE;PWH,+,B,M3,L10,ZPC(WHT),SW	5	SNA
..3	EC13	AH39-01253A	LEAD CONNECTOR;MX-FS9000,Lead Connector,	1	SA
..3		AH44-00325A	DC VSS-AV HT SMPS;V170L_FPN,V170L_FPN,AC	1	SA
..3	CB07	AH61-03926A	BRACKET-PCB;MX_J630,EGI-SECC,0.5,188,131	1	SNA
..3	M0014	AH94-03459K	ASSY PCB MAIN;MX-J630,AH,EURO,FM/RDS,2	1	SA
..4		2401-003850	C-AL;1000UF,20%,50V,WT,TP,12.5 X 25,5	2	SNA
..4	EH01	3711-007613	HEADER-BOARD TO CABLE;BOX,16P,2R,2.0mm,S	1	SNA
..4		3716-001311	TERMINAL-BLOCK;TERMINAL JOINT,2P,4.5mm,5	1	SNA
..4		3722-001055	JACK-PHONE;5P/2C,AG,BLK,ANGLE	1	SA
..4		3722-002622	JACK-PIN;2P,NI,WHT/RED,ANGLE	1	SNA
..4		3722-002874	JACK-DIN;4P,SN,BLK,ANGLE	1	SA
..4	SCREW	6003-000276	SCREW-TAPTTYPE;BH,+,-,B,M3,L10,ZPC(WHT),S	2	SA
..4		AH27-00087A	COIL FILTER;HT-D350,7uH,0.1ohm,15x21mm,B	2	SA
..4	AH260	AH61-03688A	HOLDER-H/SINK;MX-F630,ABS+GF,2,16,50	1	SNA
..4	AH060	AH62-00222E	HEAT SINK-MAIN;HT-E320,A6063,37.4,40.32,	1	SNA
..4	BT	AH96-02298A	ASSY BOARD P-RF-MODULE;Bluetooth Module,	1	SA
..4		AH97-13390A	ASSY SMD;MX-J630,AH,EURO,FM/RDS,2,AH94-0	1	SNA
....5		0202-001899	SOLDER-CREAM;M705-GRN360-K2-VT,20-38um,S	1	SNA
....5	DS01A	0401-001099	DIODE-SWITCHING;1N4148WS,75V,150mA,SOD-3	2	SA
....5		0403-001411	DIODE-ZENER;5.49-5.73V,200mW,SOD-323,TP	1	SA
....5		0404-001020	DIODE-SCHOTTKY;BAT54C,30V,200mA,SOT-23,T	1	SA
....5		0406-001239	DIODE-TVS;RClamp0502B,6/-V,125W,SOT-52	2	SNA
....5		0501-000279	TR-SMALL SIGNAL;KSA1182-Y,PNP,150mW,SOT-	1	SA

Exploded Views and Parts List

Level	Loc.	Part Code	Description & Specification	Qty.	SA/SNA
....5		0504-000110	TR-DIGITAL;DTC114EU,NPN,200MW,10K/10K,SC	2	SA
....5		0504-000128	TR-DIGITAL;FJV3103R,NPN,200mW,22K/22Kohm	1	SA
....5		0504-000156	TR-DIGITAL;KSR2103,PNP,200MW,22K/22K,SOT	1	SA
....5		0505-002598	FET-SILICON;AP2317GN,P,-20V,-4.2A,0.052o	2	SA
....5		0904-002714	IC-USC;QFN,28P,5.0mm X 5.0mm,12MHz,TP,PL	1	SA
....5		1003-001978	IC-MOTOR DRIVER;AM5766,HSOP28H,28P,17.9x	1	SA
....5		1103-001410	IC-EEPROM;S-24CS08AFJ-TB-1GE,8Kbit,1Kx8,	1	SNA
....5		1105-002494	IC-DRAM;M12L128168A-6TG2N,SDR,128M,2MX16	1	SA
....5		1201-002679	IC-AUDIO AMP;TAS5342ADDV,HTSSOP,44P,14x6	1	SNA
....5		1201-003055	IC-OP AMP;SOP,TR,8Z30,4.9x3.9mm,DUAL,100	1	SNA
....5		1203-004364	IC-VOL. DETECTOR;RT9818C-42PV,SOT-23,3P,	1	SA
....5		1203-007080	IC-DC/DC CONVERTER;AOZ1051PI,SO-8,8P,4.9	2	SA
....5		1204-003345	IC-TUNER;SI4705-D60-GMR,QFN,20P,3x3mm,PL	1	SA
....5		1204-003466	IC-DECODER;ES8393ASA,LQFP,176P,22x22mm,P	1	SA
....5		1205-004692	IC-SWITCH;TPS2069CDBVR,SOT-23,5P,5.0x3.1	2	SA
....5		1405-001192	VARISTOR;12Vdc,30A,1.6x0.8x0.55mm,TP,50V	2	SA
....5		1405-001306	VARISTOR;11Vdc,45A,0603,TP,50V	4	SA
....5		2007-000052	R-CHIP;10Kohm,1%,1/10W,TP,1608	2	SA
....5		2007-000060	R-CHIP;100Kohm,1%,1/10W,TP,1608	1	SNA
....5		2007-000070	R-CHIP;0ohm,5%,1/10W,TP,1608	6	SA
....5		2007-000071	R-CHIP;22ohm,5%,1/10W,TP,1608	1	SA
....5		2007-000075	R-CHIP;220ohm,5%,1/10W,TP,1608	2	SA
....5		2007-000090	R-CHIP;10Kohm,5%,1/10W,TP,1608	1	SA
....5		2007-000094	R-CHIP;22Kohm,5%,1/10W,TP,1608	1	SNA
....5		2007-000096	R-CHIP;30Kohm,5%,1/10W,TP,1608	2	SNA
....5		2007-000097	R-CHIP;47Kohm,5%,1/10W,TP,1608	2	SA
....5		2007-000113	R-CHIP;33ohm,5%,1/10W,TP,1608	2	SA
....5		2007-000129	R-CHIP;27Kohm,5%,1/10W,TP,1608	2	SA
....5		2007-000138	R-CHIP;100ohm,5%,1/16W,TP,1005	14	SA
....5		2007-000139	R-CHIP;220ohm,5%,1/16W,TP,1005	1	SA
....5		2007-000140	R-CHIP;1Kohm,5%,1/16W,TP,1005	7	SNA
....5		2007-000141	R-CHIP;2.2Kohm,5%,1/16W,TP,1005	2	SNA
....5		2007-000143	R-CHIP;4.7Kohm,5%,1/16W,TP,1005	13	SNA
....5		2007-000146	R-CHIP;6.8Kohm,5%,1/16W,TP,1005	1	SNA
....5		2007-000147	R-CHIP;8.2Kohm,5%,1/16W,TP,1005	1	SA
....5		2007-000148	R-CHIP;10Kohm,5%,1/16W,TP,1005	33	SA
....5		2007-000153	R-CHIP;22Kohm,5%,1/16W,TP,1005	3	SA
....5		2007-000155	R-CHIP;27Kohm,5%,1/16W,TP,1005	1	SNA
....5		2007-000157	R-CHIP;47Kohm,5%,1/16W,TP,1005	5	SNA
....5		2007-000162	R-CHIP;100Kohm,5%,1/16W,TP,1005	3	SNA

Level	Loc.	Part Code	Description & Specification	Qty.	SA/SNA
....5		2007-000168	R-CHIP;470Kohm,5%,1/16W,TP,1005	1	SNA
....5		2007-000170	R-CHIP;1Mohm,5%,1/16W,TP,1005	2	SNA
....5		2007-000173	R-CHIP;22ohm,5%,1/16W,TP,1005	1	SNA
....5		2007-000208	R-CHIP;1.1Kohm,1%,1/10W,TP,1608	1	SA
....5		2007-000312	R-CHIP;10ohm,5%,1/4W,TP,3216	4	SA
....5		2007-000464	R-CHIP;18ohm,5%,1/4W,TP,3216	4	SNA
....5		2007-000502	R-CHIP;2.2ohm,5%,1/8W,TP,2012	2	SC
....5		2007-000683	R-CHIP;3.3Kohm,1%,1/10W,TP,1608	1	SA
....5		2007-000695	R-CHIP;3.3ohm,5%,1/10W,TP,1608	7	SNA
....5		2007-000701	R-CHIP;3.6Kohm,1%,1/10W,TP,1608	1	SNA
....5		2007-000736	R-CHIP;30Kohm,1%,1/10W,TP,1608	1	SA
....5		2007-000775	R-CHIP;33Kohm,5%,1/16W,TP,1005	2	SA
....5		2007-000831	R-CHIP;39Kohm,5%,1/16W,TP,1005	1	SA
....5		2007-000883	R-CHIP;4.7ohm,5%,1/4W,TP,3216	1	SNA
....5		2007-001090	R-CHIP;620ohm,1%,1/10W,TP,1608	1	SA
....5		2007-001119	R-CHIP;680ohm,5%,1/16W,TP,1005	1	SNA
....5		2007-001175	R-CHIP;8.2Kohm,1%,1/10W,TP,1608	2	SA
....5		2007-001292	R-CHIP;33ohm,5%,1/16W,TP,1005	20	SNA
....5		2007-001301	R-CHIP;68ohm,5%,1/16W,TP,1005	1	SA
....5		2007-001319	R-CHIP;1.2Kohm,5%,1/16W,TP,1005	3	SA
....5		2007-001325	R-CHIP;3.3Kohm,5%,1/16W,TP,1005	3	SNA
....5		2007-001333	R-CHIP;18Kohm,5%,1/16W,TP,1005	1	SA
....5		2007-007137	R-CHIP;1.2Kohm,1%,1/16W,TP,1005	2	SA
....5		2011-001344	R-NETWORK;100ohm,5%,1/16W,L,CHIP,8P,TP,2	10	SA
....5		2011-001345	R-NETWORK;10Kohm,5%,1/16W,L,CHIP,8P,TP,2	2	SA
....5	AD480	2203-000233	C-CER,CHIP;0.1nF,5%,50V,C0G,TP,1005	17	SNA
....5	AD480	2203-000254	C-CER,CHIP;10nF,10%,16V,X7R,TP,1005	9	SA
....5	AD480	2203-000257	C-CER,CHIP;10nF,10%,50V,X7R,TP,1608	7	SA
....5	AD480	2203-000278	C-CER,CHIP;0.01nF,0.5pF,50V,C0G,TP,1005	2	SA
....5	AD480	2203-000386	C-CER,CHIP;0.015nF,5%,50V,C0G,TP,1005	10	SA
....5	AD480	2203-000438	C-CER,CHIP;1nF,10%,50V,X7R,TP,1005	6	SNA
....5	AD480	2203-000440	C-CER,CHIP;1nF,10%,50V,X7R,TP,1608	1	SNA
....5	AD480	2203-000489	C-CER,CHIP;2.2nF,10%,50V,X7R,TP,1005	2	SNA
....5	AD480	2203-000627	C-CER,CHIP;0.022nF,5%,50V,C0G,TP,1005	4	SNA
....5	AD480	2203-000679	C-CER,CHIP;0.027nF,5%,50V,C0G,TP,1005	2	SA
....5	AD480	2203-000696	C-CER,CHIP;0.002nF,0.25pF,50V,C0G,TP,100	1	SA
....5	AD480	2203-000783	C-CER,CHIP;0.33nF,5%,50V,C0G,TP,1608	5	SNA
....5	AD480	2203-000995	C-CER,CHIP;0.047nF,5%,50V,C0G,TP,1005	2	SNA
....5	AD480	2203-001124	C-CER,CHIP;0.68nF,10%,50V,X7R,TP,1005	1	SNA
....5	AD480	2203-001428	C-CER,CHIP;470nF,10%,50V,X7R,TP,2012	2	SNA

Exploded Views and Parts List

Level	Loc.	Part Code	Description & Specification	Qty.	SA/SNA
....5	AD480	2203-001634	C-CER,CHIP;33nF,10%,50V,X7R,TP,1608	4	SNA
....5	AD480	2203-002285	C-CER,CHIP;10nF,10%,50V,X7R,TP,1005	4	SNA
....5	AD480	2203-005249	C-CER,CHIP;100nF,10%,50V,X7R,TP,1608	10	SNA
....5	AD480	2203-005344	C-CER,CHIP;22nF,10%,25V,X7R,TP,1005,0.5T	1	SNA
....5	AD480	2203-005642	C-CER,CHIP;0.22nF,5%,50V,NP0,TP,1005	2	SA
....5	AD480	2203-005968	C-CER,CHIP;4.7nF,10%,50V,X7R,TP,1005,0.5	1	SNA
....5	AD480	2203-006047	C-CER,CHIP;33nF,10%,16V,X7R,TP,1005	2	SA
....5	AD480	2203-006048	C-CER,CHIP;100nF,10%,10V,X7R,TP,1005	28	SA
....5	AD480	2203-006158	C-CER,CHIP;100nF,10%,16V,X7R,TP,1005,0.5	33	SA
....5	AD480	2203-006460	C-CER,CHIP;2200nF,10%,16V,X5R,TP,1608,-	1	SA
....5	AD480	2203-006474	C-CER,CHIP;22000nF,20%,6.3V,X5R,TP,2012	1	SA
....5	AD480	2203-006562	C-CER,CHIP;1000nF,10%,10V,X5R,TP,1005	1	SNA
....5	AD480	2203-006698	C-CER,CHIP;1000nF,10%,25V,X7R,TP,1608,0.	4	SA
....5	AD480	2203-006741	C-CER,CHIP;470nF,10%,25V,X5R,TP,1608,0.8	3	SNA
....5	AD480	2203-006841	C-CER,CHIP;1000nF,10%,16V,X5R,TP,1005	1	SNA
....5	AD480	2203-006890	C-CER,CHIP;10000nF,20%,6.3V,X5R,TP,1608	10	SNA
....5	AD480	2203-007230	C-CER,CHIP;47000nF,20%,6.3V,X5R,TP,2012(	6	SNA
....5	AD480	2203-007306	C-CER,CHIP;10000nF,10%,25V,X5R,TP,2012,1	1	SNA
....5	AD480	2203-007338	C-CER,CHIP;470nF,10%,100V,X7R,TP,3225	2	SNA
....5	AD480	2203-007513	C-CER,CHIP;10000nF,10%,10V,X5R,TP,1608,0	17	SA
....5		2402-001160	C-AL,SMD;330UF,20%,16V,WT,TP,1008	3	SNA
....5		2402-001286	C-AL,SMD;220UF,20%,16V,HR,TP,6.6X6.6X7.7	1	SA
....5		2703-001838	INDUCTOR-SMD;100nH,5%,1608,1.6Ohm,300mA,	1	SNA
....5		2703-003930	INDUCTOR-SMD;4.7uH,20%,5050,0.072Ohm,245	2	SA
....5		2801-003856	CRYSTAL-SMD;0.032768MHz,20ppm,28-ACP,7pF	1	SNA
....5		2801-004284	CRYSTAL-SMD;27MHz,10ppm,28-AAN,20pF,30oh	1	SA
....5		2801-004775	CRYSTAL-SMD;12MHz,30ppm,16pF,30ohm,TP	1	SNA
....5		2901-001302	FILTER-EMI SMD;20V,0.3A,0pF,2.0x1.2x1.3m	2	SNA
....5		3301-000314	BEAD-SMD;120ohm,1608,TP,120ohm/100MHz	4	SNA
....5		3301-001404	BEAD-SMD;30ohm,2012,TP,15.9OHM/30MHz	14	SA
....5		3708-002403	CONNECTOR-FPC/FFC/PIC;23P,1mm,SMD-S,SN,N	1	SA
....5		3708-002792	CONNECTOR-FPC/FFC/PIC;9P,1mm,SMD-S,SN,N,	1	SA
....5		3710-003998	CONNECTOR-SOCKET;10P,1R,1.25mm,SMD-S,SN,	1	SNA
....5		AH41-01762A	PCB MAIN-J630 MAIN PCB;MX-J630 MAIN,FR-4	1	SNA
....5		AH97-14070A	ASSY MICOM-FLASH;MX-J630,AH	1	SNA
....6	IC	1107-002265	IC-NOR FLASH;W25Q32FVSSIG,32Mbit,SOP,8P,	1	SA
...4	T0066	BP62-00047B	HEAT SINK-ES;MU15UO,A6063S,T2.5,13,13,NT	1	SNA
...3	R001A	AH96-03314D	ASSY COVER P-REAR;MX-J630/MX-J640/MX-730	1	SA
...4		AH61-03950A	FOOT RUBBER;SI,13*11,2.5,50	4	SNA
...4	R001	AH63-03898D	COVER-REAR;MX-J630/MX-J640/MX-J730/MX-J8	1	SNA



Level	Loc.	Part Code	Description & Specification	Qty.	SA/SNA
1		AH91-00791A	ASSY SHIELD;TW-H5500	1	SNA
.2	SCREW	6003-000275	SCREW-TAPTYPE;BH,+ ,B,M3,L10,ZPC(BLK),SWR	6	SA
.2	T0268	AC39-10019A	CBF-POWER CORD;AT,CP2,HOUING(2P),250V,2.	1	SA
.2	FD17	AH64-05864A	DOOR-CD;MX-J630/MX-J640/MX-J730/MX-J840,	1	SNA
.2	DECK	AH96-02267A	ASSY DECK P-CD;DP-31A	1	SA
1		AH92-04663A	ASSY LABEL;MX-J630/J730	1	SNA
.2		AH68-02797D	LABEL POP-TOPPER;MX-j630/EN,ART 300G,W18	1	SNA
.2		AK68-02233C	LABEL RATING;AV ALL,WW,ART PAPER,80,23,L	1	SNA
1		AH92-04664A	ASSY BOX;MX-J630/J730	1	SNA
.2		AH68-01981M	LABEL-BOX;ALL MODEL,ALL BUYER,heat sensi	1	SNA
.2		AH69-04377B	BOX UNIT-01,SET;MX-J630/EN,CB,A-01, DW1,	1	SNA
1		AH92-04665A	ASSY P/MATERIAL;MX-J630/J730	1	SNA
.2		0203-001100	TAPE-OPP MASKING;OPP/W75/CLR,T0.075,W75,	1	SNA
.2		AH63-01971J	SHEET-SET;MX-H730,HDPE+ NITRON,0.5,1250,	1	SNA
.2		AH69-04358A	CUSHION-SET;MX-J630/730,EPS,EPS,16.7g/L	1	SNA
1	ACCEI	AH92-04666A	ASSY ACCESSORY;MX-J630/J730	1	SNA
.2		AH96-03308A	ASSY SPEAKER P-SPK;4 OHM,PS-J630 ASSY,W/	1	SNA
..3		AH69-04361A	CUSHION-SPK;MX-J630,EPS,CUSHION	1	SNA
..3		AH82-01025A	A/S ASSY-PS-J630 L;PS-H630,SPEAKER ASSY,	1	SA
...4		AH81-09133A	A/S AUDIO-RECEIVER-LABEL_PS-J630-L;LABEL	1	SNA
...4		AH82-01026A	A/S ASSY-PS-J630 L;PS-H630,SPEAKER ASSY,	1	SNA
....5		AH81-09131A	A/S AUDIO-RECEIVER-SPEAKER CABLE ASSY PS	1	SNA
....6		AH81-09139A	A/S AUDIO-RECEIVER-PS-J630 CABLE_WOOFER;	1	SNA
....5		AH81-09303A	A/S COVER-COVER ASSY;COVER ASSY,LEFT	1	SNA
....6		AH63-03918A	COVER-MX-J630 COVER FRONT-L;MX-J630 COVE	1	SNA
..3		AH82-01027A	A/S ASSY-PS-J630 R;PS-H630,SPEAKER ASSY,	1	SA
...4		AH81-09134A	A/S AUDIO-RECEIVER-LABEL_PS-J630-R;LABEL	1	SNA
...4		AH81-09135A	A/S AUDIO-RECEIVER-PE BAG;MX-J630,PE FOA	1	SNA
...4		AH82-01028A	A/S ASSY-PS-J630 R;PS-H630,SPEAKER ASSY,	1	SNA
....5	SCREW	6003-000282	SCREW-TAPTYPE;BH,+ , - ,B,M3,L8,ZPC(BLK),SW	2	SA
....5		AH59-02681A	UNIT-MX-J630 5.25INCH;MX-J630,5.25IHCH,4	1	SNA
....5		AH59-02682A	UNIT-MX-J630 35MM;MX-J630,35mm	1	SNA
....5		AH67-00767A	DUCT-DUCT;spk-J630,34*30	2	SNA
....5	T0082	AH81-05228C	SCREW-M4X10 BLACK;AV SPK,M4X10mm,BLACK,H	4	SNA
....5		AH81-05916J	A/S-FOOT-12X3T WITH DOTS;PS-C870,FOOT-12	4	SNA
....5		AH81-07377A	BOND-WOOD;AV SPK,Wood Bond,Subwoofer,Com	31	SNA
....5		AH81-07378A	BOND-PVC;AV SPK,PVC Bond,Subwoofer,Commo	30	SNA
....5		AH81-07379A	BOND-HOT MELT;AV SPK,Hot Melt,Subwoofer,	5	SNA
....5		AH81-09128A	A/S AUDIO-RECEIVER-FRAME_BODY;MX-J630,P.	1	SNA
....5		AH81-09129A	A/S AUDIO-RECEIVER-FRAME_BACK F;MX-J630,	1	SNA

## Exploded Views and Parts List

Level	Loc.	Part Code	Description & Specification	Qty.	SA/SNA
....5		AH81-09132A	A/S AUDIO-RECEIVER-SPEAKER CABLE ASSY PS	1	SNA
....6		AH81-09140A	A/S AUDIO-RECEIVER-PS-J630 CABLE_WOOFER;	1	SNA
....6		AH81-09141A	A/S AUDIO-RECEIVER-PS-J630 CABLE_TWEETER	1	SNA
....6		AH81-09142A	A/S AUDIO-RECEIVER-PS-J630 CAPACITANCE;P	1	SNA
....6		AH81-09143A	A/S AUDIO-RECEIVER-SHRINK TUBE;PS-J630,2	1	SNA
....6		AH81-09144A	A/S AUDIO-RECEIVER-SHRINK TUBE;PS-J630,3	1	SNA
....6		AH81-09145A	A/S AUDIO-RECEIVER-SPONGE FOR J630 NETWO	1	SNA
....6		AH81-09296A	A/S SPONGE-SPONGE CABLE-WOOFER;SPONGE CA	1	SNA
....6		AH81-09297A	A/S SPONGE-SPONGE CAPACITANCE;SPONGE CAP	1	SNA
....5		AH81-09304A	A/S COVER-COVER ASSY;COVER ASSY,RIGHT	1	SNA
....6		AH63-03917A	COVER-MX-J630 COVER FRONT-R;MX-J630 COVE	1	SNA
....6		AH63-03919A	COVER-MX-J630 DUMMY-TWEETER;MX-J630 DUMM	1	SNA
....6		AH63-03920A	COVER-GRILL-MX-J630;GRILL-MX-J630,SPCC	1	SNA
....6		AH63-03921A	COVER-EQ-J630;EQ-J630,ABS+PMMA	1	SNA
.2	ACCE4	AH96-03340A	ASSY ACCESSORY-MANUAL;MX-J630/J730	1	SNA
..3		4301-000116	BATTERY-ALKALINE;1.5V,R03,10.5x44.5mm,AA	2	SNA
..3	M0025	AH42-00021A	ANT FM T;T18011F-1,75 ohm,1800mm	1	SA
..3	REMO2	AH59-02694B	REMOCON;TM1241,45,3.0V,TM1241_Mini_MX-JS	1	SA
..3		AH63-02236R	SHEET-PEBAG;ALL MODEL,AL+PET,0.06,210,31	1	SNA
..3		AH68-02791L	MANUAL USERS;MX-J630,EN,14 Languages,MOJ	1	SNA
..3		AH68-50254B	LABEL-SERIAL;-,-,TETRON,T0.1,W42,L10,-,-	1	SNA
..3		BN68-03548H	LEAFLET-07,WARRANTY CARD;comm,Samsung,16	1	SNA