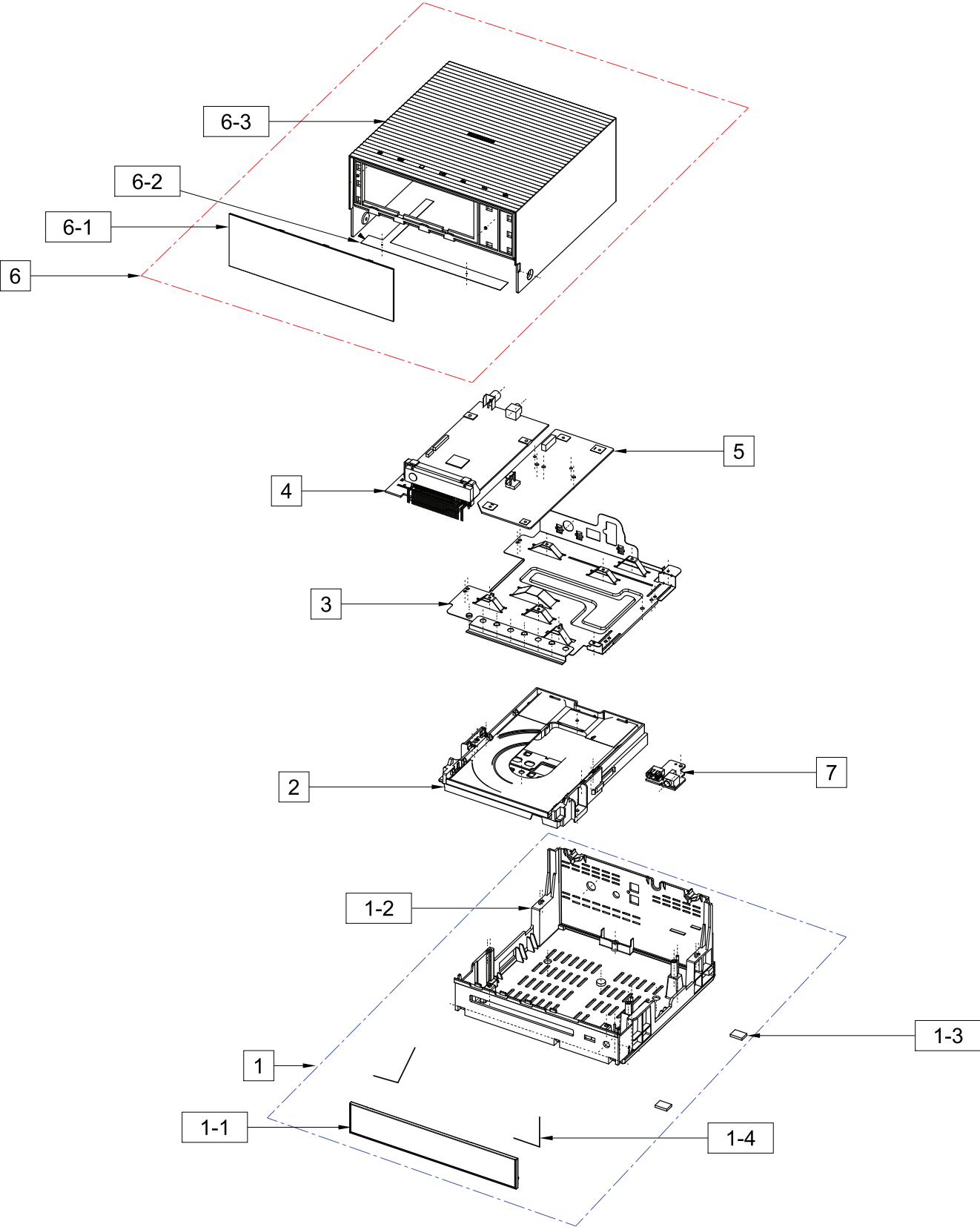


# 1. MM-J320/EN (ZZ01)

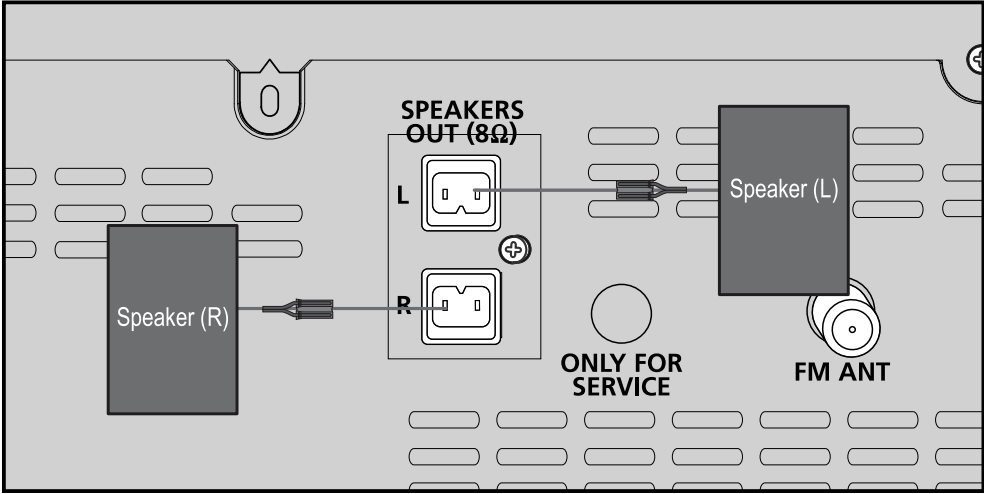
## Exploded View



## Parts List

No.	Lvl.	Loc.	Material Code	Description & Specification	SNA	Qty.
1	3	B001A	AH96-03760A	ASSY COVER P-BOTTOM; MM-J320,ASSY	SNA	1
1-1	4	AC227	AH63-04222A	COVER-DOOR; MM-J320,ABS	SNA	1
1-2	4	RB01	AH63-04219A	COVER-BOTTOM; MM-J320,ABS	SNA	1
1-3	4	AF501	AH61-03320A	FOOT-BOTTOM; MM-D330,RUBBER,BLK,2.5,MM-D3	SNA	4
1-4	4	ES04	AH61-04041A	SPRING ETC-DOOR; MM-J320,STS304,0.45	SNA	2
2	3	DECK	AH96-02267C	ASSY DECK P-CD; DP-31MM	SA	1
3	3		AH96-03783A	ASSY COVER P-BRACKET; MM-J320,ASSY	SNA	1
4	3	M0014	AH94-03629A	ASSY PCB MAIN; MM-J320,AH/M,MCD	SA	1
5	3	P001A	AH94-03646A	ASSY PCB SMPS; MM-J320,AH,SMPS,1	SA	1
6	2	T001A	AH96-03759C	ASSY COVER P-TOP; MM-J320,ASSY	SA	1
6-1	3		AH63-04221A	FRONT-DECO; MM-J320,ABS+PMMA	SNA	1
6-2	3		AH34-00037A	SWITCH MEMBRANE; MM-J330,MM-J330,167*176,	SNA	1
6-3	3	T001	AH63-04220A	COVER-TOP; MM-J320,ABS+PC	SNA	1
7	3	MF01A	AH94-03628A	ASSY PCB FRONT; MM-J330/320,AH/M,MCD	SA	1

## 2. Speaker System



### Parts List

Loc. No.	Part No.	Description;Specification	Qty.	SNA
Front Speaker (L)	AH82-01183A	A/S ASSY-PS-J320 FL WW; PS-J320,BASIC BUYER	1	SA
Front Speaker (R)	AH82-01184A	A/S ASSY-PS-J320 FR WW; PS-J320,BASIC BUYER	1	SA

### 3. Electrical Parts List

Level	Loc.	Part Code	Description & Specification	Qty.	SA/SNA
			<b>MM-J320/EN (ZZ01)</b>		
1		AH90-01334A	ASSY COVER TOP;MM-J320	1	SNA
.2	T001A	AH96-03759C	ASSY COVER P-TOP;MM-J320,ASSY	1	SA
...3		AH34-00037A	SWITCH MEMBRANE;MM-J330,MM-J330,167*176,	1	SNA
...3	T001	AH63-04220A	COVER-TOP;MM-J320,ABS+PC	1	SNA
...3		AH63-04221A	FRONT-DECO;MM-J320,ABS+PMMA	1	SNA
...3		AH63-04232A	SHEET-SIDE L;MM-J320,PET+SI,0.06,CLEAR	1	SNA
...3		AH63-04233A	SHEET-SIDE R;MM-J320,PET+SI,0.06,CLEAR	1	SNA
...3		AH63-04288A	SHEET-DECO-FRONT;PET+SI,0.05,clear	1	SNA
1		AH90-01335B	ASSY COVER BOTTOM;MM-J320	1	SNA
.2		AH96-03808B	ASSY KIT-C/B(M+S+J);MM-J320	1	SNA
...3	SCREW	6003-000276	SCREW-TAPTYPE;BH,+,-,B,M3,L10,ZPC(WHT),S	16	SA
...3		AH63-02170D	SHEET-WIRE;MM-J330/320,FABRIC,0.1,10,50,	1	SNA
...3	MF01A	AH94-03628A	ASSY PCB FRONT;MM-J330/320,AH/M,MCD	1	SA
...4		2401-001479	C-AL;470uF,20%,10V,GP,TP,6.3*11mm,5	1	SA
...4		3708-001616	CONNECTOR-FPC/FFC/PIC;9P,1mm,STRAIGHT,SN	1	SA
...4		3722-002546	JACK-USB;4P/1C,AU,BLK,ANGLE,A type	1	SC
...4		AH41-01807B	PCB-PCB-KEY AND JACK;MM-J320/330,FR-1,1.	1	SNA
...3	M0014	AH94-03629A	ASSY PCB MAIN;MM-J320,AH/M,MCD	1	SA
...4		0609-001200	MODULE REMOCON;VERTICAL,9.6mm,TR,0.85g	1	SA
...4		2401-003580	C-AL;1000uF,20%,35V,WT,TP,13x20mm,5	1	SA
...4		3711-006685	HEADER-BOARD TO BOARD;NOWALL,8P,1R,2.5MM	1	SA
...4		3716-001311	TERMINAL-BLOCK;TERMINAL JOINT,2P,4.5mm,5	1	SNA
...4		3722-001055	JACK-PHONE;5P/2C,AG,BLK,ANGLE	1	SA
...4		3722-002874	JACK-DIN;4P,SN,BLK,ANGLE	1	SA
...4	EV01	AH07-00274A	VF DISPLAY;7-BT-317NK,HT-D350,78.4X16.2X	1	SA
...4		AH27-00082A	COIL FILTER-TOROID;C630,15uH,5.5Mohm,12*	2	SA
...4		AH61-04097A	HOLDER-PCB-SHEET;MM-J320/330,SI	1	SNA
...4	AS100	AH63-04280A	SHEET-LED;MM-J320,PC,0.5,BLACK	1	SNA
...4	BT	AH96-02298A	ASSY BOARD P-RF-MODULE;Bluetooth Module,	1	SA
...4		AH96-03780A	ASSY COVER P-HOLDER VFD;MM-J320,ASSY	1	SNA
....5	AH410	AH61-04037A	HOLDER-VFD;MM-J320,ABS	1	SNA
....5		AH63-04265A	SHEET-TAPE;MM-J320,FELT,0.15,WHITE	1	SNA
...4		AH97-14281A	ASSY SMD;MM-J320,AH/M,MCD,AH94-03629A	1	SNA
....5		0202-001899	SOLDER-CREAM;M705-GRN360-K2-VT,20-38um,S	3	SNA
....5	DS01A	0401-001099	DIODE-SWITCHING;1N4148WS,75V,150mA,SOD-3	3	SA
....5		0403-001411	DIODE-ZENER;5.49-5.73V,200mW,SOD-323,TP	3	SA
....5		0403-001561	DIODE-ZENER;MMSZ5226B,3.135/3.465V(5%),5	1	SA

Level	Loc.	Part Code	Description & Specification	Qty.	SA/SNA
....5		0404-000002	DIODE-SCHOTTKY;CMPSH-3,30V,100mA,SOT-23,	1	SA
....5		0404-001881	DIODE-SCHOTTKY;SS3040-HE,40V,3000mA,SOD-	2	SA
....5		0406-001239	DIODE-TVS;RClamp0502B,6/-/V,125W,SOT-52	1	SNA
....5		0501-000002	TR-SMALL SIGNAL;KSA812,PNP,150mW,SOT-23,	1	SNA
....5		0501-000279	TR-SMALL SIGNAL;KSA1182-Y,PNP,150mW,SOT-	1	SA
....5		0501-000341	TR-SMALL SIGNAL;KSC1623-L,NPN,200mW,SOT-	2	SA
....5		0504-000110	TR-DIGITAL;DTC114EU,NPN,200MW,10K/10K,SC	2	SA
....5		0505-002598	FET-SILICON;AP2317GN,P,-20V,-4.2A,0.052o	2	SA
....5		0801-002681	IC-CMOS LOGIC;74HCU04,INVERTER,TSSOP,14P	1	SNA
....5		1003-001978	IC-MOTOR DRIVER;AM5766,HSOP28H,28P,17.9x	1	SA
....5		1003-002129	IC-VFD;PT6315A,LQFP,44P,10x10mm,-40/-15m	1	SA
....5		1103-001410	IC-EEPROM;S-24CS08AFJ-TB-1GE,8Kbit,1Kx8,	1	SNA
....5		1105-002494	IC-DRAM;M12L128168A-6TG2N,SDR,128M,2MX16	1	SA
....5		1201-000166	IC-OP AMP;LM358,SOP,ST,8P,150MIL,DUAL,10	1	SA
....5		1201-003738	IC-AUDIO AMP;UB6510,QFN,48P,7X7X0.85mm,D	1	SA
....5		1203-004364	IC-VOL. DETECTOR;RT9818C-42PV,SOT-23,3P,	1	SA
....5		1203-007107	IC-RESET;CAT853STBI-T3,SOT-23 3-Lead,3P,	1	SA
....5		1203-007144	IC-DC/DC CONVERTER;TPS54331D,SOIC8,8P,4.	2	SA
....5		1204-003345	IC-TUNER;SI4705-D60-GMR,QFN,20P,3x3mm,PL	1	SA
....5		1204-003466	IC-DECODER;ES8393ASA,LQFP,176P,22x22mm,P	1	SA
....5		1205-004692	IC-SWITCH;TPS2069CDBVR,SOT-23,5P,5.0x3.1	1	SA
....5		1405-001192	VARISTOR;12Vdc,30A,1.6x0.8mm,TP,50V,0.3p	4	SA
....5		1405-001306	VARISTOR;11Vdc,45A,0.6x0.3mm,TP,50V	2	SA
....5		2007-000039	R-CHIP;0ohm,1%,1/10W,TP,1608	1	SA
....5		2007-000052	R-CHIP;10Kohm,1%,1/10W,TP,1608	6	SA
....5		2007-000070	R-CHIP;0ohm,5%,1/10W,TP,1608	4	SA
....5		2007-000071	R-CHIP;22ohm,5%,1/10W,TP,1608	8	SA
....5		2007-000075	R-CHIP;220ohm,5%,1/10W,TP,1608	10	SA
....5		2007-000082	R-CHIP;3.3Kohm,5%,1/10W,TP,1608	1	SA
....5		2007-000096	R-CHIP;30Kohm,5%,1/10W,TP,1608	2	SNA
....5		2007-000097	R-CHIP;47Kohm,5%,1/10W,TP,1608	4	SA
....5		2007-000109	R-CHIP;1Mohm,5%,1/10W,TP,1608	1	SA
....5		2007-000113	R-CHIP;33ohm,5%,1/10W,TP,1608	3	SA
....5		2007-000121	R-CHIP;820ohm,5%,1/10W,TP,1608	1	SA
....5		2007-000129	R-CHIP;27Kohm,5%,1/10W,TP,1608	2	SA
....5		2007-000138	R-CHIP;100ohm,5%,1/16W,TP,1005	17	SA
....5		2007-000139	R-CHIP;220ohm,5%,1/16W,TP,1005	1	SA
....5		2007-000140	R-CHIP;1Kohm,5%,1/16W,TP,1005	6	SNA
....5		2007-000141	R-CHIP;2.2Kohm,5%,1/16W,TP,1005	2	SNA
....5		2007-000143	R-CHIP;4.7Kohm,5%,1/16W,TP,1005	12	SNA

Exploded Views and Parts List

Level	Loc.	Part Code	Description & Specification	Qty.	SA/SNA
....5		2007-000146	R-CHIP;6.8Kohm,5%,1/16W,TP,1005	1	SNA
....5		2007-000147	R-CHIP;8.2Kohm,5%,1/16W,TP,1005	1	SA
....5		2007-000148	R-CHIP;10Kohm,5%,1/16W,TP,1005	39	SA
....5		2007-000153	R-CHIP;22Kohm,5%,1/16W,TP,1005	3	SA
....5		2007-000155	R-CHIP;27Kohm,5%,1/16W,TP,1005	1	SNA
....5		2007-000157	R-CHIP;47Kohm,5%,1/16W,TP,1005	4	SNA
....5		2007-000161	R-CHIP;82Kohm,5%,1/16W,TP,1005	1	SNA
....5		2007-000162	R-CHIP;100Kohm,5%,1/16W,TP,1005	3	SNA
....5		2007-000168	R-CHIP;470Kohm,5%,1/16W,TP,1005	1	SNA
....5		2007-000170	R-CHIP;1Mohm,5%,1/16W,TP,1005	2	SNA
....5		2007-000171	R-CHIP;0ohm,5%,1/16W,TP,1005	1	SNA
....5		2007-000173	R-CHIP;22ohm,5%,1/16W,TP,1005	2	SNA
....5		2007-000174	R-CHIP;47ohm,5%,1/16W,TP,1005	2	SNA
....5		2007-000242	R-CHIP;1.5Kohm,5%,1/16W,TP,1005	2	SA
....5		2007-000308	R-CHIP;10ohm,5%,1/8W,TP,2012	8	SA
....5		2007-000502	R-CHIP;2.2ohm,5%,1/8W,TP,2012	2	SC
....5		2007-000701	R-CHIP;3.6Kohm,1%,1/10W,TP,1608	1	SNA
....5		2007-000758	R-CHIP;330Kohm,5%,1/16W,TP,1005	4	SNA
....5		2007-000772	R-CHIP;33Kohm,1%,1/10W,TP,1608	1	SA
....5		2007-000775	R-CHIP;33Kohm,5%,1/16W,TP,1005	2	SA
....5		2007-000783	R-CHIP;33ohm,5%,1/4W,TP,3216	1	SNA
....5		2007-000831	R-CHIP;39Kohm,5%,1/16W,TP,1005	1	SA
....5		2007-000842	R-CHIP;3Kohm,1%,1/10W,TP,1608	1	SNA
....5		2007-000883	R-CHIP;4.7ohm,5%,1/4W,TP,3216	1	SNA
....5		2007-000932	R-CHIP;470ohm,5%,1/16W,TP,1005	1	SA
....5		2007-001119	R-CHIP;680ohm,5%,1/16W,TP,1005	1	SNA
....5		2007-001284	R-CHIP;4.7ohm,5%,1/16W,TP,1005	1	SNA
....5		2007-001292	R-CHIP;33ohm,5%,1/16W,TP,1005	23	SNA
....5		2007-001301	R-CHIP;68ohm,5%,1/16W,TP,1005	1	SA
....5		2007-001319	R-CHIP;1.2Kohm,5%,1/16W,TP,1005	3	SA
....5		2007-001325	R-CHIP;3.3Kohm,5%,1/16W,TP,1005	3	SNA
....5		2007-001333	R-CHIP;18Kohm,5%,1/16W,TP,1005	1	SA
....5		2007-002900	R-CHIP;11Kohm,1%,1/10W,TP,1608	1	SNA
....5		2007-007307	R-CHIP;150ohm,1%,1/16W,TP,1005	1	SNA
....5		2007-007318	R-CHIP;1Kohm,1%,1/16W,TP,1005	2	SNA
....5		2007-008136	R-CHIP;36Kohm,1%,1/16W,TP,1005	2	SNA
....5		2011-001344	R-NETWORK;100ohm,5%,1/16W,L,CHIP,8P,TP,2	10	SA
....5		2011-001345	R-NETWORK;10Kohm,5%,1/16W,L,CHIP,8P,TP,2	1	SA
....5		2011-001396	R-NETWORK;4.7Kohm,5%,1/16W,L,CHIP,8P,TP,	1	SA
....5	AD480	2203-000138	C-CER,CHIP;1.5nF,10%,50V,X7R, TP,1005	4	SA

Level	Loc.	Part Code	Description & Specification	Qty.	SA/SNA
....5	AD480	2203-000206	C-CER,CHIP;100nF,10%,50V,X7R,TP,2012	4	SNA
....5	AD480	2203-000233	C-CER,CHIP;0.1nF,5%,50V,C0G,TP,1005	23	SNA
....5	AD480	2203-000254	C-CER,CHIP;10nF,10%,16V,X7R,TP,1005	1	SA
....5	AD480	2203-000257	C-CER,CHIP;10nF,10%,50V,X7R,TP,1608	1	SA
....5	AD480	2203-000278	C-CER,CHIP;0.01nF,0.5pF,50V,C0G,TP,1005	6	SA
....5	AD480	2203-000386	C-CER,CHIP;0.015nF,5%,50V,C0G,TP,1005	8	SA
....5	AD480	2203-000438	C-CER,CHIP;1nF,10%,50V,X7R,TP,1005	5	SNA
....5	AD480	2203-000440	C-CER,CHIP;1nF,10%,50V,X7R,TP,1608	1	SNA
....5	AD480	2203-000585	C-CER,CHIP;0.22nF,10%,50V,X7R,TP,1005	2	SNA
....5	AD480	2203-000627	C-CER,CHIP;0.022nF,5%,50V,C0G,TP,1005	4	SNA
....5	AD480	2203-000679	C-CER,CHIP;0.027nF,5%,50V,C0G,TP,1005	2	SA
....5	AD480	2203-000696	C-CER,CHIP;0.002nF,0.25pF,50V,C0G,TP,100	1	SA
....5	AD480	2203-000995	C-CER,CHIP;0.047nF,5%,50V,C0G,TP,1005	4	SNA
....5	AD480	2203-001124	C-CER,CHIP;0.68nF,10%,50V,X7R,TP,1005	1	SNA
....5	AD480	2203-001412	C-CER,CHIP;0.03nF,5%,50V,NP0,TP,1005	2	SNA
....5	AD480	2203-001428	C-CER,CHIP;470nF,10%,50V,X7R,TP,2012	2	SNA
....5	AD480	2203-002285	C-CER,CHIP;10nF,10%,50V,X7R,TP,1005	4	SNA
....5	AD480	2203-002392	C-CER,CHIP;220nF,+80-20%,50V,Y5V,TP,2012	6	SA
....5	AD480	2203-005138	C-CER,CHIP;1.8nF,10%,50V,X7R,TP,1005	2	SA
....5	AD480	2203-005221	C-CER,CHIP;15nF,10%,50V,X7R,TP,1608	2	SNA
....5	AD480	2203-005249	C-CER,CHIP;100nF,10%,50V,X7R,TP,1608	7	SNA
....5	AD480	2203-005344	C-CER,CHIP;22nF,10%,25V,X7R,TP,1005,0.5T	1	SNA
....5	AD480	2203-005968	C-CER,CHIP;4.7nF,10%,50V,X7R,TP,1005,0.5	1	SNA
....5	AD480	2203-006048	C-CER,CHIP;100nF,10%,10V,X7R,TP,1005	30	SA
....5	AD480	2203-006158	C-CER,CHIP;100nF,10%,16V,X7R,TP,1005,0.5	36	SA
....5	AD480	2203-006460	C-CER,CHIP;2200nF,10%,16V,X5R,TP,1608,-	3	SA
....5	AD480	2203-006474	C-CER,CHIP;22000nF,20%,6.3V,X5R,TP,2012	1	SA
....5	AD480	2203-006698	C-CER,CHIP;1000nF,10%,25V,X7R,TP,1608,0.	5	SA
....5	AD480	2203-006741	C-CER,CHIP;470nF,10%,25V,X5R,TP,1608,0.8	2	SNA
....5	AD480	2203-006841	C-CER,CHIP;1000nF,10%,16V,X5R,TP,1005	1	SNA
....5	AD480	2203-006890	C-CER,CHIP;10000nF,20%,6.3V,X5R,TP,1608	10	SNA
....5	AD480	2203-007230	C-CER,CHIP;47000nF,20%,6.3V,X5R,TP,2012(	4	SNA
....5	AD480	2203-007486	C-CER,CHIP;1000nF,10%,50V,X5R,TP,1608	2	SNA
....5	AD480	2203-007513	C-CER,CHIP;10000nF,10%,10V,X5R,TP,1608,0	21	SA
....5	AD480	2203-007717	C-CER,CHIP;82nF,10%,50V,X7R,TP,1608	4	SNA
....5		2402-001160	C-AL,SMD;330UF,20%,16V,WT,TP,1008	3	SNA
....5		2402-001254	C-AL,SMD;10uF,20%,50V,WT,TP,6.3x5.2mm	1	SA
....5		2703-001838	INDUCTOR-SMD;100nH,5%,1608,1.6Ohm,300mA,	1	SNA
....5		2703-003862	INDUCTOR-SMD;10uH,20%,6060,0.065ohm,1900	2	SA
....5		2703-004724	INDUCTOR-SMD;8.2uH,20%,5050,4mm,0.072Ohm	4	SA

Exploded Views and Parts List

Level	Loc.	Part Code	Description & Specification	Qty.	SA/SNA
....5		2801-003856	CRYSTAL-SMD;0.032768MHz,20ppm,28-ACP,7pF	1	SNA
....5		2801-004284	CRYSTAL-SMD;27MHz,10ppm,28-AAN,20pF,30oh	1	SA
....5		2801-005258	CRYSTAL-SMD;18.432MHz,30ppm,SMD,20pF,370	1	SA
....5		3301-000314	BEAD-SMD;120ohm,1608,TP,120ohm/100MHz	4	SNA
....5		3301-001404	BEAD-SMD;30ohm,2012,TP,15.9OHM/30MHz	19	SA
....5		3708-002403	CONNECTOR-FPC/FFC/PIC;23P,1mm,SMD-S,SN,N	1	SA
....5		3708-002792	CONNECTOR-FPC/FFC/PIC;9P,1mm,SMD-S,SN,N,	3	SA
....5		3710-004087	CONNECTOR-SOCKET;10P,1R,1.25mm,SMD-S,SN,	1	SNA
....5		AH11-00325A	IC MASK ROM-TOUCH SENSOR;TOUCHCORE350-ML	1	SNA
....5		AH41-01806A	PCB;MM-J330/320,FR-4,2,1.6,169*207,1	1	SNA
....5		AH97-14319A	ASSY MICOM-MAIN;MM-J330,P3C MIC4,1107-00	1	SNA
....6	IC	1107-002265	IC-NOR FLASH;W25Q32FVSSIG,32Mbit,SOP,8P,	1	SA
...4	T0066	BP62-00047B	HEAT SINK-ES;MU15UO,A6063S,T3.0,13,12.8,	1	SNA
...3	P001A	AH94-03646A	ASSY PCB SMPS;MM-J320,AH,SMPS,1	1	SA
...4		0202-001522	SOLDER-WIRE FLUX;LFA3-107,D1.2,96.5Sn/3A	0	SNA
...4		0202-001768	SOLDER-BAR;HSE-16,S60S-20,D3,SN/0.5CU/0.	4	SNA
...4		0204-002514	THINNER;TS4500,OXIGEN,NO,13.15KG,14KG/BO	2	SNA
...4		0204-002606	FLUX;LF-715K,OXIGEN,NO,16000L,14%,16kg,G	1	SNA
...4	DR01A	0402-001439	DIODE-RECTIFIER;SHK75-11,100V,3A,DO-201A	2	SA
...4	DR01A	0402-001783	DIODE-RECTIFIER;SF35G,300V,3A,DO-201AD,T	1	SA
...4		0604-001452	PHOTO-COUPLER;TR,130~260%,200mW,DIP-4,ST	1	SA
...4		1203-006615	IC-SWITCH CUR. REG.;DIP,7P,9.52*7.87*4.3	1	SA
...4		1404-001361	THERMISTOR-NTC;3ohm,4A,-,35mW/C,0uF,9,TP	1	SA
...4		1405-000154	VARISTOR;560V,460Vdc,4500A,17.5x7.5mm,BK	1	SA
...4		2201-000963	C-CERAMIC,DISC;1nF,20%,400V,Y5U,9.5x6mm,	3	SNA
...4		2301-001220	C-FILM,LEAD-PPF;100nF,10%,275V,BK,18x6x1	2	SA
...4		2401-004934	C-AL;68uF,20%,450V,BK,18*25,7.5mm	1	SA
...4		3710-002606	SOCKET-BOARD TO BOARD;8P,1R,2.5MM,STRAIG	1	SNA
...4	EH01	3711-000203	HEADER-BOARD TO CABLE;1WALL,2P/3P,1R,7.9	1	SA
...4		AH26-00393A	TRANS SWITCHING;EE2525W,MM-E320,FREE,PL-	1	SA
...4		AH68-50254B	LABEL-SERIAL;-,-,TETRON,T0.1,W42,L10,-,-	1	SNA
...4		AH97-14374A	ASSY AUTO;AH,1,AH94-03646A	1	SNA
....5	DR01A	0402-000012	DIODE-RECTIFIER;UF4007,1000V,1A,DO-41,TP	2	SA
....5	DR01A	0402-000137	DIODE-RECTIFIER;1N4007,1000V,1A,DO-41,TP	4	SNA
....5	DR01A	0402-000274	DIODE-RECTIFIER;UF4004,400V,1A,DO-41,TP	2	SNA
....5		0403-000537	DIODE-ZENER;1N4749A,5%,1000mW,DO-41,TP	1	SA
....5		0403-000720	DIODE-ZENER;MTZJ9.1B,8.57/9.01V,500mW,DO	1	SNA
....5		1203-001217	IC-POSLADJUST REG.;431,TO-92,3P,4.58MIL	1	SA
....5		2001-000016	R-CARBON(S);1ohm,5%,1/2W,AA,TP,2.4x6.4mm	1	SNA
....5		2001-000019	R-CARBON(S);10ohm,5%,1/2W,AA,TP,2.4x6.4m	1	SNA



Level	Loc.	Part Code	Description & Specification	Qty.	SA/SNA
....5		2001-000020	R-CARBON(S);22ohm,5%,1/2W,AA,TP,2.4x6.4m	1	SA
....5		2001-000290	R-CARBON;10Kohm,5%,1/8W,AA,TP,1.8x3.2mm	1	SA
....5		2001-000429	R-CARBON;1Kohm,5%,1/8W,AA,TP,1.8x3.2mm	2	SA
....5		2001-000515	R-CARBON;220ohm,5%,1/8W,AA,TP,1.8x3.2mm	1	SA
....5		2001-000793	R-CARBON;47ohm,5%,1/8W,AA,TP,1.8x3.2mm	1	SA
....5		2001-001146	R-CARBON(S);4.7ohm,5%,1/2W,AA,TP,2.4x6.4	1	SA
....5		2002-001078	R-COMPOSITION;1.2Mohm,5%,1/4W,AA,TP,2.5x	1	SA
....5		2003-000995	R-METAL OXIDE(S);3.3Kohm,5%,2W,AF,TP,3.9	1	SA
....5		2003-002102	R-METAL OXIDE(S);68Kohm,5%,2W,AF,TP,4x12	1	SC
....5		2003-002197	R-METAL OXIDE;0.47ohm,5%,2W,AF,TP,3.9x10	1	SA
....5		2004-000900	R-METAL;4.7Kohm,1%,1/8W,AA,TP,1.8x3.2mm	2	SA
....5		2201-000285	C-CERAMIC,DISC;1nF,10%,1000V,Y5P,TP,8x5m	1	SA
....5		2301-000005	C-FILM,LEAD-PEF;33nF,5%,100V,TP,5.8x12.5	1	SA
....5		2301-000129	C-FILM,LEAD-PEF;100nF,5%,50V,TP,10x9x4.3	2	SC
....5		2301-000188	C-FILM,LEAD-PEF;1nF,5%,100V,TP,10.5x12.5	2	SA
....5		2305-001016	C-FILM,LEAD-PEF;10nF,10%,630V,TP,12.5x6.	1	SNA
....5		2401-000038	C-AL;470uF,20%,25V,GP,TP,10x12.5mm,	2	SA
....5		2401-000970	C-AL;22uF,20%,50V,WT,TP,5x11,5	1	SNA
....5		2401-001358	C-AL;470uF,20%,10V,WT,TP,8x11.5mm,5	3	SA
....5		2401-001364	C-AL;470uF,20%,16V,GP,TP,10x12.5,5	1	SA
....5		2401-001583	C-AL;47uF,20%,50V,WT,TP,6.3x11,5	1	SA
....5		2401-005161	C-AL;0.47uF,20%,50V,TP,5*11,5mm	1	SA
....5		3301-000297	BEAD-AXIAL;25ohm,3.6x1.2x5.7mm,TP	1	SNA
....5		3601-001127	FUSE-RADIAL LEAD;250V,3.15A,TIME-LAG,PVC	1	SA
....5		3811-001868	WIRE-NO SHEATH CU;SnCuFe,52mm,GRY	8	SNA
....5		6042-000002	EYELET;ID1.5,OD2.0,L2.8,Ni+Sn PLT,BRASS	4	SNA
....5		AH41-01496B	PCB-SMPS;MM-E320,FR-1,2,00,1.6,168MM*160	1	SNA
...4		AK29-00004A	FILTER LINE NOISE;BD-P1600,SQ2116,2.0 ma	2	SA
..3	DECK	AH96-02267C	ASSY DECK P-CD;DP-31MM	1	SA
..3	B001A	AH96-03760A	ASSY COVER P-BOTTOM;MM-J320,ASSY	1	SNA
...4	AF501	AH61-03320A	FOOT-BOTTOM;MM-D330,RUBBER,BLK,2.5,MM-D3	4	SNA
...4	ES04	AH61-04041A	SPRING ETC-DOOR;MM-J320,STS304,0.45	2	SNA
...4	RB01	AH63-04219A	COVER-BOTTOM;MM-J320,ABS	1	SNA
...4	AC227	AH63-04222A	COVER-DOOR;MM-J320,ABS	1	SNA
...4	AS071	AH63-04289A	SHEET-DOOR;PET+SI,0.05,clear	1	SNA
..3		AH96-03783A	ASSY COVER P-BRACKET;MM-J320,ASSY	1	SNA
...4	CB07	AH61-04038A	BRACKET-PCB;MM-J320,EGI-SECC,0.5	1	SNA
...4	AB155	AH61-04075A	BRACKET-FRONT;MM-J320,EGI-SECC,0.5	1	SNA
..3	FL06	AH96-03890A	ASSY CABLE P;MM-J320/330,150MM,9P	1	SA
1		AH91-00900A	ASSY SHIELD;MM-J320	1	SNA

Exploded Views and Parts List

Level	Loc.	Part Code	Description & Specification	Qty.	SA/SNA
.2	T0268	3903-000396	CBF-POWER CORD;AT,EU,CP2,HOUSING(2P),250	1	SA
.2	SCREW	6003-000275	SCREW-TAPTYPE;BH,+,B,M3,L10,ZPC(BLK),SWR	5	SA
1		AH92-04722A	ASSY LABEL;HT-J4500	1	SNA
.2		AK68-02233C	LABEL RATING;AV ALL,WW,ART PAPER,80,23,L	1	SNA
1		AH92-04807B	ASSY BOX;MM-J320	1	SNA
.2		AH68-01981M	LABEL-BOX;ALL MODEL,ALL BUYER,heat sensi	1	SNA
.2		AH69-04545B	BOX UNIT-SET;MM-J320/EN,CB,SW3,A1,W640,D	2	SNA
1	ACCE1	AH92-04808B	ASSY ACCESSORY;MM-J320	1	SNA
.2		AH96-03562B	ASSY ACCESSORY MANUAL/CABLE;MM-J320	1	SNA
...3		4301-000116	BATTERY-ALKALINE;1.5V,R03,10.5x44.5mm,AA	2	SNA
...3	M0025	AH42-00021A	ANT FM T;T18011F-1,75 ohm,1800mm	1	SA
...3	REMO2	AH59-02431A	REMOCON;VR8023,23,3.0V,D-COMPO, MX-E320,	1	SA
...3		AH63-02236P	SHEET-PE;HW-F550,LDPE,0.06,435,210,WHITE	1	SNA
...3		AH68-02875F	MANUAL USERS;MM-J330,EN,14 Language,MOJO	1	SNA
...3		AH68-50254B	LABEL-SERIAL;-,-,TETRON,T0.1,W42,L10,-,-	1	SNA
...3		BN68-03548H	LEAFLET-09, WARRANTY;comm,Samsung,16Lan	1	SNA
.2	SP01A	AH96-03778A	ASSY SPEAKER P;PS-J320	1	SNA
...3		AH69-04541A	CUSHION-SPK;MM-J320,EPS	1	SNA
...3		AH81-07530A	SPEAKER-PE BAG;PE BAG,PART FOR PS-E320	2	SNA
...3		AH82-01183A	A/S ASSY-PS-J320 FL WW;PS-J320,BASIC BUY	1	SA
...4		AH81-09569A	A/S AUDIO-RECEIVER-WIRE FRONT L FOR PS-J	1	SNA
...4		AH81-09573A	A/S AUDIO-RECEIVER;LABEL-FRONT-LEFT,RART	1	SNA
...3		AH82-01184A	A/S ASSY-PS-J320 FR WW;PS-J320,BASIC BUY	1	SA
...4	SCREW	6003-000275	SCREW-TAPTYPE;BH,+,B,M3,L10,ZPC(BLK),SWR	2	SA
...4	SCREW	6003-001188	SCREW-TAPTYPE;BH,+,-,B,M4,L10,ZPC(WHT),S	4	SA
...4		AH59-02725A	UNIT-WOOFER;PS-J320,8 ohm,PP CONE,100mm,	1	SNA
...4		AH59-02726A	UNIT-TWEETER-PZT;PS-J320,PIEZO,SILK DOME	1	SNA
...4		AH63-04218A	COVER-FRONT SPK;MM-J320,ABS	1	SNA
...4		AH63-04229A	COVER DUCT-PAPER;MM-J320,PAPER	1	SNA
...4		AH64-05972A	CABINET FRAME-BODY;MM-J320,WOOD	1	SNA
...4		AH64-05973A	CABINET FRAME-BACK;MM-J320,WOOD	1	SNA
...4		AH81-07533A	SPEAKER-FOOT;FOOT,PART FOR PS-E320,D15*3	4	SNA
...4		AH81-09570A	A/S AUDIO-RECEIVER-WIRE FRONT R FOR PS-J	1	SNA
...4		AH81-09574A	A/S AUDIO-RECEIVER-LABEL-FRONT-RIGHT;LAB	1	SNA
1		AH92-04809A	ASSY P/MATERIAL;MM-J320	1	SNA
.2		0203-001100	TAPE-OPP MASKING;OPP/W75/CLR,T0.075,W75,	1	SNA
.2		AH63-01301D	SHEET-SET;MM-C330,HDPE+NITRON,0.52,W630,	1	SNA
.2		AH69-04538A	CUSHION-SET;MM-J320,EPS	1	SNA