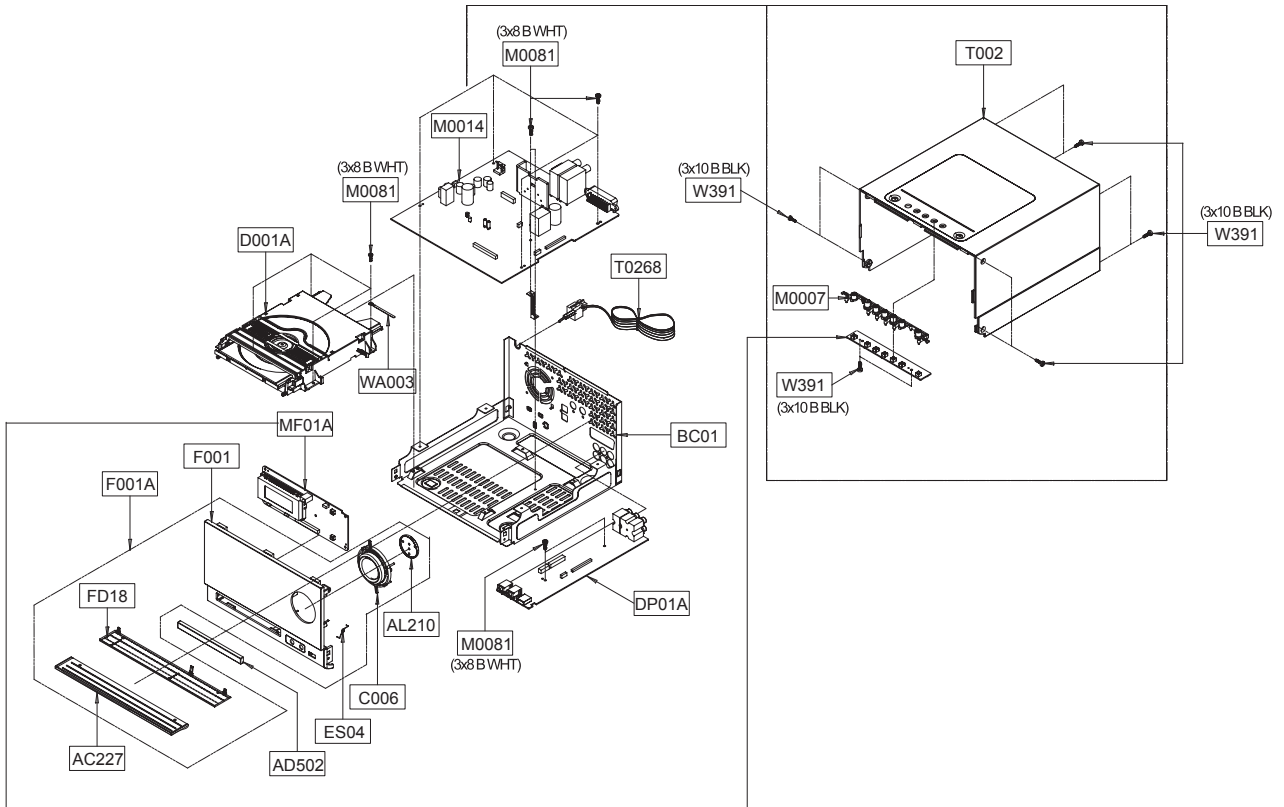


5. Exploded View & Part List

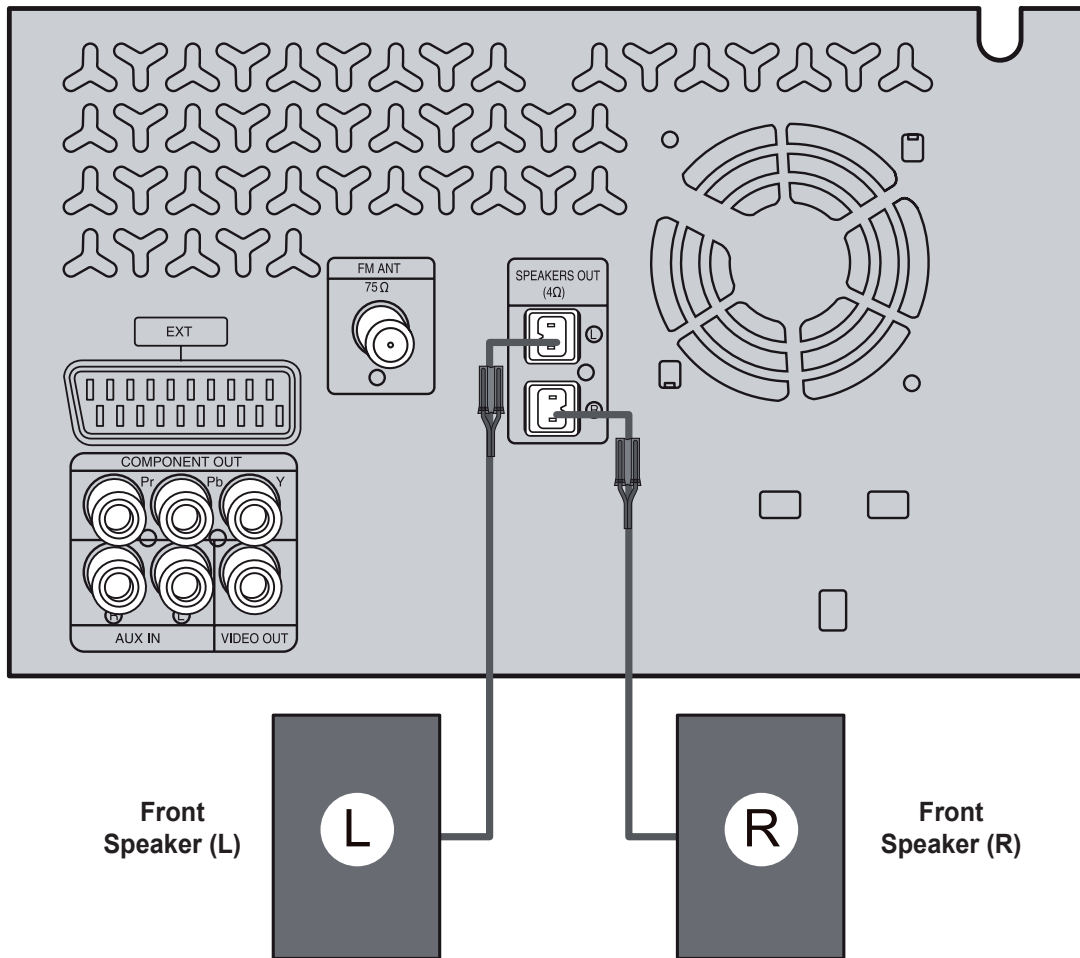
5-1 Exploded View



■ Part List

Loc. No.	Part No.	Description;Specification	Qty.	SNA	Remark
AC227	AH63-02131A	COVER-DOOR;MM-C330,PMMA,1.5,34,229.5,BLA	1	SA	
AD502	AH64-05323B	DOOR-DVD;MM-C330,ABS,1,15,15,147,BLACK	1	SA	
AL210	AH67-00542A	LENS-VOLUME;MM-DG25,ABS,WHITE,34.5,2.9,M	1	SNA	
BC01	AH64-05326A	CABINET-BOTTOM;MM-C330,EGI-SECC,0.6,229,	1	SNA	
C006	AH64-05044A	KNOB-VOLUME;MM-DG25,ABS+PMMA,2,60,22.5,B	1	SNA	
D001A	AK97-02255C	ASSY DECK-DVD;DP-24A,S78RFL-DL5FL,FFC 23	1	SA	
DP01A	AH94-02495A	ASSY PCB DECK-MPEG;MPEG PCB ASSY,MM-C330	1	SA	
ES04	AH61-03096A	SPRING ETC-DOOR;MM-C330,EGI-SECC,0.4,20,	1	SA	
F001	AH64-05296A	CABINET-FRONT;MM-C330,ABS+PMMA,2.5,230,1	1	SNA	
F001A	AH96-00251A	ASSY COVER P-FRONT;MM-C330,ASSY,BLACK	1	SA	
FD18	AH64-05297A	DOOR-FRONT;MM-C330,ABS+PMMA,2.5,31,230,7	1	SA	
M0007	AH64-05045A	KNOB-FUNCTION;MM-DG25,ABS+PMMA,2,14.5,16	1	SA	
M0014	AH94-02497A	ASSY PCB MAIN;MAIN PCB ASSY,MM-C330D/EDC	1	SA	
M0081	6003-001375	SCREW-TAPTYPE;BH,+,-,B,M3,L8,ZPC(WHT),SW	23	SA	
MF01A	AH94-02502A	ASSY PCB FRONT;FRONT PCB ASSY,MM-C330,BA	1	SA	
T002	AH64-05042E	CABINET-TOP NO TAPE;MM-C330,HIPS,2,229.5	1	SNA	
T0268	AC39-10019A	CBF-POWER CORD;AT,CP2,HOUIING(2P),250V,2.	1	SA	
W391	6003-000275	SCREW-TAPTYPE;BH,+,-,B,M3,L10,ZPC(BLK),SWR	11	SA	
WA003	AH66-00303A	WIRE-CLAMP;MAX-G55,NYLON,L24,BLK	1	SNA	

5-2 Speaker System



■ Part List

Loc. No.	Part No.	Description;Specification	Qty.	SNA	Remark
Front Speaker (L/R)	AH81-05969A	PS-C330D,FRONT SPK	1	SA	

5-3 Electrical Part List

Loc. No.	Part No.	Description	Specification	Qty.	SNA	Remark
MF01A	AH94-02502A	ASSY PCB FRONT	FRONT PCB ASSY,MM-C330,BA	1	SA	
AAR35	2001-000241	R-CARBON	1.5Kohm,5%,1/8W,AA,TP,1.8x3.2mm	1	SA	
AC510	3708-000411	CONNECTOR-FPC/FFC/PIC	12P,1.25mm,STRAIGH	1	SA	
AH410	AH61-03095A	HOLDER-VFD	MM-C330,ABS,2.5,20,60,BLACK	1	SNA	
AHR54	2001-000258	R-CARBON	1.8Kohm,5%,1/8W,AA,TP,1.8x3.2mm	1	SA	
AS170	AH63-02129A	SHEET-VFD	MM-C330,PC,1,25,90,RED	1	SNA	
C	2401-000480	C-AL	10uF,20%,50V,GP,TP,5x11,5	3	SC	
C0104	3809-001434	CABLE-FLAT	30V,80C,100MM,12P,1.25MM,UL28	1	SA	
C527	2202-000797	C-CERAMIC,MLC-AXIAL	10NF,30%,16V,Y5S,TP,	1	SA	
C610	2202-002037	C-CERAMIC,MLC-AXIAL	100nF,+80-20%,50V,Y5	1	SA	
C661	2202-002055	C-CERAMIC,MLC-AXIAL	47nF,+80-20%,50V,Y5V	5	SA	
EH01	3711-000814	HEADER-BOARD TO CABLE	BOX,2P,1R,2.5mm,AN	1	SA	
EV01	AH07-00264A	VF DISPLAY	HNA-09SS83T,MM-C330,89.6*25*6	1	SNA	
JP21	3811-001868	WIRE-NO SHEATH CU	SnCuFe,52mm,GRY	6	SNA	
KD2	0401-000005	DIODE-SWITCHING	1N4148,75V,150mA,DO-35,T	3	SA	
KSW5	3404-000165	SWITCH-TACT	12V,50mA,160gf,6x6x5,SPST	9	SC	
L0405	0601-001739	LED	ROUND(Inverter),RED,3mm,660nm,3x3.8m	3	SA	
NULL1	0202-001214	SOLDER-WIRE FLUX	HSE04 SR-34 SUPER,-,D1.	0.095	SNA	
PR17	2001-001153	R-CARBON(S)	47ohm,5%,1/2W,AA,TP,2.4x6.4m	2	SC	
PZD05	0403-001321	DIODE-ZENER	MTZJ6.8C,6.7-6.97V,500mW,DO-	1	SA	
R17	2001-000591	R-CARBON	3.3Kohm,5%,1/8W,AA,TP,1.8x3.2mm	1	SA	
R1P10B	2001-000290	R-CARBON	10Kohm,5%,1/8W,AA,TP,1.8x3.2mm	2	SA	
R1P110	2001-000449	R-CARBON	2.2Kohm,5%,1/8W,AA,TP,1.8x3.2mm	1	SA	
R3A04	2001-000221	R-CARBON	1.2Kohm,5%,1/8W,AA,TP,1.8x3.2mm	1	SA	
R4N03	2001-000281	R-CARBON	100ohm,5%,1/8W,AA,TP,1.8x3.2mm	6	SA	
R671	2001-000734	R-CARBON	4.7Kohm,5%,1/8W,AA,TP,1.8x3.2mm	1	SA	
R704	2001-000837	R-CARBON	51Kohm,5%,1/8W,AA,TP,1.8x3.2mm	1	SA	
SCR2	2001-000995	R-CARBON	820ohm,5%,1/8W,AA,TP,1.8x3.2mm	1	SA	
SCR3	2001-000429	R-CARBON	1Kohm,5%,1/8W,AA,TP,1.8x3.2mm	1	SA	
UIC2	0609-001189	MODULE REMOCON	HORIZONTAL,16.4mm,TR	1	SC	
VS197	AH39-20008M	LEAD CONNECTOR ASSY	5264,5395,2P,150MM,1	1	SA	
	0202-001463	SOLDER-WIRE	LFC2-W3.0,-,D3,99.79Sn/0.2Cu	3.543	SNA	
	0204-002420	SOLVENT	1M-1000,C3H7OH,96	0.002	SNA	
	0204-002607	FLUX	DF-234U,13%,14KG,Gravity 0.82	0.653	SNA	
	1003-002176	IC-VFD	MC3401,LQFP,44P,10x10mm,-40mA/-15	1	SA	
	AH41-01333A	PCB-FRONT	MM-C330,KB,1,T1.6,190*168,PCB-	1	SNA	
	AH97-04875A	ASSY AUTO-FRONT ASSY	MM-C330,1,AH94-0250	1	SNA	
	AH97-04876A	ASSY MANUAL INSERT-FRONT PCB FRONT PCB A		1	SNA	
DP01A	AH94-02495A	ASSY PCB DECK-MPEG	MPEG PCB ASSY,MM-C330	1	SA	
AAC14	2203-000888	C-CER,CHIP	4.7nF,10%,50V,X7R,TP,1608	2	SA	
AAR39	2007-000123	R-CHIP	1.5Kohm,5%,1/10W,TP,1608	2	SA	
AC28	2203-001607	C-CER,CHIP	0.22nF,5%,50V,NP0,1608	4	SA	
AD1	0407-000116	DIODE-SWITCHING	KDS181,DAP202K,SDS2836,8	1	SA	
AE4	2401-000918	C-AL	22uF,20%,16V,GP,-,6.3x7,5	2	SA	
AHE10	2401-000414	C-AL	10uF,20%,16V,GP,TP,4x7,5	2	SA	
AIC1	1002-001294	IC-D/A CONVERTER	PCM1742KE,24BIT,TSSOP,1	1	SA	
AL1	2703-000275	INDUCTOR-SMD	33UH,10%,2012	2	SA	

Loc. No.	Part No.	Description	Specification	Qty.	SNA	Remark
AR108	2007-000097	R-CHIP	47Kohm,5%,1/10W,TP,1608	6	SA	
AR132	2007-001010	R-CHIP	51Kohm,5%,1/10W,TP,1608	1	SA	
AR150	2007-000078	R-CHIP	1Kohm,5%,1/10W,TP,1608	5	SA	
AR161	2007-001167	R-CHIP	75ohm,5%,1/10W,TP,1608	5	SA	
AR30	2007-000074	R-CHIP	100ohm,5%,1/10W,TP,1608	11	SA	
ARR2	2007-000102	R-CHIP	100Kohm,5%,1/10W,TP,1608	1	SA	
C	2401-002042	C-AL	220uF,20%,10V,GP,TP,6.3x11,5	5	SA	
C0104	3809-002301	CABLE-FLAT	30V,80C,100mm,27P,1.25mm,UL28	1	SA	
C125	2203-006361	C-CER,CHIP	1000nF,10%,10V,X5R,TP,2012	10	SC	
C212	2203-000440	C-CER,CHIP	1nF,10%,50V,X7R,TP,1608	4	SA	
C231	2203-005221	C-CER,CHIP	15nF,10%,50V,X7R,1608	4	SA	
C258	2203-000236	C-CER,CHIP	0.1nF,5%,50V,C0G,1608	1	SA	
C608	2401-000118	C-AL	1000uF,20%,10V,GP,TP,10x12.5,5	1	SA	
CAPTON	0203-001814	TAPE-POLY	ANT-2301,T0.065,W16,W12500(25X	0.01	SNA	
CER04	2007-000084	R-CHIP	4.7Kohm,5%,1/10W,TP,1608	9	SA	
CN1	3708-000249	CONNECTOR-FPC/FFC/PIC	27P,1.25mm,STRAIGH	1	SA	
CN1	3708-000491	CONNECTOR-FPC/FFC/PIC	23P,1mm,STRAIGHT,S	1	SA	
CN8	3708-001616	CONNECTOR-FPC/FFC/PIC	9P,1mm,STRAIGHT,SN	1	SA	
DR10	2007-000113	R-CHIP	33ohm,5%,1/10W,TP,1608	12	SA	
FAR22	2007-000082	R-CHIP	3.3Kohm,5%,1/10W,TP,1608	2	SA	
FMR4	2007-000080	R-CHIP	2Kohm,5%,1/10W,TP,1608	2	SA	
IC104	0801-002683	IC-CMOS LOGIC	74HCT245,TRANSCEIVER,TSSOP	1	SA	
IC113	1105-002003	IC-DRAM	W9864G6IH-6,64Mbit,4Mx16bit,TSOP	1	SNA	
IDR23	2007-000116	R-CHIP	120ohm,5%,1/10W,TP,1608	2	SA	
J914	2007-000029	R-CHIP	0ohm,5%,1/8W,TP,2012	1	SA	
JA330	3722-000143	JACK-PHONE	1P(VER),AG,BLK,ANGLE	1	SA	
JA333	3722-002454	JACK-PIN	6P,SN NI,RD/BU/GN/RD/WT/YL,ANGL	1	SA	
JP19	2007-000033	R-CHIP	0ohm,5%,1/4W,TP,3216	1	SA	
KAR21	2007-000070	R-CHIP	0ohm,5%,1/10W,TP,1608	9	SA	
KOP1	1201-000163	IC-OP AMP	4560,SOP,8P,173MIL,DUAL,100V/m	1	SA	
KQ1	0501-000279	TR-SMALL SIGNAL	KSA1182-Y,PNP,150mW,SOT-	2	SA	
L607	2703-001254	INDUCTOR-SMD	1.8uH,10%,2012	4	SA	
MC22R	2203-001596	C-CER,CHIP	2200nF,+80-20%,50V,Y5V,2012	2	SA	
MIC1	1003-001978	IC-MOTOR DRIVER	AM5766,HSOP28H,28P,17.9x	1	SA	
MR1	2007-000805	R-CHIP	36Kohm,5%,1/10W,TP,1608	2	SA	
MR112	2007-000309	R-CHIP	10ohm,5%,1/10W,TP,1608	2	SA	
MR13	2007-000092	R-CHIP	15Kohm,5%,1/10W,TP,1608	4	SA	
MR2	2007-000130	R-CHIP	39Kohm,5%,1/10W,TP,1608	1	SA	
MROP1	2007-000090	R-CHIP	10Kohm,5%,1/10W,TP,1608	2	SA	
MX1	2801-004284	CRYSTAL-SMD	27MHz,10ppm,28-AAN,20pF,30oh	1	SA	
NULL1	0202-001214	SOLDER-WIRE FLUX	HSE04 SR-34 SUPER,-,D1.	0.095	SNA	
PC9	2401-001092	C-AL	330uF,20%,10V,GP,BK,8x11.5,2.5mm	3	SA	
PIC2	1203-002779	IC-POSI.FIXED REG.	G952T63U,SOT-223,3P,6	1	SA	
PPC2	2203-005148	C-CER,CHIP	100nF,10%,16V,X7R,TP,1608	60	SA	
R15	2007-000134	R-CHIP	33Kohm,5%,1/10W,TP,1608	2	SA	
R227	2007-000086	R-CHIP	5.6Kohm,5%,1/10W,TP,1608	2	SA	
R329	2007-000081	R-CHIP	2.7Kohm,5%,1/10W,TP,1608	3	SA	
RC34	2203-000280	C-CER,CHIP	0.01nF,0.5pF,50V,C0G,1608	6	SA	

Loc. No.	Part No.	Description	Specification	Qty.	SNA	Remark
RR17	2007-001146	R-CHIP	7.5ohm,5%,1/8W,TP,2012	2	SA	
RR2	2007-000075	R-CHIP	220ohm,5%,1/10W,TP,1608	2	SA	
S.N.A	0202-001459	SOLDER-CREAM	S3X58-M405,D20~38um,96.5Sn/	0.67	SNA	
SD3	0407-000114	DIODE-SWITCHING	KDS184,80V,100mA,SOT-23,	1	SNA	
UR16	2007-000552	R-CHIP	20ohm,5%,1/10W,TP,1608	2	SA	
USBJK1	3722-001051	JACK-USB	4P/1C,AU,BLK,ANGLE,A TYPE	1	SA	
VC4	2203-000357	C-CER,CHIP	0.15nF,5%,50V,C0G,1608	8	SA	
VQ4	0501-000002	TR-SMALL SIGNAL	KSA812,PNP,150mW,SOT-23,	2	SNA	
VS216	AH39-00291A	LEAD CONNECTOR ASSY	RCA300,1007#26,6P,15	1	SA	
WL02	3301-001069	BEAD-SMD	120ohm,1.6x0.8x0.8mm,200mA,TP,,	4	SNA	
ZC14	2203-000626	C-CER,CHIP	0.022nF,5%,50V,C0G,1608	1	SA	
ZC165	2203-000815	C-CER,CHIP	0.033nF,5%,50V,C0G,1608	1	SA	
ZC35	2203-000681	C-CER,CHIP	0.027nF,5%,50V,C0G,1608	2	SA	
ZC4	2203-000332	C-CER,CHIP	0.012nF,5%,50V,C0G,1608	1	SA	
ZC52	2203-000669	C-CER,CHIP	27nF,10%,25V,X7R,1608	2	SNA	
ZE1	2401-003036	C-AL	100uF,20%,16V,GP,TP,5X11mm,5mm	4	SA	
ZIC1	1204-002954	IC-DECODER	ZR36966PQCG-XF2,TR,128P,20x17	1	SA	
ZIC3	1107-001709	IC-FLASH MEMORY	MX25L1605DM2I-12G,16Mbit	1	SNA	
ZR10	2007-001164	R-CHIP	75ohm,1%,1/10W,TP,1608	1	SA	
ZR24	2007-000109	R-CHIP	1Mohm,5%,1/10W,TP,1608	1	SA	
ZR37	2007-008567	R-CHIP	15.4Kohm,1%,1/10W,TP,1608	1	SA	
ZR45	2007-000329	R-CHIP	11Kohm,5%,1/10W,TP,1608	2	SA	
ZR47	2007-007277	R-CHIP	392ohm,1%,1/10W,TP,1608	1	SA	
ZVL3	3301-001495	BEAD-SMD	120ohm,2012,2500mA,TP,115ohm/10	19	SA	
	0202-001463	SOLDER-WIRE	LFC2-W3.0,-,D3,99.79Sn/0.2Cu	4.408	SNA	
	0204-002420	SOLVENT	1M-1000,C3H7OH,96	2.17	SNA	
	0204-002607	FLUX	DF-234U,13%,14KG,Gravity 0.82	0.826	SNA	
	0403-001441	DIODE-ZENER	MMSZ5239B,5%,500MW,SOD-123,T	8	SA	
	0406-001128	DIODE-TVS	MLVS-0603-E08,50V	2	SA	
	2007-000504	R-CHIP	2.2ohm,5%,1/4W,TP,3216	2	SA	
	AH41-01208B	PCB-MPEG	MM-C330,CEM-3,1,0,T1.6,247*147,	1	SNA	
	AH62-00062J	HEAT SINK-MPEG	AL,T2.0	1	SNA	
	AH97-04755A	ASSY AUTO-MPEG	MM-C330D/EDC,2,AH94-02495	1	SNA	
	AH97-04756A	ASSY SMD-MPEG	MM-C330D/EDC,2,AH94-02495A	1	SNA	
	AH97-04757A	ASSY MANUAL INSERT-MPEG	MPEG PCB ASSY,AH	1	SNA	
	AH97-05311C	ASSY MICOM-NOR-FLASH	330D(NO KOR), MX25L	1	SNA	
M0014	AH94-02497A	ASSY PCB MAIN	MAIN PCB ASSY,MM-C330D/EDC	1	SA	
1SC07	2201-002065	C-CERAMIC,DISC	47pF,10%,1KV,SL,TP,6.3x4,	1	SA	
AAC1	2203-005249	C-CER,CHIP	100nF,10%,50V,X7R,TP,1608	23	SA	
AAC22A	2203-002392	C-CER,CHIP	220nF,+80-20%,50V,Y5V,2012	1	SA	
AAC26A	2203-005218	C-CER,CHIP	470nF,10%,50V,X7R,3216	2	SA	
AAC3	2401-001415	C-AL	470uF,20%,35V,GP,TP,10x20,5	4	SA	
AAC45	2203-000925	C-CER,CHIP	470nF,+80-20%,50V,Y5V,2012	4	SA	
AAIC1	1201-002612	IC-AUDIO AMP	TDA8920BJ,DBS,23P,30.2x12mm	1	SNA	
AAR11	2007-000312	R-CHIP	10ohm,5%,1/4W,TP,3216	4	SA	
AC124	2203-000998	C-CER,CHIP	0.047nF,5%,50V,C0G,1608	2	SA	
AC28	2203-001607	C-CER,CHIP	0.22nF,5%,50V,NP0,1608	9	SA	

Loc. No.	Part No.	Description	Specification	Qty.	SNA	Remark
AC510	3708-000411	CONNECTOR-FPC/FFC/PIC	12P,1.25mm,STRAIGH	1	SA	
AD480	2203-001128	C-CER,CHIP	0.68nF,10%,50V,X7R,TP,2012	2	SA	
AD480	2203-001537	C-CER,CHIP	1nF,10%,50V,X7R,TP,2012	2	SA	
AH020	AH62-00194B	HEAT SINK	MAX-G55,AL,3,35,15,EXP,10	2	SNA	
AH020	AH62-30122F	HEAT SINK	MAX-G55,AL,3,35,24,EXP,14	1	SNA	
AHE10	2401-000414	C-AL	10uF,20%,16V,GP,TP,4x7,5	1	SA	
AHR41	2007-001175	R-CHIP	8.2Kohm,1%,1/10W,TP,1608	1	SA	
AQ7	0504-000128	TR-DIGITAL	FJV3103R,NPN,200mW,22K/22Kohm	4	SA	
AQ8	0504-000156	TR-DIGITAL	KSR2103,PNP,200MW,22K/22K,SOT	2	SA	
AR108	2007-000097	R-CHIP	47Kohm,5%,1/10W,TP,1608	6	SA	
AR150	2007-000078	R-CHIP	1Kohm,5%,1/10W,TP,1608	4	SA	
AR161	2007-001167	R-CHIP	75ohm,5%,1/10W,TP,1608	1	SA	
AR164	2007-000076	R-CHIP	330ohm,5%,1/10W,TP,1608	4	SA	
AR174	2007-000129	R-CHIP	27Kohm,5%,1/10W,TP,1608	4	SA	
AR30	2007-000074	R-CHIP	100ohm,5%,1/10W,TP,1608	1	SA	
AR39	2007-000965	R-CHIP	5.1Kohm,5%,1/10W,TP,1608	1	SA	
ARR2	2007-000102	R-CHIP	100Kohm,5%,1/10W,TP,1608	3	SA	
BD707	3301-000297	BEAD-AXIAL	25ohm,3.6x1.2x5.7mm,-,TP,-,-,	8	SNA	
BRACKE	AH61-02549A	BRACKET-PCB	MM-DA25,SECC 1.0T,T1.0,W20,L	1	SNA	
C	2401-000325	C-AL	100uF,20%,35V,GP,8x11.5mm,3.5mm	4	SA	
C	2401-000832	C-AL	220uF,20%,25V,GP,TP,8x11.5,5	1	SA	
C	2401-000970	C-AL	22uF,20%,50V,WT,TP,5x11,5	1	SA	
C	2401-002300	C-AL	47uF,20%,50V,GP,TP,6.3x11,5mm	1	SA	
C	2401-003010	C-AL	1000uF,20%,6.3V,GP,TP,8x11.5mm	1	SA	
C	2401-000129	C-AL	1000uF,20%,16V,GP,-,10x16mm,5	1	SNA	
C	2401-003030	C-AL	220uF,20%,450V,GP,BK,30x35,10	1	SA	
C	2401-003069	C-AL	470uF,20%,50V,WT,TP,10x20mm,5	1	SA	
C125	2203-006361	C-CER,CHIP	1000nF,10%,10V,X5R,TP,2012	1	SC	
C178	2203-002793	C-CER,CHIP	1000nF,+80-20%,25V,Y5V,2012	2	SA	
C212	2203-000440	C-CER,CHIP	1nF,10%,50V,X7R,TP,1608	5	SA	
C231	2203-005221	C-CER,CHIP	15nF,10%,50V,X7R,1608	4	SA	
C258	2203-000236	C-CER,CHIP	0.1nF,5%,50V,C0G,1608	4	SA	
C263	2203-000972	C-CER,CHIP	47nF,10%,16V,X7R,1608	1	SA	
C338	2203-000609	C-CER,CHIP	22nF,10%,50V,X7R,TP,2012	1	SA	
C3502	2203-001222	C-CER,CHIP	0.82nF,10%,50V,X7R,1608	2	SNA	
C3507	2203-000206	C-CER,CHIP	100nF,10%,50V,X7R,TP,2012	13	SA	
C395	2203-000260	C-CER,CHIP	10nF,10%,50V,X7R,2012	1	SA	
C6	2201-000281	C-CERAMIC,DISC	1NF,+80-20%,50V,Y5V,TP,5X	1	SA	
C608	2401-000118	C-AL	1000uF,20%,10V,GP,TP,10x12.5,5	1	SA	
C659A	2203-001140	C-CER,CHIP	68nF,10%,16V,X7R,1608	3	SA	
C745	2203-005171	C-CER,CHIP	1000nF,10%,16V,X7R,2012	2	SA	
C776	3716-001242	TERMINAL-BLOCK	WIRE TYPE,4P,4.5mm,0V,0A	1	SA	
CER04	2007-000084	R-CHIP	4.7Kohm,5%,1/10W,TP,1608	9	SA	
CIS3	AH40-00159A	TUNER	TAF-7F05,MAX-DG35,FM, RDS,75 ohm,C	1	SA	
CN1	3708-000249	CONNECTOR-FPC/FFC/PIC	27P,1.25mm,STRAIGH	1	SA	
CQ3	0501-002184	TR-SMALL SIGNAL	KTD1304,NPN,200mW,SOT-23	1	SA	
CX2	2301-001511	C-FILM,LEAD-PEF	330NF,10%,275V,BK,16X18X	2	SNA	
CY5	2305-001016	C-FILM,LEAD-PEF	10nF,10%,630V,TP,12.5x6.	2	SNA	
D1	0401-001099	DIODE-SWITCHING	1N4148WS,75V,150mA,SOD-3	4	SA	

Loc. No.	Part No.	Description	Specification	Qty.	SNA	Remark
D1S35	0402-001587	DIODE-RECTIFIER	SFAF504G,200V,5A,ITO-220	2	SA	
D3503	0402-000268	DIODE-RECTIFIER	SB360,60V,3A,DO-201AD,TP	2	SA	
DQ9	0501-000010	TR-SMALL SIGNAL	2SC1008,NPN,800mW,TO-92,	3	SA	
DR01A	0402-000274	DIODE-RECTIFIER	UF4004,400V,1A,DO-41,TP	3	SA	
DR17	2001-000027	R-CARBON	100ohm,5%,1/4W,AA,TP,2.4x6.4mm	2	SA	
EH01	3711-001054	HEADER-BOARD TO CABLE	BOX,6P,1R,2.5mm,ST	1	SA	
E-PASS	AK68-00156W	LABEL	LABEL-E Pass DVD-VCR,SEIN,ART PAPE	1	SNA	
F1P01	3601-001127	FUSE-RADIAL LEAD	250V,3.15A,TIME-LAG,PVC	1	SA	
FAC11	2401-000651	C-AL	2.2uF,20%,50V,GP,TP,4x7,5	1	SA	
FAR22	2007-000082	R-CHIP	3.3Kohm,5%,1/10W,TP,1608	1	SA	
FIC1	1204-002518	IC-VOLUME/TONE CONT.	R2S15904SP,SOP,28P,	1	SA	
FR24	2001-000010	R-CARBON	68Kohm,5%,1/8W,AA,TP,1.8x3.2mm	2	SA	
H/SINK	AH62-00185A	HEAT SINK-MAIN	MM-DA25,AL SHEET T3,T3.0,	1	SNA	
HC5	2401-001975	C-AL	47uF,20%,16V,GP,TP,5x11mm,5mm	2	SNA	
HPL1R	2701-000179	INDUCTOR-AXIAL	33UH,10%,4298	2	SA	
HR10	2007-000962	R-CHIP	5.1Kohm,1%,1/10W,TP,1608	2	SA	
IC_SHI	AH73-00131A	RUBBER-SILICON	MAX-DA55,GAP PAD 1500,30,	1	SNA	
IC1	1203-004788	IC-PWM CONTROLLER	ICE2QS01,DIP,8P,9.52X6	1	SA	
IC112	1103-001410	IC-EEPROM	S-24CS08AFJ-TB-1GE,8Kbit,1Kx8,	1	SNA	
IC1P02	AK62-00009A	HEAT SINK-MAIN	DVD-CM350,AL1050R,T10.5,W	2	SNA	
IC520	0903-001565	IC-MICROCONTROLLER	LC87F5NC8AVU,QFP,100P	1	SNA	
J914	2007-000029	R-CHIP	0ohm,5%,1/8W,TP,2012	1	SA	
JP19	2007-000033	R-CHIP	0ohm,5%,1/4W,TP,3216	5	SA	
JP21	3811-001868	WIRE-NO SHEATH CU	SnCuFe,52mm,GRY	134	SNA	
JP21	3811-001868	WIRE-NO SHEATH CU	SnCuFe,52mm,GRY	1	SNA	
JQ9	0501-000369	TR-SMALL SIGNAL	KSC2331-Y,NPN,1000mW,TO-	1	SA	
KAR11	2007-000124	R-CHIP	2.2Kohm,5%,1/10W,TP,1608	9	SA	
KAR21	2007-000070	R-CHIP	0ohm,5%,1/10W,TP,1608	14	SA	
KAR9	2007-000093	R-CHIP	20Kohm,5%,1/10W,TP,1608	1	SA	
KD2	0401-000005	DIODE-SWITCHING	1N4148,75V,150mA,DO-35,T	17	SA	
KOP1	1201-000163	IC-OP AMP	4560,SOP,8P,173MIL,DUAL,100V/m	2	SA	
KQ6	0501-000341	TR-SMALL SIGNAL	KSC1623-L,NPN,200mW,SOT-	10	SA	
KR22	2001-000666	R-CARBON	33ohm,5%,1/8W,AA,TP,1.8x3.2mm	3	SNA	
KR7	2007-000402	R-CHIP	150ohm,5%,1/10W,TP,1608	1	SA	
LF2_1	AH29-00016B	FILTER LINE	HT-Z320,TR16 4.0mH,0.08,4.0m	1	SA	
LF2_1	AH29-00017A	FILTER LINE NOISE	SWA-4100,WXSQ28-45,2.5	1	SA	
M0081	6003-001375	SCREW-TAPTYPE	BH,+,-,B,M3,L8,ZPC(WHT),SW	7	SA	
M1	0505-001667	FET-SILICON	SPA07N60C3,N,650V,7.3A,0.6oh	1	SA	
MC22R	2203-001596	C-CER,CHIP	2200nF,+80-20%,50V,Y5V,2012	16	SA	
MC4	2203-001652	C-CER,CHIP	470nF,+80-20%,16V,Y5V,1608	1	SA	
ME1	2401-001479	C-AL	470uF,20%,10V,GP,TP,6.3*11mm,5	1	SA	
MR112	2007-000309	R-CHIP	10ohm,5%,1/10W,TP,1608	1	SA	
MR122	2007-000094	R-CHIP	22Kohm,5%,1/10W,TP,1608	4	SA	
MR13	2007-000092	R-CHIP	15Kohm,5%,1/10W,TP,1608	4	SA	
MR166	2007-000119	R-CHIP	560ohm,5%,1/10W,TP,1608	1	SA	
MR19	2007-000087	R-CHIP	6.8Kohm,5%,1/10W,TP,1608	1	SA	
MR2	2007-000130	R-CHIP	39Kohm,5%,1/10W,TP,1608	5	SA	
MROP1	2007-000090	R-CHIP	10Kohm,5%,1/10W,TP,1608	8	SA	

Loc. No.	Part No.	Description	Specification	Qty.	SNA	Remark
NULL1	0202-001214	SOLDER-WIRE FLUX	HSE04 SR-34 SUPER,-,D1.	0.167	SNA	
OC2	0604-000117	PHOTO-COUPLER	TR,130-260%,200mW,DIP-4,ST	1	SA	
PC55	2401-000230	C-AL	100uF,20%,100V,GP,TP,12.5x20mm,5	1	SC	
PC70	2401-001928	C-AL	2200uF,20%,35V,GP,BK,16x31mm,7	2	SNA	
PC9	2401-001092	C-AL	330uF,20%,10V,GP,BK,8x11.5,2.5mm	2	SA	
PCD02	2201-000963	C-CERAMIC,DISC	1NF,20%,400V,Y5U,TP,9.5X6	2	SA	
PCNS2	3711-000203	HEADER-BOARD TO CABLE	1WALL,2P/3P,1R,7.9	1	SA	
PD13	1203-000187	IC-POSI.ADJUST REG.	431,TO-92,3P,-,PLAST	1	SA	
PDS11	0402-000012	DIODE-RECTIFIER	UF4007,1000V,1A,DO-41,TP	4	SA	
PIC2	1203-005188	IC-DC/DC CONVERTER	AOZ1021AIL,SOP,8P,4.9	1	SA	
PL1	AH27-10001F	COIL-CHOKE	K,Q30,0.65,DR(6.5*7.5),2.5MHZ	1	SA	
PPC2	2203-005148	C-CER,CHIP	100nF,10%,16V,X7R,TP,1608	5	SA	
PQ44	0501-002409	TR-SMALL SIGNAL	KTC945B,NPN,625mW,T0-92,	1	SA	
PR15	2001-001107	R-CARBON(S)	220ohm,5%,1/2W,AA,TP,2.4x6.4	1	SA	
PRF01	2002-000121	R-COMPOSITION	1Mohm,10%,1/2W,AA,TP,3.5x9	1	SA	
PRS13	2003-000994	R-METAL OXIDE(S)	33Kohm,5%,2W,AF,TP,3.9x	2	SA	
PSCZ2	2201-000129	C-CERAMIC,DISC	0.1nF,10%,1000V,Y5P,-,7x4	1	SA	
Q409	0505-001170	FET-SILICON	FDS9933A,P,-20V,3.8A,0.075oh	1	SA	
Q806	0504-000152	TR-DIGITAL	KSR2101,PNP,200mW,4.7K/4.7Koh	5	SA	
R109	2007-000293	R-CHIP	100ohm,5%,1/4W,TP,3216	1	SA	
R12	2001-000019	R-CARBON(S)	10ohm,5%,1/2W,AA,TP,2.4x6.4mm	2	SA	
R15	2007-000134	R-CHIP	33Kohm,5%,1/10W,TP,1608	3	SA	
R15	2003-002440	R-METAL OXIDE(S)	0.15ohm,5%,2W,AF,TP,4x1	1	SA	
R1P10B	2001-000290	R-CARBON	10Kohm,5%,1/8W,AA,TP,1.8x3.2mm	4	SA	
R1P110	2001-000449	R-CARBON	2.2Kohm,5%,1/8W,AA,TP,1.8x3.2mm	2	SA	
R1P112	2001-000302	R-CARBON	10ohm,5%,1/8W,AA,TP,1.8x3.2mm	1	SA	
R1P123	2001-000062	R-CARBON	470ohm,5%,1/4W,AA,TP,2.4x6.4mm	3	SA	
R1P14	2001-000009	R-CARBON	20Kohm,5%,1/8W,AA,TP,1.8x3.2mm	1	SA	
R227	2007-000086	R-CHIP	5.6Kohm,5%,1/10W,TP,1608	6	SA	
R299	2007-000772	R-CHIP	33Kohm,1%,1/10W,TP,1608	1	SA	
R3	2001-000065	R-CARBON	10Kohm,5%,1/4W,AA,TP,2.4x6.4mm	1	SA	
R320	2007-000458	R-CHIP	18Kohm,5%,1/10W,TP,1608	2	SA	
R331	2007-000079	R-CHIP	1.8Kohm,5%,1/10W,TP,1608	1	SA	
R3A08	2007-000091	R-CHIP	12Kohm,5%,1/10W,TP,1608	2	SA	
R4N03	2001-000281	R-CARBON	100ohm,5%,1/8W,AA,TP,1.8x3.2mm	19	SA	
R4N04	2001-000563	R-CARBON	27Kohm,5%,1/8W,AA,TP,1.8x3.2mm	3	SA	
R660	2001-000786	R-CARBON	47Kohm,5%,1/8W,AA,TP,1.8x3.2mm	1	SA	
R671	2001-000734	R-CARBON	4.7Kohm,5%,1/8W,AA,TP,1.8x3.2mm	2	SA	
RC34	2203-000280	C-CER,CHIP	0.01nF,0.5pF,50V,C0G,1608	3	SA	
RR2	2007-000075	R-CHIP	220ohm,5%,1/10W,TP,1608	1	SA	
SBD5	0402-001258	DIODE-BRIDGE	GBU606,600V,6A,SIP-4,BK	1	SA	
SCC20	2202-000173	C-CERAMIC,MLC-AXIAL	1nF,10%,50V,Y5P,TP,2	1	SA	
SCR3	2001-000429	R-CARBON	1Kohm,5%,1/8W,AA,TP,1.8x3.2mm	9	SA	
T0010	AH27-00055A	COIL CHOKE	DBF-1310A,HT-DS600,10uH,28.48	1	SA	
T0900	1404-001195	THERMISTOR-NTC	5.1ohm,3.84A,3000K,21mW/C	1	SA	
T702	3722-001373	JACK-SCART	21P,SN,BLACK	1	SNA	
UC9	2401-000759	C-AL	220nF,20%,50V,GP,TP,5x11mm,5mm	1	SA	
UR14	2001-001178	R-CARBON(S)	680ohm,5%,1/2W,AA,TP,2.4x6.4	1	SA	

Loc. No.	Part No.	Description	Specification	Qty.	SNA	Remark
UR28	2007-001026	R-CHIP	560Kohm,5%,1/10W,TP,1608	1	SA	
UR53	2007-000305	R-CHIP	10Mohm,5%,1/10W,TP,1608	1	SA	
URR19	2001-000411	R-CARBON	18Kohm,5%,1/8W,AA,TP,1.8x3.2mm	3	SA	
URR8	2001-000802	R-CARBON	5.6Kohm,5%,1/8W,AA,TP,1.8x3.2mm	3	SA	
UX2	2802-001174	RESONATOR-CERAMIC	10MHZ,0.5%,BK,8X3.5X3M	1	SA	
WC31	2305-000407	C-FILM,LEAD-PEF	470nF,5%,100V,TP,10.5x6x	3	SA	
WL06	AH27-00062A	COIL FILTER	HXD77,22.8uH,55mOHM,19.5,13.	2	SA	
X-TAL1	2801-001394	CRYSTAL-UNIT	32.768KHz,20ppm,28-AAAY,12.5	1	SA	
ZC14	2203-000626	C-CER,CHIP	0.022nF,5%,50V,C0G,1608	2	SA	
ZD1SF1	0403-001318	DIODE-ZENER	MTZJ4.3B,4.17-4.43V,500mW,DO	2	SA	
ZE1	2401-003036	C-AL	100uF,20%,16V,GP,TP,5X11mm,5mm	7	SA	
ZE6	2401-000804	C-AL	220uF,20%,16V,GP,TP,8x9mm,5	1	SA	
ZPR3	2007-000106	R-CHIP	220Kohm,5%,1/10W,TP,1608	2	SA	
ZR24	2007-000109	R-CHIP	1Mohm,5%,1/10W,TP,1608	2	SA	
ZVD1	0403-000355	DIODE-ZENER	UZ5.1BSB,5-5.2V,500MW,DO-35,	3	SA	
ZVL3	3301-001495	BEAD-SMD	120ohm,2012,2500mA,TP,115ohm/10	7	SA	
ZVR7	2003-000587	R-METAL OXIDE(S)	22ohm,5%,1W,AA,TP,3.3x9	2	SA	
ZVR8	2007-000824	R-CHIP	390ohm,5%,1/4W,TP,3216	1	SA	
	0201-001082	ADHESIVE-TS	1603HFR-HS,YEL,1800 - 2200CP	0.3	SNA	
	0201-001791	ADHESIVE-TS	EH-260D,RED,400?0PS,20cc	0.142	SNA	
	0202-001463	SOLDER-WIRE	LFC2-W3.0,-,D3,99.79Sn/0.2Cu	20.342	SNA	
	0204-002420	SOLVENT	1M-1000,C3H70H,96	7.84	SNA	
	0204-002607	FLUX	DF-234U,13%,14KG,Gravity 0.82	2.805	SNA	
	0205-001154	OIL-SILICON	G746	0.03	SNA	
	0403-000149	DIODE-ZENER	1N4742A,5%,1000MW,DO-41,TP	1	SA	
	0403-000537	DIODE-ZENER	1N4749A,5%,1000mW,DO-41,TP	1	SA	
	0403-001062	DIODE-ZENER	UDZSNP4.7B,4.55/4.75V,200mW,	1	SA	
	0403-001170	DIODE-ZENER	MTZJ9.1C,8.89-9.29V,500mW,DO	1	SA	
	1203-004520	IC-DC/DC CONVERTER	AP1501,TO-220(R),5P,1	2	SNA	
	1405-000152	VARISTOR	560V,2500A,14x8.5mm,TP	1	SA	
	2001-000052	R-CARBON(S)	3.3Kohm,5%,1/2W,AA,TP,2.4x6.	1	SA	
	2001-000502	R-CARBON	20ohm,5%,1/4W,AA,TP,2.4x6.4mm	2	SNA	
	2001-001088	R-CARBON(S)	1Kohm,5%,1/2W,AA,TP,2.4x6.4m	5	SA	
	2201-000551	C-CERAMIC,DISC	0.47NF,10%,1KV,Y5P,TP,6.3	1	SA	
	2201-002070	C-CERAMIC,DISC	1.5NF,20%,400V,Y5U,TP,11X	1	SNA	
	2301-001220	C-FILM,LEAD-PPF	100nF,10%,275V,BK,18x6x1	1	SA	
	2305-000237	C-FILM,LEAD-PEF	1uF,5%,63V,TP,7.5x15.5mm	1	SA	
	AH26-00363A	TRANS SWITCHING	EER-3541,MAX-DG25,120/23	1	SA	
	AH27-00082A	COIL FILTER-TOROID	C630,15uH,5.5Mohm,12*	2	SA	
	AH27-00083A	COIL FILTER-COLUMN	MM-C330,32UH,55mOHM,1	2	SNA	
	AH27-00084A	COIL FILTER-COLUMN	MM-C330,100UH,100mOHM	2	SNA	
	AH41-01214B	PCB MAIN-MAIN	MM-C330,KH,1,0,T1.6,247*24	1	SNA	
	AH63-01947A	ABSORBER EVAP-EVA SHEET	MM-DG25,CUSHION,	1	SNA	
	AH97-04761A	ASSY AUTO-MAIN	MAIN PCB ASSY,MM-C330D/ED	1	SNA	
	AH97-04762A	ASSY SMD-MAIN	MAIN PCB ASSY,MM-C330D/EDC	1	SNA	
	AH97-04763A	ASSY MANUAL INSERT-MAIN	AH94-02497A	1	SNA	
	AH97-05314A	ASSY MICOM-MICOM (LC87F5NC8AVU)HMC-C330		1	SNA	

Loc. No.	Part No.	Description	Specification	Qty.	SNA	Remark
D001A	AK97-02255C	ASSY DECK-DVD	DP-24A,S78RFL-DL5FL,FFC 23	1	SA	
BTR01	6602-001076	BELT-RECTANGULAR	CR,T1.2,4.3%,1.2X25.1,B	1	SNA	
C353	AK97-02034C	ASSY HOUSING	DP-24A,9P,RIGHT-SIDE,-	1	SNA	
DH02A	AK97-02033A	ASSY HOLDER-CHUCK	-,DP-21,-,-	1	SNA	
DM01A	AK97-02036A	ASSY MOTOR	DP-21,-,-,-	1	SA	
DP01A	AK97-02035C	ASSY PCB DECK-DP-24A	9P,DP-24A,RIGHT-SID	1	SNA	
DSW1	3409-001201	SWITCH-LEVER	5V,1mA,2,72deg	1	SNA	
FL07	AK41-00706E	FFC-DECK	DP-24A,PITCH1.0,PET,9P,180(L)X1	1	SNA	
FL627	3809-001839	FFC CABLE-FLAT	30V,80C,217mm,23P,1.0mm,U	1	SA	
H102	AK61-00778A	BODY-CLAMPER DISC	DP-21,POM,1.0,4.5(H),3	1	SNA	
H103	AK66-00095A	GEAR-PULLY	DP-21,POM,0.4,14,19.2(OD)x3.3	1	SNA	
H106	AK66-00094A	GEAR-TRAY	DP-21,POM,0.4(A)/0.8(B),80(A)/	1	SNA	
H108	AK63-00478A	TRAY-DISC	DP-21,ABS,T6.0,124.4,186.0,BLK	1	SA	
H211	AK97-02037C	ASSY PICK UP-DECK	CMS-S78RFL	1	SNA	
H211	AK97-02231A	ASSY PICK UP	SOH-DL5FL,-,PICK-UP,-	1	SNA	
H212	AK61-00777A	HOLDER-CHUCK	DP-21,ABS,1.6,137.0,87.8,BL	1	SNA	
H213	AK61-00779A	SPRING ETC-CLAMPER	DP-21,SUS304CSP,42.0,	1	SNA	
H401	AK61-00780A	FRAME-MAIN	DP-21,ABS,BLK,34.0,150.0,188.	1	SNA	
S.N.A	AK31-00037A	MOTOR DC-LOADING	JQ24-35H440L,DP-21,86mA	1	SNA	
S.N.A	AK66-00096A	PULLEY MOTOR	DP-21,POM,GRY,1.9,7.0,3.2(H)	1	SNA	
S.N.A	0205-001033	GREASE	PL-30G,W050030019	0.5	SNA	
T037	AK66-00093A	SLIDER-CAM	DP-21,POM,1.8,87.0,20.6,WHT	1	SNA	
W274	6001-001730	SCREW-MACHINE	BH,+,M1.7,L2.5,ZPC(WHT),SW	2	SA	
W396	6003-001620	SCREW-TAPTYPE	CH,+,B,M1.4,L5,NI PLT,SWRC	1	SNA	
	AK41-00693B	PCB-DECK	DP-26,PHENOL,1,T1.6,T1.6*163*16	1	SNA	
	AK81-00015A	MOTOR-SPINDLE DVDP	JQ24-35I350,3V,AJ84-	1	SNA	
	AK81-00016A	MOTOR-FEED DVDP	JQ24-35H440,2V,3101-0013	1	SNA	
	AK90-00008A	ASSY SUB MATERIAL-TRAVERSE DECK		DP-24	1	
SNA						
	AH92-03361C	ASSY P/MATERIAL	MM-C330D,XEF	1	SNA	
S.N.A	0203-001100	TAPE-OPP MASKING	OPP/W75/CLR,T0.075,W75,	1.5	SNA	
	AH69-02937A	CUSHION-LEFT	mm-c330,20,45,375,232	1	SNA	
	AH69-02938A	CUSHION-RIGHT	mm-c330,20,68,375,232	1	SNA	
SP05A	AH96-00518B	ASSY SPEAKER P-SYSTEM	PS-C330D,XEF BUYER	1	SA	
NITRON	6902-000039	BAG SHEET	HDPE/NITRON,T0.5,W630,L680,WHT	1	SNA	
ACCE1	AH92-03364X	ASSY ACCESSORY	MM-C330D,EDC	1	SNA	
A001	AH59-02146L	REMOCON-ASSY	MM-DG25-EUR,SAMSUNG,237*48,	1	SA	
	AH96-00482G	ASSY ACCESSORY-MANUAL	MM-C330D (EDC)	1	SNA	
T0120	4301-000115	BATTERY-MN	1.5V,750mAh,R03,10.5x44.5mm,-	2	SNA	
C-COAX	AH39-00320C	CBF COAXIAL CABLE	MAX-L68,110REC,1007#26	1	SC	
C-AUDI	AH39-40001V	CABLE-AUDIO CABLE	-,-,1P-1P,3000mm,-,-,-	1	SA	
	AH96-00538E	ASSY MANUAL P	MM-C330D/EDC,IB,CARD,PE-BA	1	SNA	
	6801-001763	CARD-REGISTRATION	Europe Registration,XE	1	SNA	
PE I/B	6902-000385	BAG PE	LDPE,T0.03,W250,L350,TRP,8,1PE MA	1	SNA	
	AH68-02271F	MANUAL USERS	MM-C330D,EDC,ENG/FRA/GER/IT	1	SNA	
	AH68-02271G	MANUAL USERS	MM-C330D,EDC,POL/HUN/SK/CZ/	1	SNA	

Loc. No.	Part No.	Description	Specification	Qty.	SNA	Remark
	AH68-02271H	MANUAL USERS	MM-C330D,EDC,GRE/RUM/BUL/SE	1	SNA	
	AH91-00107D	ASSY SHIELD	MM-C330D(XEF)	1	SNA	
M0081	6003-001375	SCREW-TAPTYPE	BH,+,-,B,M3,L8,ZPC(WHT),SW	9	SA	
T0268	AC39-10019A	CBF-POWER CORD	AT,CP2,HOUING(2P),250V,2.	1	SA	
AD502	AH64-05323B	DOOR-DVD	MM-C330,ABS,1,15,15,147,BLACK	1	SA	
TAPE	0203-001509	TAPE-FILAMENT	T0.15,W50,L55M,TRP	0.1	SNA	
W392	6003-000282	SCREW-TAPTYPE	BH,+,-,B,M3,L8,ZPC(BLK),SW	11	SA	

MEMO