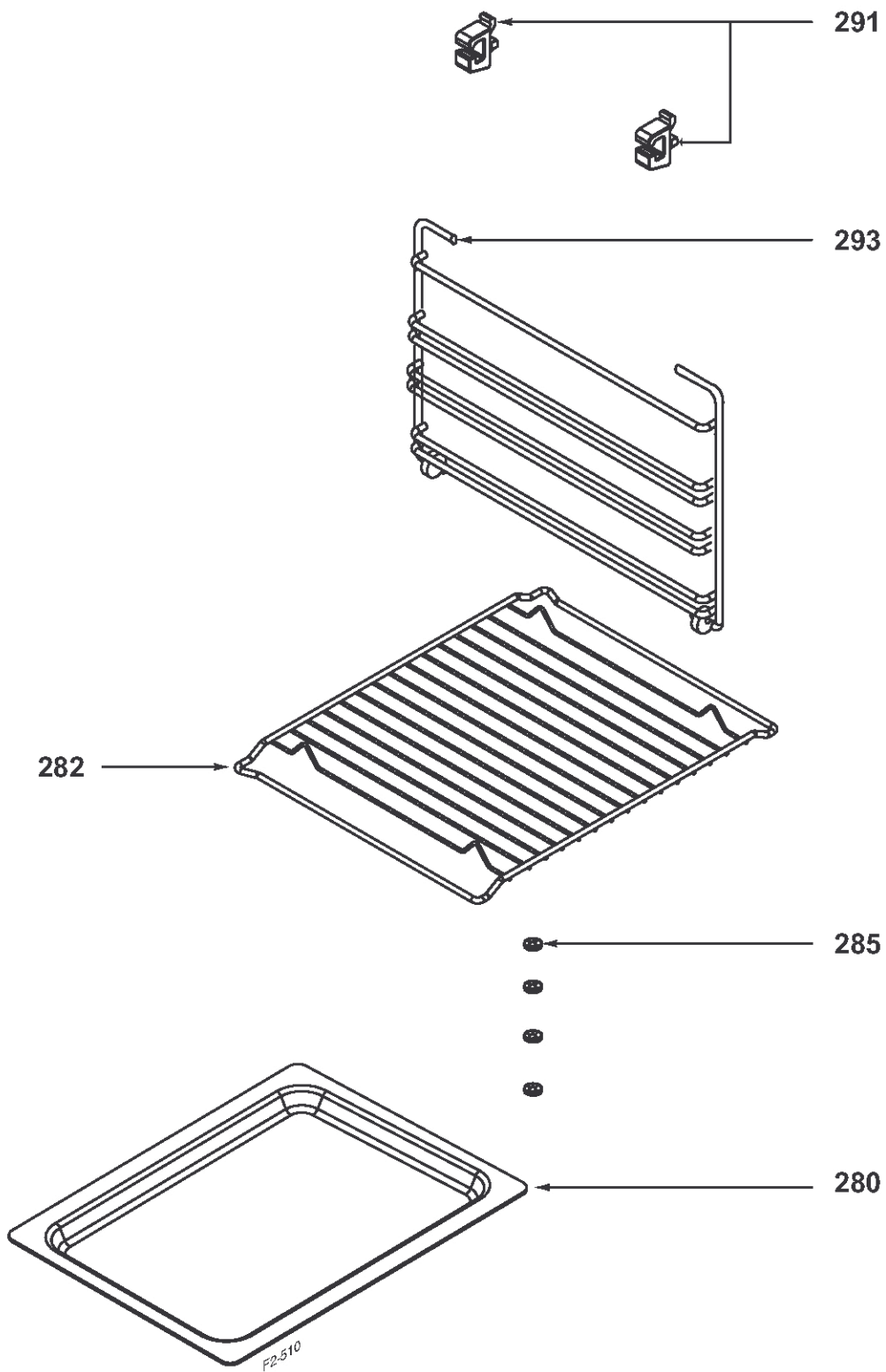
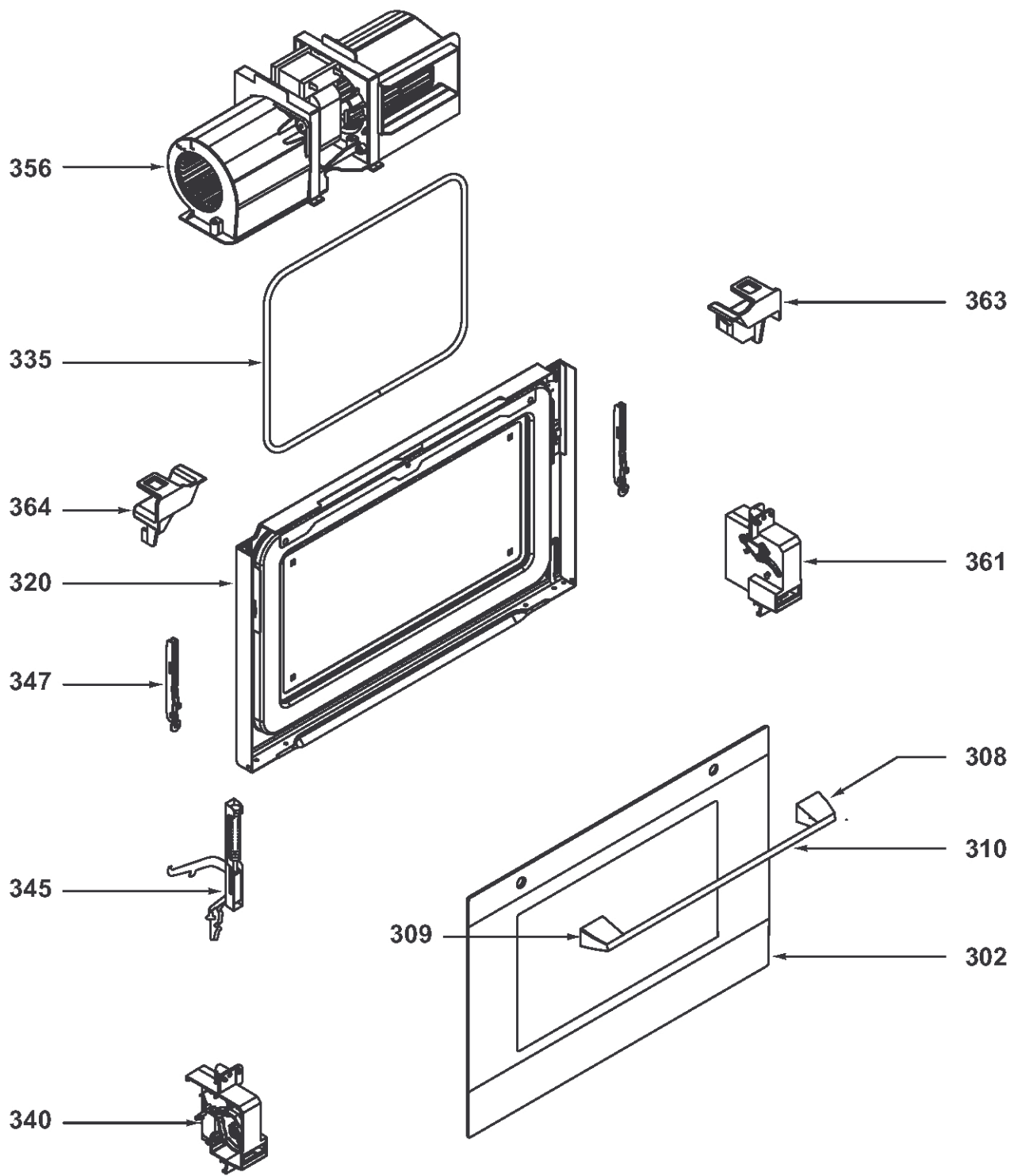
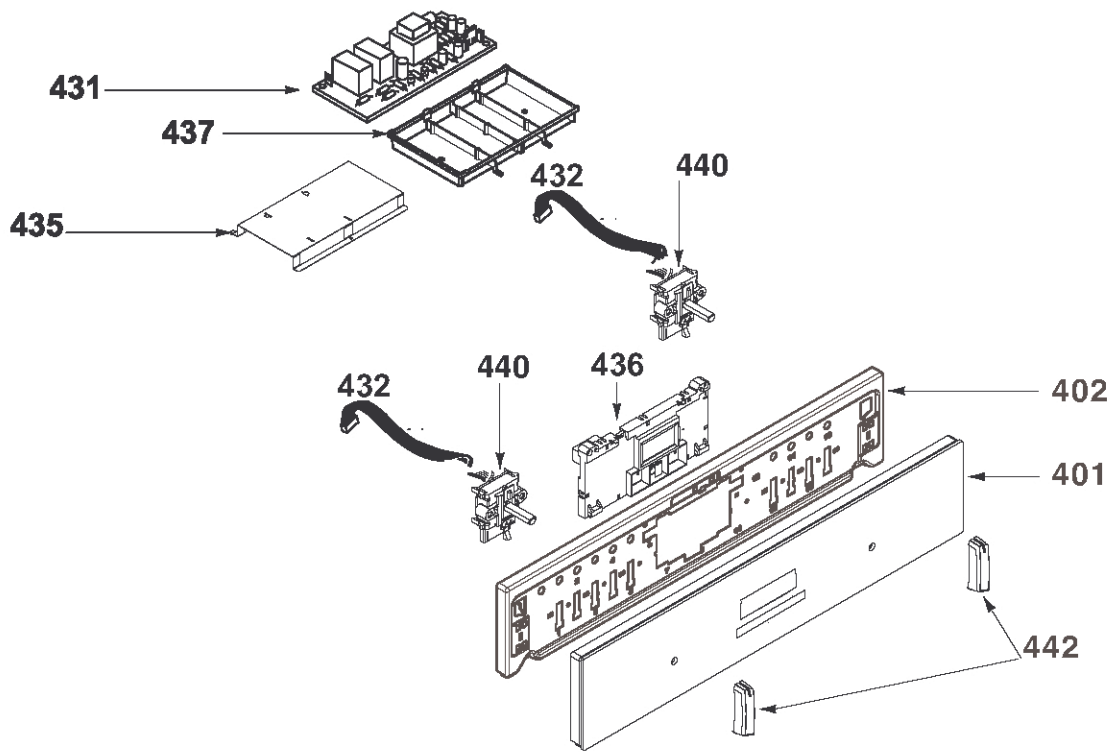


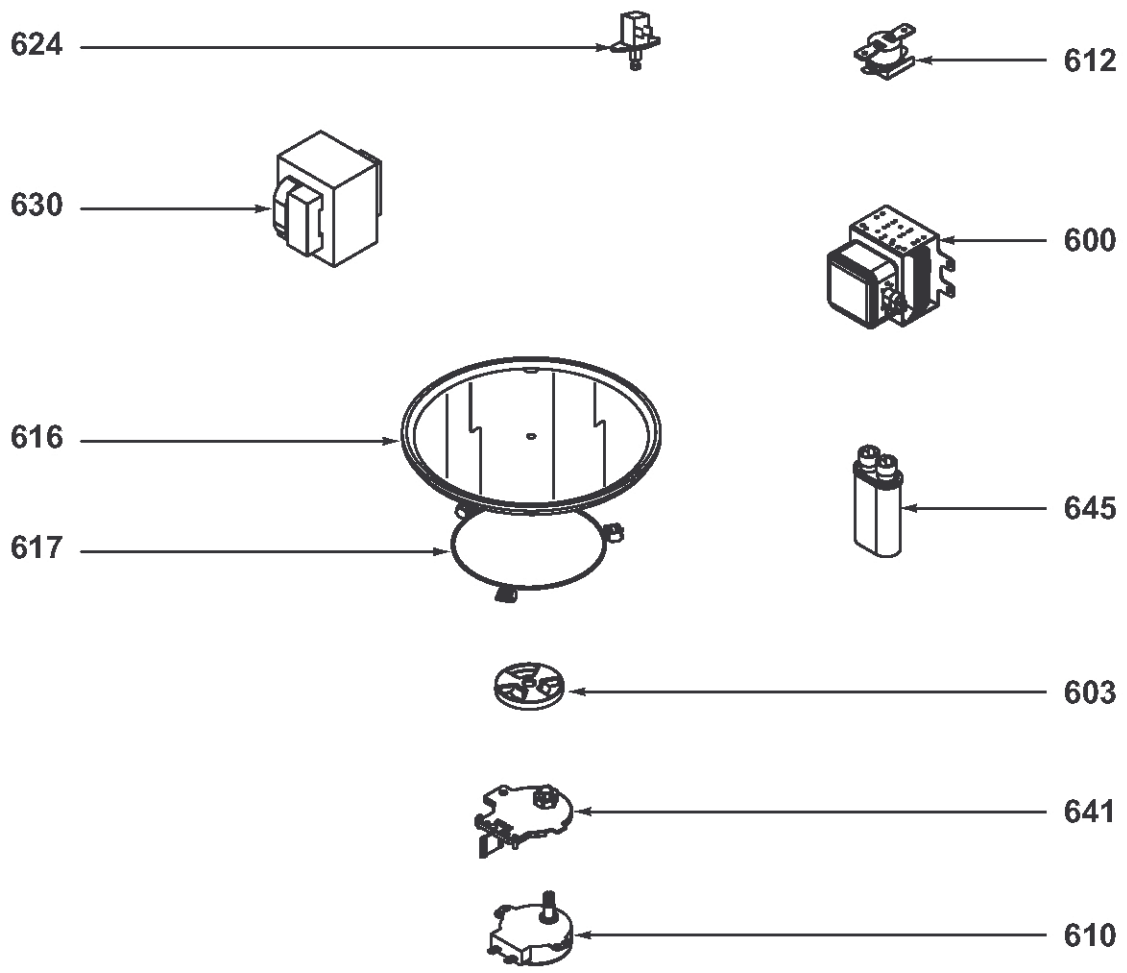
F1-495



F2-510







F6-619

Pos.	Reference	Description
0	71X0475	SPRING --
0	72X9907	CARD SUPPORT --
0	74X9733	FILTER ANTI-PARASITE--
0	AS0016519	PROTECTOR --
0	AS0000543	FUSE --
110	71X0493	PANEL COVERING RIGHT--
112	72X9901	LEFT SIDE CASING --
115	71X1172	COVER REAR/BEHIND--
116	71X0405	COVER TOP/UPPER--
123	AS6005264	LOWER PANEL--
138	72X0969	PROFILE RIGHT--
140	71X0400	PROFILE LEFT--
150	AS6005263	CAVITY --
280	72X3562	DISH --TARTAS
282	71X0409	GRID --
285	75X1361	CLIP --
291	72X7543	HOLDER ROASTER--
293	71X0410	SHELF SUPPORT --
302	AS6005972	DOOR ASSEMBLED--
308	AS6005970	MOUNTING BASE --
309	AS6005971	MOUNTING BASE --
310	AS6005969	HANDLE --BAR ALU
320	71X0419	INNER DOOR --
335	71X0468	SEAL SEPARATOR--
340	72X0818	LOCK --GAUCHE
345	71X0460	HINGE --
347	74X2341	CLAMP --
355	74X0128	THERMOSTAT --TH 145°
356	71X0417	MOTOR TURBINE--
361	72X0817	LOCK --DROITE
363	71X0488	CATCH LOCKING--/ PENE DROIT
364	71X0489	CATCH LOCKING--/ PENE GAUCHE
401	AS6005955	STRIP --
402	AS6004202	HOLDER--
403	AS0001682	CONNECTOR --
431	AS6004475	ELECTRONIC CIRCUIT --
432	AS6004329	CABLE --PLAT 350ML
436	AS6005638	CARD DISPLAY--
437	AS0003013	HOLDER CIRCUIT--
440	70X1609	SWITCH --12 POSITIONS
442	AS6004191	CONTROL KNOB --
560	71X0479	RESISTOR GRILL--
562	74X8128	PROBE TEMPERATURE--
565	77X9557	CUP BEARING
567	71X0481	HOLDER ROASTER--
585	76X7882	LAMP --
592	76X5601	GROMMET --
593	AS6005269	CABLE SECTOR--
594	74X9733	FILTER ANTI-PARASITE--
600	71X0464	MAGNETRON --
603	71X0491	DRIVE --
610	76X7877	MOTOR PLATE--
612	71X0465	THERMOSTAT SAFETY--90°C
616	71X0492	TRAY ROTATING--
617	71X0490	HOOP
624	71X0495	JACK --
630	71X1176	TRANSFORMER --
641	71X1177	MOTOR COVER --
645	72X2937	CAPACITOR --2100V