



Website <http://biz.lgservice.com>

# MICROWAVE OVEN **SERVICE MANUAL**

**MODEL: MC-8087CLR**

**CAUTION**

BEFORE SERVICING THE UNIT, READ THE SAFETY PRECAUTIONS IN THIS MANUAL.

P/NO : 3828W5S3981

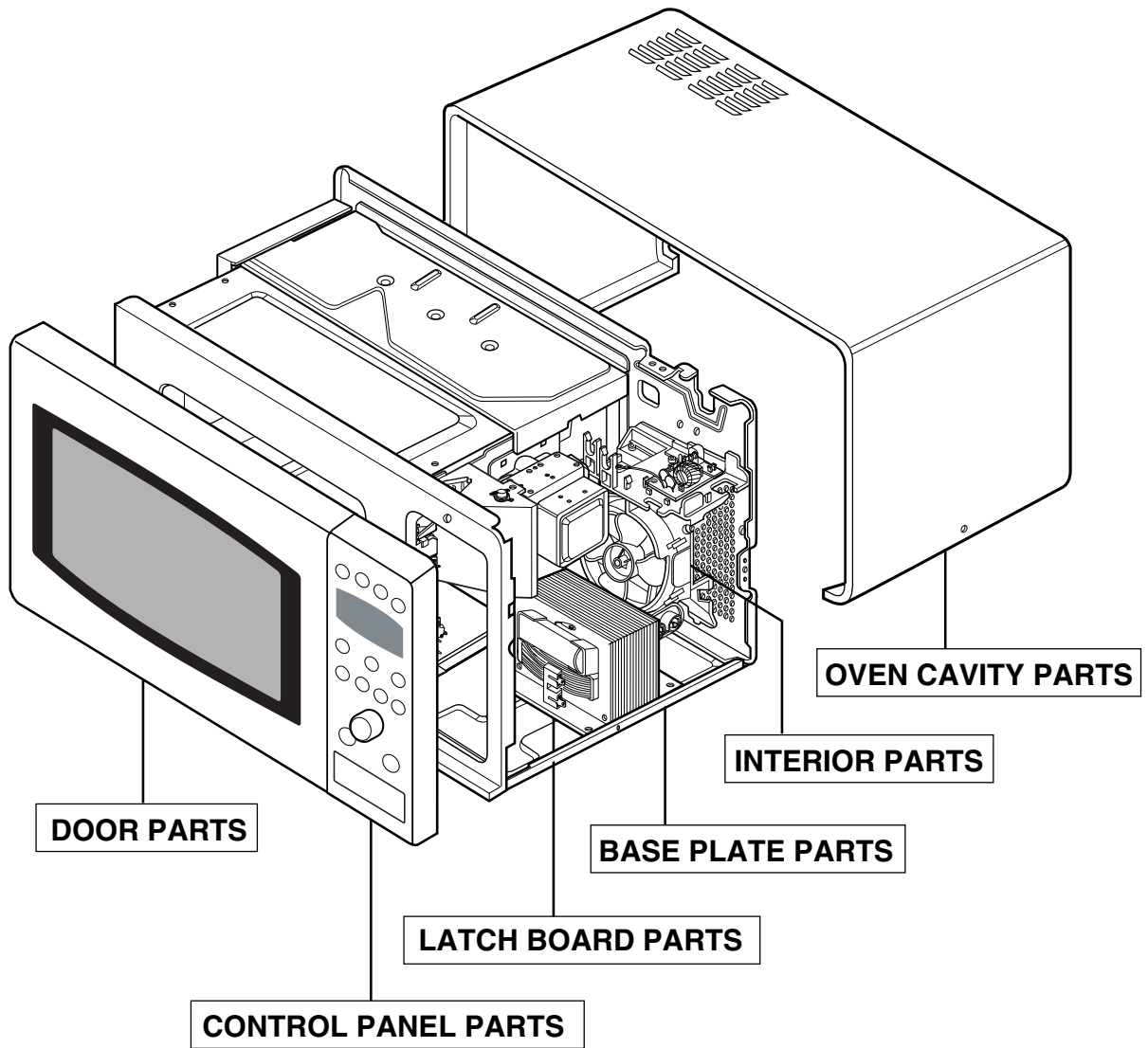
Rev. 2 : January, 2005

Rev. 1 : September, 2004

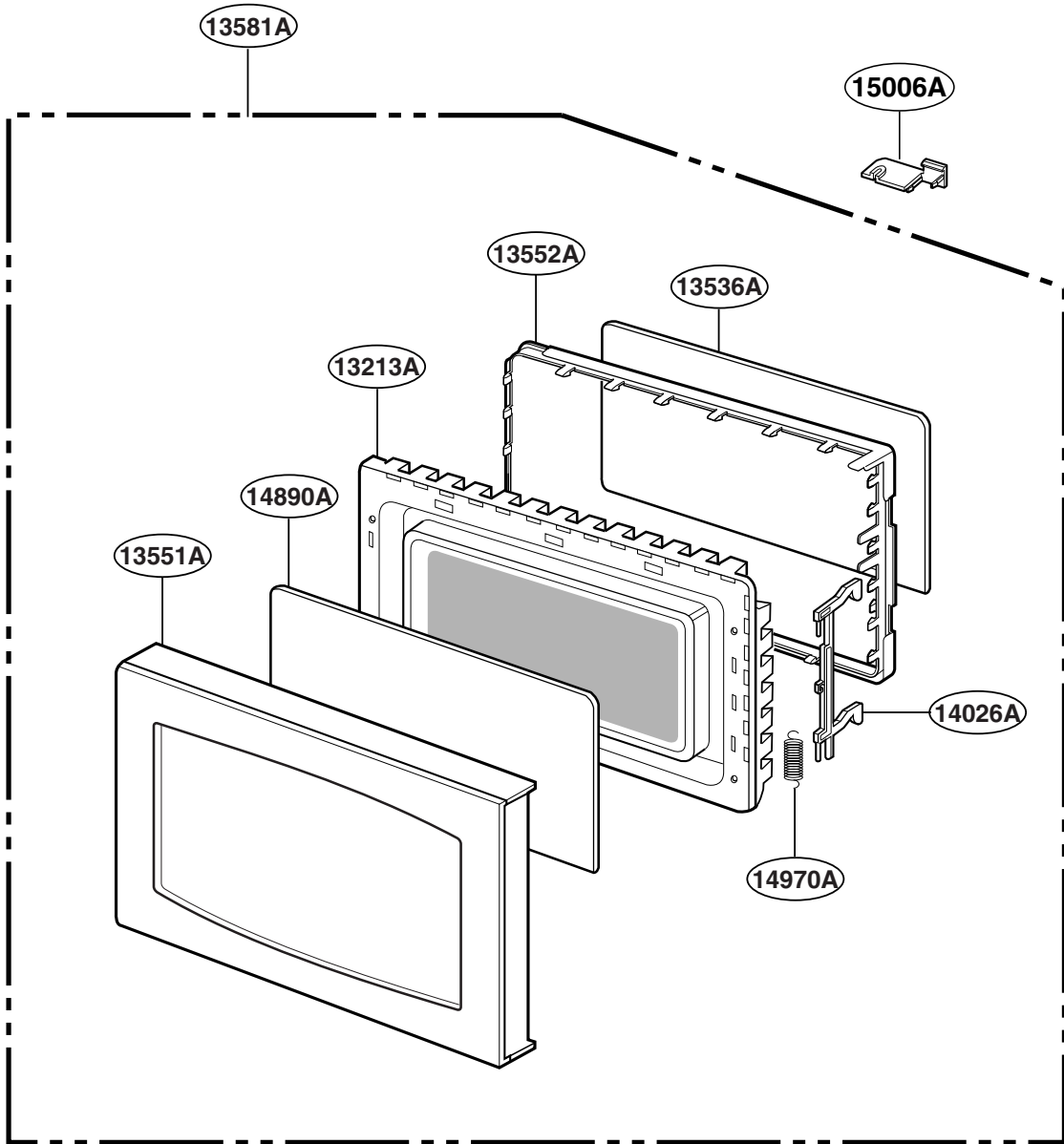
Printed in Korea

# EXPLODED VIEW

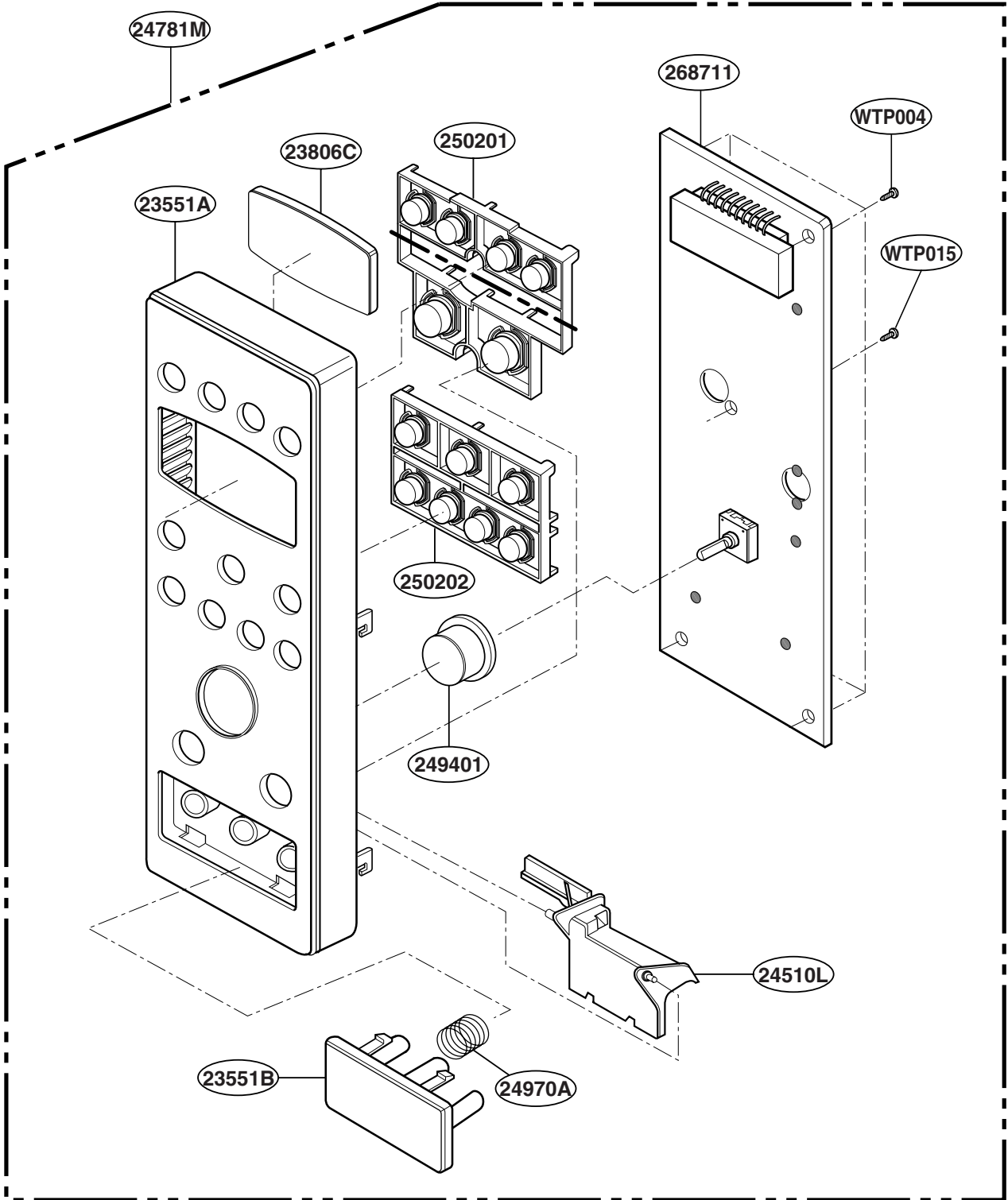
## INTRODUCTION



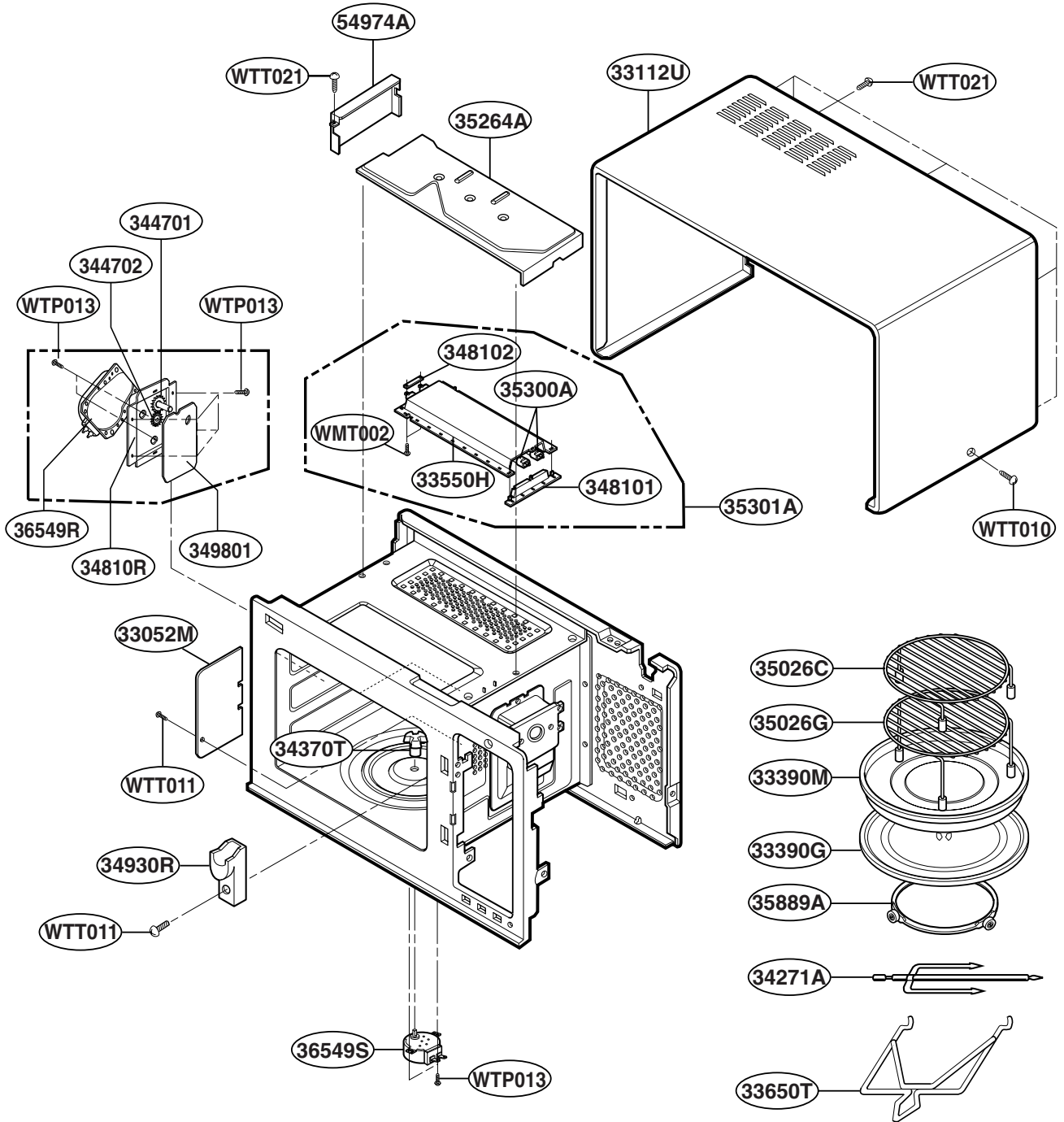
# DOOR PARTS



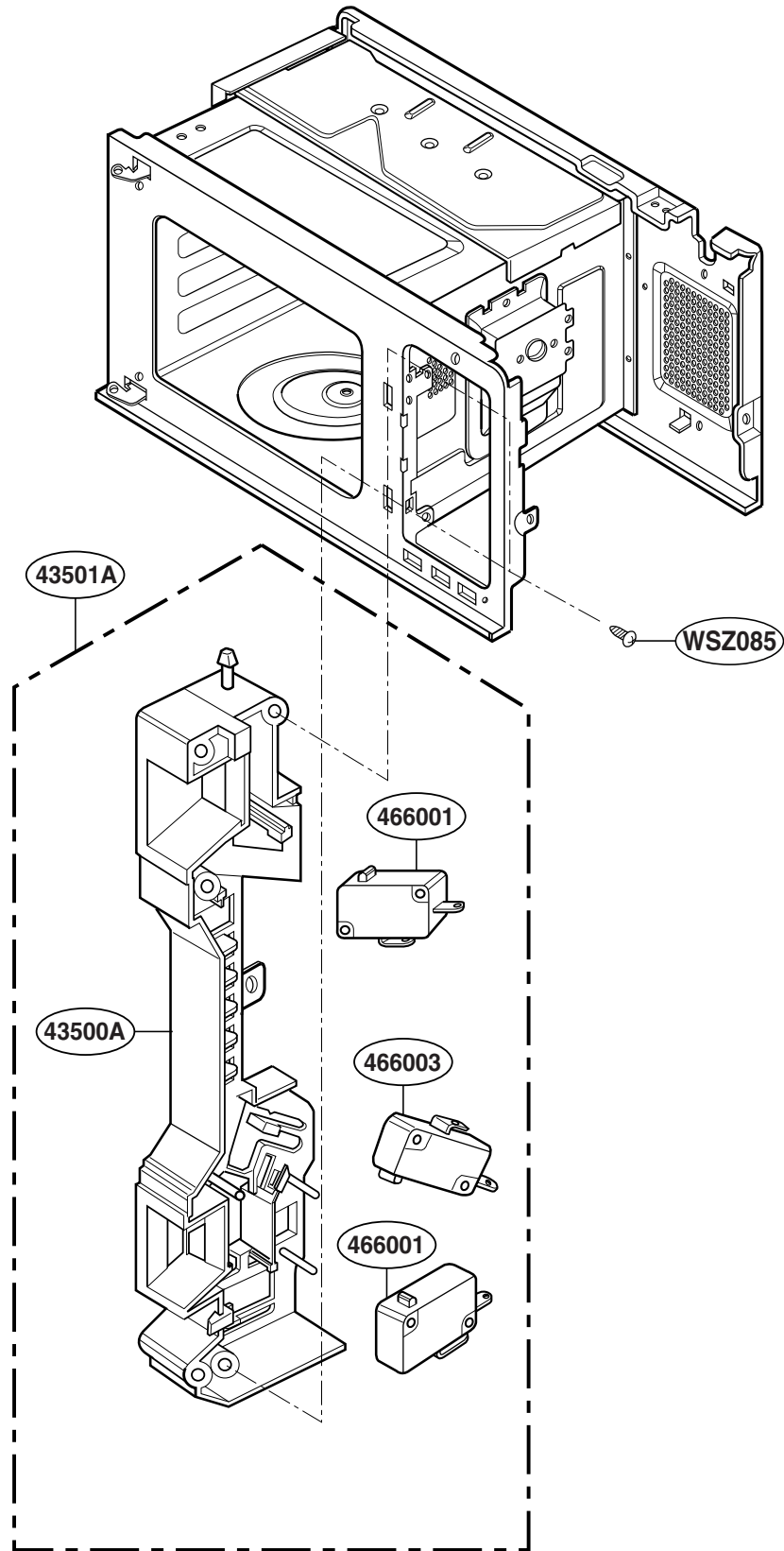
# CONTROL PANEL PARTS



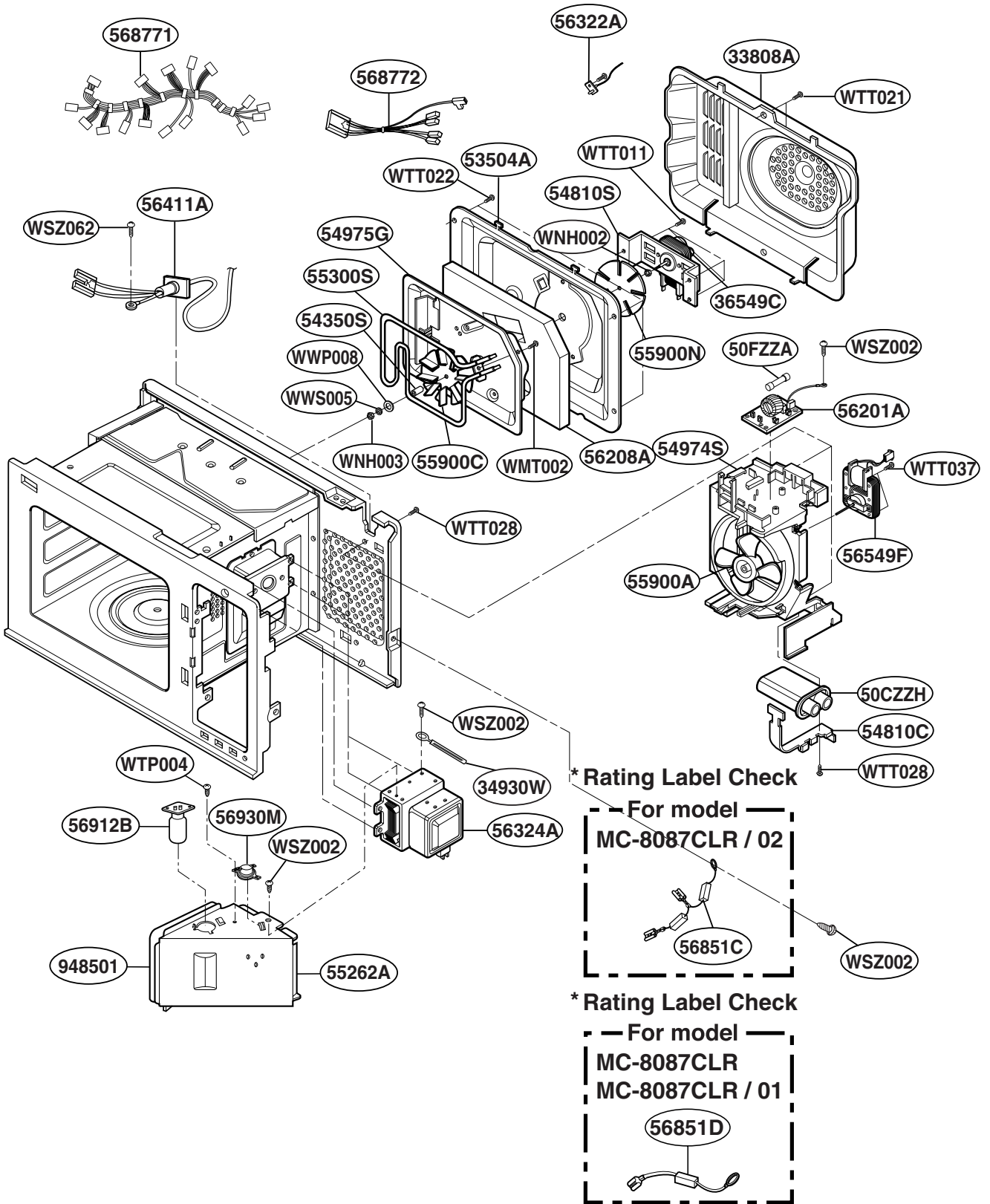
# OVEN CAVITY PARTS



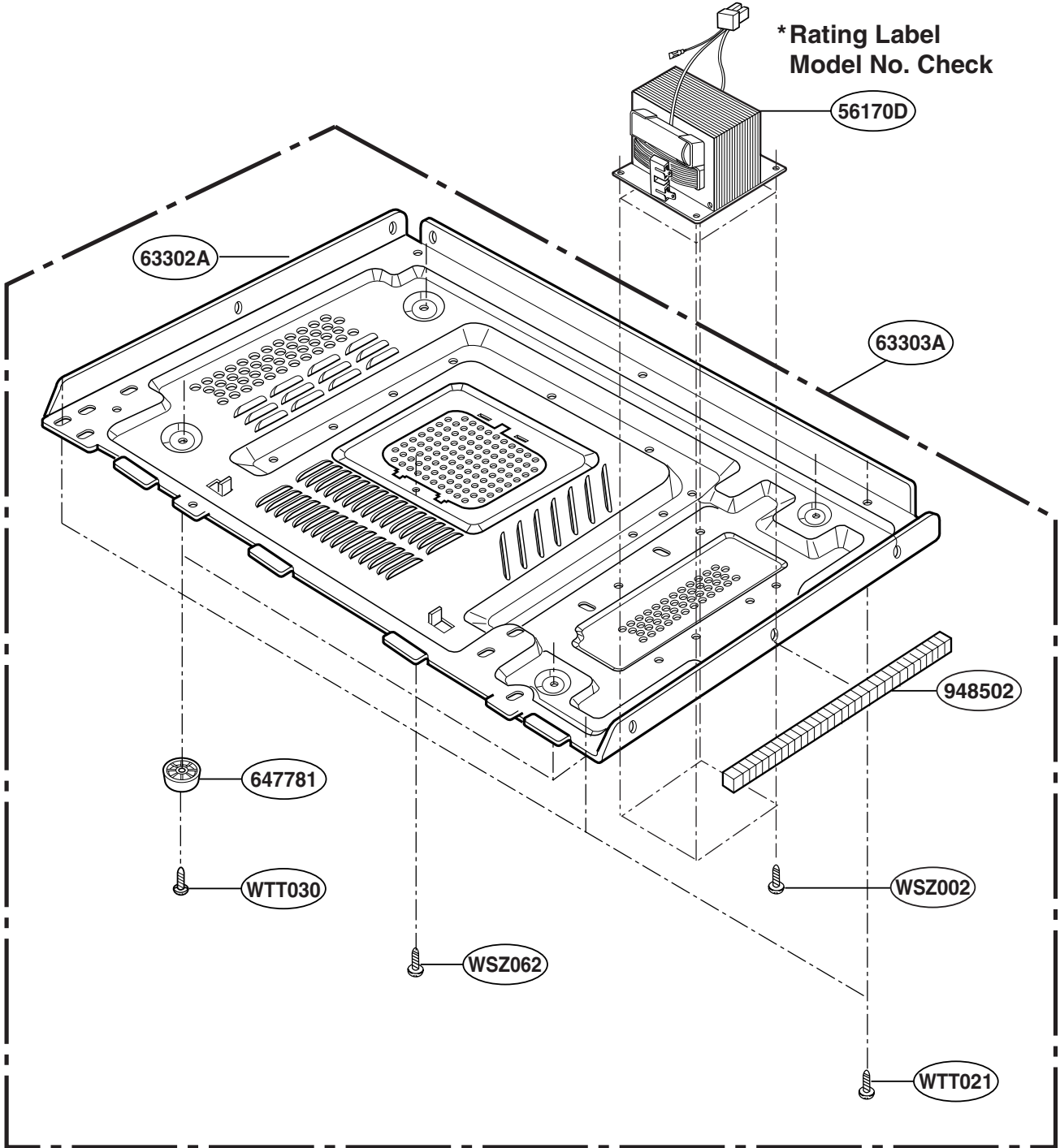
# LATCH BOARD PARTS



# INTERIOR PARTS



# BASE PLATE PARTS







REPERE	REFERENCE	DESIGNATION
*01	3828W5A3866	MANUAL,OWNERS
*02	3828W5S3980	MANUAL,SERVICE
*02	3828W5S3981	MANUAL,SERVICE
*03	3878W5A0051	COOK BOOK
*10	3890W3Y778A	BOX,YELLOW
13213A	3213W1A028F	DOOR FRAME ASSY
13213a	3213W1A028R	DOOR FRAME ASSEMBLY
13536A	3536W1A001A	SEAL TAPE
13551A	383EW5A194B	SERVICE PARTS
24970A	4B72388A	SPRING
249401	4940W1A117A	KNOB
24781M	4781W1M361C	CONTROLLER ASSEMBLY,MICOM
24510L	4510W3L004A	LEVER,[RELEASE LEVER]
23806C	3806W1A108A	DECO,CONTROL PANEL
23551B	383EW5A182A	SERVICE PARTS
23551A	383EW5A195B	SERVICE PARTS
15006A	5006W3A017A	CAP,[CHOKE COVER]
14970A	4970WRA001C	SPRING
34810R	3B73973A	BRACKET
348102	4810W4G066A	BRACKET,[HEATER]
348101	4810W3G082A	BRACKET,[HEATER]
344702	4B74952A	GEAR
344701	4B75472A	GEAR
34370T	3B72373E	SHAFT,[TURN TABLE SHAFT]
34271A	4271W3A001B	BAR ASSY
33808A	3550W1A072A	nsp10092004 COVER,BACK
33650T	2B72896A	HANDLE,[ROTI HANDLE]
466003	3B73361E	SWITCH,MICRO
466001	3B73362F	SWITCH,MICRO
43501A	3501W1A003U	BOARD ASSEMBLY,LATCH
43500A	3500W1A008A	BOARD,[LATCH BOARD]
36549S	6549W2S002W	MOTOR(CIRC),SYNCHRONOUS
36549R	6549W2S002P	MOTOR(CIRC),SYNCHRONOUS
36549C	2B72063D	MOTOR(CIRC),CIRCULATION
35889A	5889W2A005L	ROTATING RING ASSY
35301A	5301W2A034T	HEATER ASSEMBLY
56208A	6208W2A005D	GLASS WOOL
56201A	6201W2A021B	FILTER ASSEMBLY(CIRC)
56170D	6170W1D068C	TRANSFORMER,HIGH VOLTAGE
55900N	3B72559A	FAN
55900C	3B72561A	FAN
55900A	2B72125A	FAN
55300S	5300W2S018A	HEATER,[SHEATH]
55262A	5262W2A018B	DUCT
54975G	4975W1G002C	GUIDE ASSY,[CHAMBER]
948503	3B72245C	CUSHION
948502	3B72245C	CUSHION
948502	3B72244C	CUSHION
948501	3B72244T	CUSHION
647781	4B75290A	LEG
63303A	3303W1A014A	BASE PLATE ASSY
63302A	3302W1A029A	BASE PLATE
56930M	6930W1A003K	THERMOSTAT
56912B	6912W3B002D	LAMP[OVEN/BASELESS]

C80	0CH1221K566	CAPACITOR, FIXED CERAMIC(Temp.compensate)
C25	0CK2230K948	CAPACITOR, FIXED CERAMIC(High d
C21	0CK2230K948	CAPACITOR, FIXED CERAMIC(High d
C20	0CH1223K566	CAPACITOR, FIXED CERAMIC(Temp.compensate)
C130	0CH1223K566	CAPACITOR, FIXED CERAMIC(Temp.compensate)
C121	0CH1102K566	CAPACITOR, FIXED CERAMIC(Temp.compensate)
C120	0CH1102K566	CAPACITOR, FIXED CERAMIC(Temp.compensate)
C11	0CE1076K638	CAPACITOR, FIXED ELECTROLYTIC
C10	0CK2230K948	CAPACITOR, FIXED CERAMIC(High d
D90	0DD414809AA	DIODE, SWITCHING
D37	0DD414809AB	DIODE
D36	0DD414809AB	DIODE
D35	0DD414809AB	DIODE
D33	0DD414809AB	DIODE
D32	0DD414809AB	DIODE
D31	0DD414809AB	DIODE
D30	0DD414809AB	DIODE
D25	0DD414809AA	DIODE, SWITCHING
SW7	6600R000019	SWITCH, TACT
SW6	6600R000019	SWITCH, TACT
SW5	6600R000019	SWITCH, TACT
SW4	6600R000019	SWITCH, TACT
SW3	6600R000019	SWITCH, TACT
SW2	6600R000019	SWITCH, TACT
SW13	6600R000019	SWITCH, TACT
SW12	6600R000019	SWITCH, TACT
SW11	6600R000019	SWITCH, TACT
SW10	6600R000019	SWITCH, TACT
SW1	6600R000019	SWITCH, TACT
RY6	6920WRD008A	RELAY
RY5	6920W5A012A	RELAY
RY4	6920WRD008A	RELAY
RY3	6920W5A012A	RELAY
RY2	6920W5A012A	RELAY
RY1	6920WRD008A	RELAY
R99	0RH4702L622	RESISTOR, METAL GLAZED(CHIP)
R96	0RD2701F608	RESISTOR, FIXED CARBON FILM
R95	0RD2701G608	RESISTOR, FIXED CARBON FILM
R94	0RD2701G608	RESISTOR, FIXED CARBON FILM
R93	0RD2701G608	RESISTOR, FIXED CARBON FILM
R92	0RD2701F608	RESISTOR, FIXED CARBON FILM
R91	0RD2701G608	RESISTOR, FIXED CARBON FILM
R90	0RD2701F608	RESISTOR, FIXED CARBON FILM
R83	0RD1503F608	RESISTOR, FIXED CARBON FILM
R82	0RD1503G608	RESISTOR, FIXED CARBON FILM
R81	0RD2202F608	RESISTOR, FIXED CARBON FILM
R80	0RD2202G608	RESISTOR, FIXED CARBON FILM
R55	0RH1004L622	RESISTOR, METAL GLAZED(CHIP)
R54	0RH1001L622	RESISTOR, METAL GLAZED(CHIP)
R51	0RD1000G608	RESISTOR, FIXED CARBON FILM
R50	0RH1001L622	RESISTOR, METAL GLAZED(CHIP)
R37	0RH1002L622	RESISTOR, METAL GLAZED(CHIP)
R36	0RD2001F608	RESISTOR, FIXED CARBON FILM
R35	0RH1002L622	RESISTOR, METAL GLAZED(CHIP)
R32	0RH0000L622	RESISTOR, METAL GLAZED(CHIP)
R30	0RD2001G608	RESISTOR, FIXED CARBON FILM

R26	0RH3901L622	RESISTOR,METAL GLAZED(CHIP)
R25	0RD1001G608	RESISTOR,FIXED CARBON FILM
R23	0RH1002L622	RESISTOR,METAL GLAZED(CHIP)
R22	0RD1001F608	RESISTOR,FIXED CARBON FILM
R21	0RH2202L622	RESISTOR,METAL GLAZED(CHIP)
R20	0RD2202G608	RESISTOR,FIXED CARBON FILM
R132	0RH1001L422	RESISTOR,METAL GLAZED(CHIP)
R13	0RH1003L622	RESISTOR,METAL GLAZED(CHIP)
R123	0RD4702F608	RESISTOR,FIXED CARBON FILM
R122	0RD4702F608	RESISTOR,FIXED CARBON FILM
R121	0RD1001G608	RESISTOR,FIXED CARBON FILM
R120	0RD1001G608	RESISTOR,FIXED CARBON FILM
R12	0RD0102G608	RESISTOR,FIXED CARBON FILM
R11	0RD0102G608	RESISTOR,FIXED CARBON FILM
R102	0RH4702L622	RESISTOR,METAL GLAZED(CHIP)
R100	0RH4702L622	RESISTOR,METAL GLAZED(CHIP)
R10	0RH1000L622	RESISTOR,METAL GLAZED(CHIP)
R04	0RH1001L622	RESISTOR,METAL GLAZED(CHIP)
R03	0RH1001L622	RESISTOR,METAL GLAZED(CHIP)
R02	0RH4701L622	RESISTOR,METAL GLAZED(CHIP)
R01	0RD1501F608	RESISTOR,FIXED CARBON FILM
Q50	0TR107009AC	TRANSISTOR,BIPOLARS
Q40	0TR105009AC	TRANSISTOR,BIPOLARS
Q37	0TR387509AB	TRANSISTOR,BIPOLARS
Q36	0TR105009AC	TRANSISTOR,BIPOLARS
Q35	0TR105009AC	TRANSISTOR,BIPOLARS
Q33	0TR105009AC	TRANSISTOR,BIPOLARS
Q32	0TR105009AC	TRANSISTOR,BIPOLARS
Q31	0TR105009AC	TRANSISTOR,BIPOLARS
Q30	0TR150409BF	TRANSISTOR,BIPOLARS
Q20	0TR387509AB	TRANSISTOR,BIPOLARS
Q02	0TR126609AA	TRANSISTOR,BIPOLARS
Q01	0TR126609AA	TRANSISTOR,BIPOLARS
PT1	6010W2P043Q	TRANSFORMER,POWER
PT1	6010W2P043H	TRANSFORMER,POWER
ZD2	0DZ750009AC	DIODE,ZENERS
ZD1	0DZ510009CA	DIODE,ZENERS
WWS005	1WSD0400032	WASHER,SPRING LOCK
WWP008	1WPL0500032	WASHER,PLAIN
WTT037	1TTL0403818	SCREW TAPPING,TRUSS HEAD
WTT030	1TTL0403118	SCREW TAPPING,TRUSS HEAD
WTT028	1TTL0402818	SCREW TAPPING,TRUSS HEAD
WTT028	1TTL0402818	SCREW TAPPING,TRUSS HEAD
WTT022	1TTL0402422	SCREW TAPPING,TRUSS HEAD
WTT021	1TTL0402418	SCREW TAPPING,TRUSS HEAD
WTT010	1TTG0402422	SCREW TAPPING,TRUSS HEAD
WTP015	1TPL0402618	SCREW TAPPING,PAN HEAD
WTP013	1TPL0402418	SCREW TAPPING,PAN HEAD
WTP013	1TPL0402418	SCREW TAPPING,PAN HEAD
WTP004	1TPL0302418	SCREW TAPPING,PAN HEAD
WTP002	1TPL0302018	SCREW TAPPING,PAN HEAD
WSZ092	4B70572B	SCREW,DRAWING
WSZ085	4B70188C	SCREW,DRAWING
WSZ062	4000W4A003A	SCREW,DRAWING
WSZ002	1SBF0402418	SCREW TAP TITE(S),BINDING HEAD
WNH003	1NHA0400032	NUT,HEXAGON

WNH002	1NHA0400018	NUT,HEXAGON
WMT002	1MTC0402432	SCREW MACHINE,TRUSS HEAD
WMT002	1MTC0402432	SCREW MACHINE,TRUSS HEAD
U01	0IZZW5A261A	IC,DRAWING
SW9	6600R000019	SWITCH,TACT
SW8	6600R000019	SWITCH,TACT
EN1	6024W5A0007	VOLUME,ROTARY
DP1	6302W5A022A	DIGITRON
D96	0DD414809AA	DIODE,SWITCHING
D95	0DD414809AA	DIODE,SWITCHING
D94	0DD414809AA	DIODE,SWITCHING
D93	0DD414809AA	DIODE,SWITCHING
D92	0DD414809AA	DIODE,SWITCHING
D91	0DD414809AA	DIODE,SWITCHING
D20	0DD414809AA	DIODE,SWITCHING
D10	0DD400209AA	DIODE,RECTIFIERS
D03	0DD400209AA	DIODE,RECTIFIERS
D02	0DD400209AA	DIODE,RECTIFIERS
D01	0DD400209AA	DIODE,RECTIFIERS
CU1	4850W4C001E	CUSHION
CR1	6212JB8001A	RESONATOR,CRYSTAL
C81	0CH1221K566	CAPACITOR,FIXED CERAMIC(Temp.compensate)
C07	0CK2230K948	CAPACITOR,FIXED CERAMIC(High d
C06	0CH1104K946	CAPACITOR,FIXED CERAMIC(Temp.compensate)
C05	0CE1076D638	CAPACITOR,FIXED ELECTROLYTIC
C04	0CE4776H618	CAPACITOR,FIXED ELECTROLYTIC
C04	0CE4771H638	CAPACITOR,FIXED ELECTROLYTIC
C02	0CE2276K618	CAPACITOR,FIXED ELECTROLYTIC
C01	0CK1040K948	CAPACITOR,FIXED CERAMIC(High d
BZ1	6908W3YA01C	BUZZER,PIEZO CERAMIC
568772	6877W3A009A	CONNECTOR ASSEMBLY
568771	6877W1A075Z	HARNESS
56851D	6021W3B001Q	CABLE ASSEMBLY
56851D	6021W3B001M	CABLE ASSY,DIODE
56549F	6549W1F008A	MOTOR(CIRC),FAN
56411A	6411W2C002F	POWER CORD ASSEMBLY
56324A	2B71732F	MAGNETRON
56322A	6322W2A001A	THERMISTOR,NTC
54974S	4974W1S016A	GUIDE,[SUCTION GUIDE]
54974A	4974W2G040A	AIR TUNNEL
54810S	3B72717A	BRACKET,[CONVENTION MOTOR]
54810C	4810W4C003A	BRACKET,[CAPACITOR]
54350S	4B73725A	RING
53504A	3300W1G057A	CHAMBER
50FZZA	3B74133N	FUSE,DRAWING
50CZZH	0CZZW1H004S	CAPACITOR,DRAWING[HIGH VOLTAGE]
35300A	5300W1A001A	HEATER,MIRACLON
35264A	5264W1A004A	AIR TUNNEL
35026G	3B71492Y	SHELF
35026C	3750W1A003M	SHELF
349801	4B75492A	SUPPORTER
34960A	4960W3G005A	MOUNT
34930W	4B72510F	HOLDER,[WIRE HOLDER]
34930R	4930W3A001A	HOLDER,[SHELF & ROTI BAR HOLDER]
33550H	3550W2A076A	COVER,[HEATER COVER]
33390M	3390W2P002F	TRAY,[METAL]

33390G	3390W1G002A	TRAY,[GLASS]
33112U	3112W1U019X	OUT CASE,U-BENDING
33052M	3052W1M004B	CANOPY,MICA
268711	6871W1S309A	PWB(PCB) ASSEMBLY,SUB
250202	5020W1A222A	BUTTON
250201	5020W1A221A	BUTTON
14890A	4890W1A001V	GLASS
14026A	4026W2A012A	LATCH
13581A	3581W0A107E	DOOR ASSEMBLY
13552A	3552W1A037A	CHOKE COVER
13213a	3213W1A028S	DOOR FRAME ASSEMBLY
*01	3828W5A3866	MANUAL,OWNERS
*02	3828W5S3516	MANUAL,SERVICE
*10	3890W3Y778A	BOX,YELLOW
ZD2	0DZ750009AC	DIODE,ZENERS
ZD1	0DZ510009CA	DIODE,ZENERS
WWS005	1WSD0400032	WASHER,SPRING LOCK
WWP008	1WPL0500032	WASHER,PLAIN
WTT037	1TTL0403818	SCREW TAPPING,TRUSS HEAD
WTT030	1TTL0403118	SCREW TAPPING,TRUSS HEAD
WTT028	1TTL0402818	SCREW TAPPING,TRUSS HEAD
WTT028	1TTL0402818	SCREW TAPPING,TRUSS HEAD
WTT022	1TTL0402422	SCREW TAPPING,TRUSS HEAD
WTT021	1TTL0402418	SCREW TAPPING,TRUSS HEAD
WTT010	1TTG0402422	SCREW TAPPING,TRUSS HEAD
WTP015	1TPL0402618	SCREW TAPPING,PAN HEAD
WTP013	1TPL0402418	SCREW TAPPING,PAN HEAD
WTP013	1TPL0402418	SCREW TAPPING,PAN HEAD
WTP004	1TPL0302418	SCREW TAPPING,PAN HEAD
WTP002	1TPL0302018	SCREW TAPPING,PAN HEAD
WSZ092	4B70572B	SCREW,DRAWING
WSZ085	4B70188C	SCREW,DRAWING
WSZ062	4000W4A003A	SCREW,DRAWING
WSZ002	1SBF0402418	SCREW TAP TITE(S),BINDING HEAD
WNH003	1NHA0400032	NUT,HEXAGON
WNH002	1NHA0400018	NUT,HEXAGON
WMT002	1MTC0402432	SCREW MACHINE,TRUSS HEAD
WMT002	1MTC0402432	SCREW MACHINE,TRUSS HEAD
U01	0IZZW5A261A	IC,DRAWING
SW9	6600R000019	SWITCH,TACT
SW8	6600R000019	SWITCH,TACT
SW7	6600R000019	SWITCH,TACT
SW6	6600R000019	SWITCH,TACT
SW5	6600R000019	SWITCH,TACT
SW4	6600R000019	SWITCH,TACT
SW3	6600R000019	SWITCH,TACT
SW2	6600R000019	SWITCH,TACT
SW13	6600R000019	SWITCH,TACT
SW12	6600R000019	SWITCH,TACT
SW11	6600R000019	SWITCH,TACT
SW10	6600R000019	SWITCH,TACT
SW1	6600R000019	SWITCH,TACT
RY6	6920WRD008A	RELAY
RY5	6920W5A012A	RELAY
RY4	6920WRD008A	RELAY
RY3	6920W5A012A	RELAY

RY2	6920W5A012A	RELAY
RY1	6920WRD008A	RELAY
R99	0RH4702L622	RESISTOR,METAL GLAZED(CHIP)
R96	0RD2701F608	RESISTOR,FIXED CARBON FILM
R95	0RD2701G608	RESISTOR,FIXED CARBON FILM
R94	0RD2701G608	RESISTOR,FIXED CARBON FILM
R93	0RD2701G608	RESISTOR,FIXED CARBON FILM
R92	0RD2701F608	RESISTOR,FIXED CARBON FILM
R91	0RD2701G608	RESISTOR,FIXED CARBON FILM
R90	0RD2701F608	RESISTOR,FIXED CARBON FILM
R83	0RD1503F608	RESISTOR,FIXED CARBON FILM
R82	0RD1503G608	RESISTOR,FIXED CARBON FILM
R81	0RD2202F608	RESISTOR,FIXED CARBON FILM
R80	0RD2202G608	RESISTOR,FIXED CARBON FILM
R55	0RH1004L622	RESISTOR,METAL GLAZED(CHIP)
R54	0RH1001L622	RESISTOR,METAL GLAZED(CHIP)
R51	0RD1000G608	RESISTOR,FIXED CARBON FILM
R50	0RH1001L622	RESISTOR,METAL GLAZED(CHIP)
R37	0RH1002L622	RESISTOR,METAL GLAZED(CHIP)
R36	0RD2001F608	RESISTOR,FIXED CARBON FILM
R35	0RH1002L622	RESISTOR,METAL GLAZED(CHIP)
R32	0RH0000L622	RESISTOR,METAL GLAZED(CHIP)
R30	0RD2001G608	RESISTOR,FIXED CARBON FILM
R26	0RH3901L622	RESISTOR,METAL GLAZED(CHIP)
R25	0RD1001G608	RESISTOR,FIXED CARBON FILM
R23	0RH1002L622	RESISTOR,METAL GLAZED(CHIP)
R22	0RD1001F608	RESISTOR,FIXED CARBON FILM
R21	0RH2202L622	RESISTOR,METAL GLAZED(CHIP)
R20	0RD2202G608	RESISTOR,FIXED CARBON FILM
R132	0RH1001L422	RESISTOR,METAL GLAZED(CHIP)
R13	0RH1003L622	RESISTOR,METAL GLAZED(CHIP)
R123	0RD4702F608	RESISTOR,FIXED CARBON FILM
R122	0RD4702F608	RESISTOR,FIXED CARBON FILM
R121	0RD1001G608	RESISTOR,FIXED CARBON FILM
R120	0RD1001G608	RESISTOR,FIXED CARBON FILM
R12	0RD0102G608	RESISTOR,FIXED CARBON FILM
R11	0RD0102G608	RESISTOR,FIXED CARBON FILM
R102	0RH4702L622	RESISTOR,METAL GLAZED(CHIP)
R100	0RH4702L622	RESISTOR,METAL GLAZED(CHIP)
R10	0RH1000L622	RESISTOR,METAL GLAZED(CHIP)
R04	0RH1001L622	RESISTOR,METAL GLAZED(CHIP)
R03	0RH1001L622	RESISTOR,METAL GLAZED(CHIP)
R02	0RH4701L622	RESISTOR,METAL GLAZED(CHIP)
R01	0RD1501F608	RESISTOR,FIXED CARBON FILM
Q50	0TR107009AC	TRANSISTOR,BIPOLARS
Q40	0TR105009AC	TRANSISTOR,BIPOLARS
Q37	0TR387509AB	TRANSISTOR,BIPOLARS
Q36	0TR105009AC	TRANSISTOR,BIPOLARS
Q35	0TR105009AC	TRANSISTOR,BIPOLARS
Q33	0TR105009AC	TRANSISTOR,BIPOLARS
J102	6854B20001B	JUMP WIRE
J101	6854B20001B	JUMP WIRE
EN1	6024W5A0007	VOLUME,ROTARY
DP1	6302W5A022A	DIGITRON
D96	0DD414809AA	DIODE,SWITCHING
D95	0DD414809AA	DIODE,SWITCHING

D94	0DD414809AA	DIODE,SWITCHING
D93	0DD414809AA	DIODE,SWITCHING
D92	0DD414809AA	DIODE,SWITCHING
D91	0DD414809AA	DIODE,SWITCHING
D90	0DD414809AA	DIODE,SWITCHING
D37	0DD414809AB	DIODE
D36	0DD414809AB	DIODE
D35	0DD414809AB	DIODE
D33	0DD414809AB	DIODE
D32	0DD414809AB	DIODE
D31	0DD414809AB	DIODE
D30	0DD414809AB	DIODE
D25	0DD414809AA	DIODE,SWITCHING
D20	0DD414809AA	DIODE,SWITCHING
D10	0DD400209AA	DIODE,RECTIFIERS
D03	0DD400209AA	DIODE,RECTIFIERS
D02	0DD400209AA	DIODE,RECTIFIERS
D01	0DD400209AA	DIODE,RECTIFIERS
CU1	4850W4C001E	CUSHION
CR1	6212JB8001A	RESONATOR,CRYSTAL
CN2	6630WRYA01A	CONNECTOR (CIRC),WAFER
CN1	6630W5V012E	CONNECTOR (CIRC),WAFER
C81	0CH1221K566	CAPACITOR,FIXED CERAMIC(Temp.compensate)
C80	0CH1221K566	CAPACITOR,FIXED CERAMIC(Temp.compensate)
C25	0CK2230K948	CAPACITOR,FIXED CERAMIC(High d
C21	0CK2230K948	CAPACITOR,FIXED CERAMIC(High d
C20	0CH1223K566	CAPACITOR,FIXED CERAMIC(Temp.compensate)
C130	0CH1223K566	CAPACITOR,FIXED CERAMIC(Temp.compensate)
C121	0CH1102K566	CAPACITOR,FIXED CERAMIC(Temp.compensate)
C120	0CH1102K566	CAPACITOR,FIXED CERAMIC(Temp.compensate)
C11	0CE1076K638	CAPACITOR,FIXED ELECTROLYTIC
C10	0CK2230K948	CAPACITOR,FIXED CERAMIC(High d
C07	0CK2230K948	CAPACITOR,FIXED CERAMIC(High d
C06	0CH1104K946	CAPACITOR,FIXED CERAMIC(Temp.compensate)
C05	0CE1076D638	CAPACITOR,FIXED ELECTROLYTIC
C04	0CE4771H638	CAPACITOR,FIXED ELECTROLYTIC
C02	0CE2276K618	CAPACITOR,FIXED ELECTROLYTIC
C01	0CK1040K948	CAPACITOR,FIXED CERAMIC(High d
BZ1	6908W3YA01C	BUZZER,PIEZO CERAMIC
???	6873W5P309A	Temp part for SBOM structure
???	5263W2A014U	Temp part for SBOM structure
???	4975W1S073K	Temp part for SBOM structure
???	4975W1G001V	Temp part for SBOM structure
???	3551W1A014B	Temp part for SBOM structure
???	2B73143A	Temp part for SBOM structure
948504	3B72245C	CUSHION
948503	4B73438W	CUSHION
948502	3B72244C	CUSHION
948501	3B72244T	CUSHION
647781	4B75290A	LEG
63303A	3303W1A014A	BASE PLATE ASSY
63302A	3302W1A029A	BASE PLATE
56930M	6930W1A003K	THERMOSTAT
56912B	6912W3B002D	LAMP[OVEN/BASELESS]
568772	6877W3A009A	CONNECTOR ASSEMBLY
568771	6877W1A075Z	HARNESS



56851D	6021W3B001M	CABLE ASSY,DIODE
56549F	6549W1F008A	MOTOR(CIRC),FAN
56411A	6411W2C002F	POWER CORD ASSEMBLY
56324A	2B71732F	MAGNETRON
56322A	6322W2A001A	THERMISTOR,NTC
56208A	6208W2A005D	GLASS WOOL
56201A	6201W2A021B	FILTER ASSY,NOISE
56170D	6170W1D068C	TRANSFORMER,HIGH VOLTAGE
55900N	3B72559A	FAN
55900C	3B72561A	FAN
55900A	2B72125A	FAN
Q32	0TR105009AC	TRANSISTOR,BIPOLARS
Q31	0TR105009AC	TRANSISTOR,BIPOLARS
Q30	0TR150409BF	TRANSISTOR,BIPOLARS
Q20	0TR387509AB	TRANSISTOR,BIPOLARS
Q02	0TR126609AA	TRANSISTOR,BIPOLARS
Q01	0TR126609AA	TRANSISTOR,BIPOLARS
PT1	6010W2P043H	TRANSFORMER,POWER
J209	6854A20001B	JUMP WIRE
J207	6854A20001B	JUMP WIRE
J206	6854A20001B	JUMP WIRE
J205	6854A20001B	JUMP WIRE
J204	6854A20001B	JUMP WIRE
J203	6854A20001B	JUMP WIRE
J202	6854A20001B	JUMP WIRE
J201	6854A20001B	JUMP WIRE
J117	6854B20001B	JUMP WIRE
J116	6854B20001B	JUMP WIRE
J115	6854B20001B	JUMP WIRE
J114	6854B20001B	JUMP WIRE
J112	6854B20001B	JUMP WIRE
J111	6854B20001B	JUMP WIRE
J110	6854B20001B	JUMP WIRE
J109	6854B20001B	JUMP WIRE
J108	6854B20001B	JUMP WIRE
J107	6854B20001B	JUMP WIRE
J106	6854B20001B	JUMP WIRE
J105	6854B20001B	JUMP WIRE
J104	6854B20001B	JUMP WIRE
J103	6854B20001B	JUMP WIRE
55300S	5300W2S018A	HEATER,[SHEATH]
55262A	5262W2A018B	DUCT
54975G	4975W1G002C	GUIDE ASSY,[CHAMBER]
54974S	4974W1S016A	GUIDE,[SUCTION GUIDE]
54974A	4974W2G040A	AIR TUNNEL
54810S	3B72717A	BRACKET,[CONVENTION MOTOR]
54810C	4810W4C003A	BRACKET,[CAPACITOR]
54350S	4B73725A	RING
53504A	3300W1G057A	CHAMBER
50FZZA	3B70856K	FUSE,DRAWING
50CZZH	0CZZW1H003K	CAPACITOR,DRAWING[HIGH VOLTAGE]
466003	3B73361E	SWITCH,MICRO
466001	3B73362F	SWITCH,MICRO
43501A	3501W1A003U	BOARD ASSEMBLY,LATCH
43500A	3500W1A008A	BOARD,[LATCH BOARD]
36549S	6549W2S002W	MOTOR(CIRC),SYNCHRONOUS

36549R	6549W2S002P	MOTOR(CIRC),SYNCHRONOUS
36549C	2B72063D	MOTOR(CIRC),CIRCULATION
35889A	5889W2A005L	ROTATING RING ASSY
35301A	5301W2A034A	HEATER ASSY
35300A	5300W2A006S	HEATER,MIRACLON
35264A	5264W1A004A	AIR TUNNEL
35026G	3B71492Y	SHELF
35026C	3750W1A003M	SHELF
349801	4B75492A	SUPPORTER
34960A	4960W3G005A	MOUNT
34930W	4B72510F	HOLDER,[WIRE HOLDER]
34930R	4930W3A001A	HOLDER,[SHELF & ROTI BAR HOLDER]
34810R	3B73973A	BRACKET
348102	4810W4G066A	BRACKET,[HEATER]
348101	4810W3G082A	BRACKET,[HEATER]
344702	4B74952A	GEAR
344701	4B75472A	GEAR
34370T	3B72373E	SHAFT,[TURN TABLE SHAFT]
34271A	4271W3A001B	BAR ASSY
33808A	3550W1A072A	COVER,BACK
33650T	2B72896A	HANDLE,[ROTI HANDLE]
33550H	3550W2A076A	COVER,[HEATER COVER]
33390M	3390W2P002F	TRAY,[METAL]
33390G	3390W1G002A	TRAY,[GLASS]
33112U	3112W1U019X	OUT CASE,U-BENDING
33052M	3052W1M004B	CANOPY,MICA
268711	6871W1S309A	PWB(PCB) ASSEMBLY,SUB
250202	5020W1A222A	BUTTON
250201	5020W1A221A	BUTTON
24970A	4B72388A	SPRING
249401	4940W1A117A	KNOB
24781M	4781W1M361C	CONTROLLER ASSEMBLY,MICOM
24510L	4510W3L004A	LEVER,[RELEASE LEVER]
23806C	3806W1A108A	DECO,CONTROL PANEL
23806A	3806W1A108A	DECO,CONTROL PANEL
23551B	383EW5A182A	SERVICE PARTS
23551A	383EW5A195B	SERVICE PARTS
15006A	5006W3A017A	CAP,[CHOKE COVER]
14970A	4970WRA001C	SPRING
14890A	4890W1A001V	GLASS
14026A	4026W2A012A	LATCH
13581A	3581W0A107E	DOOR ASSEMBLY
13552A	3552W1A037A	CHOKE COVER
13551A	383EW5A194B	SERVICE PARTS
13536A	3536W1A001A	SEAL TAPE
13213A	3213W1A028F	DOOR FRAME ASSY
*03	3878W5A0051	COOK BOOK