

Service
Service
Service



Service Manual



Contents	Page
1 Technical Specification and Connection Facilities	1-1 to 1-2
2 Laser Beam Safety Precautions.....	2-1
3 Important Safety Precautions	3-1 to 3-2
4 Safety Check After Servicing	4-1
5 Safety Information General Notes & Lead Free Requirement	5-1
6 Standard Notes For Servicing, Lead Free Requirements & Handling Flat Pack Ic.....	6-1 to 6-4
7 Direction of Use	7-1 to 7-9
8 Cabinet Disassembly Instructions	8-1 to 8-2
9 Troubleshooting	9-1
10 Software Version Check & Upgrad.....	10-1 to 10-2
11 Block Diagram	11-1
12 Wiring Diagram	12-1
13 USB and Headphone Board	
Circuit Diagram	13-1
Layout Diagram	13-1

Contents	Page
14 AMP And MCU Board	
Circuit Diagram	13-2
Layout Diagram	13-3
15 VFD Display Board	
Circuit Diagram	13-4
Layout Diagram	13-5
16 Decoder Board	
Circuit Diagram	13-6 to 13-17
Layout Diagram	13-18
17 Power Board	
Circuit Diagram	13-19
Layout Diagram	13-20
18 Exploded View	14-1
19 Revision List	15-1

VERSION VARIATION

Type /Versions:		MBD3000					
Board in used:	Service policy	/12			/93	/73	/98
DISPLAY BOARD	C				C		
USB BOARD	C				C		
HEDAPHONE BOARD	C				C		
BLURAY MAIN BOARD	M				M		
POWER BOARD	M				M		
MCU BOARD	M						
Type /Versions:		MBD3000					
Features	Feature difference	/12			/93	/73	/98
RDS		√					
VOLTAGE SELECTOR		√					
ECO STANDBY		√					
DTS		√			√		

* TIPS : C -- Component Lever Repair.
M -- Module Lever Repair
√ -- Used

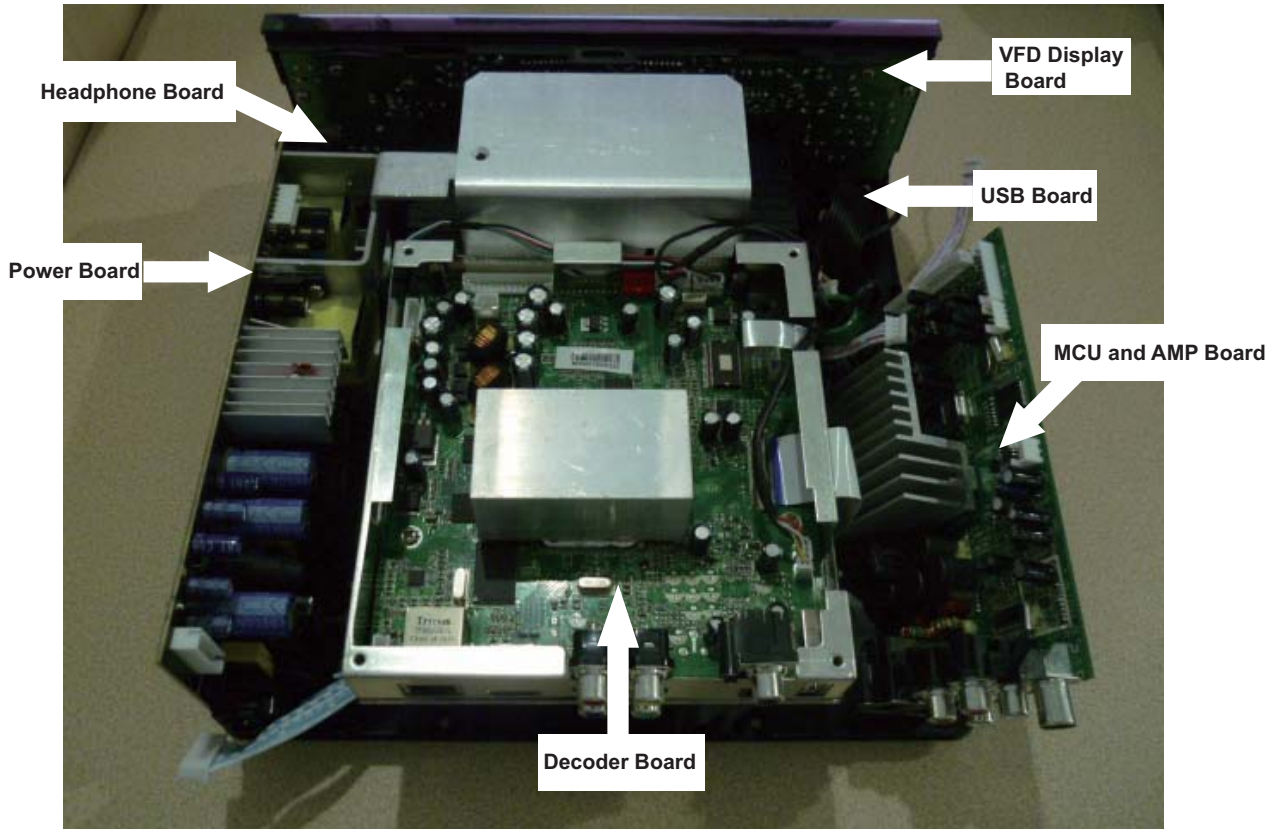
©Copyright 2010 Philips Consumer Electronics B.V. Eindhoven, The Netherlands. All rights reserved. No part of this publication may be reproduced, stored in a retrieval system or transmitted, in any form or by any means, electronic, mechanical, photocopying, or otherwise without the prior permission of Philips.



Technical Specification and Connection Facilities

1. Technical Specification and Connection Facilities

1.1 PCB Locations



1.2 General

Power supply	: 110-240V, 50Hz~60Hz
Power consumption	: 50W
Standby power consumption	: < 0.5 W

Coaxial	Output signal Amplitude(75Ωterminater)	: 0.5Vpp ± 20%
	Output impedance	: 75Ω ± 20%
	DC Output voltage	: < 0.05V

1.3 Radio

Tuning range	: 87.5~108MHz
Signal to noise ration	: >55dB
Search selectivity	: > 28dBf
Tuning Grid	: 50KHz
Distortion	: <1%

Video Supporting Format

Signal system	:PAL/NTSC
HDMI output	:480p,576p,720p,1080i, 1080p,1080p24
Video output	:480/576i,480/576p, 720p,1080i

1.4 Connectivity

Audio Performance

HUM	: 150nW
Acoustical noise/hum	: 26dB
THD Maximal	: < 0.8%
Signal to noise ratio	: ≥ 77dB
Line Out(left/right)	: 2000mV± 2dB
MP3_link(front)	: 500mV,Rin≥ 16KΩ

CVBS Output Component

Amplitude Output	: 1Vpp ± 10%
White Bar	: 714mV± 10%
Sync. Amplitude	: 286mV ± 10%
S/N Luminunce	: ≥ 60dB
Chroma / Luminunce Delay(2T pulse)	: ≤ 20ns
DC Level	: ≤ 1V

Digital Audio Outputs

LPCM	: according IEC 60958-3
MPEG 1, MPEG 2, AC3	: according IEC 61937
DTS	: according IEC 61937 + addendum

Video Output Component

Amplitude Output	: 1000mV±10%
White Bar	: 714mV±10%
Sync. Amplitude	: 286mV± 10%
S/N Luminunce	: ≥ 60dB
DC Level	: ≤ 1V

Technical Specifications and Connection Facilities

USB

Compatibility	: USB2.0
Type of connector	: Series A Connector
Class support	: UMS(USB Mass Storage Class)
File System	: FAT12,FAT16,FAT32

HDMI Output

Compatibility	: HDMI Version 1.4
Type of connector	: Type A Connector(19pins)

1.5 Dimension and Weight

Set Dimension WxHxD	: 277x98x247(mm)
Net Weight	: 2.5kg
Speakers Dimension WxHxD	: 160x255x231(mm)
Net Weight	: 3.5kg

1.6 Laser Output Power & Wavelength

BD

Output power	: 20mW
Wavelength	: 405 +5nm/-5nm

DVD

Output power	: 7mW
Wavelength	: 650 +5nm/-10nm

CD

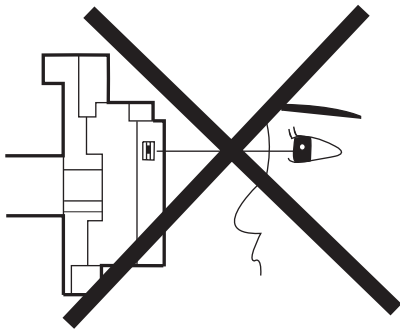
Output power	:7mW
Wavelength	:790 +10nm/-20nm

1.7 Playability

Video Playback		
1.	Playback Media: CD-R/CD-RW, DVD+R/+RW, DVD-R/-RW, DVD-Video, Video CD/SVCD, DVD+R DL, DVD-R DL, USB flash drive	x
2.	Compression Formats: MPEG2, MPEG1, DivX 3.11, DivX 4.x, DivX 5.x, DivX 6.0, MPEG4	x
Audio Playback		
1.	Playback Media: Audio CD, CD-R/RW, DVD+R DL, DVD+R/+RW, DVD-R/-RW, MP3- CD, MP3-DVD, USB flash drive, WMA-CD	x
2.	Compression Format: Dolby Digital, MP3, MPEG2 Multichannel, PCM, WMA	x
3.	MPEG1 bit rates: 64-384 kbps and VBR	x
Still Picture Playback		
1.	Playback Media: CD-R/RW, DVD+R DL, DVD+R/+RW, DVD- R/-RW, Picture CD, USB Digital Camera (PTP), USB flash drive	x
2.	Picture Compression Format: JPEG, JPEG digital camera photos	x
3.	Picture enhancement: Slideshow with MP3 playback, Create albums, Rotate, Slideshow with music playback, Zoom	x

Laser Beam Safety Precautions

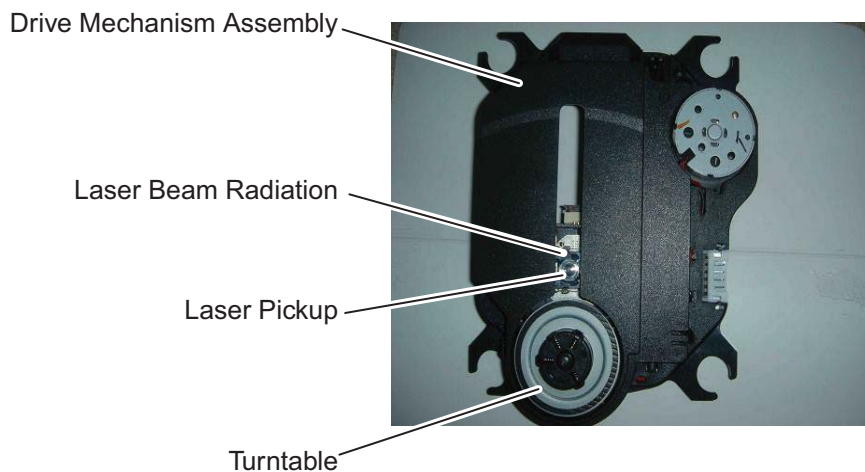
This Blu-Ray player uses a pickup that emits a laser beam.



Do not look directly at the laser beam coming from the pickup or allow it to strike against your skin.

The laser beam is emitted from the location shown in the figure. When checking the laser diode, be sure to keep your eyes at least 30 cm away from the pickup lens when the diode is turned on. Do not look directly at the laser beam.

CAUTION: Use of controls and adjustments, or doing procedures other than those specified herein, may result in hazardous radiation exposure.



CAUTION-CLASS 2M LASER
RADIATION WHEN OPEN
DO NOT STARE INTO THE BEAM
OR VIEW DIRECTLY WITH
OPTICAL INSTRUMENTS



Location: Inside Top of Blu-Ray mechanism.

Important Safety Precautions

Important

Read and understand all instructions before you use your home theater. If damage is caused by failure to follow instructions, the warranty does not apply.

Safety

Risk of electric shock or fire!

- Never expose the product and accessories to rain or water. Never place liquid containers, such as vases, near the product. If liquids are spilled on or into the product, disconnect it from the power outlet immediately. Contact Philips Consumer Care to have the product checked before use.
- Never place the product and accessories near naked flames or other heat sources, including direct sunlight.
- Never insert objects into the ventilation slots or other openings on the product.
- Where the mains plug or an appliance coupler is used as the disconnect device, the disconnect device shall remain readily operable.
- Disconnect the product from the power outlet before lightning storms.
- When you disconnect the power cord, always pull the plug, never the cable.

Risk of short circuit or fire!

- Before you connect the product to the power outlet, ensure that the power voltage matches the value printed on the back or bottom of the product. Never connect the product to the power outlet if the voltage is different.

Risk of injury or damage to the home theater!

- For wall-mountable products, use only the supplied wall mount bracket. Secure the wall mount to a wall that can support the combined weight of the product and the wall mount. Koninklijke Philips Electronics N.V. bears no responsibility for improper wall mounting that results in accident, injury or damage.

- For speakers with stands, use only the supplied stands. Secure the stands to the speakers tightly. Place the assembled stands on flat, level surfaces that can support the combined weight of the speaker and stand.
- Never place the product or any objects on power cords or on other electrical equipment.
- If the product is transported in temperatures below 5°C, unpack the product and wait until its temperature matches room temperature before connecting it to the power outlet.
- Visible and invisible laser radiation when open. Avoid exposure to beam.
- Do not touch the disc optical lens inside the disc compartment.

Risk of overheating!

- Never install this product in a confined space. Always leave a space of at least four inches around the product for ventilation. Ensure curtains or other objects never cover the ventilation slots on the product.

Risk of contamination!

- Do not mix batteries (old and new or carbon and alkaline, etc.).
- Remove batteries if they are exhausted or if the remote control is not to be used for a long time.
- Batteries contain chemical substances, they should be disposed of properly.

Product care

- Do not insert any objects other than discs into the disc compartment.
- Do not insert warped or cracked discs into the disc compartment.
- Remove discs from the disc compartment if you are not using the product for an extended period of time.
- Only use microfiber cloth to clean the product.

Important Safety Precautions

Disposal of your old product and batteries



Your product is designed and manufactured with high quality materials and components, which can be recycled and reused.



When this crossed-out wheeled bin symbol is attached to a product it means that the product is covered by the European Directive 2002/96/EC. Please inform yourself about the local separate collection system for electrical and electronic products.

Please act according to your local rules and do not dispose of your old products with your normal household waste.

Correct disposal of your old product helps to prevent potential negative consequences for the environment and human health.



Your product contains batteries covered by the European Directive 2006/66/EC, which cannot be disposed with normal household waste.

Please inform yourself about the local rules on separate collection of batteries because correct disposal helps to prevent negative consequences for the environmental and human health.

User manual CD

To read the complete user manual, which includes information on advanced features, use the CD supplied with your home theater. For a printed copy of the complete user manual, contact Philips Consumer Care in your country.

To access the user manual

Caution

- The user manual CD is for PC or Mac only. Do not insert the user manual CD into the disc compartment of the home theater.

Requirements:

- A PC (Microsoft Windows compatible) or Mac (OS X) with CD-ROM
- Adobe Reader

- 1 Insert the user manual CD into the CD-ROM tray of the PC or Mac.
- 2 Close the CD-ROM tray.
 - » The user manual screen appears. If the user manual screen does not appear, skip Step 3 and navigate to the 'pdf' folder in the CD-ROM, double-clicking the PDF of your choice.
- 3 Click a user manual language.
 - » Acrobat Reader launches, displaying the complete user manual in the language of your choice.

Safety Check after Servicing

Examine the area surrounding the repaired location for damage or deterioration. Observe that screws, parts, and wires have been returned to their original positions. Afterwards, do the following tests and confirm the specified values to verify compliance with safety standards.

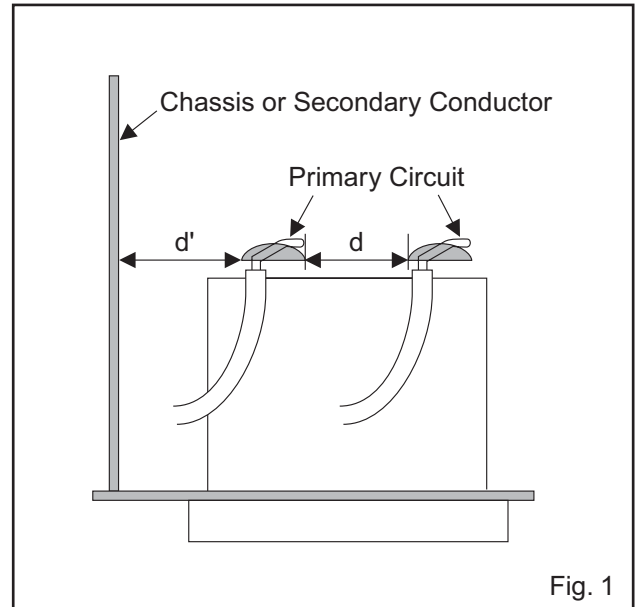
1. Clearance Distance

When replacing primary circuit components, confirm specified clearance distance (d) and (d') between soldered terminals, and between terminals and surrounding metallic parts. (See Fig. 1)

Table 1: Ratings for selected area

AC Line Voltage	Clearance Distance (d), (d')
110V~220V	≥ 3.2 mm (0.126 inches)

Note: This table is unofficial and for reference only. Be sure to confirm the precise values.



2. Leakage Current Test

Confirm the specified (or lower) leakage current between B (earth ground, power cord plug prongs) and externally exposed accessible parts (RF terminals, antenna terminals, video and audio input and output terminals, microphone jacks, earphone jacks, etc.) is lower than or equal to the specified value in the table below.

Measuring Method (Power ON):

Insert load Z between B (earth ground, power cord plug prongs) and exposed accessible parts. Use an AC voltmeter to measure across the terminals of load Z. See Fig. 2 and the following table.

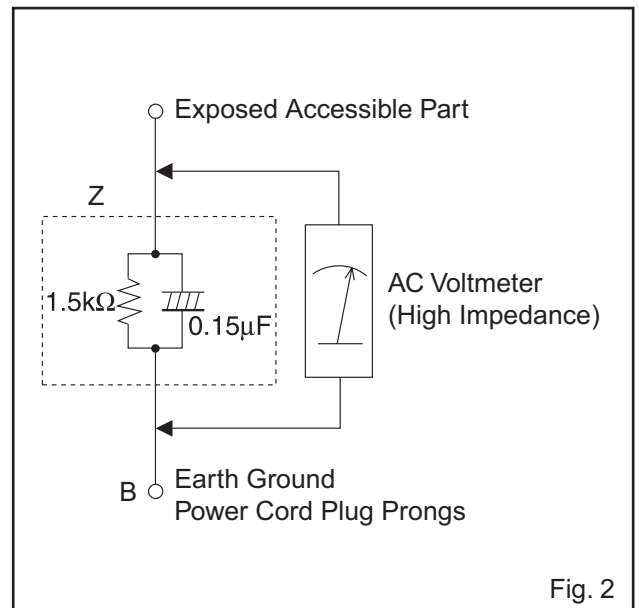


Fig. 2

Table 2: Leakage current ratings for selected areas

AC Line Voltage	Load Z	Leakage Current (i)	Earth Ground (B) to:
110V~220V	0.15 μ F CAP. & 1.5 k Ω RES. Connected in parallel	$i \leq 0.5$ mA Peak	Exposed accessible parts

Note: This table is unofficial and for reference only. Be sure to confirm the precise values.

Safety Information, General Notes & Lead Free Requirements

1 Safety Instructions

1.1 General Safety

Safety regulations require that during a repair:

- Connect the unit to the mains via an isolation transformer.
- Replace safety components, indicated by the symbol ▲, only by components identical to the original ones. Any other component substitution (other than original type) may increase risk of fire or electrical shock hazard.

Safety regulations require that after a repair, you must return the unit in its original condition. Pay, in particular, attention to the following points:

- Route the wires/cables correctly, and fix them with the mounted cable clamps.
- Check the insulation of the mains lead for external damage.
- Check the electrical DC resistance between the mains plug and the secondary side:
 1. Unplug the mains cord, and connect a wire between the two pins of the mains plug.
 2. Set the mains switch to the 'on' position (keep the mains cord unplugged!).
 3. Measure the resistance value between the mains plug and the front panel, controls, and chassis bottom.
 4. Repair or correct unit when the resistance measurement is less than 1 MΩ.
 5. Verify this, before you return the unit to the customer/user (ref. UL-standard no. 1492).
 6. Switch the unit 'off', and remove the wire between the two pins of the mains plug.

1.2 Laser Safety

This unit employs a laser. Only qualified service personnel may remove the cover, or attempt to service this device (due to possible eye injury).

Laser Device Unit

Type	: AlGaIn(BD)
	: AlGaInP(DVD)
	: AlGaInP(CD)
Wavelength	: 650 nm (DVD)
	: 780 nm (VCD/CD)
	: 405nm(BD)
Output Power	: 20 mW
	(DVD+RW writing)
	: 0.8 mW
	(DVD reading)
	: 0.3 mW
	(VCD/CD reading)
Beam divergence	: 60 degree

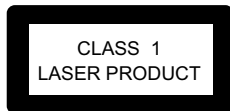


Figure 2-1

Note: Use of controls or adjustments or performance of procedure other than those specified herein, may result in hazardous radiation exposure. Avoid direct exposure to beam.

2 Warnings

2.1 General

- All ICs and many other semiconductors are susceptible to electrostatic discharges (ESD, ⚡). Careless handling during repair can reduce life drastically. Make sure that, during repair, you are at the same potential as the mass of the set by a wristband with resistance. Keep components and tools at this same potential. Available ESD protection equipment:
 - Complete kit ESD3 (small tablemat, wristband, connection box, extension cable and earth cable) 4822 310 10671.
 - Wristband tester 4822 344 13999.
- Be careful during measurements in the live voltage section. The primary side of the power supply, including the heatsink, carries live mains voltage when you connect the player to the mains (even when the player is 'off!'). It is possible to touch copper tracks and/or components in this unshielded primary area, when you service the player. Service personnel must take precautions to prevent touching this area or components in this area. A 'lightning stroke' and a stripe-marked printing on the printed wiring board, indicate the primary side of the power supply.
- Never replace modules, or components, while the unit is 'on'.

2.2 Laser

- The use of optical instruments with this product, will increase eye hazard.
- Only qualified service personnel may remove the cover or attempt to service this device, due to possible eye injury.
- Repair handling should take place as much as possible with a disc loaded inside the player.
- Text below is placed inside the unit, on the laser cover shield:

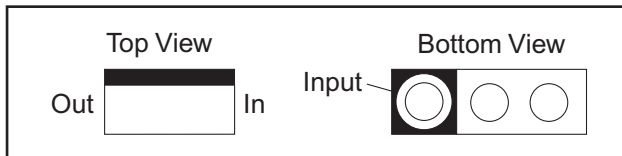
CAUTION VISIBLE AND INVISIBLE LASER RADIATION WHEN OPEN AVOID EXPOSURE TO BEAM
 ADVARSEL SYNLIG OG USYNLIG LASERSTRÅLING VED ÅBNING UNDGÅ UDSÆTTELSE FOR STRÅLING
 ADVARSEL SYNLIG OG USYNLIG LASERSTRÅLING NÅR DEKSEL ÅPNES UNNGÅ EKSPONERING FOR STRÅLEN
 VARNING SYNLIG OCH OSYNLIG LASERSTRÅLNING NÅR DENNA DEL ÅR ÖPPNAD BETRÄKTA EJ STRÅLEN
 VAROJ AVATTAESSA OLET ALLTIINA NÄKYVÄLLE JA NÄKYMÄTTÖMÄLLE LASER SÄTEILYLLE ÄLÄ KATSO SÄTEESEEN
 VORSICHT SICHTBARE UND UNSICHTBARE LASERSTRÄHLUNG WENN ABDECKUNG GEÖFFNET NICHT DEM STRAHL AUSSETZEN
 DANGER VISIBLE AND INVISIBLE LASER RADIATION WHEN OPEN AVOID DIRECT EXPOSURE TO BEAM
 ATTENTION RAYONNEMENT LASER VISIBLE ET INVISIBLE EN CAS D'OUVERTURE EXPOSITION DANGEREUSE AU FAISCEAU

Figure 2-2

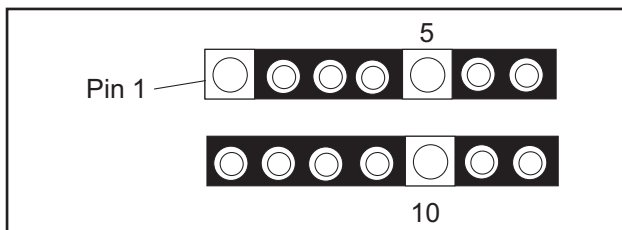
Standard Notes for Servicing, Lead Free Requirements & Handling Flat Pack IC

Circuit Board Indications

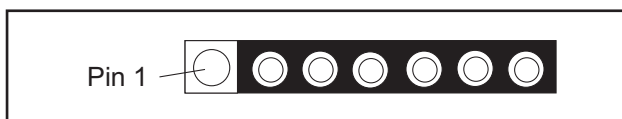
1. The output pin of the 3 pin Regulator ICs is indicated as shown.



2. For other ICs, pin 1 and every fifth pin are indicated as shown.

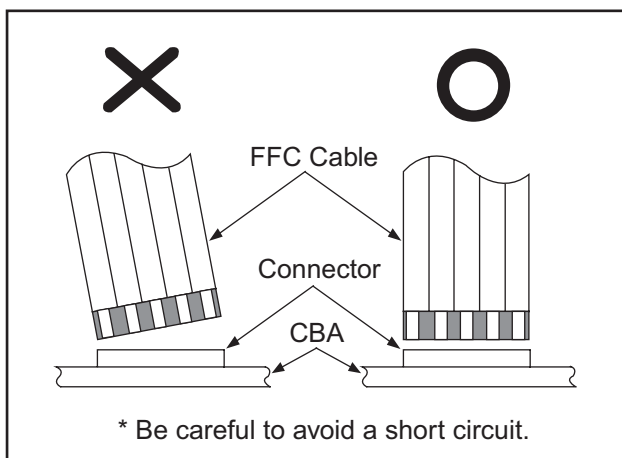


3. The 1st pin of every male connector is indicated as shown.



Instructions for Connectors

1. When you connect or disconnect the FFC (Flexible Foil Connector) cable, be sure to first disconnect the AC cord.
2. FFC (Flexible Foil Connector) cable should be inserted parallel into the connector, not at an angle.



Pb (Lead) Free Solder

When soldering, be sure to use the Pb free solder.

Information about lead-free soldering

Philips CE is producing lead-free sets from 1.1.2005 onwards.

IDENTIFICATION

Regardless of special logo (not always indicated)



One must treat all sets from **1 Jan 2005** onwards, according to the next rule:

Serial Number gives a 14-digit. Digit 5&6 shows the YEAR, and digit 7&8 shows the WEEK.

So from **0501** onwards=from 1 Jan 2005 onwards

Important note : In fact also products of year 2004 must be treated in this way as long as you avoid mixing solder-alloys (leaded/ lead-free). So best to always use SAC305 and the higher temperatures belong to this.

Due to lead-free technology some rules have to be respected by the workshop during a repair:

- Use only lead-free solder alloy Philips SAC305 with order code 0622 149 00106. If lead-free solder-paste is required, please contact the manufacturer of your solder-equipment. In general use of solder-paste within workshops should be avoided because paste is not easy to store and to handle.
- Use only adequate solder tools applicable for lead-free solder alloy. The solder tool must be able
 - To reach at least a solder-temperature of 400°C,
 - To stabilize the adjusted temperature at the solder-tip
 - To exchange solder-tips for different applications.
- Adjust your solder tool so that a temperature around 360°C - 380°C is reached and stabilized at the solder joint. Heating-time of the solder-joint should not exceed ~ 4 sec. Avoid temperatures above 400°C otherwise wear-out of tips will rise drastically and flux-fluid will be destroyed. To avoid wear-out of tips switch off un-used equipment, or reduce heat.
- Mix of lead-free solder alloy / parts with leaded solder alloy / parts is possible but PHILIPS recommends strongly to avoid mixed solder alloy types (leaded and lead-free).
If one cannot avoid or does not know whether product is lead-free, clean carefully the solder-joint from old solder alloy and re-solder with new solder alloy (SAC305).
- Use only original spare-parts listed in the Service-Manuals. Not listed standard-material (commodities) has to be purchased at external companies.

Standard Notes for Servicing, Lead Free Requirements & Handling Flat Pack IC

- Special information for BGA-ICs:

- always use the 12nc-recognizable soldering temperature profile of the specific BGA (for desoldering always use the lead-free temperature profile, in case of doubt)
- lead free BGA-ICs will be delivered in so-called 'dry-packaging' (sealed pack including a silica gel pack) to protect the IC against moisture. After opening, dependent of MSL-level seen on indicator-label in the bag, the BGA-IC possibly still has to be baked dry. (MSL=Moisture Sensitivity Level). This will be communicated via AYS-website. Do not re-use BGAs at all.

- For sets produced before 1.1.2005 (except products of 2004), containing leaded solder-alloy and components, all needed spare-parts will be available till the end of the service-period. For repair of such sets nothing changes.

- On our website www.atyourservice.ce.Philips.com you find more information to:

- BGA-de-/soldering (+ baking instructions)
- Heating-profiles of BGAs and other ICs used in Philips-sets

You will find this and more technical information within the "magazine", chapter "workshop news".

For additional questions please contact your local repair-helpdesk.

How to Remove / Install Flat Pack-IC

1. Removal

With Hot-Air Flat Pack-IC Desoldering Machine:

1. Prepare the hot-air flat pack-IC desoldering machine, then apply hot air to the Flat Pack-IC (about 5 to 6 seconds). (Fig. S-1-1)

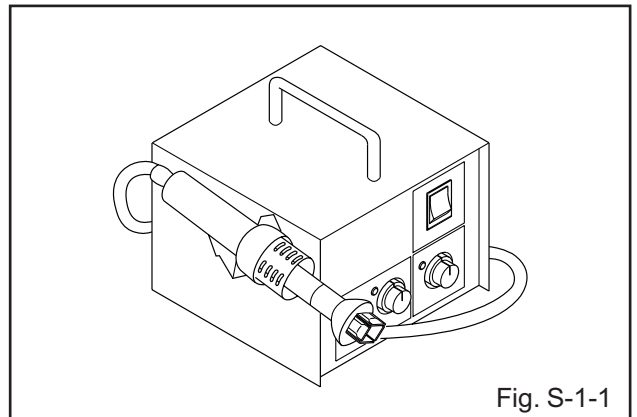


Fig. S-1-1

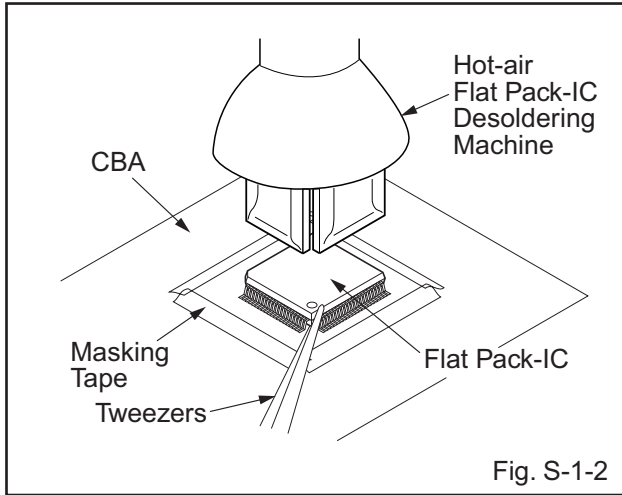
2. Remove the flat pack-IC with tweezers while applying the hot air.
3. Bottom of the flat pack-IC is fixed with glue to the CBA; when removing entire flat pack-IC, first apply soldering iron to center of the flat pack-IC and heat up. Then remove (glue will be melted). (Fig. S-1-6)
4. Release the flat pack-IC from the CBA using tweezers. (Fig. S-1-6)

CAUTION:

1. The Flat Pack-IC shape may differ by models. Use an appropriate hot-air flat pack-IC desoldering machine, whose shape matches that of the Flat Pack-IC.
2. Do not supply hot air to the chip parts around the flat pack-IC for over 6 seconds because damage to the chip parts may occur. Put masking tape around the flat pack-IC to protect other parts from damage. (Fig. S-1-2)

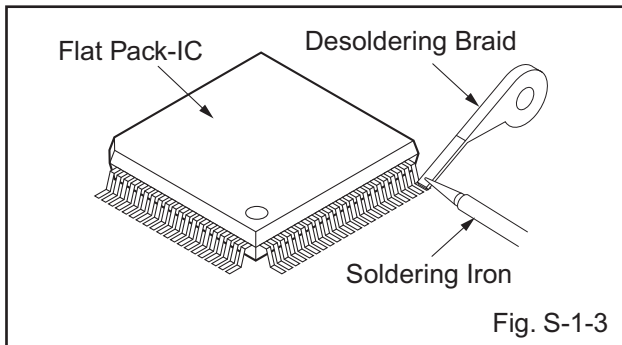
Standard Notes for Servicing, Lead Free Requirements & Handling Flat Pack IC

- The flat pack-IC on the CBA is affixed with glue, so be careful not to break or damage the foil of each pin or the solder lands under the IC when removing it.

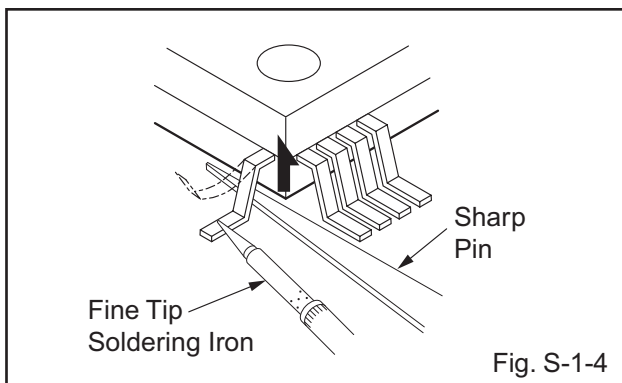


With Soldering Iron:

- Using desoldering braid, remove the solder from all pins of the flat pack-IC. When you use solder flux which is applied to all pins of the flat pack-IC, you can remove it easily. (Fig. S-1-3)



- Lift each lead of the flat pack-IC upward one by one, using a sharp pin or wire to which solder will not adhere (iron wire). When heating the pins, use a fine tip soldering iron or a hot air desoldering machine. (Fig. S-1-4)



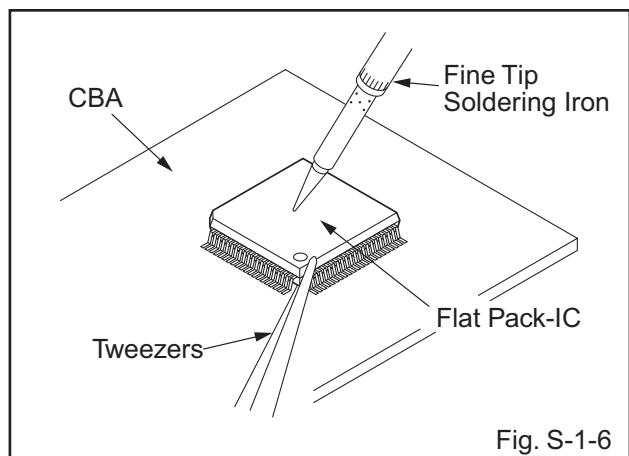
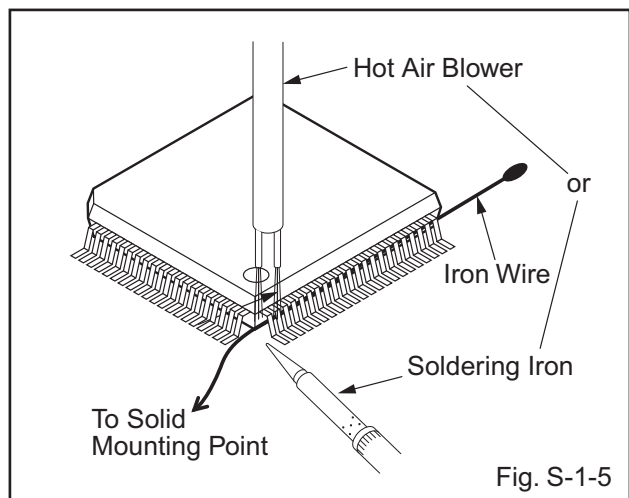
- Bottom of the flat pack-IC is fixed with glue to the CBA; when removing entire flat pack-IC, first apply soldering iron to center of the flat pack-IC and heat up. Then remove (glue will be melted). (Fig. S-1-6)

- Release the flat pack-IC from the CBA using tweezers. (Fig. S-1-6)

With Iron Wire:

- Using desoldering braid, remove the solder from all pins of the flat pack-IC. When you use solder flux which is applied to all pins of the flat pack-IC, you can remove it easily. (Fig. S-1-3)
- Affix the wire to a workbench or solid mounting point, as shown in Fig. S-1-5.
- While heating the pins using a fine tip soldering iron or hot air blower, pull up the wire as the solder melts so as to lift the IC leads from the CBA contact pads as shown in Fig. S-1-5.
- Bottom of the flat pack-IC is fixed with glue to the CBA; when removing entire flat pack-IC, first apply soldering iron to center of the flat pack-IC and heat up. Then remove (glue will be melted). (Fig. S-1-6)
- Release the flat pack-IC from the CBA using tweezers. (Fig. S-1-6)

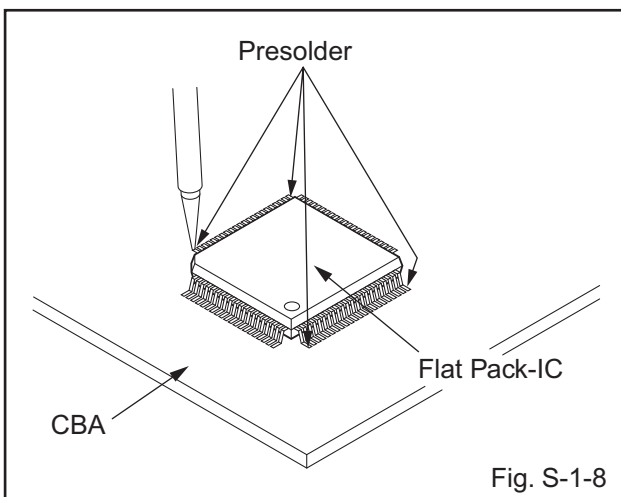
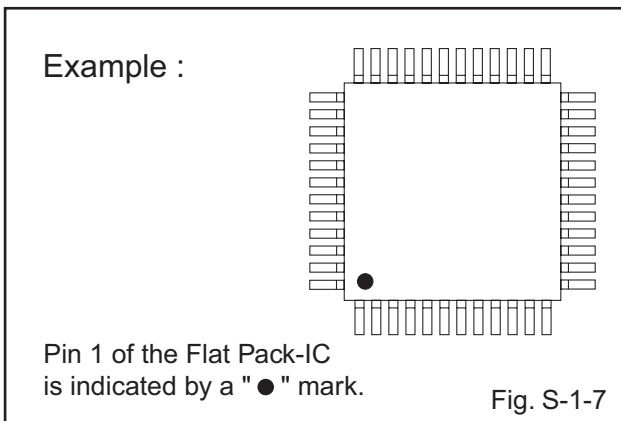
Note: When using a soldering iron, care must be taken to ensure that the flat pack-IC is not being held by glue. When the flat pack-IC is removed from the CBA, handle it gently because it may be damaged if force is applied.



Standard Notes for Servicing, Lead Free Requirements & Handling Flat Pack IC

2. Installation

1. Using desoldering braid, remove the solder from the foil of each pin of the flat pack-IC on the CBA so you can install a replacement flat pack-IC more easily.
2. The "●" mark on the flat pack-IC indicates pin 1. (See Fig. S-1-7.) Be sure this mark matches the 1 on the PCB when positioning for installation. Then presolder the four corners of the flat pack-IC. (See Fig. S-1-8.)
3. Solder all pins of the flat pack-IC. Be sure that none of the pins have solder bridges.



Instructions for Handling Semi-conductors

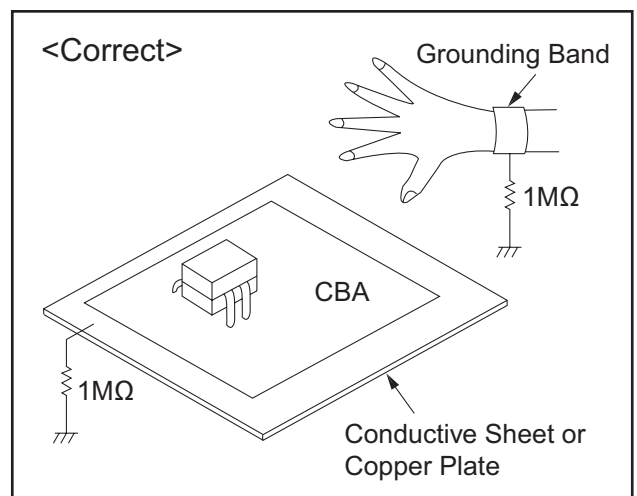
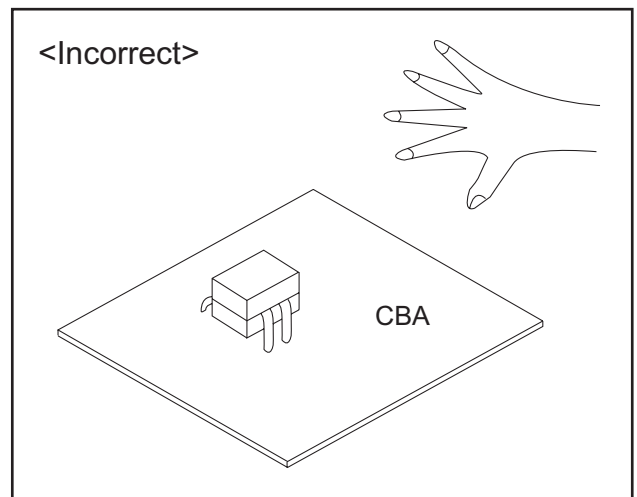
Electrostatic breakdown of the semi-conductors may occur due to a potential difference caused by electrostatic charge during unpacking or repair work.

1. Ground for Human Body

Be sure to wear a grounding band (1 M Ω) that is properly grounded to remove any static electricity that may be charged on the body.

2. Ground for Workbench

Be sure to place a conductive sheet or copper plate with proper grounding (1 M Ω) on the workbench or other surface, where the semi-conductors are to be placed. Because the static electricity charge on clothing will not escape through the body grounding band, be careful to avoid contacting semi-conductors with your clothing.

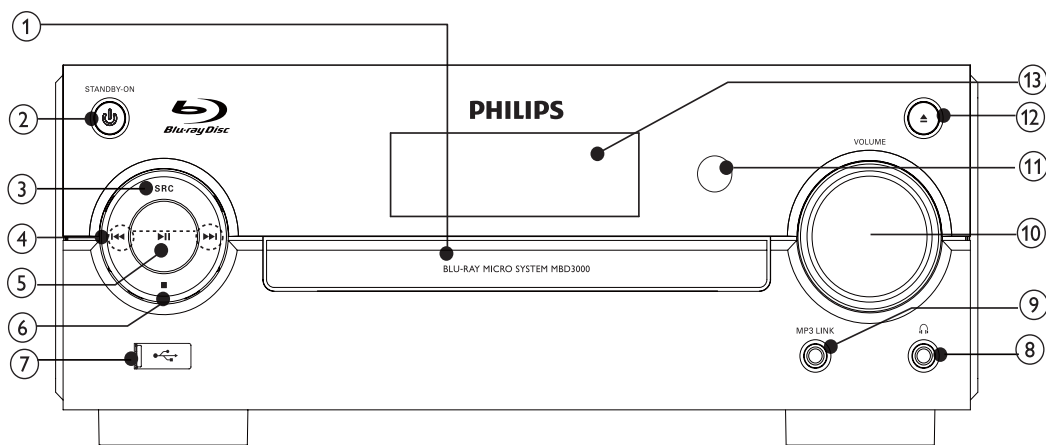


Direction of Use

*The following excerpt of the DFU/QSG serves as an introduction to the set. The Complete Direction for Use can be download in different languages from the internet site of Philips Customer care Center : www.Support.philips.com

Product overview

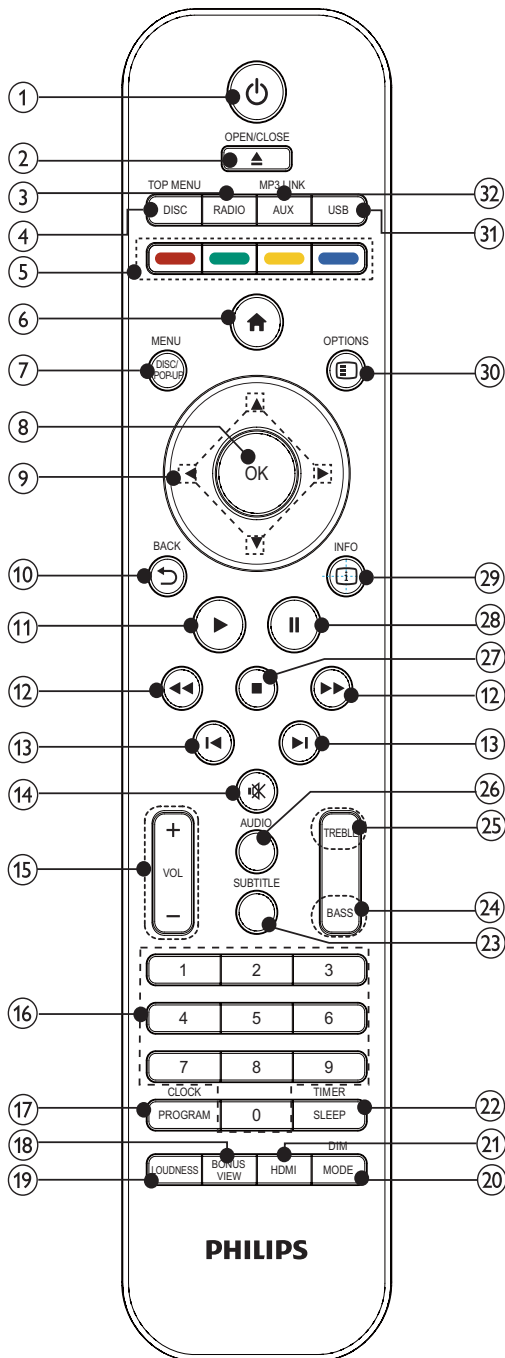
Main unit



- | | |
|---|---|
| ① Disc compartment | ⑧ Headphone socket. |
| ② STANDBY-ON | ⑨ MP3 LINK |
| • Turn on this product or switch to the Eco Power standby mode. | • Connect to an external audio device. |
| ③ SRC | ⑩ VOLUME |
| • Select a source. | • Adjust volume. |
| ④ | • Adjust time. |
| • Skip to the previous/next track. | ⑪ IR sensor |
| • Skip to the previous/next title or chapter. | • Detect signals from the remote control. Always point the remote control at the IR sensor. |
| • Tune to a radio station. | |
| ⑤ | ⑫ |
| • Start or pause play. | • Open or close the disc compartment. |
| ⑥ | ⑬ Display panel |
| • Stop play. | |
| • Erase a program. | |
| ⑦ | |
| • Connect to a USB flash drive. | |

Direction of Use






Remote control



- ①
 - Turn on this product or switch to the Eco Power standby mode.
 - When EasyLink is enabled, press and hold for at least three seconds to turn all connected HDMI CEC compliant devices to standby.
- ② OPEN/CLOSE
 - Open or close the disc compartment.
- ③ RADIO
 - Switch to FM radio.
- ④ DISC/TOP MENU
 - Switch to the disc source.
 - BD: Display the top menu.
 - DVD: Display the title menu.
- ⑤ Color buttons
 - BD: Select tasks or options.
- ⑥
 - Access the home menu of this product.
- ⑦ DISC/POP-UP/MENU
 - BD: Access or exit the pop-up menu.
 - DVD: Access or exit the disc menu.
- ⑧ OK
 - Confirm an entry or selection.
- ⑨
 - Navigate through the menus.
 - : Search forward or backward for a radio station.
 - : Tune to a radio station.
- ⑩ BACK
 - Return to a previous display menu.
- ⑪
 - Start or resume play.
- ⑫
 - Search backward or forward.
- ⑬
 - Skip to the previous or next title, chapter, or track.

Direction of Use

Remote control

- ⑭  Mute or restore volume.
- ⑮ VOL +/-
 - Adjust volume.
 - Adjust time.
- ⑯ Alphanumeric buttons
 - Select an item to play.
 - Enter values.
- ⑰ PROGRAM/CLOCK
 - Program radio stations.
 - Set the clock.
 - Display the set clock (unavailable in the tuner mode).
- ⑱ BONUSVIEW
 - Turn on or off the secondary video in a small screen window during play (applicable only to a Blu-ray disc that supports the BONUSVIEW or Picture-In-Picture feature).
- ⑲ LOUDNESS
 - Turn on or off automatic loudness adjustment.
- ⑳ MODE/DIM
 - Select repeat play modes.
 - Select shuffle play modes.
 - Select a brightness level for the display panel on the main unit.
- ㉑ HDMI
 - Select the video resolution of HDMI output.
- ㉒ SLEEP/TIMER
 - Set the sleep timer.
 - Set the alarm timer.
- ㉓ SUBTITLE
 - Select a subtitle language on a disc.
- ㉔ BASS
 - Adjust bass level.
- ㉕ TREBLE
 - Adjust treble level.
- ㉖ AUDIO
 - Select an audio language or channel on a disc.
- ㉗  Stop play.
 - Move the paused picture one step forward.
- ㉘  Pause play.
- ㉙  INFO
 - Display the current status or the disc information.
 - Display the ID3 information (if available) of MP3 tracks.
- ㉚  OPTIONS
 - Access options for the current activity or selection.
- ㉛ USB
 - Switch to the USB input source.
- ㉜ AUX/MP3 LINK
 - Switch to the AUX/MP3 Link input source.

3 Connect

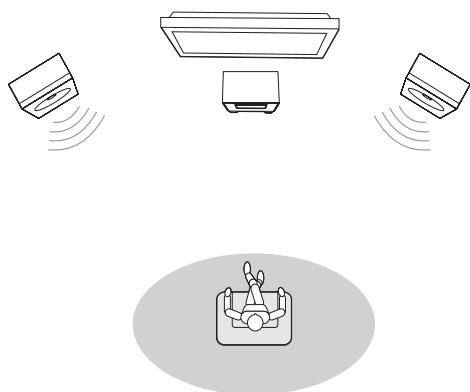
Make the following connections to use this product.

Preparations

- 1 Place the apparatus near to the TV.
- 2 Place the front left and right speakers at equal distance from the TV and at an angle of approximately 45 degrees from the listening position.

Note

- To avoid magnetic interference or unwanted noise, never place this apparatus and speakers too close to any radiation devices.



Basic connections:

- Speakers
- Video
- Audio
- Power

Optional connections:

- Route audio to other devices
- HDMI-compliant AV receiver/amplifier
- Multi-channel AV amplifier/receiver
- Digital AV amplifier/receiver

- Analog stereo system
- FM antenna
- USB flash drive
- Wired/Wireless network

Note

- Refer to the type plate at the back or bottom of the product for identification and supply ratings.
- Before you make or change any connections, ensure that all the devices are disconnected from the power outlet.

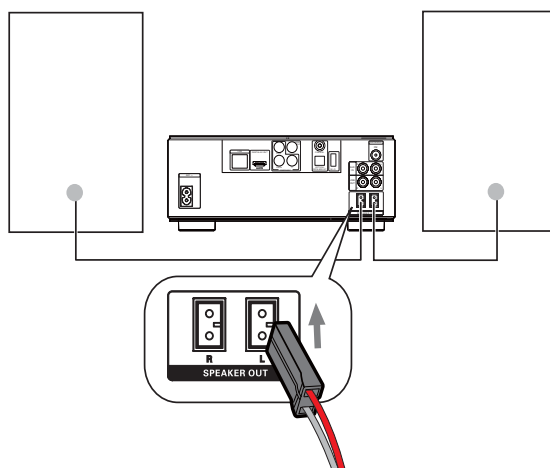
Connect speakers

Note

- Insert the stripped portion of each speaker wire into the socket completely.
- For optimal sound, use the supplied speakers only.
- Connect only speakers with impedance that is the same or higher than the supplied speakers.

For the main unit side:

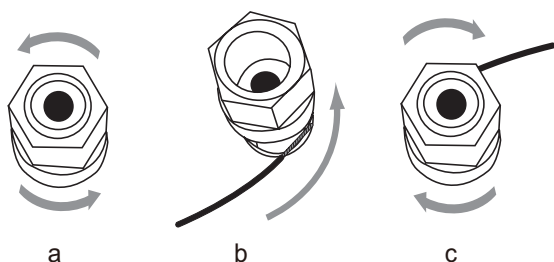
- 1 Match the type and colors of the speaker cable connectors to the speaker input sockets on the back of the main unit.
- 2 Connect the speaker cables.



Direction of Use

For the speaker side:

- 1 Unscrew the speaker connectors.
- 2 For the left speaker, identify the speaker cable that is connected to the left connectors on the main unit.
- 3 Insert fully the red end of the speaker cable into the red (+) connector.
- 4 Screw the red (+) connector to secure the cable.
- 5 Insert fully the silver end of the speaker cable into the black (-) connector.
- 6 Screw the black (-) connector to secure the cable.
- 7 Repeat steps 2-6 for the right speaker.

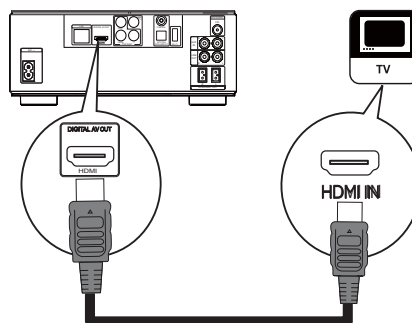


Connect video/audio cables

Select the best video connection that the TV can support.

- Option 1: Connect to the HDMI jack (for an HDMI, DVI or HDCP-compliant TV).
- Option 2: Connect to the component video jacks (for a standard TV or Progressive Scan TV).
- Option 3: Connect to the composite video jack (for a standard TV).

Option 1: Connect to the HDMI jack

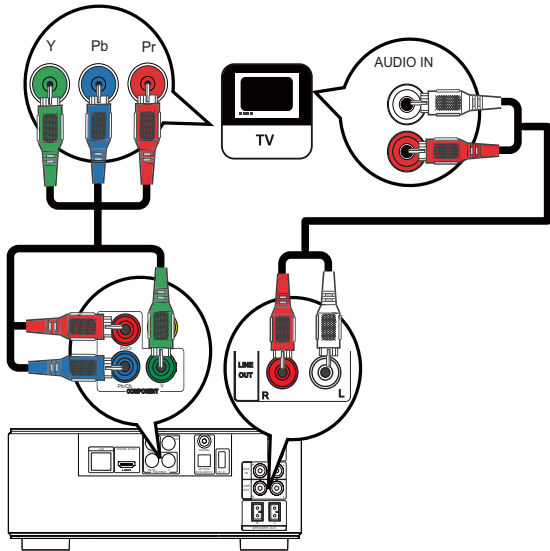


- 1 Connect an HDMI cable (not supplied) to:
 - the HDMI jack on this product.
 - the HDMI input jack on the TV.

Tip

- If the TV has a DVI connector only, connect via an HDMI/DVI adaptor. Connect an audio cable for sound output.
- You can optimize the video output. Press the HDMI button repeatedly to select the best resolution the TV can support.
- If this product connects to a TV compatible with 1080p or 1080p/24Hz, Philips recommends HDMI category 2 cable, also known as High Speed HDMI cable, for optimal video and audio output.
- To play the digital video images of a BD-video or DVD-video via an HDMI connection, it is necessary that both this product and the display device (or an AV receiver/amplifier) support a copyright protection system called HDCP (high-bandwidth digital content protection system).
- This type of connection provides best picture quality.

Option 2: Connect to the component video jacks

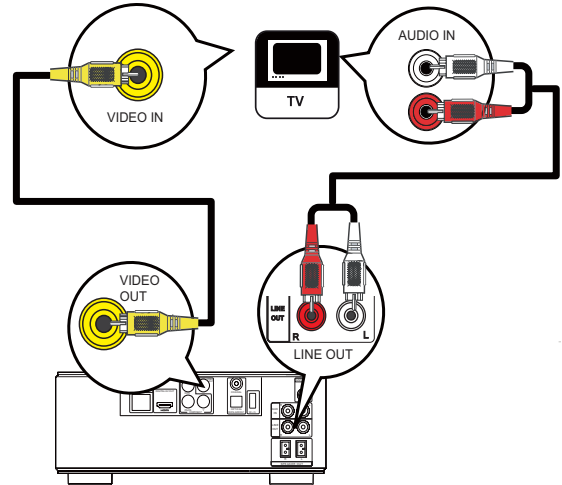


- 1 Connect the component video cables (not supplied) to:
 - the Y Pb/Cb Pr/Crjacks on this product.
 - the COMPONENT VIDEO input jacks on the TV.
- 2 Connect the audio cables to:
 - the LINE OUT/AUDIO -L/Rjacks on this product.
 - the AUDIO input jacks on the TV.

 Tip

- The component video input jack on the TV might be labeled as Y Pb Pr or YUV.

Option 3: Connect to the composite video jack



- 1 Connect a composite video cable to:
 - the VIDEOjack on this product.
 - the VIDEO input jack on the TV.
- 2 Connect the audio cables to:
 - the LINE OUT/AUDIO -L/Rjacks on this product.
 - the AUDIO input jacks on the TV.

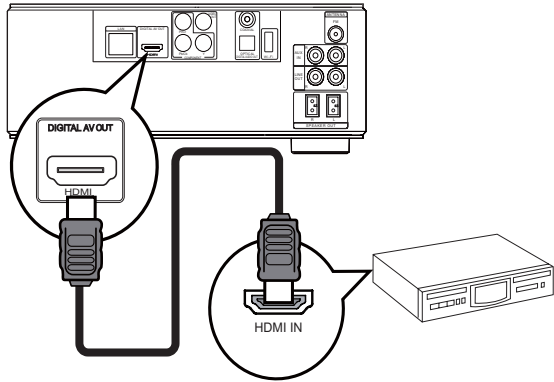
 Tip

- The video input jack on the TV might be labeled as A/V IN, VIDEO IN, COMPOSITE or BASEBAND.

Route audio to other devices

You can route the audio from this product to other devices.

Connect to an HDMI-compliant AV receiver/amplifier



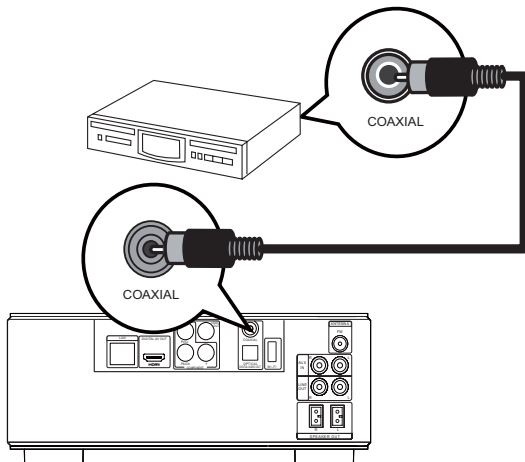
- 1 Connect an HDMI cable (not supplied) to:
 - the HDMI jack on this product.
 - the HDMI jack input jack on the device.

 Tip

- The HDMI connection provides best audio quality.

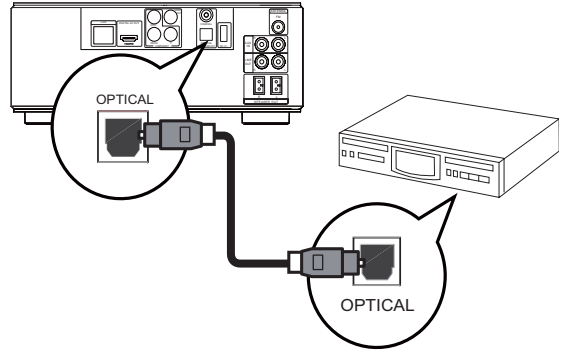
Connect to a digital AV amplifier/receiver

Connect to coaxial jack



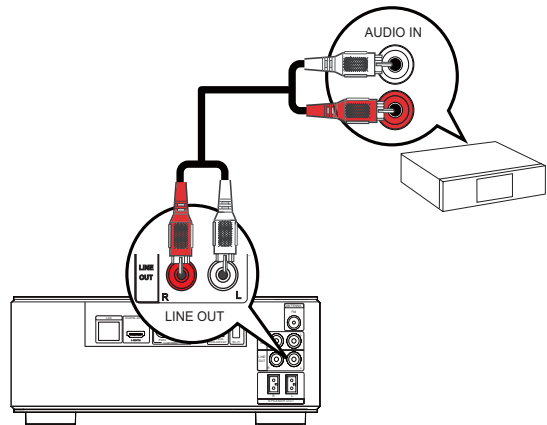
- 1 Connect a coaxial cable (not supplied) to:
 - the COAXIAL jack on this product.
 - the COAXIAL/DIGITAL input jack on the device.

Connect to optical jack



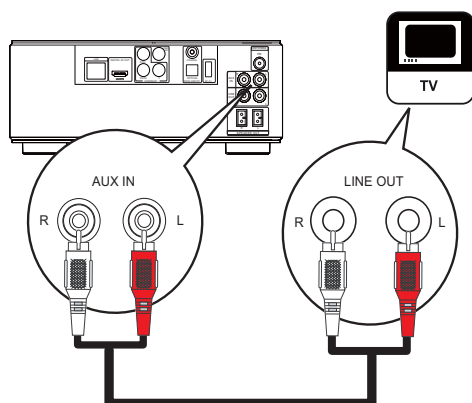
- 1 Connect an optical cable (not supplied) to:
 - the OPTICAL jack on this product.
 - the OPTICAL/DIGITAL input jack on the device.

Connect an analogue stereo system



- 1 Connect the audio cables to:
 - the LINE OUT/AUDIO -L/R jacks on this product.
 - the AUDIO input jacks on the device.

Connect audio from TV or other devices



Use this product to play audio from the TV or other device such as a cable box.



Tip

- Press AUX to select the audio output of your connection.

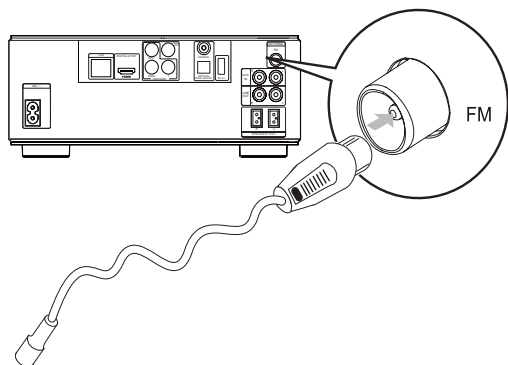
Connect FM antenna




Tip

- For optimal reception, fully extend and adjust the position of the antenna.
- For better FM stereo reception, connect an outdoor FM antenna to the FM jack.
- The unit does not support MW radio reception.



- 1 Connect the supplied FM wire antenna to the FM socket on the unit.



Connect a USB device

- 1 Connect a USB device to the  (USB) jack on the front panel of this product.

Note

- Press , and select [Browse USB] in the menu to access the content and play the files.
- Connect a USB device only to the  jack on the front panel of this product.
- Philips does not guarantee compatibility with all USB devices.

Connect a network

With a wired or wireless connection (see “Get started” > “Set up a network”), you can connect this product to the Internet for software update/BD Live.

Note

- Internet access to Philips website for software update may not be allowed, depending on the router you use or the Internet Service Provider’s policy. Contact your Internet Service Provider for more information.

Connect power

Caution

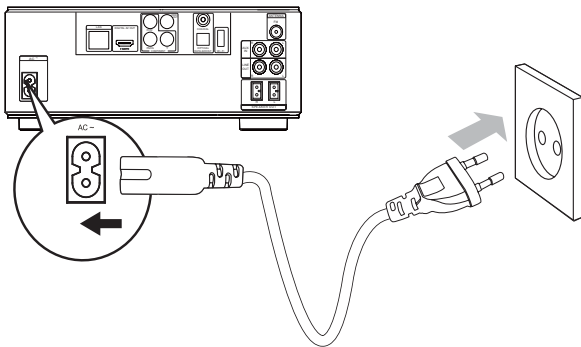
- Risk of product damage! Ensure that the power supply voltage corresponds to the voltage printed on the back of the unit.
- Before connecting the AC power cord, ensure you have completed all other connections.

Note

- The type plate is located on the bottom of the product.

Direction of Use

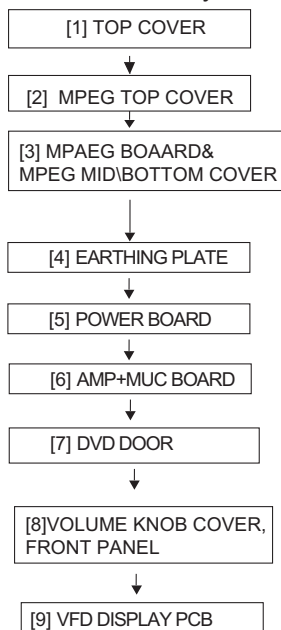
- 1 Connect the AC power cable to:
 - this product.
 - the wall socket.
 - This product is ready to be set up for use.



Cabinet Disassembly Instructions

1. Disassembly Flowchart

This flowchart indicates the disassembly steps to gain access to item(s) to be serviced. When reassembling, follow the steps in reverse order. Bend, route, and dress the cables as they were originally.



Note:

- (1) Identification (location) No. of parts in the figures
- (2) Name of the part
- (3) Figure Number for reference
- (4) Identification of parts to be removed, unhooked, unlocked, released, unplugged, unclamped, or desoldered.

0x = Screw, CNxx/Jxx/CONxx = Connector
 D3.5X12BA is specification of screw.

* = Unhook, Unlock, Release, Unplug, or Desolder
 e.g. 7(01) = seven Screws

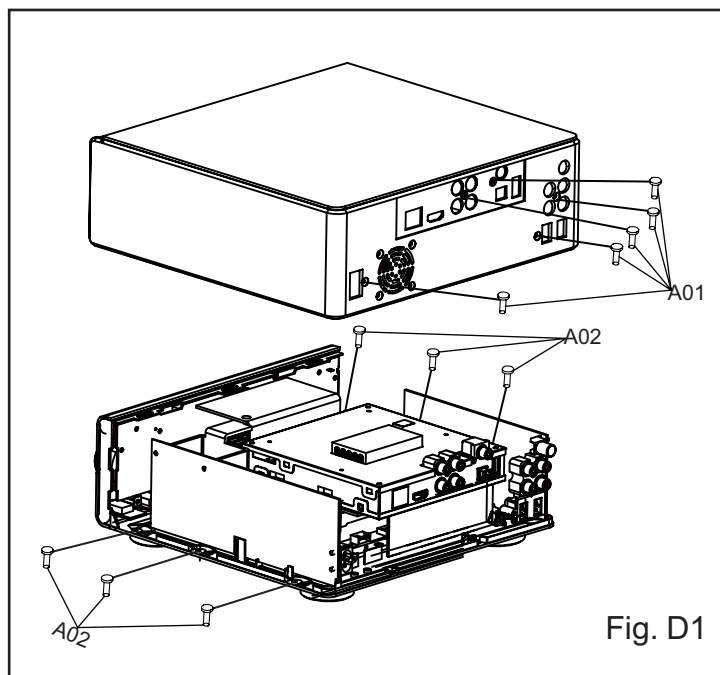


Fig. D1

2. Disassembly Method

ID/ Loc. No.	Part	Removal		
		Fig. No.	Remove/*Unhook/Unlock/Release/Unplug/Desolder	Note
[1]	TOP COVER	D1	5(A01) D3x10FA 6(A02) D3x8FT	
[2]	MPAEG BOARD & MPEG MID\ BOTTOM COVER	D3	4(A03) D3x8BTH,	
[3]	POWER BOARD	D5	1(A04) D3x6FMTT	
[4]	VOLUME KNOB COVER, FRONT PANEL	D8	3(A05) D3x8FT	
[5]	VFD DISPLAY PCB	D9	8 (A06) D3x8PA	

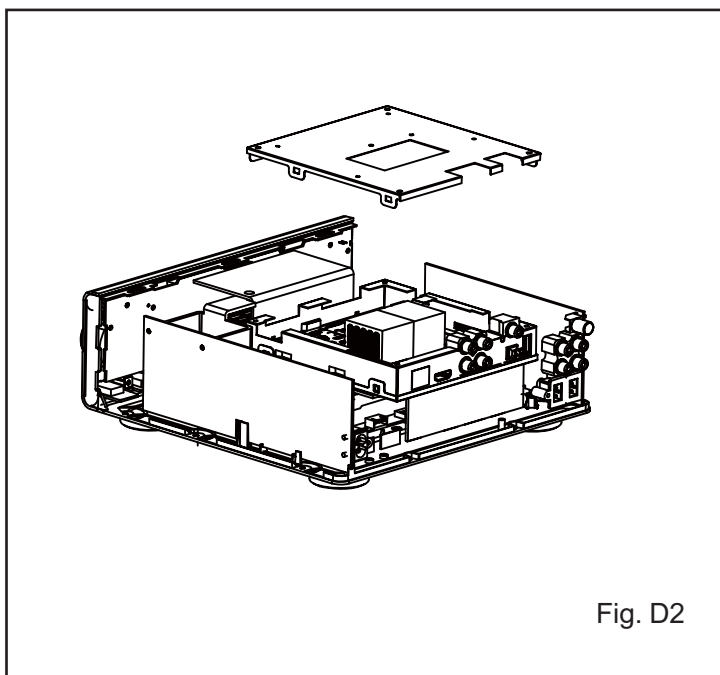
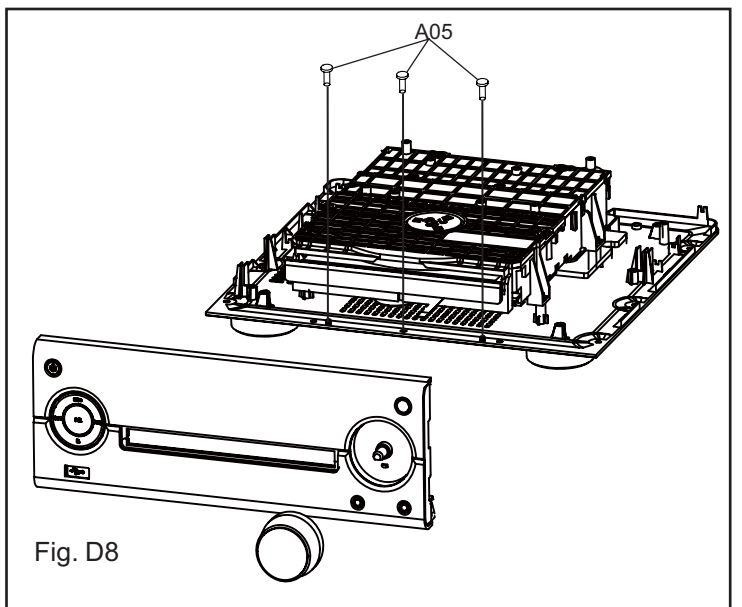
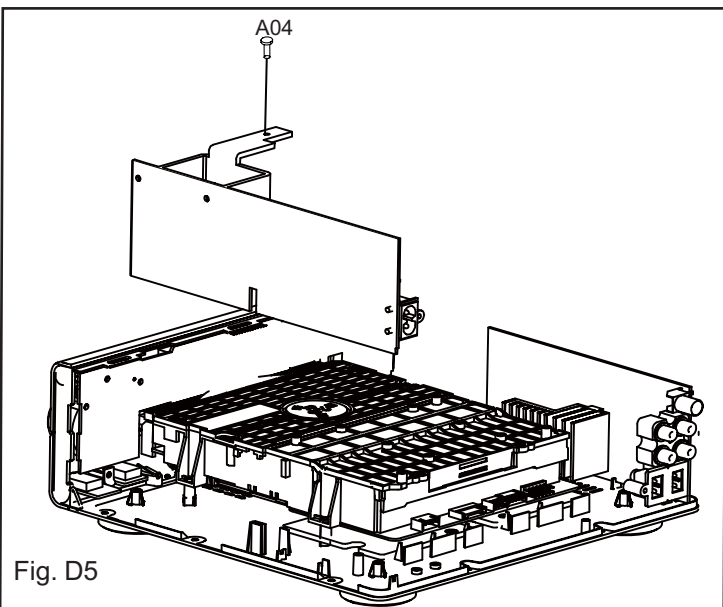
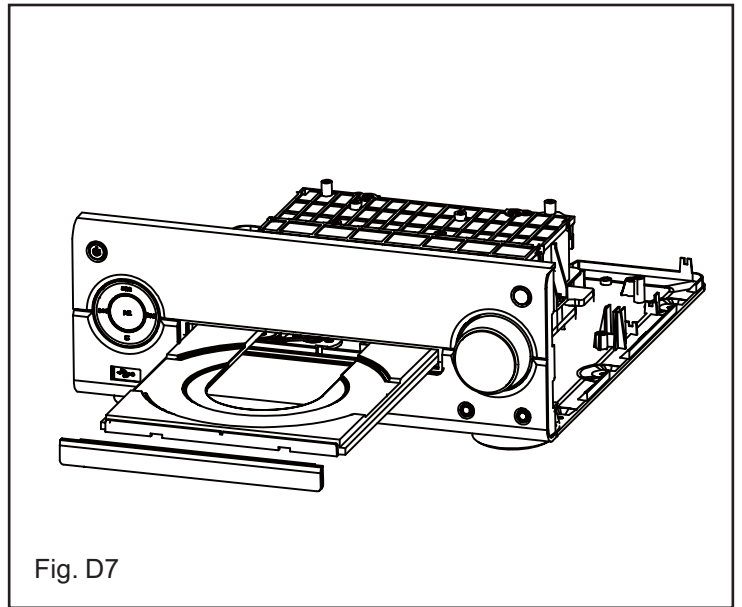
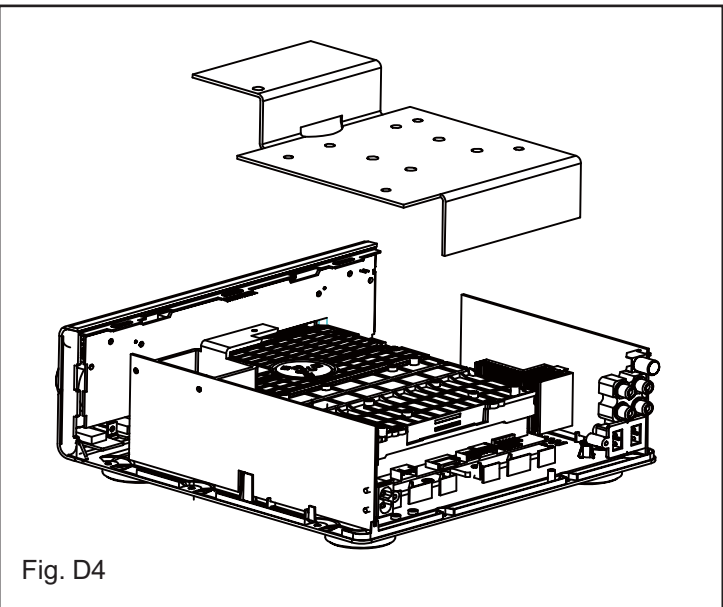
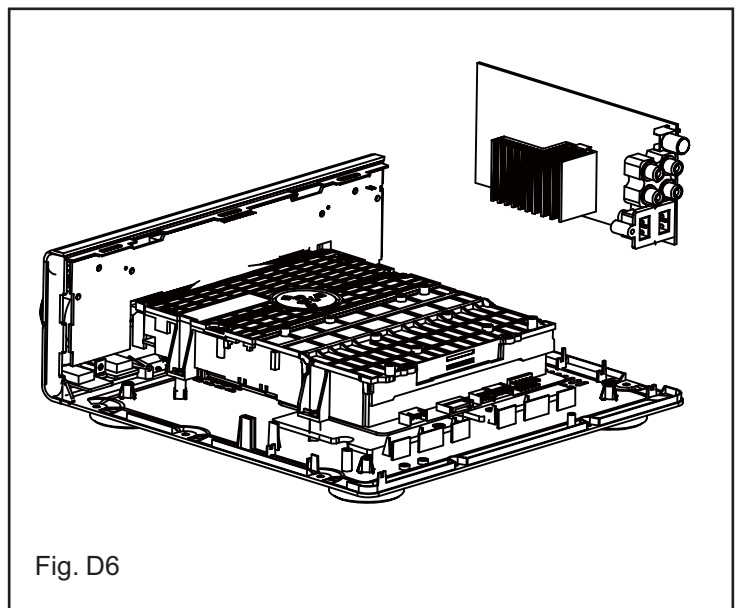
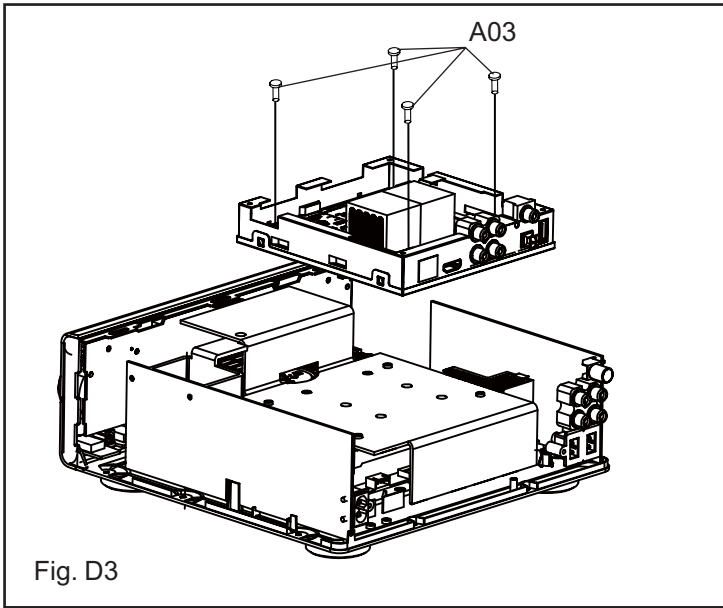
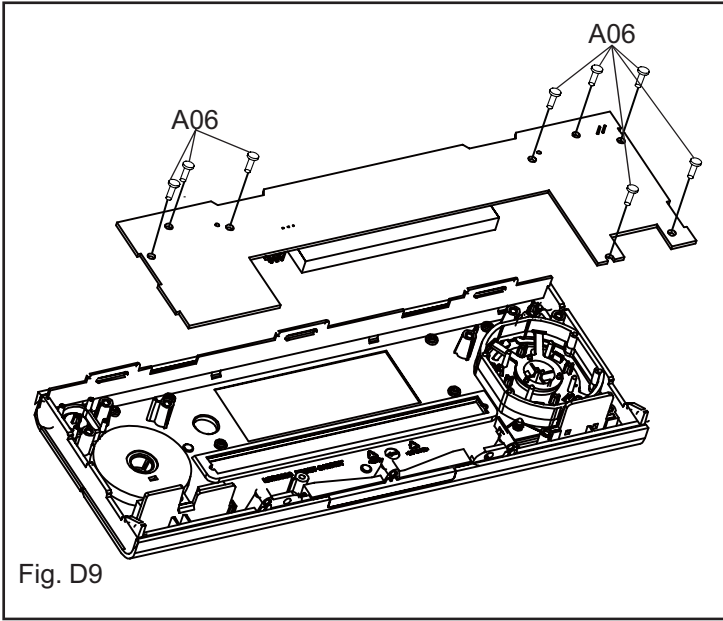


Fig. D2

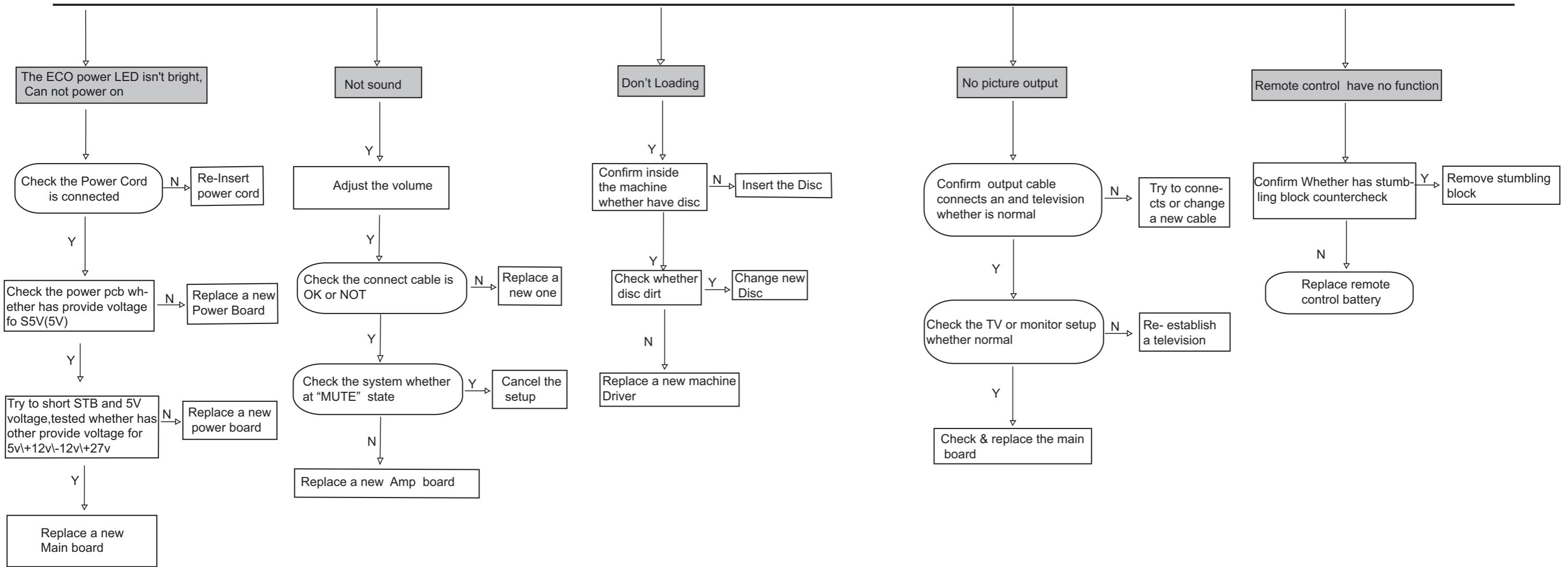
Cabinet Disassembly Instructions



Cabinet Disassembly Instructions



Troubleshooting



Software Upgrading Procedure

1. Download the Software from Philips support Website:

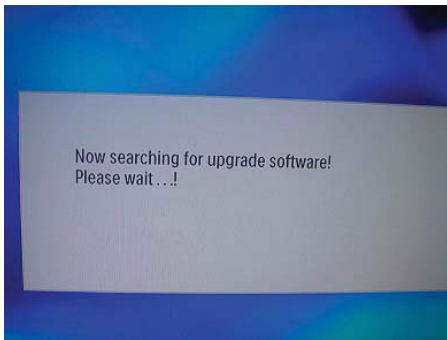
<http://www.philips.com/support>

2. Copy the Software upgrade file into USB device.

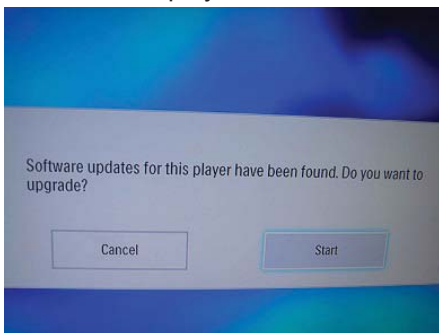
A. Connect to TV and Turn on Main Unit,
Select Upgrad from USB,TV Screen Display:



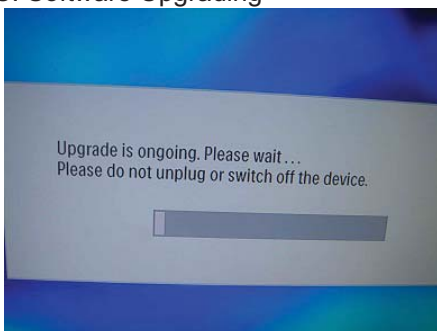
Press OK on Remote Control,
TV Screen Display:



B. Press OK on Remote Control,
TV Screen Display:



C. Software Upgrading



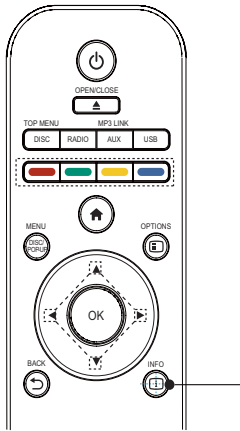
D. When Software Upgrading finish,TV screen display



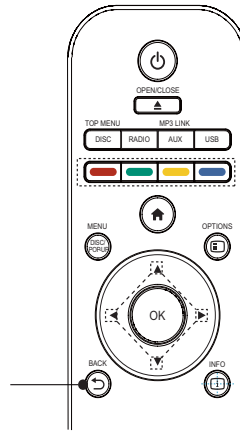
Software Upgrade finish.

Software Version Check

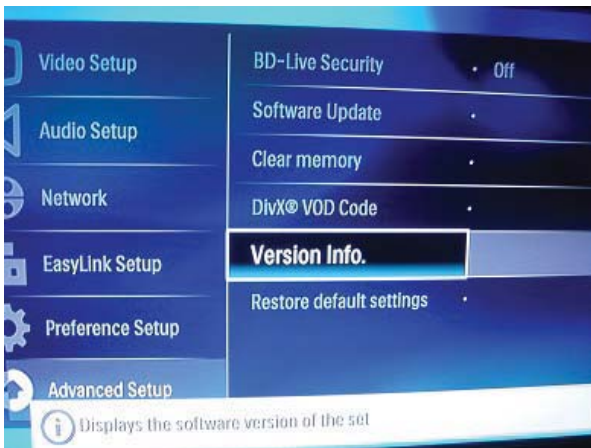
1. Select the "INFO", like below show:



4. Press BACK on Remote Control:



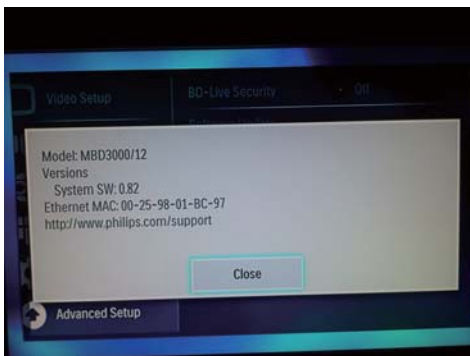
2. TV Screen Display,select Version Info.



TV Screen display:



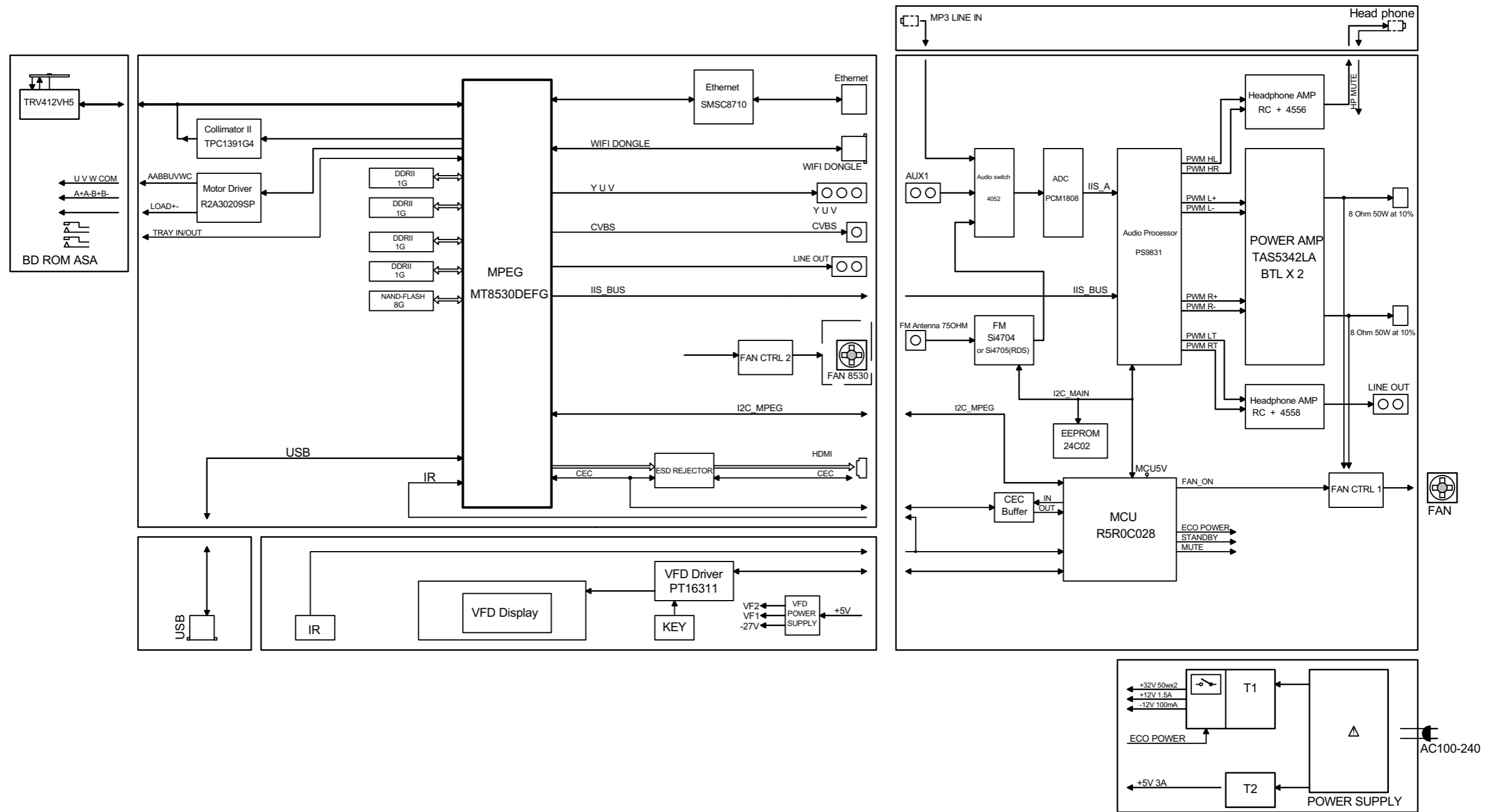
3. Select OK to get the Version information :



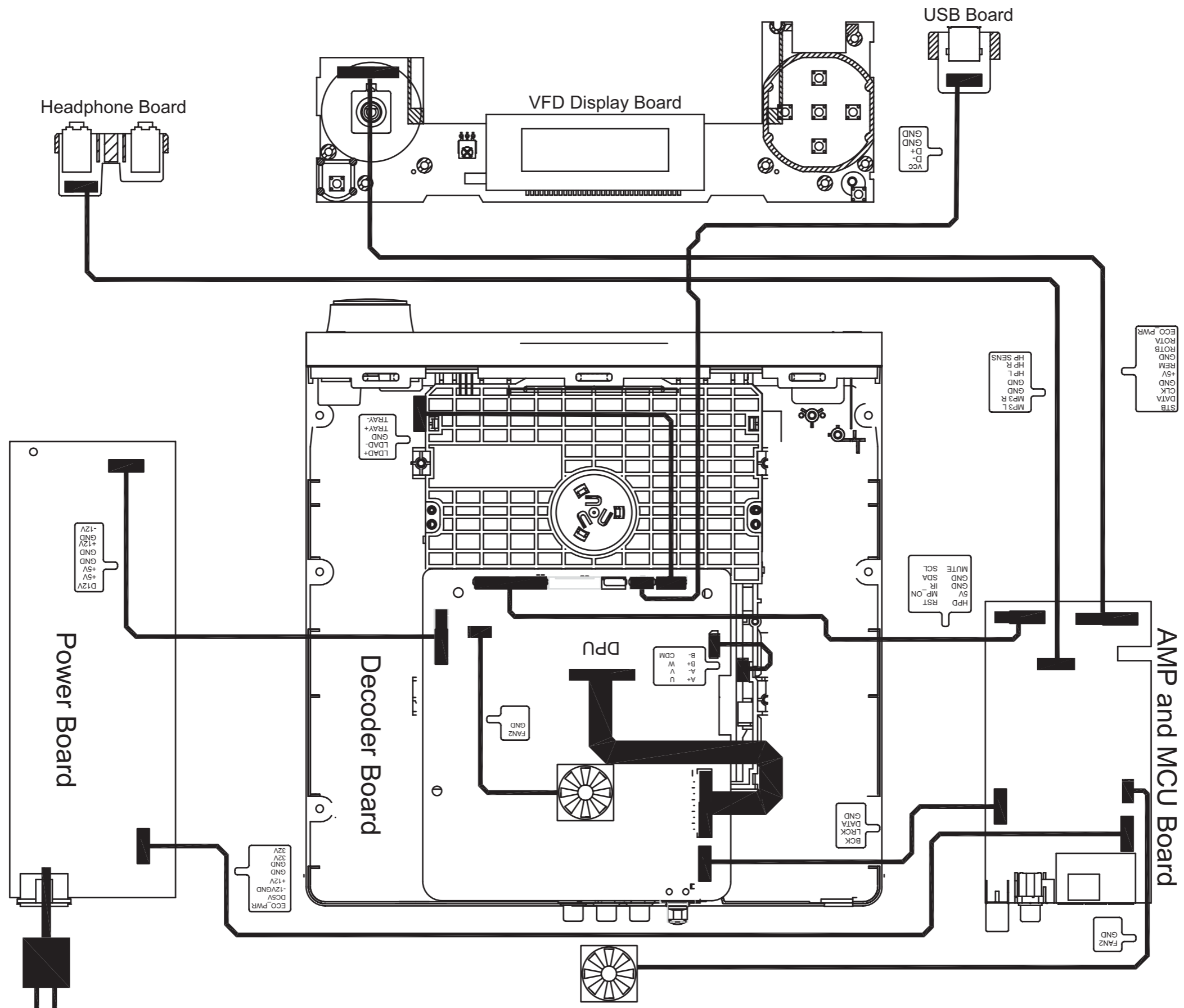
5. Press 8-5-2-0 on Remote Control,can find Software Version:

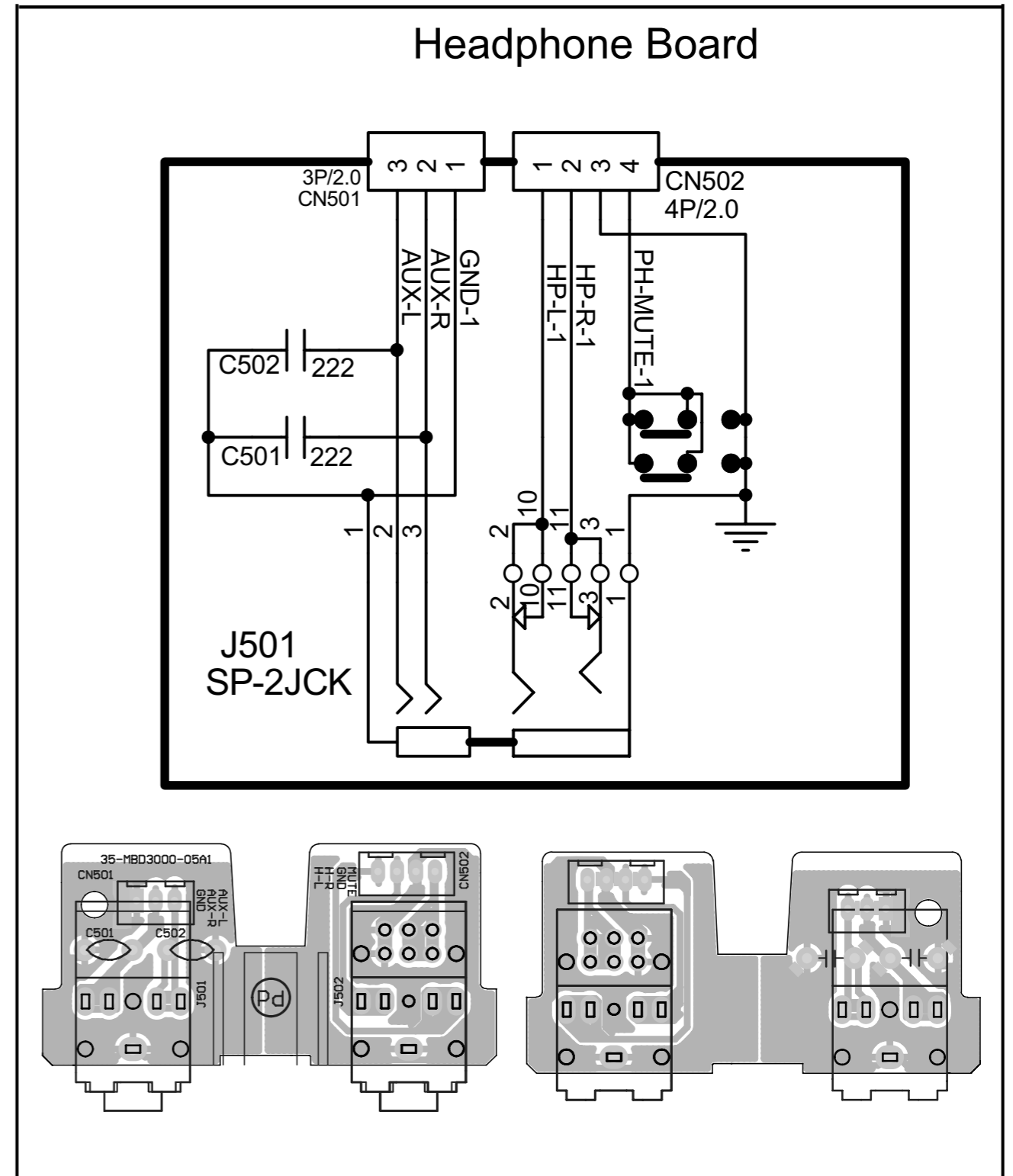
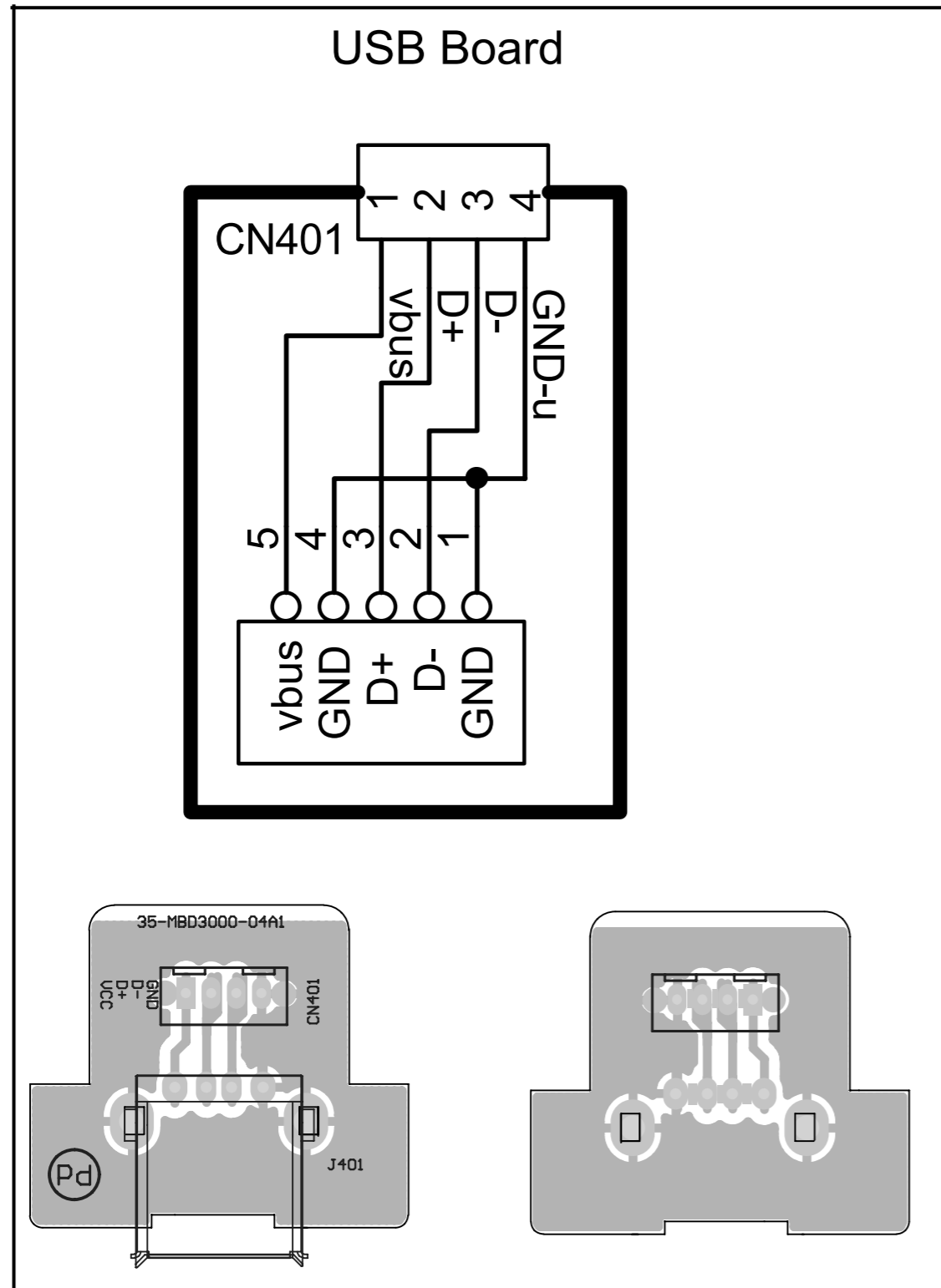


Block Diagram

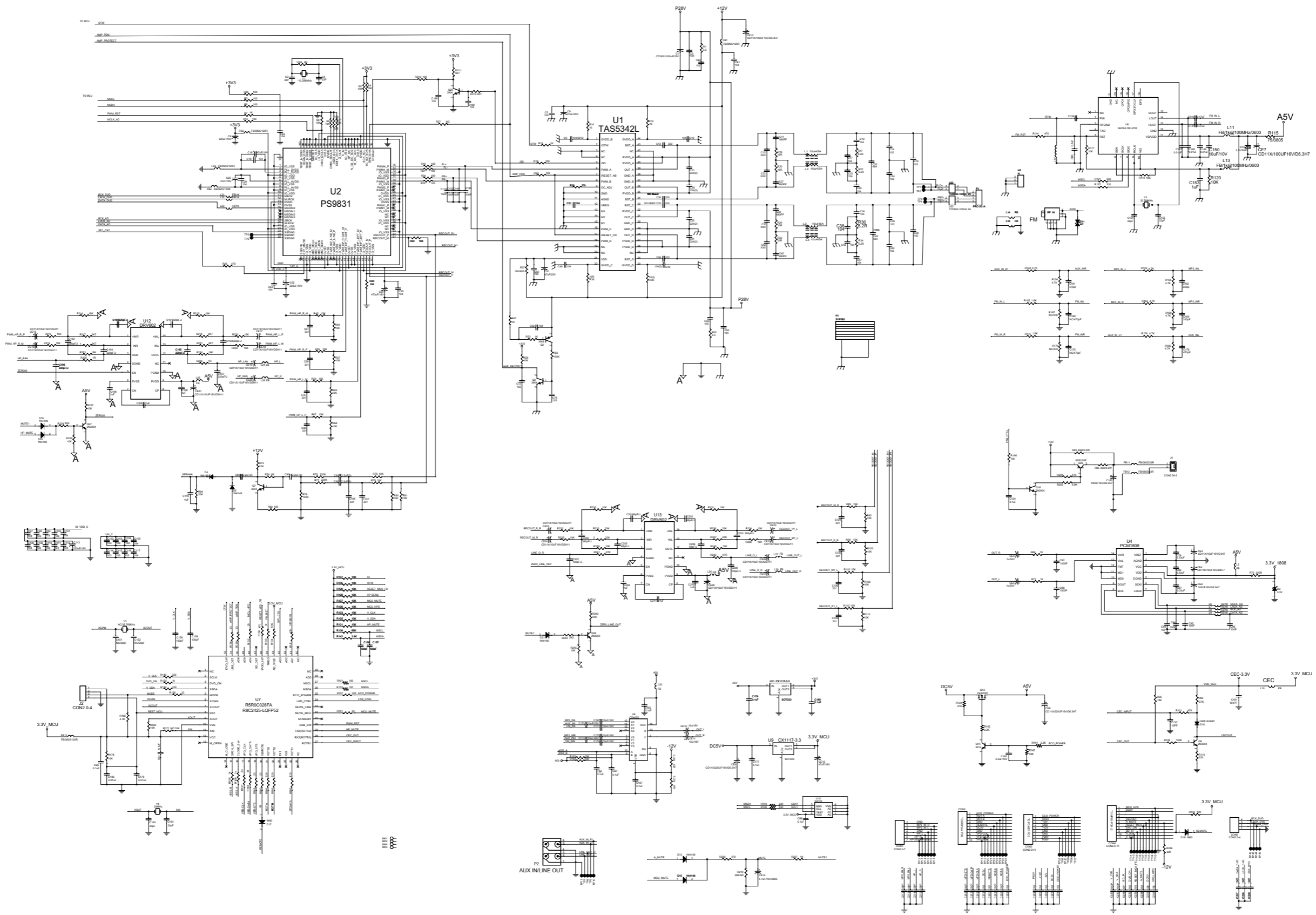


Wiring Diagram

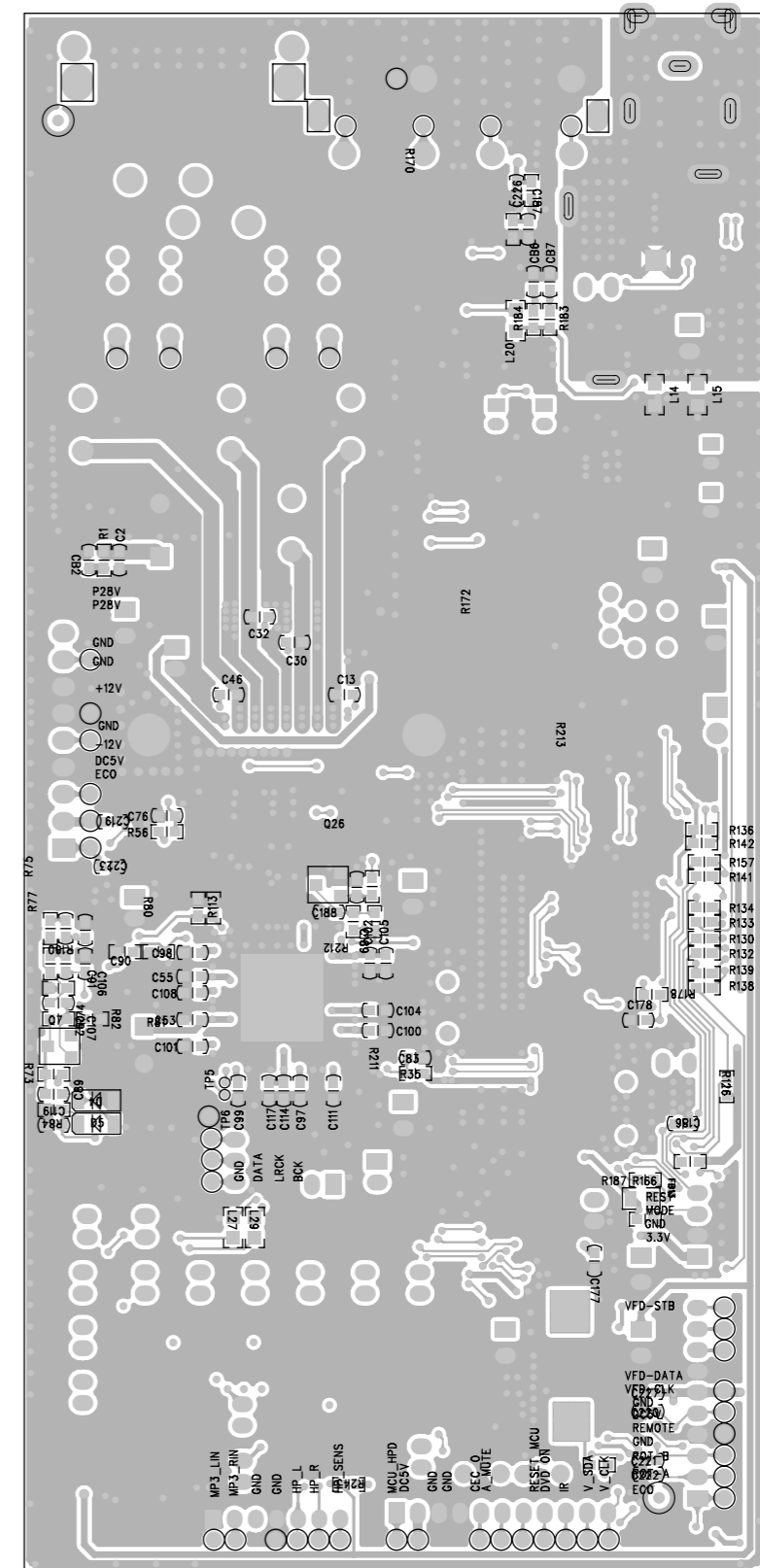
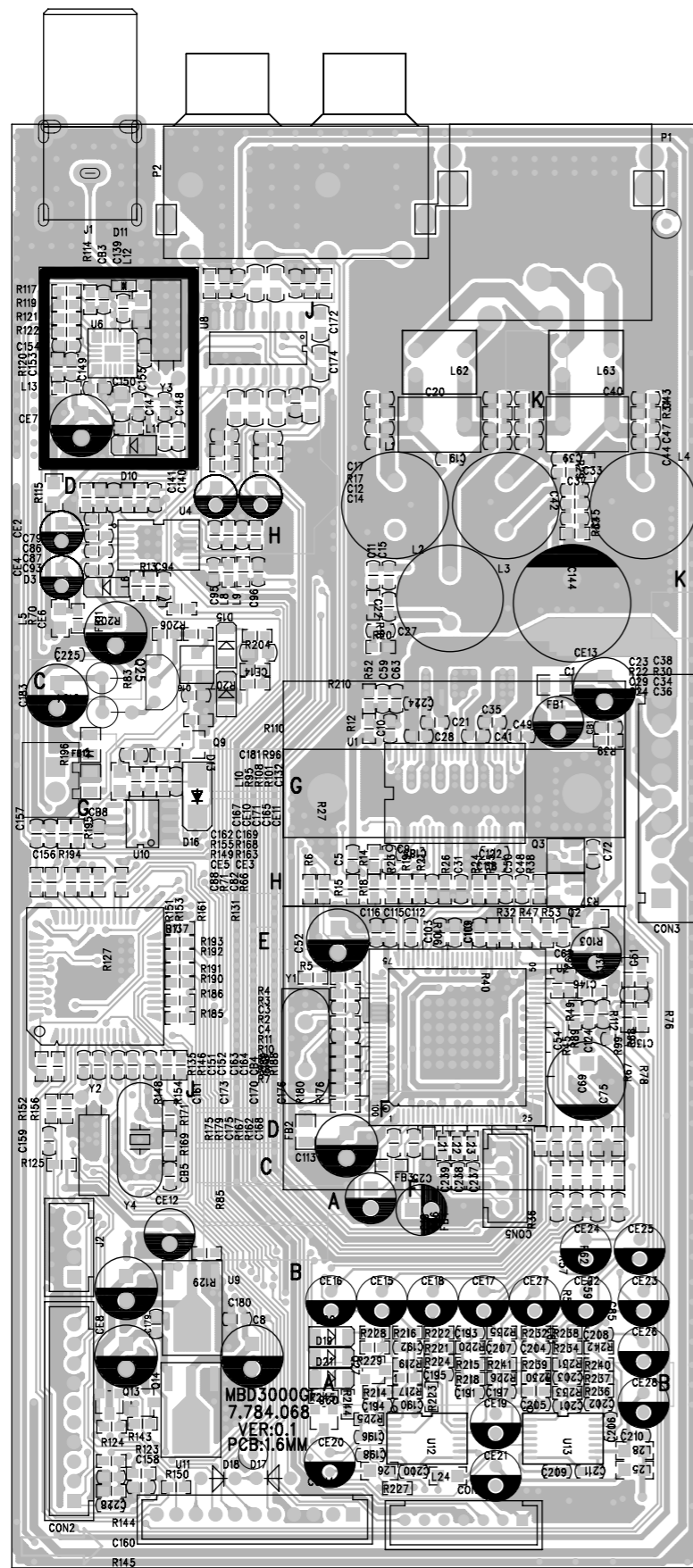




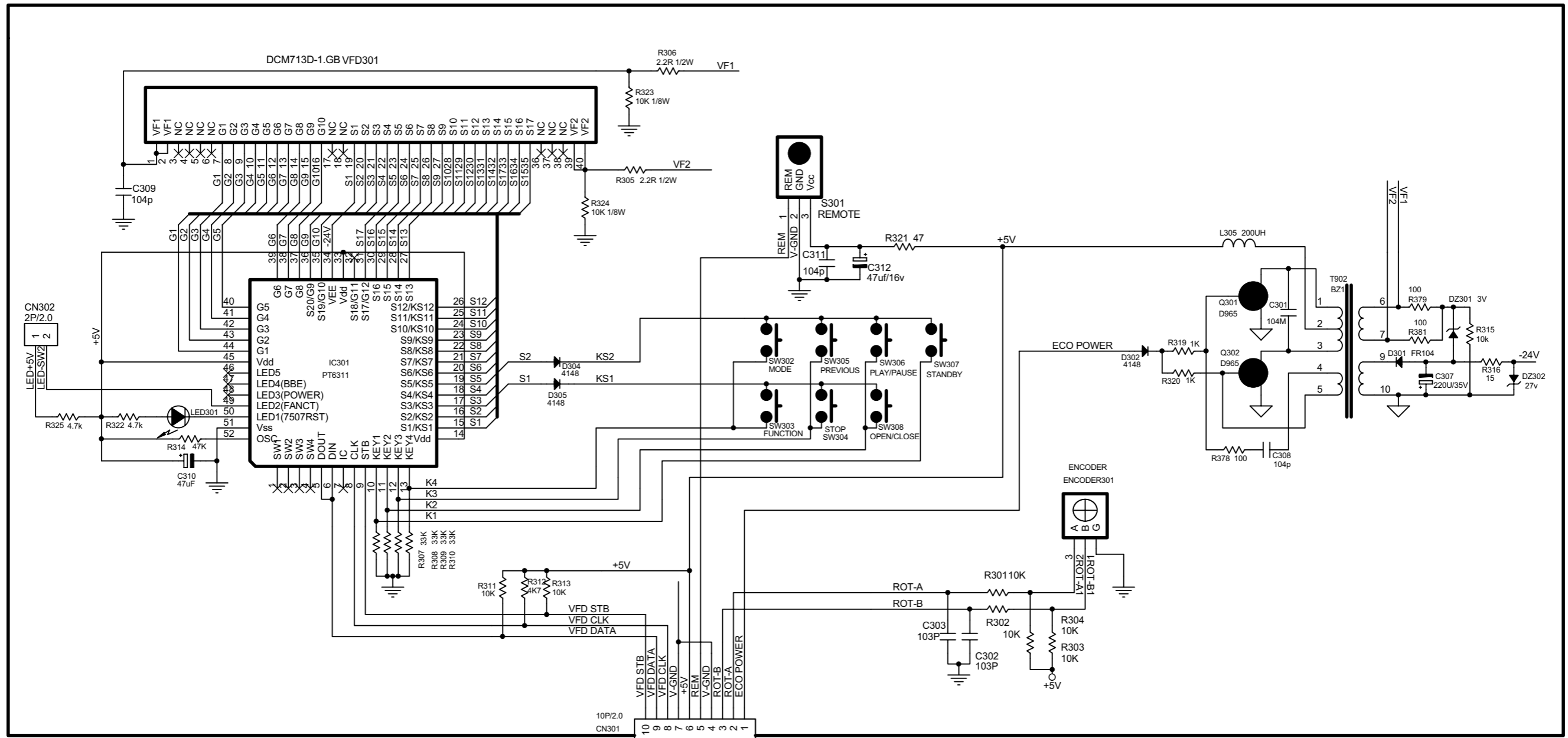
AMP & MCU Board -- Circuit Diagram



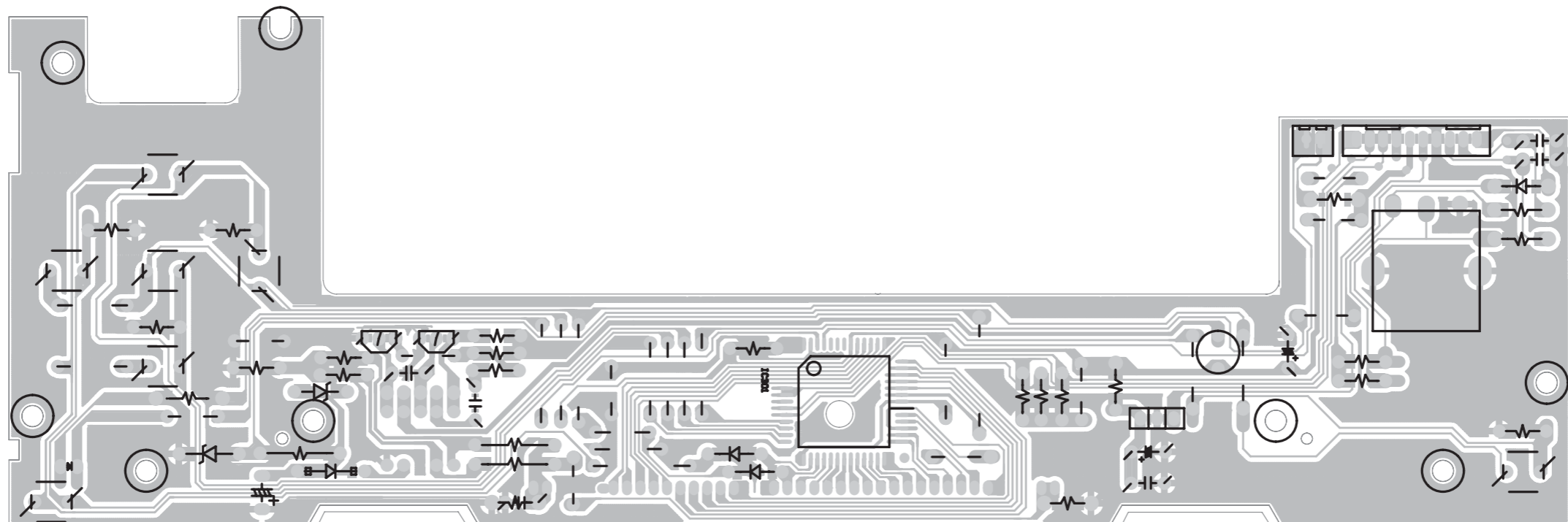
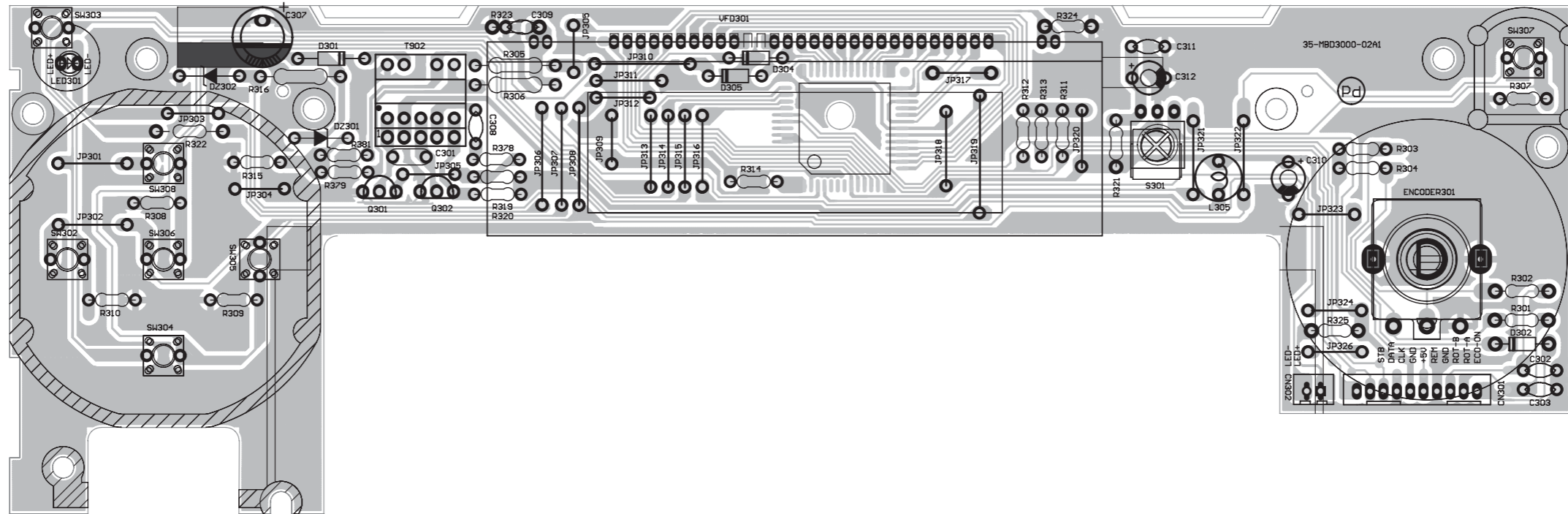
AMP and MCU Board -- Layout Diagram



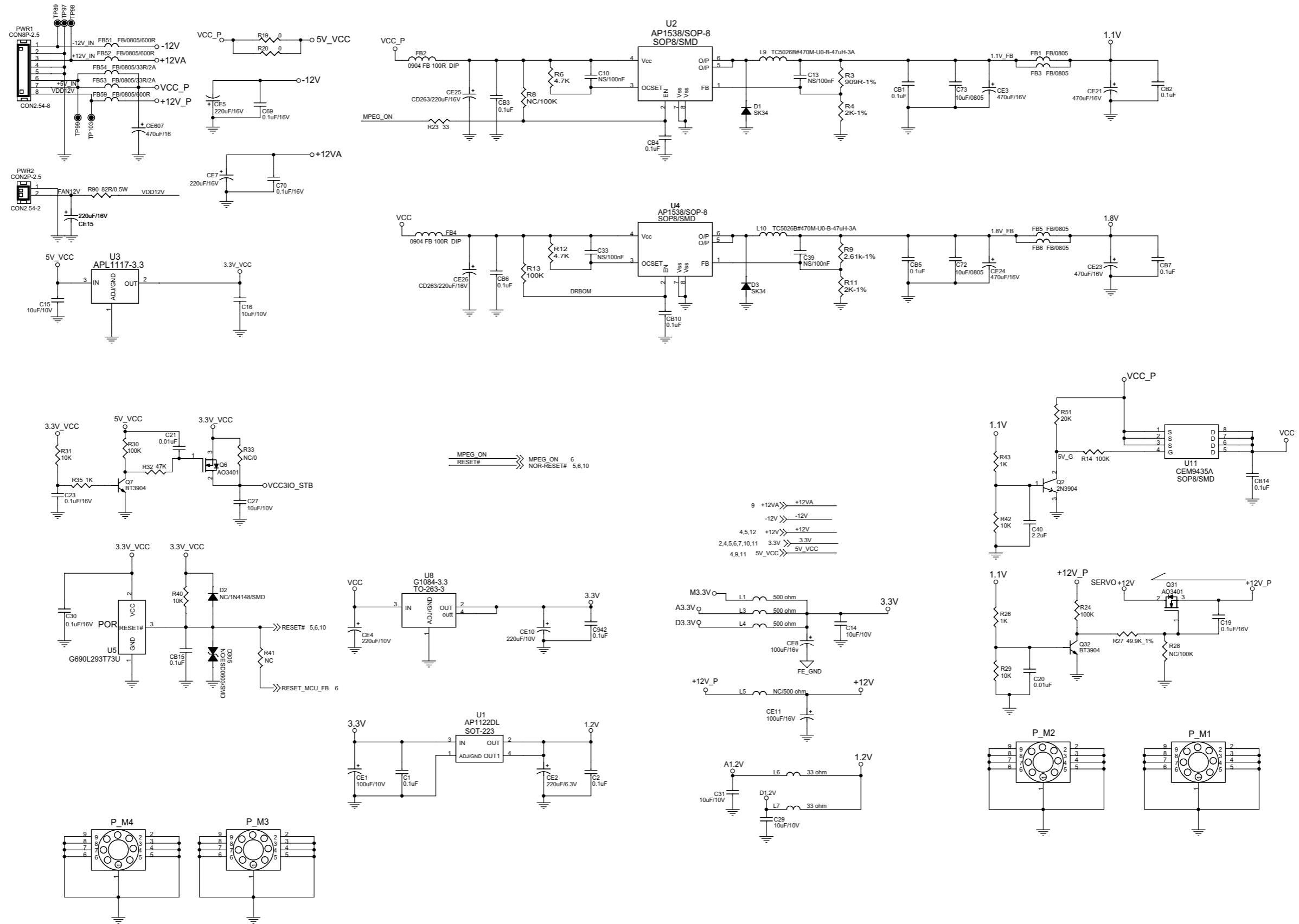
VFD Display Board -- Circuit Diagram



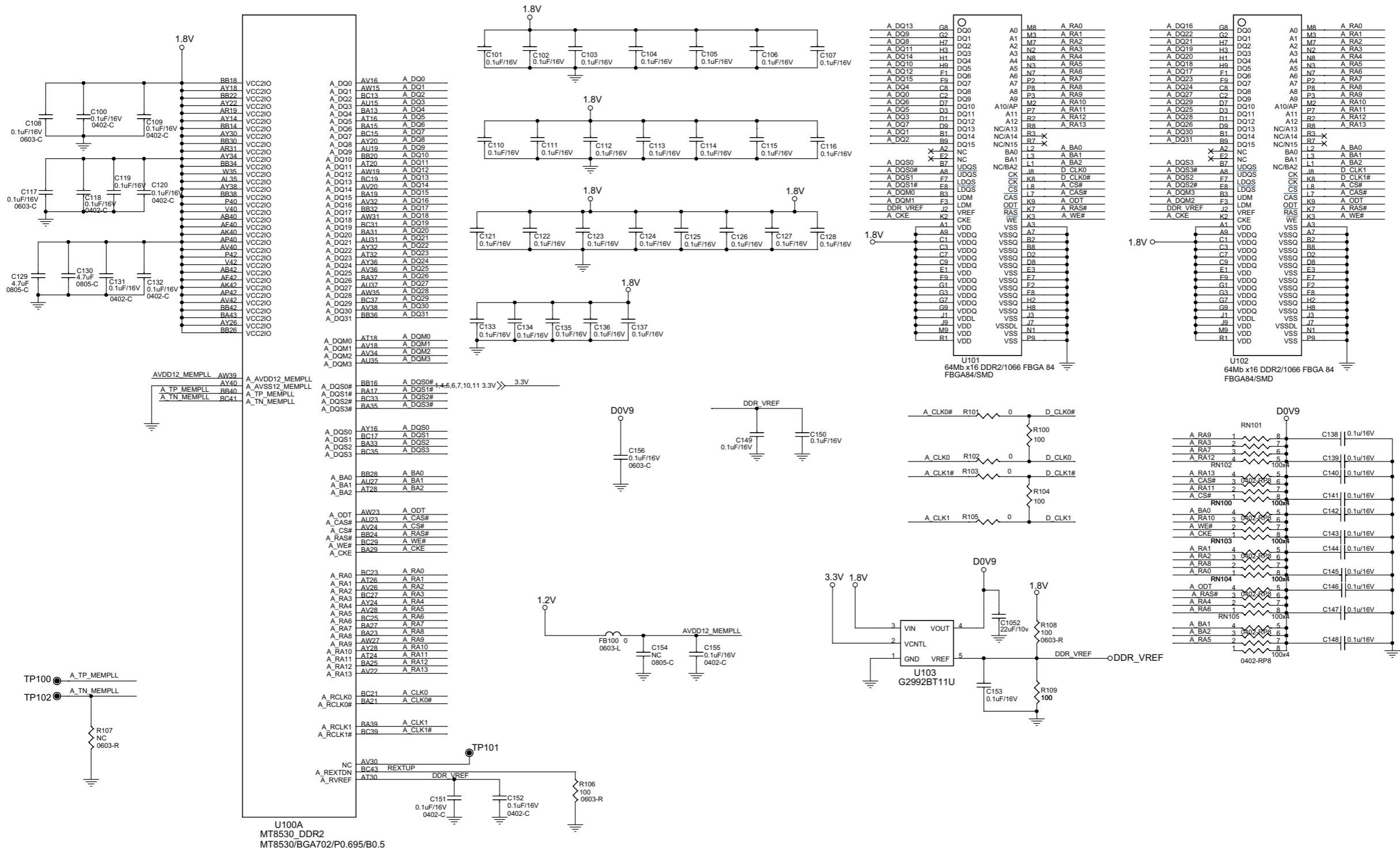
VFD Display Board -- Layout Diagram



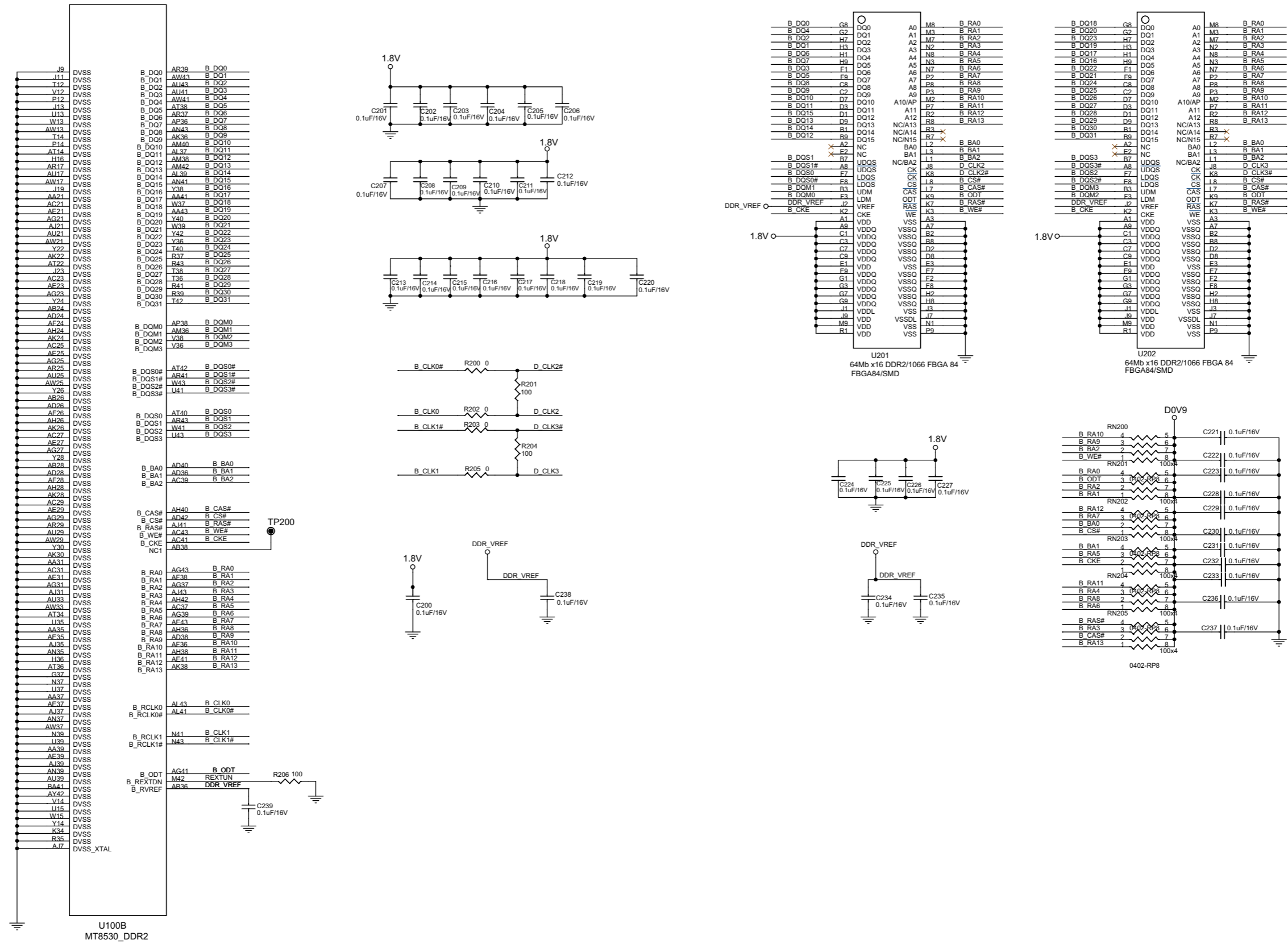
Decoder Board -- Circuit Diagram 1



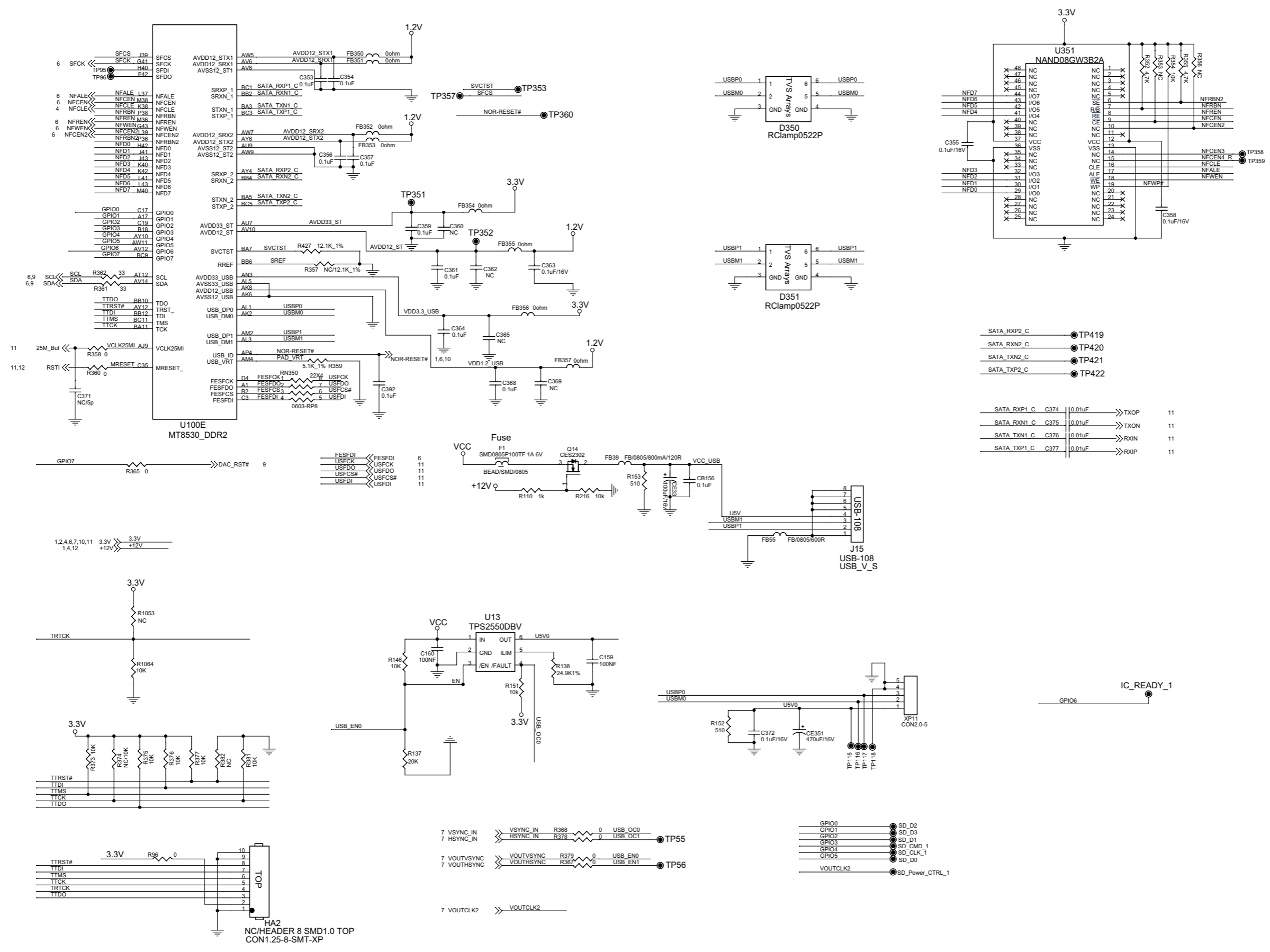
Decoder Board -- Circuit Diagram 2



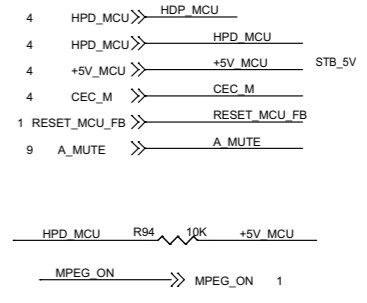
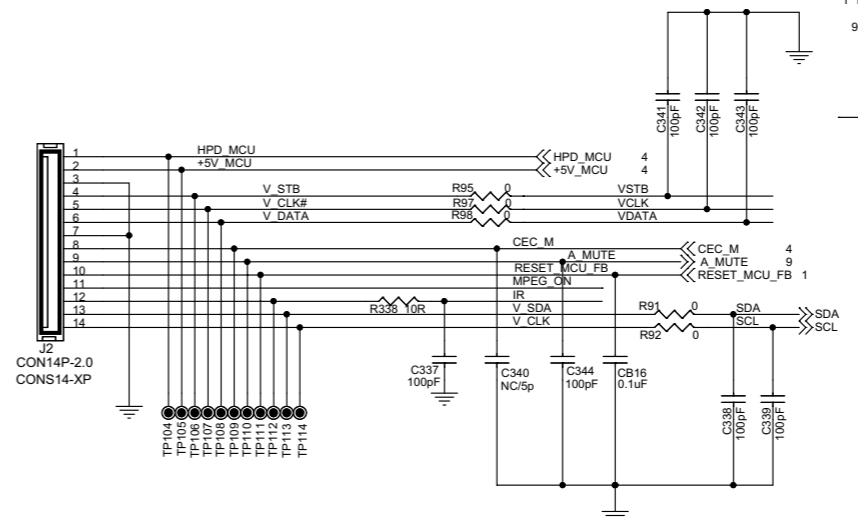
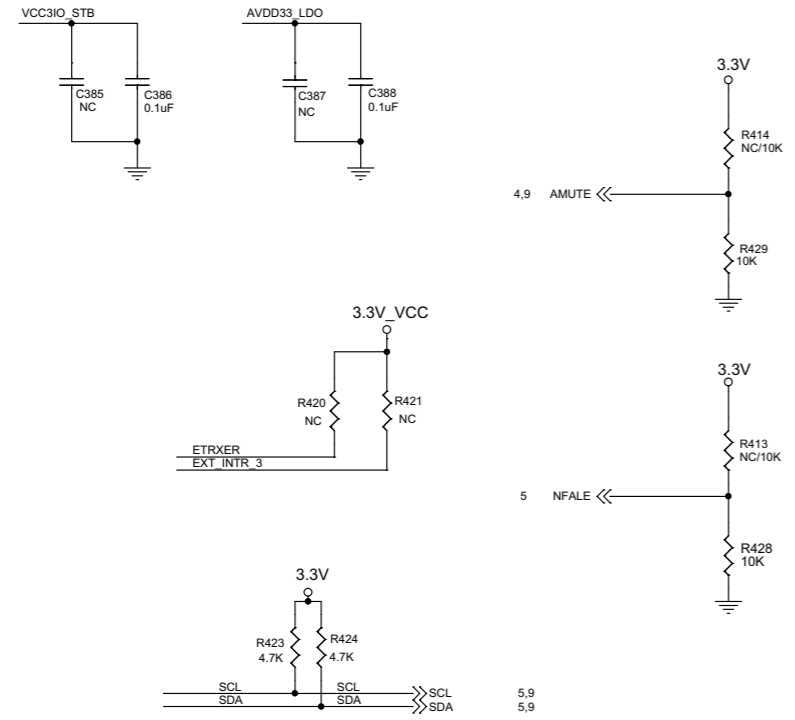
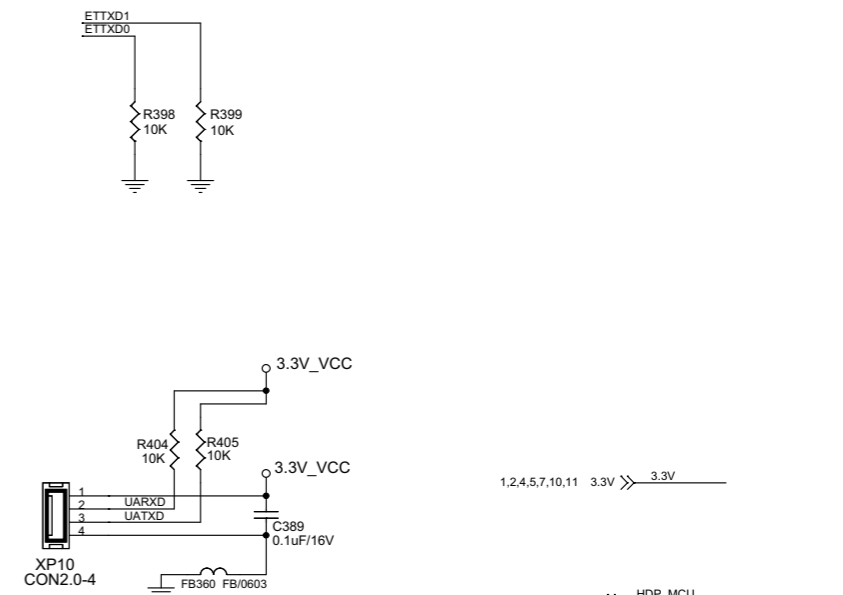
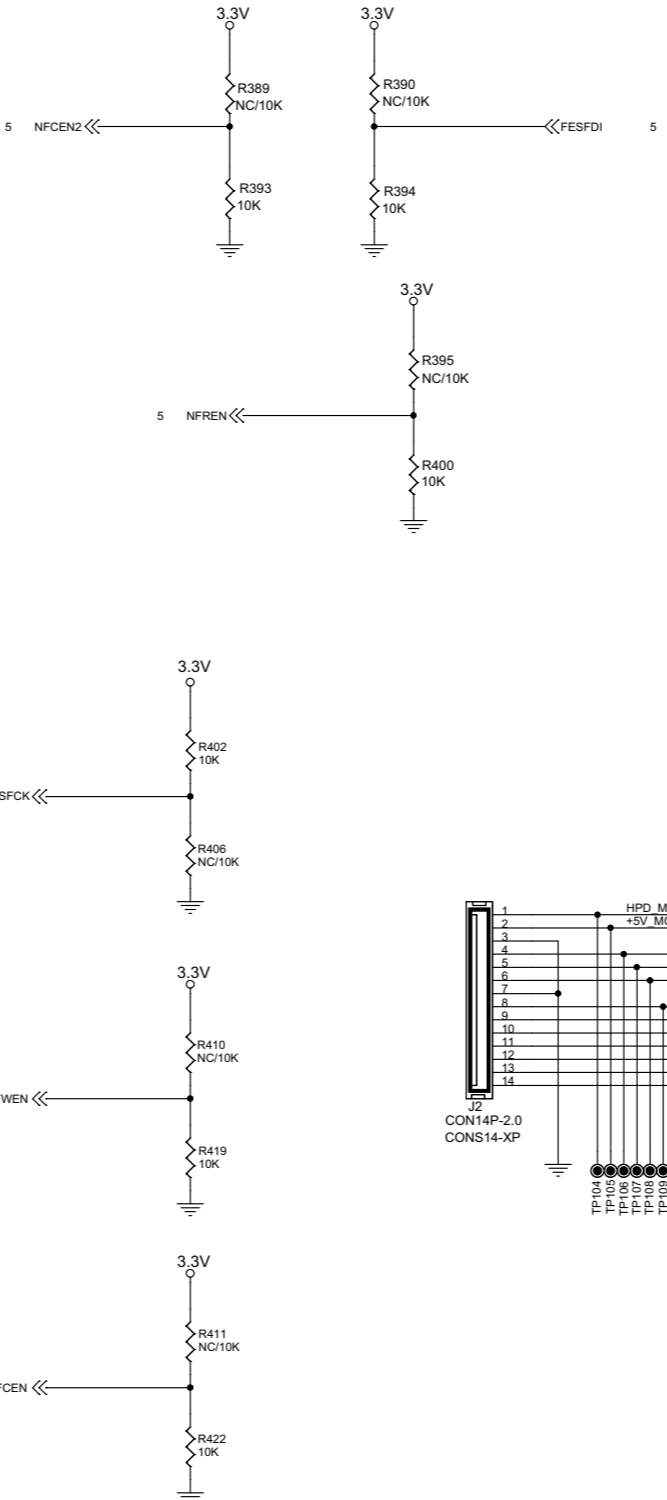
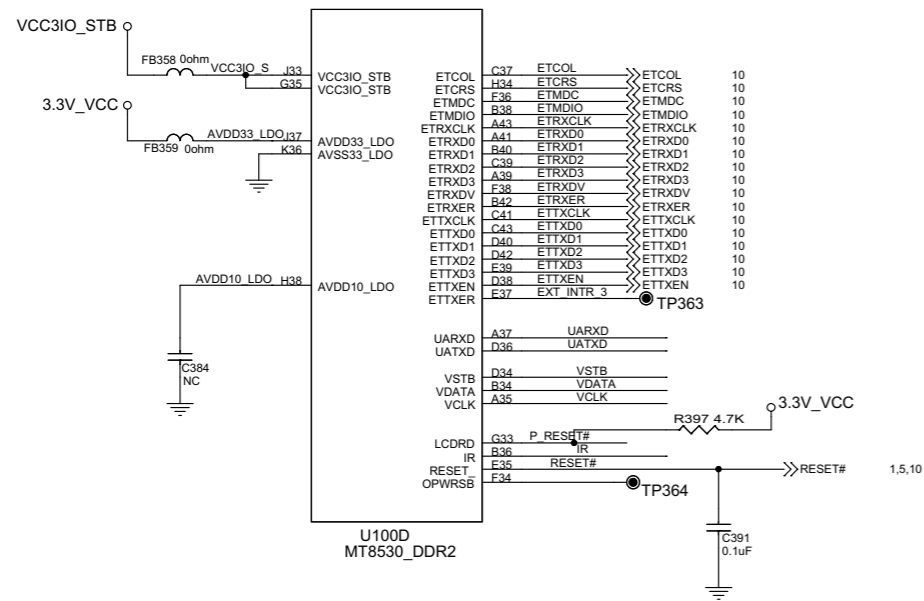
Decoder Board -- Circuit Diagram 3



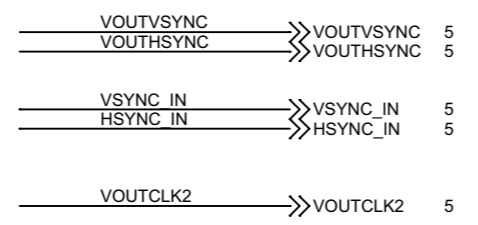
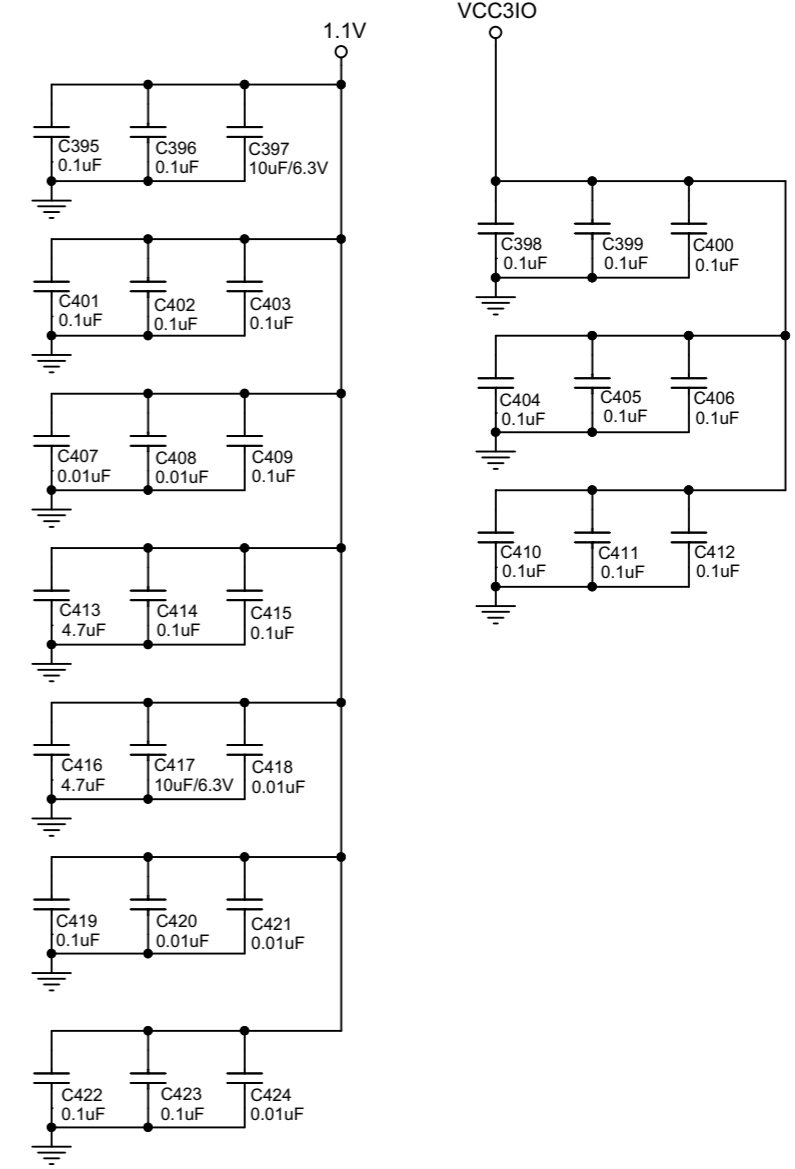
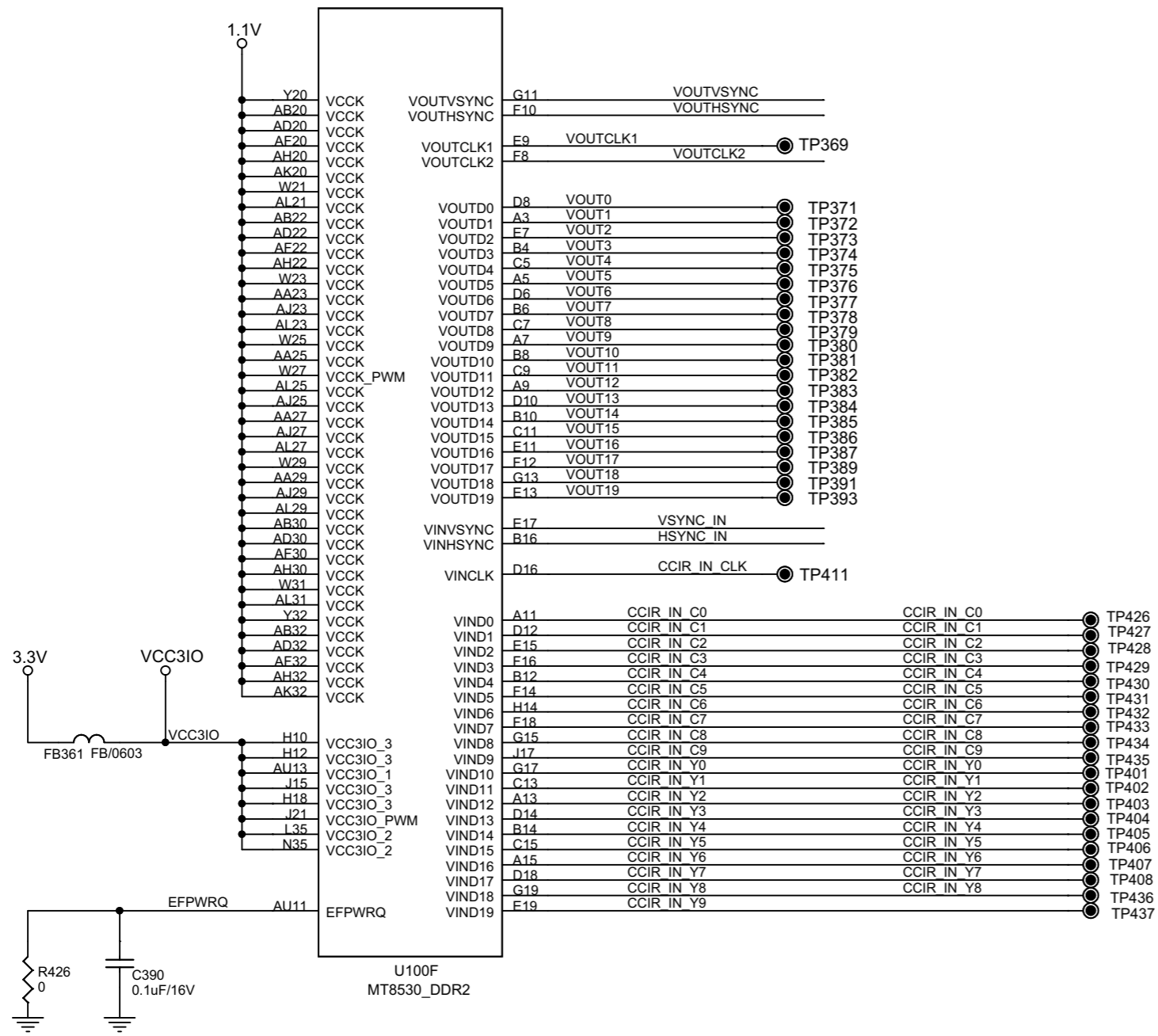
Decoder Board -- Circuit Diagram 5



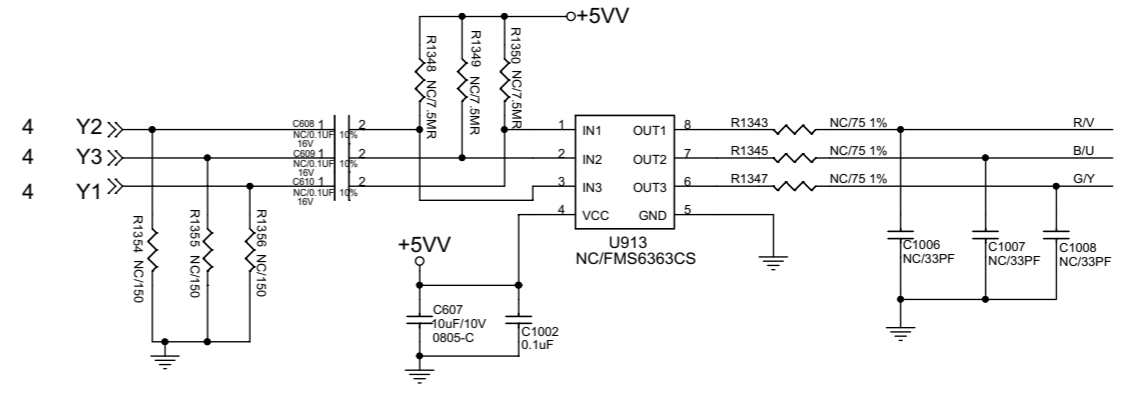
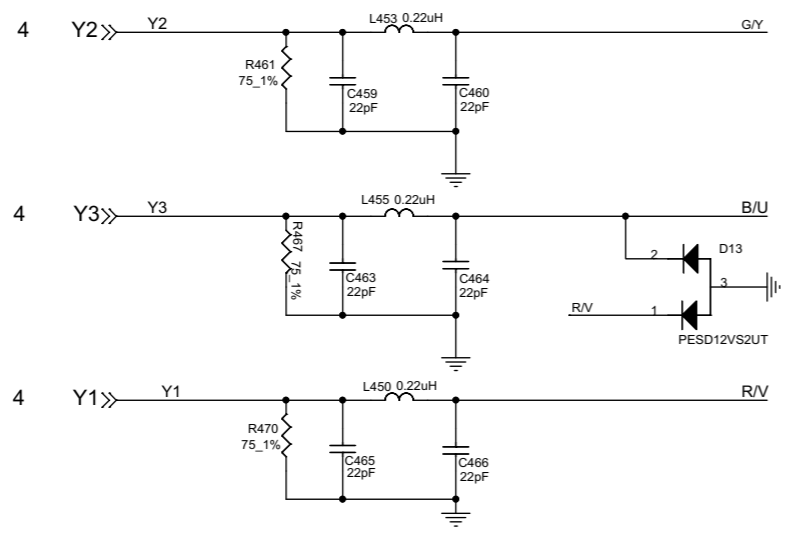
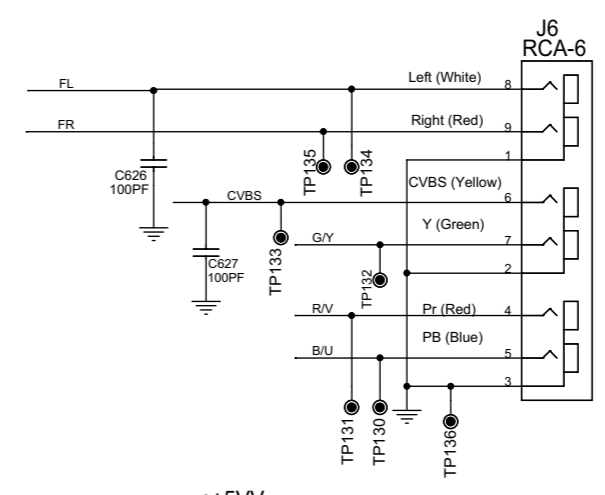
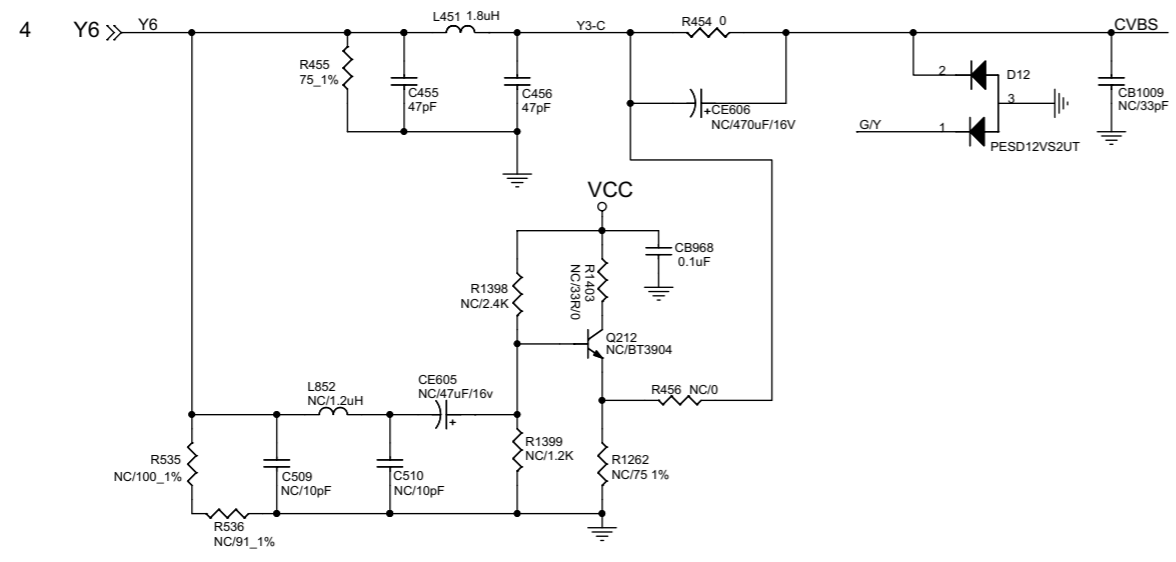
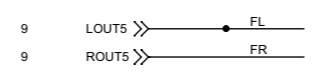
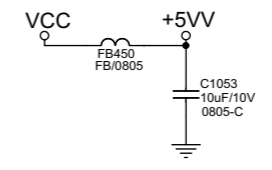
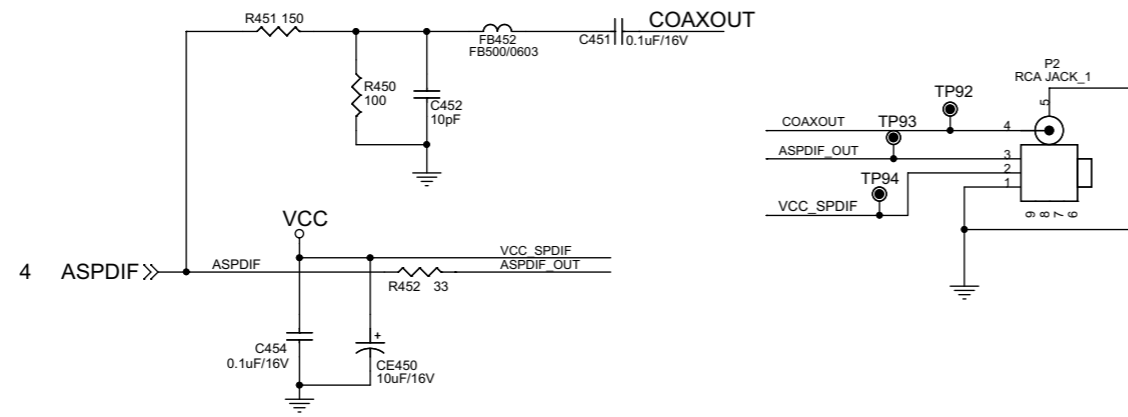
Decoder Board -- Circuit Diagram 6



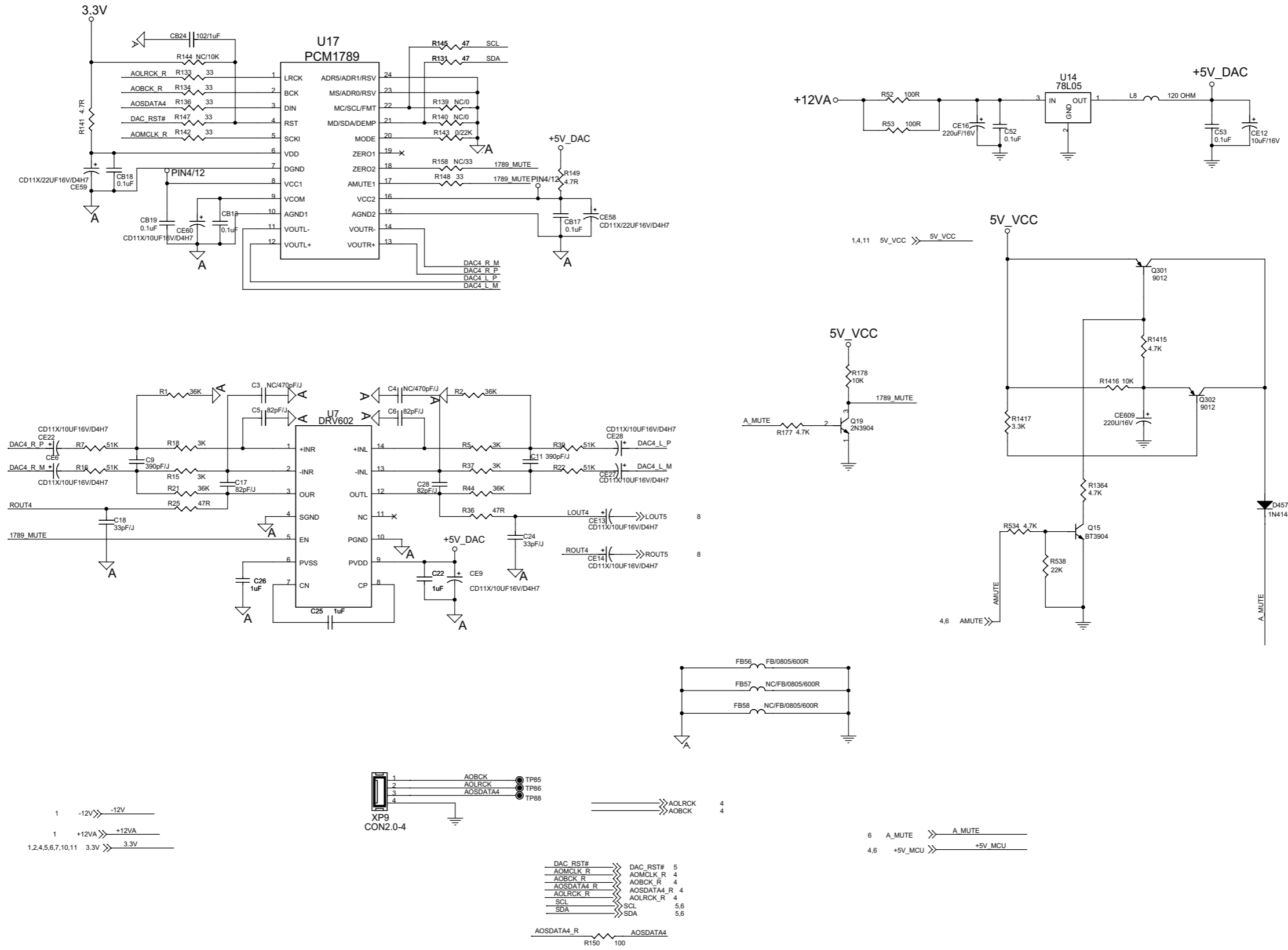
Decoder Board -- Circuit Diagram 7



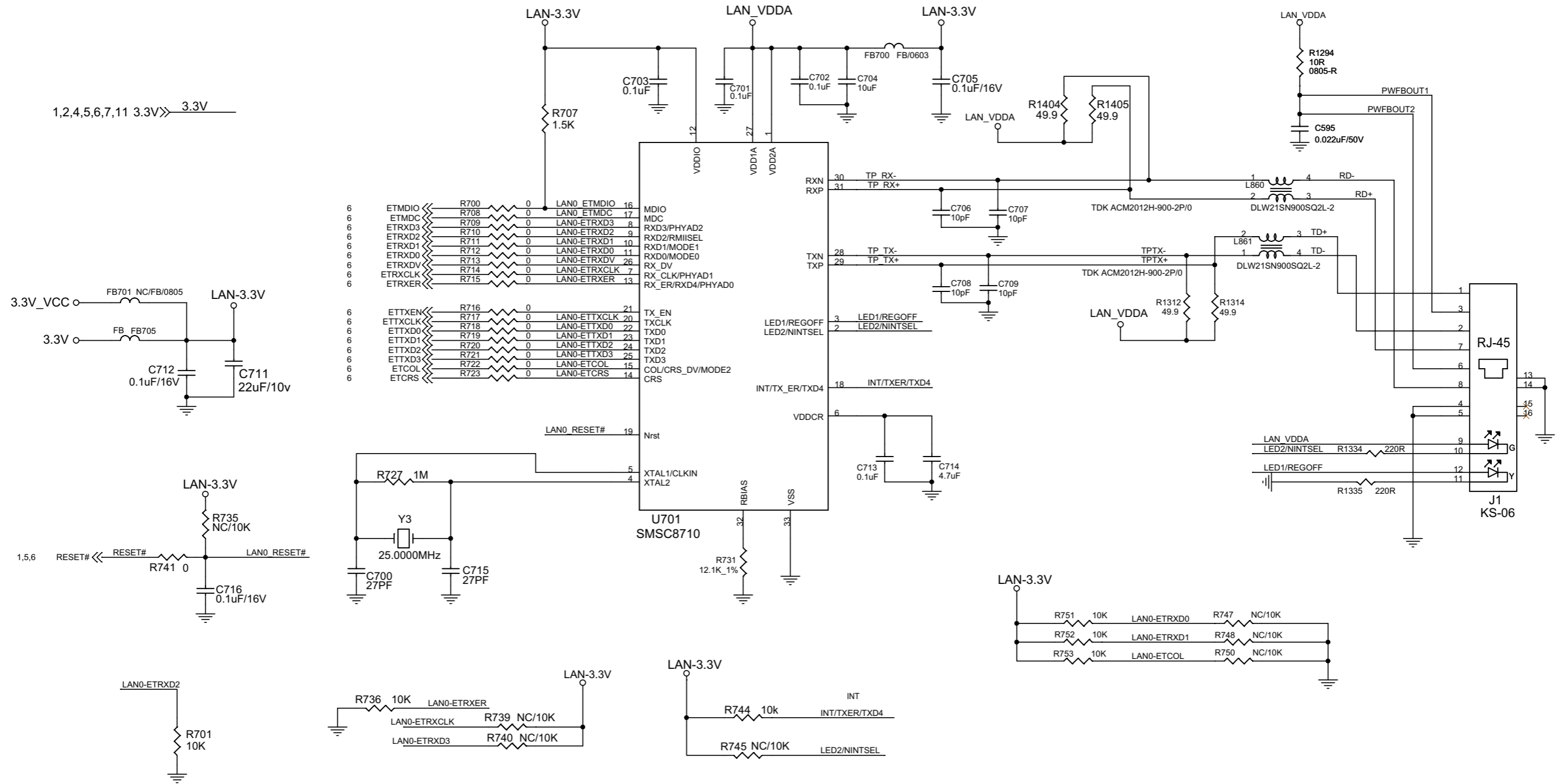
Decoder Board -- Circuit Diagram 8



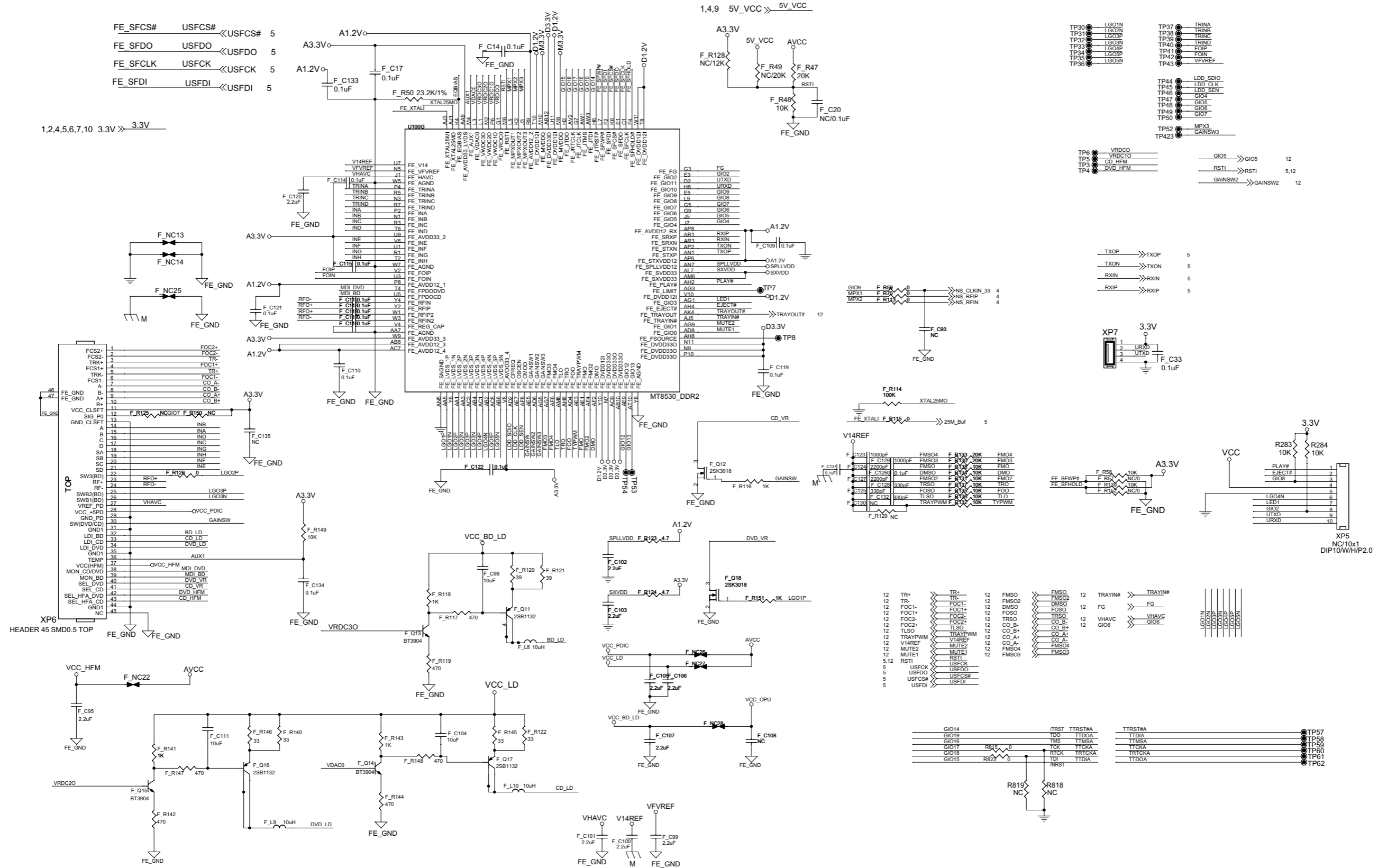
Decoder Board -- Circuit Diagram 9



Decoder Board -- Circuit Diagram 10



Decoder Board -- Circuit Diagram 11



FE_SFCS#	USFCS#	<<USFCS#	5
FE_SFDO	USFDO	<<USFDO	5
FE_SFCLK	USFCK	<<USFCK	5
FE_SFDI	USFDI	<<USFDI	5

1,2,4,5,6,7,10 3.3V >> 3.3V

1.4,9 5V_VCC >> 5V_VCC

TP30	LG01N	TP37	TRINA
TP31	LG02N	TP38	TRINB
TP32	LG03N	TP39	TRINC
TP33	LG04P	TP40	TRIND
TP34	LG05P	TP41	FOIP
TP35	LG06N	TP42	FOIN
TP36	LG07N	TP43	VFVREF
TP44	LDD_SDIO	TP45	LDD_CLK
TP46	LDD_SEN	TP47	GIO4
TP48	GIO5	TP49	GIO6
TP50	GIO7	TP52	MPX3
TP52	MPX3	TP423	GAINSW3

TP6	VRDC0	GIO5	>>GIO5	12
TP5	CD_HFM	RST1	>>RST1	5,12
TP4	DVD_HFM	GAINSW2	>>GAINSW2	12

TXOP	>>TXOP	5
TXGN	>>TXGN	5
RXIN	>>RXIN	5
RXIP	>>RXIP	5

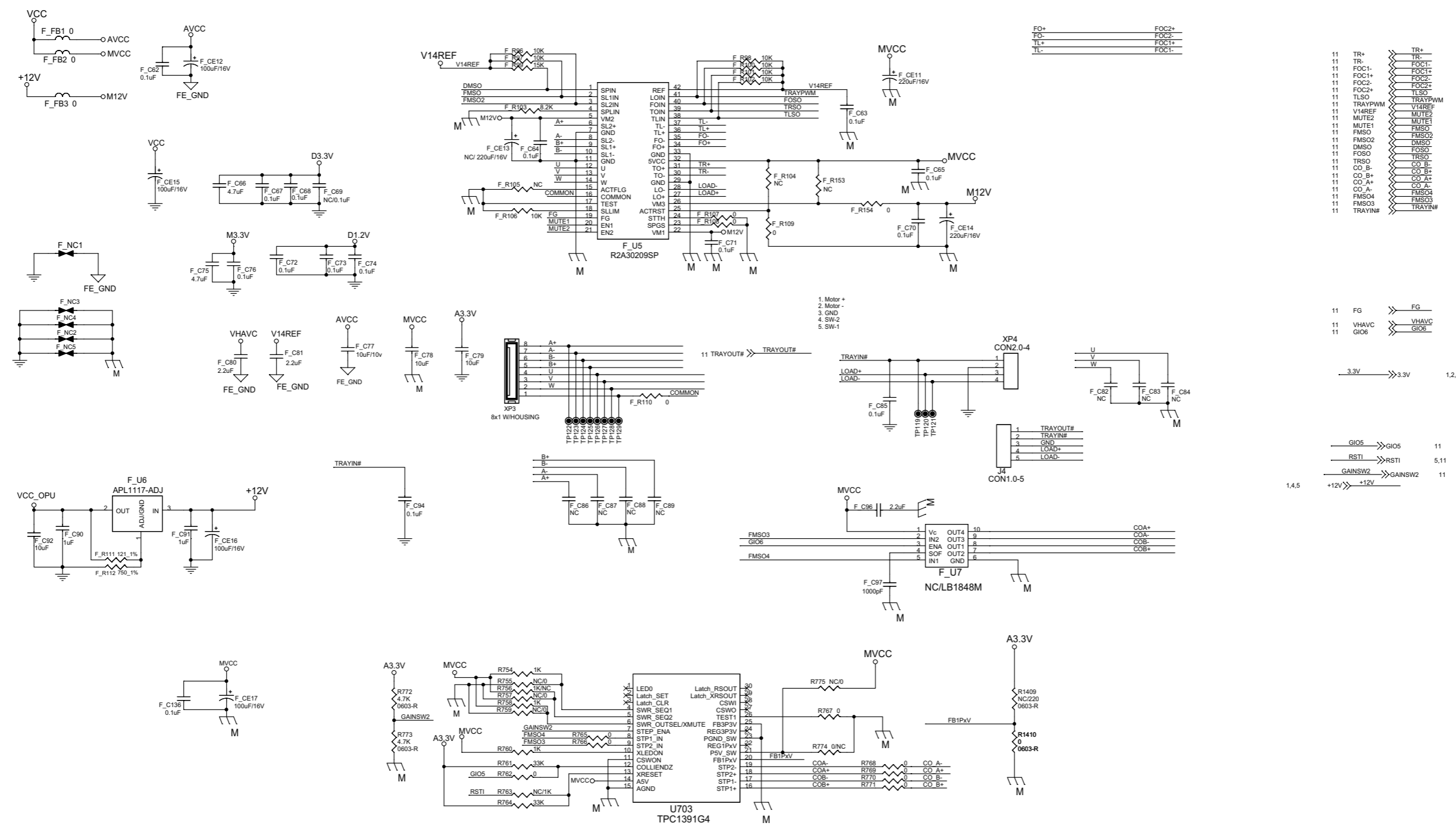
XP7	3.3V	1	UR3D	2	UT3D	3	F_C33	0.1uF
-----	------	---	------	---	------	---	-------	-------

VCC	3.3V	1	PLAY#	1
		2	EJECT#	2
		3	GIO5	3
		4	GIO6	4
		5	GIO7	5
		6	LGO1N	6
		7	LGO2N	7
		8	LGO3P	8
		9	LGO4P	9
		10	URXD	10

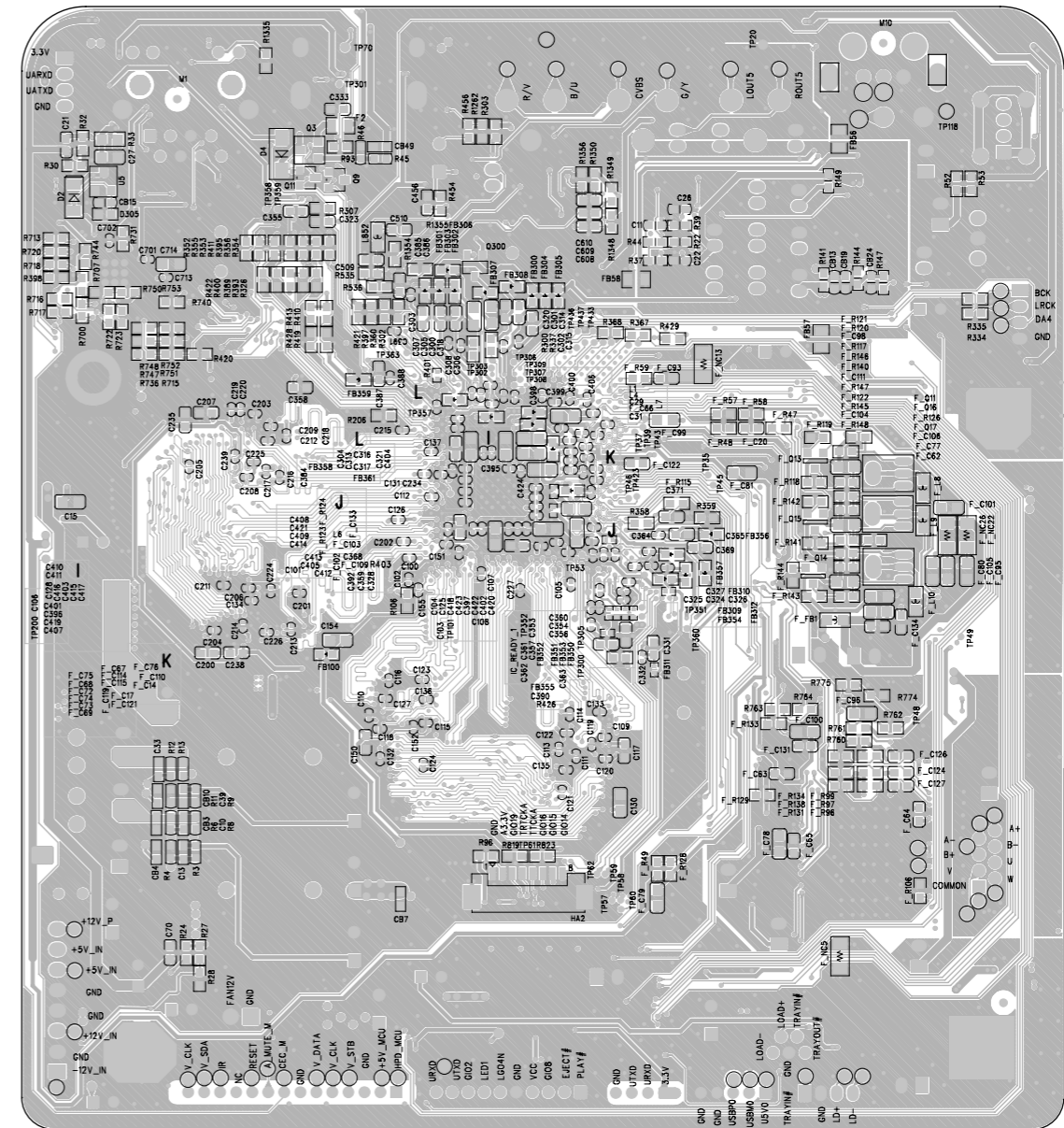
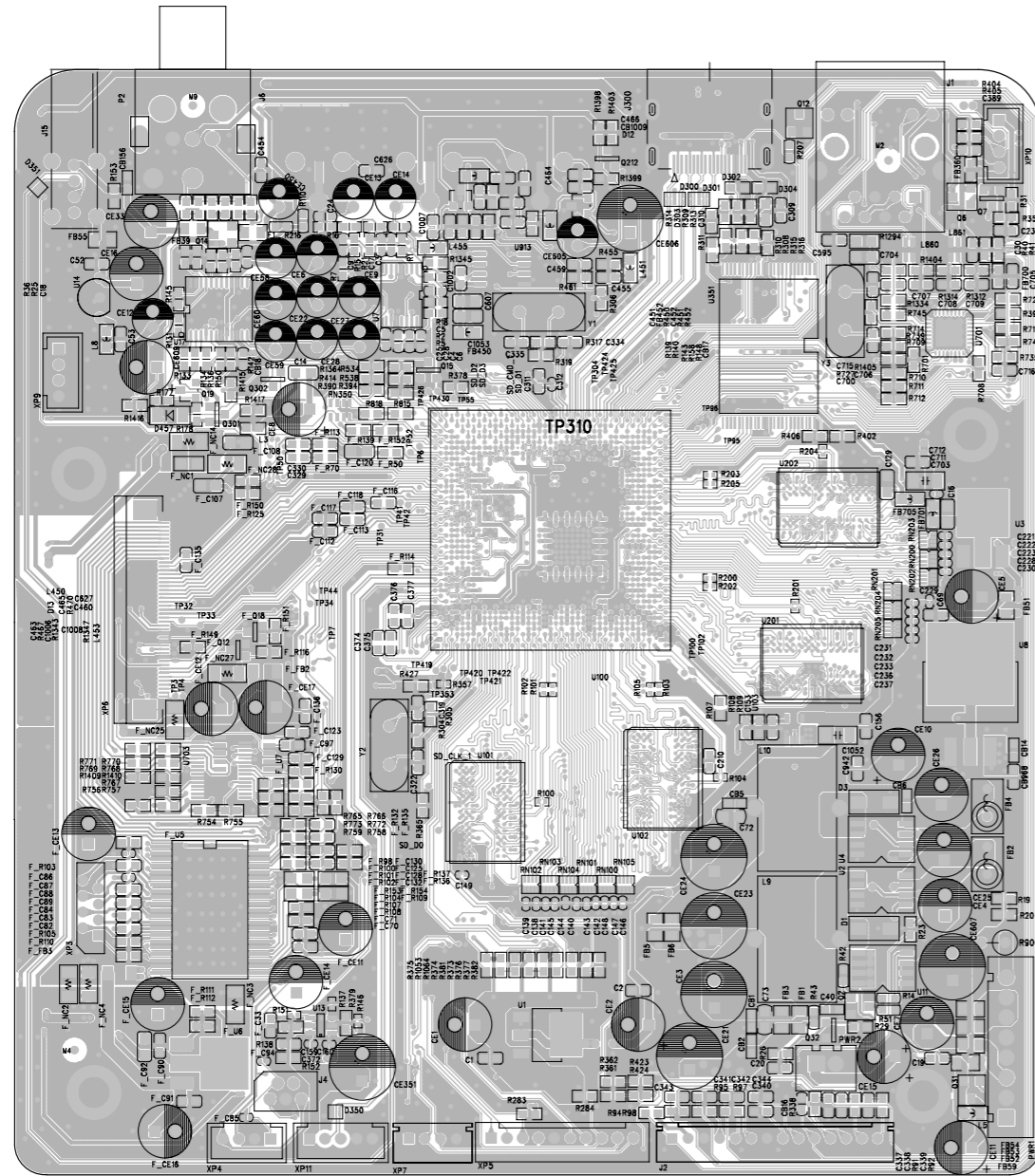
12	TR+	>>TR+	12	FMS0	>>FMS0	12	TRAYIN#	>>TRAYIN#
12	TR-	>>TR-	12	FMS02	>>FMS02	12	FG	>>FG
12	FOC1+	>>FOC1+	12	FMS03	>>FMS03	12	VHAVC	>>VHAVC
12	FOC1-	>>FOC1-	12	FMS04	>>FMS04	12	GIO6	>>GIO6
12	FOC2+	>>FOC2+	12	FMS05	>>FMS05	12		
12	FOC2-	>>FOC2-	12	FMS06	>>FMS06	12		
12	TL50	>>TL50	12	FMS07	>>FMS07	12		
12	TRAYPWM	>>TRAYPWM	12	FMS08	>>FMS08	12		
12	V14REF	>>V14REF	12	FMS09	>>FMS09	12		
12	MUTE2	>>MUTE2	12	FMS10	>>FMS10	12		
12	MUTE1	>>MUTE1	12	FMS11	>>FMS11	12		
5,12	RST1	>>RST1	12	FMS12	>>FMS12	12		
5	USFCK	>>USFCK	12	FMS13	>>FMS13	12		
5	USFDO	>>USFDO	12	FMS14	>>FMS14	12		
5	USFCS#	>>USFCS#	12	FMS15	>>FMS15	12		
5	USFDI	>>USFDI	12	FMS16	>>FMS16	12		

GIO14	/TRST	TTRST#A	TP57	TTRST#A
GIO19	YD0	TTDGA	TP58	TTDGA
GIO16	TMS	TTMSA	TP59	TTMSA
GIO17	YCK	TTCKA	TP60	TTCKA
GIO18	TRTCKA	TRTCKA	TP61	TRTCKA
GIO15	R823	TTDGA	TP62	TTDGA

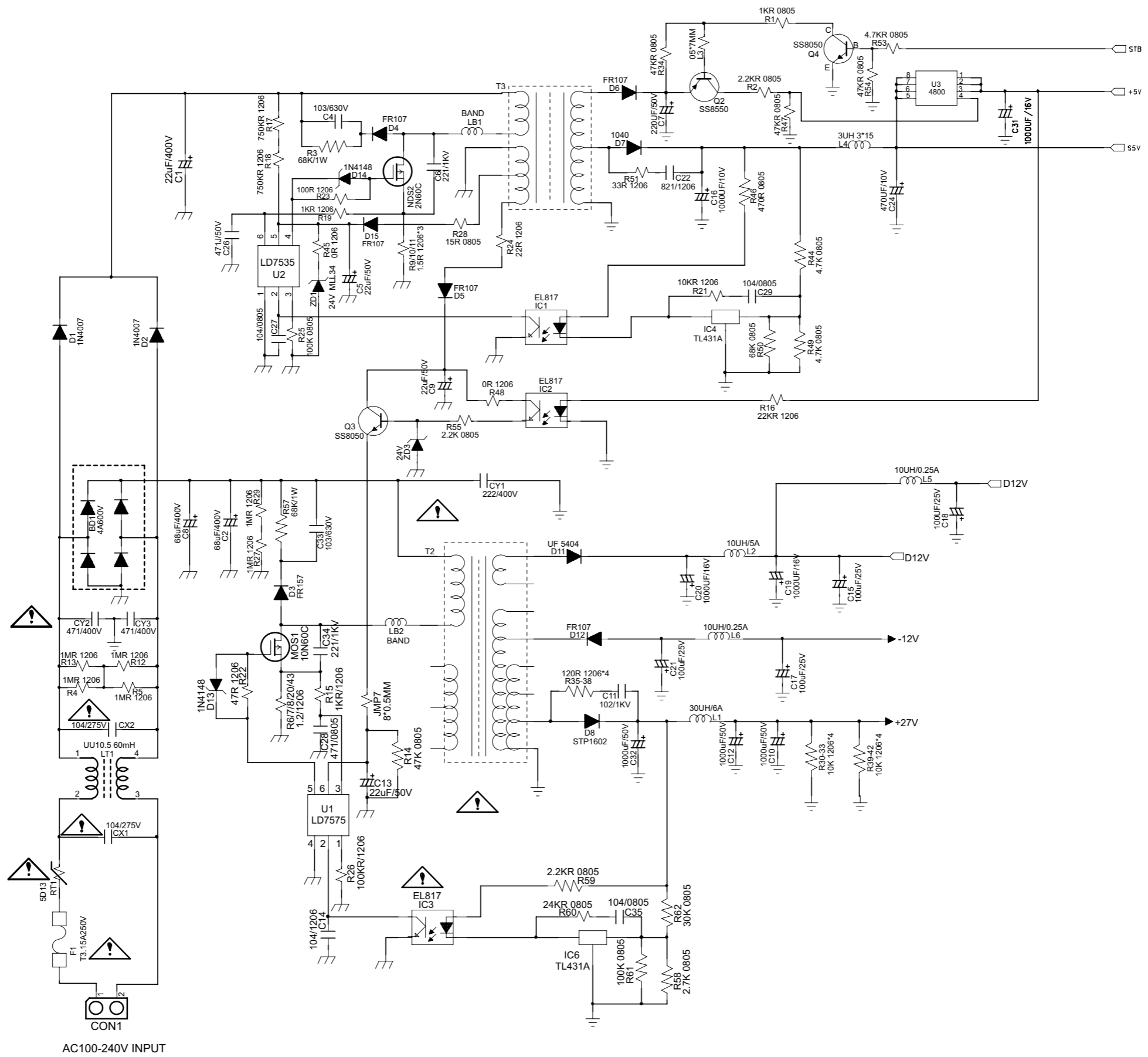
Decoder Board -- Circuit Diagram 12



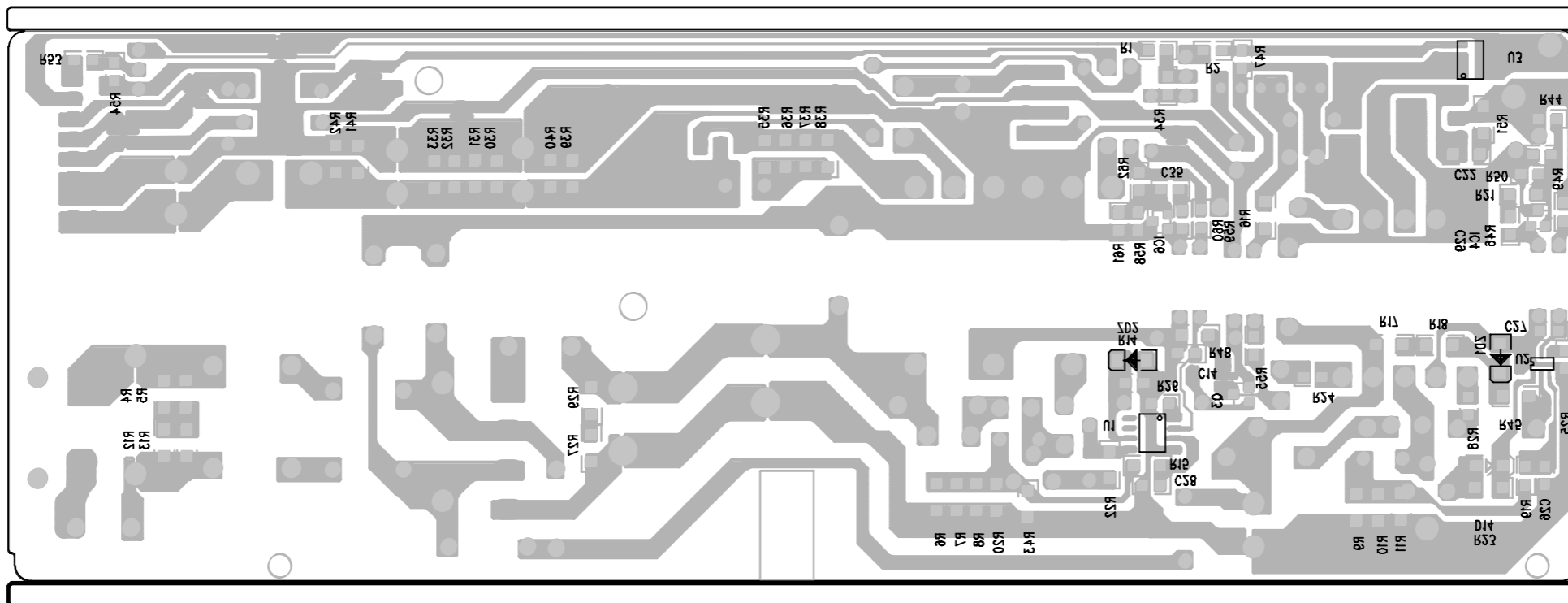
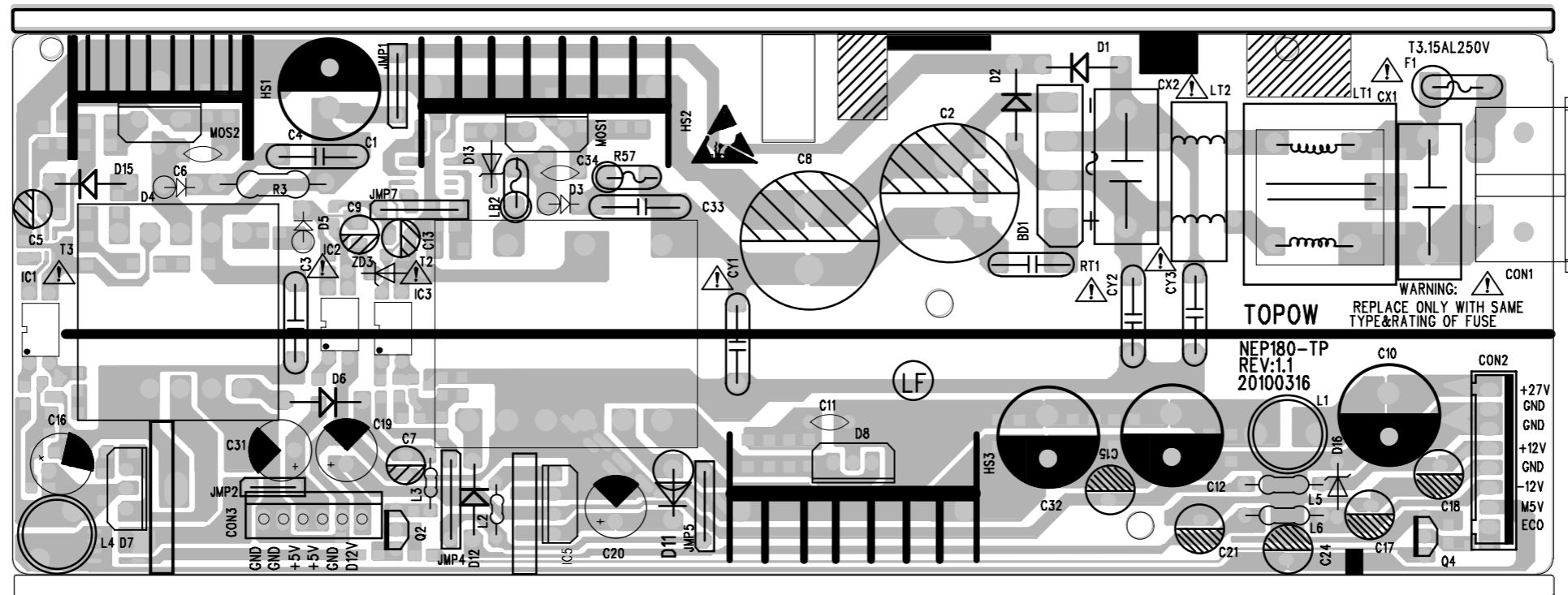
Decoder Board -- layout Diagram



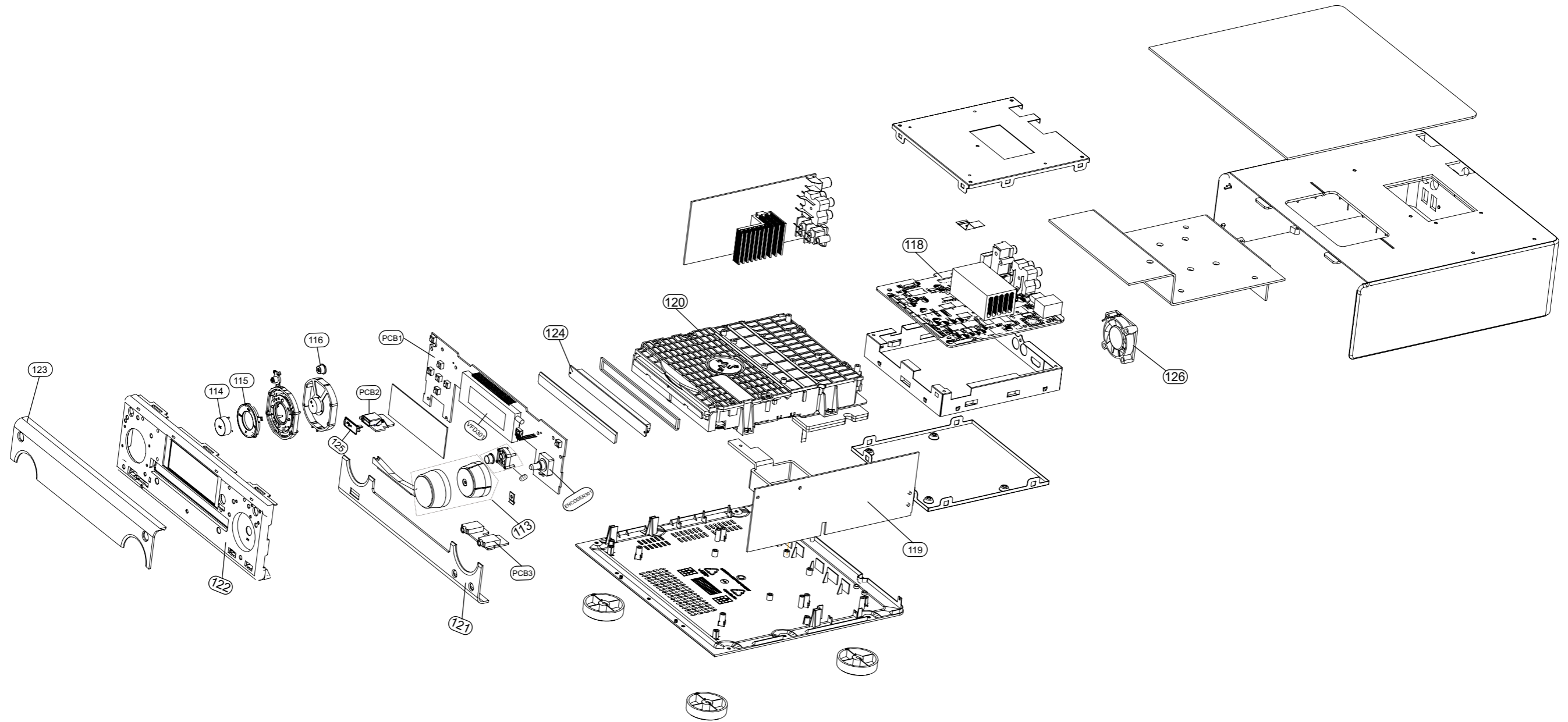
Power Board -- Circuit Diagram



Power Board -- Layout Diagram



Exploded View



Revision List

Revision List

Version 1.0
* Initial Release