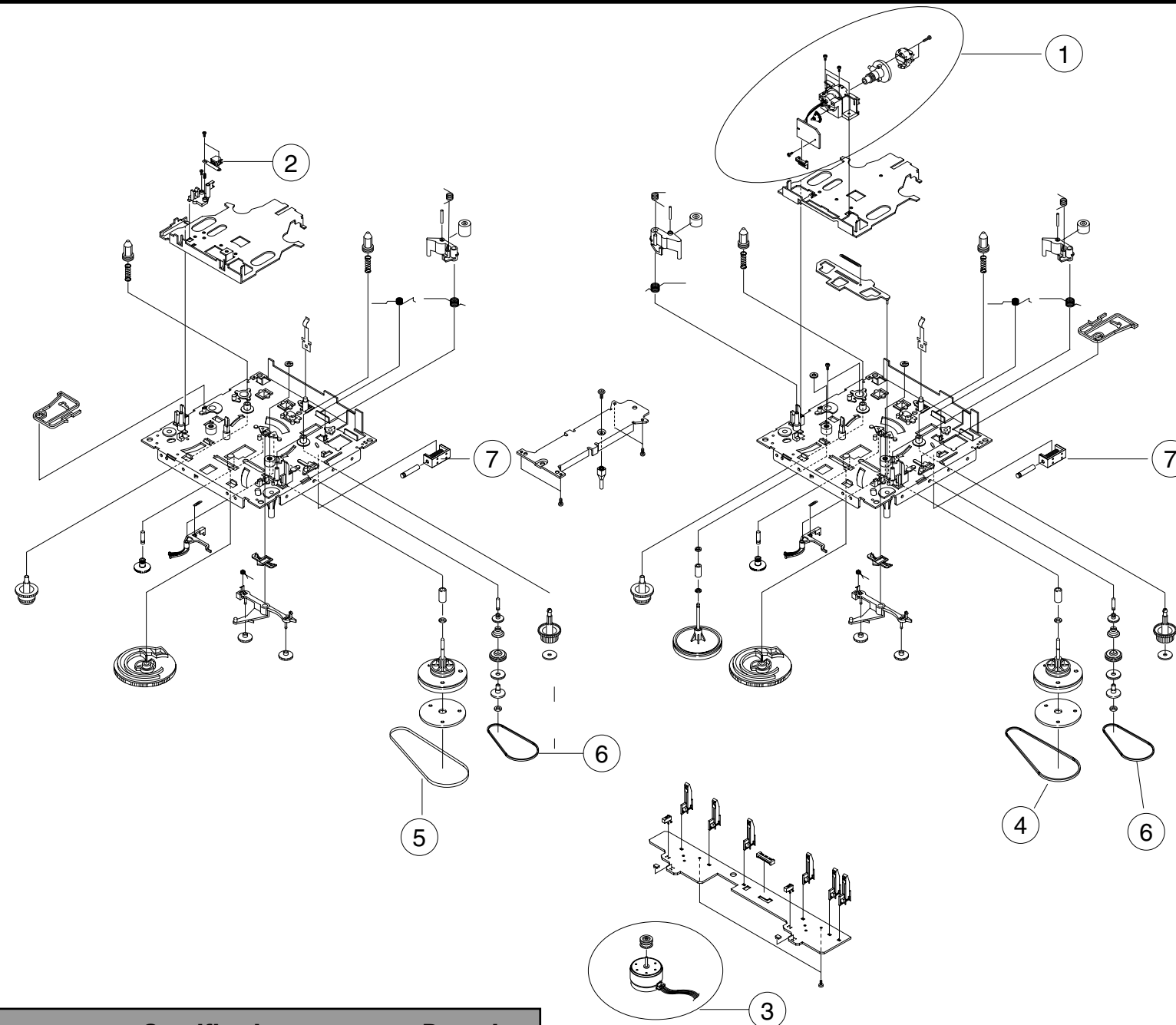


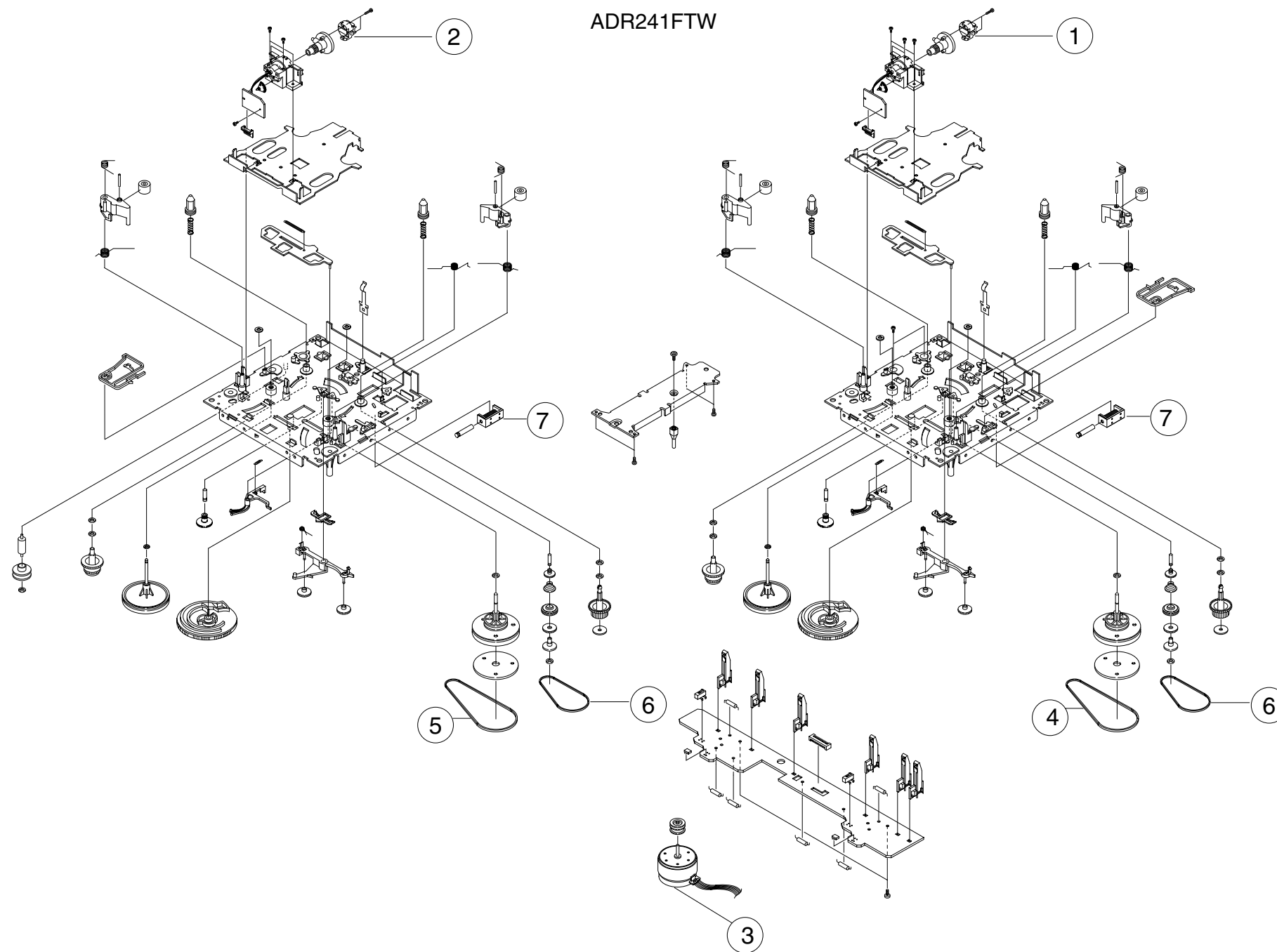
2.Exploded Views and Parts List

2-1 Cassette Deck :ADR241AMW1(OPTION)



No.	Code No.	Description	Specification	Remarks
	AH59-20006T	DECK-CASSETTE	ADR241AMW1	
1	AH81-00140A	ASS.Y RP HEAD	ADR2400-RP(SANKYO)	MT91-11011P
2	AH81-00141A	HEAD PB	TC881CB	MT59-00044A
3	AH81-00142A	ASS,Y MOTOR	ADR2400-SHU2L	MT91-11013D
4	AH81-00143A	BELT MAIN1	ADR2400-MAIN 76.2	6602-001038
5	AH81-00144A	BELT MAIN2	ADR2400-MAIN 64.6	6602-001050
6	AH81-00101A	BELT SUB	ADR2400-FR	6602-001055
7	AH81-00102A	SOLENOID	ADR2400-1	MT75-00049A

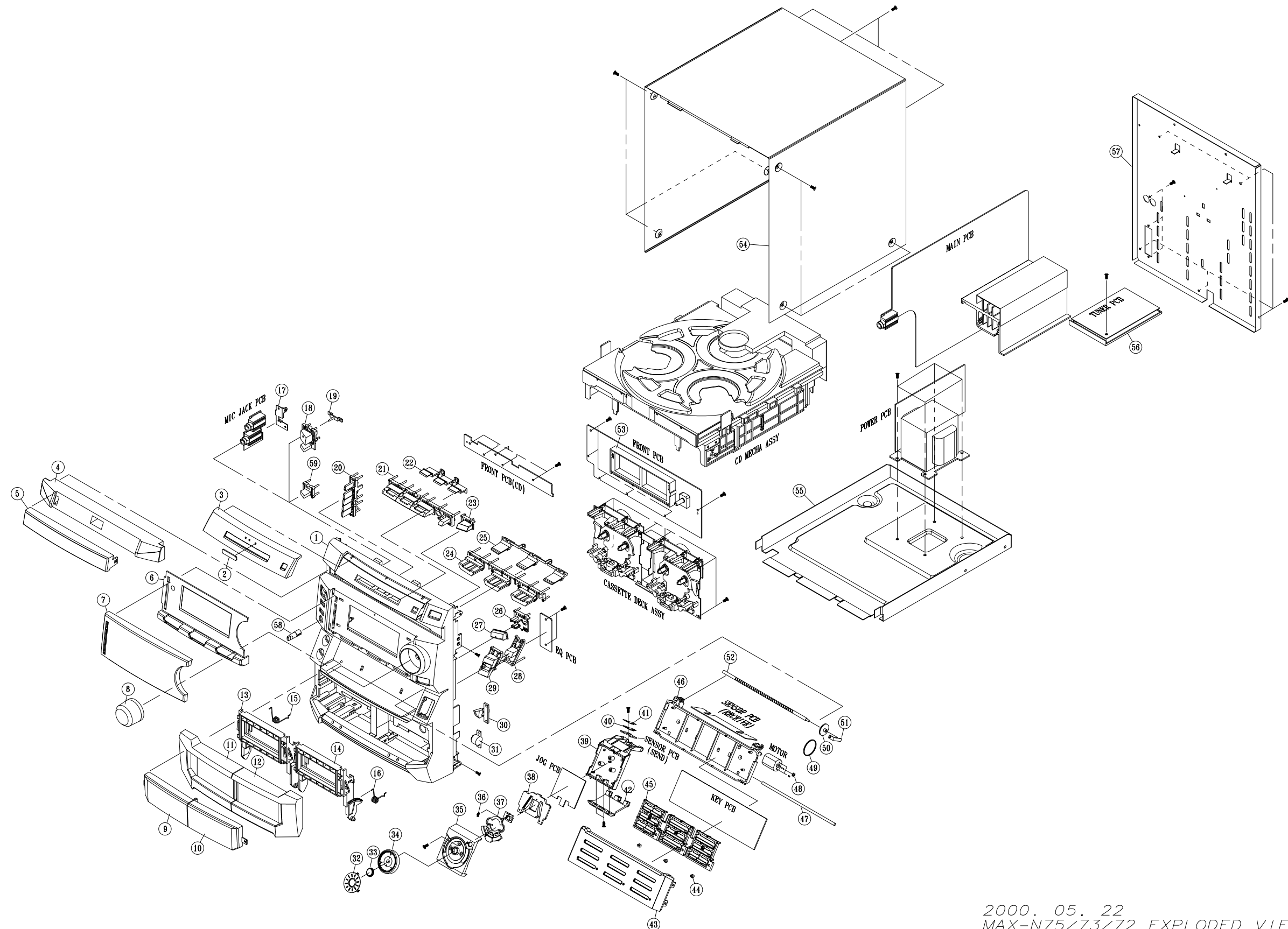
2-1-1 Cassette Deck :ADR241FTW(OPTION)



No.	Code No.	Description	Specification	Remarks
	AH59-20006S	DECK ASS'Y	ADR241FTW	
1	AH81-00140A	RP HEAD	ADR2400-RP(SANKYO),-	MT91-11011P
2	AH81-00329A	ASS'Y HEAD PB	MK10PAA2N3,	MT59-00041V
3	AH81-00142A	ASSY MOTOR	ADR2400-SHU2L,-	MT91-11013D
4	AH81-00143A	BELT MAIN1	ADR2400-MAIN 76.2,-	6602-001038
5	AH81-00330A	BELT MAIN2	ADR2400-MAIN 93,	6602-001066
6	AH81-00101A	BELT FR	ADR2400S-FR,-	6602-001055
7	AH81-00102A	SOLENOID	ADR2400-1,-	MT75-00049A

2-2 Total Exploded View and Parts List

2-2-1 Total Exploded



2000. 05. 22
MAX-N75/73/72 EXPLODED VIEW

2-2-2 Parts List of Total Exploded view(MAX-N72)

No.	Code No.	Description	; Specification	Q'ty	Remarks
1	AH64-00615C	CABINET-FRONT	MIPS L/GRAY(G6236)	1	NONE MIC
	AH64-00615D		MIPS L/GRAY(G6236)	1	USE MIC 1
2	AH64-70003H	BADGE-SAMSUNG	SAMSUNG,SILVER 30mm	1	
3	AH64-00621B	WINDOW-CD	PMMA 850-71129	1	
4	AH64-00620B	DOOR-CD	ABS L/GRAY(G6236)	1	
5	AH64-00622E	WINDOW-DOOR.CD	PMMA 850-71129	1	
6	AH61-00366B	CAP-FUNCTION	ABS D/GRAY(G3174)	1	
7	AH64-00623B	WINDOW-VFD	PMMA 850-41802	1	NONE RDS
	AH64-00623C	WINDOW-VFD	PMMA 850-41802	1	USE RDS
8	AH64-00639B	KNOB-VOLUME	ABS L/GRAY(G6236)	1	
9	AH64-00624B	WINDOW-DOOR,A	PMMA 850-83239	1	USE DOLBY MARK
	AH64-00624C	WINDOW-DOOR,A	PMMA 850-83239	1	NONE DOLBY MARK
10	AH64-00625B	WINDOW-DOOR,B	PMMA 850-83239	1	
11	AH64-00618B	DOOR-CASS.A	ABS L/GRAY(G6236)	1	
12	AH64-00619B	DOOR-CASS.B	ABS L/GRAY(G6236)	1	
13	AH61-00365A	HOLDER-DOOR,A	ABS L/GRAY (G6236)	1	
14	AH61-00378A	HOLDER-DOOR,B	ABS L/GRAY (G6236)	1	
15	AH61-62004C	SPRING-EJECT,A	SUS 304 PI 1.0	1	
16	AH61-62005C	SPRING-EJECT,B	SUS 304 PI 1.0	1	
17	AH61-00376A	BRKT-MIC	SECC 1.0T	1	
18	AH64-00632B	KNOB-POWER	ABS L/GRAY (G6236)	1	
19	AH67-00056A	LENS-POWER	PMMA MILKY	1	
20	AH64-00634A	KNOB-TIMER	ABS D/GRAY(G3174)	1	
21	AH64-00631B	KNOB-DISC	ABS D/GRAY (G3174)	1	
22	AH67-00055A	LENS-DISC	PMMA CLR	1	
23	AH64-00630B	KNOB-OPEN	ABS L/GRAY (G6236)	1	
24	AH64-00635B	KNOB-FUNCTION	ABS D/GRAY(G3174)	1	
25	AH67-00057A	LENS-FUNCTION	PMMA CLR	1	
26	AH64-00636A	KNOB-TURBO	ABS D/GRAY(G3174)	1	
27	AH67-00058B	LENS-TURBO	PMMA CLR	1	
28	AH64-00637B	KNOB-EQ,1	ABS L/GRAY(G6236)	1	
29	AH64-00638B	KNOB-EQ,2	ABS L/GRAY(G6236)	1	
30	AH95-50001A	LATCH ASSY	POM BLACK	2	
31	AH61-80030A	DAMPER ASSY	POM BLACK	2	
32	AH64-00627B	KNOB-JOG	ABS L/GRAY (G6236)	1	
33	AH67-00059B	LENS-JOG	PMMA CLR	1	
34	AH64-00626B	DECO-JOG	ABS D/GRAY (G3174)	1	
35	AH61-00369B	CAP-MOV, TOP	ABS L/GRAY (G6236)	1	
36	AH67-00061A	LENS-ENTER	PMMA CLR	1	
37	AH64-00628B	KNOB-ENTER	ABS L/GRAY (G6236)	1	
38	AH67-00060A	LENS-MOVING	PMMA MILKY	1	
39	AH61-00370A	CAP-MOV,BOTTOM	PC/ABS GRAY(1PB-0401)	1	
40	AH61-00372A	HOLDER-FEED	NYLON 6/6 BLK	1	
41	AH61-00374A	BRKT-FEED	SUS 301 1/4H	1	
42	AH61-00371A	HOLDER-MOVING	PC/ABS GRAY(1PB-0401)	1	
43	AH61-00367B	CAP-UPPER	ABS GRAY(1PB-0401)	1	USE DOLBY NR
	AH61-00367C	CAP-UPPER	ABS GRAY(1PB-0401)	1	NONOE DOLBY NR
44	AH67-00062A	LENS-RECORD	PMMA MILKY	3	
45	AH64-00629B	KNOB-DECK	ABS L/GRAY (G6236)	1	
46	AH61-00368A	CAP-BOTTOM	ABS D/GRAY(G3174)	1	
47	AH61-00399B	SHAFT-GUIDE	SUS 303	1	
48	AH66-00114A	PULLEY-MOTOR	POM BLK	1	

No.	Code No.	Description	; Specification	Q'ty	Remarks
49	AH66-00108A	BELT	CR, MAX-N75	1	
50	AH66-00110A	PULLEY-SHAFT	POM BLK	1	
51	AH61-00375A	BRKT-STOPPER	SUS 301 1/4H	1	
52	AH61-00399A	SHAFT-FEED	SUS 303	1	
53	AH61-00373A	HOLDER-VFD	ABS WHT	1	
54	AH64-00616A	CABINET-TOP	PCM 0.625T SILVER	1	
55	AH64-30416C	CABINET-BOTTOM	SECC 1.0T	1	
56	AH61-20540A	HOLDER-TUNER	PC/ABS BLACK	1	
57	AH64-00617B	CABINET-REAR	SECC 0.8T	1	1 VOL
	AH64-00617C	CABINET-REAR	SECC 0.8T	1	2 VOL
	AH64-00617D	CABINET-REAR	SECC 0.8T	1	1 VOL + SW
	AH64-00617E	CABINET-REAR	SECC 0.8T	1	2 VOL + SW
	AH64-00617F	CABINET-REAR	SECC 0.8T	1	1 VOL + DIGITAL OUT
58	AH64-00640B	KNOB-MIC,VOL	ABS L/GRAY(G6236)	1	OPTION
59	AH64-00633B	KNOB-ECHO	ABS L/GRAY(G6236)	1	OPTION

2-2-3 Parts List of Total Exploded view(MAX-N73)

No.	Code No.	Description	; Specification	Q'ty	Remarks
1	AH64-00615C	CABINET-FRONT	MIPS L/GRAY(G6236)	1	NONE MIC
	AH64-00615D	CABINET-FRONT	MIPS L/GRAY(G6236)	1	USE MIC 1
2	AH64-70003H	BADGE-SAMSUNG	SAMSUNG,SILVER 30mm	1	
3	AH64-00621B	WINDOW-CD	PMMA 850-71129	1	
4	AH64-00620B	DOOR-CD	ABS L/GRAY(G6236)	1	
5	AH64-00622F	WINDOW-DOOR.CD	PMMA 850-71129	1	
6	AH61-00366B	CAP-FUNCTION	ABS D/GRAY(G3174)	1	
7	AH64-00623B	WINDOW-VFD	PMMA 850-41802	1	NONE RDS
	AH64-00623C	WINDOW-VFD	PMMA 850-41802	1	USE RDS
8	AH64-00639B	KNOB-VOLUME	ABS L/GRAY(G6236)	1	
9	AH64-00624B	WINDOW-DOOR,A	PMMA 850-83239	1	USE DOLBY MARK
	AH64-00624C	WINDOW-DOOR,A	PMMA 850-83239	1	NONE DOLBY MARK
10	AH64-00625B	WINDOW-DOOR,B	PMMA 850-83239	1	
11	AH64-00618B	DOOR-CASS.A	ABS L/GRAY(G6236)	1	
12	AH64-00619B	DOOR-CASS.B	ABS L/GRAY(G6236)	1	
13	AH61-00365A	HOLDER-DOOR,A	ABS L/GRAY (G6236)	1	
14	AH61-00378A	HOLDER-DOOR,B	ABS L/GRAY (G6236)	1	
15	AH61-62004C	SPRING-EJECT,A	SUS 304 PI 1.0	1	
16	AH61-62005C	SPRING-EJECT,B	SUS 304 PI 1.0	1	
17	AH61-00376A	BRKT-MIC	SECC 1.0T	1	
18	AH64-00632B	KNOB-POWER	ABS L/GRAY (G6236)	1	
19	AH67-00056A	LENS-POWER	PMMA MILKY	1	
20	AH64-00634A	KNOB-TIMER	ABS D/GRAY(G3174)	1	
21	AH64-00631B	KNOB-DISC	ABS D/GRAY (G3174)	1	
22	AH67-00055A	LENS-DISC	PMMA CLR	1	
23	AH64-00630B	KNOB-OPEN	ABS L/GRAY (G6236)	1	
24	AH64-00635B	KNOB-FUNCTION	ABS D/GRAY(G3174)	1	
25	AH67-00057A	LENS-FUNCTION	PMMA CLR	1	
26	AH64-00636A	KNOB-TURBO	ABS D/GRAY(G3174)	1	
27	AH67-00058B	LENS-TURBO	PMMA CLR	1	
28	AH64-00637B	KNOB-EQ,1	ABS L/GRAY(G6236)	1	
29	AH64-00638B	KNOB-EQ,2	ABS L/GRAY(G6236)	1	
30	AH95-50001A	LATCH ASSY	POM BLACK	2	
31	AH61-80030A	DAMPER ASSY	POM BLACK	2	
32	AH64-00627B	KNOB-JOG	ABS L/GRAY (G6236)	1	
33	AH67-00059B	LENS-JOG	PMMA CLR	1	
34	AH64-00626B	DECO-JOG	ABS D/GRAY (G3174)	1	
35	AH61-00369B	CAP-MOV, TOP	ABS L/GRAY (G6236)	1	
36	AH67-00061A	LENS-ENTER	PMMA CLR	1	
37	AH64-00628B	KNOB-ENTER	ABS L/GRAY (G6236)	1	
38	AH67-00060A	LENS-MOVING	PMMA MILKY	1	
39	AH61-00370A	CAP-MOV,BOTTOM	PC/ABS GRAY(1PB-0401)	1	
40	AH61-00372A	HOLDER-FEED	NYLON 6/6 BLK	1	
41	AH61-00374A	BRKT-FEED	SUS 301 1/4H	1	
42	AH61-00371A	HOLDER-MOVING	PC/ABS GRAY(1PB-0401)	1	
43	AH61-00367B	CAP-UPPER	ABS GRAY(1PB-0401)	1	USE DOLBY NR
	AH61-00367C	CAP-UPPER	ABS GRAY(1PB-0401)	1	NONOE DOLBY NR
44	AH67-00062A	LENS-RECORD	PMMA MILKY	3	
45	AH64-00629B	KNOB-DECK	ABS L/GRAY (G6236)	1	
46	AH61-00368A	CAP-BOTTOM	ABS D/GRAY(G3174)	1	
47	AH61-00399B	SHAFT-GUIDE	SUS 303	1	
48	AH66-00114A	PULLEY-MOTOR	POM BLK	1	

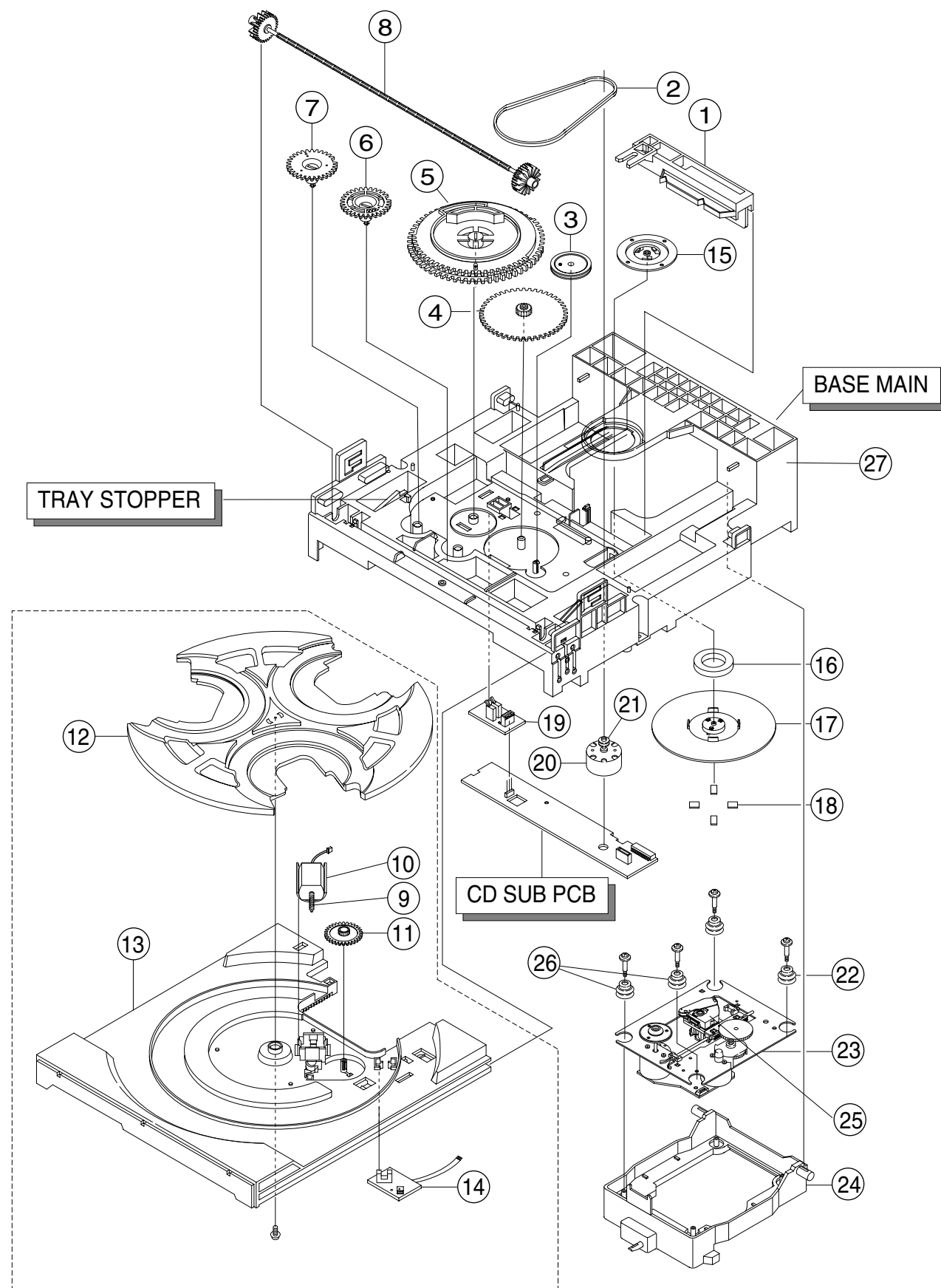
No.	Code No.	Description	; Specification	Q'ty	Remarks
49	AH66-00108A	BELT	CR, MAX-N75	1	
50	AH66-00110A	PULLEY-SHAFT	POM BLK	1	
51	AH61-00375A	BRKT-STOPPER	SUS 301 1/4H	1	
52	AH61-00399A	SHAFT-FEED	SUS 303	1	
53	AH64-00373A	HOLDER-VFD	ABS WHT	1	
54	AH64-00616A	CABINET-TOP	PCM 0.625T SILVER	1	
55	AH64-30416C	CABINET-BOTTOM	SECC 1.0T	1	
56	AH61-20540A	HOLDER-TUNER	PC/ABS BLACK	1	
57	AH64-00617B	CABINET-REAR	SECC 0.8T	1	1 VOL
	AH64-00617C	CABINET-REAR	SECC 0.8T	1	2 VOL
	AH64-00617D	CABINET-REAR	SECC 0.8T	1	1 VOL + SW
	AH64-00617E	CABINET-REAR	SECC 0.8T	1	2 VOL + SW
	AH64-00617F	CABINET-REAR	SECC 0.8T	1	1 VOL + DIGITAL OUT
58	AH64-00640B	KNOB-MIC,VOL	ABS L/GRAY(G6236)	1	OPTION
59	AH64-00633B	KNOB-ECHO	ABS L/GRAY(G6236)	1	OPTION

2-2-4 Parts List of Total Exploded view(MAX-N75)

No.	Code No.	Description	; Specification	Q'ty	Remarks
1	AH64-00615C	CABINET-FRONT	MIPS L/GRAY(G6236)	1	NONE MIC
	AH64-00615D	CABINET-FRONT	MIPS L/GRAY(G6236)	1	USE MIC1
2	AH64-70003H	BADGE-SAMSUNG	SAMSUNG,SILVER 30mm	1	
3	AH64-00621B	WINDOW-CD	PMMA 850-71129	1	
4	AH64-00620B	DOOR-CD	ABS L/GRAY(G6236)	1	
5	AH64-00622B	WINDOW-DOOR.CD	PMMA 850-71129	1	
6	AH61-00366B	CAP-FUNCTION	ABS D/GRAY(G3174)	1	
7	AH64-00623B	WINDOW-VFD	PMMA 850-41802	1	NONE RDS
	AH64-00623C	WINDOW-VFD	PMMA 850-41802	1	USE RDS
	AH64-00639B	KNOB-VOLUME	ABS L/GRAY(G6236)	1	
9	AH64-00624B	WINDOW-DOOR,A	PMMA 850-83239	1	
10	AH64-00625B	WINDOW-DOOR,B	PMMA 850-83239	1	
11	AH64-00618B	DOOR-CASS.A	ABS L/GRAY(G6236)	1	
12	AH64-00619B	DOOR-CASS.B	ABS L/GRAY(G6236)	1	
13	AH61-00365A	HOLDER-DOOR,A	ABS L/GRAY (G6236)	1	
14	AH61-00378A	HOLDER-DOOR,B	ABS L/GRAY (G6236)	1	
15	AH61-62004C	SPRING-EJECT,A	SUS 304 PI 1.0	1	
16	AH61-62005C	SPRING-EJECT,B	SUS 304 PI 1.0	1	
17	AH61-00376A	BRKT-MIC	SECC 1.0T	1	
18	AH64-00632B	KNOB-POWER	ABS L/GRAY (G6236)	1	
19	AH67-00056A	LENS-POWER	PMMA MILKY	1	
20	AH64-00634A	KNOB-TIMER	ABS D/GRAY(G3174)	1	
21	AH64-00631B	KNOB-DISC	ABS D/GRAY (G3174)	1	
22	AH67-00055A	LENS-DISC	PMMA CLR	1	
23	AH64-00630B	KNOB-OPEN	ABS L/GRAY (G6236)	1	
24	AH64-00635B	KNOB-FUNCTION	ABS D/GRAY(G3174)	1	
25	AH67-00057A	LENS-FUNCTION	PMMA CLR	1	
26	AH64-00636A	KNOB-TURBO	ABS D/GRAY(G3174)	1	
27	AH67-00058B	LENS-TURBO	PMMA CLR	1	
28	AH64-00637B	KNOB-EQ,1	ABS L/GRAY(G6236)	1	
29	AH64-00638B	KNOB-EQ,2	ABS L/GRAY(G6236)	1	
30	AH95-50001A	LATCH ASSY	POM BLACK	2	
31	AH61-80030A	DAMPER ASSY	POM BLACK	2	
32	AH64-00627B	KNOB-JOG	ABS L/GRAY (G6236)	1	
33	AH67-00059B	LENS-JOG	PMMA CLR	1	
34	AH64-00626B	DECO-JOG	ABS D/GRAY (G3174)	1	
35	AH61-00369B	CAP-MOV, TOP	ABS L/GRAY (G6236)	1	
36	AH67-00061A	LENS-ENTER	PMMA CLR	1	
37	AH64-00628B	KNOB-ENTER	ABS L/GRAY (G6236)	1	
38	AH67-00060A	LENS-MOVING	PMMA MILKY	1	
39	AH61-00370A	CAP-MOV,BOTTOM	PC/ABS GRAY(1PB-0401)	1	
40	AH61-00372A	HOLDER-FEED	NYLON 6/6 BLK	1	
41	AH61-00374A	BRKT-FEED	SUS 301 1/4H	1	
42	AH61-00371A	HOLDER-MOVING	PC/ABS GRAY(1PB-0401)	1	
43	AH61-00367B	CAP-UPPER	ABS GRAY(1PB-0401)	1	USE DOLBY NR
44	AH67-00062A	LENS-RECORD	PMMA MILKY	3	
45	AH64-00629B	KNOB-DECK	ABS L/GRAY (G6236)	1	
46	AH61-00368A	CAP-BOTTOM	ABS D/GRAY(G3174)	1	
47	AH61-00399B	SHAFT-GUIDE	SUS 303	1	
48	AH66-00114A	PULLEY-MOTOR	POM BLK	1	

No.	Code No.	Description	; Specification	Q'ty	Remarks
49	AH66-00108A	BELT	CR, MAX-N75	1	
50	AH66-00110A	PULLEY-SHAFT	POM BLK	1	
51	AH61-00375A	BRKT-STOPPER	SUS 301 1/4H	1	
52	AH61-00399A	SHAFT-FEED	SUS 303	1	
53	AH61-00373A	HOLDER-VFD	ABS WHT	1	
54	AH64-00616A	CABINET-TOP	PCM 0.625T SILVER	1	
55	AH64-30416C	CABINET-BOTTOM	SECC 1.0T	1	
56	AH61-20540A	HOLDER-TUNER	PC/ABS BLACK	1	
57	AH64-00617B	CABINET-REAR	SECC 0.8T	1	1 VOL
	AH64-00617C	CABINET-REAR	SECC 0.8T	1	2 VOL
	AH64-00617D	CABINET-REAR	SECC 0.8T	1	1 VOL + SW
	AH64-00617E	CABINET-REAR	SECC 0.8T	1	2 VOL + SW
	AH64-00617F	CABINET-REAR	SECC 0.8T	1	1 VOL + DIGITAL OUT
58	AH64-00640B	KNOB-MIC,VOL	ABS L/GRAY(G6236)	1	OPTION
59	AH64-00633B	KNOB-ECHO	ABS L/GRAY(G6236)	1	OPTION

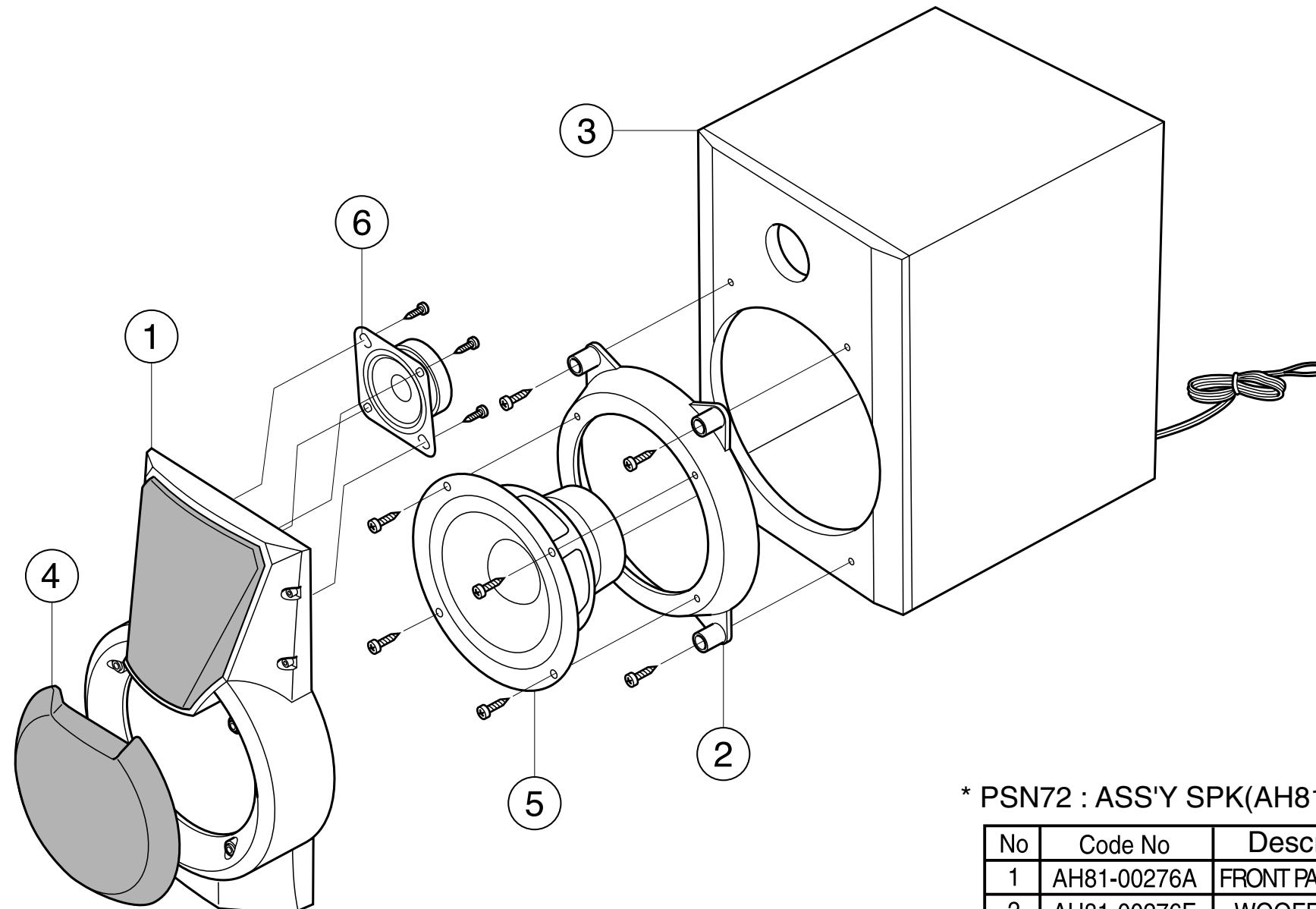
2-3 CD Deck Exploded View and Parts list



No.	Code No.	Description	Specification	Remarks
	AJ59-20150T	ASS'Y-DECK	CMS-300	
1	AH66-80022A	SLIDER-CAM	ABS HF-380 NTR	
2	AH66-60034A	BELT-LOAD	CR	
3	AH66-20186A	GEAR-PULLEY	POM (M90-44) WHT	
4	AH66-20187A	GEAR-LOAD	POM (M90-44) BLK	
5	AH66-20188A	GEAR-CAM	POM (M90-44) WHT	
6	AH66-20189A	GEAR-TRAY	POM (M90-44) BLK	
7	AH66-20190A	GEAR-CONVERT	POM (M90-44) WHT	
8	AH66-20191A	GEAR-SYNCRO	ABS HF-380 NTR	
9	AH66-20192A	GEAR-WORM	POM(M90-44),M0.5,PCD4.5	
10	AH31-12001A	MOTOR-LOADING	FF-030PN-09120	
11	AH66-20193A	GEAR-ROULLETE	POM(M90-44) BLK	
12	AH66-90056A	TRAY-ROULLETE	ABS XR-401 BLK	
13	AH66-90055A	TRAY-DISC	ABS BLK	
14	AH59-10099A	ASSY-PCB SENSOR	CMS-300,ASSY SENSOR	
15	AH61-00225A	BRKT-CHUCK	SECC T0.8,CMS-300	
16	3302-000159	MAGNET-CHUCK	AC,3500-3800G,2.6-3.2MGOe,30	
17	AH66-90057A	TABLE-CHUCK	,ABS,BLK,CMS-300	
18	AH69-20342B	SHEET-CHUCK	SHEET,HYMERON,BLK,0.4T	
19	AH59-10102A	ASSY-PCB SW	CMS-300,ASSY SW	
20	AH31-10021A	MOTOR-DC	RF-500TB,9VDC/130MA	
21	AH66-10008A	PULLEY-MOTOR	POM,BLK,CMS-CR3	
22	AH73-10031A	RUBBER-CD(R)	SI,CMS-300,40,RED	
23	AH91-60150A	CDP DECK ASSY	CMS-D50SG6,CMS-300D	
24	AH66-30098A	LEVER-LIFTER	ABS BLK CMS-300	
25	AH30-00003A	PICK-UP	SOH-AA,D51SG6(W/D/CO)	
26	AH73-10034A	RUBBER-CD(G)	SI,CMS-300,40,GREEN	
27	AH61-20428A	BASE-MAIN	ABS,BLK,CMS-300	

2-4 SPEAKER Exploded View and Parts list

2-4-1 MAX-N72

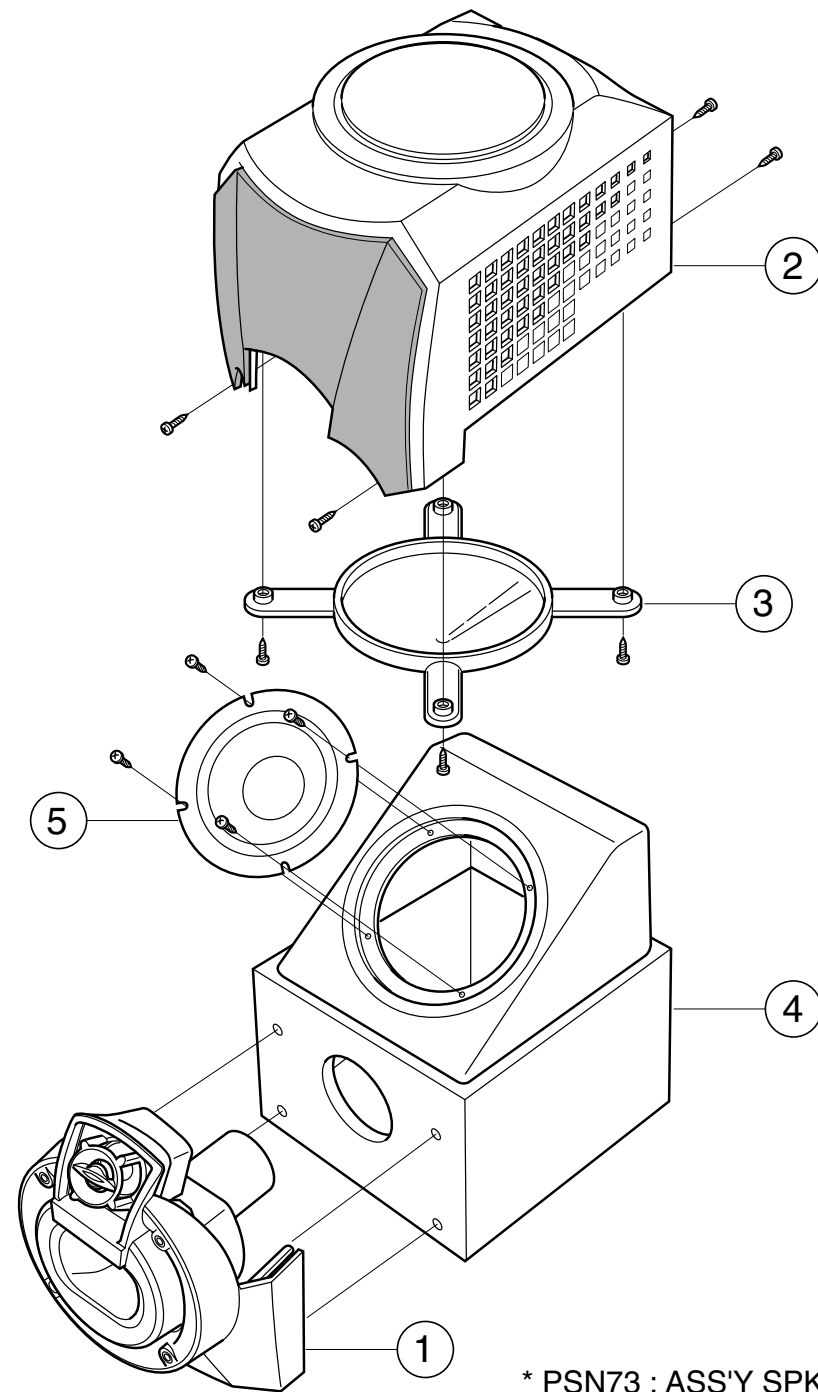


* PSN72 : ASS'Y SPK(AH81-00253A)

No	Code No	Description
1	AH81-00276A	FRONT PANEL ASS'Y
2	AH81-00276F	WOOFER RING
3	AH81-00276G	CABINET WOODEN
4	AH81-00276J	NET ASS'Y
5	AH81-00277R	UNIT W/F 6 1/2"
6	AH81-00277T	UNIT T/W 2 1/4"

* CAUTION : It is used the bonding, connet FRONT PANEL ASS'Y to CABINET ASS'Y.
So when the disassembly, take extreme care not to damage the SPEAKER.

2-4-2 MAX-N73

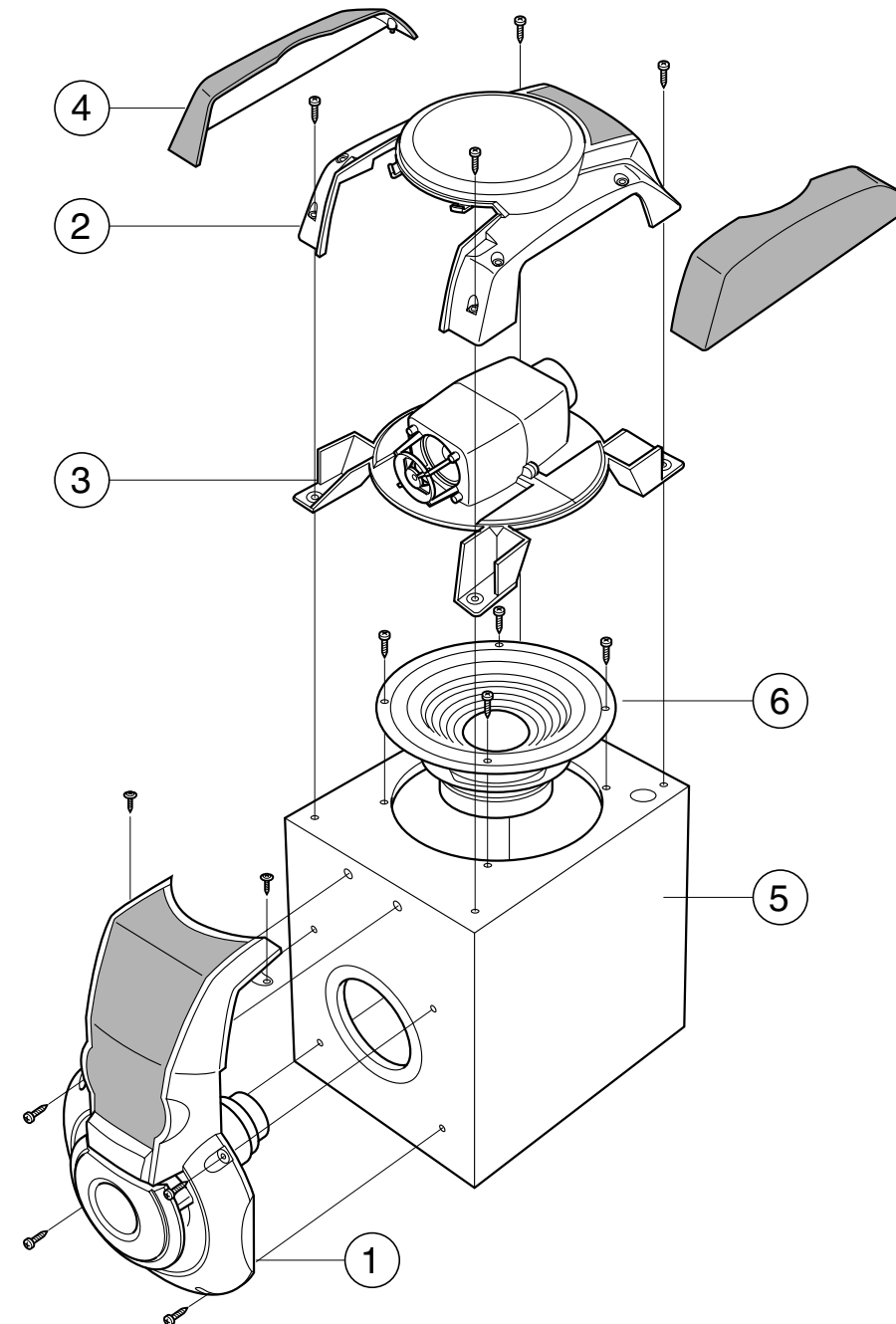


* PSN73 : ASS'Y SPK(AH81-00252A)

No	Code No	Description
1	AH81-00277A	FRONT PANEL ASS'Y
2	AH81-00277D	TOP PANEL ASS'Y
3	AH81-00277G	REFLECTOR
4	AH81-00277J	CABINET ASS'Y 6 1/4"
5	AH81-00277R	UNIT W/F 6 1/4"

* CAUTION : It is used the bonding, connet FRONT PANEL ASS'Y to CABINET ASS'Y.
So when the disassembly, take extreme care not to damage the SPEAKER.

2-4-3 MAX-N75



* PSN75 : ASS'Y SPK(AH81-00251A)

No	Code No	Description	No	Code No	Description
1	AH81-00275A	FRONT PANEL ASS'Y	6	AH81-00275U	UNIT W/F 8"
2	AH81-00275G	TOP PANEL ASS'Y			
3	AH81-00275K	REFLECTOR			
4	AH81-00275Q	NET			
5	AH81-00275R	CABINET ASS'Y			