

Service
Service
Service



Service Manual



TABLE OF CONTENTS

	Page
Location of pc boards & Version variations	1-2
Technical Specifications	1-3
Measurement setup	1-4
Service Aids, Safety Instruction, etc.	1-5
Disassembly Instructions & Service positions	2-1
Service Test Program	3-1
Region code, Software version & upgrades	3-2
Set Block diagram & Wiring diagram	4
PSU board (<i>For info only</i>)	5
Front Board	6
Mono AV Board	7
Amplifier Board	8
Speaker Connector Board	9
Set Mechanical Exploded view & parts list	10
History	11

© Copyright 2003 Philips Consumer Electronics B.V. Eindhoven, The Netherlands
All rights reserved. No part of this publication may be reproduced, stored in a retrieval system or transmitted, in any form or by any means, electronic, mechanical, photocopying, or otherwise without the prior permission of Philips.

Published by KC 0327 Service Audio Printed in The Netherlands Subject to modification

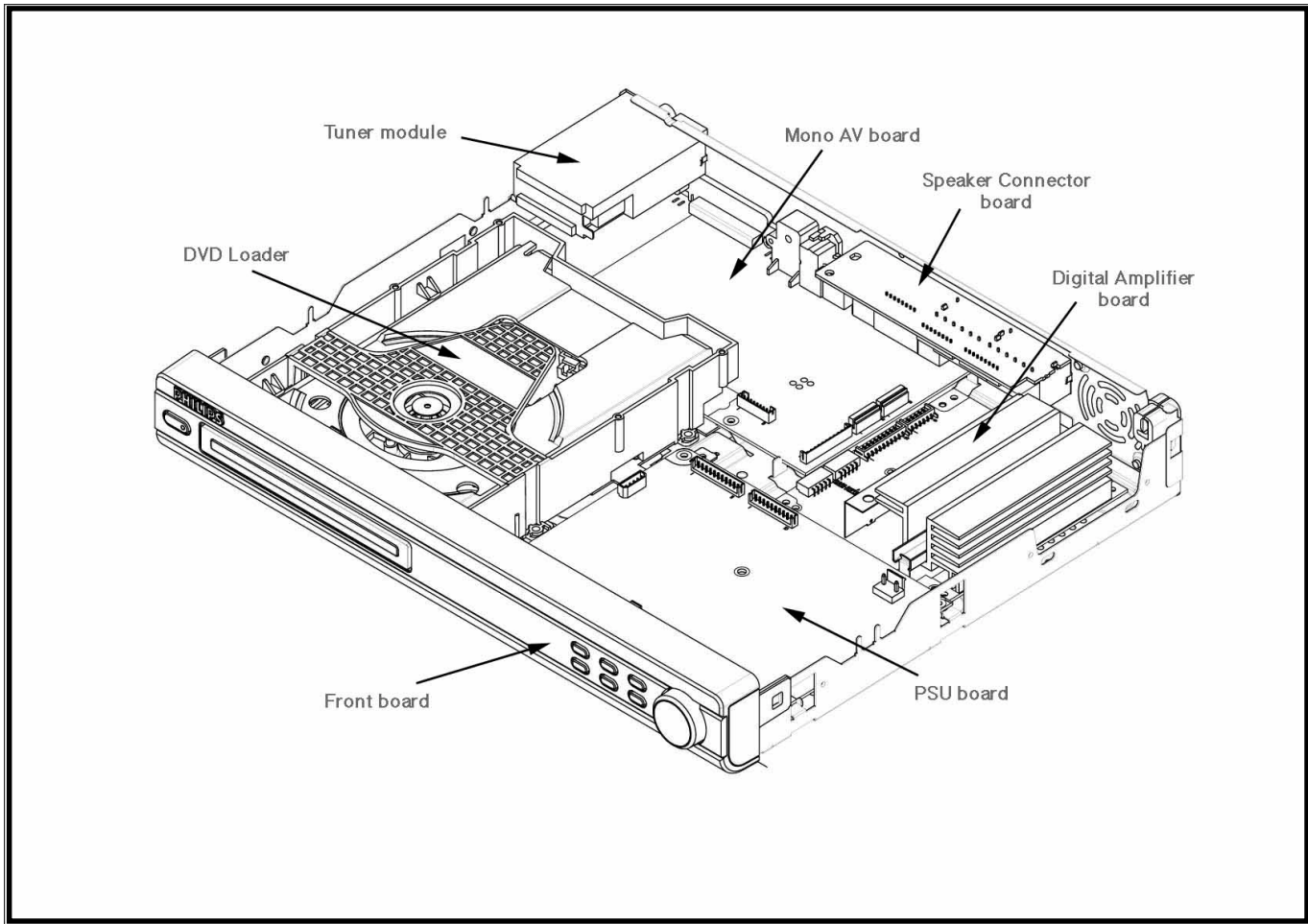
Version 1.1



3139 785 30371

PHILIPS

LOCATION OF PC BOARDS



VERSION VARIATIONS:

Features & Board in used:	Type /Versions:	LX3600D						
		/17	/22	/25	/69	/75	/78	/93
Progressive Scan		x			x			
Voltage Selector					x ¹⁾		x	
Aux-In		x	x	x	x	x	x	x
TV-In		x			x	x	x	x
Line-Out		x	x	x	x	x	x	x
Composite (CVBS) Output		x			x	x	x	x
S-Video Output		x	x	x	x	x	x	x
Component (Pr/Y/Pb) Outputs		x			x	x	x	x
SCART Output			x	x				

¹⁾ Production start-up with 220-240V PSU before changeover to PSU with voltage selector

SPECIFICATIONS**GENERAL:**

Mains voltage : 120V for /17
 220-240V for /22/25/75
 110-127V/220-240V Switchable for /69/78

Mains frequency : 50/60Hz
 Power consumption : < 2W at Standby
 < 80W 1/8 P_{rated}
 Dimension centre unit : 360 x 54 x 316mm

TUNER:**FM**

Tuning range : 87.5-108MHz
 Grid : 50kHz
 IF frequency : 10.7MHz ± 25kHz
 Aerial input : 75Ω coaxial
 Sensitivity at 26dB S/N : < 7μV
 Selectivity at 600kHz bandwidth : > 25dB
 IF rejection : > 60dB
 Image rejection : > 25dB
 Distortion at RF=1mV, dev. 75kHz : < 3%
 -3dB Limiting point : 8μV
 Crosstalk at RF=1mV, dev. 40kHz : > 18dB

MW

Tuning range : 531-1602kHz
 530-1700kHz for /17/69
 Grid : 9kHz
 10kHz for /17/69
 IF frequency : 450kHz ± 1kHz
 Aerial input : Frame aerial
 Sensitivity at 26dB S/N : < 4.0mV/M
 Selectivity at 18kHz bandwidth : > 20dB
 IF rejection : > 45dB
 Image rejection : > 28dB
 Distortion at RF=50mV, m=80% : < 5%

AMPLIFIER:

Stereo mode (DIN) : 2 x 50W RMS¹⁾
 Surround mode²⁾ : 50W RMS/channel
 Frequency response ±3dB : 100Hz-20kHz
 Hum (min, volume) : 200nW
 Residue noise (min, volume) : 40nW
 Input sensitivity

Aux-in : 900mV ± 3dB at 39kΩ
 Scart-in : 500mV ± 3dB at 39kΩ

Output sensitivity

Line out : 700mV ± 2dB at 47kΩ
 Scart-out : 600mV ± 2dB at 10kΩ

COMPACT DISC/VCD/DVD:

Video Decoding : MPEG-2 / MPEG-1
 Video DAC : 8 Bits
 Signal System : PAL / NTSC
 Video Format : 4:3 / 16:9
 MP3-CD bit rate³⁾ : 32-256 kbs, variable bitrates
 MP3-CD sampling frequencies⁵⁾ : 32kHz, 44.1kHz, 48kHz

CBVS out⁴⁾

CVBS level : 1.0 ± 0.1V_{p-p}
 Luminance S/N ratio : > 55dB

YUV out⁴⁾

Amplitude : 0.7V ± 0.1V
 S/N ratio : > 60dB

S-Video out⁴⁾

Y level : 1.0 ± 0.1V_{p-p}
 Y S/N ratio : > 60dB
 C level (burst) : 286mV_{p-p} +1/-4 dB

¹⁾ with 4Ω, 1kHz & 10% THD

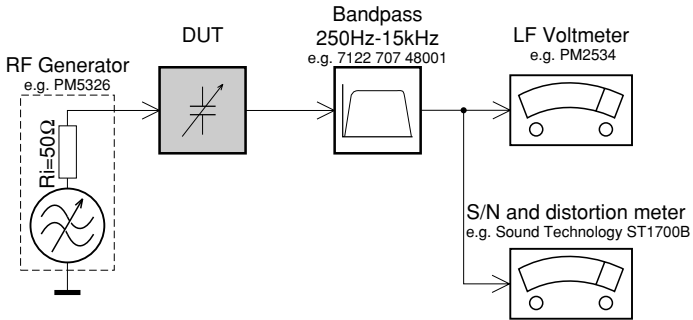
²⁾ with only channel(s) under measurement loaded, all other channels are unloaded.

³⁾ Recording format: ISO9660, UDF format is not supported.

⁴⁾ Output terminals terminated with 75Ω

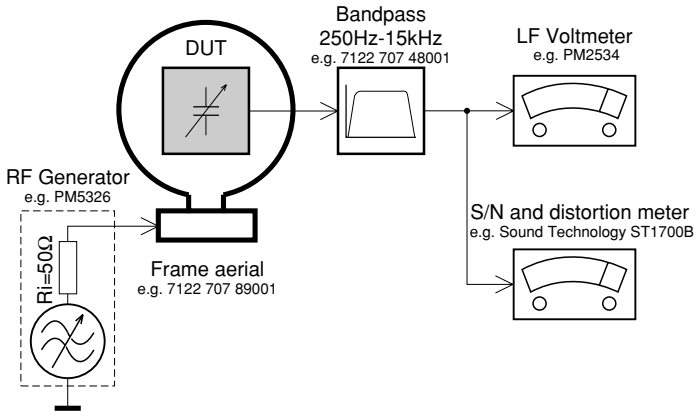
MEASUREMENT SETUP

Tuner FM



Use a bandpass filter to eliminate hum (50Hz, 100Hz) and disturbance from the pilotone (19kHz, 38kHz).

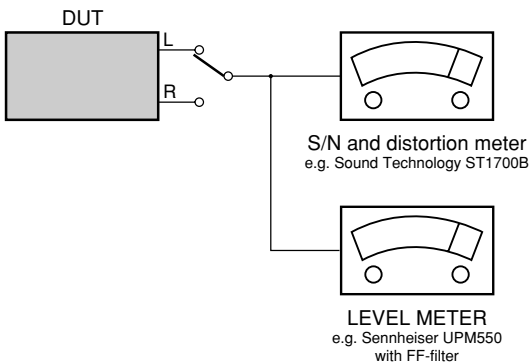
Tuner AM (MW,LW)



To avoid atmospheric interference all AM-measurements have to be carried out in a Faraday's cage.
Use a bandpass filter (or at least a high pass filter with 250Hz) to eliminate hum (50Hz, 100Hz).

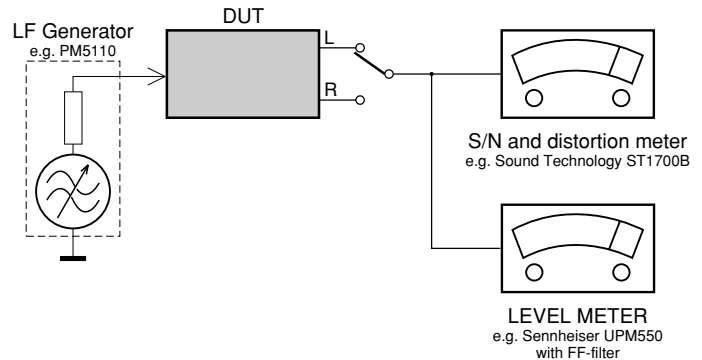
CD

Use Audio Signal Disc SBC429 4822 397 30184
(replaces test disc 3)



Recorder

Use Universal Test Cassette **CrO2** SBC419 4822 397 30069
or Universal Test Cassette **Fe** SBC420 4822 397 30071



SERVICE AIDS

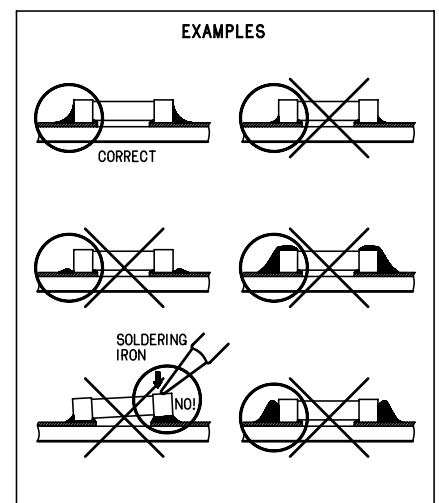
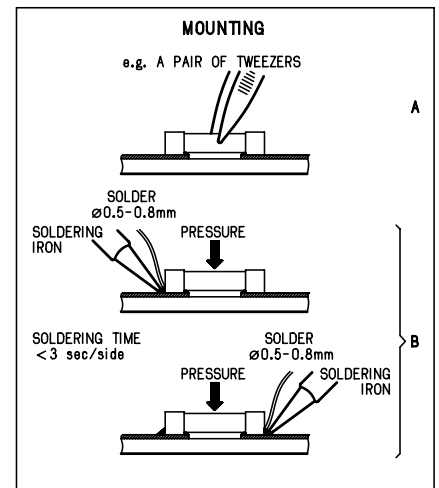
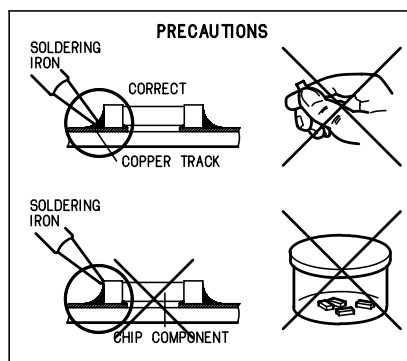
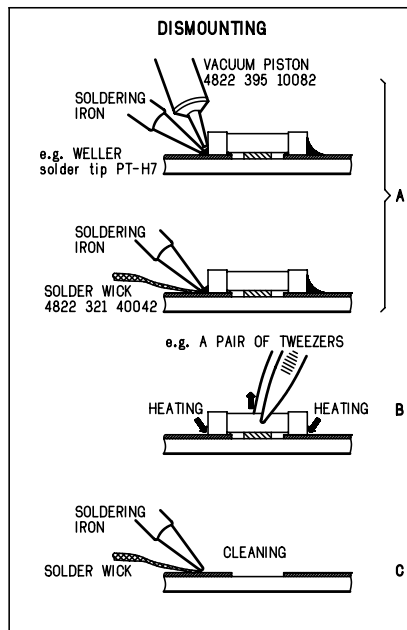
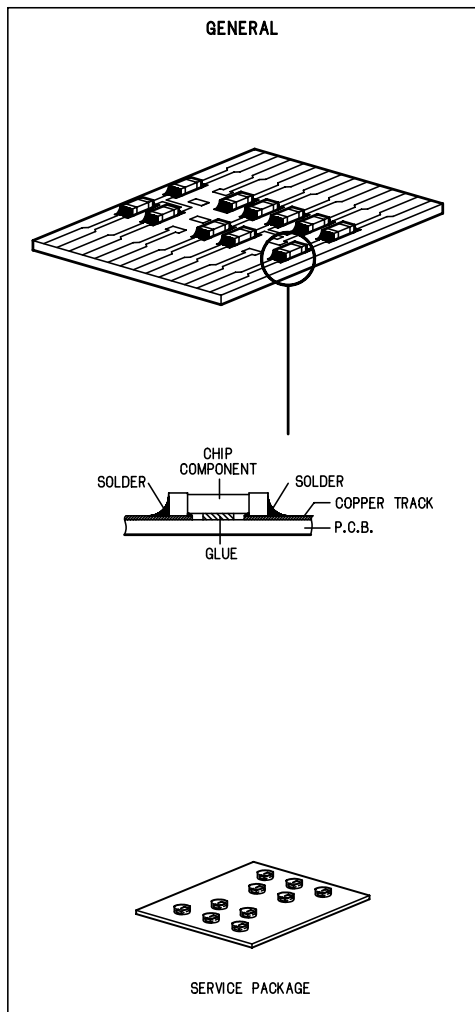
Service Tools:

Universal Torx driver holder	4822 395 91019
Torx bit T10 150mm	4822 395 50456
Torx driver set T6 - T20	4822 395 50145
Torx driver T10 extended	4822 395 50423

Compact Disc:

SBC426/426A Test disc 5 + 5A	4822 397 30096
SBC442 Audio Burn-in Test disc 1kHz	4822 397 30155
SBC429 Audio Signals disc	4822 397 30184
Dolby Pro-logic Test Disc	4822 395 10216

HANDLING CHIP COMPONENTS



(GB) WARNING

All ICs and many other semi-conductors are susceptible to electrostatic discharges (ESD). Careless handling during repair can reduce life drastically.

When repairing, make sure that you are connected with the same potential as the mass of the set via a wrist wrap with resistance. Keep components and tools also at this potential.

(F) ATTENTION

Tous les IC et beaucoup d'autres semi-conducteurs sont sensibles aux décharges statiques (ESD).

Leur longévité pourrait être considérablement écourtée par le fait qu'aucune précaution n'est prise à leur manipulation.

Lors de réparations, s'assurer de bien être relié au même potentiel que la masse de l'appareil et enfilez le bracelet serti d'une résistance de sécurité.

Veiller à ce que les composants ainsi que les outils que l'on utilise soient également à ce potentiel.

(D) WARNUNG

Alle ICs und viele andere Halbleiter sind empfindlich gegenüber elektrostatischen Entladungen (ESD).

Unvorsichtige Behandlung im Reparaturfall kann die Lebensdauer drastisch reduzieren.

Veranlassen Sie, dass Sie im Reparaturfall über ein Pulsarmband mit Widerstand verbunden sind mit dem gleichen Potential wie die Masse des Gerätes.

Bauteile und Hilfsmittel auch auf dieses gleiche Potential halten.

(NL) WAARSCHUWING

Alle IC's en vele andere halfgeleiders zijn gevoelig voor electrostatische ontladingen (ESD). Onzorgvuldig behandelen tijdens reparatie kan de levensduur drastisch doen verminderen.

Zorg ervoor dat u tijdens reparatie via een polsband met weerstand verbonden bent met hetzelfde potentiaal als de massa van het apparaat.

Houd componenten en hulpmiddelen ook op hetzelfde potentiaal.

(I) AVVERTIMENTO

Tutti IC e parecchi semi-conduttori sono sensibili alle scariche statiche (ESD).

La loro longevità potrebbe essere fortemente ridotta in caso di non osservazione della più grande cauzione alla loro manipolazione.

Durante le riparazioni occorre quindi essere collegato allo stesso potenziale che quello della massa dell'apparecchio tramite un braccialetto a resistenza.

Assicurarsi che i componenti e anche gli utensili con quali si lavora siano anche a questo potenziale.

ESD**(GB) ESD PROTECTION EQUIPMENT:**

Complete Kit ESD3 (small tablemat, wristband, connection box, extension cable and earth cable) 4822 310 10671
Wristband tester 4822 344 13999

(GB)

Safety regulations require that the set be restored to its original condition and that parts which are identical with those specified, be used

Safety components are marked by the symbol \triangle .

(NL)

Veiligheidsbepalingen vereisen, dat het apparaat bij reparatie in zijn oorspronkelijke toestand wordt teruggebracht en dat onderdelen, identiek aan de gespecificeerde, worden toegepast.

De Veiligheidsonderdelen zijn aangeduid met het symbool \triangle .

(F)

Les normes de sécurité exigent que l'appareil soit remis à l'état d'origine et que soient utilisés les pièces de rechange identiques à celles spécifiées.

Less composants de sécurité sont marqués \triangle .

(D)

Bei jeder Reparatur sind die geltenden Sicherheitsvorschriften zu beachten. Der Originalzustand des Geräts darf nicht verändert werden; für Reparaturen sind Original-Ersatzteile zu verwenden.

Sicherheitsbauteile sind durch das Symbol \triangle markiert.

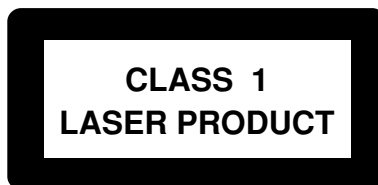
(I)

Le norme di sicurezza esigono che l'apparecchio venga rimesso nelle condizioni originali e che siano utilizzati i pezzi di ricambio identici a quelli specificati.

Componenti di sicurezza sono marcati con \triangle .

(GB)

After servicing and before returning set to customer perform a leakage current measurement test from all exposed metal parts to earth ground to assure no shock hazard exist. The leakage current must not exceed 0.5mA.

**(GB) Warning !**

Invisible laser radiation when open.
Avoid direct exposure to beam.

(S) Varning !

Osynlig laserstrålning när apparaten är öppnad och spärren är urkopplad. Betrakta ej strålen.

(SF) Varoitus !

Avatussa laitteessa ja suoalukituksen ohitettaessa olet alltiina näkymättömälle laserisäteilylle. Älä katso säteeseen!

(DK) Advarse !

Usynlig laserstrålning ved åbning når sikkerhedsafbrydere er ude af funktion. Undgå udsættelse for strålning.

(F)

"Pour votre sécurité, ces documents doivent être utilisés par des spécialistes agréés, seuls habilités à réparer votre appareil en panne".

DISMANTLING INSTRUCTIONS

Dismantling of the Front Panel assembly

- 1) Open the Tray and remove the tray cover assy (pos 5 + 7) and remove it as shown in figure 1.

Note: The Tray can be manually open by inserting a minus screw driver (approximately 9mm) and push lever in the direction shown in figure 2.



Figure 1

- 2) Loosen the 5 screws to dismantle the Top Cover (pos 252)
 - 2 screws on each side
 - 3 screws on the Rear Panel (pos 251).
- 3) Uncatch 4 catches C2 (2x on side & 2x on the bottom) to slide the Front Panel assembly (pos 101) as per figure 4.



Figure 2

Dismantling of the Tuner Module, Loader Mechanism & Mono AV board

- 1) Loosen 2 screws A to remove the Tuner Module (pos 1216) as per figure 3.
- 2) With the tray cover assembly (pos 5 + 7) already removed, loosen 4 screws D to remove the Loader Mechanism (pos 1210) as per figure 4.
- 3) Loosen 4 screws C on the rear and 2 screws G (see figure 3 and 4) to remove the Mono AV board (pos 1212).

Dismantling of the PSU, Speaker Connector and Amplifier boards

- 1) Loosen 4 screws E and 1 catch C1 to remove the PSU board (pos 1215) as per figure 4.
- 2) Loosen 2 screws B to remove the Speaker Connector board (pos 1211) as per figure 3.
- 3) Loosen 4 screws F to remove the Amplifier board (pos 1214) as per figure 4.

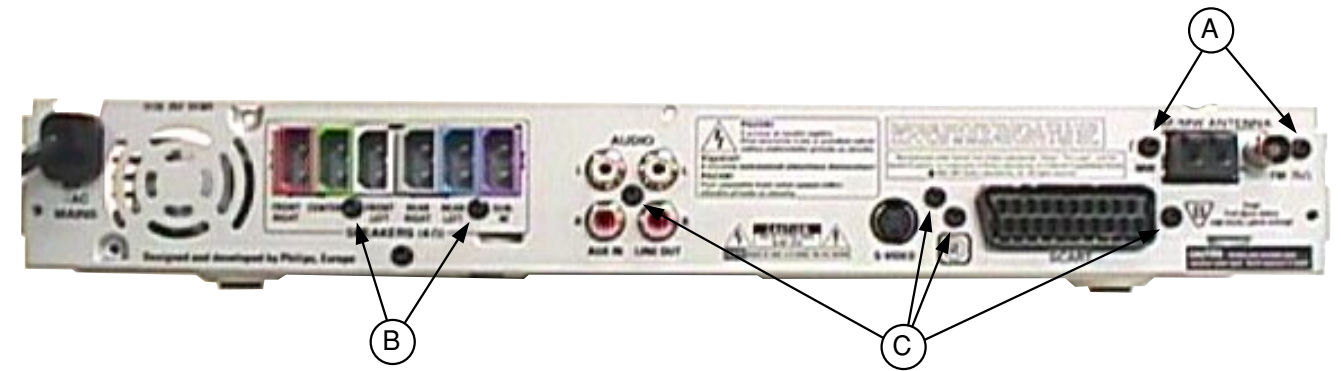


Figure 3

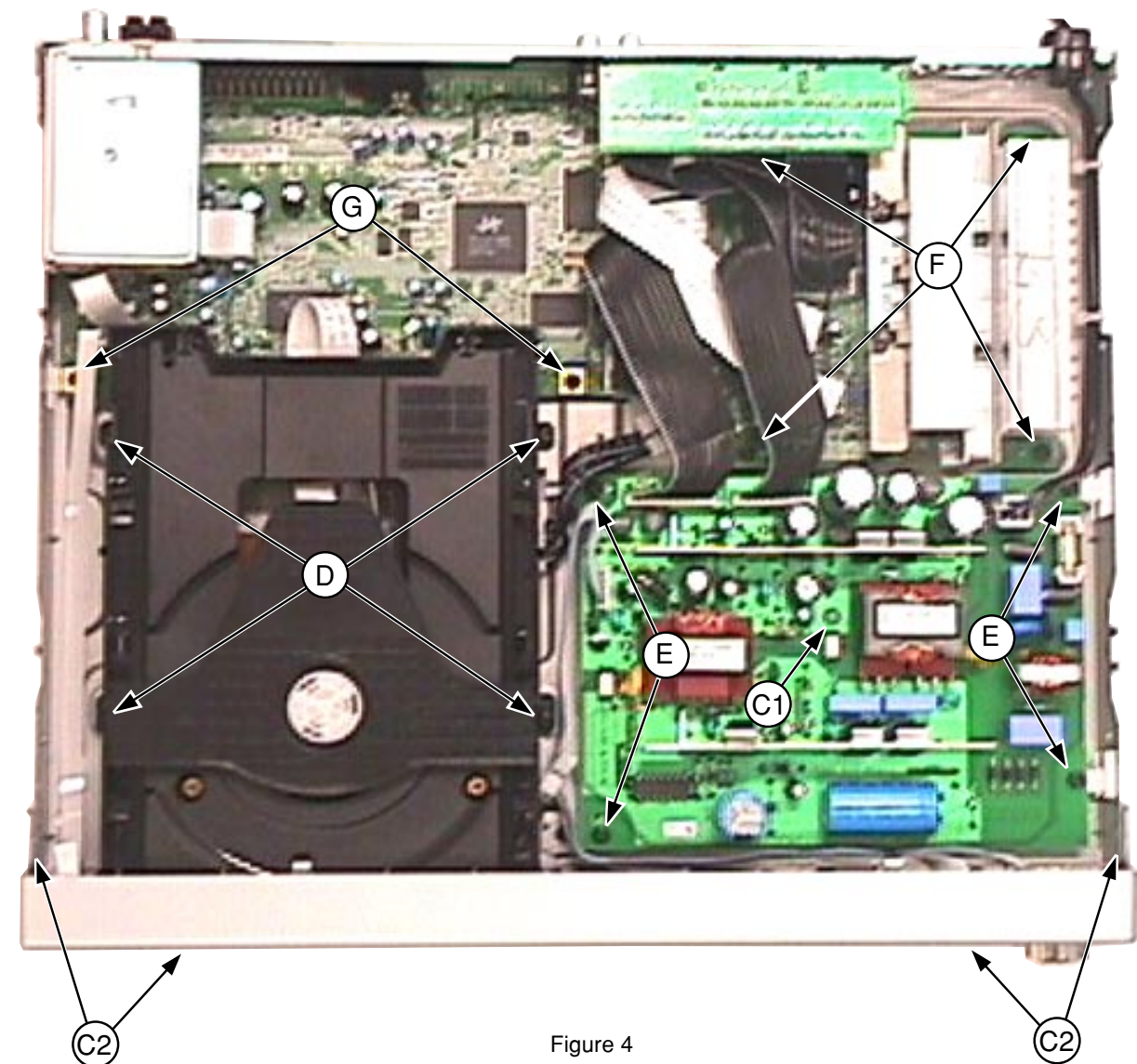
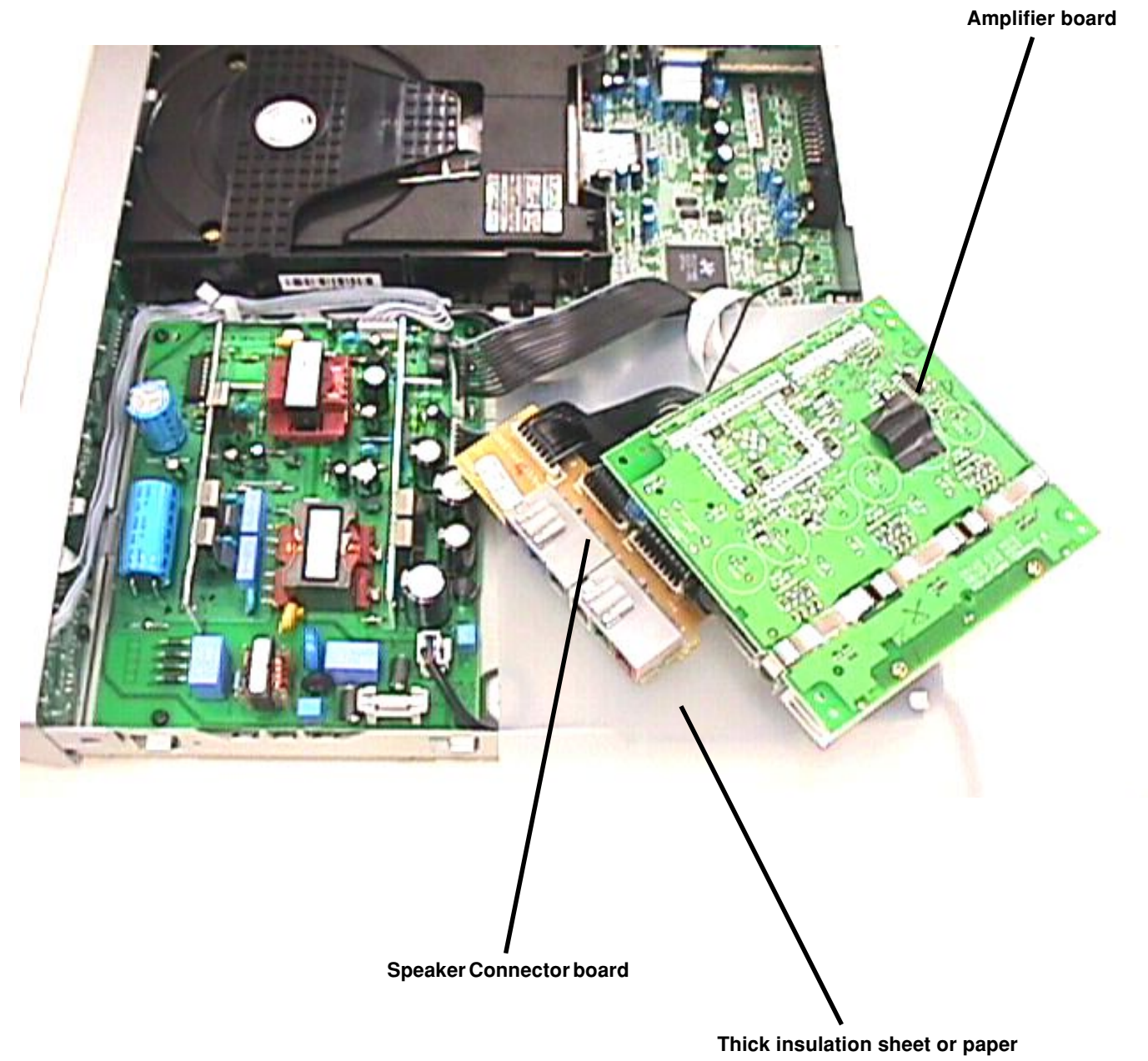
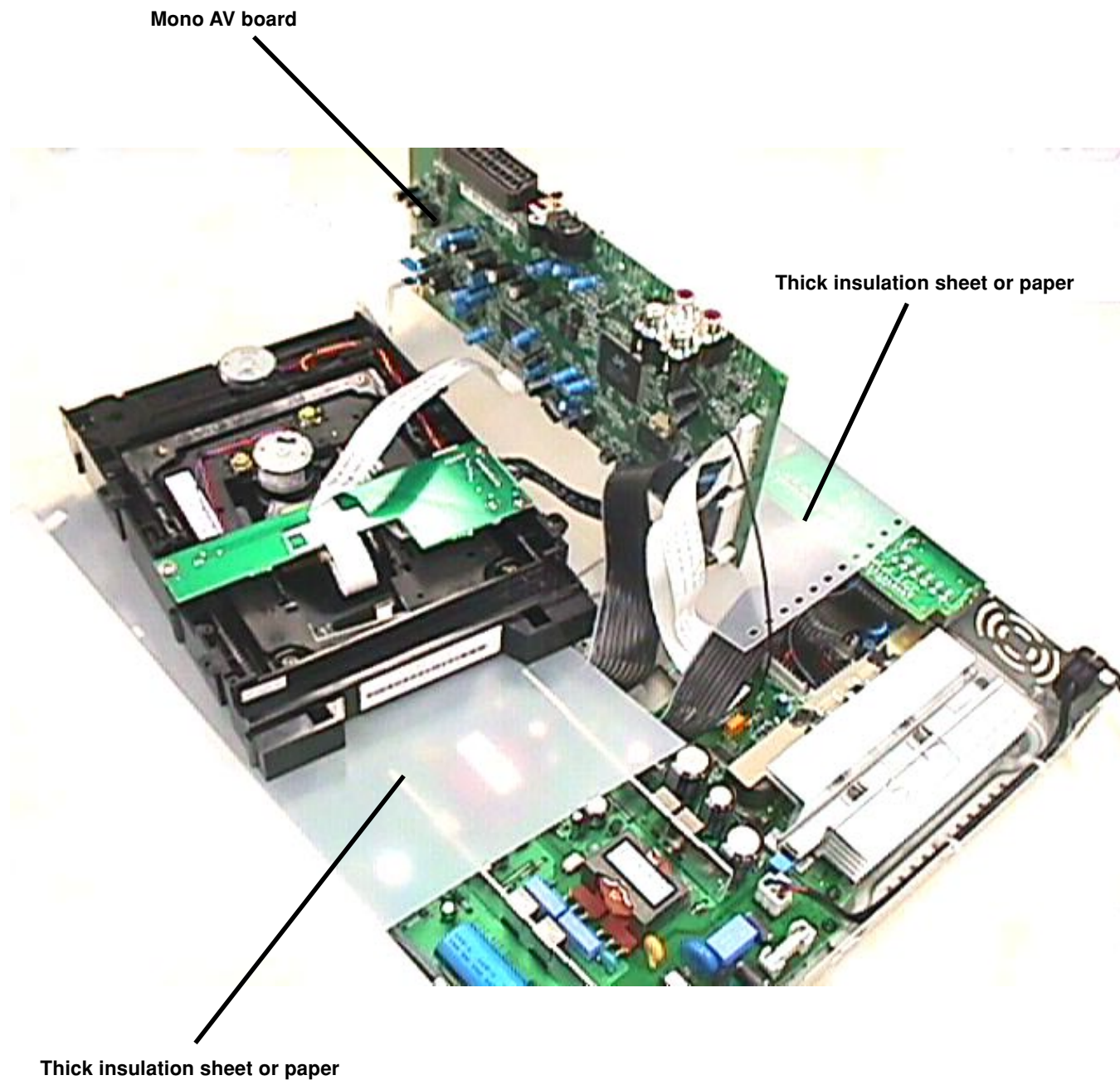
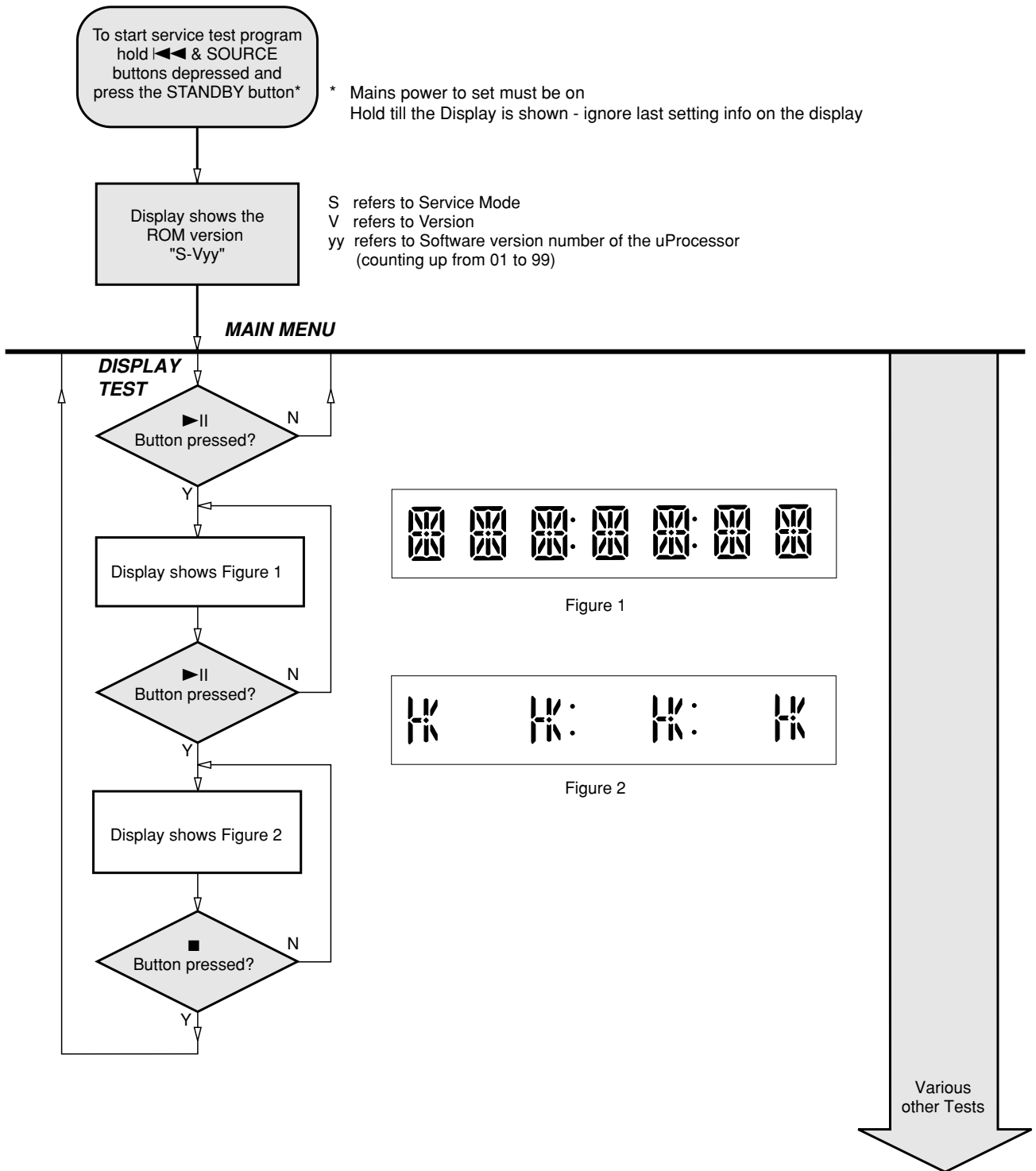


Figure 4

Service positions



SERVICE TEST PROGRAM



TEST	Activated with	ACTION
EEPROM FORMAT TEST	◀◀	Load default data. Display shows "NEW" for 1 second. Caution! All presets from the customer will be lost!!
ROTARY ENCODER TEST	SOURCE / VOLUME Knob	Display shows value for 2 seconds. Values increases or decreases in steps of 1 until 0 (Min.) or 40 (Max.) is reached.
LEAVE SERVICE TEST PROGRAM	Disconnect mains cord	

Procedure to change Tuner Grid (not for /00/25/17)

During the standby mode, hold the SOURCE and PLAY buttons down and press the STANDBY button.

The display will show the new tuning grid "GRID 9" or "GRID 10".

Note: Repeating the same action will toggle back to its previous tuning grid setting.

Reprogramming of DVD version Matrix *

After repair of the Mono AV board the customer setting and region code may be lost.

Reprogramming will put the set back in the state in which it has left the factory, ie. with the default setting and the allowed region code.

To reprogram do as follows:

- 1) Put the set in Stop mode with tray open
- 2) Press the following buttons on the Remote Control:
 - <9> <9> <9> <9> <AUDIO> <8> for LX3600D/17
 - <9> <9> <9> <9> <AUDIO> <1> for LX3600D/22
 - <9> <9> <9> <9> <AUDIO> <1> for LX3600D/25
 - <9> <9> <9> <9> <AUDIO> <3> for LX3600D/69
 - <9> <9> <9> <9> <AUDIO> <4> for LX3600D/75
 - <9> <9> <9> <9> <AUDIO> <6> for LX3600D/78
 - <9> <9> <9> <9> <AUDIO> <2> for LX3600D/93
 - <9> <9> <9> <9> <AUDIO> <5> .. for LX3600D India Kit
 - <9> <9> <9> <9> <AUDIO> <7> . for LX3600D Brazil Kit
 - <9> <9> <9> <9> <AUDIO> <1> for MRD260/22

* Note: Applicable for software version 27 onwards. For lower versions the set must be upgraded first before the DVD version matrix is applicable.

Procedure for check Software version

- 1) Power up the set and open tray in DVD mode.
- 2) Press OSD button on the Remote control.
- 3) The TV screen will shows:

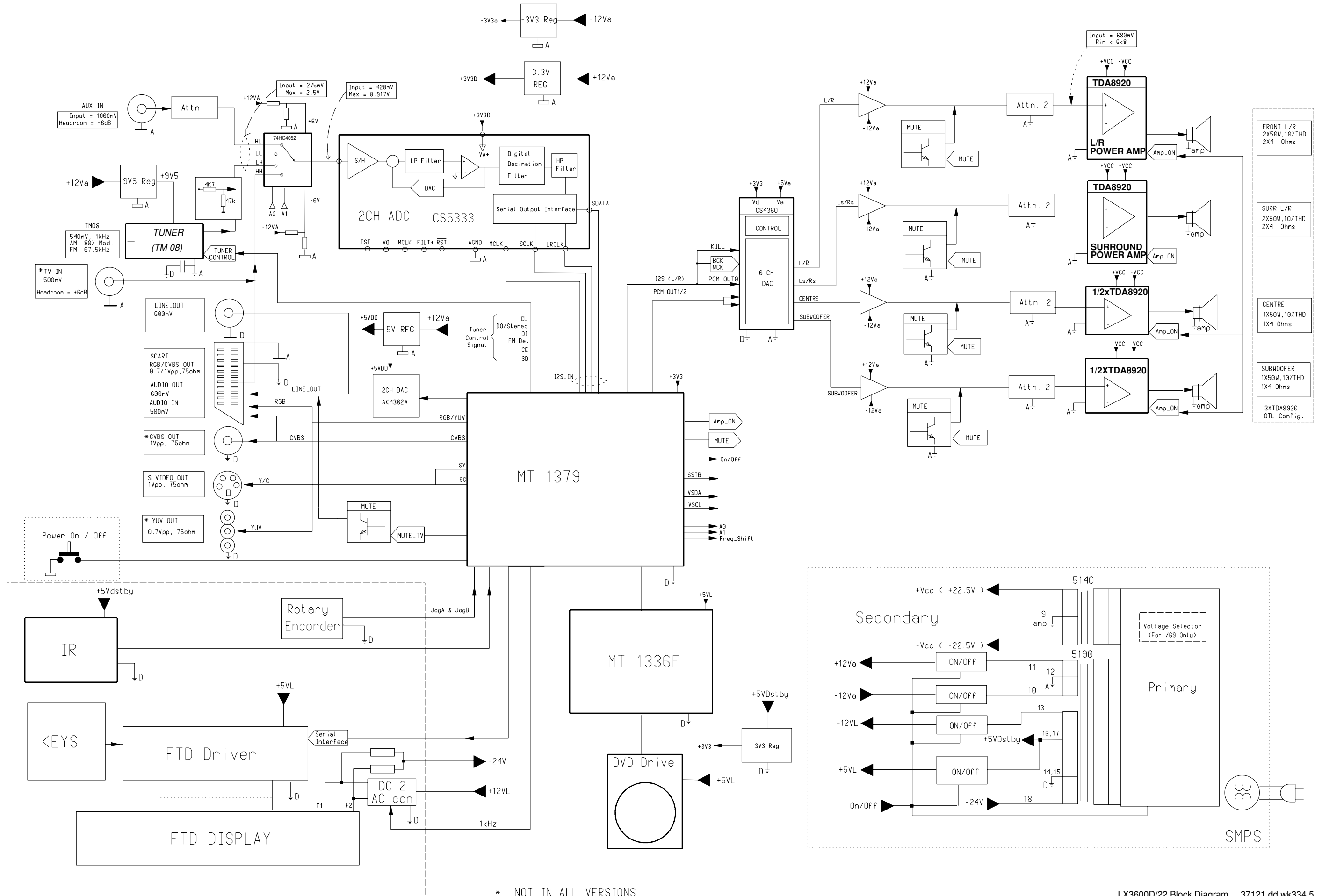

```
SERVO:nnnnnnnn REG:r
MMMMMMM-yymmdd-Vxx SSS
```

 where
 - nnnnnnnn = servo version number
 - r = region number
 - MMMMMMM = LX3600D or MRD260
 - yymmdd = software date in year, month, day format
 - xx = version number
 - SSS = stroke version eg. /00 or /05, etc.

Procedure to upgrade software

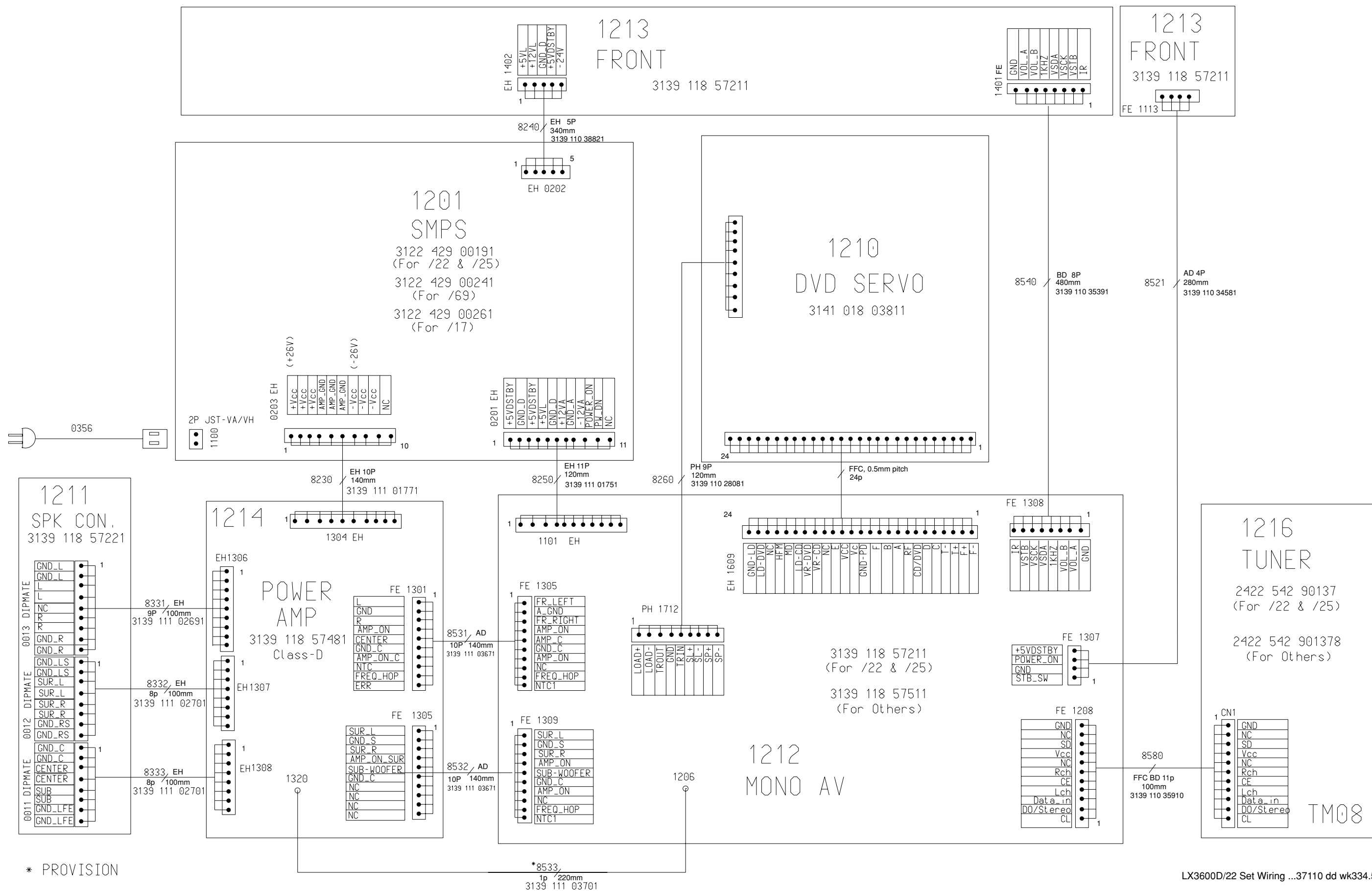
- 1) Power up the set and open tray in DVD mode.
- 2) Place upgrade CD-ROM onto tray and close.
- 3) The set will response and display the following:
 - LOAD [After the disc is read, the tray will open for you to remove the disc]
 - ERASE 0 -> ERASE F -> ERASE 0
 - WRITE F -> WRITE 0
 - UPG END [only for a short moment, if unsuccessful ERROR is displayed]
 - DISC
 - LOAD [Tray will close indicating that the upgrade process is completed]
- 4) Unplug the set to disconnect the mains supply.
- 5) The whole process should last for about 5 minutes.

SET BLOCK DIAGRAM



* NOT IN ALL VERSIONS

WIRING DIAGRAM



* PROVISION

PSU BOARD

(For Information only)

It is not recommended for component repair on this board but to replace the board when it becomes defective.

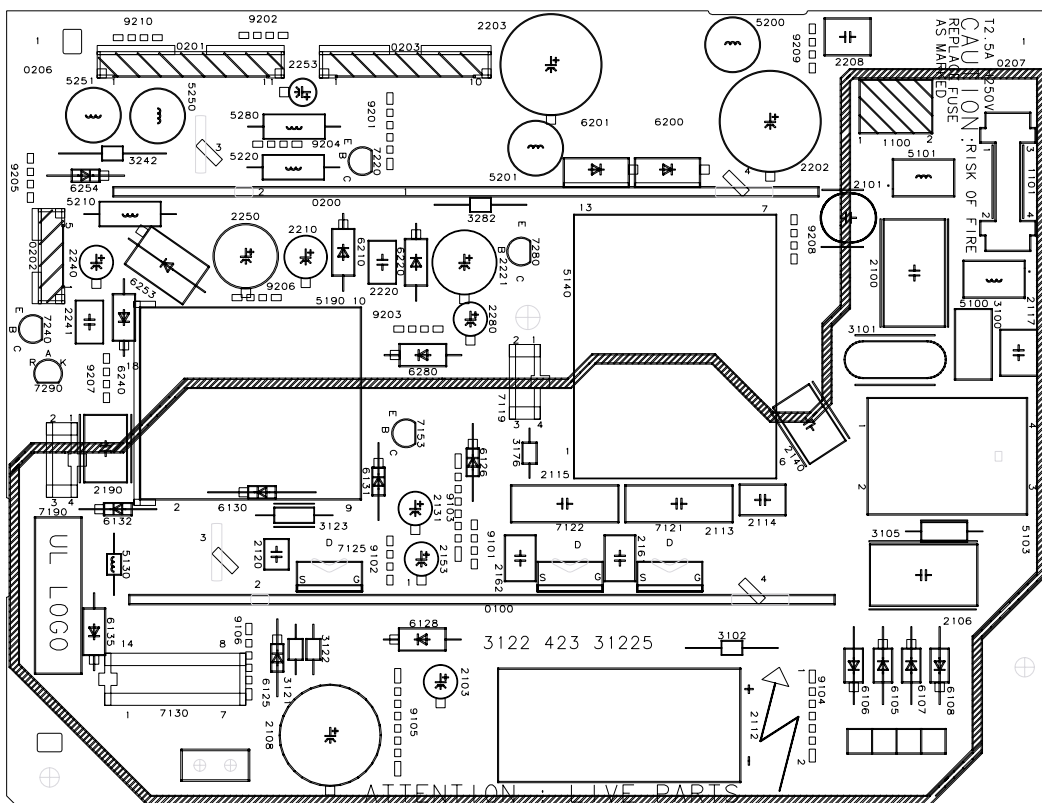
Therefore no service parts list is published in this chapter.

The only service part available for replacement is:

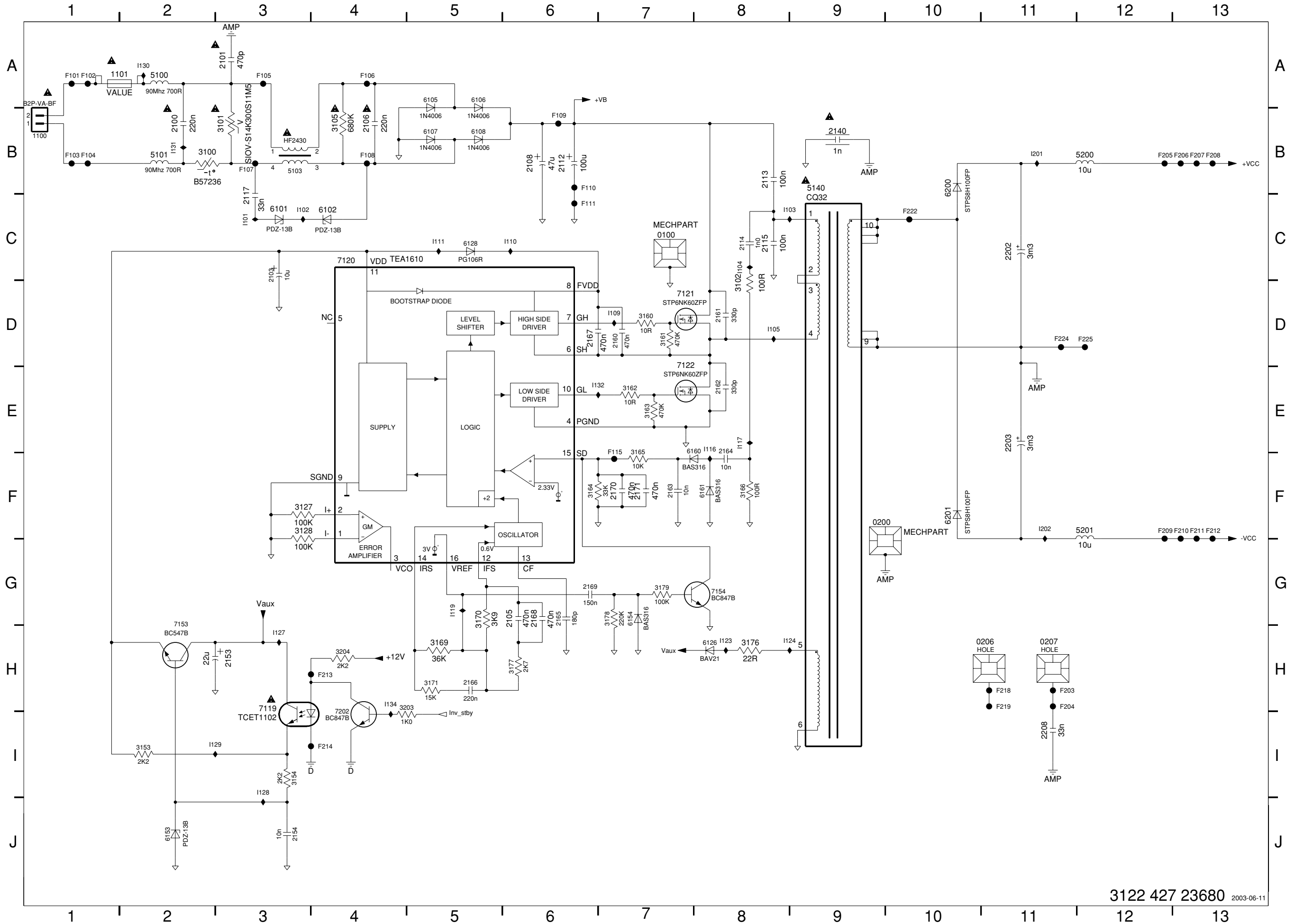
PSU Board 220V-240V 3122 429 00191

PSU Board Voltage Selector 3122 429 00241

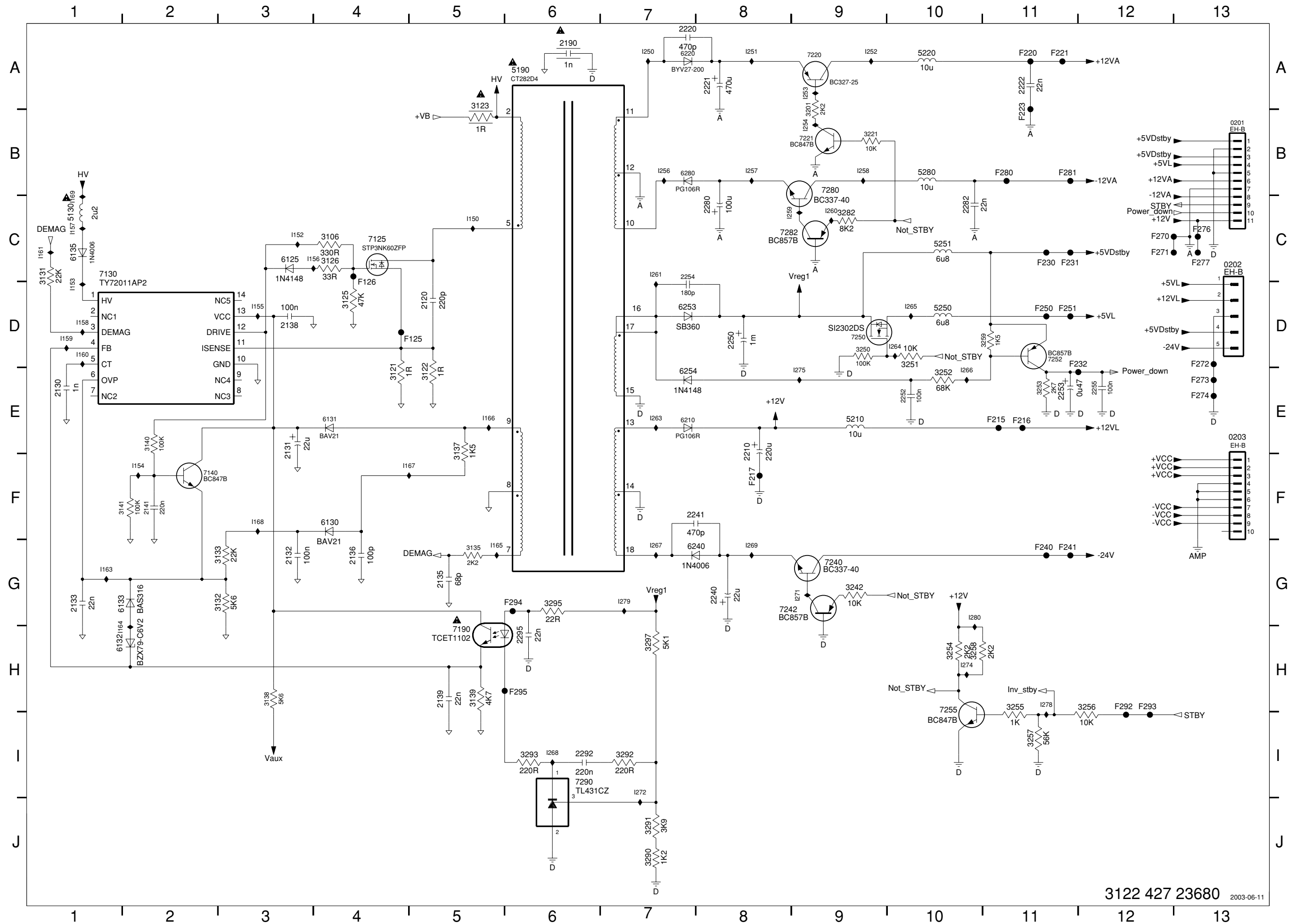
PSU Board 120V 3122 429 00261



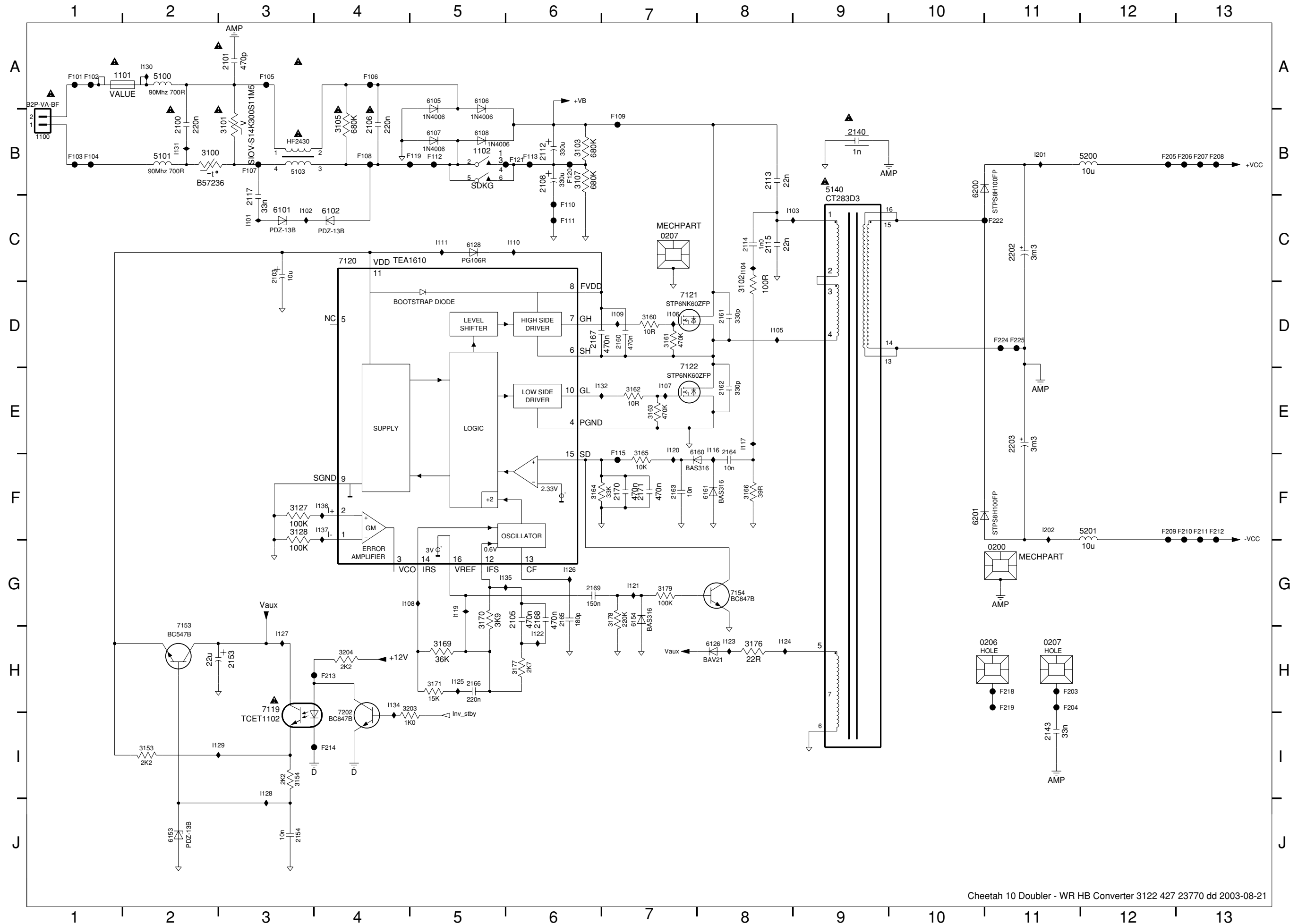
PSU CIRCUIT 1 - 220-240V version (FOR INFORMATION ONLY)



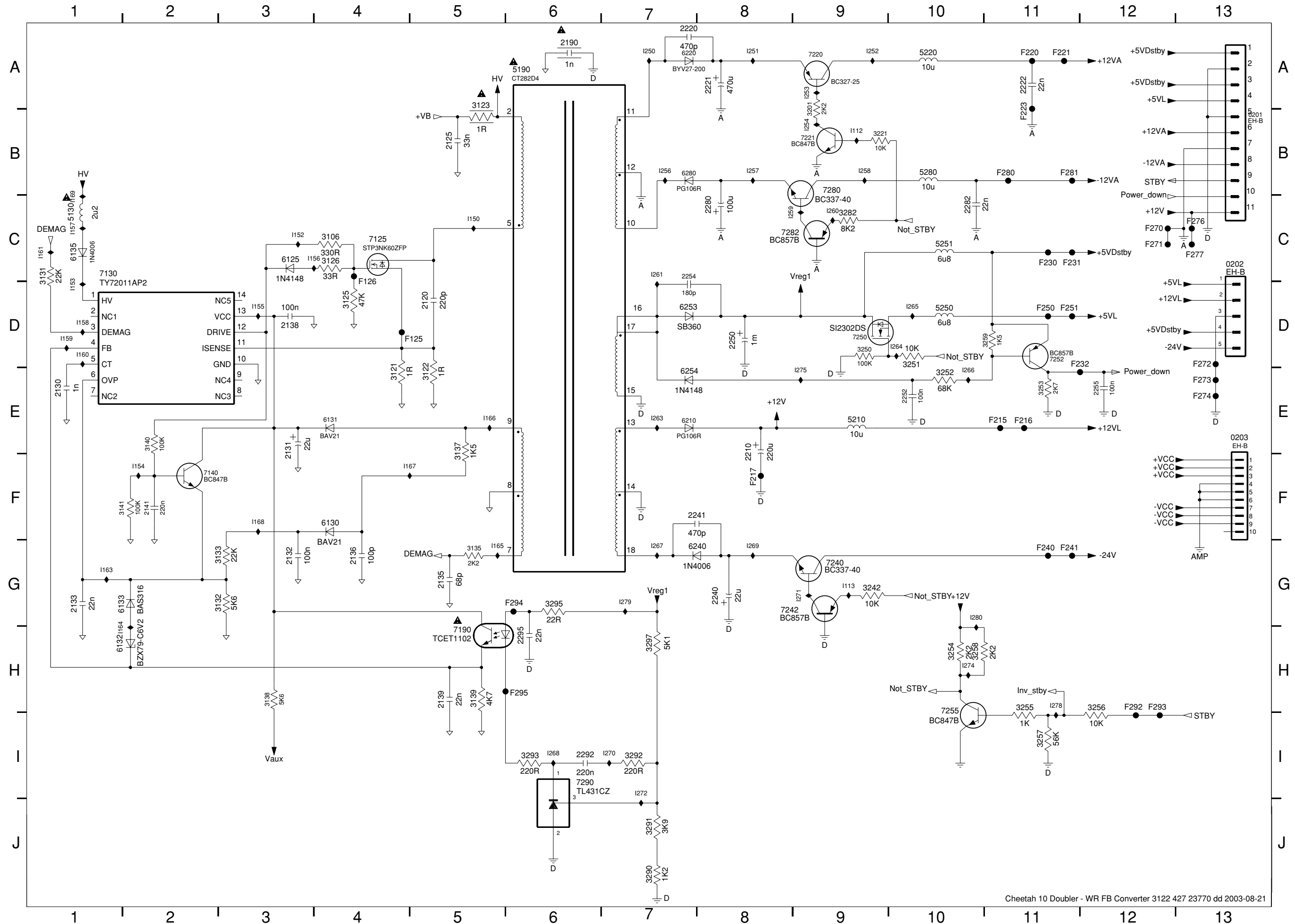
PSU CIRCUIT 2 - 220-240V version (FOR INFORMATION ONLY)



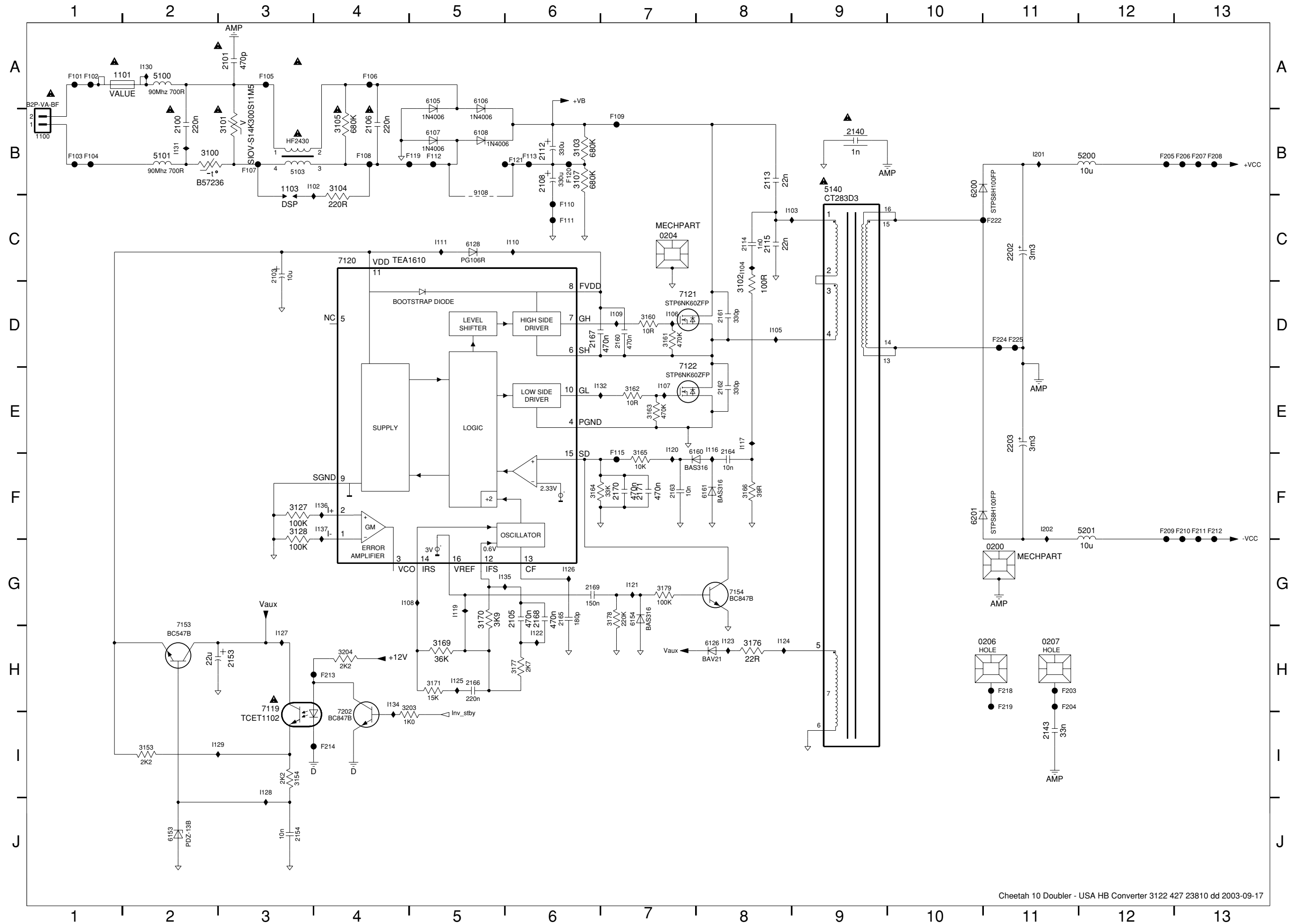
PSU CIRCUIT 1 - Voltage Selector version (FOR INFORMATION ONLY)



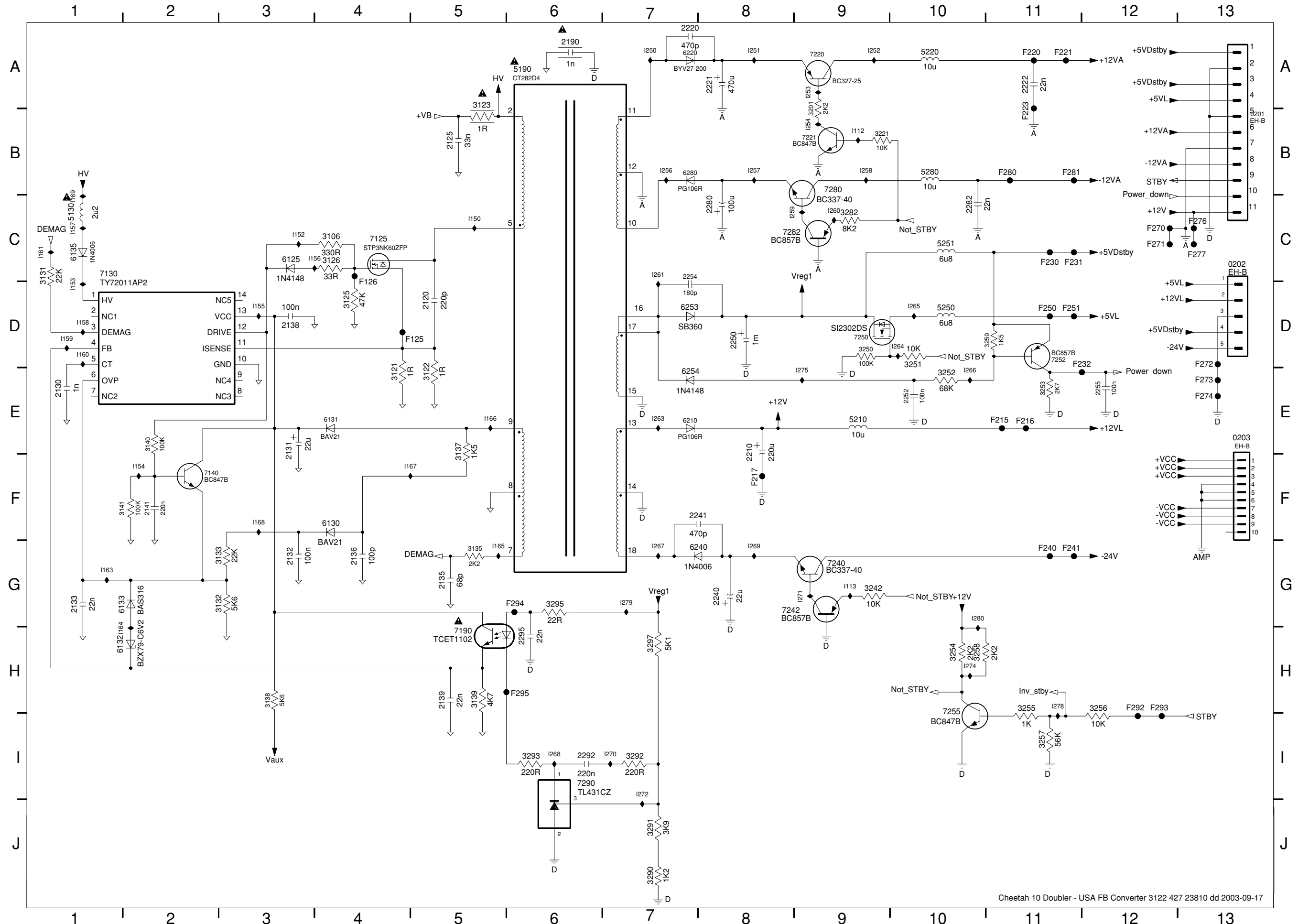
PSU CIRCUIT 2 - Voltage Selector version (FOR INFORMATION ONLY)



PSU CIRCUIT 1 - 120V version (FOR INFORMATION ONLY)



PSU CIRCUIT 2 - 120V version (FOR INFORMATION ONLY)

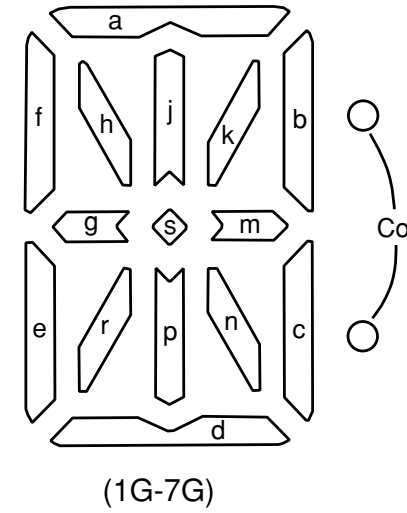
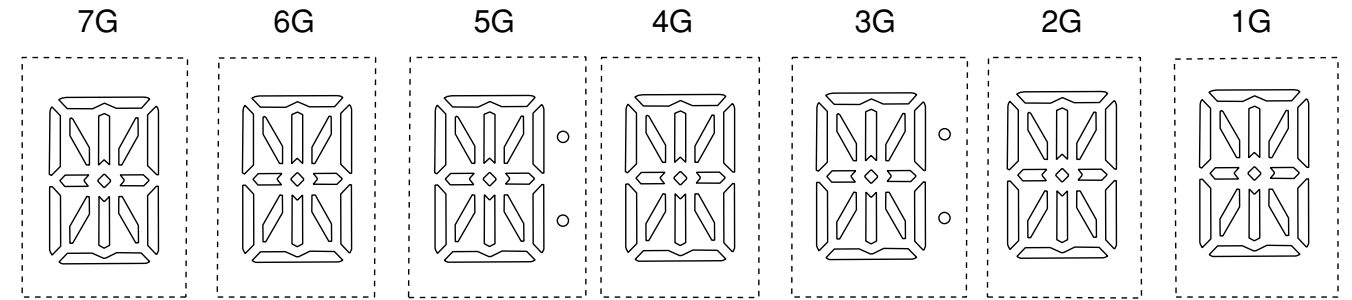


FRONT BOARDS

TABLE OF CONTENTS

FTD Display pin connection 6-1
 Front Standby part - circuit & layouts 6-2
 Front Display part - Circuit diagram 6-3
 Front Display part - Component & Chip layouts 6-4
 Front Display part - Chip layout Part A 6-5
 Front Display part - Chip layout Part B 6-6
 Electrical parts list 6-7

FTD DISPLAY PIN CONNECTIONS



	7G	6G	5G	4G	3G	2G	1G
P1	a	a	a	a	a	a	a
P2	j, p	j, p	j, p	j, p	j, p	j, p	j, p
P3	h	h	h	h	h	h	h
P4	k	k	k	k	k	k	k
P5	b	b	b	b	b	b	b
P6	f	f	f	f	f	f	f
P7	m	m	m	m	m	m	m
P8	g	g	g	g	g	g	g
P9	c	c	c	c	c	c	c
P10	e	e	e	e	e	e	e
P11	r	r	r	r	r	r	r
P12	n	n	n	n	n	n	n
P13	d	d	d	d	d	d	d
P14	-	-	col	-	col	-	-
P15	s	s	s	s	s	s	s

FTD DISPLAY PIN NO.	1	2	3	4	5	6	7	8	9	0	1	1	1	1	1	1	1	1	1	2	2	2	2	2	2	2	2	3	3	3	
FUNCTION	F	F	N	P	P	P	P	P	P	P	P	P	P	P	P	P	N	N	N	N	7	6	5	4	3	2	1	N	F	F	
	1	2	P	1	2	3	4	5	6	7	8	9	10	11	12	13	14	15	C	C	C	C	G	G	G	G	G	G	P	2	2

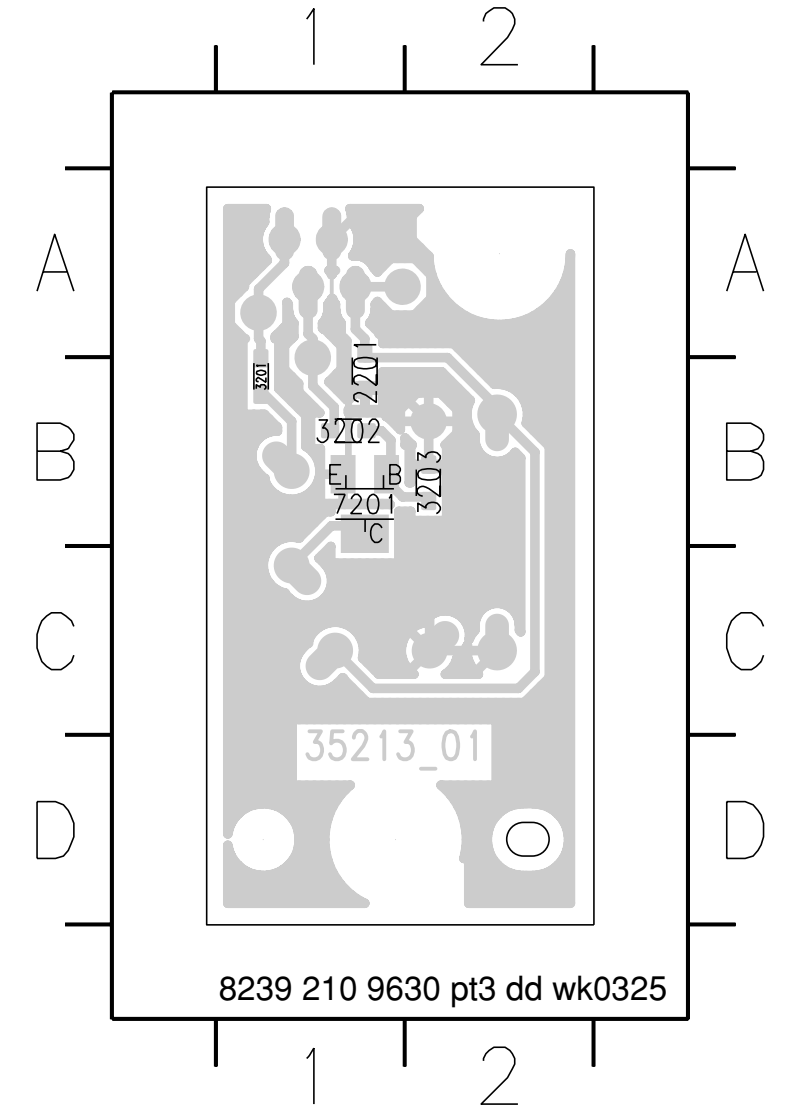
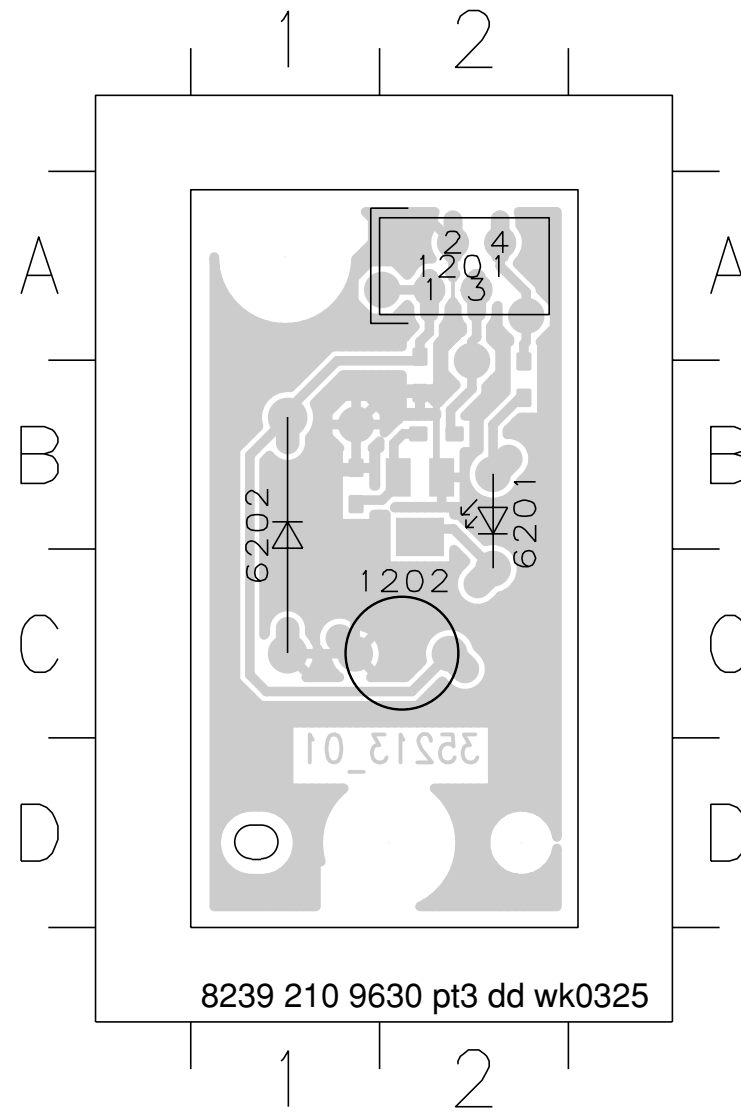
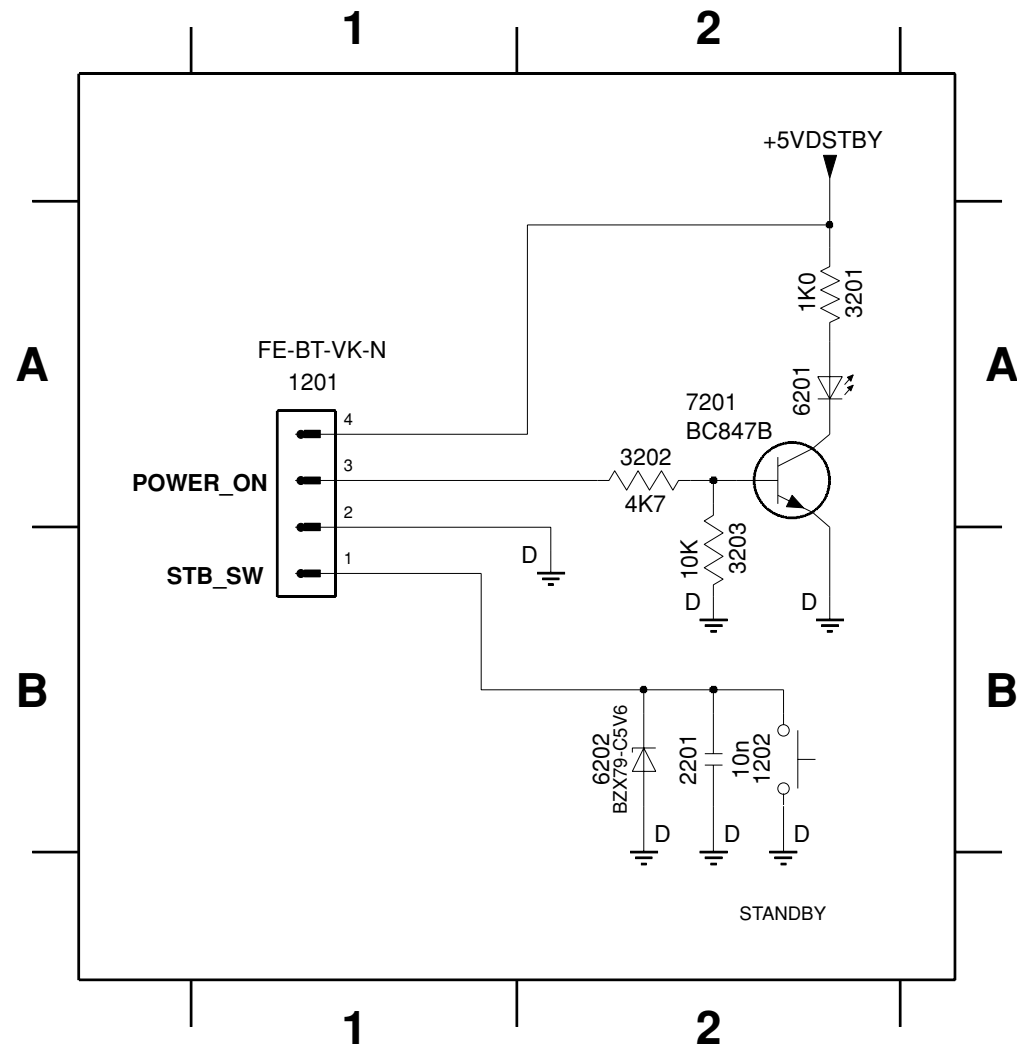
FRONT STANDBY PART - CIRCUIT DIAGRAM

FRONT STANDBY PART - COMPONENT & CHIP LAYOUT

1201 A1 2201 B2 3202 A2 6201 A2 7201 A2
 1202 B2 3201 A2 3203 B2 6202 B2

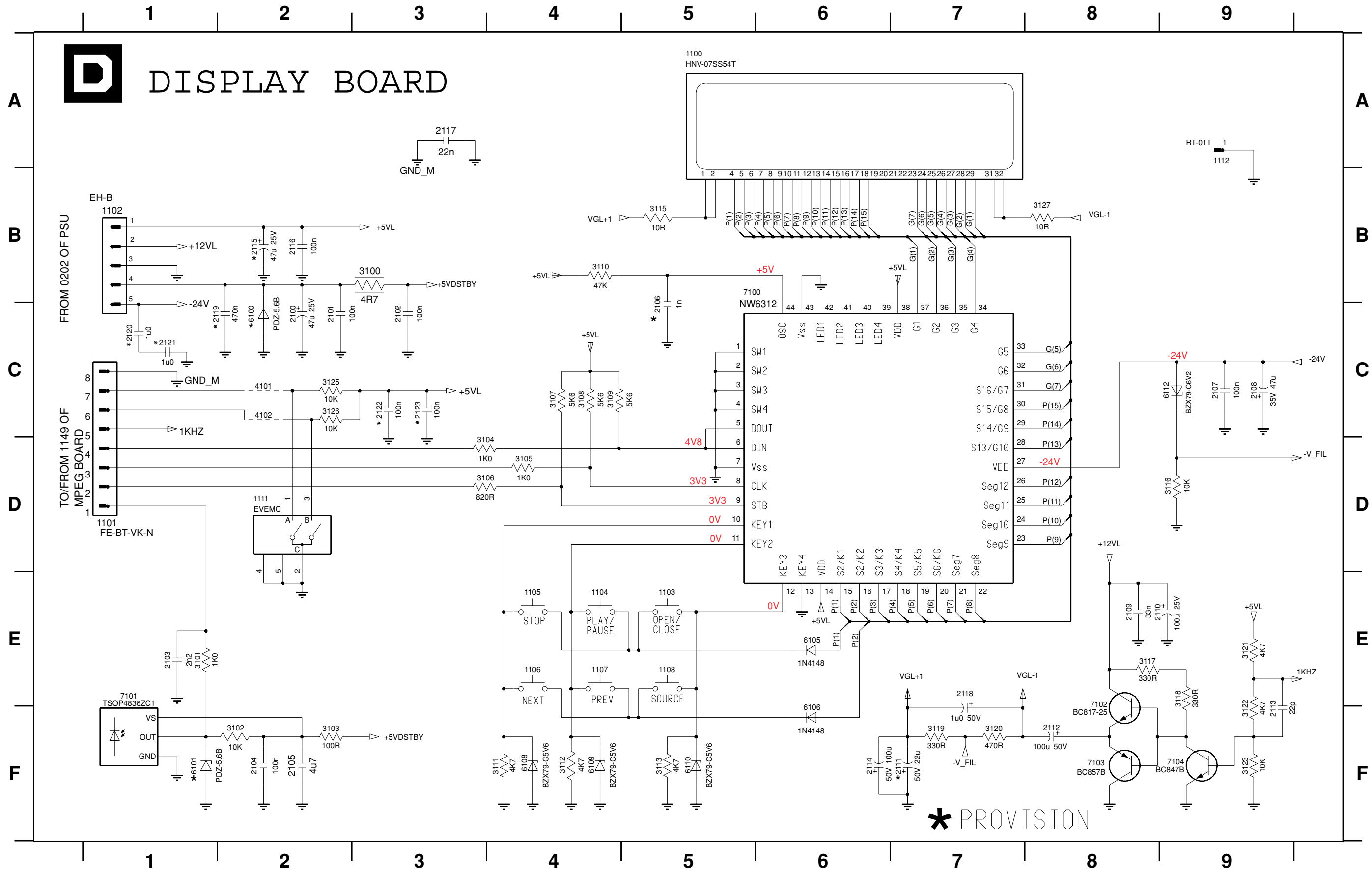
1201 A2 6201 B2
 1202 C2 6202 B1

2201 B1 3203 B2
 3201 B1 7201 B1
 3202 B1



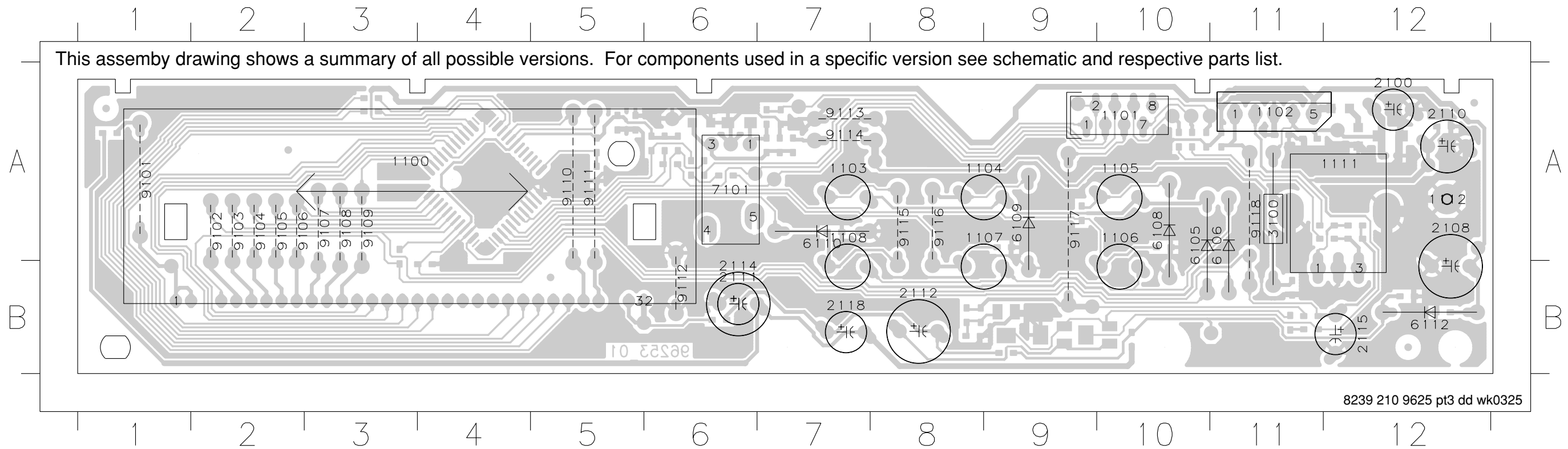
FRONT DISPLAY PART - CIRCUIT DIAGRAM

1100 A5	1103 E5	1106 E4	1111 D2	2101 C2	2104 F2	2107 C9	2110 E9	2113 F9	2116 B2	2119 C2	2122 C3	3101 E1	3104 D3	3107 C4	3110 B4	3113 F5	3117 E8	3120 F7	3123 F9	3127 B8	6100 C2	6106 F6	6110 F5	7101 E1	7104 F9
1101 D1	1104 E4	1107 E4	1112 A9	2102 C3	2105 F2	2108 C9	2111 F7	2114 F6	2117 A3	2120 C1	2123 C3	3102 F2	3105 D4	3108 C4	3111 F4	3115 B5	3118 E9	3121 E9	3125 C2	4101 C2	6101 F1	6108 F4	6112 C9	7102 F8	
1102 B1	1105 E4	1108 E5	2100 C2	2103 E1	2106 C5	2109 E8	2112 F8	2115 B2	2118 E7	2121 C1	3100 B3	3103 F2	3106 D3	3109 C4	3112 F4	3116 D9	3119 F7	3122 F9	3126 C2	4102 C2	6105 E6	6109 F4	7100 B6	7103 F8	

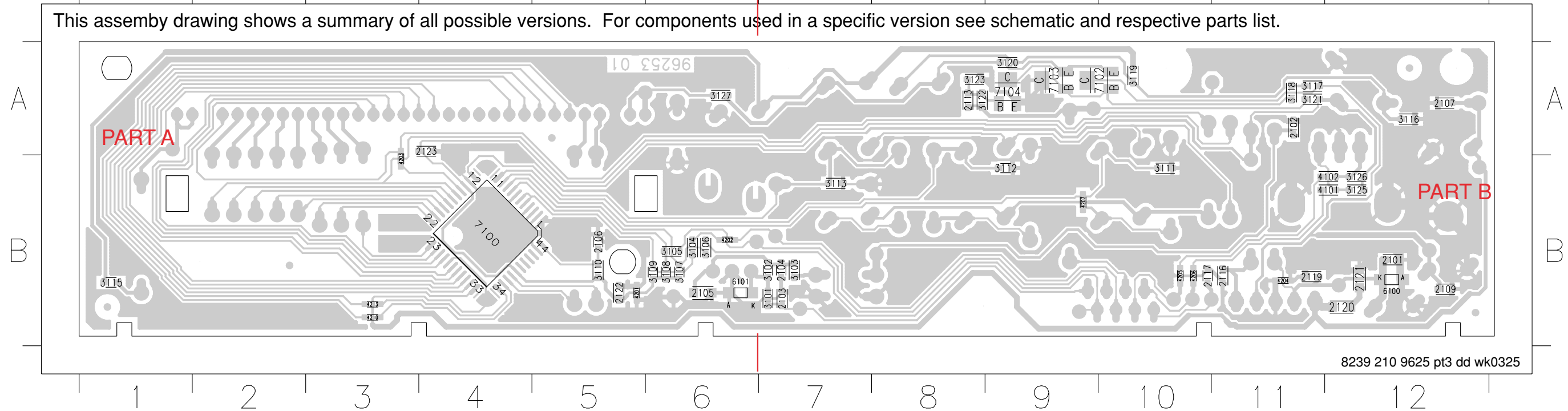


FRONT DISPLAY PART - COMPONENT & CHIP LAYOUT

1100	A3	1105	A10	1112	A12	2112	B8	6105	A10	6112	B12	9104	A2	9109	A3	9114	A7
1101	A10	1106	A10	2100	A12	2114	B6	6106	A11	7101	A6	9105	A2	9110	A5	9115	A8
1102	A11	1107	A8	2108	A12	2115	B12	6108	A10	9101	A1	9106	A2	9111	A5	9116	A8
1103	A7	1108	A7	2110	A12	2118	B7	6109	A9	9102	A2	9107	A3	9112	B6	9117	A9
1104	A8	1111	A12	2111	B6	3100	A11	6110	A7	9103	A2	9108	A3	9113	A7	9118	A11

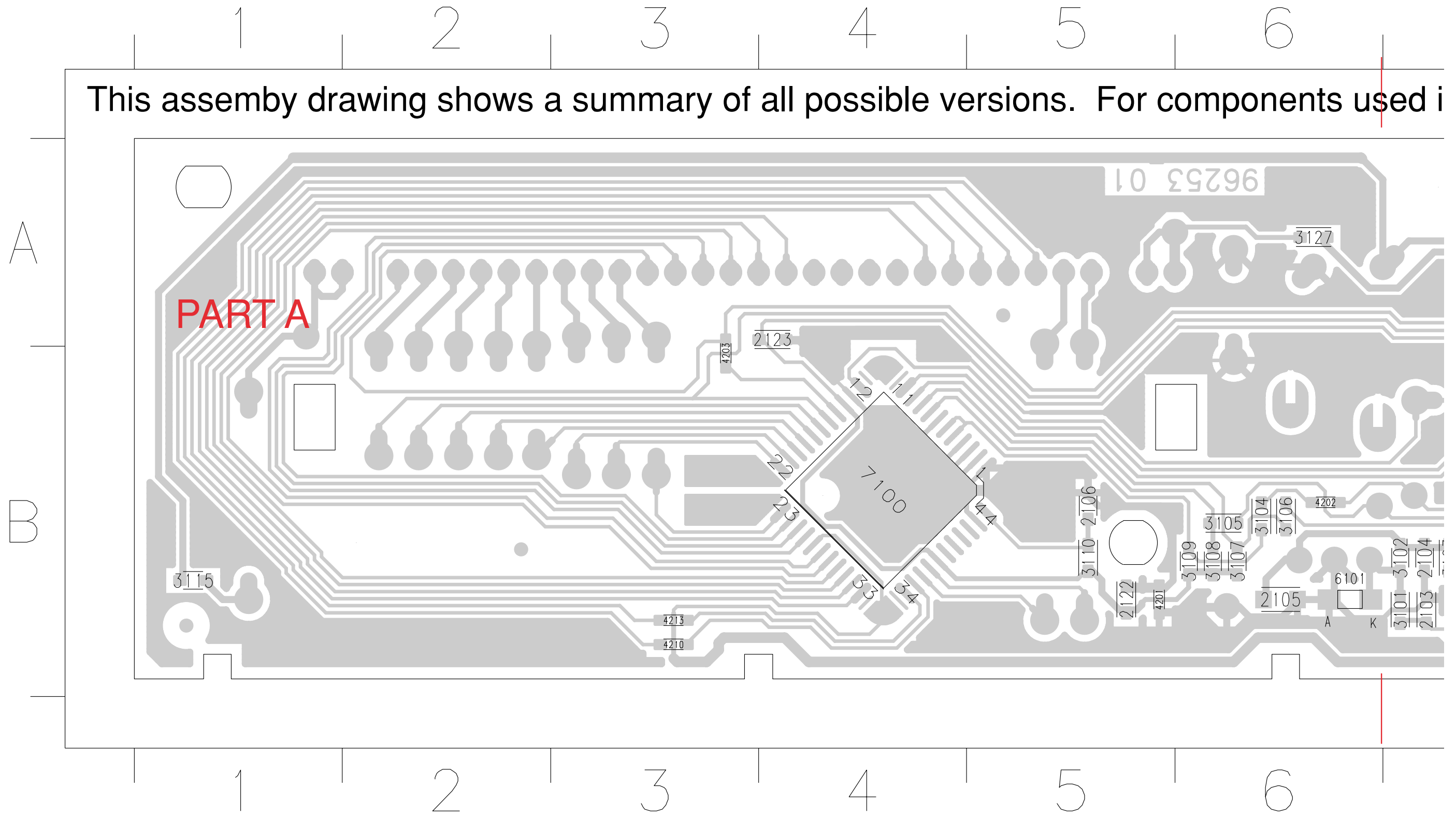


2101	B12	2106	B5	2117	B10	2123	A4	3105	B6	3110	B5	3116	A12	3121	A11	3127	A6	4203	B3	4210	B3	7102	A1C
2102	A11	2107	A12	2119	B11	3101	B7	3106	B6	3111	B10	3117	A11	3122	A8	4101	B12	4204	B11	4213	B3	7103	A9
2103	B7	2109	B12	2120	B12	3102	B7	3107	B6	3112	B9	3118	A11	3123	A8	4102	B12	4205	B1C	6100	B12	7104	A9
2104	B7	2113	A8	2121	B12	3103	B7	3108	B6	3113	B7	3119	A1C	3124	B12	4201	B5	4206	B1C	6101	B6		
2105	B6	2116	B11	2122	B5	3104	B6	3109	B6	3114	B1	3120	A9	3125	B12	4202	B6	4207	B9	7100	B4		



FRONT DISPLAY PART - CHIP LAYOUT PART A

This assembly drawing shows a summary of all possible versions. For components used i



FRONT DISPLAY PART - CHIP LAYOUT PART B

7

8

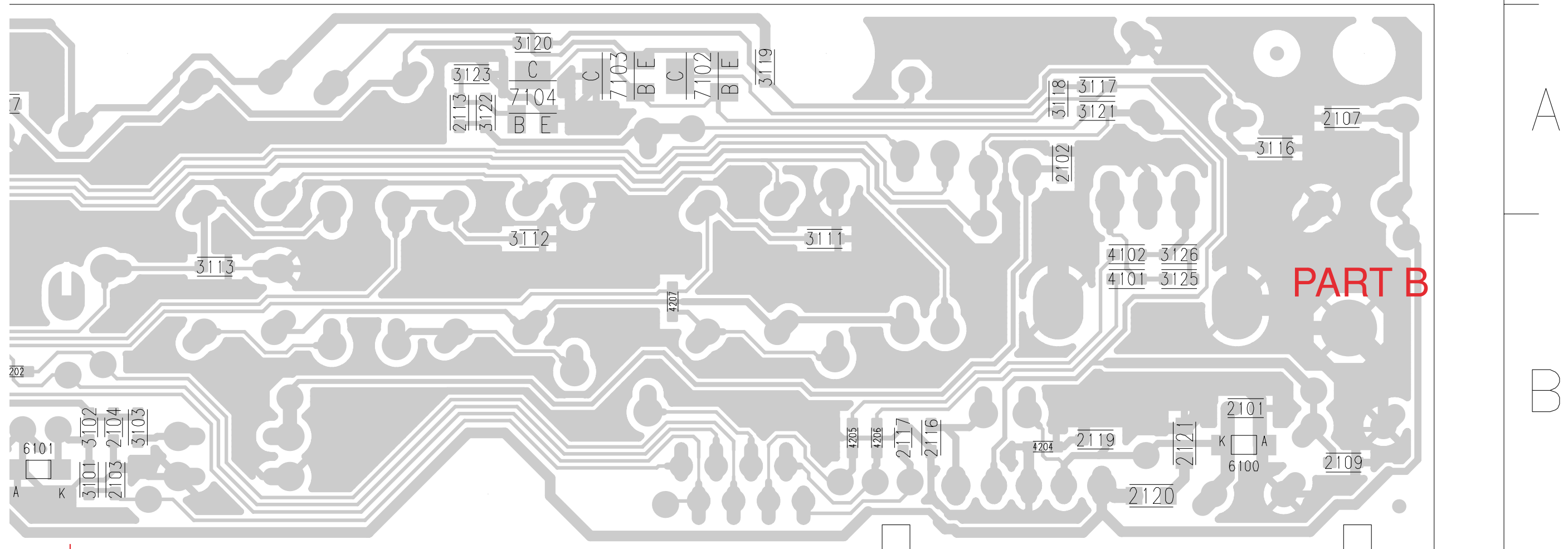
9

10

11

12

parts used in a specific version see schematic and respective parts list.



A

B

8239 210 9625 pt3 dd wk0325

7

8

9

10

11

12

ELECTRICAL PARTS LIST - FRONT BOARDS**MISCELLANEOUS**

1100	3141 010 50311	VFD Display HNV-07SS54T
1101	4822 265 11515	Flex Socket 8P Vert
1103	4822 276 13775	Tact Switch
1104	4822 276 13775	Tact Switch
1105	4822 276 13775	Tact Switch
1106	4822 276 13775	Tact Switch
1107	4822 276 13775	Tact Switch
1108	4822 276 13775	Tact Switch
1111	2422 129 16975	Rotary Encoder 12P
1201	4822 267 10733	Flex Socket 4P Vert
1202	4822 276 13775	Tact Switch

CAPACITORS

2100	4822 124 80483	47uF 20% 6,3V
2101	2238 586 59812	100nF +80/-20% 50V
2102	2238 586 59812	100nF +80/-20% 50V
2103	4822 126 14238	2,2nF 50V
2104	2238 586 59812	100nF +80/-20% 50V
2105	2020 552 96305	4,7uF +80/-20% 10V
2107	2238 586 59812	100nF +80/-20% 50V
2108	3198 028 44790	47uF 20% 35V
2109	4822 126 14549	33nF 16V
2110	4822 124 23052	100uF 20% 16V
2112	4822 124 40207	100uF 20% 25V
2113	4822 122 33761	22pF 5% 50V
2114	4822 124 40207	100uF 20% 25V
2116	2238 586 59812	100nF +80/-20% 50V
2117	2238 916 15641	22nF 10% 25V
2201	5322 126 11583	10nF 10% 50V

RESISTORS

3100	4822 052 10478	4R7 5% 0,33W
3101	4822 051 30102	1k 5% 0,062W
3102	4822 051 30103	10k 5% 0,062W
3103	4822 051 30101	100R 5% 0,062W
3104	4822 051 30101	100R 5% 0,062W
3105	4822 051 30101	100R 5% 0,062W
3106	4822 051 30101	100R 5% 0,062W
3107	4822 051 30103	10k 5% 0,062W
3108	4822 051 30103	10k 5% 0,062W
3109	4822 051 30103	10k 5% 0,062W
3110	4822 117 12925	47k 1% 0,063W
3111	4822 051 30472	4k7 5% 0,062W
3112	4822 051 30472	4k7 5% 0,062W
3113	4822 051 30472	4k7 5% 0,062W
3115	4822 051 30109	10R 5% 0,062W
3116	4822 051 30103	10k 5% 0,062W
3117	4822 051 30331	330R 5% 0,062W
3118	4822 051 30331	330R 5% 0,062W
3119	4822 051 30331	330R 5% 0,062W
3120	4822 051 30471	470R 5% 0,062W
3121	4822 051 30472	4k7 5% 0,062W

3122	4822 051 30472	4k7 5% 0,062W
3123	4822 051 30103	10k 5% 0,062W
3125	4822 051 30103	10k 5% 0,062W
3126	4822 051 30103	10k 5% 0,062W
3127	4822 051 30109	10R 5% 0,062W
3201	4822 051 30102	1k 5% 0,062W
3202	4822 051 30472	4k7 5% 0,062W
3203	4822 051 30103	10k 5% 0,062W
4101	4822 051 30008	0R Jumper 0603
4102	4822 051 30008	0R Jumper 0603
4201	4822 051 30008	0R Jumper 0603
4202	4822 051 30008	0R Jumper 0603
4203	4822 051 30008	0R Jumper 0603
4204	4822 051 30008	0R Jumper 0603
4205	4822 051 30008	0R Jumper 0603
4206	4822 051 30008	0R Jumper 0603
4207	4822 051 30008	0R Jumper 0603
4210	4822 051 30008	0R Jumper 0603
4213	4822 051 30008	0R Jumper 0603

DIODES

6105	4822 130 30621	1N4148
6106	4822 130 30621	1N4148
6108	4822 130 34173	BZX79-C5V6
6109	4822 130 34173	BZX79-C5V6
6110	4822 130 34173	BZX79-C5V6
6112	4822 130 34167	BZX79-B6V2
6201	9322 179 76676	LTL-816EELC
6202	4822 130 34173	BZX79-C5V6

TRANSISTORS & INTEGRATED CIRCUITS

7100	9322 186 03671	UPD16312GB-3B4
7101	9322 185 95667	IR RECEIVER TSOP4836
7102	4822 130 42804	BC817-25
7103	4822 130 60373	BC857B
7104	5322 130 60159	BC847B
7201	5322 130 60159	BC847B

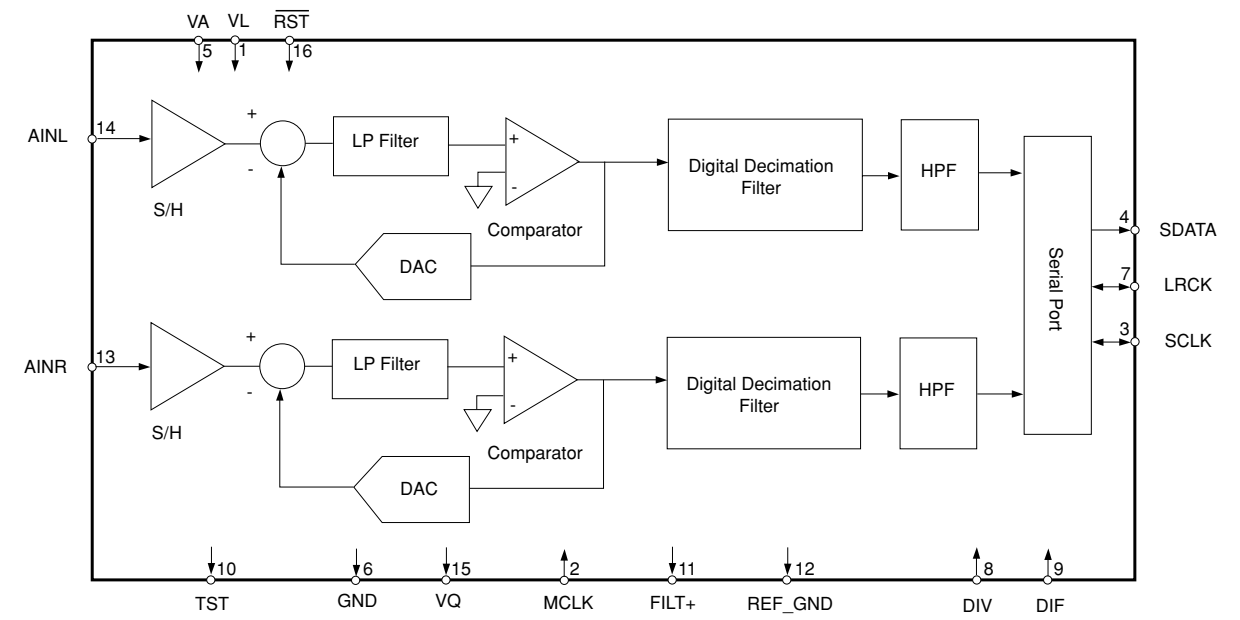
Note: Only the parts mentioned in this list are normal service spare parts.

AV BOARD

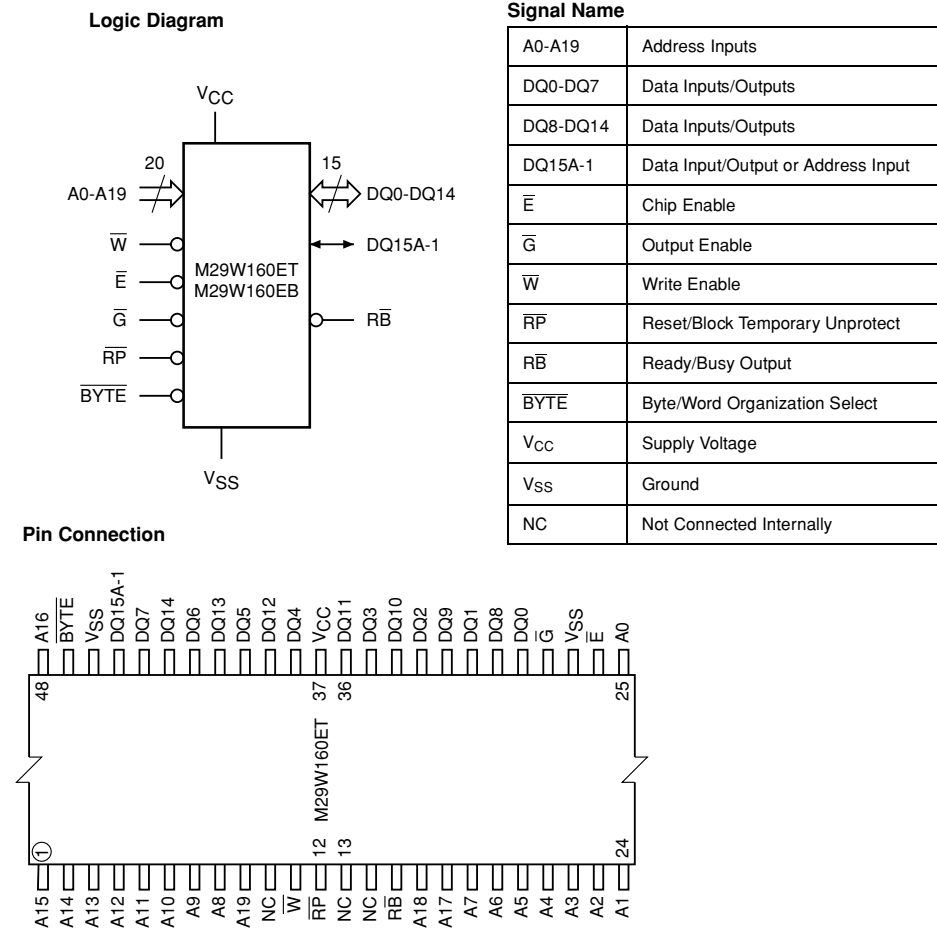
TABLE OF CONTENTS

CS5333 & M29W160ET Internal Block diagram 7-1
 Reset, Power Supply & Line-out Muting Circuit 7-2
 Servo and Front-end Circuit 7-3
 MPEG Decoder Circuit 7-4
 Flash, Dram & DAC + Pre-amplifier for Line-out Circuit 7-5
 Scart and Video out Circuit 7-6
 DAC and Pre-amplifier Circuit 7-7
 Input and Source Selection Circuit 7-8
 Muting (6-Channels) and S-Video out Circuit 7-9
 Component & Chip Layout - Top view (pcb3520pt3) 7-10
 Component & Chip Layout Mapping (pcb3520pt3) 7-11
 Chip Layout - Bottom view (pcb3520pt3) 7-12
 Chip Layout Mapping (pcb3520pt3) 7-13
 Component & Chip Layout - Top view (pcb3522pt1) 7-14
 Component & Chip Layout Mapping (pcb3522pt1) 7-15
 Chip Layout - Bottom view (pcb3522pt1) 7-16
 Chip Layout Mapping (pcb3522pt1) 7-17
 Electrical parts list 7-18

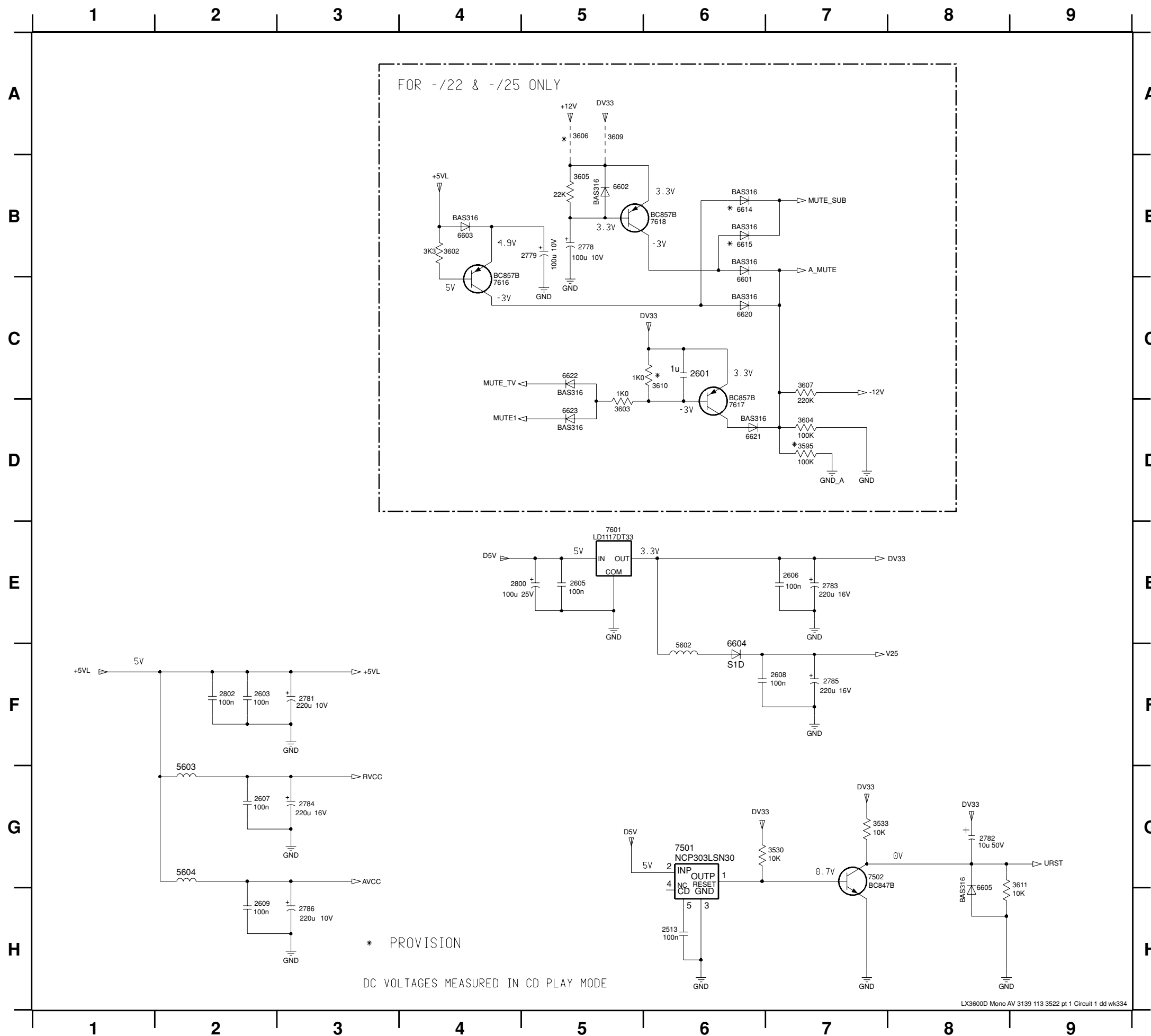
CS5333 Internal Block diagram



M29W160ET Internal Block diagram

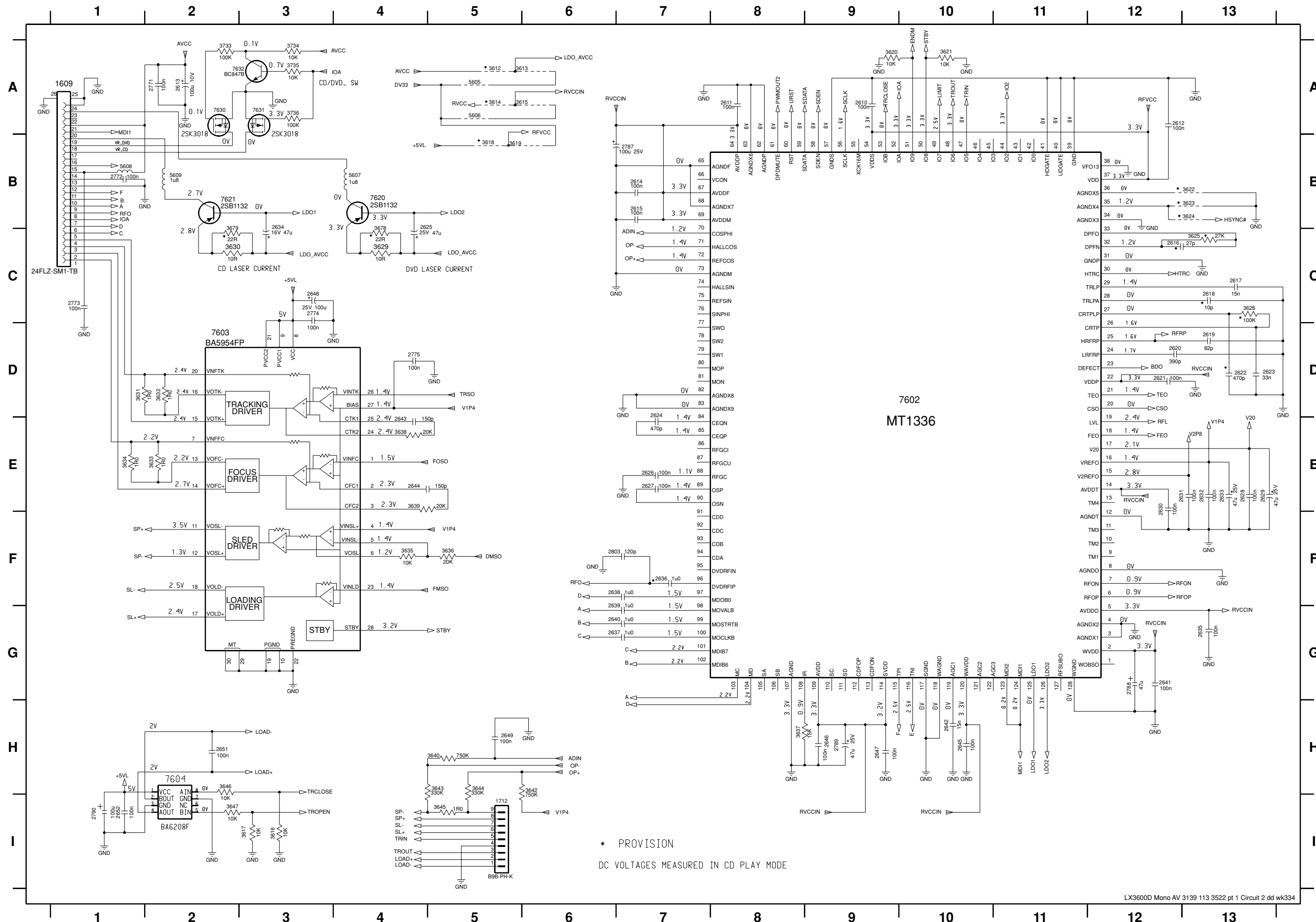


RESET, POWER SUPPLY & LINE-OUT MUTING CIRCUIT



- 2513 H6
- 2601 C6
- 2603 F2
- 2605 E5
- 2606 E7
- 2607 G2
- 2608 F7
- 2609 H2
- 2778 B5
- 2779 B5
- 2781 F3
- 2782 G8
- 2783 E7
- 2784 G3
- 2785 F7
- 2786 H3
- 2800 E4
- 2802 F2
- 3530 G7
- 3533 G7
- 3595 D7
- 3602 B4
- 3603 D5
- 3604 D7
- 3605 B5
- 3606 A5
- 3607 C7
- 3609 A5
- 3610 C6
- 3611 G9
- 5602 F6
- 5603 G2
- 5604 G2
- 6601 B6
- 6602 B5
- 6603 B4
- 6604 E6
- 6605 G8
- 6614 B6
- 6615 B6
- 6620 C6
- 6621 D6
- 6622 C5
- 6623 D5
- 7501 G6
- 7502 G7
- 7601 E5
- 7616 C4
- 7617 D6
- 7618 B6
- T401 G3
- T402 F3
- TP23 G3

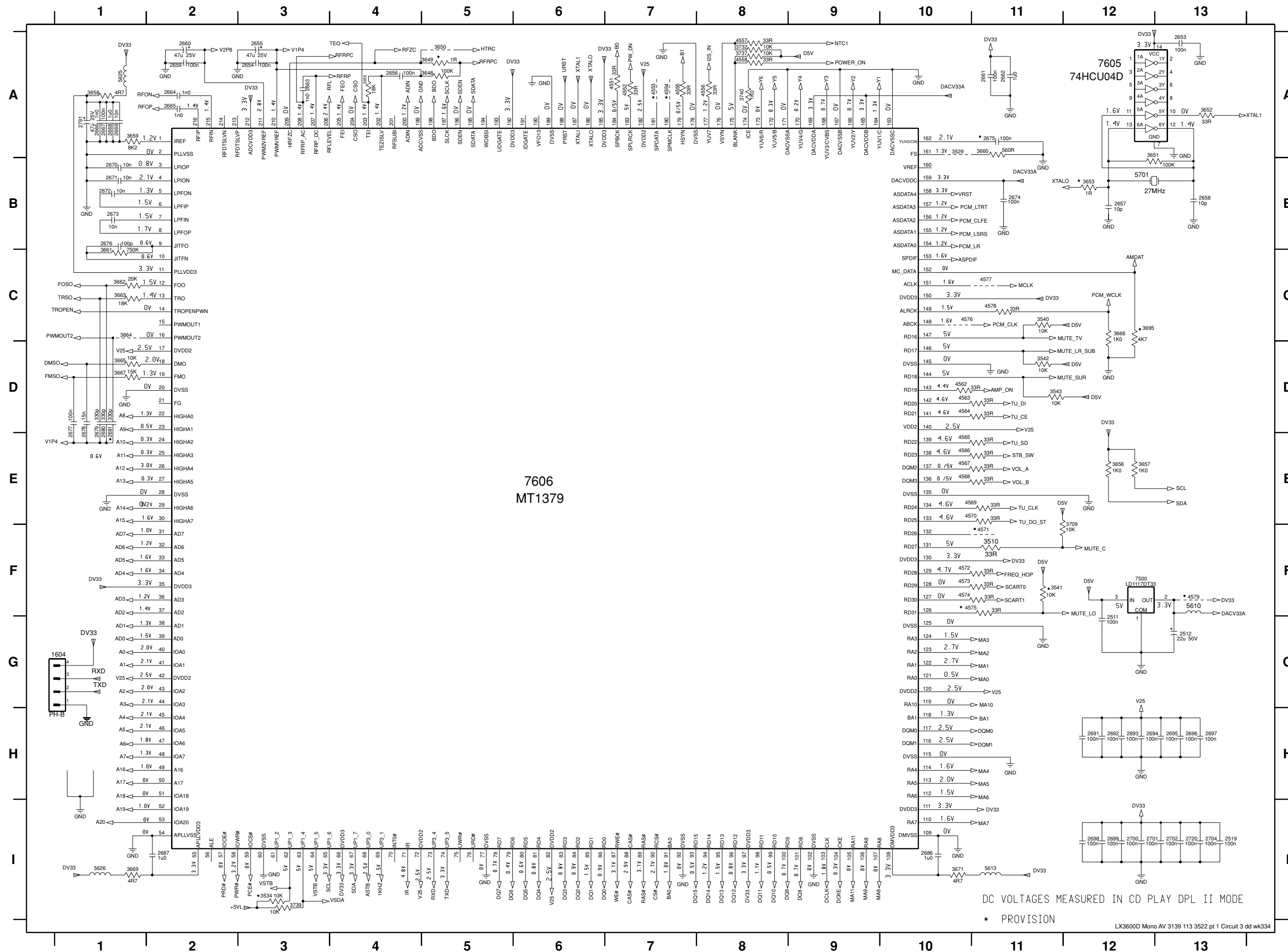
SERVO & FRONT-END CIRCUIT



- 1609 A1
- 1712 I5
- 2610 A9
- 2611 A8
- 2612 A12
- 2613 A2
- 2614 B7
- 2615 B7
- 2616 C12
- 2617 C13
- 2618 C13
- 2619 D13
- 2620 D12
- 2621 D12
- 2622 D13
- 2623 D13
- 2624 D7
- 2625 B4
- 2626 E7
- 2627 E7
- 2628 E13
- 2629 E13
- 2630 E12
- 2631 E12
- 2632 E13
- 2633 B3
- 2634 B3
- 2635 G13
- 2636 F7
- 2637 G6
- 2638 F6
- 2639 G6
- 2640 G6
- 2641 G12
- 2642 H10
- 2643 E4
- 2644 E4
- 2645 H10
- 2646 H9
- 2647 H9
- 2648 C3
- 2649 H5
- 2651 H2
- 2652 I1
- 2771 A2
- 2772 B1
- 2773 C1
- 2774 C3
- 2775 D4
- 2787 B7
- 2788 G12
- 2789 H9
- 2790 I1
- 2803 F6
- 3612 A5
- 3613 A5
- 3614 A5
- 3615 I3
- 3616 I3
- 3617 I3
- 3618 B5
- 3619 B5
- 3620 A9
- 3621 A10
- 3622 B13
- 3623 B13
- 3624 B13
- 3625 C13
- 3626 C13
- 3629 C4
- 3630 C2
- 3631 D1
- 3632 D2
- 3633 E2
- 3634 E1
- 3635 F4
- 3636 F5
- 3637 H8
- 3638 E4
- 3639 E4
- 3640 H5
- 3642 H6
- 3643 H5
- 3644 H5
- 3645 I5
- 3646 H2
- 3647 I2
- 3678 C4
- 3679 C2
- 3733 A2
- 3734 A3
- 3735 A3
- 3736 A3
- 5605 A5
- 5606 A5
- 5607 B4
- 5609 B2
- 7602 D2
- 7620 B4
- 7621 B2
- 7630 A2
- 7631 A3
- 7632 A3
- 7604 I2

* PROVISION
DC VOLTAGES MEASURED IN CD PLAY MODE

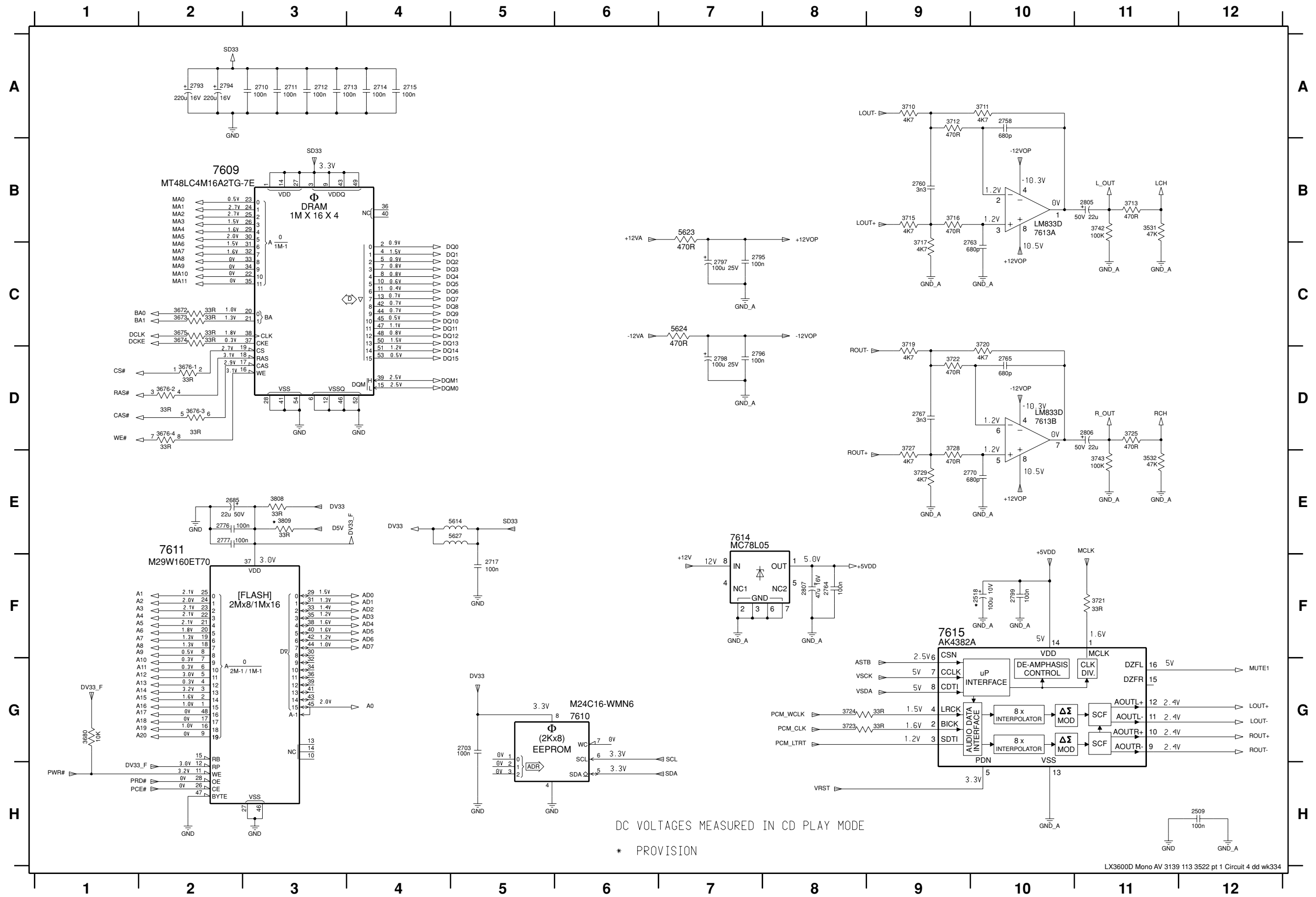
MPEG DECODER CIRCUIT



- 1604 G1
- 2511 F12
- 2512 G13
- 2519 I13
- 2653 A13
- 2654 A3
- 2655 A3
- 2656 A4
- 2657 B12
- 2658 B13
- 2659 A2
- 2660 A2
- 2661 A11
- 2662 A11
- 2663 A3
- 2664 A2
- 2665 A2
- 2666 A1
- 2667 A1
- 2668 A1
- 2669 A1
- 2670 B1
- 2671 B1
- 2672 B1
- 2673 B1
- 2674 B11
- 2675 A11
- 2676 B1
- 2677 D1
- 2678 D1
- 2679 D1
- 2680 D1
- 2681 D1
- 2686 I10
- 2687 I2
- 2691 H12
- 2692 H12
- 2693 H12
- 2694 H12
- 2695 H13
- 2696 H13
- 2697 H13
- 2698 I12
- 2699 I12
- 2700 I12
- 2701 I12
- 2702 I13
- 2704 I13
- 2720 I13
- 2791 A1
- 3510 F11
- 3529 A10
- 3534 I3
- 3540 C11
- 3541 F11
- 3542 D11
- 3543 D11
- 3648 A5
- 3648 A5
- 3650 A5
- 3651 A12
- 3652 A13
- 3653 B12
- 3655 A4
- 3656 E12
- 3657 E12
- 3658 A1
- 3659 A1
- 3660 A11
- 3661 C1
- 3662 C1
- 3663 C1
- 3664 C1
- 3665 D1
- 3666 C12
- 3667 D1
- 3669 I11
- 3671 H10
- 3695 C12
- 3709 E12
- 3732 A8
- 3737 A8
- 3739 I3
- 3740 A8
- 4551 A7
- 4552 A7
- 4553 A7
- 4554 A7
- 4555 A7
- 4556 A8
- 4557 A8
- 4558 A8
- 4562 D10
- 4563 D10
- 4564 D10
- 4565 E10
- 4566 E10
- 4567 E10
- 4568 E10
- 4569 E10
- 4570 E10
- 4571 F11
- 4572 F10
- 4573 F10
- 4574 F10
- 4575 F10
- 4576 C11
- 4578 C11
- 4579 F13
- 5610 F13
- 5613 H11
- 5625 A1
- 5626 I1
- 5701 B12
- 7500 F12
- 7605 A12
- 7606 E6

DC VOLTAGES MEASURED IN CD PLAY DPL II MODE
 * PROVISION

FLASH, DRAM, LINE-OUT DAC & PRE-AMPLIFIER CIRCUIT

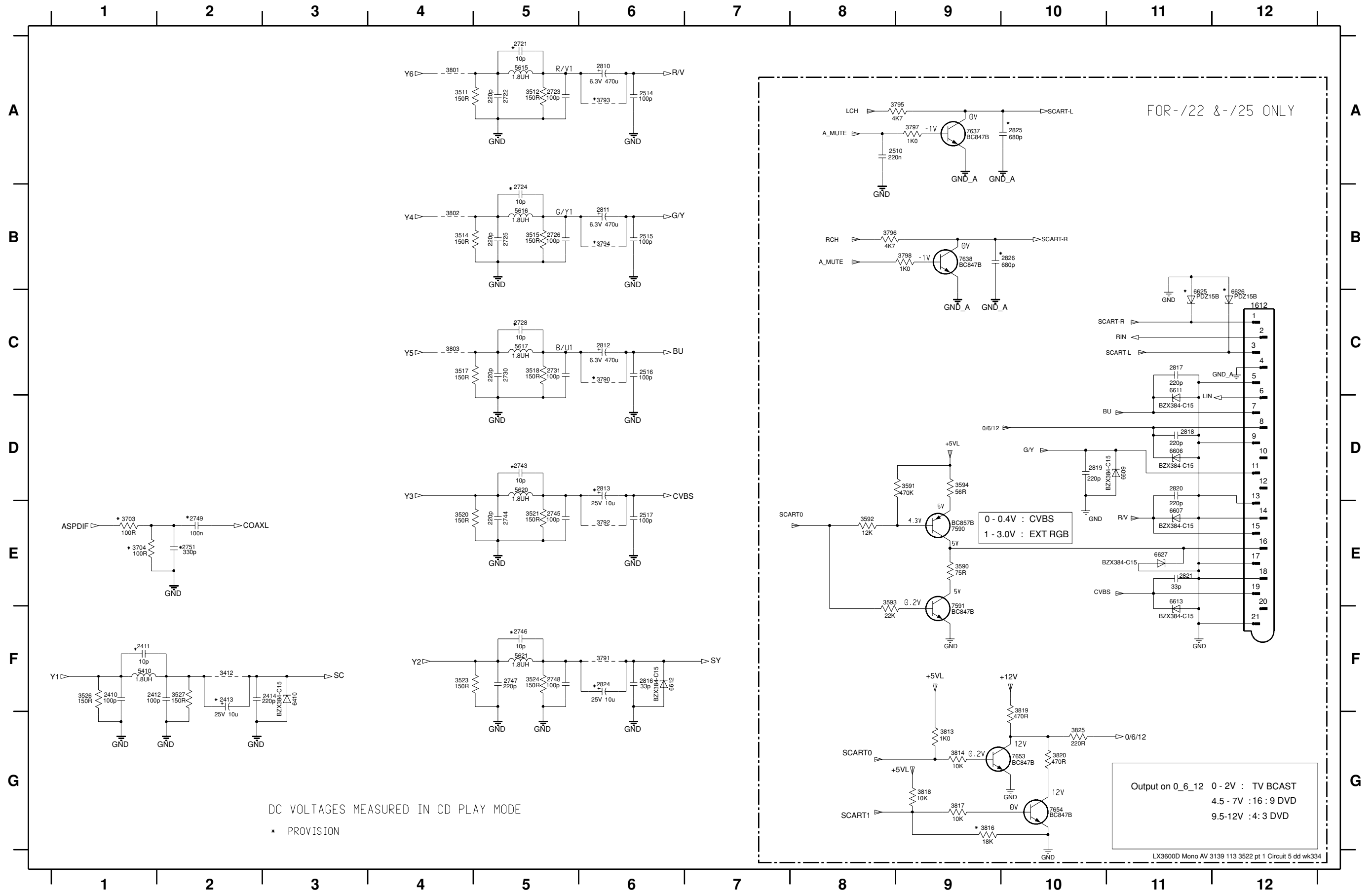


- 2509 H12
- 2518 F10
- 2685 E2
- 2703 G5
- 2710 A3
- 2711 A3
- 2712 A3
- 2713 A4
- 2714 A4
- 2715 A4
- 2717 F5
- 2758 A10
- 2760 B9
- 2763 B9
- 2764 F8
- 2765 D10
- 2767 D9
- 2770 E9
- 2776 E2
- 2777 E2
- 2794 A2
- 2795 C7
- 2796 D7
- 2797 C7
- 2798 D7
- 2799 F10
- 2805 B11
- 2806 D11
- 2807 F8
- 3531 B11
- 3672 C2
- 3673 C2
- 3674 C2
- 3675 C2
- 3676-1 D2
- 3676-2 D2
- 3676-3 D2
- 3676-4 D2
- 3680 G1
- 3710 A9
- 3711 A10
- 3712 A9
- 3713 B11
- 3715 B9
- 3716 B9
- 3717 B9
- 3719 D9
- 3720 D10
- 3721 F11
- 3722 D9
- 3723 G8
- 3724 G8
- 3725 D11
- 3727 E9
- 3728 E9
- 3729 E9
- 3742 B11
- 3743 E11
- 3808 E3
- 3809 E3
- 5614 E5
- 5623 B7
- 5624 C7
- 5627 E5
- 7609 B2
- 7610 G6
- 7611 E2
- 7613A B10
- 7613B D10
- 7614 E7
- 7615 F9

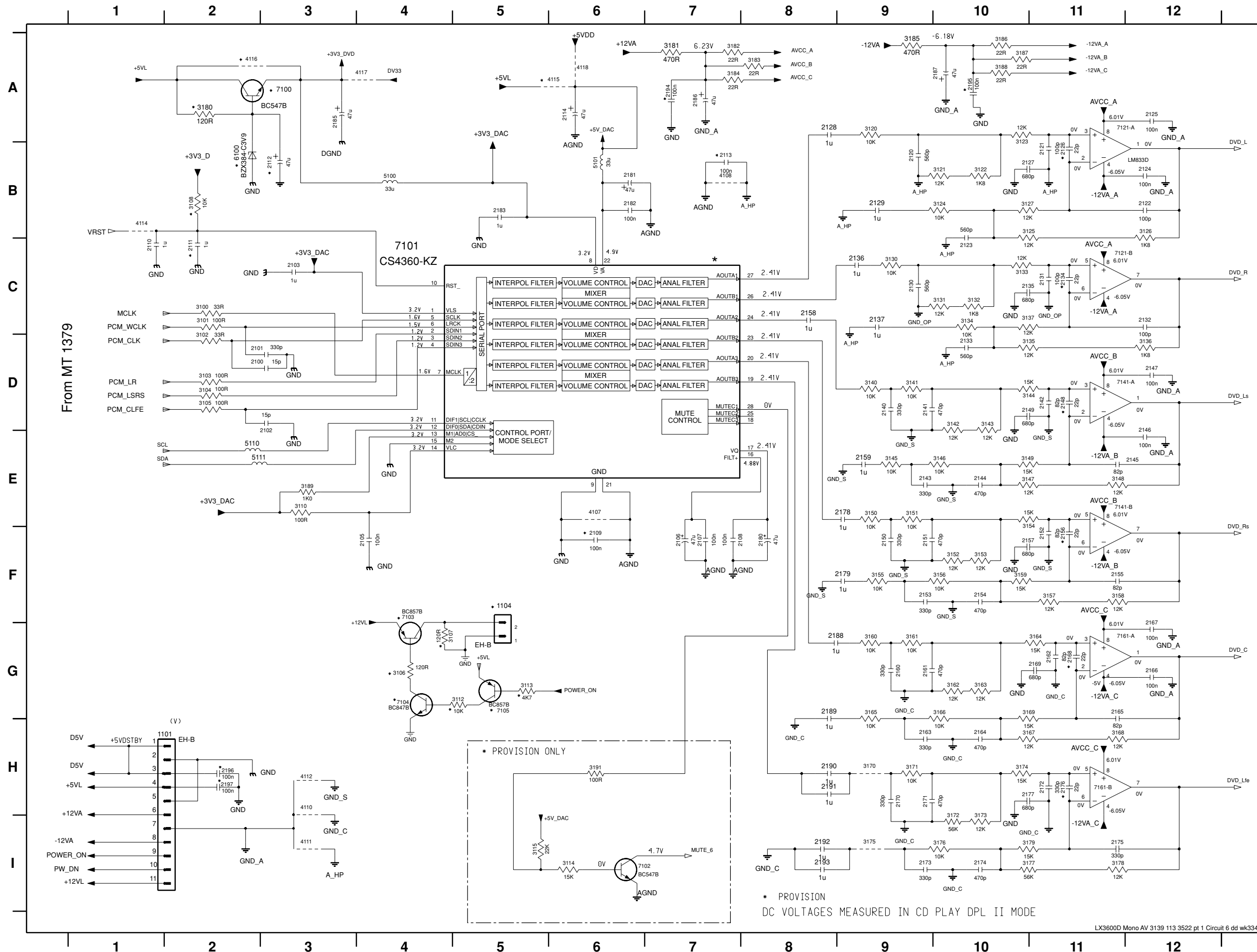
DC VOLTAGES MEASURED IN CD PLAY MODE
 * PROVISION

SCART & VIDEO OUT CIRCUIT

1612 C12	2413 F2	2515 B6	2722 A5	2726 B5	2743 D5	2747 F5	2810 A6	2816 F6	2820 D11	2826 B10	3514 B4	3520 E4	3526 F1	3592 E8	3704 E1	3793 A6	3797 A9	3803 C4	3817 G9	3825 G10	5617 C5	6606 D11	6612 F6	6627 E11	7638 B9	
2410 F1	2414 F3	2516 C6	2723 A5	2728 C5	2744 E5	2748 F5	2811 B6	2817 C11	2821 E11	3412 F2	3515 B5	3521 E5	3527 F2	3593 E8	3790 C6	3794 B6	3798 B9	3813 G9	3818 G9	3819 F10	5410 F1	5620 D5	6607 E11	6613 E11	7590 E9	7653 G10
2411 F1	2510 A9	2517 E6	2724 B5	2730 C5	2745 E5	2749 E2	2812 C6	2818 D11	2824 F6	3511 A4	3517 C4	3523 F4	3590 E9	3594 D9	3791 F6	3795 A9	3801 A4	3814 G9	3819 F10	5615 A5	5621 F5	6609 D11	6625 B11	7591 F9	7654 G10	
2412 F1	2514 A6	2721 A5	2725 B5	2731 C5	2746 F5	2751 E2	2813 D6	2819 D10	2825 A10	3512 A5	3518 C5	3524 F5	3591 D9	3703 E1	3792 E6	3796 B8	3802 B4	3816 G9	3820 G10	5616 B5	6410 F3	6611 C11	6626 B12	7637 A9		



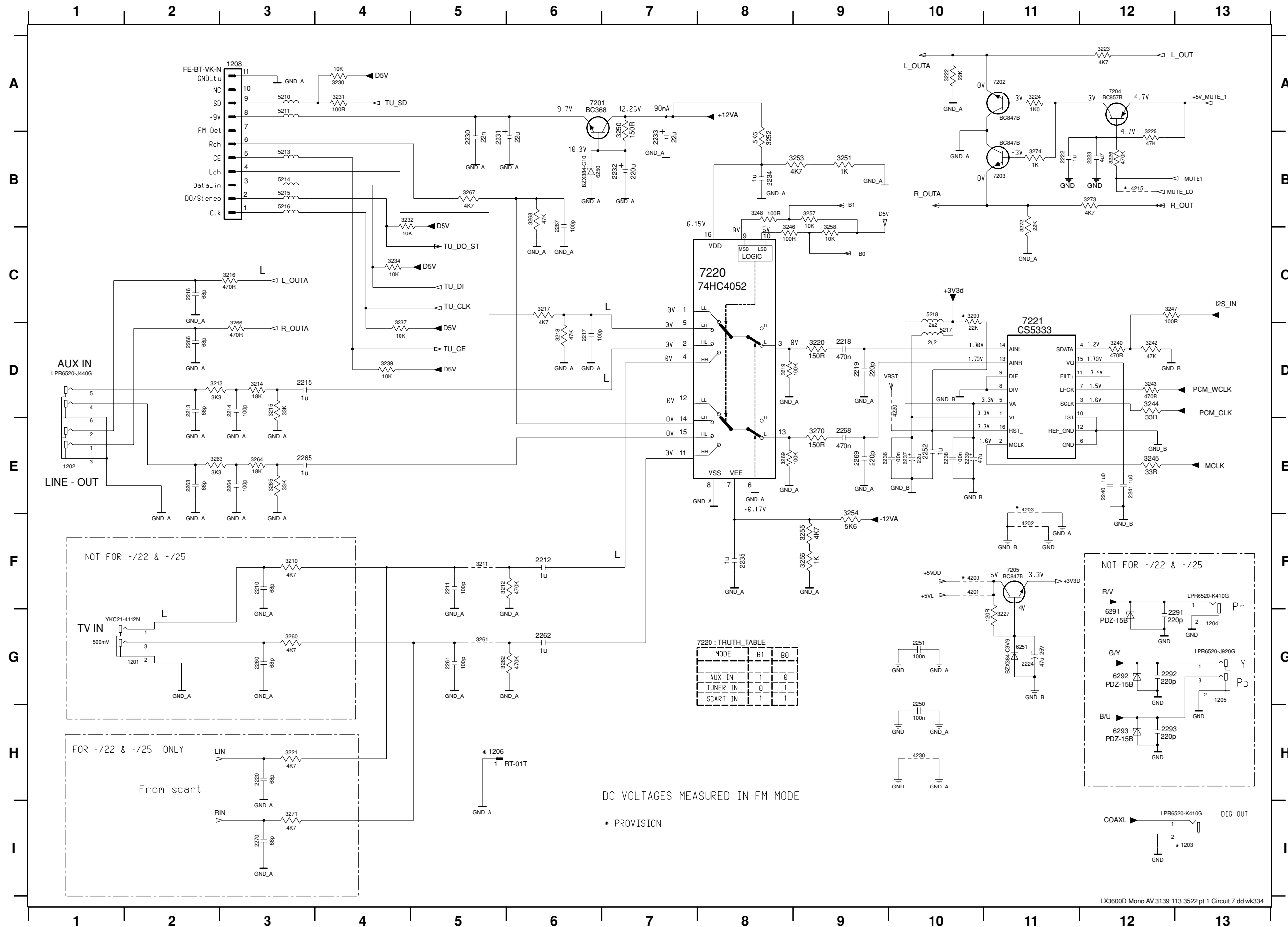
DAC & PRE-AMPLIFIER CIRCUIT



1101 H1	3127 B10
1104 F5	3130 C9
2100 D2	3131 C10
2101 D2	3132 C10
2102 D3	3133 C10
2103 C3	3134 C10
2105 F4	3135 D10
2106 F7	3136 D12
2107 F7	3137 C10
2108 F7	3140 D9
2109 F6	3141 D9
2110 C1	3142 D10
2111 C2	3143 D10
2112 B3	3144 D10
2113 B7	3145 E9
2114 A6	3146 E10
2120 B9	3147 E10
2121 B11	3148 E11
2122 B12	3149 E10
2123 C10	3150 E9
2124 B12	3151 E9
2125 A12	3152 F10
2126 B11	3153 F10
2127 B10	3154 E10
2128 A8	3155 F9
2129 B9	3156 F10
2130 C9	3157 F11
2131 C11	3158 F11
2132 C12	3159 F10
2133 D10	3160 G9
2134 C11	3161 G9
2135 C10	3162 G10
2136 C9	3163 G10
2137 C9	3164 G11
2140 D9	3165 G9
2141 D9	3166 G10
2142 D11	3167 H10
2143 E9	3168 H11
2144 E10	3169 G10
2145 E12	3170 H9
2146 E12	3171 H9
2147 D12	3172 I10
2148 D11	3173 I10
2149 D10	3174 H10
2150 F9	3175 I9
2151 F9	3176 I10
2152 F11	3177 I10
2153 F9	3178 I11
2154 F10	3179 I10
2155 F11	3180 A2
2156 F11	3181 A7
2157 F10	3182 A7
2158 C8	3183 A8
2159 E9	3184 A7
2160 G9	3185 A9
2161 G9	3186 A10
2162 G11	3187 A10
2163 H9	3188 A10
2164 H10	3189 E3
2165 G11	3191 H6
2166 G12	4107 E6
2167 G12	4108 B7
2168 G11	4110 H3
2169 G11	4111 I3
2170 H9	4112 H3
2171 H9	4114 B1
2172 H11	4115 A6
2173 I9	4116 A2
2174 I10	4117 A4
2175 I11	4118 A6
2176 H11	5100 B4
2177 H10	5101 B6
2178 E9	5110 E2
2179 F9	5111 E2
2180 F8	6100 B2
2181 B6	7100 A3
2182 B6	7102 I6
2183 B5	7103 F4
2185 A3	7104 G4
2186 A7	7105 G5
2188 A10	7121-A A11
2188 G8	7121-B C11
2189 G8	7141-A D11
2190 H8	7141-B E11
2191 H8	7161-A G11
2192 I8	7161-B H11
2193 I8	
2194 A7	
2195 A10	
2196 H2	
2197 H2	
3100 C2	
3101 C2	
3102 D2	
3103 D2	
3104 D2	
3105 D2	
3106 G4	
3107 G4	
3108 B2	
3110 E3	
3112 G5	
3113 G5	
3114 I6	
3115 I5	
3120 A9	
3121 B10	
3122 B10	
3123 A10	
3124 B10	
3125 B10	
3126 B12	

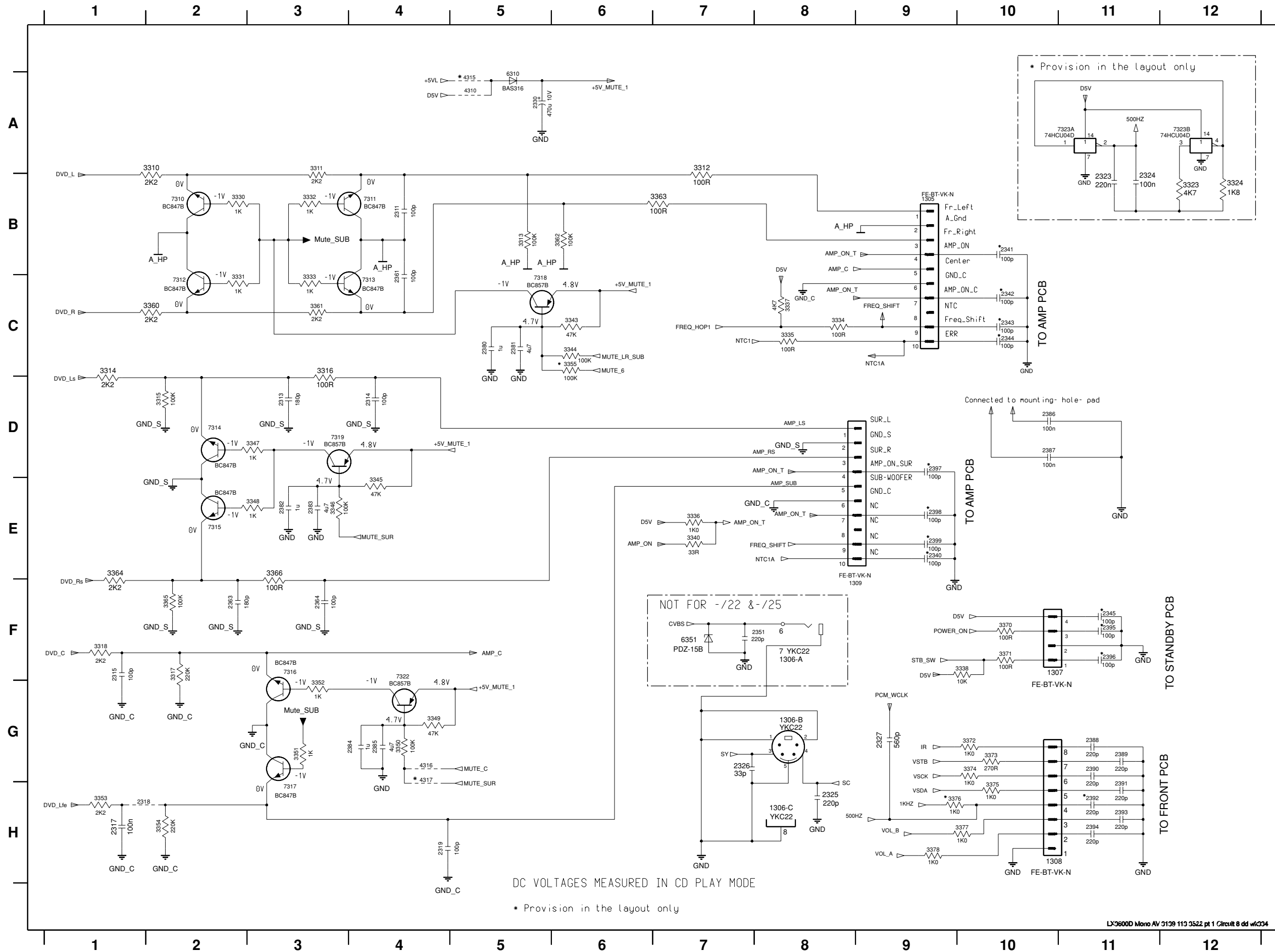
* PROVISION
DC VOLTAGES MEASURED IN CD PLAY DPL II MODE

INPUT & SOURCE SELECTION CIRCUIT



- 1201 G2
- 1202 E1
- 1203 I13
- 1204 G13
- 1205 G13
- 1206 H5
- 1208 A3
- 1210 F3
- 1211 F5
- 1212 F6
- 1213 D2
- 1214 D3
- 1215 D3
- 1216 C2
- 1217 D6
- 1218 D9
- 1219 D9
- 1220 H3
- 1222 B11
- 1223 B12
- 1224 G11
- 1230 B5
- 1231 B5
- 1232 B7
- 1233 B7
- 1234 B8
- 1235 F8
- 1236 E9
- 1237 E10
- 1238 E10
- 1239 E10
- 1240 E12
- 1241 E12
- 1250 H10
- 1251 G10
- 1252 E10
- 1260 G3
- 1261 G5
- 1262 G6
- 1263 E2
- 1264 E3
- 1265 E3
- 1266 D2
- 1267 B6
- 1268 E9
- 1269 E9
- 1270 I3
- 1291 G13
- 1292 G12
- 1293 H12
- 1294 H12
- 1295 H12
- 1296 H12
- 1297 H12
- 1298 H12
- 1299 H12
- 1300 H12
- 1301 F3
- 1311 F5
- 1312 F5
- 1313 D2
- 1314 D3
- 1315 D3
- 1316 C3
- 1317 C6
- 1318 D6
- 1319 D8
- 1320 D9
- 1321 H3
- 1322 A10
- 1323 A12
- 1324 A11
- 1325 B12
- 1326 B12
- 1327 G11
- 1330 A4
- 1331 A4
- 1332 B4
- 1333 C4
- 1334 C4
- 1335 D4
- 1336 D4
- 1337 D4
- 1338 D4
- 1339 D12
- 1340 D12
- 1341 D12
- 1342 D12
- 1343 D12
- 1344 D12
- 1345 E12
- 1346 C8
- 1347 C12
- 1348 B8
- 1349 A7
- 1350 A7
- 1351 B9
- 1352 B8
- 1353 B9
- 1354 F9
- 1355 F9
- 1356 F9
- 1357 B9
- 1358 C9
- 1359 C9
- 1360 G3
- 1361 G5
- 1362 G5
- 1363 E2
- 1364 E3
- 1365 E3
- 1366 D3
- 1367 B5
- 1368 B6
- 1369 E8
- 1370 E9
- 1371 I3
- 1372 B11
- 1373 B12
- 1374 B11
- 1375 C10
- 1376 F10
- 1377 F10
- 1378 F11
- 1379 F11
- 1380 F11
- 1381 F11
- 1382 F11
- 1383 F11
- 1384 F11
- 1385 F11
- 1386 F11
- 1387 F11
- 1388 F11
- 1389 F11
- 1390 F11
- 1391 F11
- 1392 F11
- 1393 F11
- 1394 F11
- 1395 F11
- 1396 F11
- 1397 F11
- 1398 F11
- 1399 F11
- 1400 F11
- 1401 F10
- 1402 F11

MUTING (6-CHANNEL) & S-VIDEO OUT CIRCUIT

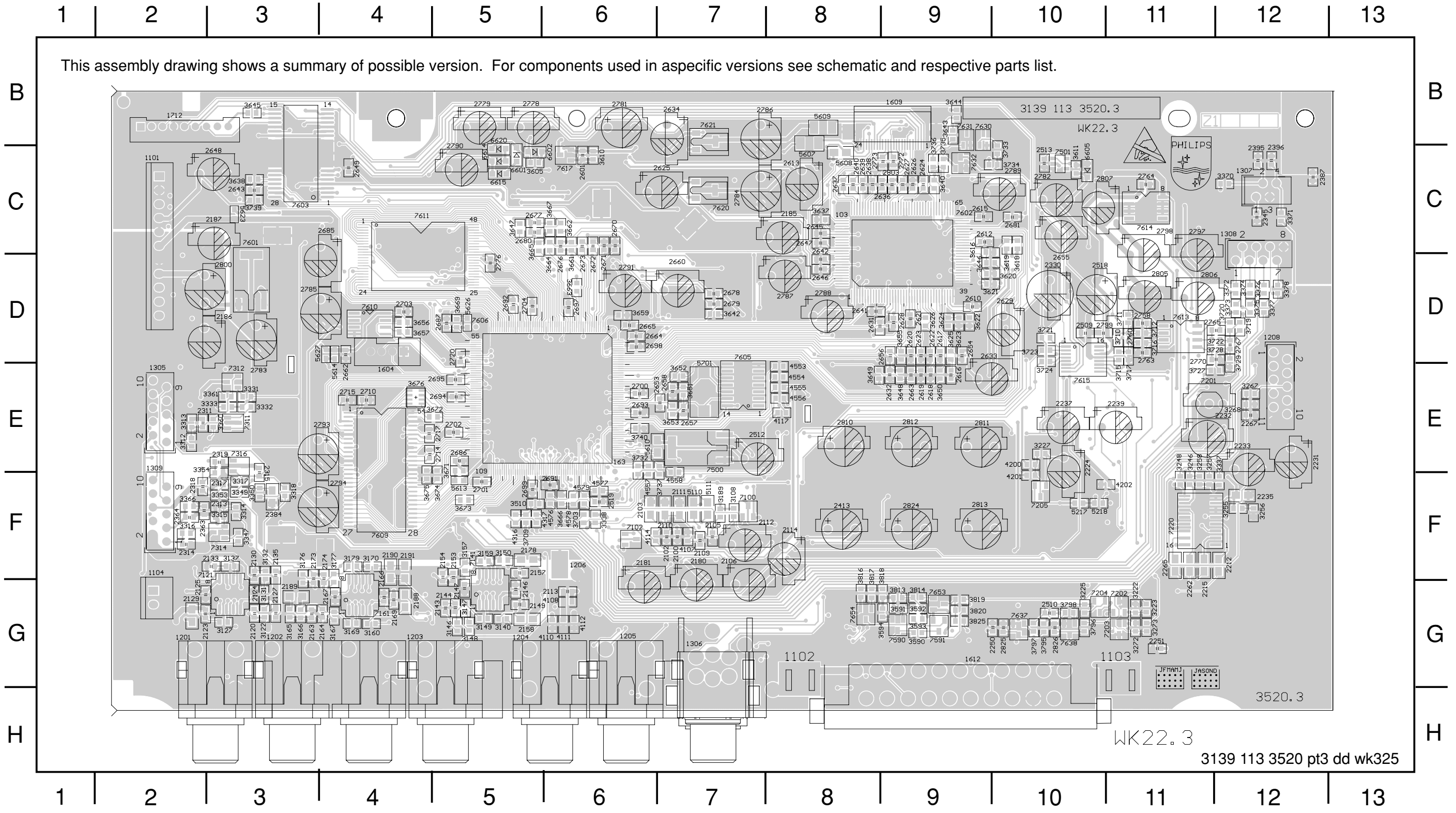


DC VOLTAGES MEASURED IN CD PLAY MODE

* Provision in the layout only

- 1305 B9
- 1306-A F8
- 1306-B G8
- 1306-C H8
- 1307 F11
- 1308 H11
- 1309 F8
- 2311 B4
- 2313 D3
- 2314 D4
- 2315 F1
- 2317 H1
- 2318 H1
- 2319 H4
- 2323 A11
- 2324 A11
- 2325 H8
- 2326 G7
- 2327 G9
- 2330 A5
- 2340 E9
- 2341 B10
- 2342 C10
- 2343 C10
- 2344 C10
- 2345 F11
- 2351 F8
- 2361 C4
- 2363 F2
- 2364 F3
- 2380 C5
- 2381 C5
- 2382 E3
- 2383 E3
- 2384 G4
- 2385 G4
- 2386 D10
- 2387 D10
- 2388 G11
- 2389 G11
- 2390 G11
- 2391 H11
- 2392 H11
- 2393 H11
- 2394 H11
- 2395 F11
- 2396 F11
- 2397 D9
- 2398 E9
- 2399 E9
- 3310 A2
- 3311 A3
- 3312 A7
- 3313 B5
- 3314 C1
- 3315 D2
- 3316 C3
- 3317 F2
- 3318 F1
- 3323 B12
- 3324 B12
- 3330 B2
- 3331 C2
- 3332 B3
- 3333 C3
- 3334 C8
- 3335 C8
- 3336 E7
- 3337 C8
- 3338 F10
- 3340 E7
- 3343 C6
- 3344 C6
- 3345 E4
- 3346 E3
- 3347 D3
- 3348 E3
- 3349 G4
- 3350 G4
- 3351 G3
- 3352 G3
- 3353 H1
- 3354 H2
- 3355 C6
- 3360 C2
- 3361 C3
- 3362 B6
- 3363 B7
- 3364 E1
- 3365 F2
- 3366 E3
- 3370 F10
- 3371 F10
- 3372 G10
- 3373 G10
- 3374 G10
- 3375 H10
- 3376 H9
- 3377 H10
- 3378 H9
- 4310 A5
- 4315 A5
- 4316 G4
- 4317 G4
- 6310 A5
- 6351 F7
- 7310 B2
- 7311 B4
- 7312 C2
- 7313 C4
- 7314 D2
- 7315 E2
- 7316 F3
- 7317 H3
- 7318 C5
- 7319 D3
- 7322 F4
- 7323A A11
- 7323B A12

PCB 3139 113 3520 pt3 TOP VIEW - Use by LX3600D/22 & /25 only
(during production start-up)



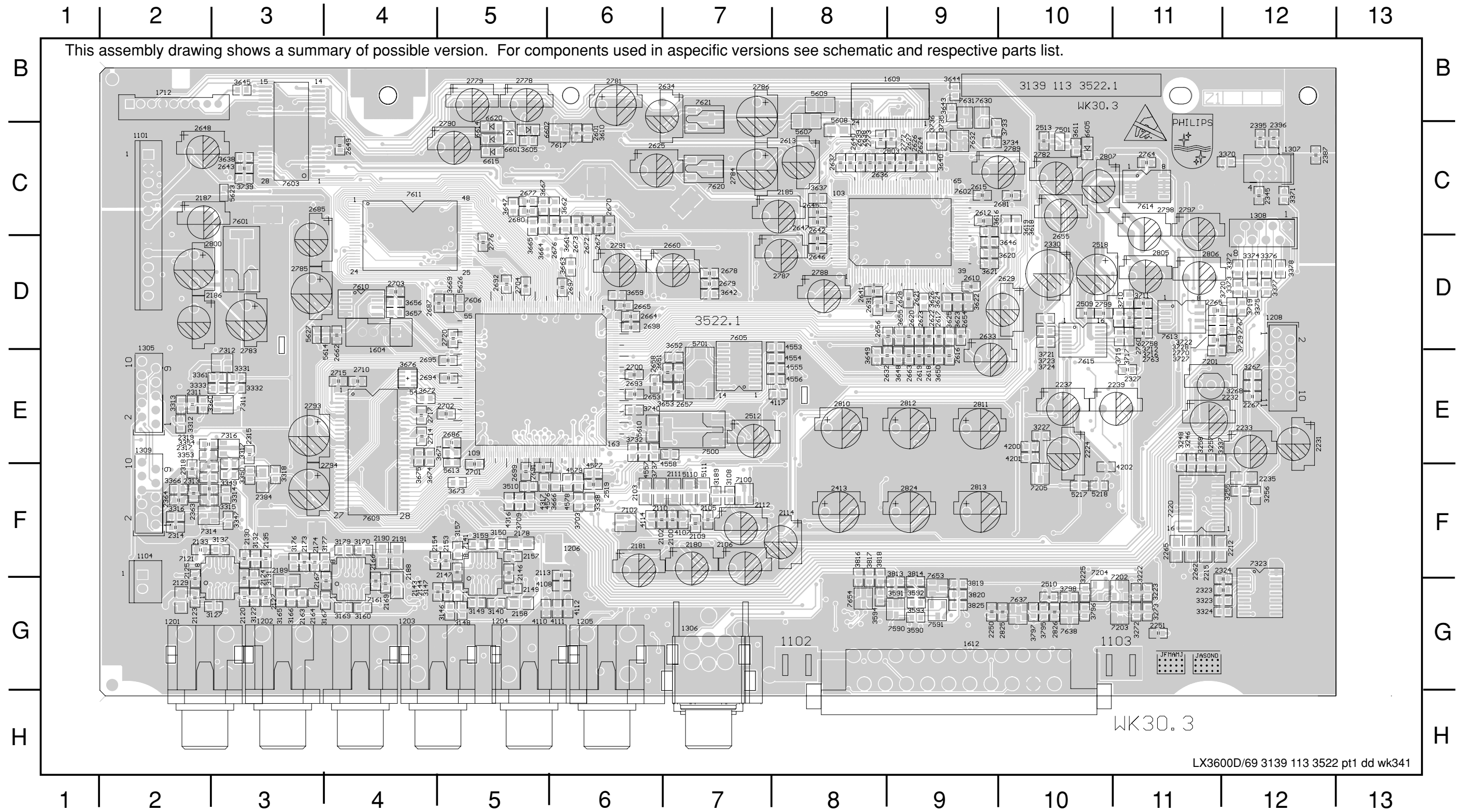
PCB 3139 113 3520 pt3 TOP VIEW MAPPING (For Page 7-10 only)

1101 C2	2167 G4	2601 C6	2673 C6	2791 D6	3257 F12	3623 D9	3724 E10	5607 C8	7631 C9
1104 G2	2169 G4	2610 D9	2676 C6	2793 E3	3258 F11	3624 D9	3727 E12	5608 C8	7632 C9
1201 G2	2173 G3	2612 C9	2677 C5	2794 F3	3267 E12	3625 D9	3728 D12	5609 B8	7637 G10
1202 G4	2174 G3	2613 C8	2678 D7	2797 D11	3268 E12	3626 D9	3729 E12	5610 E6	7638 G10
1203 G5	2178 F5	2615 C9	2679 D7	2798 D11	3272 G11	3637 C8	3732 F6	5613 F5	7653 G9
1204 G6	2180 G7	2616 E9	2680 C5	2799 D11	3273 G11	3638 C3	3733 C10	5614 D4	7654 G8
1205 G6	2181 G6	2617 D9	2681 C10	2800 D2	3312 E2	3640 C9	3734 C10	5623 C3	
1206 F6	2185 C8	2618 E9	2685 D3	2803 C9	3313 E2	3642 D7	3735 C9	5626 D5	
1208 E12	2186 D2	2619 E9	2686 E5	2805 D11	3314 F3	3643 B9	3736 C9	5627 D3	
1305 E2	2187 C2	2620 D9	2687 D5	2806 D11	3315 F2	3644 B9	3737 F7	5701 E7	
1306 G7	2188 G4	2621 D9	2691 F6	2807 C11	3316 F2	3645 B3	3739 C3	6601 C5	
1307 C12	2189 G3	2622 D9	2692 D5	2810 E8	3317 F3	3646 D10	3740 E6	6602 C5	
1308 D12	2190 F4	2623 D9	2693 E6	2811 E9	3318 F3	3647 C5	3795 G10	6605 C10	
1309 F2	2191 F4	2624 C9	2694 E5	2812 E9	3331 E3	3648 E9	3796 G10	6614 C5	
1604 D4	2212 F12	2625 C7	2695 E5	2813 F9	3332 E3	3649 E9	3797 G10	6615 C5	
1609 C9	2215 F11	2626 C9	2697 D6	2824 F9	3333 E3	3650 E9	3798 G10	6620 C5	
1612 G9	2224 F10	2627 C9	2698 D6	2825 G10	3337 F12	3651 E7	3813 G9	7100 F7	
1712 B2	2231 E12	2628 D9	2699 F5	2826 G10	3338 F6	3652 E7	3814 G9	7102 F6	
2100 F7	2232 E12	2629 D10	2700 E6	3108 F7	3347 F3	3653 E7	3816 G8	7121 G3	
2102 F7	2233 F12	2631 D9	2701 F5	3122 G3	3349 F3	3655 D9	3817 G8	7141 G5	
2103 F6	2235 F12	2632 E9	2702 E5	3127 G3	3350 F3	3656 D4	3818 G9	7161 G4	
2105 F7	2237 E10	2633 E10	2703 D4	3131 G3	3353 F2	3657 D4	3819 G9	7201 E12	
2106 G7	2239 E11	2634 C7	2704 D5	3132 F3	3354 F2	3659 D6	3820 G9	7202 G11	
2109 F7	2250 G10	2636 C9	2710 E4	3137 F3	3360 E2	3661 C6	3825 G9	7203 G11	
2110 F7	2251 G11	2637 C8	2714 E4	3140 G5	3361 E3	3662 C6	4107 F7	7204 G11	
2111 F7	2262 F11	2638 C8	2715 E4	3146 G5	3366 F2	3663 D6	4108 G6	7205 F10	
2112 F7	2265 F11	2639 C8	2717 E4	3147 G5	3370 C12	3664 C6	4110 G6	7220 F11	
2113 G6	2267 E12	2640 C8	2720 E5	3148 G5	3371 C12	3665 C5	4111 G6	7311 E3	
2114 F8	2311 E2	2641 D8	2758 D11	3149 G5	3372 D12	3666 F6	4112 G6	7312 E3	
2120 G3	2313 F2	2642 D8	2760 D11	3150 F5	3373 D12	3667 C6	4114 F6	7314 F2	
2123 G2	2314 F2	2643 C3	2763 D11	3157 F5	3374 D12	3669 D5	4117 E8	7316 E3	
2124 G3	2315 F3	2645 C8	2764 C11	3159 F5	3375 D12	3671 F5	4200 E10	7500 E7	
2125 G2	2317 F2	2646 D8	2765 D12	3160 G4	3376 D12	3672 E4	4201 F10	7501 C10	
2127 G3	2318 F2	2647 C8	2767 D12	3165 G3	3377 D12	3673 F5	4202 F11	7590 G9	
2129 G2	2319 E2	2648 C2	2770 E12	3166 G3	3378 D12	3674 F4	4316 F5	7591 G9	
2130 F3	2330 D10	2649 C4	2772 C9	3167 G4	3510 F5	3675 F4	4317 F5	7601 D3	
2133 F2	2345 C12	2653 E7	2773 C9	3169 G4	3590 G9	3676 E4	4553 E8	7602 D9	
2135 F3	2363 F2	2654 D9	2776 D5	3170 F4	3591 G9	3703 F6	4554 E8	7603 C3	
2143 G5	2364 F2	2655 C10	2778 B5	3176 G3	3592 G9	3709 F5	4555 E8	7605 E7	
2144 G5	2384 F3	2656 D9	2779 B5	3177 G4	3593 G9	3710 D11	4556 E8	7606 E5	
2146 G5	2387 C12	2657 E7	2781 B6	3179 F4	3594 G9	3711 D11	4557 F6	7609 F4	
2147 G5	2395 C12	2658 E7	2782 C10	3189 F7	3605 C5	3712 D11	4558 F7	7610 D4	
2149 G5	2396 C12	2660 D7	2783 D3	3222 G11	3610 C6	3715 D11	4576 F6	7611 D4	
2153 G5	2413 F8	2662 D4	2784 C7	3223 G11	3611 C10	3716 D11	4577 F6	7613 D11	
2154 G5	2509 D10	2663 E9	2785 D3	3225 G10	3616 D10	3717 D11	4578 F6	7614 C11	
2157 F5	2510 G10	2664 D6	2786 C7	3227 E10	3618 C10	3719 D12	4579 F6	7615 E10	
2158 G5	2512 E7	2665 D6	2787 D8	3246 F11	3619 C10	3720 D12	5110 F7	7617 C6	
2163 G3	2513 C10	2670 C6	2788 D8	3248 F11	3620 D10	3721 D10	5111 F7	7620 C7	
2164 G3	2518 D10	2671 C6	2789 C10	3255 F12	3621 D10	3722 D12	5217 F10	7621 C7	
2166 G4	2519 F6	2672 C6	2790 C5	3256 F12	3622 D9	3723 D10	5218 F11	7630 C9	

PCB 3139 113 3520 pt3 BOTTOM VIEW MAPPING (For Page 7-12 only)

2101 E8	2218 F3	2517 F5	2816 F6	3174 G11	3266 G12	3604 C9	4562 F9	6625 G5
2107 F8	2219 F3	2603 D11	2817 G5	3175 F12	3269 F4	3606 C10	4563 F9	6626 G5
2108 G8	2220 H13	2605 D13	2818 G6	3178 G11	3270 F4	3607 C9	4564 F9	6627 G6
2121 G12	2222 G5	2606 D12	2819 G6	3180 F8	3271 H13	3609 C9	4565 F9	7101 F8
2122 G13	2223 G5	2607 C12	2820 G6	3181 D13	3274 G4	3612 B8	4566 F9	7103 G13
2126 G13	2230 E3	2608 D11	2821 G7	3182 D13	3290 F5	3613 B8	4567 F10	7104 G13
2128 G12	2234 F4	2609 C13	3100 F8	3183 D13	3310 E12	3614 C7	4568 F10	7105 G13
2131 F12	2236 E5	2611 C6	3101 F8	3184 D13	3311 E12	3615 C6	4569 F10	7221 F4
2132 F13	2238 E4	2614 C6	3102 F8	3185 D13	3330 E12	3617 D7	4570 F10	7310 E12
2134 F12	2240 F4	2630 D7	3103 F9	3186 C13	3334 E13	3629 C8	4571 F10	7313 E12
2136 F12	2241 F4	2635 D7	3104 F8	3187 C13	3335 E13	3630 C8	4572 F10	7315 F13
2137 F13	2252 F5	2644 C12	3105 F8	3188 C13	3336 E13	3631 B12	4573 F10	7317 F13
2140 G10	2260 G13	2651 C12	3106 G13	3191 F9	3340 E12	3632 C12	4574 F10	7318 F12
2141 G9	2261 G13	2652 C13	3107 G13	3210 G12	3343 E12	3633 B12	5100 F8	7319 F12
2142 G10	2263 G12	2659 D8	3110 F8	3211 H12	3344 E12	3634 B12	5101 F8	7322 F12
2145 G10	2264 G12	2661 E9	3112 G13	3212 G13	3345 F12	3635 C12	5210 E3	7502 C5
2148 G10	2266 G11	2666 D9	3113 G13	3213 G11	3346 F12	3636 C12	5211 E3	7604 C12
2150 F10	2268 F4	2667 D9	3114 F9	3214 G11	3348 F13	3639 C12	5213 E3	7616 C10
2151 F10	2269 F4	2668 D9	3115 F9	3215 G11	3351 E13	3658 D9	5214 E3	7618 C10
2152 F9	2270 G13	2669 D9	3120 G12	3216 G11	3352 F12	3660 E9	5215 E3	
2155 F10	2340 F13	2674 E9	3121 G12	3217 D3	3355 E12	3678 C8	5216 D3	
2156 F10	2341 E13	2675 E9	3123 G12	3218 E3	3362 E13	3679 B8	5410 F7	
2159 G10	2342 E13	2696 E10	3124 G13	3219 F4	3363 E13	3680 D11	5602 D12	
2160 G11	2343 E13	2711 F11	3125 G13	3220 F3	3364 F10	3695 E9	5603 C13	
2161 G11	2344 E13	2712 F11	3126 G13	3221 H13	3365 F12	3704 G10	5604 C13	
2162 G11	2361 E13	2713 E11	3130 F12	3224 G4	3412 F7	3713 D4	5605 B8	
2165 G11	2380 E12	2721 E7	3133 F12	3226 G4	3511 F6	3725 D3	5606 C6	
2168 G11	2381 E12	2722 F7	3134 F13	3230 E4	3512 E7	3742 D4	5615 F7	
2170 F11	2382 F12	2723 E7	3135 F13	3231 E3	3514 F5	3743 D3	5616 F6	
2171 F11	2383 F12	2724 F6	3136 F13	3232 E4	3515 F5	3790 E6	5617 F6	
2172 G11	2385 E13	2725 F5	3141 G10	3234 E4	3517 F6	3791 F6	5620 F6	
2175 G11	2386 C11	2726 F6	3142 G10	3237 D4	3518 F6	3792 F6	5621 F6	
2176 G11	2388 D3	2728 F6	3143 G10	3239 E4	3520 F5	3793 E7	5624 C4	
2177 G11	2389 C3	2730 F6	3144 G10	3240 E4	3521 F6	3794 E6	5625 D9	
2179 F10	2390 D3	2731 F6	3145 G10	3242 E4	3523 F6	3801 E7	6100 F8	
2182 F9	2391 C3	2743 F6	3151 F10	3243 E4	3524 F6	3802 E6	6250 E4	
2183 F8	2392 D3	2744 F5	3152 G9	3244 E5	3526 F7	3803 F6	6251 F5	
2192 G12	2393 C3	2745 F6	3153 F9	3245 E5	3527 F7	3808 D12	6310 D5	
2193 F12	2394 D3	2746 F6	3154 F10	3247 E4	3529 E9	3809 D12	6410 F7	
2194 D13	2397 F13	2747 F6	3155 F10	3250 E3	3530 C5	4115 D8	6603 C10	
2195 C13	2398 F13	2748 F6	3156 F10	3251 F4	3531 D4	4116 F8	6604 D12	
2196 C13	2399 F13	2749 G11	3158 F10	3252 F4	3532 D4	4118 D8	6606 G5	
2197 C13	2410 F7	2751 G10	3161 G11	3253 F4	3533 C5	4203 F4	6607 G6	
2198 F8	2411 F7	2771 C7	3162 G11	3254 F3	3540 F9	4215 G4	6609 G6	
2210 G13	2412 F7	2774 C12	3163 G11	3260 G13	3541 F10	4220 F5	6611 G5	
2211 G13	2414 F7	2775 C12	3164 G11	3261 H13	3542 F9	4230 G9	6612 F6	
2213 G11	2511 E8	2777 D10	3168 G11	3262 H13	3543 F9	4310 D5	6613 G7	
2214 G11	2514 E7	2795 C4	3171 F11	3263 G12	3595 C9	4315 D5	6621 C9	
2216 G11	2515 F5	2796 D4	3172 G11	3264 G12	3602 C10	4551 E9	6622 C9	
2217 E3	2516 F6	2802 D11	3173 G11	3265 G12	3603 C9	4552 E9	6623 C9	

PCB 3139 113 3522 pt1 TOP VIEW - Use by all type/versions



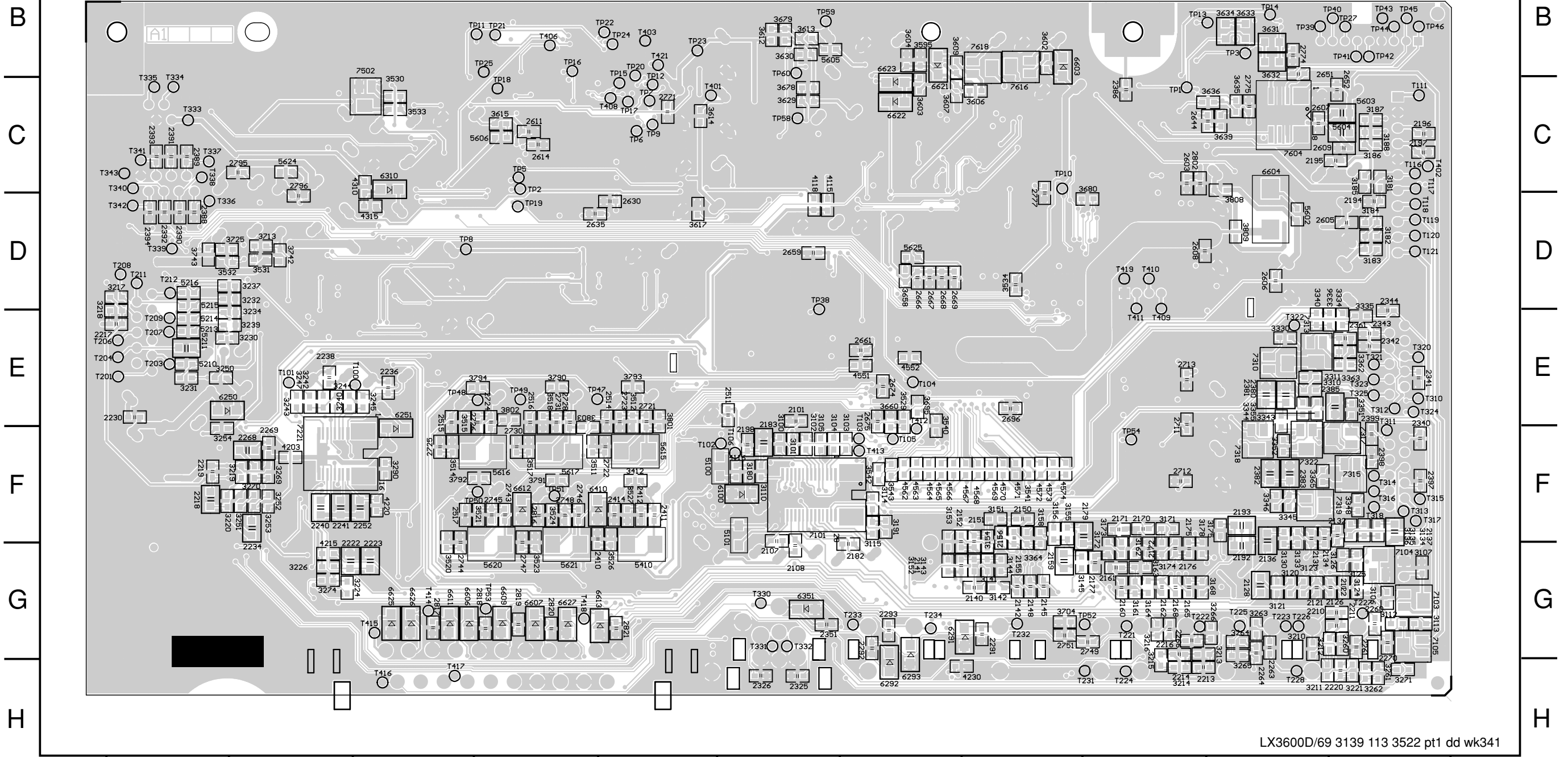
PCB 3139 113 3522 pt1 TOP VIEW MAPPING (For Page 7-14 only)

1101 C2	2158 G5	2384 F3	2649 C4	2764 C11	3148 G5	3353 F2	3652 E7	3796 G10	5701 E7	7653 H9
1104 G2	2163 G3	2387 C12	2653 E7	2765 D12	3149 G5	3354 F2	3653 E7	3797 G10	6601 C5	7654 H8
1201 G2	2164 G3	2395 C12	2654 D9	2767 D12	3150 F5	3360 E2	3655 D9	3798 G10	6602 C5	
1202 G4	2166 G4	2396 C12	2655 C10	2770 E12	3157 F5	3361 E3	3656 D4	3813 G9	6605 C10	
1203 G5	2167 G4	2413 F8	2656 D9	2772 C9	3159 F5	3366 F2	3657 D4	3814 G9	6614 C5	
1204 G5	2169 G4	2509 D10	2657 E7	2773 C9	3160 G4	3370 C12	3659 D6	3816 G8	6615 C5	
1205 G6	2173 G3	2510 G10	2658 E7	2776 D5	3165 G3	3371 C12	3661 C6	3817 G8	6620 C5	
1206 F6	2174 G3	2512 E7	2660 D7	2778 B5	3166 G3	3372 D12	3662 C6	3818 G9	7100 F7	
1208 E12	2178 F5	2513 C10	2662 D4	2779 B5	3167 G4	3373 D12	3663 D6	3819 G9	7102 F6	
1305 E2	2180 G7	2518 D10	2663 E9	2781 B6	3169 G4	3374 D12	3664 C6	3820 G9	7121 G3	
1306 G7	2181 G6	2519 F6	2664 D6	2782 C10	3170 F4	3375 D12	3665 C5	3825 G9	7141 G5	
1307 C12	2185 C8	2601 C6	2665 D6	2783 D3	3176 G3	3376 D12	3666 F6	4107 F7	7161 G4	
1308 D12	2186 D2	2610 D9	2670 C6	2784 C7	3177 G4	3377 D12	3667 C6	4108 G6	7201 E12	
1309 F2	2187 C2	2612 C9	2671 C6	2785 D3	3179 F4	3378 D12	3669 D5	4110 G6	7202 G11	
1604 D4	2188 G4	2613 C8	2672 C6	2786 C7	3189 F7	3510 F5	3671 F5	4111 G6	7203 G11	
1609 C9	2189 G3	2615 C9	2673 C6	2787 D8	3222 G11	3590 G9	3672 E4	4112 G6	7204 G11	
1612 G9	2190 F4	2616 E9	2676 C6	2788 D8	3223 G11	3591 G9	3673 F5	4114 F6	7205 F10	
1712 B2	2191 F4	2617 D9	2677 C5	2789 C10	3225 G10	3592 G9	3674 F4	4117 E8	7220 F11	
2100 F7	2212 F12	2618 E9	2678 D7	2790 C5	3227 E10	3593 G9	3675 F4	4200 E10	7311 E3	
2102 F7	2215 F11	2619 E9	2679 D7	2791 D6	3246 F11	3594 G9	3676 E4	4201 F10	7312 E3	
2103 F6	2224 F10	2620 D9	2680 C5	2793 E3	3248 F11	3605 C5	3703 F6	4202 F11	7314 F2	
2105 F7	2231 E12	2621 D9	2681 C10	2794 F3	3255 F12	3610 C6	3709 F5	4316 F5	7316 E3	
2106 G7	2232 E12	2622 D9	2685 D3	2797 D11	3256 F12	3611 C10	3710 D11	4317 F5	7323 G12	
2109 F7	2233 F12	2623 D9	2686 E5	2798 D11	3257 F12	3616 D10	3711 D11	4553 E8	7500 E7	
2110 F7	2235 F12	2624 C9	2687 D5	2799 D11	3258 F11	3618 C10	3712 D11	4554 E8	7501 C10	
2111 F7	2237 E10	2625 C7	2691 F6	2800 D2	3267 E12	3619 C10	3715 D11	4555 E8	7590 G9	
2112 F7	2239 E11	2626 C9	2692 D5	2803 C9	3268 E12	3620 D10	3716 D11	4556 E8	7591 G9	
2113 G6	2250 G10	2627 C9	2693 E6	2805 D11	3272 G11	3621 D10	3717 D11	4557 F6	7601 D3	
2114 F8	2251 G11	2628 D9	2694 E5	2806 D11	3273 G11	3622 D9	3719 D12	4558 F7	7602 D9	
2120 G3	2262 F11	2629 D10	2695 E5	2807 C11	3312 E2	3623 D9	3720 D12	4576 F6	7603 C3	
2123 G2	2265 F11	2631 D9	2697 D6	2810 E8	3313 E2	3624 D9	3721 D10	4577 F6	7605 E7	
2124 G3	2267 E12	2632 E9	2698 D6	2811 E9	3314 F3	3625 D9	3722 D12	4578 F6	7606 E5	
2125 G2	2311 E2	2633 E10	2699 F5	2812 E9	3315 F2	3626 D9	3723 D10	4579 F6	7609 F4	
2127 G3	2313 F2	2634 C7	2700 E6	2813 F9	3316 F2	3637 C8	3724 E10	5110 F7	7610 D4	
2129 G2	2314 F2	2636 C9	2701 F5	2824 F9	3317 F3	3638 C3	3727 E12	5111 F7	7611 D4	
2130 F3	2315 F3	2637 C8	2702 E5	2825 G10	3318 F3	3640 C9	3728 D12	5217 F10	7613 D11	
2133 F2	2317 F2	2638 C8	2703 D4	2826 G10	3323 G12	3642 D7	3729 E12	5218 F11	7614 C11	
2135 F3	2318 F2	2639 C8	2704 D5	3108 F7	3324 G12	3643 B9	3732 F6	5607 C8	7615 E10	
2143 G5	2319 E2	2640 C8	2710 E4	3122 G3	3331 E3	3644 B9	3733 C10	5608 C8	7617 C6	
2144 G5	2323 G12	2641 D8	2714 E4	3127 G3	3332 E3	3645 B3	3734 C10	5609 B8	7620 C7	
2146 G5	2324 G12	2642 D8	2715 E4	3131 G3	3333 E3	3646 D10	3735 C9	5610 E6	7621 C7	
2147 G5	2327 E11	2643 C3	2717 E4	3132 F3	3337 F12	3647 C5	3736 C9	5613 F5	7630 C9	
2149 G5	2330 D10	2645 C8	2720 E5	3137 F3	3338 F6	3648 E9	3737 F7	5614 D4	7631 H9	
2153 G5	2345 C12	2646 D8	2758 D11	3140 G5	3347 F3	3649 E9	3739 C3	5623 C3	7632 H9	
2154 G5	2363 F2	2647 C8	2760 D11	3146 G5	3349 F3	3650 E9	3740 E6	5626 D5	7637 H10	
2157 F5	2364 F2	2648 C2	2763 D11	3147 G5	3350 F3	3651 E7	3795 G10	5627 D3	7638 H10	

PCB 3139 113 3522 pt1 BOTTOM VIEW - Use by all Type/versions

2 3 4 5 6 7 8 9 10 11 12 13 14

This assembly drawing shows a summary of possible version. For components used in aspecific versions see schematic and respective parts list.



2 3 4 5 6 7 8 9 10 11 12 13 14

PCB 3139 113 3522 pt1 BOTTOM VIEW MAPPING (For Page 7-16 only)

2101 E8	2195 C13	2351 G8	2659 D8	2820 G6	3163 G11	3242 E4	3365 F12	3633 B12	4565 F9	6603 C10
2107 F8	2196 C13	2361 E13	2661 E9	2821 G7	3164 G11	3243 E4	3412 F7	3634 B12	4566 F9	6604 D12
2108 G8	2197 C13	2380 E12	2666 D9	3100 F8	3168 G11	3244 E5	3511 F6	3635 C12	4567 F10	6606 G5
2121 G12	2198 F8	2381 E12	2667 D9	3101 F8	3171 F11	3245 E5	3512 E7	3636 C12	4568 F10	6607 G6
2122 G13	2210 G13	2382 F12	2668 D9	3102 F8	3172 G11	3247 E4	3514 F5	3639 C12	4569 F10	6609 G6
2126 G13	2211 G13	2383 F12	2669 D9	3103 F9	3173 G11	3250 E3	3515 F5	3658 D9	4570 F10	6611 G5
2128 G12	2213 G11	2385 E13	2674 E9	3104 F8	3174 G11	3251 F4	3517 F6	3660 E9	4571 F10	6612 F6
2131 F12	2214 G11	2386 C11	2675 E9	3105 F8	3175 F12	3252 F4	3518 F6	3678 C8	4572 F10	6613 G7
2132 F13	2216 G11	2388 D3	2696 E10	3106 G13	3178 G11	3253 F4	3520 F5	3679 B8	4573 F10	6621 C9
2134 F12	2217 E3	2389 C3	2711 F11	3107 G13	3180 F8	3254 F3	3521 F6	3680 D11	4574 F10	6622 C9
2136 F12	2218 F3	2390 D3	2712 F11	3110 F8	3181 D13	3260 G13	3523 F6	3695 E9	5100 F8	6623 C9
2137 F13	2219 F3	2391 C3	2713 E11	3112 G13	3182 D13	3261 H13	3524 F6	3704 G10	5101 F8	6625 G5
2140 G10	2220 H13	2392 D3	2721 E7	3113 G13	3183 D13	3262 H13	3526 F7	3713 D4	5210 E3	6626 G5
2141 G9	2222 G5	2393 C3	2722 F7	3114 F9	3184 D13	3263 G12	3527 F7	3725 D3	5211 E3	6627 G6
2142 G10	2223 G5	2394 D3	2723 E7	3115 F9	3185 D13	3264 G12	3529 E9	3742 D4	5213 E3	7101 F8
2145 G10	2230 E3	2397 F13	2724 F6	3120 G12	3186 C13	3265 G12	3530 C5	3743 D3	5214 E3	7103 G13
2148 G10	2234 F4	2398 F13	2725 F5	3121 G12	3187 C13	3266 G12	3531 D4	3790 E6	5215 E3	7104 G13
2150 F10	2236 E5	2399 F13	2726 F6	3123 G12	3188 C13	3269 F4	3532 D4	3791 F6	5216 D3	7105 G13
2151 F10	2238 E4	2410 F7	2728 F6	3124 G13	3191 F9	3270 F4	3533 C5	3792 F6	5410 F7	7221 F4
2152 F9	2240 F4	2411 F7	2730 F6	3125 G13	3210 G12	3271 H13	3534 D10	3793 E7	5602 D12	7310 E12
2155 F10	2241 F4	2412 F7	2731 F6	3126 G13	3211 H12	3274 G4	3540 F9	3794 E6	5603 C13	7313 E12
2156 F10	2252 F5	2414 F7	2743 F6	3130 F12	3212 G13	3290 F5	3541 F10	3801 E7	5604 C13	7315 F13
2159 G10	2260 G13	2511 E8	2744 F5	3133 F12	3213 G11	3310 E12	3542 F9	3802 E6	5605 B8	7317 F13
2160 G11	2261 G13	2514 E7	2745 F6	3134 F13	3214 G11	3311 E12	3543 F9	3803 F6	5606 C6	7318 F12
2161 G11	2263 G12	2515 F5	2746 F6	3135 F13	3215 G11	3330 E12	3595 C9	3808 D12	5615 F7	7319 F12
2162 G11	2264 G12	2516 F6	2747 F6	3136 F13	3216 G11	3334 E13	3602 C10	3809 D12	5616 F6	7322 F12
2165 G11	2266 G11	2517 F5	2748 F6	3141 G10	3217 D3	3335 E13	3603 C9	4115 D8	5617 F6	7502 C5
2168 G11	2268 F4	2603 D11	2749 G11	3142 G10	3218 E3	3336 E13	3604 C9	4116 F8	5620 F6	7604 C12
2170 F11	2269 F4	2605 D13	2751 G10	3143 G10	3219 F4	3340 E12	3606 C10	4118 D8	5621 F6	7616 C10
2171 F11	2270 G13	2606 D12	2771 C7	3144 G10	3220 F3	3343 E12	3607 C9	4203 F4	5624 C4	7618 C10
2172 G11	2291 G10	2607 C12	2774 C12	3145 G10	3221 H13	3344 E12	3609 C9	4215 G4	5625 D9	
2175 G11	2292 G9	2608 D11	2775 C12	3151 F10	3224 G4	3345 F12	3612 B8	4220 F5	6100 F8	
2176 G11	2293 G9	2609 C13	2777 D10	3152 G9	3226 G4	3346 F12	3613 B8	4230 G9	6250 E4	
2177 G11	2325 H8	2611 C6	2795 C4	3153 F9	3230 E4	3348 F13	3614 C7	4310 D5	6251 F5	
2179 F10	2326 H8	2614 C6	2796 D4	3154 F10	3231 E3	3351 E13	3615 C6	4315 D5	6291 G10	
2182 F9	2340 F13	2630 D7	2802 D11	3155 F10	3232 E4	3352 F12	3617 D7	4551 E9	6292 G9	
2183 F8	2341 E13	2635 D7	2816 F6	3156 F10	3234 E4	3355 E12	3629 C8	4552 E9	6293 G9	
2192 G12	2342 E13	2644 C12	2817 G5	3158 F10	3237 D4	3362 E13	3630 C8	4562 F9	6310 D5	
2193 F12	2343 E13	2651 C12	2818 G6	3161 G11	3239 E4	3363 E13	3631 B12	4563 F9	6351 G8	
2194 D13	2344 E13	2652 C13	2819 G6	3162 G11	3240 E4	3364 F10	3632 C12	4564 F9	6410 F7	

ELECTRICAL PARTS LIST - MONO AV BOARD

MISCELLANEOUS

1102	3139 241 21102	EMC Spring	
1103	3139 241 21102	EMC Spring	
1201	2422 026 04754	Socket Cinch TV-in	not for /22/25
1202	2422 026 05462	Socket Cinch Aux-in/Line-out	
1204	2422 026 05531	Socket Cinch Pr	not for /22/25
1205	2422 026 05529	Socket Cinch Y/Pb	not for /22/25
1208	4822 267 11039	Flex Socket 11P Vert	
1305	4822 267 10729	Flex Socket 10P Vert	
1306	2422 026 05495	Socket S-Video	/22/25
1306	2422 033 00468	Socket CVBS/S-Video	not for /22/25
1307	4822 267 10733	Flex Socket 4P Vert	
1308	4822 265 11515	Flex Socket 8P Vert	
1309	4822 267 10729	Flex Socket 10P Vert	
1609	2422 025 17075	Flex Socket 24P Hort	
1612	2422 025 12352	Socket Scart 21P	/22/25

CAPACITORS

2100	4822 122 33752	15pF 5% 50V	
2101	4822 126 14241	330pF 50V	
2102	4822 122 33752	15pF 5% 50V	
2103	4822 126 14472	1uF 10%	
2105	2238 586 59812	100nF +80/-20% 50V	
2106	4822 124 40433	47uF 20% 25V	
2107	2238 586 59812	100nF +80/-20% 50V	
2108	2238 586 59812	100nF +80/-20% 50V	
2110	4822 126 14472	1uF 10% 10V	
2114	4822 124 40433	47uF 20% 25V	
2120	4822 126 14249	560pF 10% 50V	
2121	2020 552 94427	100pF 5% 50V	
2122	2020 552 94427	100pF 5% 50V	
2123	4822 126 14249	560pF 10% 50V	
2124	2238 586 59812	100nF +80/-20% 50V	
2125	2238 586 59812	100nF +80/-20% 50V	
2127	4822 126 13909	680pF 10% 50V	
2128	4822 126 14472	1uF 10% 10V	
2129	4822 126 14472	1uF 10% 10V	
2130	4822 126 14249	560pF 10% 50V	
2131	2020 552 94427	100pF 5% 50V	
2132	2020 552 94427	100pF 5% 50V	
2133	4822 126 14249	560pF 10% 50V	
2135	4822 126 13909	680pF 10% 50V	
2136	4822 126 14472	1uF 10% 10V	
2137	4822 126 14472	1uF 10% 10V	
2140	4822 126 14241	330pF 50V	
2141	4822 126 13881	470pF 5% 50V	
2142	4822 126 14226	82pF 5% 50V	
2143	4822 126 14241	330pF 50V	
2144	4822 126 13881	470pF 5% 50V	
2145	4822 126 14226	82pF 5% 50V	
2146	2238 586 59812	100nF +80/-20% 50V	
2147	2238 586 59812	100nF +80/-20% 50V	
2149	4822 126 13909	680pF 10% 50V	

2150	4822 126 14241	330pF 50V	
2151	4822 126 13881	470pF 5% 50V	
2152	4822 126 14226	82pF 5% 50V	
2153	4822 126 14241	330pF 50V	
2154	4822 126 13881	470pF 5% 50V	
2155	4822 126 14226	82pF 5% 50V	
2157	4822 126 13909	680pF 10% 50V	
2158	4822 126 14472	1uF 10% 10V	
2159	4822 126 14472	1uF 10% 10V	
2160	4822 126 14241	330pF 50V	
2161	4822 126 13881	470pF 5% 50V	
2162	4822 126 14226	82pF 5% 50V	
2163	4822 126 14241	330pF 50V	
2164	4822 126 13881	470pF 5% 50V	
2165	4822 126 14226	82pF 5% 50V	
2166	2238 586 59812	100nF +80/-20% 50V	
2167	2238 586 59812	100nF +80/-20% 50V	
2169	4822 126 13909	680pF 10% 50V	
2170	4822 126 14241	330pF 50V	
2171	4822 126 13881	470pF 5% 50V	
2172	4822 126 14241	330pF 50V	
2173	4822 126 14241	330pF 50V	
2174	4822 126 13881	470pF 5% 50V	
2175	4822 126 14241	330pF 50V	
2177	4822 126 13909	680pF 10% 50V	
2178	4822 126 14472	1uF 10% 10V	
2179	4822 126 14472	1uF 10% 10V	
2180	4822 124 40433	47uF 20% 25V	
2181	4822 124 40433	47uF 20% 25V	
2182	2238 586 59812	100nF +80/-20% 50V	
2183	4822 126 14472	1uF 10% 10V	
2185	4822 124 40433	47uF 20% 25V	
2186	4822 124 40433	47uF 20% 25V	
2187	4822 124 40433	47uF 20% 25V	
2188	4822 126 14472	1uF 10% 10V	
2189	4822 126 14472	1uF 10% 10V	
2190	4822 126 14472	1uF 10% 10V	
2191	4822 126 14472	1uF 10% 10V	
2192	4822 126 14472	1uF 10% 10V	
2193	4822 126 14472	1uF 10% 10V	
2210	4822 126 14221	68pF 5% 50V	not for /22/25
2211	2020 552 94427	100pF 5% 50V	
2212	4822 126 14472	1uF 10% 10V	
2213	4822 126 13956	68pF 5% 63V	
2214	2020 552 94427	100pF 5% 50V	
2215	4822 126 14472	1uF 10% 10V	
2216	4822 126 13956	68pF 5% 63V	
2217	2020 552 94427	100pF 5% 50V	
2218	2020 552 96684	470nF 10% 25V	
2219	4822 126 13883	220pF 5% 50V	
2220	4822 126 13956	68pF 5% 63V	/22/25
2222	4822 126 14472	1uF 10% 10V	

ELECTRICAL PARTS LIST - MONO AV BOARD

2223	2020 552 96305	4,7uF +80/-20% 10V	
2224	4822 124 40433	47uF 20% 25V	
2230	2238 916 15641	22nF 10% 25V	
2231	4822 124 81151	22uF 20% 50V	
2232	4822 124 40196	220uF 20% 16V	
2233	4822 124 81151	22uF 20% 50V	
2234	4822 126 14472	1uF 10% 10V	
2235	4822 126 14472	1uF 10% 10V	
2236	2238 586 59812	100nF +80/-20% 50V	
2237	4822 124 81151	22uF 20% 50V	
2238	2238 586 59812	100nF +80/-20% 50V	
2239	4822 124 40433	47uF 20% 25V	
2240	3198 017 41050	1uF 10V	
2241	3198 017 41050	1uF 10V	
2250	2238 586 59812	100nF +80/-20% 50V	
2251	2238 586 59812	100nF +80/-20% 50V	
2252	3198 017 41050	1uF 10V	
2260	4822 126 14221	68pF 5% 50V	not for /22/25
2261	2020 552 94427	100pF 5% 50V	
2262	4822 126 14472	1uF 10% 10V	
2263	4822 126 13956	68pF 5% 63V	
2264	2020 552 94427	100pF 5% 50V	
2265	4822 126 14472	1uF 10% 10V	
2266	4822 126 13956	68pF 5% 63V	
2267	2020 552 94427	100pF 5% 50V	
2268	2020 552 96684	470nF 10% 25V	
2269	4822 126 13883	220pF 5% 50V	
2270	4822 126 13956	68pF 5% 63V	/22/25
2291	4822 126 13883	220pF 5% 50V	not for /22/25
2292	4822 126 13883	220pF 5% 50V	not for /22/25
2293	4822 126 13883	220pF 5% 50V	not for /22/25
2311	2020 552 94427	100pF 5% 50V	
2313	4822 126 14508	180pF 5% 50V	
2314	2020 552 94427	100pF 5% 50V	
2315	2020 552 94427	100pF 5% 50V	
2317	2238 586 59812	100nF +80/-20% 50V	
2318	4822 051 30008	OR Jumper 0603	
2319	2020 552 94427	100pF 5% 50V	
2325	4822 126 13883	220pF 5% 50V	not for /22/25
2326	2222 867 15339	33pF 5% 50V	not for /22/25
2327	4822 126 14249	560pF 10% 50V	
2330	4822 124 80503	470uF 20% 10V	
2351	2222 867 15339	33pF 5% 50V	not for /22/25
2361	2020 552 94427	100pF 5% 50V	
2363	4822 126 14508	180pF 5% 50V	
2364	2020 552 94427	100pF 5% 50V	
2380	4822 126 14472	1uF 10% 10V	
2381	2020 552 96305	4,7uF +80/-20% 10V	
2382	4822 126 14472	1uF 10% 10V	
2383	2020 552 96305	4,7uF +80/-20% 10V	
2384	4822 126 14472	1uF 10% 10V	
2385	2020 552 96305	4,7uF +80/-20% 10V	

2386	2238 586 59812	100nF +80/-20% 50V	
2387	2238 586 59812	100nF +80/-20% 50V	
2388	4822 126 13883	220pF 5% 50V	
2389	4822 126 13883	220pF 5% 50V	
2390	4822 126 13883	220pF 5% 50V	
2391	4822 126 13883	220pF 5% 50V	
2393	4822 126 13883	220pF 5% 50V	
2394	4822 126 13883	220pF 5% 50V	
2410	2020 552 94427	100pF 5% 50V	
2412	2020 552 94427	100pF 5% 50V	
2414	4822 126 13883	220pF 5% 50V	/22/25
2509	2238 586 59812	100nF +80/-20% 50V	
2510	4822 126 13879	220nF +80/-20% 16V	/22/25
2511	2238 586 59812	100nF +80/-20% 50V	
2512	4822 124 81151	22uF 20% 50V	
2513	2238 586 59812	100nF +80/-20% 50V	
2514	2020 552 94427	100pF 5% 50V	
2515	2020 552 94427	100pF 5% 50V	
2516	2020 552 94427	100pF 5% 50V	
2517	2020 552 94427	100pF 5% 50V	
2519	2238 586 59812	100nF +80/-20% 50V	
2601	3198 017 41050	1uF 10V	/22/25
2603	2238 586 59812	100nF +80/-20% 50V	
2605	2238 586 59812	100nF +80/-20% 50V	
2606	2238 586 59812	100nF +80/-20% 50V	
2607	2238 586 59812	100nF +80/-20% 50V	
2608	2238 586 59812	100nF +80/-20% 50V	
2609	2238 586 59812	100nF +80/-20% 50V	
2610	2238 586 59812	100nF +80/-20% 50V	
2611	2238 586 59812	100nF +80/-20% 50V	
2612	2238 586 59812	100nF +80/-20% 50V	
2613	4822 124 23432	100uF 20% 10V	
2614	2238 586 59812	100nF +80/-20% 50V	
2615	2238 586 59812	100nF +80/-20% 50V	
2617	3198 017 31530	15nF 50V	
2619	4822 126 14226	82pF 5% 50V	
2620	4822 126 14315	390pF 5% 50V	
2621	2238 586 59812	100nF +80/-20% 50V	
2623	4822 126 14549	33nF 16V	
2624	4822 126 13881	470pF 5% 50V	
2625	4822 124 40433	47uF 20% 25V	
2626	2238 586 59812	100nF +80/-20% 50V	
2627	2238 586 59812	100nF +80/-20% 50V	
2628	2238 586 59812	100nF +80/-20% 50V	
2629	4822 124 40433	47uF 20% 25V	
2630	2238 586 59812	100nF +80/-20% 50V	
2631	2238 586 59812	100nF +80/-20% 50V	
2632	2238 586 59812	100nF +80/-20% 50V	
2633	4822 124 40433	47uF 20% 25V	
2634	4822 124 81286	47uF 20% 16V	
2635	2238 586 59812	100nF +80/-20% 50V	
2637	3198 017 41050	1uF 10V	

ELECTRICAL PARTS LIST - MONO AV BOARD

CAPACITORS

2638	3198 017 41050	1uF 10V	2699	2238 586 59812	100nF +80/-20% 50V
2639	3198 017 41050	1uF 10V	2700	2238 586 59812	100nF +80/-20% 50V
2640	3198 017 41050	1uF 10V	2701	2238 586 59812	100nF +80/-20% 50V
2641	2238 586 59812	100nF +80/-20% 50V	2702	2238 586 59812	100nF +80/-20% 50V
2642	3198 017 31530	15nF 50V	2703	2238 586 59812	100nF +80/-20% 50V
2643	4822 122 33753	150pF 5% 50V	2704	2238 586 59812	100nF +80/-20% 50V
2644	4822 122 33753	150pF 5% 50V	2710	2238 586 59812	100nF +80/-20% 50V
2645	2238 586 59812	100nF +80/-20% 50V	2711	2238 586 59812	100nF +80/-20% 50V
2646	2238 586 59812	100nF +80/-20% 50V	2712	2238 586 59812	100nF +80/-20% 50V
2647	2238 586 59812	100nF +80/-20% 50V	2713	2238 586 59812	100nF +80/-20% 50V
2648	4822 124 40207	100uF 20% 25V	2714	2238 586 59812	100nF +80/-20% 50V
2649	2238 586 59812	100nF +80/-20% 50V	2715	2238 586 59812	100nF +80/-20% 50V
2651	2238 586 59812	100nF +80/-20% 50V	2717	2238 586 59812	100nF +80/-20% 50V
2652	2238 586 59812	100nF +80/-20% 50V	2720	2238 586 59812	100nF +80/-20% 50V
2653	2238 586 59812	100nF +80/-20% 50V	2722	4822 126 13883	220pF 5% 50V
2654	2238 586 59812	100nF +80/-20% 50V	2723	2020 552 94427	100pF 5% 50V
2655	4822 124 40433	47uF 20% 25V	2725	4822 126 13883	220pF 5% 50V
2656	2238 586 59812	100nF +80/-20% 50V	2726	2020 552 94427	100pF 5% 50V
2657	4822 122 33741	10pF 10% 50V	2730	4822 126 13883	220pF 5% 50V
2658	4822 122 33741	10pF 10% 50V	2731	2020 552 94427	100pF 5% 50V
2659	2238 586 59812	100nF +80/-20% 50V	2744	4822 126 13883	220pF 5% 50V
2660	4822 124 40433	47uF 20% 25V	2745	2020 552 94427	100pF 5% 50V
2661	2238 586 59812	100nF +80/-20% 50V	2747	4822 126 13883	220pF 5% 50V
2662	3198 017 41050	1uF 10V	2748	2020 552 94427	100pF 5% 50V
2663	3198 016 31020	1nF 25V	2758	4822 126 13909	680pF 10% 50V
2664	3198 016 31020	1nF 25V	2760	5322 126 11579	3,3nF 10% 63V
2665	3198 016 31020	1nF 25V	2763	4822 126 13909	680pF 10% 50V
2666	3198 016 31020	1nF 25V	2764	2238 586 59812	100nF +80/-20% 50V
2667	2238 586 59812	100nF +80/-20% 50V	2765	4822 126 13909	680pF 10% 50V
2668	3198 017 41050	1uF 10V	2767	5322 126 11579	3,3nF 10% 63V
2669	5322 126 11583	10nF 10% 50V	2770	4822 126 13909	680pF 10% 50V
2670	5322 126 11583	10nF 10% 50V	2771	2238 586 59812	100nF +80/-20% 50V
2671	5322 126 11583	10nF 10% 50V	2772	2238 586 59812	100nF +80/-20% 50V
2672	5322 126 11583	10nF 10% 50V	2773	2238 586 59812	100nF +80/-20% 50V
2673	5322 126 11583	10nF 10% 50V	2774	2238 586 59812	100nF +80/-20% 50V
2674	2238 586 59812	100nF +80/-20% 50V	2775	2238 586 59812	100nF +80/-20% 50V
2676	2020 552 94427	100pF 5% 50V	2776	2238 586 59812	100nF +80/-20% 50V
2677	2238 586 59812	100nF +80/-20% 50V	2777	2238 586 59812	100nF +80/-20% 50V
2678	3198 017 31530	15nF 50V	2778	4822 124 23432	100uF 20% 10V
2679	4822 126 14241	330pF 50V	2779	4822 124 23432	100uF 20% 10V
2680	4822 126 14241	330pF 50V	2781	4822 124 12245	220uF 20% 10V
2685	4822 124 81151	22uF 20% 50V	2782	4822 124 11947	10uF 20% 16V
2686	3198 017 41050	1uF 10V	2783	4822 124 40196	220uF 20% 16V
2687	3198 017 41050	1uF 10V	2784	4822 124 40196	220uF 20% 16V
2691	2238 586 59812	100nF +80/-20% 50V	2785	4822 124 40196	220uF 20% 16V
2692	2238 586 59812	100nF +80/-20% 50V	2786	4822 124 12245	220uF 20% 10V
2693	2238 586 59812	100nF +80/-20% 50V	2787	4822 124 40207	100uF 20% 25V
2694	2238 586 59812	100nF +80/-20% 50V	2788	4822 124 40433	47uF 20% 25V
2695	2238 586 59812	100nF +80/-20% 50V	2789	4822 124 40433	47uF 20% 25V
2696	2238 586 59812	100nF +80/-20% 50V	2790	4822 124 23432	100uF 20% 10V
2697	2238 586 59812	100nF +80/-20% 50V	2791	4822 124 40433	47uF 20% 25V
2698	2238 586 59812	100nF +80/-20% 50V	2793	4822 124 40196	220uF 20% 16V

ELECTRICAL PARTS LIST - MONO AV BOARD

2794	4822 124 40196	220uF 20% 16V	3146	4822 051 30103	10k 5% 0,062W
2795	2238 586 59812	100nF +80/-20% 50V	3147	4822 051 30123	12k 5% 0,062W
2796	2238 586 59812	100nF +80/-20% 50V	3148	4822 051 30123	12k 5% 0,062W
2797	4822 124 40207	100uF 20% 25V	3149	4822 051 30153	15k 5% 0,062W
2798	4822 124 40207	100uF 20% 25V	3150	4822 051 30103	10k 5% 0,062W
2799	2238 586 59812	100nF +80/-20% 50V	3151	4822 051 30103	10k 5% 0,062W
2800	4822 124 40207	100uF 20% 25V	3152	4822 051 30123	12k 5% 0,062W
2802	2238 586 59812	100nF +80/-20% 50V	3153	4822 051 30123	12k 5% 0,062W
2803	5322 122 33861	120pF 10% 50V	3154	4822 051 30153	15k 5% 0,062W
2805	4822 124 81151	22uF 20% 50V	3155	4822 051 30103	10k 5% 0,062W
2806	4822 124 81151	22uF 20% 50V	3156	4822 051 30103	10k 5% 0,062W
2807	4822 124 81286	47uF 20% 16V	3157	4822 051 30123	12k 5% 0,062W
2810	4822 124 81044	470uF 20% 6,3V	3158	4822 051 30123	12k 5% 0,062W
2811	4822 124 81044	470uF 20% 6,3V	3159	4822 051 30153	15k 5% 0,062W
2812	4822 124 81044	470uF 20% 6,3V	3160	4822 051 30103	10k 5% 0,062W
2816	2222 867 15339	33pF 5% 50V	3161	4822 051 30103	10k 5% 0,062W
2817	4822 126 13883	220pF 5% 50V	3162	4822 051 30123	12k 5% 0,062W
2818	4822 126 13883	220pF 5% 50V	3163	4822 051 30123	12k 5% 0,062W
2819	4822 126 13883	220pF 5% 50V	3164	4822 051 30153	15k 5% 0,062W
2820	4822 126 13883	220pF 5% 50V	3165	4822 051 30103	10k 5% 0,062W
2821	2222 867 15339	33pF 5% 50V	3166	4822 051 30103	10k 5% 0,062W
			3167	4822 051 30123	12k 5% 0,062W
			3168	4822 051 30123	12k 5% 0,062W
			3169	4822 051 30153	15k 5% 0,062W
			3170	4822 051 30008	OR Jumper 0603
			3171	4822 051 30103	10k 5% 0,062W
			3172	4822 051 30563	56k 5% 0,062W
			3173	4822 051 30123	12k 5% 0,062W
			3174	4822 051 30153	15k 5% 0,062W
			3175	4822 051 30008	OR Jumper 0603
			3176	4822 051 30103	10k 5% 0,062W
			3177	4822 051 30563	56k 5% 0,062W
			3178	4822 051 30123	12k 5% 0,062W
			3179	4822 051 30153	15k 5% 0,062W
			3181	4822 051 30471	470R 5% 0,062W
			3182	4822 117 12139	22R 5% 0,062W
			3183	4822 117 12139	22R 5% 0,062W
			3184	4822 117 12139	22R 5% 0,062W
			3185	4822 051 30471	470R 5% 0,062W
			3186	4822 117 12139	22R 5% 0,062W
			3187	4822 117 12139	22R 5% 0,062W
			3188	4822 117 12139	22R 5% 0,062W
			3189	4822 051 30102	1k 5% 0,062W
			3210	4822 051 30472	4k7 5% 0,062W
			3211	4822 051 30008	OR Jumper 0603
			3212	4822 051 30474	470k 5% 0,062W
			3213	4822 051 30332	3k3 5% 0,062W
			3214	4822 051 30183	18k 5% 0,062W
			3215	4822 051 30333	33k 5% 0,062W
			3216	4822 051 30471	470R 5% 0,062W
			3217	4822 051 30472	4k7 5% 0,062W
			3218	4822 117 12925	47k 1% 0,063W

RESISTORS

not for /22/25

ELECTRICAL PARTS LIST - MONO AV BOARD

RESISTORS

3219	4822 117 13632	100k 1% 0,062W		3315	4822 117 13632	100k 1% 0,062W
3220	4822 051 30151	150R 5% 0,062W		3316	4822 051 30101	100R 5% 0,062W
3221	4822 051 30472	4k7 5% 0,062W	/22/25	3317	4822 117 12891	220k 1% 0,062W
3222	4822 051 30223	22k 5% 0,062W		3318	4822 051 30222	2k2 5% 0,062W
3223	4822 051 30472	4k7 5% 0,062W		3330	4822 051 30102	1k 5% 0,062W
3224	4822 051 30102	1k 5% 0,062W		3331	4822 051 30102	1k 5% 0,062W
3225	4822 117 12925	47k 1% 0,063W		3332	4822 051 30102	1k 5% 0,062W
3226	4822 051 30474	470k 5% 0,062W		3333	4822 051 30102	1k 5% 0,062W
3227	4822 051 30121	120R 5% 0,062W		3334	4822 051 30101	100R 5% 0,062W
3230	4822 051 30103	10k 5% 0,062W		3335	4822 051 30101	100R 5% 0,062W
3231	4822 051 30101	100R 5% 0,062W		3336	4822 051 30102	1k 5% 0,062W
3232	4822 051 30103	10k 5% 0,062W		3337	4822 051 30472	4k7 5% 0,062W
3234	4822 051 30103	10k 5% 0,062W		3338	4822 051 30103	10k 5% 0,062W
3237	4822 051 30103	10k 5% 0,062W		3340	4822 051 30339	33R 5% 0,062W
3239	4822 051 30103	10k 5% 0,062W		3343	4822 117 12925	47k 1% 0,063W
3240	4822 051 30471	470R 5% 0,062W		3344	4822 117 13632	100k 1% 0,062W
3242	4822 117 12925	47k 1% 0,063W		3345	4822 117 12925	47k 1% 0,063W
3243	4822 051 30471	470R 5% 0,062W		3346	4822 117 13632	100k 1% 0,062W
3244	4822 051 30339	33R 5% 0,062W		3347	4822 051 30102	1k 5% 0,062W
3245	4822 051 30339	33R 5% 0,062W		3348	4822 051 30102	1k 5% 0,062W
3246	4822 051 30101	100R 5% 0,062W		3349	4822 117 12925	47k 1% 0,063W
3247	4822 051 30101	100R 5% 0,062W		3350	4822 117 13632	100k 1% 0,062W
3248	4822 051 30101	100R 5% 0,062W		3351	4822 051 30102	1k 5% 0,062W
3250	4822 051 30151	150R 5% 0,062W		3352	4822 051 30102	1k 5% 0,062W
3251	4822 051 30102	1k 5% 0,062W		3353	4822 051 30222	2k2 5% 0,062W
3252	4822 051 30562	5k6 5% 0,063W		3354	4822 117 12891	220k 1% 0,062W
3253	4822 051 30472	4k7 5% 0,062W		3360	4822 051 30222	2k2 5% 0,062W
3254	4822 051 30562	5k6 5% 0,063W		3361	4822 051 30222	2k2 5% 0,062W
3255	4822 051 30472	4k7 5% 0,062W		3362	4822 117 13632	100k 1% 0,062W
3256	4822 051 30102	1k 5% 0,062W		3363	4822 051 30101	100R 5% 0,062W
3257	4822 051 30103	10k 5% 0,062W		3364	4822 051 30222	2k2 5% 0,062W
3258	4822 051 30103	10k 5% 0,062W		3365	4822 117 13632	100k 1% 0,062W
3260	4822 051 30472	4k7 5% 0,062W	not for /22/25	3366	4822 051 30101	100R 5% 0,062W
3261	4822 051 30008	OR Jumper 0603		3370	4822 051 30101	100R 5% 0,062W
3262	4822 051 30474	470k 5% 0,062W		3371	4822 051 30101	100R 5% 0,062W
3263	4822 051 30332	3k3 5% 0,062W		3372	4822 051 30102	1k 5% 0,062W
3264	4822 051 30183	18k 5% 0,062W		3373	4822 051 30271	270R 5% 0,062W
3265	4822 051 30333	33k 5% 0,062W		3374	4822 051 30102	1k 5% 0,062W
3266	4822 051 30471	470R 5% 0,062W		3375	4822 051 30102	1k 5% 0,062W
3267	4822 051 30472	4k7 5% 0,062W		3377	4822 051 30102	1k 5% 0,062W
3268	4822 117 12925	47k 1% 0,063W		3378	4822 051 30102	1k 5% 0,062W
3269	4822 117 13632	100k 1% 0,062W		3412	4822 051 30008	OR Jumper 0603
3270	4822 051 30151	150R 5% 0,062W		3510	4822 051 30339	33R 5% 0,062W
3271	4822 051 30472	4k7 5% 0,062W	/22/25	3511	4822 051 30151	150R 5% 0,062W
3272	4822 051 30223	22k 5% 0,062W		3512	4822 051 30151	150R 5% 0,062W
3273	4822 051 30472	4k7 5% 0,062W		3514	4822 051 30151	150R 5% 0,062W
3274	4822 051 30102	1k 5% 0,062W		3515	4822 051 30151	150R 5% 0,062W
3310	4822 051 30222	2k2 5% 0,062W		3517	4822 051 30151	150R 5% 0,062W
3311	4822 051 30222	2k2 5% 0,062W		3518	4822 051 30151	150R 5% 0,062W
3312	4822 051 30101	100R 5% 0,062W		3520	4822 051 30151	150R 5% 0,062W
3313	4822 117 13632	100k 1% 0,062W		3521	4822 051 30151	150R 5% 0,062W
3314	4822 051 30222	2k2 5% 0,062W		3523	4822 051 30151	150R 5% 0,062W

ELECTRICAL PARTS LIST - MONO AV BOARD

3524	4822 051 30151	150R 5% 0,062W		3655	4822 051 30183	18k 5% 0,062W
3526	4822 051 30151	150R 5% 0,062W		3656	4822 051 30102	1k 5% 0,062W
3527	4822 051 30151	150R 5% 0,062W		3657	4822 051 30102	1k 5% 0,062W
3529	4822 051 30008	OR Jumper 0603		3658	4822 117 13608	4,7R 5% 0,062W
3530	4822 051 30103	10k 5% 0,062W		3659	4822 117 12902	8k2 1% 0,063W
3531	4822 117 12925	47k 1% 0,063W		3660	4822 051 30561	560R 5% 0,062W
3532	4822 117 12925	47k 1% 0,063W		3661	2322 704 67504	750k 1% 0,062W
3533	4822 051 30103	10k 5% 0,062W		3662	4822 051 30203	20k 5% 0,062W
3540	4822 051 30103	10k 5% 0,062W		3663	4822 051 30183	18k 5% 0,062W
3542	4822 051 30103	10k 5% 0,062W		3664	4822 051 30008	OR Jumper 0603
3543	4822 051 30103	10k 5% 0,062W		3665	4822 051 30103	10k 5% 0,062W
3590	5322 117 13055	75R 1% 0,063W	/22/25	3666	4822 051 30102	1k 5% 0,062W
3591	4822 051 30474	470k 5% 0,062W	/22/25	3667	4822 051 30153	15k 5% 0,062W
3592	4822 051 30123	12k 5% 0,063W	/22/25	3669	4822 117 13608	4,7R 5% 0,062W
3593	4822 051 30223	22k 5% 0,062W	/22/25	3671	4822 117 13608	4,7R 5% 0,062W
3594	4822 051 30569	56R 5% 0,062W	/22/25	3672	4822 051 30339	33R 5% 0,062W
3602	4822 051 30332	3k3 5% 0,062W	/22/25	3673	4822 051 30339	33R 5% 0,062W
3603	4822 051 30102	1k 5% 0,062W	/22/25	3674	4822 051 30339	33R 5% 0,062W
3604	4822 117 13632	100k 1% 0,062W	/22/25	3675	4822 051 30339	33R 5% 0,062W
3605	4822 051 30223	22k 5% 0,062W	/22/25	3676	4822 117 13576	Res Network 4x33R 5%
3607	4822 117 12891	220k 1% 0,062W	/22/25	3680	4822 051 30103	10k 5% 0,062W
3609	4822 051 30008	OR Jumper 0603	/22/25	3709	4822 051 30103	10k 5% 0,062W
3611	4822 051 30103	10k 5% 0,062W		3710	4822 051 30472	4k7 5% 0,062W
3613	4822 051 30008	OR Jumper 0603		3711	4822 051 30472	4k7 5% 0,062W
3615	4822 051 30008	OR Jumper 0603		3712	4822 051 30471	470R 5% 0,062W
3616	4822 051 30103	10k 5% 0,062W		3713	4822 051 30471	470R 5% 0,062W
3617	4822 051 30103	10k 5% 0,062W		3715	4822 051 30472	4k7 5% 0,062W
3619	4822 051 30008	OR Jumper 0603		3716	4822 051 30471	470R 5% 0,062W
3620	4822 051 30103	10k 5% 0,062W		3717	4822 051 30472	4k7 5% 0,062W
3621	4822 051 30103	10k 5% 0,062W		3719	4822 051 30472	4k7 5% 0,062W
3629	4822 051 30109	10R 5% 0,062W		3720	4822 051 30472	4k7 5% 0,062W
3630	4822 051 30109	10R 5% 0,062W		3721	4822 051 30339	33R 5% 0,062W
3631	4822 051 20108	1R 5% 0,1W		3722	4822 051 30471	470R 5% 0,062W
3632	4822 051 20108	1R 5% 0,1W		3723	4822 051 30339	33R 5% 0,062W
3633	4822 051 20108	1R 5% 0,1W		3724	4822 051 30339	33R 5% 0,062W
3634	4822 051 20108	1R 5% 0,1W		3725	4822 051 30471	470R 5% 0,062W
3635	4822 051 30103	10k 5% 0,062W		3727	4822 051 30472	4k7 5% 0,062W
3636	4822 051 30203	20k 5% 0,062W		3728	4822 051 30471	470R 5% 0,062W
3637	4822 051 30153	15k 5% 0,062W		3729	4822 051 30472	4k7 5% 0,062W
3638	4822 051 30203	20k 5% 0,062W		3732	4822 051 30103	10k 5% 0,062W
3639	4822 051 30203	20k 5% 0,062W		3733	4822 117 13632	100k 1% 0,062W
3640	2322 704 67504	750k 1% 0,062W		3734	4822 051 30103	10k 5% 0,062W
3642	2322 704 67504	750k 1% 0,062W		3735	4822 051 30103	10k 5% 0,062W
3643	4822 051 30334	330k 5% 0,062W		3736	4822 117 13632	100k 1% 0,062W
3644	4822 051 30334	330k 5% 0,062W		3737	4822 051 30103	10k 5% 0,062W
3645	4822 117 12917	1R 5% 0,062W		3739	4822 051 30103	10k 5% 0,062W
3646	4822 051 30103	10k 5% 0,062W		3740	4822 051 30102	1k 5% 0,062W
3647	4822 051 30103	10k 5% 0,062W		3742	4822 117 13632	100k 1% 0,062W
3648	4822 117 13632	100k 1% 0,062W		3743	4822 117 13632	100k 1% 0,062W
3650	4822 051 30008	OR Jumper 0603		3790	4822 051 30008	OR Jumper 0603
3651	4822 117 13632	100k 1% 0,062W		3791	4822 051 30008	OR Jumper 0603
3652	4822 051 30339	33R 5% 0,062W		3792	4822 051 30008	OR Jumper 0603

not for /22/25

ELECTRICAL PARTS LIST - MONO AV BOARD

RESISTORS

3793	4822 051 30008	0R Jumper 0603	not for /22/25
3794	4822 051 30008	0R Jumper 0603	not for /22/25
3795	4822 051 30472	4k7 5% 0,062W	/22/25
3796	4822 051 30472	4k7 5% 0,062W	/22/25
3797	4822 051 30102	1k 5% 0,062W	/22/25
3798	4822 051 30102	1k 5% 0,062W	/22/25
3801	4822 051 30008	0R Jumper 0603	
3802	4822 051 30008	0R Jumper 0603	
3803	4822 051 30008	0R Jumper 0603	
3808	4822 051 30339	33R 5% 0,062W	
3813	4822 051 30102	1k 5% 0,062W	/22/25
3814	4822 051 30103	10k 5% 0,062W	/22/25
3817	4822 051 30103	10k 5% 0,062W	/22/25
3818	4822 051 30103	10k 5% 0,062W	/22/25
3819	4822 051 30471	470R 5% 0,062W	/22/25
3820	4822 051 30471	470R 5% 0,062W	/22/25
3825	4822 051 30221	220R 5% 0,062W	/22/25
4107	4822 051 30008	0R Jumper 0603	
4108	4822 051 30008	0R Jumper 0603	
4110	4822 051 30008	0R Jumper 0603	
4111	4822 051 30008	0R Jumper 0603	
4112	4822 051 30008	0R Jumper 0603	
4114	4822 051 30008	0R Jumper 0603	
4117	4822 051 30008	0R Jumper 0603	
4118	4822 051 30008	0R Jumper 0603	
4201	4822 051 30008	0R Jumper 0603	
4202	4822 051 30008	0R Jumper 0603	
4220	4822 051 30008	0R Jumper 0603	
4230	4822 051 30008	0R Jumper 0603	
4310	4822 051 30008	0R Jumper 0603	
4316	4822 051 30008	0R Jumper 0603	
4551	4822 051 30339	33R 5% 0,062W	
4552	4822 051 30339	33R 5% 0,062W	
4555	4822 051 30339	33R 5% 0,062W	
4556	4822 051 30339	33R 5% 0,062W	
4557	4822 051 30339	33R 5% 0,062W	
4558	4822 051 30339	33R 5% 0,062W	
4562	4822 051 30339	33R 5% 0,062W	
4563	4822 051 30339	33R 5% 0,062W	
4564	4822 051 30339	33R 5% 0,062W	
4565	4822 051 30339	33R 5% 0,062W	
4566	4822 051 30339	33R 5% 0,062W	
4567	4822 051 30339	33R 5% 0,062W	
4568	4822 051 30339	33R 5% 0,062W	
4569	4822 051 30339	33R 5% 0,062W	
4570	4822 051 30339	33R 5% 0,062W	
4572	4822 051 30339	33R 5% 0,062W	
4573	4822 051 30339	33R 5% 0,062W	/22/25
4574	4822 051 30339	33R 5% 0,062W	/22/25
4576	4822 051 30008	0R Jumper 0603	
4577	4822 051 30008	0R Jumper 0603	
4578	4822 051 30339	33R 5% 0,062W	

COILS & FILTERS

5100	3198 018 63390	Coil 33uH 5% 1008	
5101	3198 018 63390	Coil 33uH 5% 1008	
5110	4822 157 71206	Fixed Ind 600R 100MHz 0805	
5111	4822 157 71206	Fixed Ind 600R 100MHz 0805	
5210	2422 549 44607	Fixed Ind 600R 100MHz 0603	
5211	4822 157 71206	Fixed Ind 600R 100MHz 0805	
5213	2422 549 44607	Fixed Ind 600R 100MHz 0603	
5214	2422 549 44607	Fixed Ind 600R 100MHz 0603	
5215	2422 549 44607	Fixed Ind 600R 100MHz 0603	
5216	2422 549 44607	Fixed Ind 600R 100MHz 0603	
5217	3198 018 52280	Coil 2,2uH 10% 0603	
5218	3198 018 52280	Coil 2,2uH 10% 0603	
5410	4822 157 11414	Coil 1,8uH 5% 1210	
5602	4822 157 11499	Fixed Ind 60R 100MHz 0603	
5603	2422 549 45186	Fixed Ind 60R 100MHz 0805	
5604	2422 549 45186	Fixed Ind 60R 100MHz 0805	
5605	4822 051 30008	0R Jumper 0603	
5606	4822 051 30008	0R Jumper 0603	
5607	4822 157 11414	Coil 1,8uH 5% 1210	
5608	2422 549 45186	Fixed Ind 60R 100MHz 0805	
5609	4822 157 11414	Coil 1,8uH 5% 1210	
5610	2422 549 45186	Fixed Ind 60R 100MHz 0805	
5613	4822 157 11499	Fixed Ind 60R 100MHz 0603	
5614	4822 157 11499	Fixed Ind 60R 100MHz 0603	
5615	4822 157 11414	Coil 1,8uH 5% 1210	
5616	4822 157 11414	Coil 1,8uH 5% 1210	
5617	4822 157 11414	Coil 1,8uH 5% 1210	
5620	4822 157 11414	Coil 1,8uH 5% 1210	
5621	4822 157 11414	Coil 1,8uH 5% 1210	
5623	4822 051 30471	470R 5% 0,062W	
5624	4822 051 30471	470R 5% 0,062W	
5625	4822 157 11499	Fixed Ind 60R 100MHz 0603	
5626	4822 157 11499	Fixed Ind 60R 100MHz 0603	
5627	4822 157 11499	Fixed Ind 60R 100MHz 0603	
5701	2422 543 01393	X'tal Resonator 27MHz	

DIODES

6250	4822 130 11551	BZX384-C10	
6251	4822 130 11564	BZX384-C3V9	
6291	4822 130 11522	PDZ15B	not for /22/25
6292	4822 130 11522	PDZ15B	not for /22/25
6293	4822 130 11522	PDZ15B	not for /22/25
6310	4822 130 11397	BAS316	
6351	4822 130 11522	PDZ15B	not for /22/25
6410	4822 130 11522	BZX384-C15	
6601	4822 130 11397	BAS316	/22/25
6602	4822 130 11397	BAS316	/22/25
6603	4822 130 11397	BAS316	/22/25
6604	9322 128 69685	S1D	
6605	4822 130 11397	BAS316	
6606	4822 130 11522	BZX384-C15	/22/25
6607	4822 130 11522	BZX384-C15	/22/25

ELECTRICAL PARTS LIST - MONO AV BOARD

6609	4822 130 11522	BZX384-C15	/22/25
6611	4822 130 11522	BZX384-C15	/22/25
6612	4822 130 11522	BZX384-C15	
6613	4822 130 11522	BZX384-C15	/22/25
6620	4822 130 11397	BAS316	/22/25
6621	4822 130 11397	BAS316	/22/25
6622	4822 130 11397	BAS316	/22/25
6623	4822 130 11397	BAS316	/22/25
6627	4822 130 11522	BZX384-C15	/22/25

TRANSISTORS & INTEGRATED CIRCUITS

7101	9965 000 12490	CS4360KZ	
7121	4822 209 30095	LM833D	
7141	4822 209 30095	LM833D	
7161	4822 209 30095	LM833D	
7201	5322 130 44647	BC368	
7202	5322 130 60159	BC847B	
7203	5322 130 60159	BC847B	
7204	4822 130 60373	BC857B	
7205	5322 130 60159	BC847B	
7220	4822 209 15765	74HC4052D	
7221	9322 190 52668	CS5333-KZ	
7310	5322 130 60159	BC847B	
7311	5322 130 60159	BC847B	
7312	5322 130 60159	BC847B	
7313	5322 130 60159	BC847B	
7314	5322 130 60159	BC847B	
7315	5322 130 60159	BC847B	
7316	5322 130 60159	BC847B	
7317	5322 130 60159	BC847B	
7318	4822 130 60373	BC857B	
7319	4822 130 60373	BC857B	
7322	4822 130 60373	BC857B	
7500	4822 209 17398	LD1117DT33	
7501	9322 165 15685	NCP303LSN30	
7502	5322 130 60159	BC847B	
7590	4822 130 60373	BC857B	/22/25
7591	5322 130 60159	BC847B	/22/25
7601	4822 209 17398	LD1117DT33	
7602	3141 018 51841	MT1336E	
7603	9322 187 63668	BA5954FP	
7604	3141 018 51660	BA6208F	
7605	5322 209 11517	PC74HCU04T	
7606	3141 018 51831	MT1379BE	
7609	9322 166 67668	MT48LC4M16A2TG-7E	
7610	4822 209 17226	M24C08-WMN6	
7611	9965 000 20304	M29W160ET70N6 with SW program	
7613	4822 209 30095	LM833D	
7614	4822 209 33411	MC78L05ACD	
7615	9322 177 09685	AK4382AVT	
7616	4822 130 60373	BC857B	/22/25
7617	4822 130 60373	BC857B	/22/25

Note: Only the parts mentioned in this list are normal service spare parts.

7618	4822 130 60373	BC857B	/22/25
7620	4822 130 11565	2SB1132	
7621	4822 130 11565	2SB1132	
7630	3141 018 51690	2SK3018	
7631	3141 018 51690	2SK3018	
7632	5322 130 60159	BC847B	
7637	5322 130 60159	BC847B	/22/25
7638	5322 130 60159	BC847B	/22/25
7653	5322 130 60159	BC847B	/22/25
7654	5322 130 60159	BC847B	/22/25

AMPLIFIER BOARD

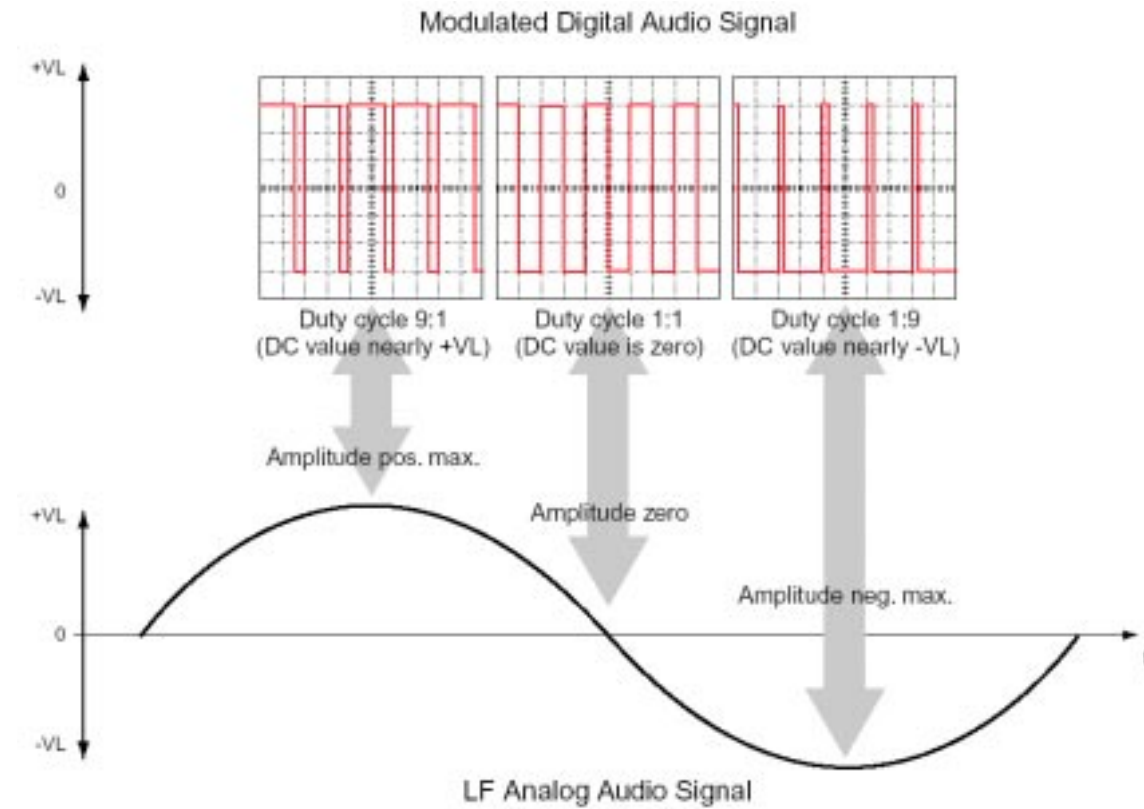
TABLE OF CONTENTS

Class-D Amplifier circuit description	8-1
Exploded view + mechanical parts	8-2
Amplifier circuit	8-3
Clock Generator & connector - circuit	8-4
Bottom view	8-5
Top view	8-6
Bottom view Part A	8-7
Bottom view Part B	8-8
Top view Part C	8-9
Top view Part D	8-10
Electrical parts list - Amplifier board	8-11

6-channel class-D amplifier

Basic operation of a class-D amplifier

Basically, the output stage of a class-D amplifier outputs a continuous square wave swinging between positive and negative power supplies with a fixed frequency ("clock" frequency) far beyond the audible range. The duty cycle of this square wave is modulated with the audio signal. The output is followed by a low-pass filter which eliminates the clock frequency and allows only the audio signal going to the speaker. See simplified drawing below.



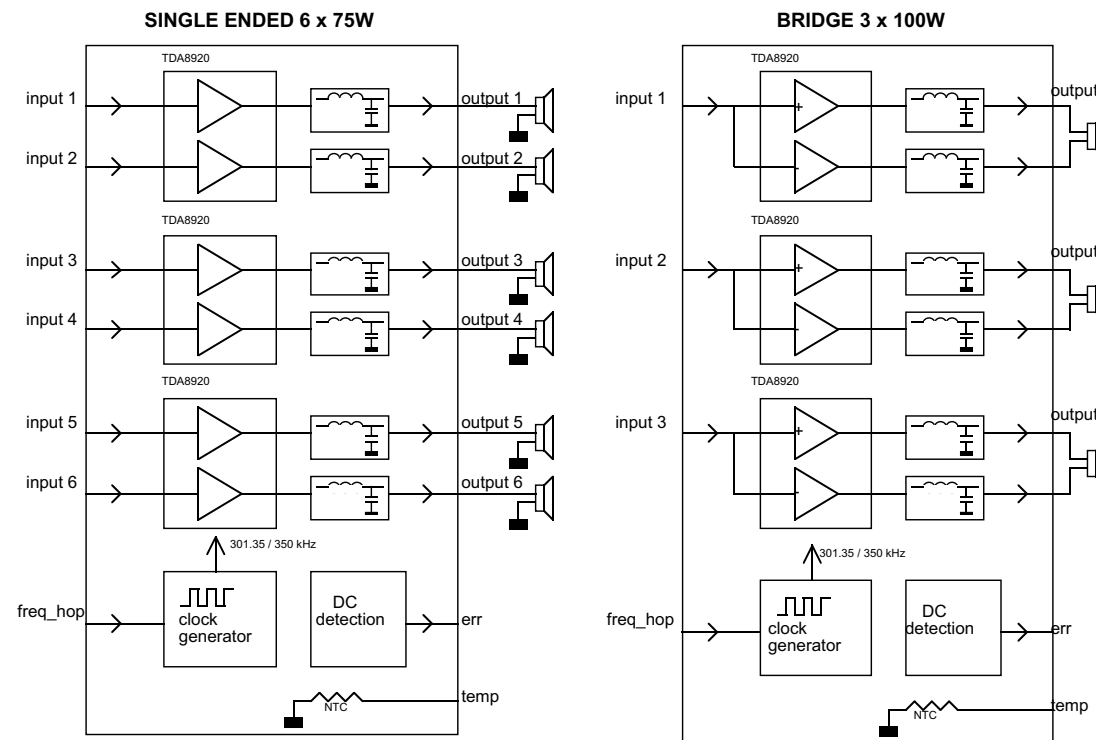
Compared to a conventional power amplifier the benefits of the Class-D amplifier are:

- higher efficiency
- lower power dissipation
- smaller heatsink required
- smaller mains transformer required

The main disadvantage of this concept is:

- The amplifier is operating with a high-frequency square wave at high amplitude and currents. This requires special precautions to prevent excessive electromagnetic radiation (EMC).

Block diagram and operation



• clock oscillator

The clock frequency is generated around IC7600. Using 2 extra transistors (7602 and 7608) and 2 ceramic resonators it can be operated at 2 frequencies: 602.7kHz and 700kHz. The frequency is selected by the signal "FREQ_HOP" coming from connector 1301 pin 9.

When FREQ_HOP is low, the output of 7600-1 will be high. This switches transistor 7602 on, and connects resonator 1600 (602.7kHz) to inverter 7600-3. Similarly, when FREQ_HOP is high, resonator 1601 is connected to 7600-3.

The output frequency is divided by two by IC7607, resulting in 301.35kHz or 350kHz.

The purpose of a selectable clock frequency is related to the disturbance of the tuner which is built-in together with this amplifier. In MW, the software of the set microprocessor will select the other clock frequency in case the amplifier clock interferes with the tuned station.

• Class-D amplifier TDA8920 and low-pass filter

The TDA8920 is a two channel audio power amplifier using class-D technology. The audio input signal is converted into a digital Pulse Width Modulated (PWM) signal via an analog input stage and PWM modulator. It is then fed to the power stage which outputs a high power PWM signal which switches between the main supply lines.

The TDA8920 is followed by a 2nd-order low-pass filter. It has a cut-off frequency around 50kHz and converts the PWM signal into analog audio signal across the loudspeaker.

The TDA8920 has a temperature protection and a current limiter built-in.

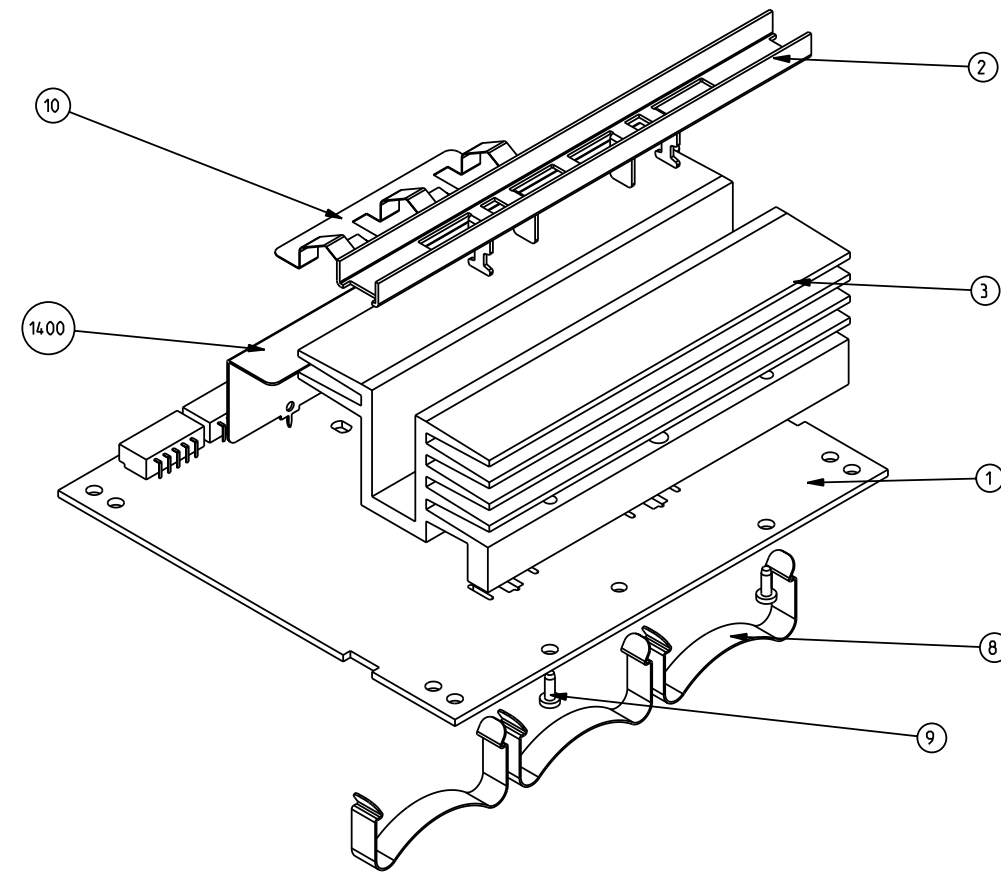
Furthermore, the IC can be put in active, mute and standby mode.

- Active mode (amplifier fully operational) with output signal.
- Mute mode; the amplifiers are operational, but the audio is muted
- Standby mode; with a very low supply current, the output stage is switched off.

• DC-detection

The DC-detection circuit monitors all 6 outputs for DC. Whenever one or more outputs contain DC for more than 1 second, the circuit will be activated. A positive voltage will activate transistor 7710 and pin 10 of connector 1301 will be pulled down. In case of a negative voltage, transistor 7716 will be activated, which in turn activates 7710. The set microprocessor will take further action.

MECHANICAL EXPLODED VIEW



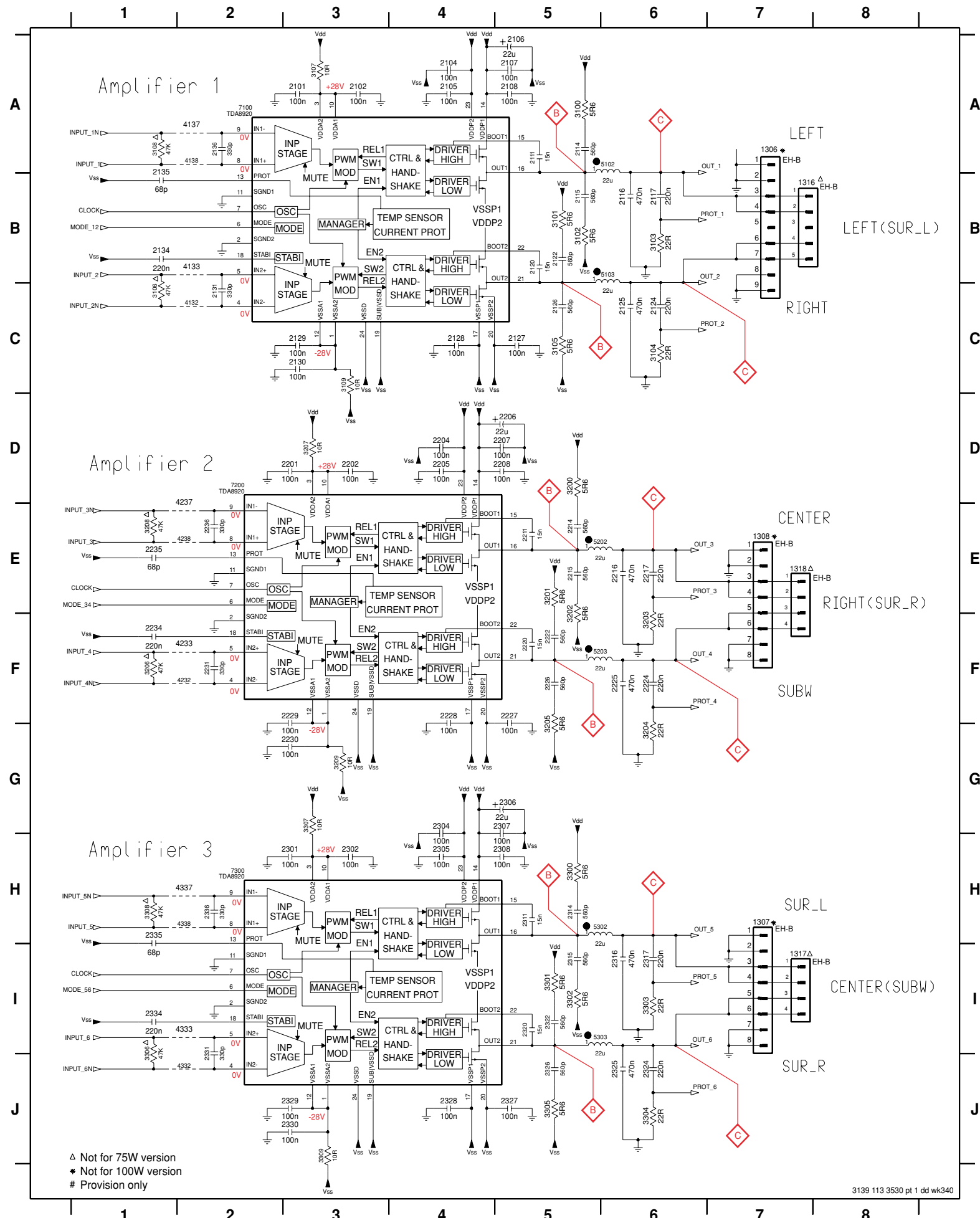
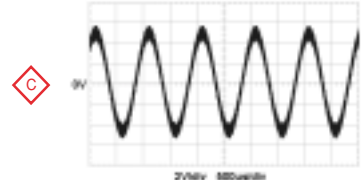
3104 217 07180 bl110

MECHANICAL PARTS LIST & SCREWS

Part No.	Part Description	Part Name
8	3104 211 29861	SPRING 6 CHANNEL
9	-	D2.3 x 8
10	3104 211 29881	EARTH SPRING

Note: Only the parts mentioned in this list are normal service spare parts.

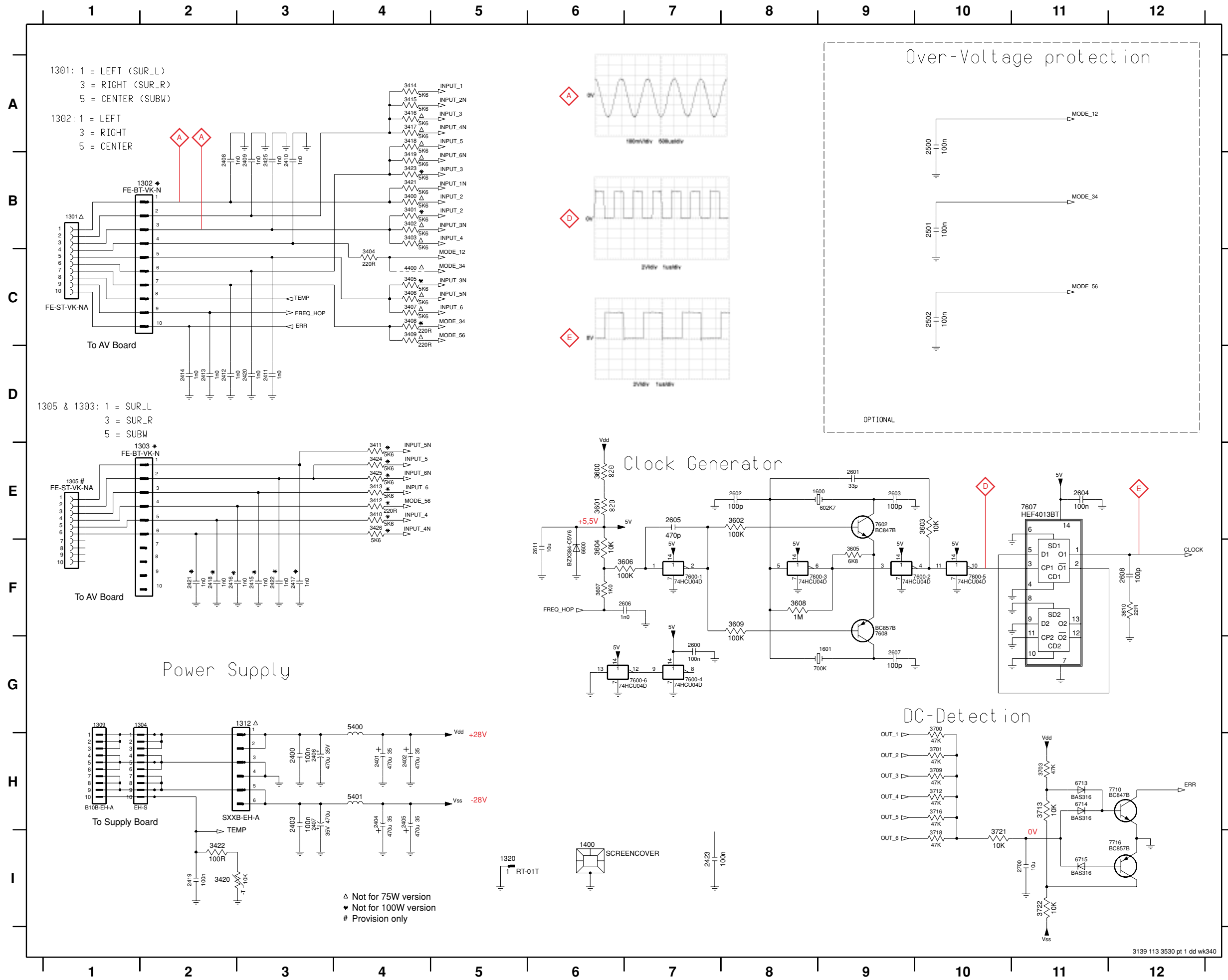
AMPLIFIER CIRCUIT



1306 A7	5203 F5
1307 H7	5302 H5
1308 E7	5303 I5
1316 B7	7100 A2
1317 I7	7200 D2
1318 E7	7300 H2
2101 A3	
2102 A3	
2104 A4	
2105 A4	
2106 A5	
2107 A5	
2108 A5	
2111 A5	
2114 A5	
2115 B5	
2116 B6	
2117 B6	
2120 B5	
2122 B5	
2124 C6	
2125 C6	
2126 C5	
2127 C5	
2128 C4	
2129 C3	
2130 C3	
2131 C2	
2134 B1	
2135 B1	
2136 A2	
2201 D3	
2202 D3	
2204 D4	
2205 D4	
2206 D5	
2207 D5	
2208 D5	
2211 E5	
2214 E5	
2215 E5	
2216 E6	
2217 E6	
2220 F5	
2222 F5	
2224 F6	
2225 F6	
2226 F5	
2227 F5	
2228 F4	
2229 F3	
2230 G3	
2231 F2	
2234 F1	
2235 E1	
2236 E2	
2301 H3	
2302 H3	
2304 G4	
2305 H4	
2306 G5	
2307 G5	
2308 H5	
2311 H5	
2314 H5	
2315 I5	
2316 I6	
2317 I6	
2320 I5	
2322 I5	
2324 J6	
2325 J6	
2326 J5	
2327 J5	
2328 J4	
2329 J3	
2330 J3	
2331 I2	
2334 I1	
2335 H1	
2336 H2	
3100 A5	
3101 B5	
3102 B5	
3103 B6	
3104 C6	
3105 C5	
3106 C1	
3107 A3	
3108 A1	
3109 C3	
3200 D5	
3201 E5	
3202 F5	
3203 F6	
3204 G6	
3205 G5	
3206 F1	
3207 D3	
3209 G3	
3300 H5	
3301 I5	
3302 I5	
3303 I6	
3304 J6	
3305 J5	
3306 I1	
3307 G3	
3308 H1	
3309 J3	
4132 C2	
4133 B2	
4137 A2	
4138 A2	
4232 F2	
4233 F2	
4236 E2	
4332 J2	
4333 I2	
4337 H2	
4338 H2	
5102 A6	
5103 B6	
5202 E5	

Δ Not for 75W version
 * Not for 100W version
 # Provision only

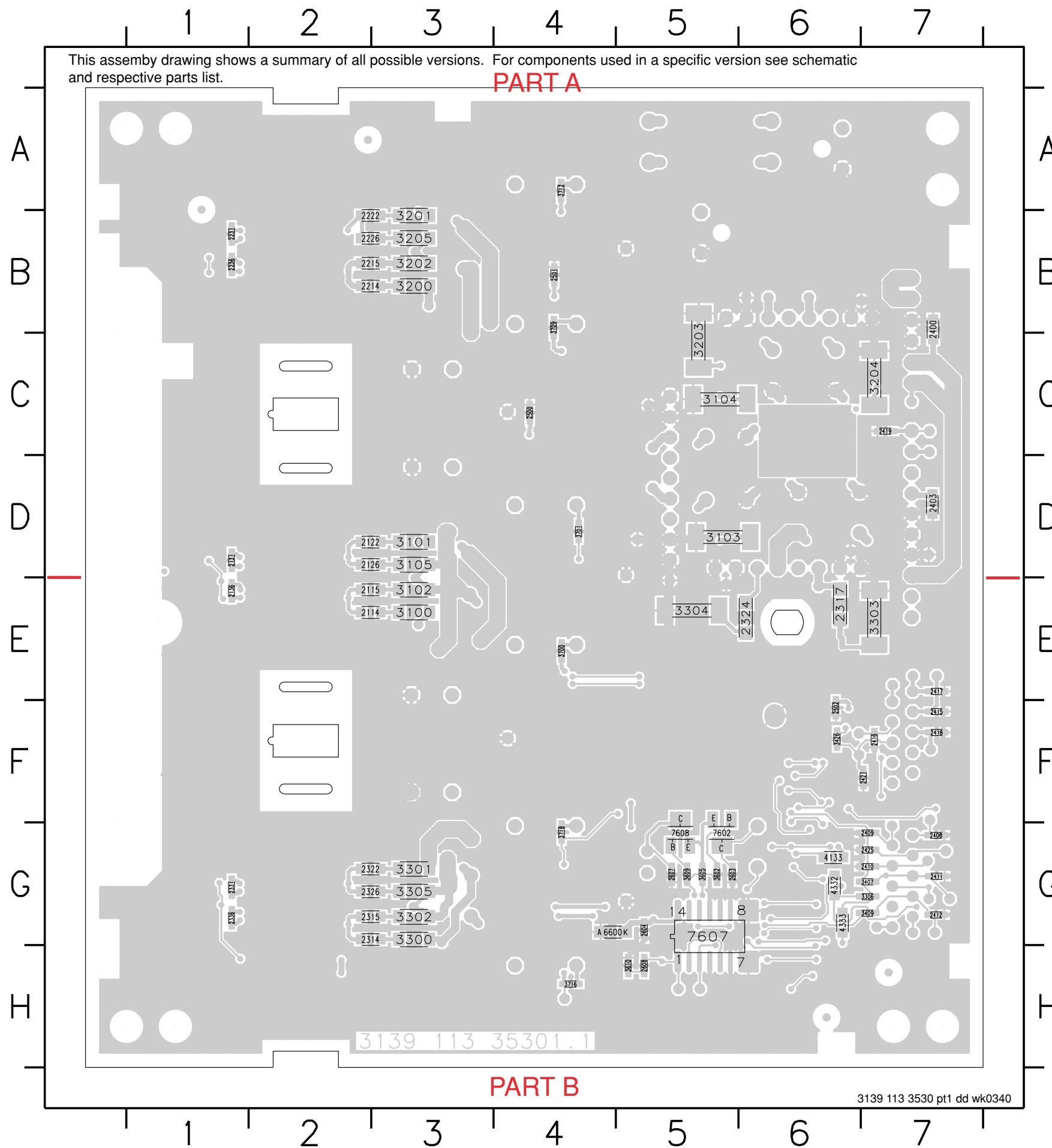
CLOCK GENERATOR & CONNECTOR CIRCUIT



- 1301 B1
- 1302 B2
- 1303 E2
- 1304 G2
- 1305 E1
- 1309 G1
- 1312 G3
- 1320 I5
- 1400 I6
- 1600 E9
- 1601 G9
- 2400 H3
- 2401 H4
- 2402 H4
- 2403 H3
- 2404 H4
- 2405 H4
- 2406 H3
- 2407 H3
- 2408 B2
- 2409 B3
- 2410 B3
- 2411 D3
- 2412 D2
- 2413 D2
- 2414 D2
- 2415 F3
- 2416 F2
- 2417 F3
- 2418 F2
- 2419 I2
- 2420 D3
- 2421 F2
- 2422 F3
- 2423 I7
- 2425 B3
- 2500 A10
- 2501 B10
- 2502 C10
- 2600 G7
- 2601 E9
- 2602 E8
- 2603 E9
- 2604 E11
- 2605 E7
- 2606 F7
- 2607 G9
- 2608 F12
- 2611 F6
- 2700 I11
- 3400 B4
- 3401 B4
- 3402 B4
- 3403 B4
- 3404 C4
- 3405 C4
- 3406 C4
- 3407 C4
- 3408 C4
- 3409 C4
- 3410 E4
- 3411 E4
- 3412 E4
- 3413 E4
- 3414 A4
- 3415 A4
- 3416 A4
- 3417 A4
- 3418 A4
- 3419 B4
- 3420 I2
- 3421 B4
- 3422 I2
- 3423 B4
- 3424 E4
- 3425 E4
- 3426 E4
- 3600 E6
- 3601 E6
- 3602 E9
- 3603 E9
- 3604 F6
- 3605 F9
- 3606 F7
- 3607 F6
- 3608 F8
- 3609 F8
- 3610 F12
- 3700 G10
- 3701 H10
- 3703 H11
- 3709 H10
- 3712 H10
- 3713 H11
- 3716 H10
- 3718 I10
- 3721 I10
- 3722 I11
- 4400 C4
- 5400 G4
- 5401 H4
- 6600 F6
- 6713 H11
- 6714 H11
- 6715 I11
- 7600-1 F7
- 7600-2 F10
- 7600-3 F9
- 7600-4 G7
- 7600-5 F10
- 7600-6 G7
- 7602 E9
- 7607 E11
- 7608 F9
- 7710 H12

7716 I12

BOTTOM VIEW LAYOUT

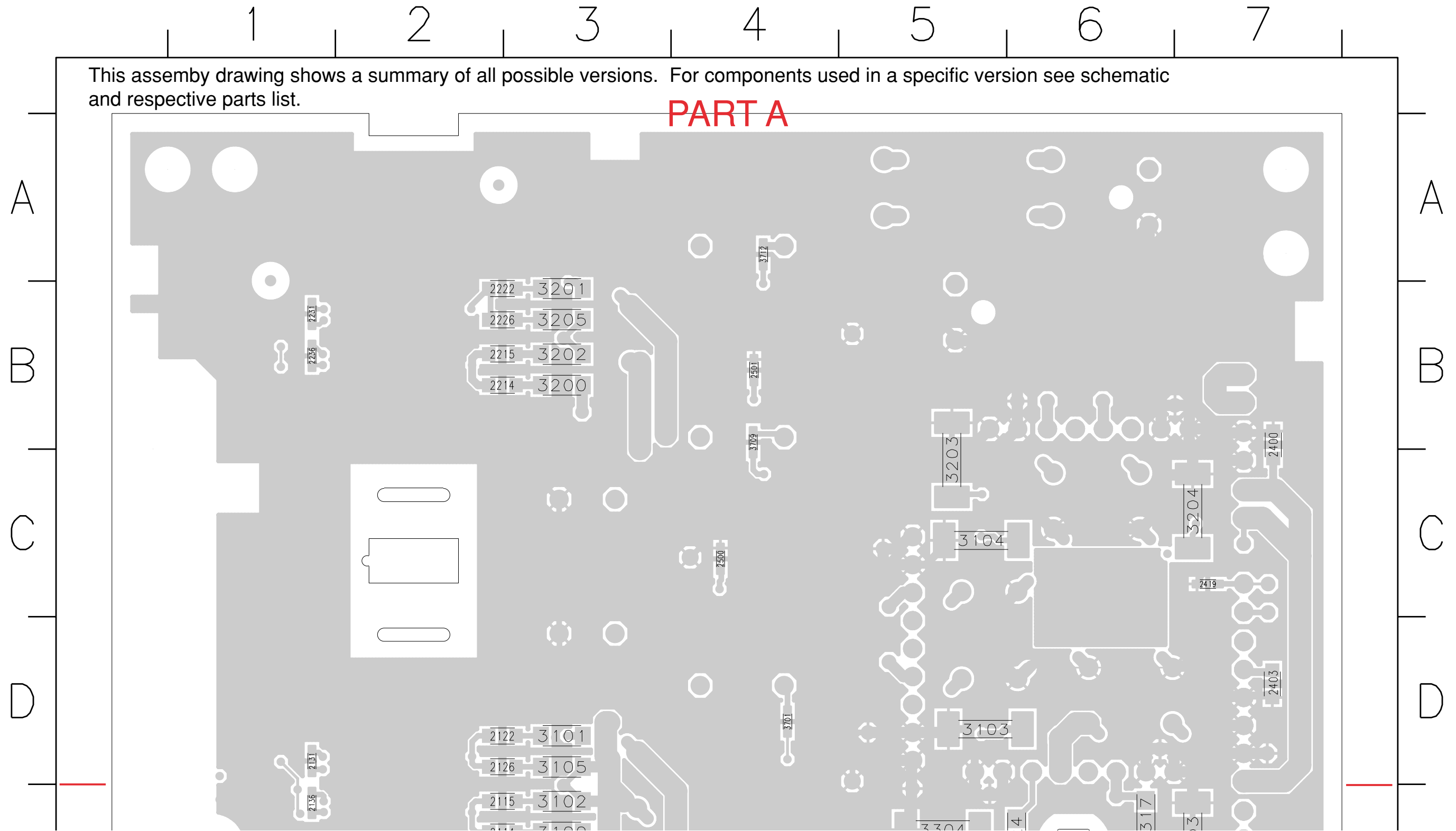


2222	3201	2226	3205	2215	3202	2214	3200	2326	2311	2300	3104	3203	3204	2400	2403	2119	2122	3101	2126	3105	2115	3102	2114	3100	3304	2324	2317	3303	2326	2311	2300	2301	2302	2303	2304	2305	2306	2307	2308	2309	2310	2311	2312	2313	2314	2315	2316	2317	2318	2319	2320	2321	2322	2323	2324	2325	2326	2327	2328	2329	2330	2331	2332	2333	2334	2335	2336	2337	2338	2339	2340	2341	2342	2343	2344	2345	2346	2347	2348	2349	2350	2351	2352	2353	2354	2355	2356	2357	2358	2359	2360	2361	2362	2363	2364	2365	2366	2367	2368	2369	2370	2371	2372	2373	2374	2375	2376	2377	2378	2379	2380	2381	2382	2383	2384	2385	2386	2387	2388	2389	2390	2391	2392	2393	2394	2395	2396	2397	2398	2399	2400	2401	2402	2403	2404	2405	2406	2407	2408	2409	2410	2411	2412	2413	2414	2415	2416	2417	2418	2419	2420	2421	2422	2423	2424	2425	2426	2427	2428	2429	2430	2431	2432	2433	2434	2435	2436	2437	2438	2439	2440	2441	2442	2443	2444	2445	2446	2447	2448	2449	2450	2451	2452	2453	2454	2455	2456	2457	2458	2459	2460	2461	2462	2463	2464	2465	2466	2467	2468	2469	2470	2471	2472	2473	2474	2475	2476	2477	2478	2479	2480	2481	2482	2483	2484	2485	2486	2487	2488	2489	2490	2491	2492	2493	2494	2495	2496	2497	2498	2499	2500
------	------	------	------	------	------	------	------	------	------	------	------	------	------	------	------	------	------	------	------	------	------	------	------	------	------	------	------	------	------	------	------	------	------	------	------	------	------	------	------	------	------	------	------	------	------	------	------	------	------	------	------	------	------	------	------	------	------	------	------	------	------	------	------	------	------	------	------	------	------	------	------	------	------	------	------	------	------	------	------	------	------	------	------	------	------	------	------	------	------	------	------	------	------	------	------	------	------	------	------	------	------	------	------	------	------	------	------	------	------	------	------	------	------	------	------	------	------	------	------	------	------	------	------	------	------	------	------	------	------	------	------	------	------	------	------	------	------	------	------	------	------	------	------	------	------	------	------	------	------	------	------	------	------	------	------	------	------	------	------	------	------	------	------	------	------	------	------	------	------	------	------	------	------	------	------	------	------	------	------	------	------	------	------	------	------	------	------	------	------	------	------	------	------	------	------	------	------	------	------	------	------	------	------	------	------	------	------	------	------	------	------	------	------	------	------	------	------	------	------	------	------	------	------	------	------	------	------	------	------	------	------

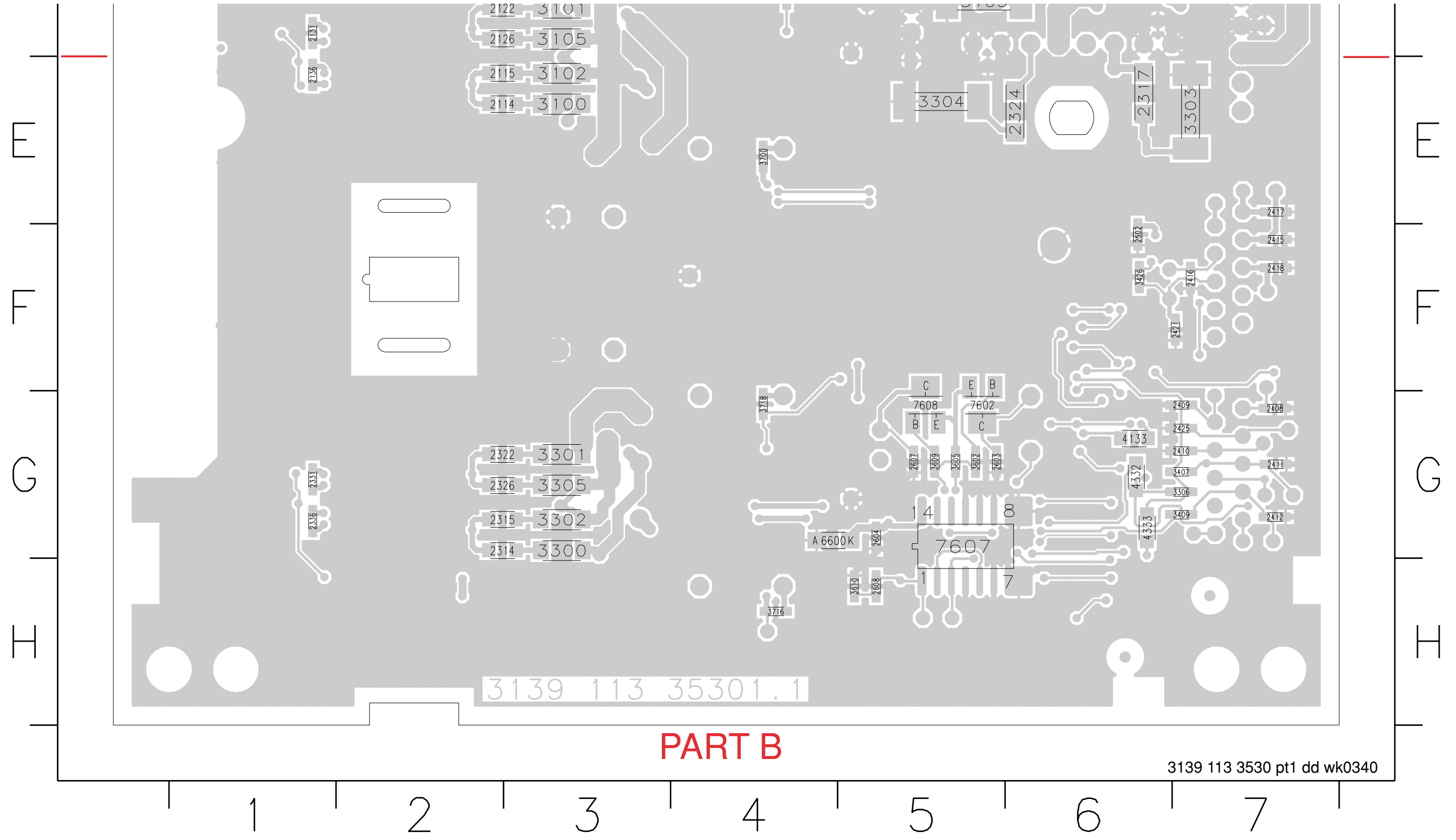
BOTTOM VIEW LAYOUT - PART A

This assembly drawing shows a summary of all possible versions. For components used in a specific version see schematic and respective parts list.

PART A



BOTTOM VIEW LAYOUT - PART B

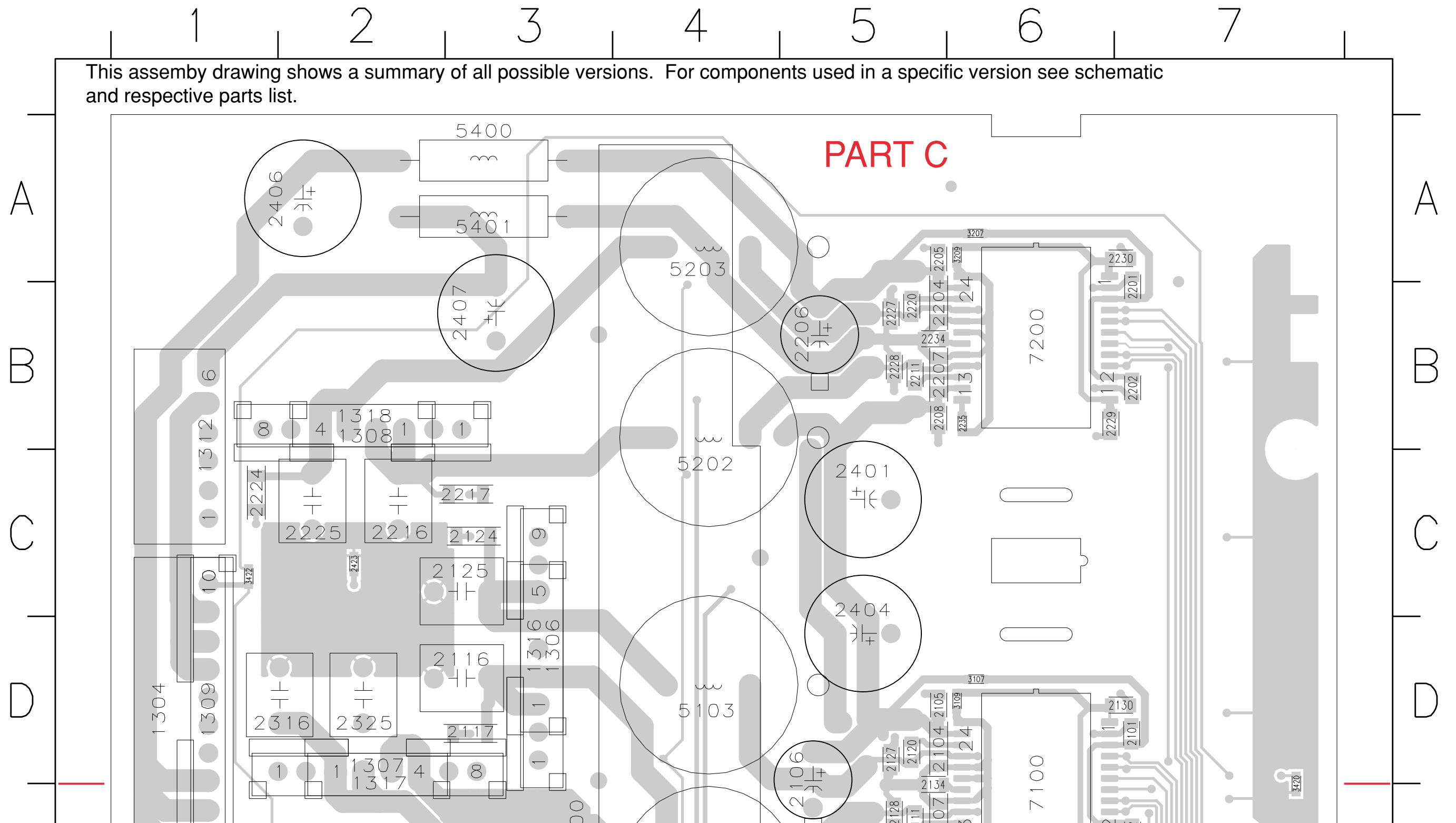


PART B

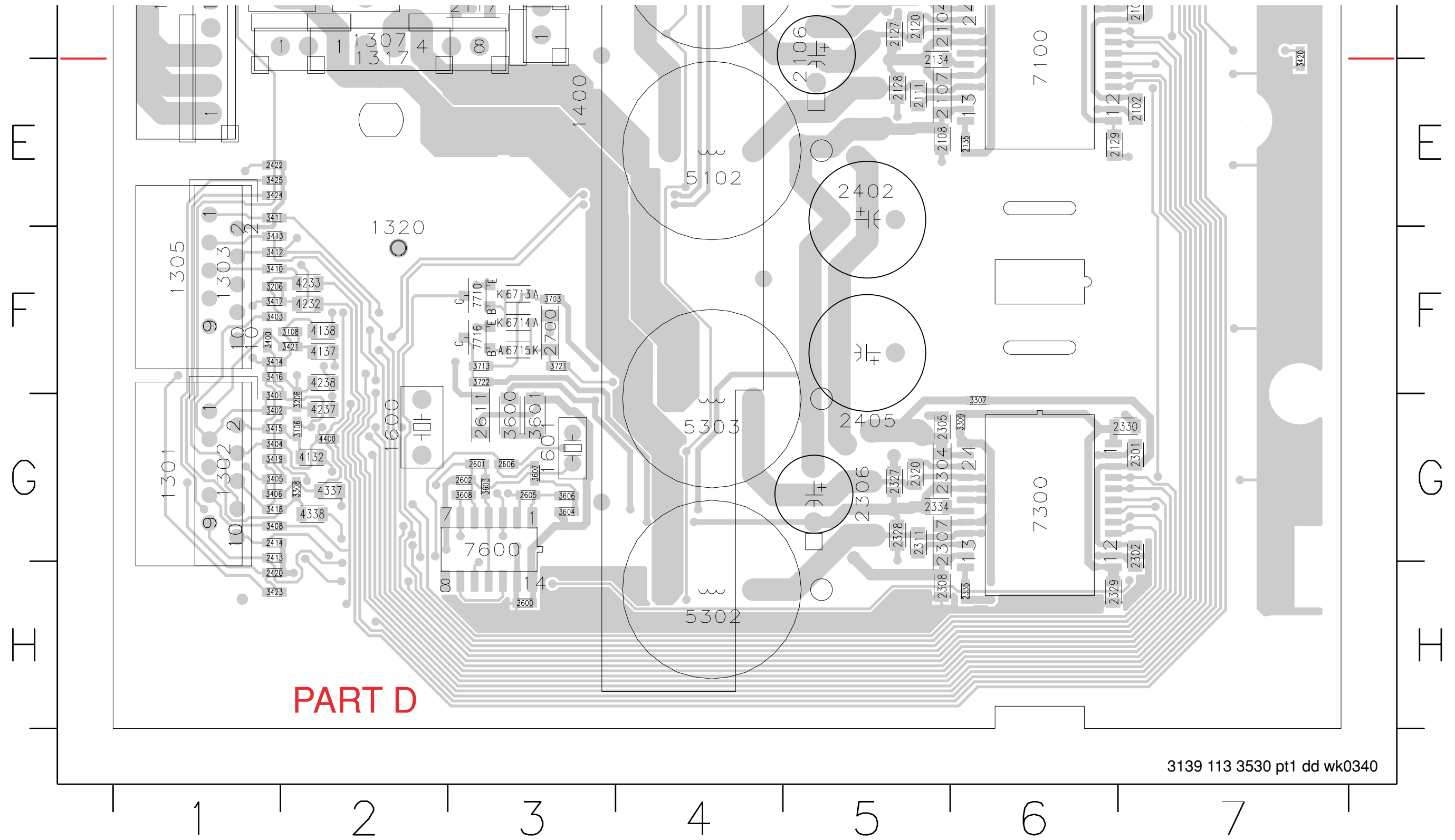
3139 113 3530 pt1 dd wk0340

TOP VIEW LAYOUT - PART C

This assembly drawing shows a summary of all possible versions. For components used in a specific version see schematic and respective parts list.



TOP VIEW LAYOUT - PART D



ELECTRICAL PARTS LIST - AMPLIFIER BOARD

MISCELLANEOUS

8	3104 211 29861	Spring 6-Channel
10	3104 211 29881	Earth Spring
1302	4822 267 10729	Flex Socket 10P Vert.
1303	4822 267 10729	Flex Socket 10P Vert.
1600	2422 540 98514	Ceram Resonator 602,7kHz
1601	2422 540 98568	Ceram Resonator 700kHz

CAPACITORS

2101	2222 580 15649	100nF 10% 50V	2229	2222 580 15649	100nF 10% 50V
2102	2222 580 15649	100nF 10% 50V	2230	2222 580 15649	100nF 10% 50V
2104	2222 601 55649	100nF 10% 100V	2231	4822 126 14241	330pF 50V
2105	2222 580 15649	100nF 10% 50V	2234	2238 780 55654	220nF 10% 16V
2106	2020 021 91431	22uF 20% 100V	2235	4822 126 13956	6,8pF 5% 63V
2107	2222 601 55649	100nF 10% 100V	2236	4822 126 14241	330pF 50V
2108	2222 580 15649	100nF 10% 50V	2301	2222 580 15649	100nF 10% 50V
2111	4822 126 13188	15nF 5% 63V	2302	2222 580 15649	100nF 10% 50V
2114	2238 600 15619	560pF 10% 100V	2304	2222 601 55649	100nF 10% 100V
2115	2238 600 15619	560pF 10% 100V	2305	2222 580 15649	100nF 10% 50V
2116	4822 121 51252	470nF 5% 63V	2306	2020 021 91431	22uF 20% 100V
2117	2222 601 55649	100nF 10% 100V	2307	2222 601 55649	100nF 10% 100V
2120	4822 126 13188	15nF 5% 63V	2308	2222 580 15649	100nF 10% 50V
2122	2238 600 15619	560pF 10% 100V	2311	4822 126 13188	15nF 5% 63V
2124	2222 601 55649	100nF 10% 100V	2314	2238 600 15619	560pF 10% 100V
2125	4822 121 51252	470nF 5% 63V	2315	2238 600 15619	560pF 10% 100V
2126	2238 600 15619	560pF 10% 100V	2316	4822 121 51252	470nF 5% 63V
2127	2222 580 15649	100nF 10% 50V	2317	2222 601 55649	100nF 10% 100V
2128	2222 580 15649	100nF 10% 50V	2320	4822 126 13188	15nF 5% 63V
2129	2222 580 15649	100nF 10% 50V	2322	2238 600 15619	560pF 10% 100V
2130	2222 580 15649	100nF 10% 50V	2324	2222 601 55649	100nF 10% 100V
2131	4822 126 14241	330pF 50V	2325	4822 121 51252	470nF 5% 63V
2134	2238 780 55654	220nF 10% 16V	2326	2238 600 15619	560pF 10% 100V
2135	4822 126 13956	6,8pF 5% 63V	2327	2222 580 15649	100nF 10% 50V
2136	4822 126 14241	330pF 50V	2328	2222 580 15649	100nF 10% 50V
2201	2222 580 15649	100nF 10% 50V	2329	2222 580 15649	100nF 10% 50V
2202	2222 580 15649	100nF 10% 50V	2330	2222 580 15649	100nF 10% 50V
2204	2222 601 55649	100nF 10% 100V	2331	4822 126 14241	330pF 50V
2205	2222 580 15649	100nF 10% 50V	2334	2238 780 55654	220nF 10% 16V
2206	2020 021 91431	22uF 20% 100V	2335	4822 126 13956	6,8pF 5% 63V
2207	2222 601 55649	100nF 10% 100V	2336	4822 126 14241	330pF 50V
2208	2222 580 15649	100nF 10% 50V	2400	2222 580 15649	100nF 10% 50V
2211	4822 126 13188	15nF 5% 63V	2401	4822 124 80062	470uF 20% 35V
2214	2238 600 15619	560pF 10% 100V	2402	4822 124 80062	470uF 20% 35V
2215	2238 600 15619	560pF 10% 100V	2403	2222 580 15649	100nF 10% 50V
2216	4822 121 51252	470nF 5% 63V	2404	4822 124 80062	470uF 20% 35V
2217	2222 601 55649	100nF 10% 100V	2405	4822 124 80062	470uF 20% 35V
2220	4822 126 13188	15nF 5% 63V	2406	4822 123 14026	470uF 20% 35V
2222	2238 600 15619	560pF 10% 100V	2407	4822 123 14026	470uF 20% 35V
2224	2222 601 55649	100nF 10% 100V	2408	5322 126 11578	1nF 10% 50V
2225	4822 121 51252	470nF 5% 63V	2409	5322 126 11578	1nF 10% 50V
2226	2238 600 15619	560pF 10% 100V	2410	5322 126 11578	1nF 10% 50V
2227	2222 580 15649	100nF 10% 50V	2411	5322 126 11578	1nF 10% 50V
2228	2222 580 15649	100nF 10% 50V	2412	5322 126 11578	1nF 10% 50V
			2413	5322 126 11578	1nF 10% 50V
			2414	5322 126 11578	1nF 10% 50V
			2415	5322 126 11578	1nF 10% 50V
			2416	5322 126 11578	1nF 10% 50V
			2417	5322 126 11578	1nF 10% 50V
			2418	5322 126 11578	1nF 10% 50V
			2419	2238 586 59812	100nF +80/-20% 50V
			2420	5322 126 11578	1nF 10% 50V

ELECTRICAL PARTS LIST - AMPLIFIER BOARD

CAPACITORS

2421	5322 126 11578	1nF 10% 50V	3305	4822 051 10568	5R6 5% 0,25W
2422	5322 126 11578	1nF 10% 50V	3307	4822 051 30109	10R 5% 0,062W
2423	2238 586 59812	100nF +80/-20% 50V	3309	4822 051 30109	10R 5% 0,062W
2425	5322 126 11578	1nF 10% 50V	3401	4822 051 30562	5k6 5% 0,062W
2500	2238 586 59812	100nF +80/-20% 50V	3404	4822 051 30221	220R 5% 0,062W
2501	2238 586 59812	100nF +80/-20% 50V	3405	4822 051 30562	5k6 5% 0,062W
2502	2238 586 59812	100nF +80/-20% 50V	3408	4822 051 30221	220R 5% 0,062W
2600	2238 586 59812	100nF +80/-20% 50V	3410	4822 051 30562	5k6 5% 0,062W
2602	2020 552 94427	100pF 5% 50V	3411	4822 051 30562	5k6 5% 0,062W
2603	2020 552 94427	100pF 5% 50V	3412	4822 051 30221	220R 5% 0,062W
2604	2238 586 59812	100nF +80/-20% 50V	3413	4822 051 30562	5k6 5% 0,062W
2605	4822 126 13881	470pF 5% 50V	3414	4822 051 30562	5k6 5% 0,062W
2606	5322 126 11578	1nF 10% 50V	3415	4822 051 30562	5k6 5% 0,062W
2607	2020 552 94427	100pF 5% 50V	3420	2322 615 23103	NTC 10k 5% 0,125W
2608	2020 552 94427	100pF 5% 50V	3421	4822 051 30562	5k6 5% 0,062W
2611	2020 552 96507	10uF +80/-20% 10V	3422	4822 051 30101	100R 5% 0,062W
2700	2020 552 96507	10uF +80/-20% 10V	3423	4822 051 30562	5k6 5% 0,062W
4132	4822 126 14583	470nF 10% 16V	3424	4822 051 30562	5k6 5% 0,062W
4133	4822 126 14583	470nF 10% 16V	3425	4822 051 30562	5k6 5% 0,062W
4137	4822 126 14583	470nF 10% 16V	3426	4822 051 30562	5k6 5% 0,062W
4138	4822 126 14583	470nF 10% 16V	3600	4822 051 10821	820R 2% 0,25W
4232	4822 126 14583	470nF 10% 16V	3601	4822 051 10821	820R 2% 0,25W
4233	4822 126 14583	470nF 10% 16V	3602	4822 117 13632	100k 1% 0,062W
4237	4822 126 14583	470nF 10% 16V	3604	4822 051 30103	10k 5% 0,062W
4238	4822 126 14583	470nF 10% 16V	3605	4822 051 30682	6k8 5% 0,062W
4332	4822 126 14583	470nF 10% 16V	3606	4822 117 13632	100k 1% 0,062W
4333	4822 126 14583	470nF 10% 16V	3607	4822 051 30102	1k 5% 0,062W
4337	4822 126 14583	470nF 10% 16V	3608	4822 051 30105	1M 5% 0,062W
4338	4822 126 14583	470nF 10% 16V	3609	4822 117 13632	100k 1% 0,062W

RESISTORS

3100	4822 051 10568	5R6 5% 0,25W	3700	4822 117 12925	47k 1% 0,062W
3101	4822 051 10568	5R6 5% 0,25W	3701	4822 117 12925	47k 1% 0,062W
3102	4822 051 10568	5R6 5% 0,25W	3703	4822 117 12925	47k 1% 0,062W
3103	2322 762 60229	22R 5% PRC221	3709	4822 117 12925	47k 1% 0,062W
3104	2322 762 60229	22R 5% PRC221	3712	4822 117 12925	47k 1% 0,062W
3105	4822 051 10568	5R6 5% 0,25W	3713	4822 051 30103	10k 5% 0,062W
3107	4822 051 30109	10R 5% 0,062W	3716	4822 117 12925	47k 1% 0,062W
3109	4822 051 30109	10R 5% 0,062W	3718	4822 117 12925	47k 1% 0,062W
3200	4822 051 10568	5R6 5% 0,25W	3721	4822 051 30103	10k 5% 0,062W
3201	4822 051 10568	5R6 5% 0,25W	3722	4822 051 30103	10k 5% 0,062W
3202	4822 051 10568	5R6 5% 0,25W			
3203	2322 762 60229	22R 5% PRC221			
3204	2322 762 60229	22R 5% PRC221			
3205	4822 051 10568	5R6 5% 0,25W			
3207	4822 051 30109	10R 5% 0,062W			
3209	4822 051 30109	10R 5% 0,062W			
3300	4822 051 10568	5R6 5% 0,25W			
3301	4822 051 10568	5R6 5% 0,25W			
3302	4822 051 10568	5R6 5% 0,25W			
3303	2322 762 60229	22R 5% PRC221			
3304	2322 762 60229	22R 5% PRC221			

COIL & FILTERS

5102	2422 536 00496	Ind. Fixed 22uH 10%
5103	2422 536 00496	Ind. Fixed 22uH 10%
5202	2422 536 00496	Ind. Fixed 22uH 10%
5203	2422 536 00496	Ind. Fixed 22uH 10%
5302	2422 536 00496	Ind. Fixed 22uH 10%
5303	2422 536 00496	Ind. Fixed 22uH 10%
5400	4822 157 11411	Fixed Ind. 100MHZ 80R
5401	4822 157 11411	Fixed Ind. 100MHZ 80R

ELECTRICAL PARTS LIST - AMPLIFIER BOARD

DIODES

6600	3198 020 55680	BZX384-C5V6
6713	4822 130 11397	BAS316
6714	4822 130 11397	BAS316
6715	4822 130 11397	BAS316

TRANSISTORS & INTEGRATED CIRCUITS

7100	9352 705 74518	TDA8920TH/N1
7200	9352 705 74518	TDA8920TH/N1
7300	9352 705 74518	TDA8920TH/N1
7600	5322 209 11517	PC74HCU04T
7602	5322 130 60159	BC847B
7607	5322 209 14477	HEF4013BT
7608	4822 130 60373	BC857B
7710	5322 130 60159	BC847B
7716	4822 130 60373	BC857B

Note: Only the parts mentioned in this list are normal service spare parts.

ELECTRICAL PARTS LIST - SPEAKER CONNECTOR BOARD

MISCELLANEOUS

1711	2422 025 18178	Speaker Socket 6P Pur/Blue/Gry
1712	2422 025 18179	Speaker Socket 6P Wte/Grn/Red

CAPACITORS

2202	5322 126 11583	10nF 10% 50V
2203	5322 126 11583	10nF 10% 50V
2204	5322 126 11583	10nF 10% 50V
2205	5322 126 11583	10nF 10% 50V
2206	5322 126 11583	10nF 10% 50V
2207	5322 126 11583	10nF 10% 50V
2208	5322 126 11583	10nF 10% 50V
2209	5322 126 11583	10nF 10% 50V
2210	5322 126 11583	10nF 10% 50V
2211	5322 126 11583	10nF 10% 50V
2212	5322 126 11583	10nF 10% 50V
2213	5322 126 11583	10nF 10% 50V

RESISTORS

4221	4822 051 20008	0R Jumper 0805
4222	4822 051 20008	0R Jumper 0805
4223	4822 051 20008	0R Jumper 0805
4224	4822 051 20008	0R Jumper 0805
4225	4822 051 20008	0R Jumper 0805

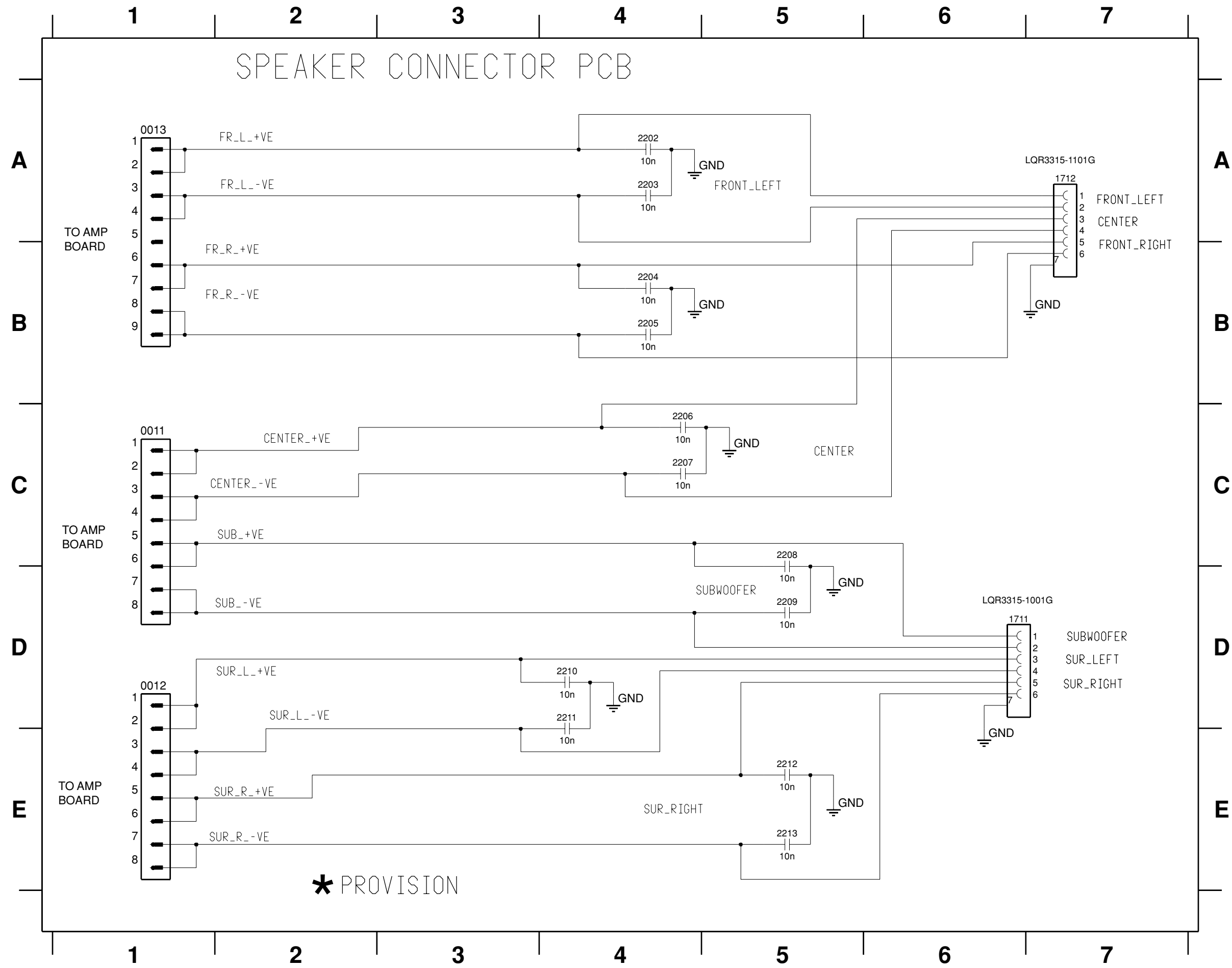
Note: Only the parts mentioned in this list are normal service spare parts.

SPEAKER CONNECTOR BOARD

TABLE OF CONTENTS

Electrical parts list	9-1
Circuit Diagram	9-2
Component and Chip layouts	9-3

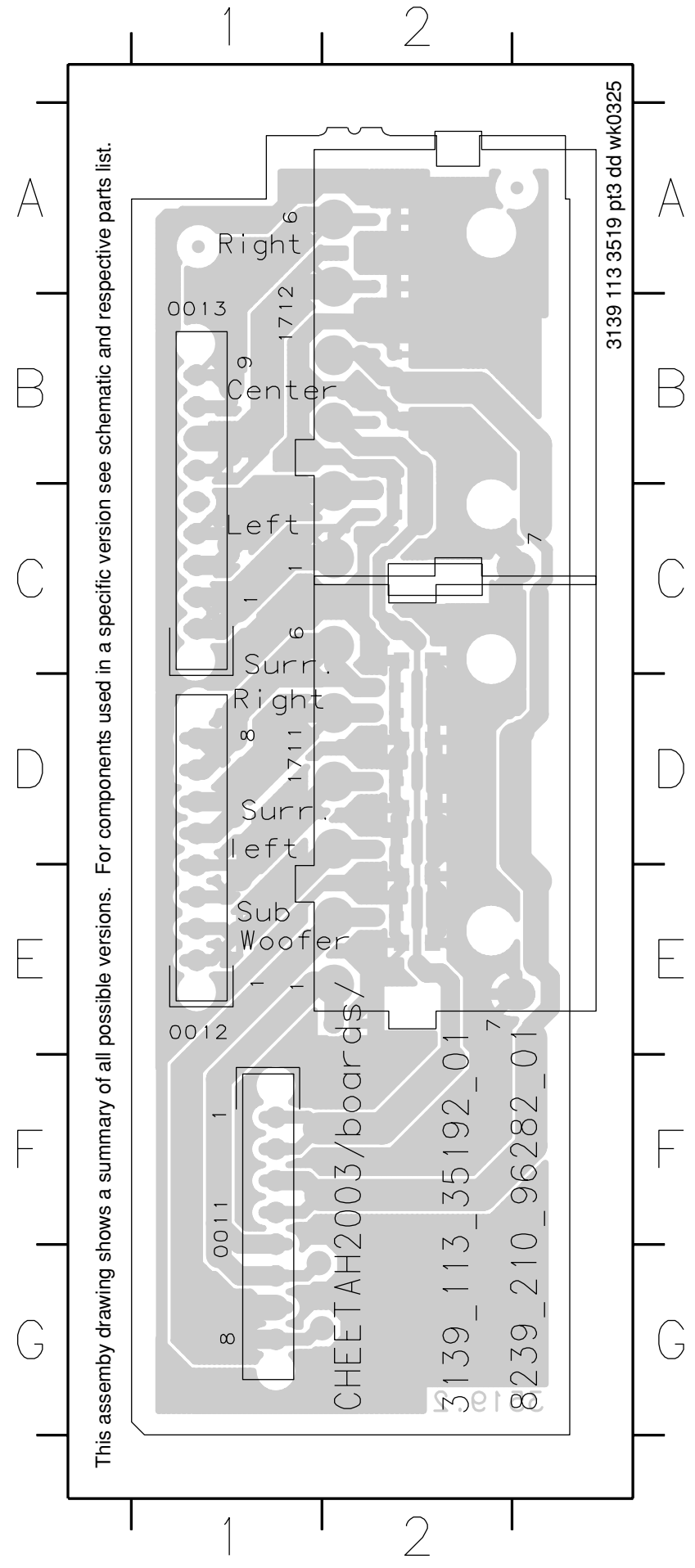
CIRCUIT DIAGRAM



- 0011 C1
- 0012 D1
- 0013 A1
- 1711 D6
- 1712 A7
- 2202 A4
- 2203 A4
- 2204 B4
- 2205 B4
- 2206 C4
- 2207 C4
- 2208 C5
- 2209 D5
- 2210 D4
- 2211 D4
- 2212 E5
- 2213 E5

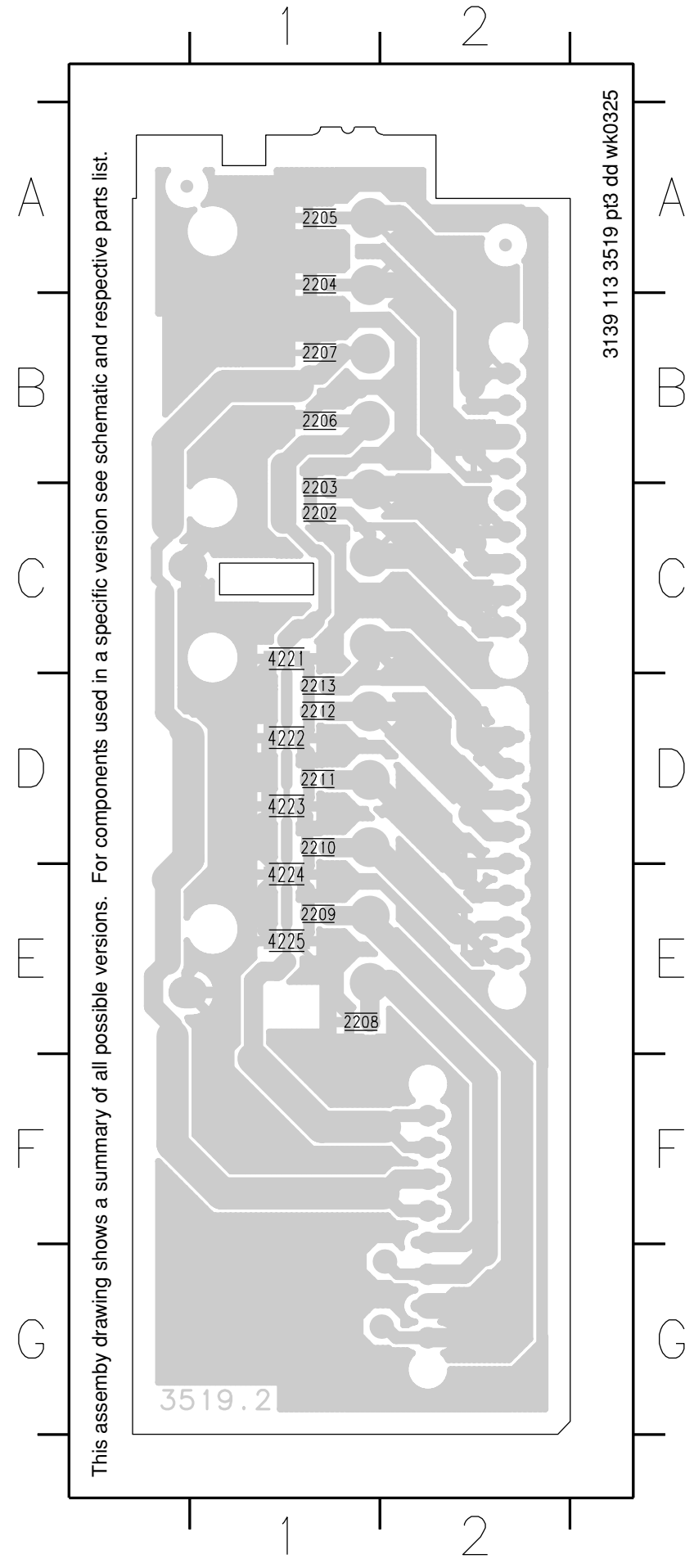
* PROVISION

COMPONENT LAYOUT



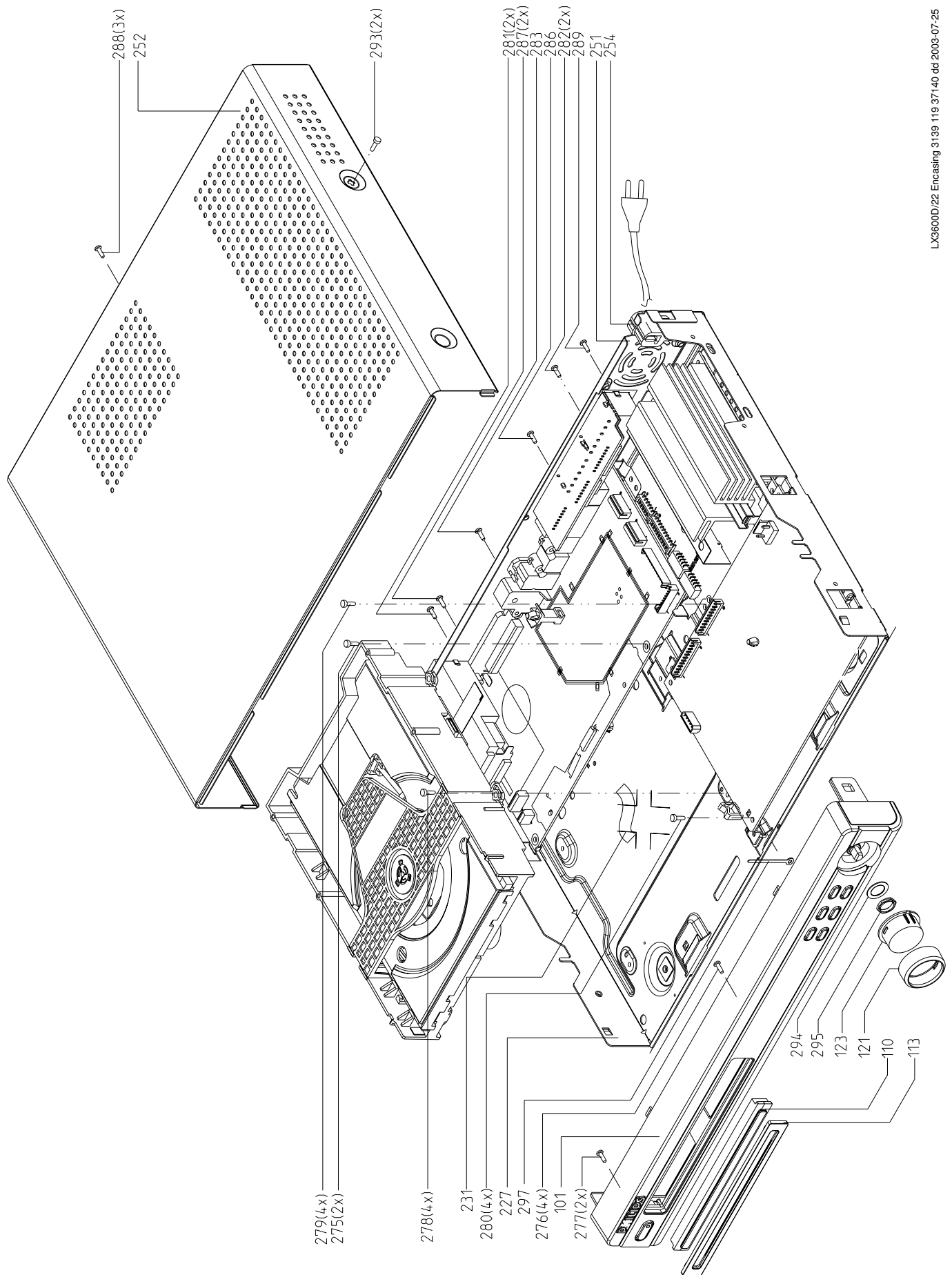
0011 F 1
 0012 B 1
 0013 B 1
 1711 B 1
 1712 B 1

CHIP LAYOUT

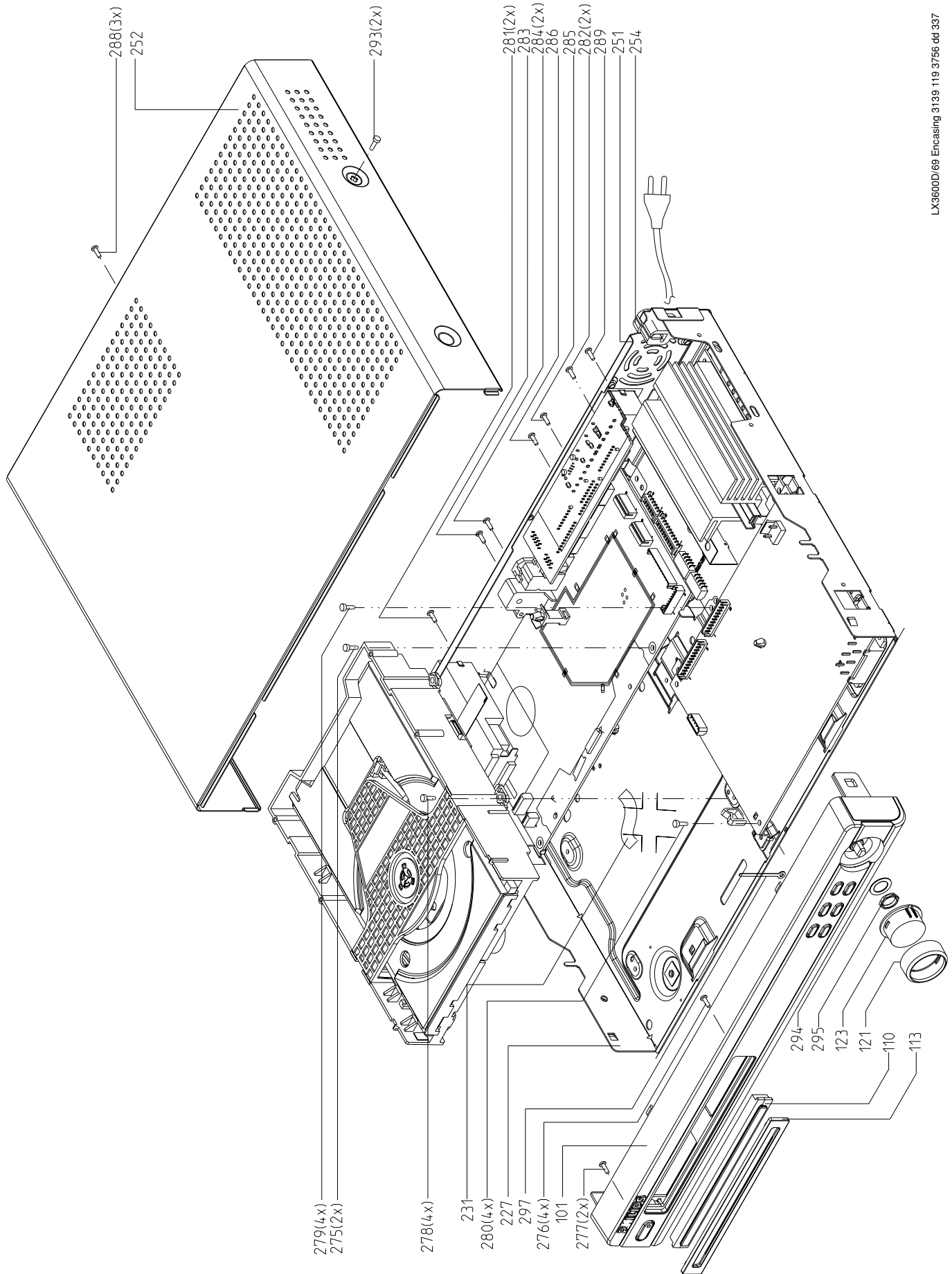


2202 F 1
 2203 F 1
 2204 A 1
 2205 B 1
 2206 B 1
 2207 F 1
 2208 F 1
 2210 F 1
 2211 F 1
 2212 D 1
 2213 D 1
 4221 C 1
 4222 C 1
 4223 D 1
 4224 D 1
 4225 F 1

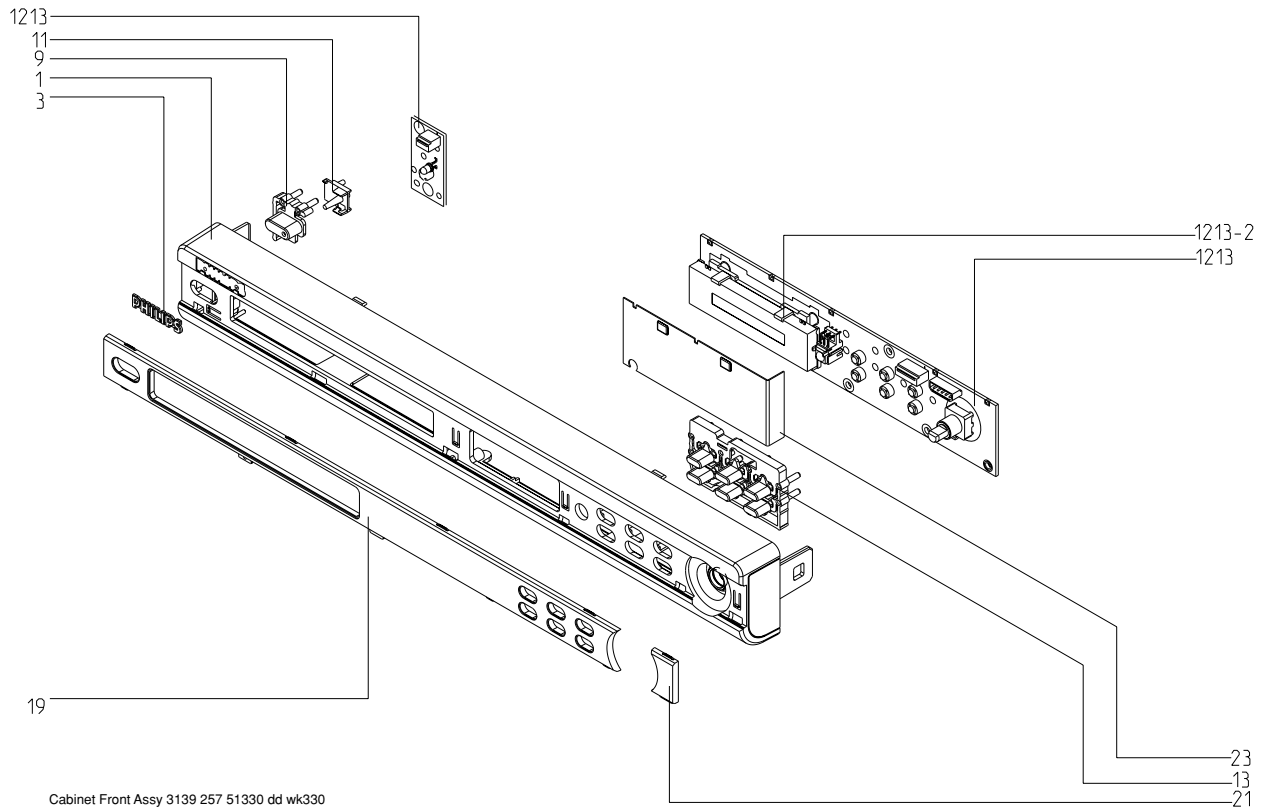
MAIN ENCASING EXPLODED VIEW (For /22 & 125 only)



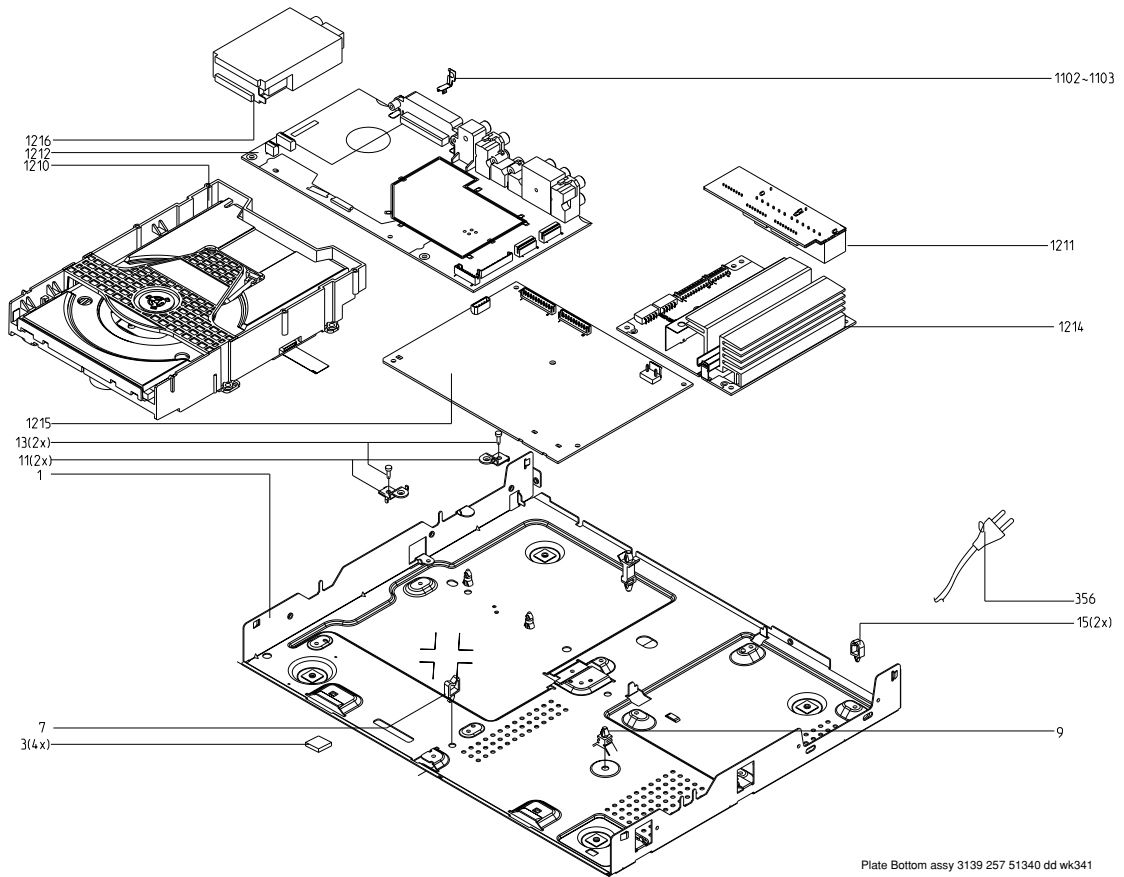
MAIN ENCASING EXPLODED VIEW (For all versions except /22 & /25)



FRONT CABINET ASSY EXPLODED VIEW



BOTTOM PLATE ASSY EXPLODED VIEW



MAIN ENCASING & ACCESSORIES PARTS LIST

110	3139 257 51241	Cover Tray DVD	
113	3139 114 79611	Lens Orn Cover Tray	
121	3139 114 79591	Knob Volume	
123	3139 114 79601	Cap Volume	
254	4822 532 60948	Bush, Mains cord	
345	3139 119 01421	LS Box Package (CS & Subwoofer)	
351	2422 076 00546	FM Antenna Wire	
352	2422 549 45386	AM Loop Antenna	
353	3139 238 04751	Remote Control RC19245015/01H	
363	2422 076 00468	Scart Cable 1,1M 21Pin	/22/25
364	3103 308 92610	Audio Cable 1,5M	not for /22/25
365	4822 263 21206	Video Cable 1,7M Yel	not for /22/25
370	3139 115 22851	Instruction For Use	/17
370	3139 115 22611	Instruction For Use Book 1	/22
370	3139 115 22701	Instruction For Use	/25
370	3139 115 22831	Instruction For Use	/69
370	3139 115 22941	Instruction For Use	/75
370	3139 115 22931	Instruction For Use	/78
371	3139 115 22721	Instruction For Use Book 2	/22
8521	3139 110 34580	Flex Cable 4P 28cm AD	
8531	3139 111 03671	Flex Cable 10P 14cm AD	
8532	3139 111 03671	Flex Cable 10P 14cm AD	
8540	3139 110 35390	Flex Cable 8P 48cm BD	
8580	3139 110 35911	Flex Cable 11P 10cm BD	

356	2422 070 98233	△ Main Cord Aust. 7A5 1,8M	/75
1210	3141 018 03810	DVD Loader A97SL	
1215	3122 429 00261	PSU Board 120V	/17
1215	3122 429 00191	PSU Board 220-240V	/22/25/75
1215	3122 429 00241	PSU Board Voltage Selector	/69/78
1216	2422 542 90137	Tuner Module Eur	/22/25
1216	2422 542 90138	Tuner Module non-Eur	/17/69/75/78

LOUDSPEAKER PACKAGE BREAKDOWN PARTS

9965 000 20170	Front Speaker Box Left
9965 000 20171	Front Speaker Box Right
9965 000 20172	Rear Speaker Box Left
9965 000 20173	Rear Speaker Box Right
9965 000 20174	Center Speaker Box
9965 000 20175	Subwoofer Box
9965 000 17047	Mounting Bracket + Screw Pack

Note: Only the parts mentioned in this list are normal service spare parts.

FRONT CABINET ASSEMBLY PARTS LIST

1	3139 257 51571	Cabinet Front	/17
1	3139 257 51221	Cabinet Front	/22/25
1	3139 257 51411	Cabinet Front	/69/75/78
3	3139 247 51831	Badge Philips Silver	
9	3139 257 51231	Button Power/Standby	
11	3139 114 79541	Lightguide Standby	
13	3139 257 51271	Button Set Control	
19	3139 257 51251	Window Display	
21	3139 114 79571	Window Display Right	

SCREW LIST

13	M3 x 4
275	M3 x 6
276	D3 x 8
277	D3 x 8
278	M3 x 6
279	M3 x 6
280	M3 x 6
281	M3 x 4
282	D3 x 8
283	D3 x 8
284	D3 x 8
285	D3 x 8
286	D3 x 8
287	D3 x 8
288	M3 x 4
289	M3 x 4
293	D3 x 10

BOTTOM PLATE ASSEMBLY PARTS LIST

3	3139 243 10080	Cushion Foot	
9	8204 055 76161	Spacer Locking KGLS-4S	
356	2422 070 98235	△ Main Cord UL 6A 1,8M	/17
356	2422 070 98231	△ Main Cord IEC 2A5 1,8M	/22/69/78
356	2422 070 98236	△ Main Cord UK 5A 1,8M	/25

REVISION LIST**Version 1.0**

- * Initial release

Version 1.1

- * Modify/Add the undermentioned pages to include LX3600D/17, /69, /75 and /78:
Pages: 1-1 to 1-3, 3-2, 4-1 to 4-2, 5-1, 5-4 to 5-7, 7-2 to 7-17, and 10-1 to 10-4
Note: In Chapter 7 - new pcb 3139 113 3522 pt 1 is added to replace the existing board that does not support the new type/version. The old pcb 3139 113 3020 pt3 is used only by /22 & /25 during production start-up.
- * General correction/Update of pages 1-5 and 1-6.
- * In Chapter 8 the pcb 3104 213 3525 pt 5 is replaced by a new pcb 3139 113 3530 pt 1 because at production start-up the new board is implemented.