

PARTS LIST

CAUTION

- The parts identified by the Δ symbol are important for the safety . Whenever replacing these parts, be sure to use specified ones to secure the safety.
- The parts not indicated in this Parts List and those which are filled with lines --- in the Parts No. columns will not be supplied.
- P.W. BOARD Ass'y will not be supplied, but those which are filled with the Parts No. in the Parts No. columns will be supplied.

ABBREVIATIONS OF RESISTORS, CAPACITORS AND TOLERANCES

RESISTORS		CAPACITORS	
CR	Carbon Resistor	C CAP.	Ceramic Capacitor
FR	Fusible Resistor	E CAP.	Electrolytic Capacitor
PR	Plate Resistor	M CAP.	Mylar Capacitor
VR	Variable Resistor	CH CAP.	Chip Capacitor
HV R	High Voltage Resistor	HV CAP.	High Voltage Capacitor
MF R	Metal Film Resistor	MF CAP.	Metalized Film Capacitor
MG R	Metal Glazed Resistor	MM CAP.	Metalized Mylar Capacitor
MP R	Metal Plate Resistor	MP CAP.	Metalized Polystyrol Capacitor
OM R	Metal Oxide Film Resistor	PP CAP.	Polypropylene Capacitor
CMF R	Coating Metal Film Resistor	PS CAP.	Polystyrol Capacitor
UNF R	Non-Flammable Resistor	TF CAP.	Thin Film Capacitor
CH V R	Chip Variable Resistor	MPP CAP.	Metalized Polypropylene Capacitor
CH MG R	Chip Metal Glazed Resistor	TAN. CAP.	Tantalum Capacitor
COMP. R	Composition Resistor	CH C CAP.	Chip Ceramic Capacitor
LPTC R	Linear Positive Temperature Coefficient Resistor	BP E CAP.	Bi-Polar Electrolytic Capacitor
		CH AL E CAP.	Chip Aluminum Electrolytic Capacitor
		CH AL BP CAP.	Chip Aluminum Bi-Polar Capacitor
		CH TAN. E CAP.	Chip Tantalum Electrolytic Capacitor
		CH AL BP E CAP.	Chip Tantalum Bi-Polar Electrolytic Capacitor

RESISTORS									
F	G	J	K	M	N	R	H	Z	P
±1%	±2%	±5%	±10%	±20%	±30%	+30% -10%	+50% -10%	+80% -20%	+100% -0%

CONTENTS

USING P.W. BOARD & REMOTE CONTROL UNIT	3-2
EXPLODED VIEW PARTS LIST -1	3-3
EXPLODED VIEW -1	3-4
EXPLODED VIEW PARTS LIST -2	3-5
EXPLODED VIEW -2	3-6
PRINTED WIRING BOARD PARTS LIST [LT-37S60BU]	3-7
ANALOG SIGANL P.W. BOARD ASS'Y (SFL-1114A-U2)	3-7
CONNECTOR P.W. BOARD ASS'Y (SFL-4112A-U2)	3-11
FRONT CONTROL P.W. BOARD ASS'Y (SFL-7111A-U2)	3-12
FRONT LED P.W. BOARD ASS'Y (SFL-8133A-U2)	3-12
POWER P.W. BOARD ASS'Y (SFL-9034A-U2)	3-12
REGULATOR P.W. BOARD ASS'Y (SFL-9134A-U2)	3-14
DIGITAL SIGANL P.W. BOARD ASS'Y (SFL0D238A-U2)	3-14
RECEIVER P.W. BOARD ASS'Y (SFL0F204A-U2)	3-20
PRINTED WIRING BOARD PARTS LIST [LT-37S60BU/P]	3-22
ANALOG SIGANL P.W. BOARD ASS'Y (SFL-1114A-U2)	3-22
CONNECTOR P.W. BOARD ASS'Y (SFL-4112A-U2)	3-22
FRONT CONTROL P.W. BOARD ASS'Y (SFL-7111A-U2)	3-22
FRONT LED P.W. BOARD ASS'Y (SFL-8133A-U2)	3-22
POWER P.W. BOARD ASS'Y (SFL-9034A-U2)	3-22
REGULATOR P.W. BOARD ASS'Y (SFL-9134A-U2)	3-22
DIGITAL SIGNAL P.W. BOARD ASS'Y (LCA10557-71A) (SFL-0D238A)	3-22
RECEIVER P.W. BOARD ASS'Y (SFL0F204A-U2)	3-28
REMOTE CONTROL UNIT PARTS LIST (RM-C1811H-2C)	3-28
PACKING	3-29
PACKING PARTS LIST	3-29

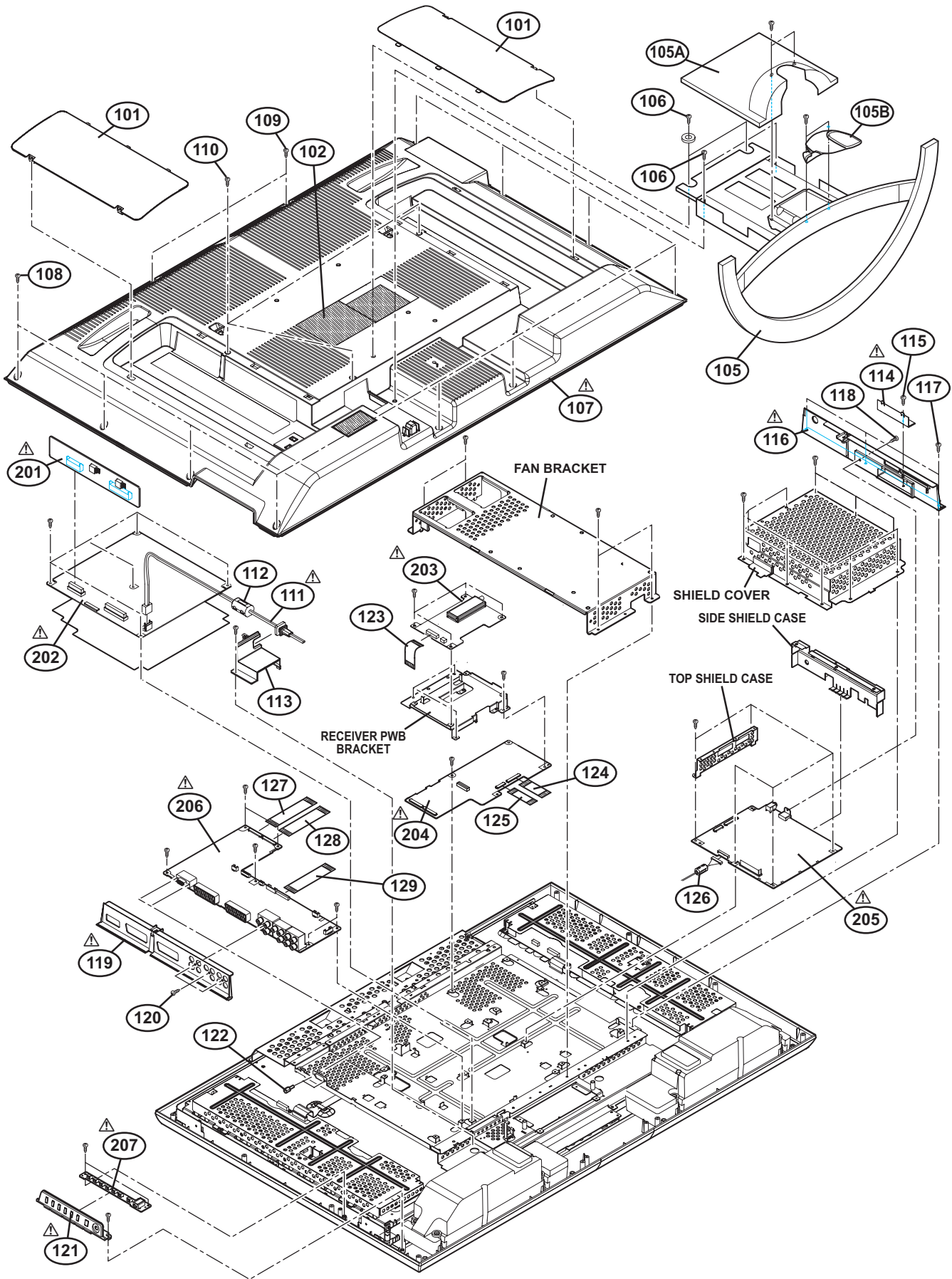
USING P.W. BOARD & REMOTE CONTROL UNIT

P.W.B ASS'Y name	P.W.B ASS'Y No.	
	LT-37S60BU	LT-37S60BU/P
ANALOG SIGNAL P.W.B	SFL-1114A-U2	←
CONNECTOR P.W.B	SFL-4112A-U2	←
FRONT CONTROL P.W.B	SFL-7111A-U2	←
FRONT LED P.W.B	SFL-8133A-U2	←
POWER P.W.B	SFL-9034A-U2	←
REGULATOR P.W.B	SFL-9134A-U2	←
DIGITAL SIGNAL P.W.B	SFL0D238A-U2	LCA10557-71A (SFL-0D238A)
RECEIVER P.W.B	SFL0F204A-U2	←
REMOTE CONTROL UNIT	RM-C1811H-2C	←

EXPLODED VIEW PARTS LIST -1

△ Ref.No.	Part No.	Part Name	Description	Local
101	LC21923-001A-U	JACK COVER	(x2)	
102	LC21991-001A-U	RATING LABEL		
105	GA10134-001A-U	STAND ASSY	Inc.105A/105B	
105A	GA30094-001A-U	STAND COVER		
105B	GA30081-001A-U	CABLE COVER		
△ 106	QYSPSPD5014MA	SCREW	M5 x 14mm(x4)	
△ 107	LC12450-001A-U	REAR COVER		LT-37S60BU
△ 107	LC12450-002A-U	REAR COVER		LT-37S60BU/P
△ 108	QYSBSFG4016MA	TAP SCREW	M4 x 16mm(x10)	
△ 109	QYSPSPD3008MA	SCREW	M3 x 8mm(x2)	
△ 110	QYSBSF3010MA	TAP SCREW	M3 x 10mm(x3)	
△ 111	QMPK300-170-JC	POWER CORD(EU)	1.7m BLACK	
△ 112	QQR0942-001	CORE FILTER		
△ 113	LC33103-002A-0K	POWER CORD HOLDER		
△ 114	LC32760-002A-HK	SERVICE COVER		
△ 115	QYSBSF3010MA	TAP SCREW	M3 x 10mm	
△ 116	LC21734-004A-U	TUNER BASE		
△ 117	QYSPSPD3008MA	SCREW	M3 x 8mm(x3)	
△ 118	QYSPSP3008MA	SCREW	M3 x 8mm	
△ 119	LC21735-002A-U	TERMINAL BASE		
△ 120	QYSBSF3010MA	TAP SCREW	M3 x 10mm(x3)	
△ 121	LC33216-001A-U	CONTROL ASSY		
△ 122	QNB0036-001	HEX SCREW	(x2)	
△ 123	QUQ105-4006AL-E	FFC WIRE	40pin 6cm	
△ 124	QUQ105-5004AA-E	FFC WIRE	50pin 4cm	
△ 125	QUQ105-3004AA-E	FFC WIRE	30pin 4cm	
△ 126	QQR0490-001	NOISE FILTER		
△ 127	QUQ105-5009AE-E	FFC WIRE	50pin 9cm	
△ 128	QUQ105-5009AE-E	FFC WIRE	50pin 9cm	
△ 129	QUQK12-2106CH-E	FFC WIRE	21pin 6cm	
△ 201	SFL-9134A-U2	REGULATOR PWB		
△ 202	SFL-9034A-U2	POWER PWB		
△ 203	SFL0F204A-U2	RECEIVER PWB		
△ 204	SFL-4112A-U2	CONNECTOR PWB		
△ 205	SFL0D238A-U2	DIGITAL SIGNAL PWB		LT-37S60BU
△ 205	LCA10557-71A	DIGITAL SIGNAL PWB		LT-37S60BU/P
△ 206	SFL-1114A-U2	ANALOG SIGNAL PWB		
△ 207	SFL-7111A-U2	FRONT CONTROL PWB		

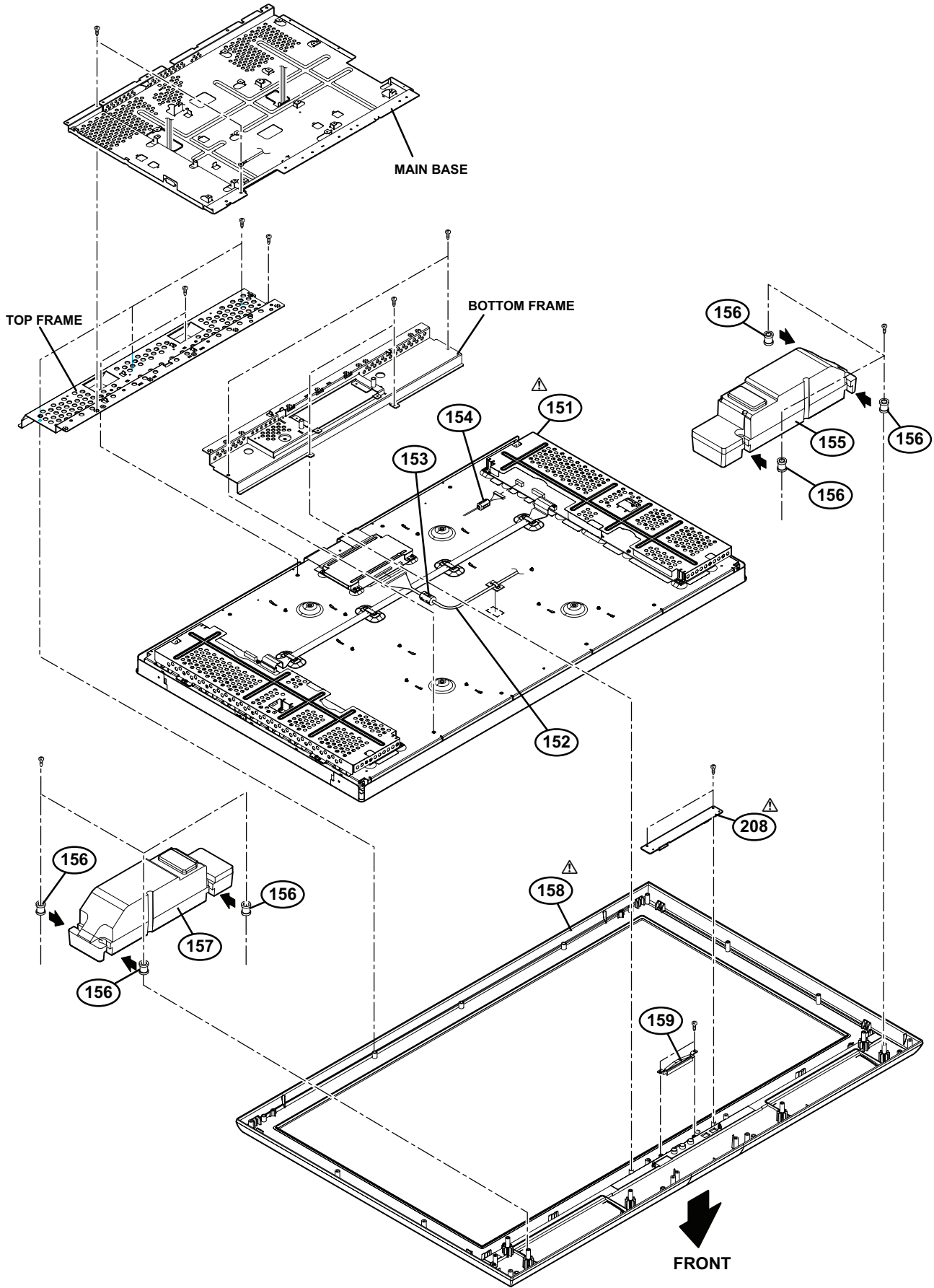
EXPLODED VIEW -1



EXPLODED VIEW PARTS LIST -2

△ Ref.No.	Part No.	Part Name	Description	Local
△ 151	QLD0375-001-JUK	LCD PANEL UNIT		
152	WJW0021-002A-E	DIGITAL(LVDS) CABLE		
153	QQR0490-001	NOISE FILTER		
154	QQR0490-001	NOISE FILTER		
155	LC41913-004A-C	SPEAKER ASSY	LEFT	
156	LC40226-005A-H	SPACER	(x6)	
157	LC41913-003A-C	SPEAKER ASSY	RIGHT	
△ 158	LC12449-002A-U	FRONT PANEL ASSY		
159	LC33125-001B-HK	LED LENS		
△ 208	SFL-8133A-U2	FRONT LED PWB		

EXPLODED VIEW -2



PRINTED WIRING BOARD PARTS LIST [LT-37S60BU]

ANALOG SIGNAL P.W. BOARD ASS'Y (SFL-1114A-U2)

△Ref No.	Part No.	Part Name	Description	Local	△Ref No.	Part No.	Part Name	Description	Local
IC201	TB1305FG	IC			D904	PTZ6.8B-X	Z DIODE		
IC202	SN74CBT3253PW-X	IC			D905	MA8030/H-X	Z DIODE		
IC301	AN15852A	IC			D2001	UDZS10B-X	Z DIODE		
IC501	CXA2069Q	IC			D2002	UDZS10B-X	Z DIODE		
IC502	MM1510XN-X	IC			D2003	UDZS10B-X	Z DIODE		
IC503	MM1508XN-X	IC			D2004	UDZS10B-X	Z DIODE		
IC711	CXA1875AM-X	IC			D2005	UDZS10B-X	Z DIODE		
IC801	TB1274BFG	IC			D2101	UDZS10B-X	Z DIODE		
IC802	TC90A69AF-X	IC			D2102	UDZS10B-X	Z DIODE		
IC902	TA48M033F-X	IC			D2103	UDZS10B-X	Z DIODE		
IC6001	NJM2777M-X	IC			D2104	UDZS10B-X	Z DIODE		
IC6201	PQ20WZ11-X	IC			D2105	UDZS10B-X	Z DIODE		
IC6521	NJW1164M-W	IC			D2106	UDZS10B-X	Z DIODE		
IC6551	RC4558D-X	IC			D2107	UDZS10B-X	Z DIODE		
IC6552	RC4558D-X	IC			D2201	UDZS10B-X	Z DIODE		
IC6621	LM393DR-X	IC			D2202	UDZS10B-X	Z DIODE		
IC6661	TDA8925ST/N1	IC			D2203	UDZS10B-X	Z DIODE		
Q301	2SC3837K/NP/-X	TRANSISTOR			D2204	UDZS10B-X	Z DIODE		
Q302	2SC3837K/NP/-X	TRANSISTOR			D2205	UDZS10B-X	Z DIODE		
Q303	2SC3837K/NP/-X	TRANSISTOR			D2206	UDZS10B-X	Z DIODE		
Q307	2SA1530A/QR/-X	TRANSISTOR			D2207	UDZS10B-X	Z DIODE		
Q402	SSM3K17FU-X	MOS FET			D2301	UDZS10B-X	Z DIODE		
Q403	SSM3K17FU-X	MOS FET			D2302	UDZS10B-X	Z DIODE		
Q404	NRSA63J-0R0X	MG RESISTOR	0Ω 1/16W J		D2303	UDZS10B-X	Z DIODE		
Q405	NRSA63J-0R0X	MG RESISTOR	0Ω 1/16W J		D2304	UDZS10B-X	Z DIODE		
Q507	2SA1530A/QR/-X	TRANSISTOR			D2305	UDZS10B-X	Z DIODE		
Q508	2SA1530A/QR/-X	TRANSISTOR			D2601	UDZS10B-X	Z DIODE		
Q510	2SA1530A/QR/-X	TRANSISTOR			D2602	UDZS10B-X	Z DIODE		
Q801	2SA1530A/QR/-X	TRANSISTOR			D2603	UDZS10B-X	Z DIODE		
Q802	2SA1530A/QR/-X	TRANSISTOR			D2604	UDZS10B-X	Z DIODE		
Q804	2SC3928A/QR/-X	TRANSISTOR			D2605	UDZS10B-X	Z DIODE		
Q805	2SC3928A/QR/-X	TRANSISTOR			D6001	1SS355-X	SI DIODE		
Q806	2SC3928A/QR/-X	TRANSISTOR			D6002	1SS355-X	SI DIODE		
Q807	2SC3928A/QR/-X	TRANSISTOR			D6201	1SS355-X	SI DIODE		
Q808	2SC3928A/QR/-X	TRANSISTOR			D6431	1SS355-X	SI DIODE		
Q809	2SC3928A/QR/-X	TRANSISTOR			D6432	1SS355-X	SI DIODE		
Q810	2SA1530A/QR/-X	TRANSISTOR			D6433	1SS355-X	SI DIODE		
Q851	2SA1530A/QR/-X	TRANSISTOR			D6501	1SS355-X	SI DIODE		
Q853	2SC3928A/QR/-X	TRANSISTOR			D6502	1SS355-X	SI DIODE		
Q854	2SC3928A/QR/-X	TRANSISTOR			D6503	1SS355-X	SI DIODE		
Q855	2SA1530A/QR/-X	TRANSISTOR			D6504	1SS355-X	SI DIODE		
Q858	2SC3928A/QR/-X	TRANSISTOR			D6601	UDZS6.2B-X	Z DIODE		
Q859	2SA1530A/QR/-X	TRANSISTOR			D6663	UDZS3.3B-X	Z DIODE		
Q862	2SC3928A/QR/-X	TRANSISTOR			D6664	1SS355-X	SI DIODE		
Q863	2SC3928A/QR/-X	TRANSISTOR			D6671	UDZS20B-X	Z DIODE		
Q901	BA90BC0FP-X	IC			D6672	UDZS20B-X	Z DIODE		
Q902	2SC3074/OY/-X	TRANSISTOR			D6673	UDZS20B-X	Z DIODE		
Q903	2SC3928A/QR/-X	TRANSISTOR			D6674	UDZS20B-X	Z DIODE		
Q2051	UN2226-X	DIGI TRANSISTOR			D6681	1SS355-X	SI DIODE		
Q2052	UN2226-X	DIGI TRANSISTOR			D6682	1SS355-X	SI DIODE		
Q2053	UN2110-X	DIGI TRANSISTOR			D6683	1SS355-X	SI DIODE		
Q2151	UN2226-X	DIGI TRANSISTOR			C201	NCB31CK-105X	C CAPACITOR	1uF 16V K	
Q2152	UN2226-X	DIGI TRANSISTOR			C202	NCB31CK-105X	C CAPACITOR	1uF 16V K	
Q2153	UN2110-X	DIGI TRANSISTOR			C203	NCB31CK-105X	C CAPACITOR	1uF 16V K	
Q2171	2SC3928A/QR/-X	TRANSISTOR			C204	NCB31CK-104X	C CAPACITOR	0.1uF 16V K	
Q2172	2SC3928A/QR/-X	TRANSISTOR			C205	NCB31CK-105X	C CAPACITOR	1uF 16V K	
Q2173	UN2212-X	DIGI TRANSISTOR			C206	NCB31CK-105X	C CAPACITOR	1uF 16V K	
Q2451	UN2226-X	DIGI TRANSISTOR			C207	NCB31CK-105X	C CAPACITOR	1uF 16V K	
Q2452	UN2226-X	DIGI TRANSISTOR			C208	NDC31HJ-120X	C CAPACITOR	12pF 50V J	
Q2453	UN2110-X	DIGI TRANSISTOR			C210	NCB11CK-475X	C CAPACITOR	4.7uF 16V K	
Q6301	2SC3928A/QR/-X	TRANSISTOR			C211	NCB11CK-475X	C CAPACITOR	4.7uF 16V K	
Q6302	2SC3928A/QR/-X	TRANSISTOR			C212	NCB31CK-105X	C CAPACITOR	1uF 16V K	
Q6421	2SC3928A/QR/-X	TRANSISTOR			C213	NCB31CK-103X	C CAPACITOR	0.01uF 16V K	
Q6431	2SA1530A/QR/-X	TRANSISTOR			C215	NCB11CK-475X	C CAPACITOR	4.7uF 16V K	
Q6521	2SC3928A/QR/-X	TRANSISTOR			C216	NCB31CK-105X	C CAPACITOR	1uF 16V K	
Q6522	2SC3928A/QR/-X	TRANSISTOR			C217	NCB31CK-105X	C CAPACITOR	1uF 16V K	
Q6523	2SA1530A/QR/-X	TRANSISTOR			C218	NCB31CK-105X	C CAPACITOR	1uF 16V K	
Q6531	2SC3928A/QR/-X	TRANSISTOR			C219	NCB31CK-105X	C CAPACITOR	1uF 16V K	
Q6532	2SC3928A/QR/-X	TRANSISTOR			C220	NCB31CK-105X	C CAPACITOR	1uF 16V K	
Q6533	2SC3928A/QR/-X	TRANSISTOR			C221	NCB31CK-105X	C CAPACITOR	1uF 16V K	
Q6534	2SA1530A/QR/-X	TRANSISTOR			C223	NCB11CK-475X	C CAPACITOR	4.7uF 16V K	
Q6538	2SC3928A/QR/-X	TRANSISTOR			C224	NCB31CK-105X	C CAPACITOR	1uF 16V K	
Q6539	2SC3928A/QR/-X	TRANSISTOR			C225	NCF31CZ-104X	C CAPACITOR	0.1uF 16V Z	
Q6661	UN2112-X	DIGI TRANSISTOR			C301	NCF31CZ-104X	C CAPACITOR	0.1uF 16V Z	
Q6662	2SC3928A/QR/-X	TRANSISTOR			C302	NEHL1CM-476X	E CAPACITOR	47uF 16V M	
Q6663	UN2212-X	DIGI TRANSISTOR			C303	NRSA02J-221X	MG RESISTOR	220Ω 1/10W J	
Q6673	2SA1530A/QR/-X	TRANSISTOR			C304	NRSA02J-221X	MG RESISTOR	220Ω 1/10W J	
D201	1SS355-X	SI DIODE			C305	NRSA02J-221X	MG RESISTOR	220Ω 1/10W J	
D541	UDZS10B-X	Z DIODE			C306	NDC31HJ-560X	C CAPACITOR	56pF 50V J	
D551	UDZS10B-X	Z DIODE			C307	NDC31HJ-560X	C CAPACITOR	56pF 50V J	
D901	NRSA02J-0R0X	MG RESISTOR	0Ω 1/10W J		C308	NDC31HJ-560X	C CAPACITOR	56pF 50V J	
D902	1SS355-X	SI DIODE			C309	NCB31HK-103X	C CAPACITOR	0.01uF 50V K	
D903	PTZ11B-X	Z DIODE			C310	NCB31HK-103X	C CAPACITOR	0.01uF 50V K	
					C313	NCB31HK-103X	C CAPACITOR	0.01uF 50V K	
					C314	NCB31HK-103X	C CAPACITOR	0.01uF 50V K	
					C315	NCB31HK-103X	C CAPACITOR	0.01uF 50V K	

△Ref No.	Part No.	Part Name	Description	Local	△Ref No.	Part No.	Part Name	Description	Local
C316	NCB31HK-103X	C CAPACITOR	0.01uF 50V K		C865	NDC31HJ-560X	C CAPACITOR	56pF 50V J	
C317	NCB31HK-103X	C CAPACITOR	0.01uF 50V K		C866	NDC31HJ-560X	C CAPACITOR	56pF 50V J	
C318	NCB31HK-103X	C CAPACITOR	0.01uF 50V K		C868	NCB31HK-104X	C CAPACITOR	0.1uF 50V K	
C319	NEHL1CM-476X	E CAPACITOR	47uF 16V M		C869	NDC31HJ-560X	C CAPACITOR	56pF 50V J	
C320	NCB31CK-104X	C CAPACITOR	0.1uF 16V K		C870	NDC31HJ-560X	C CAPACITOR	56pF 50V J	
C321	NEHL1CM-106X	E CAPACITOR	10uF 16V M		C872	NCB31HK-104X	C CAPACITOR	0.1uF 50V K	
C322	NCF31CZ-104X	C CAPACITOR	0.1uF 16V Z		C873	NDC31HJ-330X	C CAPACITOR	33pF 50V J	
C323	NEX61CM-686X	E CAPACITOR	68uF 16V M		C874	NDC31HJ-150X	C CAPACITOR	15pF 50V J	
C324	NCB21CK-105X	C CAPACITOR	1uF 16V K		C875	NDC31HJ-100X	C CAPACITOR	10pF 50V J	
C325	NCB21CK-105X	C CAPACITOR	1uF 16V K		C876	NCB31HK-103X	C CAPACITOR	0.01uF 50V K	
C326	NCB21CK-105X	C CAPACITOR	1uF 16V K		C877	NCB31HK-103X	C CAPACITOR	0.01uF 50V K	
C327	NCB21CK-105X	C CAPACITOR	1uF 16V K		C878	NCB31HK-104X	C CAPACITOR	0.1uF 50V K	
C328	NCB21CK-105X	C CAPACITOR	1uF 16V K		C879	NCB31HK-104X	C CAPACITOR	0.1uF 50V K	
C329	NCB21CK-105X	C CAPACITOR	1uF 16V K		C880	NEHL1AM-107X	E CAPACITOR	100uF 10V M	
C330	NCB21CK-105X	C CAPACITOR	1uF 16V K		C881	NEHL1AM-107X	E CAPACITOR	100uF 10V M	
C341	NCB31HK-103X	C CAPACITOR	0.01uF 50V K		C882	NCB31HK-103X	C CAPACITOR	0.01uF 50V K	
C342	NCB31HK-103X	C CAPACITOR	0.01uF 50V K		C883	NCB31HK-103X	C CAPACITOR	0.01uF 50V K	
C343	NCB21CK-105X	C CAPACITOR	1uF 16V K		C884	NEHL1AM-107X	E CAPACITOR	100uF 10V M	
C346	NCB21CK-105X	C CAPACITOR	1uF 16V K		C885	NEHL1AM-107X	E CAPACITOR	100uF 10V M	
C349	NCB11AK-106X	C CAPACITOR	10uF 10V K		C886	NEHL1CM-106X	E CAPACITOR	10uF 16V M	
C372	NCF31CZ-104X	C CAPACITOR	0.1uF 16V Z		C887	NCB31HK-104X	C CAPACITOR	0.1uF 50V K	
C382	NCF31CZ-104X	C CAPACITOR	0.1uF 16V Z		C888	NEHL1AM-107X	E CAPACITOR	100uF 10V M	
C392	NCF31CZ-104X	C CAPACITOR	0.1uF 16V Z		C889	NEHL1CM-106X	E CAPACITOR	10uF 16V M	
C405	NCB11AK-475X	C CAPACITOR	4.7uF 10V K		C890	NEHL1CM-106X	E CAPACITOR	10uF 16V M	
C406	NCB11AK-475X	C CAPACITOR	4.7uF 10V K		C891	NEHL1CM-476X	E CAPACITOR	47uF 16V M	
C501	NEHL1CM-476X	E CAPACITOR	47uF 16V M		C892	NDC31HJ-180X	C CAPACITOR	18pF 50V J	
C502	NEHL1CM-476X	E CAPACITOR	47uF 16V M		C894	NDC31HJ-180X	C CAPACITOR	18pF 50V J	
C503	NENA1EM-106X	BP E CAPACITOR	10uF 25V M		C895	NDC31HJ-680X	C CAPACITOR	68pF 50V J	
C505	NENA1EM-106X	BP E CAPACITOR	10uF 25V M		C901	NEHM1HM-105X	E CAPACITOR	1uF 50V M	
C508	NCB31HK-103X	C CAPACITOR	0.01uF 50V K		C902	NCB31HK-103X	C CAPACITOR	0.01uF 50V K	
C509	NCB31HK-103X	C CAPACITOR	0.01uF 50V K		C903	NCB31CK-154X	C CAPACITOR	0.15uF 16V K	
C515	NCB21CK-105X	C CAPACITOR	1uF 16V K		C904	NCB11AK-106X	C CAPACITOR	10uF 10V K	
C516	NEHL1CM-106X	E CAPACITOR	10uF 16V M		C905	NEHL1AM-107X	E CAPACITOR	100uF 10V M	
C518	NEHL1AM-107X	E CAPACITOR	100uF 10V M		C906	NEHM1CM-476X	E CAPACITOR	47uF 16V M	
C519	NEHL1CM-106X	E CAPACITOR	10uF 16V M		C912	NEHM1EM-336X	E CAPACITOR	33uF 25V M	
C520	NCB21CK-105X	C CAPACITOR	1uF 16V K		C913	NEX51CM-335X	E CAPACITOR	3.3uF 16V M	
C521	NEHL1CM-106X	E CAPACITOR	10uF 16V M		C914	NEX50JM-156X	E CAPACITOR	15uF 6.3V M	
C522	NEHL1AM-107X	E CAPACITOR	100uF 10V M		C915	NEHM1EM-336X	E CAPACITOR	33uF 25V M	
C523	NCB21CK-105X	C CAPACITOR	1uF 16V K		C916	NEX50JM-156X	E CAPACITOR	15uF 6.3V M	
C711	NEHL1CM-106X	E CAPACITOR	10uF 16V M		C2001	NCB11AK-106X	C CAPACITOR	10uF 10V K	
C712	NCF31CZ-104X	C CAPACITOR	0.1uF 16V Z		C2005	NCB11CK-225X	C CAPACITOR	2.2uF 16V K	
C801	NCB31HK-104X	C CAPACITOR	0.1uF 50V K		C2006	NCB11CK-225X	C CAPACITOR	2.2uF 16V K	
C802	NCB31HK-104X	C CAPACITOR	0.1uF 50V K		C2008	NCB31HK-472X	C CAPACITOR	4700pF 50V K	
C803	NCB31HK-104X	C CAPACITOR	0.1uF 50V K		C2009	NCB31HK-472X	C CAPACITOR	4700pF 50V K	
C804	NEHL1CM-476X	E CAPACITOR	47uF 16V M		C2010	NCB31HK-472X	C CAPACITOR	4700pF 50V K	
C805	NCB31HK-103X	C CAPACITOR	0.01uF 50V K		C2011	NCB31HK-472X	C CAPACITOR	4700pF 50V K	
C806	NCB31HK-103X	C CAPACITOR	0.01uF 50V K		C2051	NCB11CK-225X	C CAPACITOR	2.2uF 16V K	
C807	NEHL1CM-476X	E CAPACITOR	47uF 16V M		C2052	NCB11CK-225X	C CAPACITOR	2.2uF 16V K	
C808	NCB31HK-103X	C CAPACITOR	0.01uF 50V K		C2053	NCB31CK-105X	C CAPACITOR	1uF 16V K	
C809	NCF11CZ-475X	C CAPACITOR	4.7uF 16V Z		C2101	NCB11AK-106X	C CAPACITOR	10uF 10V K	
C810	NCB31HK-104X	C CAPACITOR	0.1uF 50V K		C2105	NCB11CK-225X	C CAPACITOR	2.2uF 16V K	
C811	NCB31HK-104X	C CAPACITOR	0.1uF 50V K		C2106	NCB11CK-225X	C CAPACITOR	2.2uF 16V K	
C812	NCB31HK-104X	C CAPACITOR	0.1uF 50V K		C2107	NCB31HK-472X	C CAPACITOR	4700pF 50V K	
C813	NEHL1CM-476X	E CAPACITOR	47uF 16V M		C2108	NCB31HK-472X	C CAPACITOR	4700pF 50V K	
C814	NCB31HK-103X	C CAPACITOR	0.01uF 50V K		C2109	NCB31HK-472X	C CAPACITOR	4700pF 50V K	
C815	NCB31HK-104X	C CAPACITOR	0.1uF 50V K		C2110	NCB31HK-472X	C CAPACITOR	4700pF 50V K	
C816	NCB31HK-104X	C CAPACITOR	0.1uF 50V K		C2151	NCB11CK-225X	C CAPACITOR	2.2uF 16V K	
C817	NCB31HK-104X	C CAPACITOR	0.1uF 50V K		C2152	NCB11CK-225X	C CAPACITOR	2.2uF 16V K	
C818	NEHL1HM-106X	E CAPACITOR	10uF 50V M		C2153	NCB31CK-105X	C CAPACITOR	1uF 16V K	
C819	NDC31HJ-100X	C CAPACITOR	10pF 50V J		C2201	NCB31HK-103X	C CAPACITOR	0.01uF 50V K	
C820	NCB31AK-474X	C CAPACITOR	0.47uF 10V K		C2202	NCB11AK-106X	C CAPACITOR	10uF 10V K	
C821	NCB31HK-103X	C CAPACITOR	0.01uF 50V K		C2203	NCB11AK-106X	C CAPACITOR	10uF 10V K	
C822	NCB11CK-225X	C CAPACITOR	2.2uF 16V K		C2204	NCB11CK-225X	C CAPACITOR	2.2uF 16V K	
C823	NCB31HK-153X	C CAPACITOR	0.015uF 50V K		C2205	NCB11CK-225X	C CAPACITOR	2.2uF 16V K	
C824	NCB31HK-103X	C CAPACITOR	0.01uF 50V K		C2206	NCB31CK-105X	C CAPACITOR	1uF 16V K	
C825	NDC31HJ-180X	C CAPACITOR	18pF 50V J		C2207	NCB31HK-103X	C CAPACITOR	0.01uF 50V K	
C826	NEHL1EM-226X	E CAPACITOR	22uF 25V M		C2208	NCB31HK-103X	C CAPACITOR	0.01uF 50V K	
C827	NEHL0JM-107X	E CAPACITOR	100uF 6.3V M		C2301	NCB11AK-106X	C CAPACITOR	10uF 10V K	
C829	NCB31HK-104X	C CAPACITOR	0.1uF 50V K		C2302	NCB31CK-105X	C CAPACITOR	1uF 16V K	
C830	NCB31HK-104X	C CAPACITOR	0.1uF 50V K		C2303	NCB31CK-105X	C CAPACITOR	1uF 16V K	
C831	NCB31HK-104X	C CAPACITOR	0.1uF 50V K		C2306	NCB31HK-103X	C CAPACITOR	0.01uF 50V K	
C832	NCB31HK-104X	C CAPACITOR	0.1uF 50V K		C2307	NCB31CK-105X	C CAPACITOR	1uF 16V K	
C833	NCB31HK-104X	C CAPACITOR	0.1uF 50V K		C2308	NCB31HK-103X	C CAPACITOR	0.01uF 50V K	
C834	NCB31HK-104X	C CAPACITOR	0.1uF 50V K		C2309	NCB31CK-105X	C CAPACITOR	1uF 16V K	
C835	NCB31HK-103X	C CAPACITOR	0.01uF 50V K		C2310	NCB11CK-225X	C CAPACITOR	2.2uF 16V K	
C850	NDC31HJ-180X	C CAPACITOR	18pF 50V J		C2311	NCB11CK-225X	C CAPACITOR	2.2uF 16V K	
C851	NDC31HJ-560X	C CAPACITOR	56pF 50V J		C2401	NCB31HK-103X	C CAPACITOR	0.01uF 50V K	
C852	NDC31HJ-560X	C CAPACITOR	56pF 50V J		C2402	NCB31HK-103X	C CAPACITOR	0.01uF 50V K	
C853	NEHL1CM-476X	E CAPACITOR	47uF 16V M		C2451	NCB11CK-225X	C CAPACITOR	2.2uF 16V K	
C854	NCB31HK-104X	C CAPACITOR	0.1uF 50V K		C2452	NCB11CK-225X	C CAPACITOR	2.2uF 16V K	
C855	NCB31HK-103X	C CAPACITOR	0.01uF 50V K		C2453	NCB31CK-105X	C CAPACITOR	1uF 16V K	
C856	NCB31HK-103X	C CAPACITOR	0.01uF 50V K		C2601	NCB31CK-105X	C CAPACITOR	1uF 16V K	
C857	NCB31HK-103X	C CAPACITOR	0.01uF 50V K		C2602	NCB31CK-105X	C CAPACITOR	1uF 16V K	
C858	NCB31HK-103X	C CAPACITOR	0.01uF 50V K		C2603	NCB31CK-105X	C CAPACITOR	1uF 16V K	
C859	NCB31AK-474X	C CAPACITOR	0.47uF 10V K		C6001	NCF31AZ-105X	C CAPACITOR	1uF 10V Z	
C860	NCB31HK-103X	C CAPACITOR	0.01uF 50V K		C6002	NCF31AZ-105X	C CAPACITOR	1uF 10V Z	
C861	NDC31HJ-681X	C CAPACITOR	680pF 50V J		C6003	NEHL1AM-107X	E CAPACITOR	100uF 10V M	
C862	NCB31HK-104X	C CAPACITOR	0.1uF 50V K		C6004	NEHL1AM-107X	E CAPACITOR	100uF 10V M	
C863	NCB31HK-103X	C CAPACITOR	0.01uF 50V K		C6005	NEHL1HM-105X	E CAPACITOR	1uF 50V M	
C864	NCB31HK-103X	C CAPACITOR	0.01uF 50V K		C6006	NEHL1HM-105X	E CAPACITOR	1uF 50V M	

△Ref No.	Part No.	Part Name	Description	Local	△Ref No.	Part No.	Part Name	Description	Local
C6007	QETN1AM-108Z	E CAPACITOR	1000uF 10V M		C6677	NDC31HJ-561X	C CAPACITOR	560pF 50V J	
C6008	NEHL1HM-106X	E CAPACITOR	10uF 50V M		C6678	QFV21HJ-224Z	MF CAPACITOR	0.22uF 50V J	
C6009	NCF31AZ-105X	C CAPACITOR	1uF 10V Z		C6679	QFVF1HJ-474Z	MF CAPACITOR	0.47uF 50V J	
C6010	NDC31HJ-331X	C CAPACITOR	330pF 50V J		C6680	NCB31HK-153X	C CAPACITOR	0.015uF 50V K	
C6011	NDC31HJ-331X	C CAPACITOR	330pF 50V J		C6681	NDC31HJ-561X	C CAPACITOR	560pF 50V J	
C6201	NCB31HK-103X	C CAPACITOR	0.01uF 50V K		C6682	NCB31HK-104X	C CAPACITOR	0.1uF 50V K	
C6202	NEHL1EM-336X	E CAPACITOR	33uF 25V M		C6683	NCB31HK-104X	C CAPACITOR	0.1uF 50V K	
C6203	NEHL1EM-336X	E CAPACITOR	33uF 25V M		C6684	NCB31HK-104X	C CAPACITOR	0.1uF 50V K	
C6204	NCB31EK-104X	C CAPACITOR	0.1uF 25V K		C6685	QETN1EM-477Z	E CAPACITOR	470uF 25V M	
C6205	NCB31HK-103X	C CAPACITOR	0.01uF 50V K		C6687	QETN1EM-477Z	E CAPACITOR	470uF 25V M	
C6301	NENA1CM-475X	BP E CAPACITOR	4.7uF 16V M		C6688	NCB31HK-104X	C CAPACITOR	0.1uF 50V K	
C6302	NENA1CM-475X	BP E CAPACITOR	4.7uF 16V M		C6693	QETN1CM-477Z	E CAPACITOR	470uF 16V M	
C6421	NCB31CK-104X	C CAPACITOR	0.1uF 16V K		R201	NRSA63J-152X	MG RESISTOR	1.5kΩ 1/16W J	
C6431	NEHL1CM-476X	E CAPACITOR	47uF 16V M		R202	NRSA63J-103X	MG RESISTOR	10kΩ 1/16W J	
C6505	NEHL1EM-475X	E CAPACITOR	4.7uF 25V M		R203	NRSA63J-0R0X	MG RESISTOR	0Ω 1/16W J	
C6510	NEHL1EM-475X	E CAPACITOR	4.7uF 25V M		R204	NRSA63J-0R0X	MG RESISTOR	0Ω 1/16W J	
C6517	NDC31HJ-100X	C CAPACITOR	10pF 50V J		R206	NRSA63J-0R0X	MG RESISTOR	0Ω 1/16W J	
C6518	NDC31HJ-100X	C CAPACITOR	10pF 50V J		R208	NRSA63J-101X	MG RESISTOR	100Ω 1/16W J	
C6521	NEHL1EM-475X	E CAPACITOR	4.7uF 25V M		R209	NRSA63J-101X	MG RESISTOR	100Ω 1/16W J	
C6522	NCB31HK-332X	C CAPACITOR	330pF 50V K		R210	NRSA63J-0R0X	MG RESISTOR	0Ω 1/16W J	
C6523	NCB31HK-333X	C CAPACITOR	0.033uF 50V K		R211	NRSA63J-103X	MG RESISTOR	10kΩ 1/16W J	
C6525	NCB31HK-472X	C CAPACITOR	4700pF 50V K		R213	NRSA63J-0R0X	MG RESISTOR	0Ω 1/16W J	
C6526	NCB31CK-104X	C CAPACITOR	0.1uF 16V K		R214	NRSA63J-0R0X	MG RESISTOR	0Ω 1/16W J	
C6527	NEHL1EM-475X	E CAPACITOR	4.7uF 25V M		R215	NRSA63J-0R0X	MG RESISTOR	0Ω 1/16W J	
C6528	NEHL1EM-475X	E CAPACITOR	4.7uF 25V M		R216	NRSA63J-0R0X	MG RESISTOR	0Ω 1/16W J	
C6529	NCB31HK-332X	C CAPACITOR	3300pF 50V K		R217	NRSA63J-0R0X	MG RESISTOR	0Ω 1/16W J	
C6530	NCB31HK-333X	C CAPACITOR	0.033uF 50V K		R218	NRSA63J-0R0X	MG RESISTOR	0Ω 1/16W J	
C6532	NCB31HK-472X	C CAPACITOR	4700pF 50V K		R219	NRSA63J-0R0X	MG RESISTOR	0Ω 1/16W J	
C6533	NCB31CK-104X	C CAPACITOR	0.1uF 16V K		R220	NRSA63J-0R0X	MG RESISTOR	0Ω 1/16W J	
C6534	NEHL1EM-475X	E CAPACITOR	4.7uF 25V M		R232	NRS12BJ-151W	MG RESISTOR	150Ω 1/2W J	
C6535	NEHL1HM-105X	E CAPACITOR	1uF 50V M		R302	NRSA63J-0R0X	MG RESISTOR	0Ω 1/16W J	
C6536	NCB31CK-104X	C CAPACITOR	0.1uF 16V K		R303	NRSA63J-0R0X	MG RESISTOR	0Ω 1/16W J	
C6537	NEHL1EM-475X	E CAPACITOR	4.7uF 25V M		R334	NRSA63J-222X	MG RESISTOR	2.2kΩ 1/16W J	
C6538	NEHL1EM-475X	E CAPACITOR	4.7uF 25V M		R335	NRSA63J-222X	MG RESISTOR	2.2kΩ 1/16W J	
C6539	NCB31CK-104X	C CAPACITOR	0.1uF 16V K		R336	NRSA63J-562X	MG RESISTOR	5.6kΩ 1/16W J	
C6540	NEHL1EM-475X	E CAPACITOR	4.7uF 25V M		R372	NRSA63J-101X	MG RESISTOR	100Ω 1/16W J	
C6541	NEHL1EM-475X	E CAPACITOR	4.7uF 25V M		R374	NRSA63J-471X	MG RESISTOR	470Ω 1/16W J	
C6542	NEHL1EM-475X	E CAPACITOR	4.7uF 25V M		R375	NRSA63J-680X	MG RESISTOR	68Ω 1/16W J	
C6543	NEHL1CM-476X	E CAPACITOR	47uF 16V M		R382	NRSA63J-101X	MG RESISTOR	100Ω 1/16W J	
C6544	NEHL1HM-105X	E CAPACITOR	1uF 50V M		R384	NRSA63J-471X	MG RESISTOR	470Ω 1/16W J	
C6545	NCB31HK-103X	C CAPACITOR	0.01uF 50V K		R385	NRSA63J-680X	MG RESISTOR	68Ω 1/16W J	
C6546	NCB31HK-103X	C CAPACITOR	0.01uF 50V K		R392	NRSA63J-101X	MG RESISTOR	100Ω 1/16W J	
C6551	NEHL1HM-105X	E CAPACITOR	1uF 50V M		R394	NRSA63J-471X	MG RESISTOR	470Ω 1/16W J	
C6552	NEHL1HM-105X	E CAPACITOR	1uF 50V M		R395	NRSA63J-680X	MG RESISTOR	68Ω 1/16W J	
C6553	NCB31CK-104X	C CAPACITOR	0.1uF 16V K		R402	NRSA63J-103X	MG RESISTOR	10kΩ 1/16W J	
C6554	NCB31CK-104X	C CAPACITOR	0.1uF 16V K		R403	NRSA63J-103X	MG RESISTOR	10kΩ 1/16W J	
C6555	NCB31CK-104X	C CAPACITOR	0.1uF 16V K		R409	NRSA63J-222X	MG RESISTOR	2.2kΩ 1/16W J	
C6556	NCB31CK-104X	C CAPACITOR	0.1uF 16V K		R410	NRSA63J-332X	MG RESISTOR	3.3kΩ 1/16W J	
C6557	NEHL1CM-476X	E CAPACITOR	47uF 16V M		R501	NRSA63J-221X	MG RESISTOR	220Ω 1/16W J	
C6559	NEHL1CM-476X	E CAPACITOR	47uF 16V M		R502	NRSA63J-682X	MG RESISTOR	6.8kΩ 1/16W J	
C6561	NEHL1HM-105X	E CAPACITOR	1uF 50V M		R503	NRSA63J-221X	MG RESISTOR	220Ω 1/16W J	
C6562	NEHL1HM-225X	E CAPACITOR	2.2uF 50V M		R504	NRSA63J-682X	MG RESISTOR	6.8kΩ 1/16W J	
C6563	NCB31EK-104X	C CAPACITOR	0.1uF 25V K		R505	NRSA63J-221X	MG RESISTOR	220Ω 1/16W J	
C6564	NCB31EK-104X	C CAPACITOR	0.1uF 25V K		R508	NRSA63J-221X	MG RESISTOR	220Ω 1/16W J	
C6567	NCB11EK-105X	C CAPACITOR	1uF 25V K		R509	NRSA63J-682X	MG RESISTOR	6.8kΩ 1/16W J	
C6568	NCB11EK-105X	C CAPACITOR	1uF 25V K		R510	NRSA63J-221X	MG RESISTOR	220Ω 1/16W J	
C6585	NEHL1CM-106X	E CAPACITOR	10uF 16V M		R511	NRSA63J-682X	MG RESISTOR	6.8kΩ 1/16W J	
C6586	NEHL1CM-106X	E CAPACITOR	10uF 16V M		R512	NRSA63J-221X	MG RESISTOR	220Ω 1/16W J	
C6601	NDC31HJ-101X	C CAPACITOR	100pF 50V J		R513	NRSA63J-221X	MG RESISTOR	220Ω 1/16W J	
C6602	NDC31HJ-101X	C CAPACITOR	100pF 50V J		R514	NRSA63J-682X	MG RESISTOR	6.8kΩ 1/16W J	
C6605	NEHL1CM-476X	E CAPACITOR	47uF 16V M		R516	NRSA63J-221X	MG RESISTOR	220Ω 1/16W J	
C6606	NEHL1CM-476X	E CAPACITOR	47uF 16V M		R517	NRSA63J-682X	MG RESISTOR	6.8kΩ 1/16W J	
C6621	NCB31HK-332X	C CAPACITOR	3300pF 50V K		R518	NRSA63J-221X	MG RESISTOR	220Ω 1/16W J	
C6622	NCB31EK-104X	C CAPACITOR	0.1uF 25V K		R520	NRSA63J-221X	MG RESISTOR	220Ω 1/16W J	
C6623	NEHL1EM-226X	E CAPACITOR	22uF 25V M		R521	NRSA63J-682X	MG RESISTOR	6.8kΩ 1/16W J	
C6624	NCB31HK-222X	C CAPACITOR	2200pF 50V K		R522	NRSA63J-221X	MG RESISTOR	220Ω 1/16W J	
C6625	NCB31EK-104X	C CAPACITOR	0.1uF 25V K		R523	NRSA63J-682X	MG RESISTOR	6.8kΩ 1/16W J	
C6626	NCB31HK-222X	C CAPACITOR	2200pF 50V K		R524	NRSA63J-221X	MG RESISTOR	220Ω 1/16W J	
C6627	NCB31EK-104X	C CAPACITOR	0.1uF 25V K		R527	NRSA63J-682X	MG RESISTOR	6.8kΩ 1/16W J	
C6628	NEHL1EM-226X	E CAPACITOR	22uF 25V M		R529	NRSA63J-682X	MG RESISTOR	6.8kΩ 1/16W J	
C6629	NCB31HK-222X	C CAPACITOR	2200pF 50V K		R530	NRSA63J-221X	MG RESISTOR	220Ω 1/16W J	
C6630	NCB31EK-104X	C CAPACITOR	0.1uF 25V K		R531	NRSA63J-221X	MG RESISTOR	220Ω 1/16W J	
C6631	NCB31HK-222X	C CAPACITOR	2200pF 50V K		R534	NRSA63J-102X	MG RESISTOR	1kΩ 1/16W J	
C6632	NCB31HK-332X	C CAPACITOR	3300pF 50V K		R538	NRSA63J-183X	MG RESISTOR	18kΩ 1/16W J	
C6661	NCB11EK-105X	C CAPACITOR	1uF 25V K		R539	NRSA63J-0R0X	MG RESISTOR	0Ω 1/16W J	
C6662	NCB11EK-105X	C CAPACITOR	1uF 25V K		R540	NRSA63J-183X	MG RESISTOR	18kΩ 1/16W J	
C6663	NCB31HK-104X	C CAPACITOR	0.1uF 50V K		R541	NRSA63J-0R0X	MG RESISTOR	0Ω 1/16W J	
C6664	QETN1HM-226Z	E CAPACITOR	22uF 50V M		R542	NRSA63J-101X	MG RESISTOR	100Ω 1/16W J	
C6665	NCB31HK-104X	C CAPACITOR	0.1uF 50V K		R543	NRSA63J-822X	MG RESISTOR	8.2kΩ 1/16W J	
C6666	QETN1HM-226Z	E CAPACITOR	22uF 50V M		R544	NRSA63J-153X	MG RESISTOR	15kΩ 1/16W J	
C6667	NCB31HK-104X	C CAPACITOR	0.1uF 50V K		R545	NRSA63J-123X	MG RESISTOR	12kΩ 1/16W J	
C6668	NDC31HJ-561X	C CAPACITOR	560pF 50V J		R552	NRSA63J-822X	MG RESISTOR	8.2kΩ 1/16W J	
C6669	QFV21HJ-224Z	MF CAPACITOR	0.22uF 50V J		R553	NRSA63J-153X	MG RESISTOR	15kΩ 1/16W J	
C6670	QFVF1HJ-474Z	MF CAPACITOR	0.47uF 50V J		R554	NRSA63J-123X	MG RESISTOR	12kΩ 1/16W J	
C6671	NCB31HK-153X	C CAPACITOR	0.015uF 50V K		R556	NRSA63J-101X	MG RESISTOR	100Ω 1/16W J	
C6672	QETN1EM-477Z	E CAPACITOR	470uF 25V M		R572	NRSA63J-0R0X	MG RESISTOR	0Ω 1/16W J	
C6673	NCB31HK-104X	C CAPACITOR	0.1uF 50V K		R573	NRSA63J-0R0X	MG RESISTOR	0Ω 1/16W J	
C6674	QETN1EM-477Z	E CAPACITOR	470uF 25V M		R575	NRSA63J-562X	MG RESISTOR	5.6kΩ 1/16W J	
C6675	NCB31HK-104X	C CAPACITOR	0.1uF 50V K		R576	NRSA63J-222X	MG RESISTOR	2.2kΩ 1/16W J	
C6676	NDC31HJ-561X	C CAPACITOR	560pF 50V J						

△Ref No.	Part No.	Part Name	Description	Local	△Ref No.	Part No.	Part Name	Description	Local
R577	NRSA63J-222X	MG RESISTOR	2.2kΩ	1/16W J	R917	NRSA02J-0R0X	MG RESISTOR	0Ω	1/10W J
R578	NRSA63J-562X	MG RESISTOR	5.6kΩ	1/16W J	R2001	NRSA63J-750X	MG RESISTOR	75Ω	1/16W J
R590	NRSA63J-222X	MG RESISTOR	2.2kΩ	1/16W J	R2002	NRSA63J-750X	MG RESISTOR	75Ω	1/16W J
R711	NRSA63J-0R0X	MG RESISTOR	0Ω	1/16W J	R2003	NRSA63J-750X	MG RESISTOR	75Ω	1/16W J
R713	NRSA63J-101X	MG RESISTOR	100Ω	1/16W J	R2004	NRSA63J-750X	MG RESISTOR	75Ω	1/16W J
R714	NRSA63J-0R0X	MG RESISTOR	0Ω	1/16W J	R2005	NRSA63J-750X	MG RESISTOR	75Ω	1/16W J
R715	NRSA63J-101X	MG RESISTOR	100Ω	1/16W J	R2006	NRSA63J-680X	MG RESISTOR	68Ω	1/16W J
R716	NRSA63J-101X	MG RESISTOR	100Ω	1/16W J	R2051	NRSA63J-223X	MG RESISTOR	22kΩ	1/16W J
R717	NRSA63J-103X	MG RESISTOR	10kΩ	1/16W J	R2052	NRSA63J-391X	MG RESISTOR	390Ω	1/16W J
R718	NRSA63J-101X	MG RESISTOR	100Ω	1/16W J	R2053	NRSA63J-471X	MG RESISTOR	470Ω	1/16W J
R719	NRSA63J-103X	MG RESISTOR	10kΩ	1/16W J	R2054	NRSA63J-223X	MG RESISTOR	22kΩ	1/16W J
R720	NRSA63J-101X	MG RESISTOR	100Ω	1/16W J	R2055	NRSA63J-391X	MG RESISTOR	390Ω	1/16W J
R721	NRSA63J-0R0X	MG RESISTOR	0Ω	1/16W J	R2056	NRSA63J-471X	MG RESISTOR	470Ω	1/16W J
R722	NRSA63J-102X	MG RESISTOR	1kΩ	1/16W J	R2057	NRSA63J-332X	MG RESISTOR	3.3kΩ	1/16W J
R724	NRSA63J-0R0X	MG RESISTOR	0Ω	1/16W J	R2058	NRSA63J-393X	MG RESISTOR	39kΩ	1/16W J
R801	NRSA63J-222X	MG RESISTOR	2.2kΩ	1/16W J	R2101	NRSA63J-750X	MG RESISTOR	75Ω	1/16W J
R802	NRSA63J-222X	MG RESISTOR	2.2kΩ	1/16W J	R2102	NRSA63J-750X	MG RESISTOR	75Ω	1/16W J
R803	NRSA63J-332X	MG RESISTOR	3.3kΩ	1/16W J	R2103	NRSA63J-750X	MG RESISTOR	75Ω	1/16W J
R804	NRSA63J-222X	MG RESISTOR	2.2kΩ	1/16W J	R2104	NRSA63J-750X	MG RESISTOR	75Ω	1/16W J
R805	NRSA63J-222X	MG RESISTOR	2.2kΩ	1/16W J	R2105	NRSA63J-750X	MG RESISTOR	75Ω	1/16W J
R806	NRSA63J-332X	MG RESISTOR	3.3kΩ	1/16W J	R2106	NRSA63J-0R0X	MG RESISTOR	0Ω	1/16W J
R807	NRSA63J-752X	MG RESISTOR	7.5kΩ	1/16W J	R2151	NRSA63J-222X	MG RESISTOR	2.2kΩ	1/16W J
R808	NRSA63J-101X	MG RESISTOR	100Ω	1/16W J	R2152	NRSA63J-680X	MG RESISTOR	68Ω	1/16W J
R809	NRSA63J-101X	MG RESISTOR	100Ω	1/16W J	R2153	NRSA63J-223X	MG RESISTOR	22kΩ	1/16W J
R810	NRSA63J-152X	MG RESISTOR	1.5kΩ	1/16W J	R2154	NRSA63J-391X	MG RESISTOR	390Ω	1/16W J
R811	NRSA63J-152X	MG RESISTOR	1.5kΩ	1/16W J	R2155	NRSA63J-471X	MG RESISTOR	470Ω	1/16W J
R812	NRSA63J-152X	MG RESISTOR	1.5kΩ	1/16W J	R2156	NRSA63J-223X	MG RESISTOR	22kΩ	1/16W J
R813	NRSA63J-152X	MG RESISTOR	1.5kΩ	1/16W J	R2157	NRSA63J-391X	MG RESISTOR	390Ω	1/16W J
R814	NRSA63J-152X	MG RESISTOR	1.5kΩ	1/16W J	R2158	NRSA63J-471X	MG RESISTOR	470Ω	1/16W J
R815	NRSA63J-152X	MG RESISTOR	1.5kΩ	1/16W J	R2159	NRSA63J-102X	MG RESISTOR	1kΩ	1/16W J
R816	NRSA63J-273X	MG RESISTOR	27kΩ	1/16W J	R2160	NRSA63J-393X	MG RESISTOR	39kΩ	1/16W J
R817	NRSA63J-103X	MG RESISTOR	10kΩ	1/16W J	R2161	NRSA63J-0R0X	MG RESISTOR	0Ω	1/16W J
R818	NRSA63J-332X	MG RESISTOR	3.3kΩ	1/16W J	R2163	NRSA63J-0R0X	MG RESISTOR	0Ω	1/16W J
R819	NRSA63J-103X	MG RESISTOR	10kΩ	1/16W J	R2171	NRSA63J-103X	MG RESISTOR	10kΩ	1/16W J
R820	NRSA63J-154X	MG RESISTOR	150kΩ	1/16W J	R2172	NRSA63J-103X	MG RESISTOR	10kΩ	1/16W J
R821	NRSA63J-181X	MG RESISTOR	180Ω	1/16W J	R2173	NRSA63J-103X	MG RESISTOR	10kΩ	1/16W J
R822	NRSA63J-154X	MG RESISTOR	150kΩ	1/16W J	R2201	NRSA63J-750X	MG RESISTOR	75Ω	1/16W J
R823	NRSA63J-154X	MG RESISTOR	150kΩ	1/16W J	R2202	NRSA63J-750X	MG RESISTOR	75Ω	1/16W J
R824	NRSA63J-181X	MG RESISTOR	180Ω	1/16W J	R2203	NRSA63J-750X	MG RESISTOR	75Ω	1/16W J
R825	NRSA63J-154X	MG RESISTOR	150kΩ	1/16W J	R2204	NRSA63J-224X	MG RESISTOR	220kΩ	1/16W J
R826	NRSA63J-154X	MG RESISTOR	150kΩ	1/16W J	R2205	NRSA63J-224X	MG RESISTOR	220kΩ	1/16W J
R827	NRSA63J-181X	MG RESISTOR	180Ω	1/16W J	R2301	NRSA63J-750X	MG RESISTOR	75Ω	1/16W J
R828	NRSA63J-154X	MG RESISTOR	150kΩ	1/16W J	R2302	NRSA63J-750X	MG RESISTOR	75Ω	1/16W J
R829	NRSA63J-154X	MG RESISTOR	150kΩ	1/16W J	R2303	NRSA63J-750X	MG RESISTOR	75Ω	1/16W J
R830	NRSA63J-181X	MG RESISTOR	180Ω	1/16W J	R2304	NRSA63J-224X	MG RESISTOR	220kΩ	1/16W J
R831	NRSA63J-154X	MG RESISTOR	150kΩ	1/16W J	R2305	NRSA63J-224X	MG RESISTOR	220kΩ	1/16W J
R832	NRSA63J-154X	MG RESISTOR	150kΩ	1/16W J	R2401	NRSA63J-0R0X	MG RESISTOR	0Ω	1/16W J
R833	NRSA63J-181X	MG RESISTOR	180Ω	1/16W J	R2402	NRSA63J-0R0X	MG RESISTOR	0Ω	1/16W J
R834	NRSA63J-154X	MG RESISTOR	150kΩ	1/16W J	R2451	NRSA63J-223X	MG RESISTOR	22kΩ	1/16W J
R835	NRSA63J-154X	MG RESISTOR	150kΩ	1/16W J	R2452	NRSA63J-391X	MG RESISTOR	390Ω	1/16W J
R836	NRSA63J-181X	MG RESISTOR	180Ω	1/16W J	R2453	NRSA63J-471X	MG RESISTOR	470Ω	1/16W J
R837	NRSA63J-154X	MG RESISTOR	150kΩ	1/16W J	R2454	NRSA63J-223X	MG RESISTOR	22kΩ	1/16W J
R838	NRSA63J-0R0X	MG RESISTOR	0Ω	1/16W J	R2455	NRSA63J-391X	MG RESISTOR	390Ω	1/16W J
R839	NRSA63J-222X	MG RESISTOR	2.2kΩ	1/16W J	R2456	NRSA63J-471X	MG RESISTOR	470Ω	1/16W J
R840	NRSA63J-101X	MG RESISTOR	100Ω	1/16W J	R2457	NRSA63J-332X	MG RESISTOR	3.3kΩ	1/16W J
R851	NRSA63J-391X	MG RESISTOR	390Ω	1/16W J	R2458	NRSA63J-393X	MG RESISTOR	39kΩ	1/16W J
R852	NRSA63J-391X	MG RESISTOR	390Ω	1/16W J	R2601	NRSA63J-750X	MG RESISTOR	75Ω	1/16W J
R853	NRSA63J-183X	MG RESISTOR	18kΩ	1/16W J	R2602	NRSA63J-750X	MG RESISTOR	75Ω	1/16W J
R854	NRSA63J-822X	MG RESISTOR	8.2kΩ	1/16W J	R2603	NRSA63J-750X	MG RESISTOR	75Ω	1/16W J
R855	NRSA63J-682X	MG RESISTOR	6.8kΩ	1/16W J	R2604	NRSA63J-331X	MG RESISTOR	330Ω	1/16W J
R856	NRSA63J-105X	MG RESISTOR	1MΩ	1/16W J	R2605	NRSA63J-331X	MG RESISTOR	330Ω	1/16W J
R859	NRSA63J-821X	MG RESISTOR	820Ω	1/16W J	R2606	NRSA63J-0R0X	MG RESISTOR	0Ω	1/16W J
R860	NRSA63J-101X	MG RESISTOR	100Ω	1/16W J	R6001	NRSA63J-223X	MG RESISTOR	22kΩ	1/16W J
R861	NRSA63J-101X	MG RESISTOR	100Ω	1/16W J	R6002	NRSA63J-223X	MG RESISTOR	22kΩ	1/16W J
R862	NRSA63J-331X	MG RESISTOR	330Ω	1/16W J	R6003	NRSA63J-101X	MG RESISTOR	100Ω	1/16W J
R863	NRSA63J-821X	MG RESISTOR	820Ω	1/16W J	R6004	NRSA63J-682X	MG RESISTOR	6.8kΩ	1/16W J
R864	NRSA63J-391X	MG RESISTOR	390Ω	1/16W J	R6005	NRSA63J-223X	MG RESISTOR	22kΩ	1/16W J
R865	NRSA63J-391X	MG RESISTOR	390Ω	1/16W J	R6006	QRL039J-330	OMF RESISTOR	33Ω	3W J
R866	NRSA63J-0R0X	MG RESISTOR	0Ω	1/16W J	R6007	NRSA63J-0R0X	MG RESISTOR	0Ω	1/16W J
R867	NRSA63J-0R0X	MG RESISTOR	0Ω	1/16W J	R6008	NRSA63J-0R0X	MG RESISTOR	0Ω	1/16W J
R869	NRSA63J-562X	MG RESISTOR	5.6kΩ	1/16W J	R6201	NRSA63J-562X	MG RESISTOR	5.6kΩ	1/16W J
R873	NRSA63J-821X	MG RESISTOR	820Ω	1/16W J	R6202	NRSA63J-182X	MG RESISTOR	1.8kΩ	1/16W J
R874	NRSA63J-391X	MG RESISTOR	390Ω	1/16W J	R6203	NRSA63J-183X	MG RESISTOR	18kΩ	1/16W J
R876	NRSA63J-0R0X	MG RESISTOR	0Ω	1/16W J	R6204	NRSA63J-562X	MG RESISTOR	5.6kΩ	1/16W J
R877	NRSA63J-821X	MG RESISTOR	820Ω	1/16W J	R6205	NRSA63J-473X	MG RESISTOR	47kΩ	1/16W J
R879	NRSA63J-562X	MG RESISTOR	5.6kΩ	1/16W J	R6301	NRSA63J-0R0X	MG RESISTOR	0Ω	1/16W J
R883	NRSA63J-471X	MG RESISTOR	470Ω	1/16W J	R6302	NRSA63J-0R0X	MG RESISTOR	0Ω	1/16W J
R884	NRSA63J-152X	MG RESISTOR	1.5kΩ	1/16W J	R6303	NRSA63J-103X	MG RESISTOR	10kΩ	1/16W J
R885	NRSA63J-123X	MG RESISTOR	12kΩ	1/16W J	R6304	NRSA63J-103X	MG RESISTOR	10kΩ	1/16W J
R886	NRSA63J-562X	MG RESISTOR	5.6kΩ	1/16W J	R6305	NRSA63J-102X	MG RESISTOR	1kΩ	1/16W J
R887	NRSA63J-102X	MG RESISTOR	1kΩ	1/16W J	R6306	NRSA63J-101X	MG RESISTOR	100Ω	1/16W J
R888	NRSA63J-102X	MG RESISTOR	1kΩ	1/16W J	R6307	NRSA63J-103X	MG RESISTOR	10kΩ	1/16W J
R889	NRSA63J-102X	MG RESISTOR	1kΩ	1/16W J	R6308	NRSA63J-103X	MG RESISTOR	10kΩ	1/16W J
R893	NRSA63J-682X	MG RESISTOR	6.8kΩ	1/16W J	R6309	NRSA63J-102X	MG RESISTOR	1kΩ	1/16W J
R901	NRSA63J-682X	MG RESISTOR	6.8kΩ	1/16W J	R6310	NRSA63J-101X	MG RESISTOR	100Ω	1/16W J
R902	NRSA63J-182X	MG RESISTOR	1.8kΩ	1/16W J	R6409	NRSA63J-103X	MG RESISTOR	10kΩ	1/16W J
R903	NRSA63J-152X	MG RESISTOR	1.5kΩ	1/16W J	R6423	NRSA63J-332X	MG RESISTOR	3.3kΩ	1/16W J
R904	NRSA63J-223X	MG RESISTOR	22kΩ	1/16W J	R6424	NRSA63J-222X	MG RESISTOR	2.2kΩ	1/16W J
R907	NRS12BJ-0R0W	MG RESISTOR	0Ω	1/2W J	R6425	NRSA63J-222X	MG RESISTOR	2.2kΩ	1/16W J
R908	NRS12BJ-471W	MG RESISTOR	470Ω	1/2W J	R6431	NRSA63J-563X	MG RESISTOR	56kΩ	1/16W J

△Ref No.	Part No.	Part Name	Description	Local	△Ref No.	Part No.	Part Name	Description	Local
R6432	NRSA63J-333X	MG RESISTOR	33kΩ 1/16W J		RB802	NRSA63J-0R0X	MG RESISTOR	0Ω 1/16W J	
R6515	NRSA63J-152X	MG RESISTOR	1.5kΩ 1/16W J		L807	NQR0499-001X	FERRITE BEADS		
R6516	NRSA63J-183X	MG RESISTOR	18kΩ 1/16W J		L808	NQR0499-001X	FERRITE BEADS		
R6517	NRSA63J-103X	MG RESISTOR	10kΩ 1/16W J		L809	NQR0499-001X	FERRITE BEADS		
R6518	NRSA63J-183X	MG RESISTOR	18kΩ 1/16W J		L851	NQL092K-6R8X	P COIL	6.8uH K	
R6519	NRSA63J-152X	MG RESISTOR	1.5kΩ 1/16W J		L852	NQL092K-6R8X	P COIL	6.8uH K	
R6520	NRSA63J-103X	MG RESISTOR	10kΩ 1/16W J		L853	NQL092K-6R8X	P COIL	6.8uH K	
R6521	NRSA63J-222X	MG RESISTOR	2.2kΩ 1/16W J		L854	NQL092M-270X	P COIL	27uH M	
R6522	NRSA63J-222X	MG RESISTOR	2.2kΩ 1/16W J		L855	NQL904J-560X	COIL	56uH J	
R6523	NRSA63J-333X	MG RESISTOR	33kΩ 1/16W J		L861	NQL914K-220X	COIL	22uH K	
R6524	NRSA63J-222X	MG RESISTOR	2.2kΩ 1/16W J		L862	NQL914K-101X	COIL	100uH K	
R6525	NRSA63J-222X	MG RESISTOR	2.2kΩ 1/16W J		L863	NQL914K-101X	COIL	100uH K	
R6526	NRSA63J-333X	MG RESISTOR	33kΩ 1/16W J		L864	NQL914K-101X	COIL	100uH K	
R6527	NRSA63J-222X	MG RESISTOR	2.2kΩ 1/16W J		L865	NQL914K-220X	COIL	22uH K	
R6528	NRSA63J-222X	MG RESISTOR	2.2kΩ 1/16W J		L866	NQL914K-220X	COIL	22uH K	
R6529	NRSA63J-333X	MG RESISTOR	33kΩ 1/16W J		L867	NQL914K-220X	COIL	22uH K	
R6530	NRSA63J-222X	MG RESISTOR	2.2kΩ 1/16W J		L902	NQL52EM-220X	COIL	22uH M	
R6531	NRSA63J-222X	MG RESISTOR	2.2kΩ 1/16W J		L903	NQL52EM-220X	COIL	22uH M	
R6532	NRSA63J-333X	MG RESISTOR	33kΩ 1/16W J		L904	NQL52EM-220X	COIL	22uH M	
R6533	NRSA63J-103X	MG RESISTOR	10kΩ 1/16W J		L6661	QQL28AK-560	COIL	56uH K	
R6534	NRSA63J-103X	MG RESISTOR	10kΩ 1/16W J		L6662	QQL28AK-560	COIL	56uH K	
R6535	NRSA63J-103X	MG RESISTOR	10kΩ 1/16W J		CN000H	QGF1201C2-21	CONNECTOR	FFC/FPC (1-21)	
R6536	NRSA63J-101X	MG RESISTOR	100Ω 1/16W J		CN0011	QGF0508F1-50X	CONNECTOR	FFC/FPC (1-50)	
R6537	NRSA63J-101X	MG RESISTOR	100Ω 1/16W J		CN0012	QGF0508F1-50X	CONNECTOR	FFC/FPC (1-50)	
R6538	NRSA63J-101X	MG RESISTOR	100Ω 1/16W J		J2001	QNZ0463-001	21P CONNECTOR	EXT-1	
R6539	NRSA63J-101X	MG RESISTOR	100Ω 1/16W J		J2002	QNZ0463-001	21P CONNECTOR	EXT-2	
R6540	NRSA63J-103X	MG RESISTOR	10kΩ 1/16W J		J2003	QNZ0726-001	AV JACK	EXT-3	
R6541	NRSA63J-222X	MG RESISTOR	2.2kΩ 1/16W J		J2004	QNN0650-001	PIN JACK	EXT-4	
R6542	NRSA63J-103X	MG RESISTOR	10kΩ 1/16W J		J2005	QNN0649-001	PIN JACK	AUDIO IN/OUT	
R6543	NRSA63J-222X	MG RESISTOR	2.2kΩ 1/16W J		J2007	QNZ0561-001	D CONNECTOR	RGB IN	
R6551	NRSA63J-153X	MG RESISTOR	15kΩ 1/16W J		K6601	NQR0499-002X	FERRITE BEADS		
R6552	NRSA63J-332X	MG RESISTOR	3.3kΩ 1/16W J		K6602	NQR0499-002X	FERRITE BEADS		
R6553	NRSA63J-104X	MG RESISTOR	100kΩ 1/16W J		K6661	NQR0499-002X	FERRITE BEADS		
R6554	NRSA63J-153X	MG RESISTOR	15kΩ 1/16W J		K6662	NQR0499-002X	FERRITE BEADS		
R6555	NRSA63J-332X	MG RESISTOR	3.3kΩ 1/16W J		K6663	NQR0499-002X	FERRITE BEADS		
R6556	NRSA63J-104X	MG RESISTOR	100kΩ 1/16W J		K6664	NQR0499-002X	FERRITE BEADS		
R6557	NRSA63J-561X	MG RESISTOR	560Ω 1/16W J		△TH6661	NAD0035-471X	P THERMISTOR	470Ω	
R6558	NRSA63J-224X	MG RESISTOR	220kΩ 1/16W J		X201	NAX0787-001X	CRYSTAL		
R6559	NRSA63J-561X	MG RESISTOR	560Ω 1/16W J		X801	NAX0621-001X	CRYSTAL	16.200MHz	
R6560	NRSA63J-224X	MG RESISTOR	220kΩ 1/16W J						
R6561	NRSA63J-224X	MG RESISTOR	220kΩ 1/16W J						
R6562	NRSA63J-0R0X	MG RESISTOR	0Ω 1/16W J						
R6563	NRSA63J-124X	MG RESISTOR	120kΩ 1/16W J						
R6564	NRSA63J-0R0X	MG RESISTOR	0Ω 1/16W J						
R6565	NRSA63J-823X	MG RESISTOR	82kΩ 1/16W J						
R6566	NRSA63J-183X	MG RESISTOR	18kΩ 1/16W J						
R6567	NRSA63J-392X	MG RESISTOR	3.9kΩ 1/16W J						
R6568	NRSA63J-183X	MG RESISTOR	18kΩ 1/16W J						
R6569	NRSA63J-392X	MG RESISTOR	3.9kΩ 1/16W J						
R6601	NRSA63J-102X	MG RESISTOR	1kΩ 1/16W J						
R6602	NRSA63J-333X	MG RESISTOR	33kΩ 1/16W J						
R6603	NRSA63J-0R0X	MG RESISTOR	0Ω 1/16W J						
R6604	NRSA63J-102X	MG RESISTOR	1kΩ 1/16W J						
R6605	NRSA63J-823X	MG RESISTOR	82kΩ 1/16W J						
R6606	NRSA63J-333X	MG RESISTOR	33kΩ 1/16W J						
R6607	NRSA63J-0R0X	MG RESISTOR	0Ω 1/16W J						
R6617	NRSA63J-562X	MG RESISTOR	5.6kΩ 1/16W J						
R6621	NRSA63J-101X	MG RESISTOR	100Ω 1/16W J						
R6622	NRSA63J-103X	MG RESISTOR	10kΩ 1/16W J						
R6623	NRSA63J-392X	MG RESISTOR	3.9kΩ 1/16W J						
R6624	QRJ146J-102X	UNF C RESISTOR	1kΩ 1/4W J						
R6625	NRSA63J-102X	MG RESISTOR	1kΩ 1/16W J						
R6626	NRSA63J-152X	MG RESISTOR	1.5kΩ 1/16W J						
R6627	NRSA63J-104X	MG RESISTOR	100kΩ 1/16W J						
R6629	NRSA63J-104X	MG RESISTOR	100kΩ 1/16W J						
R6630	NRSA63J-152X	MG RESISTOR	1.5kΩ 1/16W J						
R6631	NRSA63J-102X	MG RESISTOR	1kΩ 1/16W J						
R6632	NRSA63J-392X	MG RESISTOR	3.9kΩ 1/16W J						
R6633	NRSA63J-151X	MG RESISTOR	150Ω 1/16W J						
R6634	NRSA63J-103X	MG RESISTOR	10kΩ 1/16W J						
R6661	NRSA63J-102X	MG RESISTOR	1kΩ 1/16W J						
R6662	NRSA63J-102X	MG RESISTOR	1kΩ 1/16W J						
R6663	NRSA63J-393X	MG RESISTOR	39kΩ 1/16W J						
R6664	NRSA63J-0R0X	MG RESISTOR	0Ω 1/16W J						
R6665	NRSA63J-393X	MG RESISTOR	39kΩ 1/16W J						
R6666	QRK126J-5R6X	UNF C RESISTOR	5.6Ω 1/2W J						
R6667	QRK126J-220X	UNF C RESISTOR	22Ω 1/2W J						
R6668	QRK126J-5R6X	UNF C RESISTOR	5.6Ω 1/2W J						
R6669	QRK126J-220X	UNF C RESISTOR	22Ω 1/2W J						
R6670	NRSA63J-153X	MG RESISTOR	15kΩ 1/16W J						
R6671	NRSA63J-103X	MG RESISTOR	10kΩ 1/16W J						
R6673	NRSA63J-222X	MG RESISTOR	2.2kΩ 1/16W J						
R6674	NRSA63J-102X	MG RESISTOR	1kΩ 1/16W J						
R6675	NRSA63J-562X	MG RESISTOR	5.6kΩ 1/16W J						
R6676	NRSA63J-102X	MG RESISTOR	1kΩ 1/16W J						
R6677	NRSA63J-102X	MG RESISTOR	1kΩ 1/16W J						
R6680	NRSA63J-103X	MG RESISTOR	10kΩ 1/16W J						
R6684	NRSA63J-104X	MG RESISTOR	100kΩ 1/16W J						
R6685	NRSA63J-563X	MG RESISTOR	56kΩ 1/16W J						
R6686	NRSA63J-153X	MG RESISTOR	15kΩ 1/16W J						
R6691	NRSA63J-333X	MG RESISTOR	33kΩ 1/16W J						

CONNECTOR P.W. BOARD ASSY (SFL-4112A-U2)

△Ref No.	Part No.	Part Name	Description	Local
IC4301	RC4558D-X	IC		
C4210	QETN0JM-228Z	E CAPACITOR	2200uF 6.3V M	
C4211	QETN0JM-228Z	E CAPACITOR	2200uF 6.3V M	
C4303	NEHL1CM-106X	E CAPACITOR	10uF 16V M	
C4304	NEHL1CM-106X	E CAPACITOR	10uF 16V M	
C4305	NEHL1CM-476X	E CAPACITOR	47uF 16V M	
C4306	NEHL1CM-476X	E CAPACITOR	47uF 16V M	
R4301	NRSA63J-472X	MG RESISTOR	4.7kΩ 1/16W J	
R4302	NRSA63J-472X	MG RESISTOR	4.7kΩ 1/16W J	
R4303	NRSA63J-104X	MG RESISTOR	100kΩ 1/16W J	
R4304	NRSA63J-472X	MG RESISTOR	4.7kΩ 1/16W J	
R4305	NRSA63J-472X	MG RESISTOR	4.7kΩ 1/16W J	
R4306	NRSA63J-104X	MG RESISTOR	100kΩ 1/16W J	
R4307	NRSA63J-103X	MG RESISTOR	10kΩ 1/16W J	
R4308	NRSA63J-103X	MG RESISTOR	10kΩ 1/16W J	
R4405	NRSA63J-0R0X	MG RESISTOR	0Ω 1/16W J	
R4406	NRSA63J-0R0X	MG RESISTOR	0Ω 1/16W J	
R4407	NRSA63J-0R0X	MG RESISTOR	0Ω 1/16W J	
R4408	NRSA63J-0R0X	MG RESISTOR	0Ω 1/16W J	
R4409	NRSA63J-0R0X	MG RESISTOR	0Ω 1/16W J	
R4410	NRSA63J-0R0X	MG RESISTOR	0Ω 1/16W J	
R4506	NRSA63J-0R0X	MG RESISTOR	0Ω 1/16W J	
R4507	NRSA63J-0R0X	MG RESISTOR	0Ω 1/16W J	
CN0001	QGF0508F1-50X	CONNECTOR	FFC/FPC (1-50)	
CN0002	QGF0508F1-30X	CONNECTOR	FFC/FPC (1-30)	
CN000T	QGF0540C1-40X	CONNECTOR	FFC/FPC (1-40)	
CN1011	QGF0508F1-50X	CONNECTOR	FFC/FPC (1-50)	
CN1012	QGF0508F1-50X	CONNECTOR	FFC/FPC (1-50)	

FRONT CONTROL P.W. BOARD ASS'Y (SFL-7111A-U2)

△Ref No.	Part No.	Part Name	Description	Local
D7011	UDZS6.2B-X	Z DIODE		
C7011	NCB31HK-104X	C CAPACITOR	0.1uF 50V K	
C7012	NCB31HK-104X	C CAPACITOR	0.1uF 50V K	
R7011	NRSA63J-102X	MG RESISTOR	1kΩ 1/16W J	
R7012	NRSA63J-102X	MG RESISTOR	1kΩ 1/16W J	
R7013	NRSA63J-101X	MG RESISTOR	100Ω 1/16W J	
R7014	NRSA63J-101X	MG RESISTOR	100Ω 1/16W J	
R7015	NRSA63J-103X	MG RESISTOR	10kΩ 1/16W J	
R7016	NRSA63J-101X	MG RESISTOR	100Ω 1/16W J	
R7018	NRSA63J-0R0X	MG RESISTOR	0Ω 1/16W J	
R7701	NRSA63J-472X	MG RESISTOR	4.7kΩ 1/16W J	
R7702	NRSA63J-822X	MG RESISTOR	8.2kΩ 1/16W J	
R7703	NRSA63J-472X	MG RESISTOR	4.7kΩ 1/16W J	
R7704	NRSA63J-822X	MG RESISTOR	8.2kΩ 1/16W J	
L7001	NRSA02J-0R0X	MG RESISTOR	0Ω 1/10W J	
L7002	NRSA02J-0R0X	MG RESISTOR	0Ω 1/10W J	
J7001	QNS0097-001	HEADPHONE JACK		
K7001	NRSA63J-0R0X	MG RESISTOR	0Ω 1/16W J	
S7701	QSW1131-001Z	TACT SWITCH	CH-	
S7702	QSW1131-001Z	TACT SWITCH	CH+	
S7703	QSW1131-001Z	TACT SWITCH	MENU	
S7704	QSW1131-001Z	TACT SWITCH	TV/AV	
S7705	QSW1131-001Z	TACT SWITCH	VOL+	
S7706	QSW1131-001Z	TACT SWITCH	VOL-	
S7707	QSW1131-001Z	TACT SWITCH	POWER	

△Ref No.	Part No.	Part Name	Description	Local
Q9541	UN2212-X	DIGI TRANSISTOR		
Q9602	2SB1188/QR-W	TRANSISTOR		
Q9603	UN2212-X	DIGI TRANSISTOR		
Q9606	2SC3928A/QR-X	TRANSISTOR		
Q9901	2SD601A/QR-X	TRANSISTOR		
D9021	MA111-X	SI DIODE		
D9111	S1WB/A/60-4101	BRIDGE DIODE		
△D9201	D25XB60	BRIDGE DIODE		
D9202	MA111-X	SI DIODE		
D9205	MA3082/M-X	Z DIODE		
D9211	YG972S6R	SI DIODE		
D9213	MA111-X	SI DIODE		
D9214	MA111-X	SI DIODE		
D9215	D1FL20U-X	SI DIODE		
D9251	MA3100/M-X	Z DIODE		
D9252	MA111-X	SI DIODE		
D9253	MA111-X	SI DIODE		
D9254	D1FL20U-X	SI DIODE		
D9301	FME-220A	SB DIODE		
D9302	FME-220A	SB DIODE		
D9501	MA8220/M-X	Z DIODE		
D9502	MA8110/H-X	Z DIODE		
D9503	D1FL20U-X	SI DIODE		
D9504	D1FL20U-X	SI DIODE		
D9505	MA8220/M-X	Z DIODE		
D9507	D1FL20U-X	SI DIODE		
D9508	UDZS5.6B-X	Z DIODE	1.5kΩ 1/10W J	
D9509	SD883-04-X	SB DIODE		
D9512	D1FS4-X	SB DIODE		
D9514	PTZ27B-X	Z DIODE		
D9515	PTZ27B-X	Z DIODE		
D9542	FCH20A10	SB DIODE		
D9543	FCH20A10	SB DIODE		
D9546	FCH20A10	SB DIODE		
D9609	MA111-X	SI DIODE		
D9901	EC30HA04-X	SB DIODE		
D9902	MA111-X	SI DIODE		
D9903	EC30HA04-X	SB DIODE		
D9905	D1FL20U-X	SI DIODE		
D9906	PTZ11B-X	Z DIODE		
D9907	MTZJ16B-T2	Z DIODE		
D9908	MTZJ16B-T2	Z DIODE		
D9909	D1FL20U-X	SI DIODE		

FRONT LED P.W. BOARD ASS'Y (SFL-8133A-U2)

△Ref No.	Part No.	Part Name	Description	Local
IC8752	GP1UM261RK	IR DETECT UNIT		
Q8703	UN2212-X	DIGI TRANSISTOR		
Q8704	UN2110-X	DIGI TRANSISTOR		
Q8710	UN2212-X	DIGI TRANSISTOR		
Q8711	UN2212-X	DIGI TRANSISTOR		
D8702	SEL5E20C-T	LED	POWER	
D8705	SELU5E20C-T	LED	ILLUMINATION	
D8706	MA8068-X	Z DIODE		
D8707	MA8068-X	Z DIODE		
D8708	MA8068-X	Z DIODE		
D8709	MA8068-X	Z DIODE		
C8752	NEHL1CM-476X	E CAPACITOR	47uF 16V M	
R8713	NRSA63J-331X	MG RESISTOR	330Ω 1/16W J	
R8714	NRSA63J-103X	MG RESISTOR	10kΩ 1/16W J	
R8721	NRSA63J-101X	MG RESISTOR	100Ω 1/16W J	
R8722	NRSA63J-271X	MG RESISTOR	270Ω 1/16W J	
R8724	NRSA63J-0R0X	MG RESISTOR	0Ω 1/16W J	
R8726	NRSA63J-0R0X	MG RESISTOR	0Ω 1/16W J	
R8755	NRSA63J-102X	MG RESISTOR	1kΩ 1/16W J	

△C9001	QFZ9072-105	MM CAPACITOR	1uF AC250V K	
△C9002	QFZ9072-105	MM CAPACITOR	1uF AC250V K	
△C9011	QCZ9071-102	C CAPACITOR	1000pF AC400V M	
△C9013	QCZ9071-102	C CAPACITOR	1000pF AC400V M	
△C9101	QCZ9078-472	C CAPACITOR	4700pF AC250V M	
△C9102	QCZ9078-472	C CAPACITOR	4700pF AC250V M	
△C9103	QCZ9078-472	C CAPACITOR	4700pF AC250V M	
C9111	QEZO709-106	E CAPACITOR	10uF 450V M	
C9141	QECR1CM-477Z	E CAPACITOR	470uF 16V M	
C9142	QEHR1AM-337Z	E CAPACITOR	330uF 10V M	
C9143	QEHR1CM-107Z	E CAPACITOR	100uF 16V M	
△C9196	QCZ9071-471	C CAPACITOR	470pF AC400V K	
△C9197	QCZ9071-102	C CAPACITOR	1000pF AC400V M	
△C9198	QCZ9071-102	C CAPACITOR	1000pF AC400V M	
△C9201	QCZ9078-222	C CAPACITOR	2200pF AC250V M	
△C9203	QCZ9078-222	C CAPACITOR	2200pF AC250V M	
△C9204	QCZ9078-222	C CAPACITOR	2200pF AC250V M	
△C9205	QCZ9078-222	C CAPACITOR	2200pF AC250V M	
C9211	QFZ0222-105	MM CAPACITOR	1uF 450V K	
C9212	NCB31HK-103X	C CAPACITOR	0.01uF 50V K	
C9213	NCB21CK-105X	C CAPACITOR	1uF 16V K	
C9214	NDC31HJ-102X	C CAPACITOR	1000pF 50V J	
C9215	QEHR1VM-476Z	E CAPACITOR	47uF 35V M	
C9216	QEZO650-227	E CAPACITOR	220uF 450V M	
C9218	NCB31HK-103X	C CAPACITOR	0.01uF 50V K	
C9219	QCZ0340-331	C CAPACITOR	330pF 2kV K	
C9221	NCB31HK-222X	C CAPACITOR	2200pF 50V K	
C9251	QEHR1HM-107Z	E CAPACITOR	100uF 50V M	
C9252	NCB31HK-104X	C CAPACITOR	0.1uF 50V K	
C9301	QECR1EM-687Z	E CAPACITOR	680uF 25V M	
C9302	QECR1EM-687Z	E CAPACITOR	680uF 25V M	
C9501	NCB31HK-104X	C CAPACITOR	0.1uF 50V K	
C9502	NCB31HK-104X	C CAPACITOR	0.1uF 50V K	
C9503	NCB31HK-104X	C CAPACITOR	0.1uF 50V K	
C9504	NCB31HK-223X	C CAPACITOR	0.022uF 50V K	
C9505	NCB31HK-223X	C CAPACITOR	0.022uF 50V K	
C9506	NCB31HK-331X	C CAPACITOR	330pF 50V K	
C9507	NCB31HK-472X	C CAPACITOR	4700pF 50V K	
C9508	NCB11AK-335X	C CAPACITOR	3.3uF 10V K	
C9509	QEHR1HM-107Z	E CAPACITOR	100uF 50V M	
C9510	QEHR2AM-107Z	E CAPACITOR	100uF 100V M	
C9511	QFZ0209-393	MPP CAPACITOR	0.039uF	
C9512	QEHR1HM-107Z	E CAPACITOR	100uF 50V M	
C9520	NCB31HK-331X	C CAPACITOR	330pF 50V K	
C9541	QECC1VM-128	E CAPACITOR	1200uF 35V M	

POWER P.W. BOARD ASS'Y (SFL-9034A-U2)

△Ref No.	Part No.	Part Name	Description	Local
IC9141	BA50BC0FP-X	IC		
△IC9211	FA5500AN-W	IC		
IC9501	F9222L-F219	IC		
△IC9541	UTCTL431-T	IC		
IC9602	M62320FP-X	IC		
IC9901	MP1593DN-X	IC		
Q9021	2SC3928A/QR-X	TRANSISTOR		
Q9211	2SK3522-01-F1	POWER MOS FET		
Q9212	2SD601A/QR-X	TRANSISTOR		
Q9213	IMD3A-W	DIGI TRANSISTOR		
Q9215	2SD601A/QR-X	TRANSISTOR		
Q9216	UN2212-X	DIGI TRANSISTOR		
Q9251	UN2213-X	DIGI TRANSISTOR		
Q9252	UN2212-X	DIGI TRANSISTOR		
Q9501	2SD601A/QR-X	TRANSISTOR		
Q9502	2SK2865-X	POWER MOS FET		
Q9503	2SD601A/QR-X	TRANSISTOR		
Q9504	2SK2018-01S-W	POWER MOS FET		
Q9506	UN2213-X	DIGI TRANSISTOR		

△Ref No.	Part No.	Part Name	Description	Local	△Ref No.	Part No.	Part Name	Description	Local
C9544	QECQ1VM-128	E CAPACITOR	1200uF 35V M		R9543	NRSA63J-103X	MG RESISTOR	10kΩ 1/16W J	
C9545	QECQ1VM-128	E CAPACITOR	1200uF 35V M		R9544	NRSA63D-273X	MG RESISTOR	27kΩ 1/16W D	
C9550	QECQ1VM-128	E CAPACITOR	1200uF 35V M		R9545	NRSA63D-682X	MG RESISTOR	6.8kΩ 1/16W D	
C9551	NCB11HK-104X	C CAPACITOR	0.1uF 50V K		R9546	NRSA63J-182X	MG RESISTOR	1.8kΩ 1/16W J	
C9552	NCB31HK-223X	C CAPACITOR	0.022uF 50V K		R9548	NRSA63D-392X	MG RESISTOR	3.9kΩ 1/16W D	
C9553	QEHR1EM-477Z	E CAPACITOR	470uF 25V M		R9549	NRSA63J-0R0X	MG RESISTOR	0Ω 1/16W J	
C9606	NCB11CK-475X	C CAPACITOR	4.7uF 16V K		R9552	NRSA02J-0R0X	MG RESISTOR	0Ω 1/10W J	
C9609	NCB31EK-104X	C CAPACITOR	0.1uF 25V K		R9562	NRS12BJ-223W	MG RESISTOR	22kΩ 1/2W J	
C9610	NDC31HJ-680X	C CAPACITOR	68pF 50V J		R9563	NRS12BJ-6R8W	MG RESISTOR	6.8Ω 1/2W J	
C9611	NDC31HJ-680X	C CAPACITOR	68pF 50V J		R9615	NRSA63J-101X	MG RESISTOR	100Ω 1/16W J	
C9902	NCB31HK-103X	C CAPACITOR	0.01uF 50V K		R9616	NRSA63J-101X	MG RESISTOR	100Ω 1/16W J	
C9903	QECR1CM-477Z	E CAPACITOR	470uF 16V M		R9629	NRSA63J-473X	MG RESISTOR	47kΩ 1/16W J	
C9904	NCJ41CK-226X-U	C CAPACITOR	22mF 16V K		R9631	NRSA02J-332X	MG RESISTOR	3.3kΩ 1/10W J	
C9907	NCB31EK-273X	C CAPACITOR	0.027uF 25V K		R9632	NRSA63J-0R0X	MG RESISTOR	0Ω 1/16W J	
C9908	QEHR2AM-106Z	E CAPACITOR	10uF 100V M		R9635	NRS12BJ-221W	MG RESISTOR	220Ω 1/2W J	
C9909	QEHR1HM-106Z	E CAPACITOR	10uF 50V M		R9637	NRSA02J-0R0X	MG RESISTOR	0Ω 1/10W J	
C9912	QEHR1CM-477Z	E CAPACITOR	470uF 16V M		R9641	NRSA63J-0R0X	MG RESISTOR	0Ω 1/16W J	
C9913	NCJ41HK-335X-U	C CAPACITOR	33uF 16V K		R9643	NRSA63J-0R0X	MG RESISTOR	0Ω 1/16W J	
C9914	QTNC1HM-106Z	E CAPACITOR	10uF 50V M		R9648	NRSA63J-102X	MG RESISTOR	1kΩ 1/16W J	
C9917	NCB31HK-222X	C CAPACITOR	2200pF 50V K		R9657	NRS12BJ-6R8W	MG RESISTOR	6.8Ω 1/2W J	
△R9001	QRZ9046-105Z	C RESISTOR	1MΩ 1/2W K		R9658	NRSA63J-822X	MG RESISTOR	8.2kΩ 1/16W J	
R9021	NRSA63J-222X	MG RESISTOR	2.2kΩ 1/16W J		R9659	NRSA63J-102X	MG RESISTOR	1kΩ 1/16W J	
R9022	NRSA63J-473X	MG RESISTOR	47kΩ 1/16W J		R9660	NRSA63J-472X	MG RESISTOR	4.7kΩ 1/16W J	
R9101	QRZ0216-4R7	UNF WW RESISTOR	4.7Ω 7W K		R9661	NRS12BJ-6R8W	MG RESISTOR	6.8Ω 1/2W J	
R9141	QRX01GJ-1R0	MF RESISTOR	1Ω 1W J		R9901	NRSA02J-0R0X	MG RESISTOR	0Ω 1/10W J	
R9142	QRX01GJ-R82	MF RESISTOR	0.82Ω 1W J		R9902	NRSA63D-104X	MG RESISTOR	100kΩ 1/16W D	
△R9199	QRZ9046-685Z	C RESISTOR	6.8MΩ 1/2W K		R9903	NRSA63D-103X	MG RESISTOR	10kΩ 1/16W D	
△R9201	QRZ9055-8R2	FUSI RESISTOR	8.2Ω 2W K		R9904	NRSA63D-184X	MG RESISTOR	180kΩ 1/16W D	
R9203	NRS12BJ-681W	MG RESISTOR	680Ω 1/2W J		R9905	QRK126J-222X	UNF C RESISTOR	2.2kΩ 1/2W J	
R9211	NRS12BJ-474W	MG RESISTOR	470kΩ 1/2W J		R9906	NRSA63J-822X	MG RESISTOR	8.2kΩ 1/16W J	
R9212	NRS12BJ-474W	MG RESISTOR	470kΩ 1/2W J		R9907	NRSA63J-122X	MG RESISTOR	1.2kΩ 1/16W J	
R9213	NRS12BJ-334W	MG RESISTOR	330kΩ 1/2W J		R9908	NRSA63J-183X	MG RESISTOR	18kΩ 1/16W J	
R9214	NRSA63J-912X	MG RESISTOR	9.1kΩ 1/16W J		R9909	NRSA63J-0R0X	MG RESISTOR	0Ω 1/16W J	
R9215	NRSA63J-101X	MG RESISTOR	100Ω 1/16W J		R9913	NRSA63J-103X	MG RESISTOR	10kΩ 1/16W J	
R9216	NRSA63J-224X	MG RESISTOR	220kΩ 1/16W J		R9923	NRSA63J-0R0X	MG RESISTOR	0Ω 1/16W J	
R9217	NRSA63J-224X	MG RESISTOR	220kΩ 1/16W J		L9141	NQL52EN-4R7X	COIL	4.7uH N	
R9218	NRSA63D-183X	MG RESISTOR	18kΩ 1/16W D		L9201	QQR1662-001	CHOCOIL		
R9219	NRS12BJ-223W	MG RESISTOR	22kΩ 1/2W J		L9202	QQR1513-001	CHOCOIL		
R9220	QRM059J-R22	MP RESISTOR	0.22Ω 5W J		L9541	NQL71EM-150X	COIL	15uH M	
R9221	QRM059J-R22	MP RESISTOR	0.22Ω 5W J		L9542	NQL52EM-470X	COIL	47uH M	
R9222	NRS181J-824X	MG RESISTOR	820kΩ 1/8W J		L9902	NQR0562-001X	CHOCOIL		
R9223	NRS181J-824X	MG RESISTOR	820kΩ 1/8W J		L9903	NQR0562-001X	CHOCOIL		
R9224	NRS181J-824X	MG RESISTOR	820kΩ 1/8W J		L9904	NQL63EM-470X	COIL	47uH M	
R9225	NRS12BJ-334W	MG RESISTOR	330kΩ 1/2W J		△T9121	QAL0425-002	POWER TRANSF		
R9226	NRS12BJ-334W	MG RESISTOR	330kΩ 1/2W J		△T9501	QQS0347-002	SW TRANSF		
R9227	NRS12BJ-394W	MG RESISTOR	390kΩ 1/2W J		△T9502	QQS0347-002	SW TRANSF		
R9228	NRSA63J-103X	MG RESISTOR	10kΩ 1/16W J		CN0006	QGB2501J1-07	CONNECTOR	B-B (1-7)	
R9229	NRSA63D-274X	MG RESISTOR	270kΩ 1/16W D		△CN0007	QGB2501J1-10	CONNECTOR	B-B (1-10)	
R9233	NRS181J-0R0X	MG RESISTOR	0Ω 1/8W J		CN000H	QGF1201C2-21	CONNECTOR	FFC/FPC (1-21)	
R9236	NRS12BJ-474W	MG RESISTOR	470kΩ 1/2W J		△CP9121	QMFZ052-2R0-E	FUSE	2A AC250V	
R9237	NRSA63J-103X	MG RESISTOR	10kΩ 1/16W J		△CP9211	QMFZ043-2R0Z-J1	FUSE	2A AC250V	
R9238	NRS12BJ-220W	MG RESISTOR	22kΩ 1/2W J		△CP9301	QMFZ034-5R0Z-J1	FUSE	5A 125V	
R9239	NRS12BJ-1R0W	MG RESISTOR	1Ω 1/2W J		△CP9302	QMFZ034-5R0Z-J1	FUSE	5A 125V	
R9251	NRSA63J-0R0X	MG RESISTOR	0Ω 1/16W J		△FP9001	QMF5AD2-6R3-J1	FUSE	6.3A AC250V	
R9253	NRSA63J-223X	MG RESISTOR	22kΩ 1/16W J		K9001	QRN143J-0R0X	C RESISTOR	0Ω 1/4W J	
R9254	NRSA63J-473X	MG RESISTOR	47kΩ 1/16W J		K9111	NQR0499-001X	FERRITE BEADS		
R9255	NRSA63J-224X	MG RESISTOR	220kΩ 1/16W J		K9211	QQR0621-002Z	FERRITE BEADS		
R9256	NRSA63J-153X	MG RESISTOR	15kΩ 1/16W J		K9212	QQR0621-002Z	FERRITE BEADS		
R9257	NRS12BJ-102W	MG RESISTOR	1kΩ 1/2W J		K9501	NQR0499-002X	FERRITE BEADS		
R9301	QRT039J-1R2	MF RESISTOR	1.2Ω 3W J		K9502	NQR0499-002X	FERRITE BEADS		
R9302	QRT039J-1R2	MF RESISTOR	1.2Ω 3W J		K9503	NQR0499-002X	FERRITE BEADS		
R9501	QRL039J-103	OMF RESISTOR	10kΩ 3W J		K9504	NQR0499-002X	FERRITE BEADS		
R9502	QRL039J-103	OMF RESISTOR	10kΩ 3W J		K9505	NQR0499-002X	FERRITE BEADS		
R9503	NRS181J-824X	MG RESISTOR	820kΩ 1/8W J		K9508	NRSA02J-0R0X	MG RESISTOR	0Ω 1/10W J	
R9504	NRS181J-824X	MG RESISTOR	820kΩ 1/8W J		K9509	NQR0499-002X	FERRITE BEADS		
R9505	NRS181J-824X	MG RESISTOR	820kΩ 1/8W J		K9541	NQR0499-001X	FERRITE BEADS		
R9506	NRSA63J-473X	MG RESISTOR	47kΩ 1/16W J		△LF9001	QQR1514-001	LINE FILTER		
R9507	NRSA63J-473X	MG RESISTOR	47kΩ 1/16W J		△LF9002	QQR1467-001	LINE FILTER		
R9508	QRT029J-R56	MF RESISTOR	0.56Ω 2W J		△LF9003	QQR1514-001	LINE FILTER		
R9509	QRM059J-R27	MP RESISTOR	0.27Ω 5W J		△PC9541	PS2581AL2/QW/-W	PHOTO COUPLER		
R9510	NRSA63J-103X	MG RESISTOR	10kΩ 1/16W J		△PC9542	PS2581AL2/QW/-W	PHOTO COUPLER		
R9511	NRSA63J-102X	MG RESISTOR	1kΩ 1/16W J		△RY9021	QSK0162-001	RELAY		
R9512	NRSA63J-333X	MG RESISTOR	33kΩ 1/16W J		△RY9201	QSK0163-001	RELAY		
R9513	NRSA63J-223X	MG RESISTOR	22kΩ 1/16W J		△VA9001	QAF0060-621	VARISTOR	620V	
R9514	NRSA63J-104X	MG RESISTOR	100kΩ 1/16W J						
R9515	NRSA63J-104X	MG RESISTOR	100kΩ 1/16W J						
R9516	QRT029J-2R2	MF RESISTOR	2.2Ω 2W J						
R9517	NRS12BJ-332W	MG RESISTOR	3.3kΩ 1/2W J						
R9518	QRK126J-271X	UNF C RESISTOR	270Ω 1/2W J						
R9519	NRSA02J-180X	MG RESISTOR	18Ω 1/10W J						
R9520	QRE121J-105Y	C RESISTOR	1MΩ 1/2W J						
R9521	NRSA63J-223X	MG RESISTOR	22kΩ 1/16W J						
R9525	NRSA63J-333X	MG RESISTOR	33kΩ 1/16W J						
R9526	NRSA63J-151X	MG RESISTOR	150Ω 1/16W J						
R9527	NRSA02J-0R0X	MG RESISTOR	0Ω 1/10W J						
R9529	QRL039J-681	OMF RESISTOR	680Ω 3W J						
R9536	NRSA02J-0R0X	MG RESISTOR	0Ω 1/10W J						
R9541	NRSA63J-684X	MG RESISTOR	680kΩ 1/16W J						
R9542	NRSA02J-103X	MG RESISTOR	10kΩ 1/10W J						

REGULATOR P.W. BOARD ASS'Y (SFL-9134A-U2)

△Ref No.	Part No.	Part Name	Description	Local
IC9801	MP1593DN-X	IC		
IC9821	MP1593DN-X	IC		
IC9841	MP1593DN-X	IC		
IC9861	MP1593DN-X	IC		
IC9881	LM393DR-X	IC		
Q9801	2SC3928A/QR/-X	TRANSISTOR		
Q9821	2SC3928A/QR/-X	TRANSISTOR		
D9802	EC30HA04-X	SB DIODE		
D9803	MA111-X	SI DIODE		
D9805	PTZ6.8B-X	Z DIODE		
D9822	EC30HA04-X	SB DIODE		
D9823	PTZ6.8B-X	Z DIODE		
D9824	MA111-X	SI DIODE		
D9825	EC30HA04-X	SB DIODE		
D9842	EC30HA04-X	SB DIODE		
D9843	PTZ3.9B-X	Z DIODE		
D9861	MA111-X	SI DIODE		
D9862	EC30HA04-X	SB DIODE		
D9863	PTZ3.9B-X	Z DIODE		
D9864	EC30HA04-X	SB DIODE		
D9881	UDZS9.1B-X	Z DIODE		
D9882	MA111-X	SI DIODE		

△Ref No.	Part No.	Part Name	Description	Local
R9864	NRSA63J-680X	MG RESISTOR	68Ω 1/16W J	
R9865	NRSA63J-103X	MG RESISTOR	10kΩ 1/16W J	
R9866	NRSA63D-153X	MG RESISTOR	15kΩ 1/16W D	
R9867	NRSA63D-103X	MG RESISTOR	10kΩ 1/16W D	
R9868	NRSA63D-154X	MG RESISTOR	150kΩ 1/16W D	
R9869	NRSA02J-0R0X	MG RESISTOR	0Ω 1/10W J	
R9881	NRS12BJ-332W	MG RESISTOR	3.3kΩ 1/2W J	
R9882	NRSA63D-472X	MG RESISTOR	4.7kΩ 1/16W D	
R9883	NRSA63D-472X	MG RESISTOR	4.7kΩ 1/16W D	
R9884	NRSA63J-682X	MG RESISTOR	6.8kΩ 1/16W J	
R9885	NRSA63D-273X	MG RESISTOR	27kΩ 1/16W D	
R9886	NRSA63D-472X	MG RESISTOR	4.7kΩ 1/16W D	
L9802	NQL98EM-150X	COIL	15uH M	
L9822	NQL71EM-150X	COIL	15uH M	
L9823	NQR0562-003X	CHOKE COIL		
L9842	NQL98EM-150X	COIL	15uH M	
L9862	NQL98EM-150X	COIL	15uH M	
CN9806	QGB2501K2-07	CONNECTOR	B-B (1-7)	
CN9807	QGB2501K2-10	CONNECTOR	B-B (1-10)	

DIGITAL SIGNAL P.W. BOARD ASS'Y (SFL0D238A-U2)

△Ref No.	Part No.	Part Name	Description	Local
C9803	NCJ41HK-335X-U	C CAPACITOR		
C9804	NCB31HK-103X	C CAPACITOR	0.01uF 50V K	
C9805	NCB31HK-222X	C CAPACITOR	2200pF 50V K	
C9806	NCJ41CK-226X-U	C CAPACITOR	22mF 16V K	
C9807	NCB31HK-332X	C CAPACITOR	3300pF 50V K	
C9810	NEHM1HM-105X	E CAPACITOR	1uF 50V M	
C9821	NCJ41HK-335X-U	C CAPACITOR		
C9822	NCB31HK-104X	C CAPACITOR	0.1uF 50V K	
C9823	NCB31HK-103X	C CAPACITOR	0.01uF 50V K	
C9825	NDC31HJ-101X	C CAPACITOR	100pF 50V J	
C9826	NCJ41CK-226X-U	C CAPACITOR	22mF 16V K	
C9827	NCB31HK-103X	C CAPACITOR	0.01uF 50V K	
C9830	NBZ0008-107X	SP E CAPACITOR	100uF 6.3V M	
C9831	NCJ41CK-226X-U	C CAPACITOR	22mF 16V K	
C9843	NCJ41HK-335X-U	C CAPACITOR		
C9844	NCB31HK-103X	C CAPACITOR	0.01uF 50V K	
C9845	NDC31HJ-121X	C CAPACITOR	120pF 50V J	
C9846	NCJ41CK-226X-U	C CAPACITOR	22mF 16V K	
C9847	NCB31HK-222X	C CAPACITOR	2200pF 50V K	
C9848	NCJ41CK-226X-U	C CAPACITOR	22mF 16V K	
C9861	NCJ41HK-335X-U	C CAPACITOR		
C9862	NCB31HK-822X	C CAPACITOR	8200pF 50V K	
C9864	NCB31HK-103X	C CAPACITOR	0.01uF 50V K	
C9865	NDC31HJ-121X	C CAPACITOR	120pF 50V J	
C9866	NCJ41CK-226X-U	C CAPACITOR	22mF 16V K	
C9867	NCB31HK-222X	C CAPACITOR	2200pF 50V K	
C9868	NCJ41CK-226X-U	C CAPACITOR	22mF 16V K	
C9881	NEHM1HM-105X	E CAPACITOR	1uF 50V M	
C9882	NCB31EK-104X	C CAPACITOR	0.1uF 25V K	
C9883	NCB31EK-104X	C CAPACITOR	0.1uF 25V K	
C9884	NCB31EK-104X	C CAPACITOR	0.1uF 25V K	
R9803	NRSA02J-0R0X	MG RESISTOR	0Ω 1/10W J	
R9804	NRSA63J-562X	MG RESISTOR	5.6kΩ 1/16W J	
R9805	NRVA02D-473X	CMF RESISTOR	47kΩ 1/10W D	
R9806	NRSA63D-124X	MG RESISTOR	120kΩ 1/16W D	
R9807	NRSA63D-103X	MG RESISTOR	10kΩ 1/16W D	
R9808	NRSA63J-682X	MG RESISTOR	6.8kΩ 1/16W J	
R9809	NRSA63J-182X	MG RESISTOR	1.8kΩ 1/16W J	
R9810	NRSA63J-183X	MG RESISTOR	18kΩ 1/16W J	
R9812	NRSA02J-0R0X	MG RESISTOR	0Ω 1/10W J	
R9821	NRSA02J-0R0X	MG RESISTOR	0Ω 1/10W J	
R9822	NRSA63J-472X	MG RESISTOR	4.7kΩ 1/16W J	
R9823	NRSA63J-104X	MG RESISTOR	100kΩ 1/16W J	
R9824	NRSA63J-103X	MG RESISTOR	10kΩ 1/16W J	
R9825	NRSA63D-473X	MG RESISTOR	47kΩ 1/16W D	
R9826	NRSA63D-103X	MG RESISTOR	10kΩ 1/16W D	
R9827	NRSA63D-124X	MG RESISTOR	120kΩ 1/16W D	
R9828	NRSA63J-682X	MG RESISTOR	6.8kΩ 1/16W J	
R9829	NRSA63J-182X	MG RESISTOR	1.8kΩ 1/16W J	
R9830	NRSA63J-183X	MG RESISTOR	18kΩ 1/16W J	
R9831	NRSA02J-0R0X	MG RESISTOR	0Ω 1/10W J	
R9841	NRSA63J-473X	MG RESISTOR	47kΩ 1/16W J	
R9843	NRSA02J-0R0X	MG RESISTOR	0Ω 1/10W J	
R9844	NRSA63J-680X	MG RESISTOR	68Ω 1/16W J	
R9845	NRSA63J-103X	MG RESISTOR	10kΩ 1/16W J	
R9846	NRSA63D-223X	MG RESISTOR	22kΩ 1/16W D	
R9847	NRSA63J-154X	MG RESISTOR	150kΩ 1/16W J	
R9848	NRSA63D-103X	MG RESISTOR	10kΩ 1/16W D	
R9849	NRSA02J-0R0X	MG RESISTOR	0Ω 1/10W J	
R9861	NRSA02J-0R0X	MG RESISTOR	0Ω 1/10W J	
R9862	NRSA63J-473X	MG RESISTOR	47kΩ 1/16W J	
R9863	NRSA63J-824X	MG RESISTOR	820kΩ 1/16W J	

△Ref No.	Part No.	Part Name	Description	Local
IC0401	SN74AHCT1G32V-X	IC		
IC1001	TC90A92AFG	IC		
IC1002	MM1572FN-X	IC		
IC1003	R1141Q151D-X	IC		
IC1005	ML87V2105TBZ03A	IC		
IC1502	NJM2235V-X	IC		
IC3001	JCC5055A	IC		
IC3004	TC7MB3257FK-X	IC		
IC3005	SN74LVC1G08V-X	IC		
IC3006	SN74LVC2G126T-X	IC		
IC3007	SN74LVC3G17U-X	IC		
IC3008	R1170H331B-X	IC		
IC3403	S-80928CLNB-G-W	IC		
IC3501	EDD1232AAFA-7A	IC		
IC3502	EDD1232AAFA-7A	IC		
IC3503	LP2996MR-X	IC		
IC4001	JCC5057	IC		
IC4003	AT29LE-37S60BU	IC(MICRO C ROM)	(SERVICE)	
IC4004	ATF256-37S60BU	IC	(SERVICE)	
IC6502	THC63LVDM83R-W	IC		
IC7001	MN102H60KLH	IC(MCU)		
IC7002	ATF512-37S60BU	IC(MICRO C ROM)	(SERVICE)	
IC7003	SN74LVC2G241T-X	IC		
IC7401	S-80928CLNB-G-W	IC		
IC7501	SDA6000-B12	IC		
IC7502	S-80828CENN-G-W	IC		
IC7503	K4S641632H-UC75	IC		
IC7504	MBV160-37S60BU	IC(MICRO C ROM)	(SERVICE)	
IC7505	PQ2L3252MS-X	IC		
IC7506	CD74HC4053PW-X	IC		
IC7602	ATF32-37S60BU	IC	(SERVICE)	
IC9201	MP1593DN-X	IC		
Q0101	2SC3837K/NP/-X	TRANSISTOR		
Q0102	2SA1022/BC/-X	TRANSISTOR		
Q0104	2SA1022/BC/-X	TRANSISTOR		
Q0105	2SC3928A/QR/-X	TRANSISTOR		
Q0107	2SA1530A/QR/-X	TRANSISTOR		
Q0108	2SC3928A/QR/-X	TRANSISTOR		
Q0109	HN1C01F/Y/-X	PAIR TRANSISTOR		
Q0110	HN1C01F/Y/-X	PAIR TRANSISTOR		
Q0201	2SC3837K/NP/-X	TRANSISTOR		
Q0202	2SA1022/BC/-X	TRANSISTOR		
Q0203	2SC3928A/QR/-X	TRANSISTOR		
Q0204	2SA1022/BC/-X	TRANSISTOR		
Q0205	2SC3928A/QR/-X	TRANSISTOR		
Q0206	2SC3928A/QR/-X	TRANSISTOR		
Q0207	2SA1530A/QR/-X	TRANSISTOR		
Q0208	2SC3928A/QR/-X	TRANSISTOR		
Q0209	HN1C01F/Y/-X	PAIR TRANSISTOR		
Q0210	HN1C01F/Y/-X	PAIR TRANSISTOR		
Q0301	2SC3837K/NP/-X	TRANSISTOR		
Q0302	2SA1022/BC/-X	TRANSISTOR		
Q0303	2SC3928A/QR/-X	TRANSISTOR		
Q0304	2SA1022/BC/-X	TRANSISTOR		
Q0305	2SC3928A/QR/-X	TRANSISTOR		
Q0306	2SC3928A/QR/-X	TRANSISTOR		
Q0307	2SA1530A/QR/-X	TRANSISTOR		
Q0308	2SC3928A/QR/-X	TRANSISTOR		
Q0309	HN1C01F/Y/-X	PAIR TRANSISTOR		
Q0310	HN1C01F/Y/-X	PAIR TRANSISTOR		

△Ref No.	Part No.	Part Name	Description	Local	△Ref No.	Part No.	Part Name	Description	Local
Q0311	2SC3928A/QR/-X	TRANSISTOR			C0519	NDC31HJ-560X	C CAPACITOR	56pF 50V J	
Q1001	UN2213-X	DIGI TRANSISTOR			C1001	NCB31HK-103X	C CAPACITOR	0.01uF 50V K	
Q1003	2SC3928A/QR/-X	TRANSISTOR			C1004	NCB31HK-103X	C CAPACITOR	0.01uF 50V K	
Q1004	2SC3928A/QR/-X	TRANSISTOR			C1005	NCB31HK-152X	C CAPACITOR	1500pF 50V K	
Q1005	2SK1228-X	MOS FET			C1006	NCB31HK-103X	C CAPACITOR	0.01uF 50V K	
Q1006	2SK1228-X	MOS FET			C1009	NDC31HJ-220X	C CAPACITOR	22pF 50V J	
Q1101	2SC3928A/QR/-X	TRANSISTOR			C1010	NDC31HJ-180X	C CAPACITOR	18pF 50V J	
Q1103	2SA1530A/QR/-X	TRANSISTOR			C1011	NDC31HJ-102X	C CAPACITOR	1000pF 50V J	
Q1201	2SC3928A/QR/-X	TRANSISTOR			C1012	NCB31HK-103X	C CAPACITOR	0.01uF 50V K	
Q1203	2SA1530A/QR/-X	TRANSISTOR			C1013	NCB31HK-103X	C CAPACITOR	0.01uF 50V K	
Q1301	2SC3928A/QR/-X	TRANSISTOR			C1014	NCB31HK-103X	C CAPACITOR	0.01uF 50V K	
Q1303	2SA1530A/QR/-X	TRANSISTOR			C1015	NCB31HK-103X	C CAPACITOR	0.01uF 50V K	
Q1401	2SC3928A/QR/-X	TRANSISTOR			C1016	NCB11AK-106X	C CAPACITOR	10uF 10V K	
Q1403	2SA1530A/QR/-X	TRANSISTOR			C1017	NCB31HK-103X	C CAPACITOR	0.01uF 50V K	
Q3001	2SC3928A/QR/-X	TRANSISTOR			C1018	NCB31HK-103X	C CAPACITOR	0.01uF 50V K	
Q3002	2SA1530A/QR/-X	TRANSISTOR			C1019	NCB31HK-103X	C CAPACITOR	0.01uF 50V K	
Q3003	2SC3928A/QR/-X	TRANSISTOR			C1021	NCB31HK-103X	C CAPACITOR	0.01uF 50V K	
Q3004	2SA1530A/QR/-X	TRANSISTOR			C1023	NCB31HK-103X	C CAPACITOR	0.01uF 50V K	
Q4001	2SC3928A/QR/-X	TRANSISTOR			C1025	NCB31HK-103X	C CAPACITOR	0.01uF 50V K	
Q6501	2SC3928A/QR/-X	TRANSISTOR			C1026	NCB31HK-103X	C CAPACITOR	0.01uF 50V K	
Q7201	2SA1530A/QR/-X	TRANSISTOR			C1028	NCB31HK-103X	C CAPACITOR	0.01uF 50V K	
Q7202	2SC3928A/QR/-X	TRANSISTOR			C1029	NCB31HK-103X	C CAPACITOR	0.01uF 50V K	
Q7203	2SC3928A/QR/-X	TRANSISTOR			C1030	NCB31HK-103X	C CAPACITOR	0.01uF 50V K	
Q7204	2SC3928A/QR/-X	TRANSISTOR			C1031	NCB31HK-103X	C CAPACITOR	0.01uF 50V K	
Q7205	2SC3928A/QR/-X	TRANSISTOR			C1032	NCB31HK-103X	C CAPACITOR	0.01uF 50V K	
Q7206	UN2213-X	DIGI TRANSISTOR			C1033	NCB31HK-103X	C CAPACITOR	0.01uF 50V K	
Q7207	UN2113-X	TRANSISTOR			C1034	NDC31HJ-390X	C CAPACITOR	39pF 50V J	
Q7208	UN2113-X	TRANSISTOR			C1035	NDC31HJ-680X	C CAPACITOR	68pF 50V J	
Q7209	UN2113-X	TRANSISTOR			C1037	NCB30JK-225X	C CAPACITOR	2.2uF 6.3V K	
Q7501	2SA1162/YG/-X	TRANSISTOR			C1038	NCB31HK-103X	C CAPACITOR	0.01uF 50V K	
Q7508	DTC114EKA-X	DIGI TRANSISTOR			C1039	NCB31HK-103X	C CAPACITOR	0.01uF 50V K	
					C1040	NCB31HK-103X	C CAPACITOR	0.01uF 50V K	
D1001	EC30HA03L-X	SB DIODE			C1041	NCB10JK-106X	C CAPACITOR	10uF 6.3V K	
D1002	EC30HA03L-X	SB DIODE			C1042	NCB30JK-225X	C CAPACITOR	2.2uF 6.3V K	
D2103	1SS355-X	SI DIODE			C1043	NCB31HK-103X	C CAPACITOR	0.01uF 50V K	
D7001	1SS355-X	SI DIODE			C1045	NCB31CK-104X	C CAPACITOR	0.1uF 16V K	
D7003	RB501V-40-X	SB DIODE			C1046	NCB31HK-103X	C CAPACITOR	0.01uF 50V K	
D7005	UDZS8.2B-X	Z DIODE			C1047	NCB31HK-103X	C CAPACITOR	0.01uF 50V K	
D7006	UDZS8.2B-X	Z DIODE			C1048	NCB30JK-105X	C CAPACITOR	1uF 6.3V K	
D7007	UDZS8.2B-X	Z DIODE			C1049	NCB31HK-103X	C CAPACITOR	0.01uF 50V K	
D7008	UDZS8.2B-X	Z DIODE			C1050	NCB30JK-105X	C CAPACITOR	1uF 6.3V K	
D7009	UDZS8.2B-X	Z DIODE			C1051	NCB30JK-105X	C CAPACITOR	1uF 6.3V K	
D7201	1SS355-X	SI DIODE			C1061	NDC31HJ-4R0X	C CAPACITOR	4pF 50V J	
D7203	1SS355-X	SI DIODE			C1062	NBE40JM-476X	TA E CAPACITOR	47uF 6.3V M	
D7501	1SS355-X	SI DIODE			C1063	NCB21AK-225X	C CAPACITOR	2.2uF 10V K	
D7502	1SS355-X	SI DIODE			C1064	NCB31HK-103X	C CAPACITOR	0.01uF 50V K	
D9201	EC30HA04-X	SB DIODE			C1065	NCB30JK-105X	C CAPACITOR	1uF 6.3V K	
D9203	PTZ3.9B-X	Z DIODE			C1066	NBE40JM-476X	TA E CAPACITOR	47uF 6.3V M	
D9204	1SS355-X	SI DIODE			C1067	NCB30JK-105X	C CAPACITOR	1uF 6.3V K	
					C1068	NBE40JM-476X	TA E CAPACITOR	47uF 6.3V M	
C0104	NDC31HJ-390X	C CAPACITOR	39pF 50V J		C1069	NCB21AK-225X	C CAPACITOR	2.2uF 10V K	
C0105	NDC31HJ-330X	C CAPACITOR	33pF 50V J		C1071	NBE20GM-106X	TA E CAPACITOR	10uF 4V M	
C0107	NCB31CK-104X	C CAPACITOR	0.1uF 16V K		C1072	NBE20GM-106X	TA E CAPACITOR	10uF 4V M	
C0109	NCB11AK-106X	C CAPACITOR	10uF 10V K		C1073	NBE40JM-476X	TA E CAPACITOR	47uF 6.3V M	
C0110	NCB11AK-106X	C CAPACITOR	10uF 10V K		C1074	NBE40JM-476X	TA E CAPACITOR	47uF 6.3V M	
C0111	NDC31HJ-820X	C CAPACITOR	82pF 50V J		C1075	NBE40JM-476X	TA E CAPACITOR	47uF 6.3V M	
C0112	NDC31HJ-820X	C CAPACITOR	82pF 50V J		C1076	NBE20GM-106X	TA E CAPACITOR	10uF 4V M	
C0113	NCB11AK-106X	C CAPACITOR	10uF 10V K		C1077	NEHM1CM-476X	E CAPACITOR	47uF 16V M	
C0114	NCB31CK-104X	C CAPACITOR	0.1uF 16V K		C1081	NCB31HK-103X	C CAPACITOR	0.01uF 50V K	
C0115	NCB31CK-104X	C CAPACITOR	0.1uF 16V K		C1082	NCB31HK-103X	C CAPACITOR	0.01uF 50V K	
C0116	NCB11AK-106X	C CAPACITOR	10uF 10V K		C1083	NCB31HK-103X	C CAPACITOR	0.01uF 50V K	
C0117	NDC31HJ-560X	C CAPACITOR	56pF 50V J		C1084	NCB31HK-103X	C CAPACITOR	0.01uF 50V K	
C0118	NDC31HJ-151X	C CAPACITOR	150pF 50V J		C1085	NCB31HK-103X	C CAPACITOR	0.01uF 50V K	
C0204	NDC31HJ-390X	C CAPACITOR	39pF 50V J		C1086	NCB31HK-103X	C CAPACITOR	0.01uF 50V K	
C0205	NDC31HJ-330X	C CAPACITOR	33pF 50V J		C1087	NCB31HK-103X	C CAPACITOR	0.01uF 50V K	
C0206	NDC31HJ-390X	C CAPACITOR	39pF 50V J		C1102	NDC31HJ-330X	C CAPACITOR	33pF 50V J	
C0207	NCB31CK-104X	C CAPACITOR	0.1uF 16V K		C1103	NDC31HJ-680X	C CAPACITOR	68pF 50V J	
C0209	NCB11AK-106X	C CAPACITOR	10uF 10V K		C1104	NDC31HJ-560X	C CAPACITOR	56pF 50V J	
C0210	NCB11AK-106X	C CAPACITOR	10uF 10V K		C1105	NCF11CZ-475X	C CAPACITOR	4.7uF 16V Z	
C0211	NDC31HJ-820X	C CAPACITOR	82pF 50V J		C1106	NCB31CK-104X	C CAPACITOR	0.1uF 16V K	
C0212	NDC31HJ-820X	C CAPACITOR	82pF 50V J		C1107	NDC31HJ-560X	C CAPACITOR	56pF 50V J	
C0213	NCB11AK-106X	C CAPACITOR	10uF 10V K		C1109	NDC31HJ-151X	C CAPACITOR	150pF 50V J	
C0214	NCB31CK-104X	C CAPACITOR	0.1uF 16V K		C1111	NRSA63J-681X	MG RESISTOR	680Ω 1/16W J	
C0215	NCB31CK-104X	C CAPACITOR	0.1uF 16V K		C1202	NDC31HJ-330X	C CAPACITOR	33pF 50V J	
C0217	NDC31HJ-560X	C CAPACITOR	56pF 50V J		C1203	NDC31HJ-330X	C CAPACITOR	33pF 50V J	
C0218	NDC31HJ-151X	C CAPACITOR	150pF 50V J		C1204	NDC31HJ-560X	C CAPACITOR	56pF 50V J	
C0304	NDC31HJ-390X	C CAPACITOR	39pF 50V J		C1205	NCF11CZ-475X	C CAPACITOR	4.7uF 16V Z	
C0305	NDC31HJ-330X	C CAPACITOR	33pF 50V J		C1206	NCB31CK-104X	C CAPACITOR	0.1uF 16V K	
C0306	NDC31HJ-390X	C CAPACITOR	39pF 50V J		C1209	NDC31HJ-151X	C CAPACITOR	150pF 50V J	
C0307	NCB31CK-104X	C CAPACITOR	0.1uF 16V K		C1302	NDC31HJ-101X	C CAPACITOR	100pF 50V J	
C0309	NCB11AK-106X	C CAPACITOR	10uF 10V K		C1303	NDC31HJ-330X	C CAPACITOR	33pF 50V J	
C0310	NCB11AK-106X	C CAPACITOR	10uF 10V K		C1304	NDC31HJ-151X	C CAPACITOR	150pF 50V J	
C0311	NDC31HJ-820X	C CAPACITOR	82pF 50V J		C1305	NCF11CZ-475X	C CAPACITOR	4.7uF 16V Z	
C0312	NDC31HJ-820X	C CAPACITOR	82pF 50V J		C1306	NCB31CK-104X	C CAPACITOR	0.1uF 16V K	
C0313	NCB11AK-106X	C CAPACITOR	10uF 10V K		C1309	NDC31HJ-151X	C CAPACITOR	150pF 50V J	
C0314	NCB31CK-104X	C CAPACITOR	0.1uF 16V K		C1311	NDC31HJ-470X	C CAPACITOR	47pF 50V J	
C0315	NCB31CK-104X	C CAPACITOR	0.1uF 16V K		C1402	NDC31HJ-101X	C CAPACITOR	100pF 50V J	
C0317	NDC31HJ-560X	C CAPACITOR	56pF 50V J		C1403	NDC31HJ-330X	C CAPACITOR	33pF 50V J	
C0318	NDC31HJ-151X	C CAPACITOR	150pF 50V J		C1404	NDC31HJ-151X	C CAPACITOR	150pF 50V J	
C0401	NCB31CK-104X	C CAPACITOR	0.1uF 16V K		C1405	NCF11CZ-475X	C CAPACITOR	4.7uF 16V Z	

△Ref No.	Part No.	Part Name	Description	Local	△Ref No.	Part No.	Part Name	Description	Local
C1406	NCB31CK-104X	C CAPACITOR	0.1uF 16V K		C4005	NCB31AK-105X	C CAPACITOR	1uF 10V K	
C1409	NDC31HJ-151X	C CAPACITOR	150pF 50V J		C4006	NCB31AK-105X	C CAPACITOR	1uF 10V K	
C1411	NDC31HJ-470X	C CAPACITOR	47pF 50V J		C4008	NCF11CZ-475X	C CAPACITOR	4.7uF 16V Z	
C1502	NCJ41EK-106X-U	C CAPACITOR	10mF 25V K		C4009	NCB31AK-105X	C CAPACITOR	1uF 10V K	
C1508	NCF11CZ-475X	C CAPACITOR	4.7uF 16V Z		C4010	NCB31AK-105X	C CAPACITOR	1uF 10V K	
C1509	NCB31HK-103X	C CAPACITOR	0.01uF 50V K		C4011	NCF11CZ-475X	C CAPACITOR	4.7uF 16V Z	
C1511	NRSA63J-105X	MG RESISTOR	1MΩ 1/16W J		C4012	NCB31AK-105X	C CAPACITOR	1uF 10V K	
C3004	NCB31CK-104X	C CAPACITOR	0.1uF 16V K		C4013	NCB31AK-105X	C CAPACITOR	1uF 10V K	
C3006	NCB31CK-104X	C CAPACITOR	0.1uF 16V K		C4016	NCB31AK-105X	C CAPACITOR	1uF 10V K	
C3008	NCB31CK-104X	C CAPACITOR	0.1uF 16V K		C4020	NCB31AK-105X	C CAPACITOR	1uF 10V K	
C3009	NCB31CK-104X	C CAPACITOR	0.1uF 16V K		C4022	NCB31CK-104X	C CAPACITOR	0.1uF 16V K	
C3010	NCB31CK-104X	C CAPACITOR	0.1uF 16V K		C4023	NCB31CK-104X	C CAPACITOR	0.1uF 16V K	
C3016	NCB31CK-104X	C CAPACITOR	0.1uF 16V K		C4029	NDC31HJ-470X	C CAPACITOR	47pF 50V J	
C3018	NCB31CK-104X	C CAPACITOR	0.1uF 16V K		C4030	NDC31HJ-470X	C CAPACITOR	47pF 50V J	
C3019	NCB31CK-104X	C CAPACITOR	0.1uF 16V K		C4031	NCB11AK-106X	C CAPACITOR	10uF 10V K	
C3021	NCB31CK-104X	C CAPACITOR	0.1uF 16V K		C4901	NCB31HK-103X	C CAPACITOR	0.01uF 50V K	
C3022	NBZ0007-107X	SP E CAPACITOR	100uF 4V M		C4902	NCB31HK-103X	C CAPACITOR	0.01uF 50V K	
C3023	NCB31CK-104X	C CAPACITOR	0.1uF 16V K		C4906	NCB31HK-103X	C CAPACITOR	0.01uF 50V K	
C3025	NCB11AK-106X	C CAPACITOR	10uF 10V K		C4907	NCB31HK-103X	C CAPACITOR	0.01uF 50V K	
C3026	NCB11AK-106X	C CAPACITOR	10uF 10V K		C4908	NCB31HK-103X	C CAPACITOR	0.01uF 50V K	
C3028	NDC31HJ-221X	C CAPACITOR	220pF 50V J		C4909	NCB31HK-103X	C CAPACITOR	0.01uF 50V K	
C3030	NCB31CK-104X	C CAPACITOR	0.1uF 16V K		C4910	NCB31HK-103X	C CAPACITOR	0.01uF 50V K	
C3031	NCB31CK-104X	C CAPACITOR	0.1uF 16V K		C4913	NCB31HK-103X	C CAPACITOR	0.01uF 50V K	
C3032	NCB31CK-104X	C CAPACITOR	0.1uF 16V K		C4914	NCB31HK-103X	C CAPACITOR	0.01uF 50V K	
C3037	NCB31CK-104X	C CAPACITOR	0.1uF 16V K		C4915	NCB31HK-103X	C CAPACITOR	0.01uF 50V K	
C3040	NCB31CK-104X	C CAPACITOR	0.1uF 16V K		C4916	NCB31HK-103X	C CAPACITOR	0.01uF 50V K	
C3041	NDC31HJ-101X	C CAPACITOR	100pF 50V J		C4917	NCB31HK-103X	C CAPACITOR	0.01uF 50V K	
C3042	NCB31CK-104X	C CAPACITOR	0.1uF 16V K		C4919	NCB31HK-103X	C CAPACITOR	0.01uF 50V K	
C3043	NDC31HJ-101X	C CAPACITOR	100pF 50V J		C4920	NCB31HK-103X	C CAPACITOR	0.01uF 50V K	
C3044	NCB31CK-104X	C CAPACITOR	0.1uF 16V K		C4921	NCB31HK-103X	C CAPACITOR	0.01uF 50V K	
C3045	NCB31CK-104X	C CAPACITOR	0.1uF 16V K		C4922	NCB31HK-103X	C CAPACITOR	0.01uF 50V K	
C3047	NCB31CK-104X	C CAPACITOR	0.1uF 16V K		C4923	NCB31HK-103X	C CAPACITOR	0.01uF 50V K	
C3049	NCB31CK-104X	C CAPACITOR	0.1uF 16V K		C4925	NCB31HK-103X	C CAPACITOR	0.01uF 50V K	
C3051	NCB31HK-472X	C CAPACITOR	4700pF 50V K		C4926	NCB31HK-103X	C CAPACITOR	0.01uF 50V K	
C3052	NCB31AK-334X	C CAPACITOR	0.33uF 10V K		C4931	NCB31HK-103X	C CAPACITOR	0.01uF 50V K	
C3056	NCB31AK-334X	C CAPACITOR	0.33uF 10V K		C4932	NCB31HK-103X	C CAPACITOR	0.01uF 50V K	
C3059	NCB31HK-223X	C CAPACITOR	0.022uF 50V K		C4933	NCB31HK-103X	C CAPACITOR	0.01uF 50V K	
C3060	NCB31HK-152X	C CAPACITOR	1500pF 50V K		C4934	NCB31HK-103X	C CAPACITOR	0.01uF 50V K	
C3063	NCB31CK-104X	C CAPACITOR	0.1uF 16V K		C4935	NCB31HK-103X	C CAPACITOR	0.01uF 50V K	
C3065	NCB31CK-104X	C CAPACITOR	0.1uF 16V K		C4936	NCB31HK-103X	C CAPACITOR	0.01uF 50V K	
C3066	NCB31CK-104X	C CAPACITOR	0.1uF 16V K		C4937	NCB31HK-103X	C CAPACITOR	0.01uF 50V K	
C3067	NCB31CK-104X	C CAPACITOR	0.1uF 16V K		C4938	NCB31HK-103X	C CAPACITOR	0.01uF 50V K	
C3068	NCB31CK-104X	C CAPACITOR	0.1uF 16V K		C4939	NCB31HK-103X	C CAPACITOR	0.01uF 50V K	
C3069	NCB31CK-104X	C CAPACITOR	0.1uF 16V K		C4940	NCB31HK-103X	C CAPACITOR	0.01uF 50V K	
C3070	NCB31CK-104X	C CAPACITOR	0.1uF 16V K		C4941	NCB31HK-103X	C CAPACITOR	0.01uF 50V K	
C3071	NCB31CK-104X	C CAPACITOR	0.1uF 16V K		C4942	NCB31HK-103X	C CAPACITOR	0.01uF 50V K	
C3072	NCB31CK-104X	C CAPACITOR	0.1uF 16V K		C6013	NCB31CK-104X	C CAPACITOR	0.1uF 16V K	
C3074	NCB31CK-104X	C CAPACITOR	0.1uF 16V K		C6014	NCB31CK-104X	C CAPACITOR	0.1uF 16V K	
C3076	NCB31CK-104X	C CAPACITOR	0.1uF 16V K		C6015	NCB31CK-104X	C CAPACITOR	0.1uF 16V K	
C3097	NCB30JK-225X	C CAPACITOR	2.2uF 6.3V K		C6512	NCB31CK-104X	C CAPACITOR	0.1uF 16V K	
C3101	NCB30JK-225X	C CAPACITOR	2.2uF 6.3V K		C6513	NCB31CK-104X	C CAPACITOR	0.1uF 16V K	
C3105	NCB30JK-225X	C CAPACITOR	2.2uF 6.3V K		C6514	NCB31CK-104X	C CAPACITOR	0.1uF 16V K	
C3107	NCB31HK-103X	C CAPACITOR	0.01uF 50V K		C6515	NCB31CK-104X	C CAPACITOR	0.1uF 16V K	
C3109	NCB31HK-103X	C CAPACITOR	0.01uF 50V K		C6516	NCB31CK-104X	C CAPACITOR	0.1uF 16V K	
C3111	NCB31CK-104X	C CAPACITOR	0.1uF 16V K		C6520	NCB31CK-104X	C CAPACITOR	0.1uF 16V K	
C3112	NCB31HK-103X	C CAPACITOR	0.01uF 50V K		C6521	NCB31CK-104X	C CAPACITOR	0.1uF 16V K	
C3127	NDC31HJ-470X	C CAPACITOR	47pF 50V J		C6522	NCB31CK-104X	C CAPACITOR	0.1uF 16V K	
C3128	NDC31HJ-470X	C CAPACITOR	47pF 50V J		C6523	NCB11AK-106X	C CAPACITOR	10uF 10V K	
C3129	NDC31HJ-470X	C CAPACITOR	47pF 50V J		C7001	NCB31AK-105X	C CAPACITOR	1uF 10V K	
C3406	NCB31HK-102X	C CAPACITOR	1000pF 50V K		C7002	NCB31AK-105X	C CAPACITOR	1uF 10V K	
C3501	NCF31CZ-474X	C CAPACITOR	0.47uF 16V Z		C7003	NCF11CZ-475X	C CAPACITOR	4.7uF 16V Z	
C3503	NCF31CZ-474X	C CAPACITOR	0.47uF 16V Z		C7006	NDC31HJ-150X	C CAPACITOR	15pF 50V J	
C3506	NCB30JK-225X	C CAPACITOR	2.2uF 6.3V K		C7007	NCB31AK-105X	C CAPACITOR	1uF 10V K	
C3507	NCF31CZ-474X	C CAPACITOR	0.47uF 16V Z		C7012	NCB31CK-104X	C CAPACITOR	0.1uF 16V K	
C3508	NCF31CZ-474X	C CAPACITOR	0.47uF 16V Z		C7013	NCB31HK-103X	C CAPACITOR	0.01uF 50V K	
C3509	NCB30JK-225X	C CAPACITOR	2.2uF 6.3V K		C7017	NDC31HJ-391X	C CAPACITOR	390pF 50V J	
C3511	NCF31CZ-474X	C CAPACITOR	0.47uF 16V Z		C7018	NCB31AK-105X	C CAPACITOR	1uF 10V K	
C3515	NCB31CK-104X	C CAPACITOR	0.1uF 16V K		C7025	NCB31CK-104X	C CAPACITOR	0.1uF 16V K	
C3516	NCF31CZ-474X	C CAPACITOR	0.47uF 16V Z		C7201	NCB31AK-105X	C CAPACITOR	1uF 10V K	
C3517	NCF31CZ-474X	C CAPACITOR	0.47uF 16V Z		C7202	NCB31CK-104X	C CAPACITOR	0.1uF 16V K	
C3518	NCB31CK-104X	C CAPACITOR	0.1uF 16V K		C7203	NCB31CK-104X	C CAPACITOR	0.1uF 16V K	
C3519	NCB31CK-104X	C CAPACITOR	0.1uF 16V K		C7401	NCB31CK-104X	C CAPACITOR	0.1uF 16V K	
C3524	NCB31CK-104X	C CAPACITOR	0.1uF 16V K		C7402	NDC31HJ-101X	C CAPACITOR	100pF 50V J	
C3527	NCF31CZ-474X	C CAPACITOR	0.47uF 16V Z		C7403	NCB31HK-102X	C CAPACITOR	1000pF 50V K	
C3530	NCB31CK-104X	C CAPACITOR	0.1uF 16V K		C7501	NCF31CZ-104X	C CAPACITOR	0.1uF 16V Z	
C3531	NCB31CK-104X	C CAPACITOR	0.1uF 16V K		C7502	NCF31CZ-104X	C CAPACITOR	0.1uF 16V Z	
C3532	NCB30JK-225X	C CAPACITOR	2.2uF 6.3V K		C7503	NCF31CZ-104X	C CAPACITOR	0.1uF 16V Z	
C3533	NCB30JK-225X	C CAPACITOR	2.2uF 6.3V K		C7504	NCF31CZ-104X	C CAPACITOR	0.1uF 16V Z	
C3535	NCF31CZ-474X	C CAPACITOR	0.47uF 16V Z		C7505	NCF31CZ-104X	C CAPACITOR	0.1uF 16V Z	
C3539	NCF31CZ-474X	C CAPACITOR	0.47uF 16V Z		C7506	NCF31CZ-104X	C CAPACITOR	0.1uF 16V Z	
C3540	NCF31CZ-474X	C CAPACITOR	0.47uF 16V Z		C7507	NCF31CZ-104X	C CAPACITOR	0.1uF 16V Z	
C3542	NCF31CZ-474X	C CAPACITOR	0.47uF 16V Z		C7508	NCF31CZ-104X	C CAPACITOR	0.1uF 16V Z	
C3543	NCB31CK-104X	C CAPACITOR	0.1uF 16V K		C7509	NCF31CZ-104X	C CAPACITOR	0.1uF 16V Z	
C3548	NCB31CK-104X	C CAPACITOR	0.1uF 16V K		C7510	NEHM1CM-106X	E CAPACITOR	10uF 16V M	
C3549	NBZ0007-107X	SP E CAPACITOR	100uF 4V M		C7511	NCF31CZ-104X	C CAPACITOR	0.1uF 16V Z	
C3550	NCB31CK-104X	C CAPACITOR	0.1uF 16V K		C7512	NCF31CZ-104X	C CAPACITOR	0.1uF 16V Z	
C3551	NBZ0007-107X	SP E CAPACITOR	100uF 4V M		C7513	NCF31CZ-104X	C CAPACITOR	0.1uF 16V Z	
C3552	NCB31CK-104X	C CAPACITOR	0.1uF 16V K		C7515	NCF31CZ-104X	C CAPACITOR	0.1uF 16V Z	
C4002	NCB31CK-104X	C CAPACITOR	0.1uF 16V K		C7516	NDC31HJ-330X	C CAPACITOR	33pF 50V J	
C4003	NCB31CK-104X	C CAPACITOR	0.1uF 16V K		C7517	NDC31HJ-270X	C CAPACITOR	27pF 50V J	

△Ref No.	Part No.	Part Name	Description	Local	△Ref No.	Part No.	Part Name	Description	Local
C7518	NRSA63J-0R0X	MG RESISTOR	0Ω 1/16W J		R0243	NRSA63J-103X	MG RESISTOR	10kΩ 1/16W J	
C7520	NCF31CZ-104X	C CAPACITOR	0.1uF 16V Z		R0305	NRSA63J-101X	MG RESISTOR	100Ω 1/16W J	
C7522	NEHM1CM-106X	E CAPACITOR	10uF 16V M		R0306	NRSA63J-331X	MG RESISTOR	330Ω 1/16W J	
C7523	NEHM1CM-476X	E CAPACITOR	47uF 16V M		R0307	NRSA63J-331X	MG RESISTOR	330Ω 1/16W J	
C7524	NEHM1CM-476X	E CAPACITOR	47uF 16V M		R0308	NRSA63J-681X	MG RESISTOR	680Ω 1/16W J	
C7525	NCF31CZ-104X	C CAPACITOR	0.1uF 16V Z		R0309	NRSA63J-151X	MG RESISTOR	150Ω 1/16W J	
C7526	NCF31CZ-104X	C CAPACITOR	0.1uF 16V Z		R0310	NRSA63J-101X	MG RESISTOR	100Ω 1/16W J	
C7527	NCF31CZ-104X	C CAPACITOR	0.1uF 16V Z		R0311	NRSA63J-472X	MG RESISTOR	4.7kΩ 1/16W J	
C7528	NCF31CZ-104X	C CAPACITOR	0.1uF 16V Z		R0314	NRSA63J-472X	MG RESISTOR	4.7kΩ 1/16W J	
C7529	NCF31CZ-104X	C CAPACITOR	0.1uF 16V Z		R0316	NRSA63J-101X	MG RESISTOR	100Ω 1/16W J	
C7530	NCF31CZ-104X	C CAPACITOR	0.1uF 16V Z		R0319	NRSA63J-271X	MG RESISTOR	270Ω 1/16W J	
C7531	NEHM1CM-476X	E CAPACITOR	47uF 16V M		R0321	NRSA63J-101X	MG RESISTOR	100Ω 1/16W J	
C7532	NCF31CZ-104X	C CAPACITOR	0.1uF 16V Z		R0322	NRSA63J-102X	MG RESISTOR	1kΩ 1/16W J	
C7533	NCF31CZ-104X	C CAPACITOR	0.1uF 16V Z		R0325	NRSA63J-222X	MG RESISTOR	2.2kΩ 1/16W J	
C7534	NCB11AK-106X	C CAPACITOR	10uF 10V K		R0326	NRSA63J-472X	MG RESISTOR	4.7kΩ 1/16W J	
C7535	NCF31CZ-104X	C CAPACITOR	0.1uF 16V Z		R0327	NRSA63J-181X	MG RESISTOR	180Ω 1/16W J	
C7536	NDC31HJ-470X	C CAPACITOR	47pF 50V J		R0328	NRSA63J-102X	MG RESISTOR	1kΩ 1/16W J	
C7541	NCB31HK-103X	C CAPACITOR	0.01uF 50V K		R0329	NRSA63J-103X	MG RESISTOR	10kΩ 1/16W J	
C7542	NEHLOGM-227X	E CAPACITOR	220uF 4V M		R0331	NRSA63J-472X	MG RESISTOR	4.7kΩ 1/16W J	
C7543	NCB30JK-225X	C CAPACITOR	2.2uF 6.3V K		R0332	NRSA63J-472X	MG RESISTOR	4.7kΩ 1/16W J	
C7544	NEHLOJM-107X	E CAPACITOR	100uF 6.3V M		R0333	NRSA63J-0R0X	MG RESISTOR	0Ω 1/16W J	
C7545	NCB30JK-225X	C CAPACITOR	2.2uF 6.3V K		R0334	NRSA63J-472X	MG RESISTOR	4.7kΩ 1/16W J	
C7546	NCF31CZ-104X	C CAPACITOR	0.1uF 16V Z		R0337	NRSA63J-271X	MG RESISTOR	270Ω 1/16W J	
C7547	NCB30JK-225X	C CAPACITOR	2.2uF 6.3V K		R0338	NRSA63J-330X	MG RESISTOR	33Ω 1/16W J	
C7548	NEHLOGM-227X	E CAPACITOR	220uF 4V M		R0340	NRSA63J-182X	MG RESISTOR	1.8kΩ 1/16W J	
C7550	NCB31HK-103X	C CAPACITOR	0.01uF 50V K		R0341	NRSA63J-472X	MG RESISTOR	4.7kΩ 1/16W J	
C7552	NCB31AK-105X	C CAPACITOR	1uF 10V K		R0342	NRSA63J-472X	MG RESISTOR	4.7kΩ 1/16W J	
C7557	NCB31CK-104X	C CAPACITOR	0.1uF 16V K		R0343	NRSA63J-103X	MG RESISTOR	10kΩ 1/16W J	
C7616	NCB11CK-105X	C CAPACITOR	1uF 16V K		R0344	NRSA63J-472X	MG RESISTOR	4.7kΩ 1/16W J	
C9001	NEHM1CM-476X	E CAPACITOR	47uF 16V M		R0345	NRSA63J-472X	MG RESISTOR	4.7kΩ 1/16W J	
C9002	NEHM1CM-476X	E CAPACITOR	47uF 16V M		R0501	NRSA63J-0R0X	MG RESISTOR	0Ω 1/16W J	
C9003	NEHM1CM-476X	E CAPACITOR	47uF 16V M		R0502	NRSA63J-0R0X	MG RESISTOR	0Ω 1/16W J	
C9202	NCJ41HK-335X-U	C CAPACITOR			R0504	NRSA63J-0R0X	MG RESISTOR	0Ω 1/16W J	
C9203	NCB31EK-393X	C CAPACITOR	0.039uF 25V K		R0506	NRSA63J-0R0X	MG RESISTOR	0Ω 1/16W J	
C9204	NCB31HK-103X	C CAPACITOR	0.01uF 50V K		R0507	NRSA63J-0R0X	MG RESISTOR	0Ω 1/16W J	
C9205	NCJ41CK-226X-U	C CAPACITOR	22mF 16V K		R0508	NRSA63J-0R0X	MG RESISTOR	0Ω 1/16W J	
C9207	NCB31HK-222X	C CAPACITOR	2200pF 50V K		R0516	NRSA63J-0R0X	MG RESISTOR	0Ω 1/16W J	
C9209	NELA1AM-157X	E CAPACITOR	150uF 10V M		R0517	NRSA63J-0R0X	MG RESISTOR	0Ω 1/16W J	
C9211	NCB31HK-153X	C CAPACITOR	0.015uF 50V K		R0518	NRSA63J-0R0X	MG RESISTOR	0Ω 1/16W J	
C9212	NCB31HK-222X	C CAPACITOR	2200pF 50V K		R0519	NRSA63J-0R0X	MG RESISTOR	0Ω 1/16W J	
R0105	NRSA63J-101X	MG RESISTOR	100Ω 1/16W J		R0520	NRSA63J-0R0X	MG RESISTOR	0Ω 1/16W J	
R0106	NRSA63J-331X	MG RESISTOR	330Ω 1/16W J		R0522	NRSA63J-0R0X	MG RESISTOR	0Ω 1/16W J	
R0107	NRSA63J-331X	MG RESISTOR	330Ω 1/16W J		R0523	NRSA63J-0R0X	MG RESISTOR	0Ω 1/16W J	
R0109	NRSA63J-101X	MG RESISTOR	100Ω 1/16W J		R0524	NRSA63J-0R0X	MG RESISTOR	0Ω 1/16W J	
R0110	NRSA63J-101X	MG RESISTOR	100Ω 1/16W J		R0526	NRSA63J-0R0X	MG RESISTOR	0Ω 1/16W J	
R0114	NRSA63J-472X	MG RESISTOR	4.7kΩ 1/16W J		R0527	NRSA63J-0R0X	MG RESISTOR	0Ω 1/16W J	
R0116	NRSA63J-101X	MG RESISTOR	100Ω 1/16W J		R1001	NRSA63J-274X	MG RESISTOR	270kΩ 1/16W J	
R0119	NRSA63J-271X	MG RESISTOR	270Ω 1/16W J		R1002	NRSA63D-101X	MG RESISTOR	100Ω 1/16W D	
R0121	NRSA63J-101X	MG RESISTOR	100Ω 1/16W J		R1004	NRSA63J-221X	MG RESISTOR	220Ω 1/16W J	
R0122	NRSA63J-102X	MG RESISTOR	1kΩ 1/16W J		R1005	NRSA63J-103X	MG RESISTOR	10kΩ 1/16W J	
R0125	NRSA63J-222X	MG RESISTOR	2.2kΩ 1/16W J		R1006	NRSA63J-101X	MG RESISTOR	100Ω 1/16W J	
R0126	NRSA63J-103X	MG RESISTOR	10kΩ 1/16W J		R1007	NRSA63J-101X	MG RESISTOR	100Ω 1/16W J	
R0127	NRSA63J-0R0X	MG RESISTOR	0Ω 1/16W J		R1010	NRSA63J-183X	MG RESISTOR	18kΩ 1/16W J	
R0128	NRSA63J-102X	MG RESISTOR	1kΩ 1/16W J		R1011	NQL093K-R10X	COIL	0.1uH K	
R0129	NRSA63J-103X	MG RESISTOR	10kΩ 1/16W J		R1012	NRSA63J-152X	MG RESISTOR	1.5kΩ 1/16W J	
R0131	NRSA63J-472X	MG RESISTOR	4.7kΩ 1/16W J		R1013	NRSA63J-122X	MG RESISTOR	1.2kΩ 1/16W J	
R0132	NRSA63J-472X	MG RESISTOR	4.7kΩ 1/16W J		R1014	NRSA63J-101X	MG RESISTOR	100Ω 1/16W J	
R0133	NRSA63J-0R0X	MG RESISTOR	0Ω 1/16W J		R1017	NRSA63J-101X	MG RESISTOR	100Ω 1/16W J	
R0134	NRSA63J-472X	MG RESISTOR	4.7kΩ 1/16W J		R1018	NRSA63J-332X	MG RESISTOR	3.3kΩ 1/16W J	
R0137	NRSA63J-151X	MG RESISTOR	150Ω 1/16W J		R1019	NRSA63J-0R0X	MG RESISTOR	0Ω 1/16W J	
R0138	NRSA63J-330X	MG RESISTOR	33Ω 1/16W J		R1021	NRSA63J-101X	MG RESISTOR	100Ω 1/16W J	
R0140	NRSA63J-182X	MG RESISTOR	1.8kΩ 1/16W J		R1022	NRSA63J-101X	MG RESISTOR	100Ω 1/16W J	
R0141	NRSA63J-472X	MG RESISTOR	4.7kΩ 1/16W J		R1025	NRSA63J-101X	MG RESISTOR	100Ω 1/16W J	
R0205	NRSA63J-101X	MG RESISTOR	100Ω 1/16W J		R1026	NRSA63J-103X	MG RESISTOR	10kΩ 1/16W J	
R0206	NRSA63J-331X	MG RESISTOR	330Ω 1/16W J		R1027	NRSA63J-103X	MG RESISTOR	10kΩ 1/16W J	
R0207	NRSA63J-331X	MG RESISTOR	330Ω 1/16W J		R1028	NRSA63J-103X	MG RESISTOR	10kΩ 1/16W J	
R0208	NRSA63J-681X	MG RESISTOR	680Ω 1/16W J		R1029	NRSA63J-103X	MG RESISTOR	10kΩ 1/16W J	
R0209	NRSA63J-151X	MG RESISTOR	150Ω 1/16W J		R1030	NRSA63J-103X	MG RESISTOR	10kΩ 1/16W J	
R0210	NRSA63J-101X	MG RESISTOR	100Ω 1/16W J		R1101	NRSA63J-182X	MG RESISTOR	1.8kΩ 1/16W J	
R0211	NRSA63J-472X	MG RESISTOR	4.7kΩ 1/16W J		R1102	NRSA63J-101X	MG RESISTOR	100Ω 1/16W J	
R0214	NRSA63J-472X	MG RESISTOR	4.7kΩ 1/16W J		R1104	NRSA63J-332X	MG RESISTOR	3.3kΩ 1/16W J	
R0216	NRSA63J-101X	MG RESISTOR	100Ω 1/16W J		R1105	NRSA63J-561X	MG RESISTOR	560Ω 1/16W J	
R0219	NRSA63J-271X	MG RESISTOR	270Ω 1/16W J		R1106	NRSA63J-561X	MG RESISTOR	560Ω 1/16W J	
R0221	NRSA63J-101X	MG RESISTOR	100Ω 1/16W J		R1107	NRSA63J-331X	MG RESISTOR	330Ω 1/16W J	
R0222	NRSA63J-102X	MG RESISTOR	1kΩ 1/16W J		R1108	NRSA63J-681X	MG RESISTOR	680Ω 1/16W J	
R0225	NRSA63J-222X	MG RESISTOR	2.2kΩ 1/16W J		R1113	NRSA63J-330X	MG RESISTOR	33Ω 1/16W J	
R0226	NRSA63J-472X	MG RESISTOR	4.7kΩ 1/16W J		R1114	NRSA63J-0R0X	MG RESISTOR	0Ω 1/16W J	
R0227	NRSA63J-181X	MG RESISTOR	180Ω 1/16W J		R1115	NRSA63J-0R0X	MG RESISTOR	0Ω 1/16W J	
R0228	NRSA63J-102X	MG RESISTOR	1kΩ 1/16W J		R1201	NRSA63J-182X	MG RESISTOR	1.8kΩ 1/16W J	
R0229	NRSA63J-103X	MG RESISTOR	10kΩ 1/16W J		R1203	NRSA63J-101X	MG RESISTOR	100Ω 1/16W J	
R0231	NRSA63J-472X	MG RESISTOR	4.7kΩ 1/16W J		R1204	NRSA63J-332X	MG RESISTOR	3.3kΩ 1/16W J	
R0232	NRSA63J-472X	MG RESISTOR	4.7kΩ 1/16W J		R1205	NRSA63J-561X	MG RESISTOR	560Ω 1/16W J	
R0233	NRSA63J-0R0X	MG RESISTOR	0Ω 1/16W J		R1206	NRSA63J-471X	MG RESISTOR	470Ω 1/16W J	
R0234	NRSA63J-472X	MG RESISTOR	4.7kΩ 1/16W J		R1207	NRSA63J-331X	MG RESISTOR	330Ω 1/16W J	
R0237	NRSA63J-271X	MG RESISTOR	270Ω 1/16W J		R1213	NRSA63J-330X	MG RESISTOR	33Ω 1/16W J	
R0238	NRSA63J-330X	MG RESISTOR	33Ω 1/16W J		R1301	NRSA63J-182X	MG RESISTOR	1.8kΩ 1/16W J	
R0240	NRSA63J-182X	MG RESISTOR	1.8kΩ 1/16W J		R1303	NRSA63J-101X	MG RESISTOR	100Ω 1/16W J	
R0241	NRSA63J-472X	MG RESISTOR	4.7kΩ 1/16W J		R1304	NRSA63J-332X	MG RESISTOR	3.3kΩ 1/16W J	
R0242	NRSA63J-472X	MG RESISTOR	4.7kΩ 1/16W J		R1305	NRSA63J-561X	MG RESISTOR	560Ω 1/16W J	
					R1306	NRSA63J-471X	MG RESISTOR	470Ω 1/16W J	

△Ref No.	Part No.	Part Name	Description	Local	△Ref No.	Part No.	Part Name	Description	Local
R1307	NRSA63J-561X	MG RESISTOR	560Ω 1/16W J		R3166	NRSA63J-0R0X	MG RESISTOR	0Ω 1/16W J	
R1313	NRSA63J-330X	MG RESISTOR	33Ω 1/16W J		R3167	NRSA63J-0R0X	MG RESISTOR	0Ω 1/16W J	
R1401	NRSA63J-182X	MG RESISTOR	1.8kΩ 1/16W J		R3169	NRSA02J-0R0X	MG RESISTOR	0Ω 1/10W J	
R1403	NRSA63J-101X	MG RESISTOR	100Ω 1/16W J		R3170	NRS144J-0R0X	MG RESISTOR	0Ω 1/4W J	
R1404	NRSA63J-332X	MG RESISTOR	3.3kΩ 1/16W J		R3171	NRSA63J-0R0X	MG RESISTOR	0Ω 1/16W J	
R1405	NRSA63J-561X	MG RESISTOR	560Ω 1/16W J		R3181	NRS144J-0R0X	MG RESISTOR	0Ω 1/4W J	
R1406	NRSA63J-471X	MG RESISTOR	470Ω 1/16W J		R3207	NRS144J-0R0X	MG RESISTOR	0Ω 1/4W J	
R1407	NRSA63J-561X	MG RESISTOR	560Ω 1/16W J		R3502	NRSA63J-510X	MG RESISTOR	51Ω 1/16W J	
R1413	NRSA63J-330X	MG RESISTOR	33Ω 1/16W J		R3503	NRSA63J-510X	MG RESISTOR	51Ω 1/16W J	
R1523	NCB31CK-104X	C CAPACITOR	0.1uF 16V K		R3505	NRSA63J-510X	MG RESISTOR	51Ω 1/16W J	
R1524	NRSA63J-474X	MG RESISTOR	470kΩ 1/16W J		R3507	NRSA63J-510X	MG RESISTOR	51Ω 1/16W J	
R1525	NRSA63J-0R0X	MG RESISTOR	0Ω 1/16W J		R3509	NRSA63J-510X	MG RESISTOR	51Ω 1/16W J	
R1584	NRSA63J-0R0X	MG RESISTOR	0Ω 1/16W J		R3511	NRSA63J-510X	MG RESISTOR	51Ω 1/16W J	
R2152	NRSA63J-0R0X	MG RESISTOR	0Ω 1/16W J		R3514	NRSA63J-510X	MG RESISTOR	51Ω 1/16W J	
R3001	NRSA63J-103X	MG RESISTOR	10kΩ 1/16W J		R3516	NRSA63J-510X	MG RESISTOR	51Ω 1/16W J	
R3004	NRSA63J-103X	MG RESISTOR	10kΩ 1/16W J		R3518	NRSA63J-510X	MG RESISTOR	51Ω 1/16W J	
R3006	NRSA63J-0R0X	MG RESISTOR	0Ω 1/16W J		R3520	NRSA63J-510X	MG RESISTOR	51Ω 1/16W J	
R3007	NRSA63J-0R0X	MG RESISTOR	0Ω 1/16W J		R3522	NRSA63J-510X	MG RESISTOR	51Ω 1/16W J	
R3008	NRSA63J-0R0X	MG RESISTOR	0Ω 1/16W J		R3524	NRSA63J-510X	MG RESISTOR	51Ω 1/16W J	
R3009	NRSA63J-0R0X	MG RESISTOR	0Ω 1/16W J		R3525	NRSA63J-510X	MG RESISTOR	51Ω 1/16W J	
R3012	NRSA63J-0R0X	MG RESISTOR	0Ω 1/16W J		R3527	NRSA63J-510X	MG RESISTOR	51Ω 1/16W J	
R3013	NRSA63J-0R0X	MG RESISTOR	0Ω 1/16W J		R3529	NRSA63J-510X	MG RESISTOR	51Ω 1/16W J	
R3014	NRSA63J-0R0X	MG RESISTOR	0Ω 1/16W J		R3531	NRSA63J-510X	MG RESISTOR	51Ω 1/16W J	
R3015	NRSA63J-0R0X	MG RESISTOR	0Ω 1/16W J		R3533	NRSA63J-510X	MG RESISTOR	51Ω 1/16W J	
R3018	NRSA02J-3R3X	MG RESISTOR	3.3Ω 1/10W J		R3536	NRSA63J-510X	MG RESISTOR	51Ω 1/16W J	
R3019	NRSA02J-3R3X	MG RESISTOR	3.3Ω 1/10W J		R3538	NRSA63J-510X	MG RESISTOR	51Ω 1/16W J	
R3020	NRSA02J-3R3X	MG RESISTOR	3.3Ω 1/10W J		R3540	NRSA63J-510X	MG RESISTOR	51Ω 1/16W J	
R3021	NRSA63D-102X	MG RESISTOR	1kΩ 1/16W D		R3542	NRSA63J-510X	MG RESISTOR	51Ω 1/16W J	
R3022	NRSA63D-332X	MG RESISTOR	3.3kΩ 1/16W D		R3544	NRSA63J-510X	MG RESISTOR	51Ω 1/16W J	
R3023	NRSA63D-332X	MG RESISTOR	3.3kΩ 1/16W D		R4004	NRSA63J-103X	MG RESISTOR	10kΩ 1/16W J	
R3024	NRSA63J-102X	MG RESISTOR	1kΩ 1/16W J		R4005	NRSA63J-103X	MG RESISTOR	10kΩ 1/16W J	
R3028	NRSA63J-102X	MG RESISTOR	1kΩ 1/16W J		R4006	NRSA63J-0R0X	MG RESISTOR	0Ω 1/16W J	
R3029	NRSA63D-392X	MG RESISTOR	3.9kΩ 1/16W D		R4007	NRSA63J-0R0X	MG RESISTOR	0Ω 1/16W J	
R3030	NRSA63D-102X	MG RESISTOR	1kΩ 1/16W D		R4008	NRSA63J-101X	MG RESISTOR	100Ω 1/16W J	
R3031	NRSA63D-151X	MG RESISTOR	150Ω 1/16W D		R4015	NRSA63J-0R0X	MG RESISTOR	0Ω 1/16W J	
R3032	NRSA63J-5R6X	MG RESISTOR	5.6Ω 1/16W J		R4016	NRSA63J-103X	MG RESISTOR	10kΩ 1/16W J	
R3033	NRSA63J-5R6X	MG RESISTOR	5.6Ω 1/16W J		R4018	NRSA63J-0R0X	MG RESISTOR	0Ω 1/16W J	
R3034	NRSA63J-5R6X	MG RESISTOR	5.6Ω 1/16W J		R4019	NRSA63J-0R0X	MG RESISTOR	0Ω 1/16W J	
R3036	NRSA63J-102X	MG RESISTOR	1kΩ 1/16W J		R4023	NRSA63J-101X	MG RESISTOR	100Ω 1/16W J	
R3037	NRSA63J-220X	MG RESISTOR	22Ω 1/16W J		R4024	NRSA63J-101X	MG RESISTOR	100Ω 1/16W J	
R3038	NRSA63J-472X	MG RESISTOR	4.7kΩ 1/16W J		R4027	NRSA63J-103X	MG RESISTOR	10kΩ 1/16W J	
R3040	NRSA63J-201X	MG RESISTOR	200Ω 1/16W J		R4028	NRSA63J-103X	MG RESISTOR	10kΩ 1/16W J	
R3041	NRSA63J-102X	MG RESISTOR	1kΩ 1/16W J		R4035	NRSA63J-103X	MG RESISTOR	10kΩ 1/16W J	
R3042	NRSA63J-201X	MG RESISTOR	200Ω 1/16W J		R4037	NRSA63J-103X	MG RESISTOR	10kΩ 1/16W J	
R3043	NRSA63J-562X	MG RESISTOR	5.6kΩ 1/16W J		R4039	NRSA63J-103X	MG RESISTOR	10kΩ 1/16W J	
R3044	NRSA63J-821X	MG RESISTOR	820Ω 1/16W J		R4041	NRSA63J-103X	MG RESISTOR	10kΩ 1/16W J	
R3045	NRSA63J-220X	MG RESISTOR	22Ω 1/16W J		R4042	NRSA63J-0R0X	MG RESISTOR	0Ω 1/16W J	
R3047	NRSA63J-562X	MG RESISTOR	5.6kΩ 1/16W J		R4044	NRSA63J-0R0X	MG RESISTOR	0Ω 1/16W J	
R3048	NRSA63J-821X	MG RESISTOR	820Ω 1/16W J		R4046	NRSA63J-103X	MG RESISTOR	10kΩ 1/16W J	
R3053	NRSA63J-272X	MG RESISTOR	2.7kΩ 1/16W J		R4055	NRSA63J-0R0X	MG RESISTOR	0Ω 1/16W J	
R3054	NRSA63J-0R0X	MG RESISTOR	0Ω 1/16W J		R4056	NRSA63J-102X	MG RESISTOR	1kΩ 1/16W J	
R3056	NRSA63J-0R0X	MG RESISTOR	0Ω 1/16W J		R4057	NRSA63J-221X	MG RESISTOR	220Ω 1/16W J	
R3063	NRSA63J-101X	MG RESISTOR	100Ω 1/16W J		R4058	NRSA63J-221X	MG RESISTOR	220Ω 1/16W J	
R3064	NRSA63J-101X	MG RESISTOR	100Ω 1/16W J		R4059	NRSA63J-0R0X	MG RESISTOR	0Ω 1/16W J	
R3065	NRSA63J-101X	MG RESISTOR	100Ω 1/16W J		R4060	NRSA63J-470X	MG RESISTOR	47Ω 1/16W J	
R3066	NRSA63J-101X	MG RESISTOR	100Ω 1/16W J		R4061	NRSA63J-0R0X	MG RESISTOR	0Ω 1/16W J	
R3069	NRSA63J-0R0X	MG RESISTOR	0Ω 1/16W J		R4064	NRSA63J-0R0X	MG RESISTOR	0Ω 1/16W J	
R3070	NRSA63J-0R0X	MG RESISTOR	0Ω 1/16W J		R4065	NRSA63J-0R0X	MG RESISTOR	0Ω 1/16W J	
R3071	NRSA63J-0R0X	MG RESISTOR	0Ω 1/16W J		R4068	NRSA63J-102X	MG RESISTOR	1kΩ 1/16W J	
R3072	NRSA63J-0R0X	MG RESISTOR	0Ω 1/16W J		R4101	NRSA63J-0R0X	MG RESISTOR	0Ω 1/16W J	
R3089	NRSA63J-220X	MG RESISTOR	22Ω 1/16W J		R4102	NRSA63J-0R0X	MG RESISTOR	0Ω 1/16W J	
R3090	NRSA63J-220X	MG RESISTOR	22Ω 1/16W J		R4103	NRSA63J-0R0X	MG RESISTOR	0Ω 1/16W J	
R3091	NRSA63J-220X	MG RESISTOR	22Ω 1/16W J		R4104	NRSA63J-0R0X	MG RESISTOR	0Ω 1/16W J	
R3092	NRSA63J-220X	MG RESISTOR	22Ω 1/16W J		R4105	NRSA63J-101X	MG RESISTOR	100Ω 1/16W J	
R3093	NRSA63J-220X	MG RESISTOR	22Ω 1/16W J		R4106	NRSA63J-101X	MG RESISTOR	100Ω 1/16W J	
R3094	NRSA63J-510X	MG RESISTOR	51Ω 1/16W J		R4109	NRSA63J-102X	MG RESISTOR	1kΩ 1/16W J	
R3095	NRSA63J-510X	MG RESISTOR	51Ω 1/16W J		R4152	NRSA63J-0R0X	MG RESISTOR	0Ω 1/16W J	
R3096	NRSA63J-510X	MG RESISTOR	51Ω 1/16W J		R6025	NRSA63J-101X	MG RESISTOR	100Ω 1/16W J	
R3097	NRSA63J-510X	MG RESISTOR	51Ω 1/16W J		R6028	NRSA63J-101X	MG RESISTOR	100Ω 1/16W J	
R3098	NRSA63J-510X	MG RESISTOR	51Ω 1/16W J		R6031	NRSA63J-101X	MG RESISTOR	100Ω 1/16W J	
R3099	NRSA63J-510X	MG RESISTOR	51Ω 1/16W J		R6034	NRSA63J-102X	MG RESISTOR	1kΩ 1/16W J	
R3100	NRSA63J-510X	MG RESISTOR	51Ω 1/16W J		R6036	NRSA63J-101X	MG RESISTOR	100Ω 1/16W J	
R3101	NRSA63J-510X	MG RESISTOR	51Ω 1/16W J		R6038	NRSA63J-102X	MG RESISTOR	1kΩ 1/16W J	
R3102	NRSA63J-510X	MG RESISTOR	51Ω 1/16W J		R6039	NRSA63J-102X	MG RESISTOR	1kΩ 1/16W J	
R3103	NRSA63J-510X	MG RESISTOR	51Ω 1/16W J		R6040	NRSA63J-0R0X	MG RESISTOR	0Ω 1/16W J	
R3104	NRSA63J-510X	MG RESISTOR	51Ω 1/16W J		R6043	NRSA63J-0R0X	MG RESISTOR	0Ω 1/16W J	
R3105	NRSA63J-510X	MG RESISTOR	51Ω 1/16W J		R6048	NRSA63J-103X	MG RESISTOR	10kΩ 1/16W J	
R3106	NRS144J-0R0X	MG RESISTOR	0Ω 1/4W J		R6057	NRSA63J-0R0X	MG RESISTOR	0Ω 1/16W J	
R3114	NRSA63J-0R0X	MG RESISTOR	0Ω 1/16W J		R6058	NRSA63J-0R0X	MG RESISTOR	0Ω 1/16W J	
R3116	NRSA63J-0R0X	MG RESISTOR	0Ω 1/16W J		R6059	NRSA63J-0R0X	MG RESISTOR	0Ω 1/16W J	
R3118	NRSA63J-0R0X	MG RESISTOR	0Ω 1/16W J		R6507	NRSA63J-0R0X	MG RESISTOR	0Ω 1/16W J	
R3120	NRSA63J-220X	MG RESISTOR	22Ω 1/16W J		R6510	NRSA63J-102X	MG RESISTOR	1kΩ 1/16W J	
R3122	NRSA63J-220X	MG RESISTOR	22Ω 1/16W J		R6512	NRSA63J-102X	MG RESISTOR	1kΩ 1/16W J	
R3126	NRSA63J-0R0X	MG RESISTOR	0Ω 1/16W J		R6513	NRSA63J-0R0X	MG RESISTOR	0Ω 1/16W J	
R3152	NRSA63J-0R0X	MG RESISTOR	0Ω 1/16W J		R6514	NRSA63J-101X	MG RESISTOR	100Ω 1/16W J	
R3153	NRSA63J-0R0X	MG RESISTOR	0Ω 1/16W J		R6515	NRSA63J-101X	MG RESISTOR	100Ω 1/16W J	
R3155	NRSA63J-0R0X	MG RESISTOR	0Ω 1/16W J		R6521	NRSA63J-0R0X	MG RESISTOR	0Ω 1/16W J	
R3160	NRSA63J-0R0X	MG RESISTOR	0Ω 1/16W J		R6529	NRSA63J-473X	MG RESISTOR	47kΩ 1/16W J	
R3161	NRSA63J-0R0X	MG RESISTOR	0Ω 1/16W J		R6531	NRSA63J-102X	MG RESISTOR	1kΩ 1/16W J	
R3165	NRSA63J-0R0X	MG RESISTOR	0Ω 1/16W J		R6532	NRSA63J-102X	MG RESISTOR	1kΩ 1/16W J	

△Ref No.	Part No.	Part Name	Description	Local
RA1003	NRZ0040-101X	NET RESISTOR	100Ω 1/16W J x4	
RA3002	NRZ0034-103W	NET RESISTOR	10kΩ 1/32W J x4	
RA3004	NRZ0034-103W	NET RESISTOR	10kΩ 1/32W J x4	
RA3013	NRZ0034-220W	NET RESISTOR	22Ω 1/32W J x4	
RA3014	NRZ0034-220W	NET RESISTOR	22Ω 1/32W J x4	
RA3015	NRZ0034-220W	NET RESISTOR	22Ω 1/32W J x4	
RA3016	NRZ0034-220W	NET RESISTOR	22Ω 1/32W J x4	
RA3018	NRZ0080-510X	NET RESISTOR	51Ω 1/16W J	
RA3020	NRZ0080-510X	NET RESISTOR	51Ω 1/16W J	
RA3022	NRZ0080-510X	NET RESISTOR	51Ω 1/16W J	
RA3023	NRZ0040-510X	NET RESISTOR	51Ω 1/16W J x4	
RA3024	NRZ0040-510X	NET RESISTOR	51Ω 1/16W J x4	
RA3025	NRZ0040-510X	NET RESISTOR	51Ω 1/16W J x4	
RA3026	NRZ0040-510X	NET RESISTOR	51Ω 1/16W J x4	
RA3028	NRZ0080-510X	NET RESISTOR	51Ω 1/16W J	
RA3030	NRZ0080-510X	NET RESISTOR	51Ω 1/16W J	
RA3032	NRZ0080-510X	NET RESISTOR	51Ω 1/16W J	
RA3502	NRZ0080-510X	NET RESISTOR	51Ω 1/16W J	
RA3506	NRZ0040-510X	NET RESISTOR	51Ω 1/16W J x4	
RA3508	NRZ0080-510X	NET RESISTOR	51Ω 1/16W J	
RA3512	NRZ0080-510X	NET RESISTOR	51Ω 1/16W J	
RA3516	NRZ0040-510X	NET RESISTOR	51Ω 1/16W J x4	
RA3518	NRZ0040-510X	NET RESISTOR	51Ω 1/16W J x4	
RA3521	NRZ0080-510X	NET RESISTOR	51Ω 1/16W J	
RA3523	NRZ0040-510X	NET RESISTOR	51Ω 1/16W J x4	
RA3526	NRZ0080-510X	NET RESISTOR	51Ω 1/16W J	
RA3530	NRZ0040-510X	NET RESISTOR	51Ω 1/16W J x4	
RA3531	NRZ0080-510X	NET RESISTOR	51Ω 1/16W J	
RA3536	NRZ0080-510X	NET RESISTOR	51Ω 1/16W J	
RA3540	NRZ0040-510X	NET RESISTOR	51Ω 1/16W J x4	
RA3542	NRZ0040-510X	NET RESISTOR	51Ω 1/16W J x4	
RA3545	NRZ0080-510X	NET RESISTOR	51Ω 1/16W J	
RA3547	NRZ0040-510X	NET RESISTOR	51Ω 1/16W J x4	
RA4007	NRZ0034-101W	NET RESISTOR	100Ω 1/32W J x4	
RA4008	NRZ0034-101W	NET RESISTOR	100Ω 1/32W J x4	
RA4009	NRZ0034-101W	NET RESISTOR	100Ω 1/32W J x4	
RA4010	NRZ0034-101W	NET RESISTOR	100Ω 1/32W J x4	
RA4011	NRZ0034-101W	NET RESISTOR	100Ω 1/32W J x4	
RA4012	NRZ0034-101W	NET RESISTOR	100Ω 1/32W J x4	
RA6515	NRZ0034-0R0W	NET RESISTOR	0Ω 1/32W J x4	
RA7007	NRZ0040-0R0X	NET RESISTOR	0Ω 1/16W J x4	
RA7501	NRZ0080-510X	NET RESISTOR	51Ω 1/16W J	
RA7502	NRZ0080-510X	NET RESISTOR	51Ω 1/16W J	
RA7503	NRZ0040-0R0X	NET RESISTOR	0Ω 1/16W J x4	
RA7504	NRZ0080-510X	NET RESISTOR	51Ω 1/16W J	
RA7505	NRZ0080-510X	NET RESISTOR	51Ω 1/16W J	

△Ref No.	Part No.	Part Name	Description	Local
L4002	NRSA02J-0R0X	MG RESISTOR	0Ω 1/10W J	
L4003	NRSA02J-0R0X	MG RESISTOR	0Ω 1/10W J	
L6501	NQR0351-001X	FERRITE BEADS		
L6502	NRSA02J-0R0X	MG RESISTOR	0Ω 1/10W J	
L6508	NRZ0034-0R0W	NET RESISTOR	0Ω 1/32W J x4	
L6509	NRZ0034-0R0W	NET RESISTOR	0Ω 1/32W J x4	
L6510	NRZ0034-0R0W	NET RESISTOR	0Ω 1/32W J x4	
L7001	NRSA63J-0R0X	MG RESISTOR	0Ω 1/16W J	
L7002	NRSA63J-0R0X	MG RESISTOR	0Ω 1/16W J	
L7003	NRSA63J-0R0X	MG RESISTOR	0Ω 1/16W J	
L7004	NRSA63J-0R0X	MG RESISTOR	0Ω 1/16W J	
L7005	NRSA63J-0R0X	MG RESISTOR	0Ω 1/16W J	
L7006	NRSA63J-0R0X	MG RESISTOR	0Ω 1/16W J	
L7510	NQL092K-4R7X	COIL	4.7uH K	
L7512	NQR0489-002X	FERRITE BEADS		
L7513	NQR0489-002X	FERRITE BEADS		
L9001	NRSA02J-0R0X	MG RESISTOR	0Ω 1/10W J	
L9002	NRSA02J-0R0X	MG RESISTOR	0Ω 1/10W J	
L9201	NQL71EM-150X	COIL	15uH M	
CN001	QGF0508F1-50X	CONNECTOR	FFC/FPC (1-50)	
CN002	QGF0508F1-30X	CONNECTOR	FFC/FPC (1-30)	
J001	NZ0117-001	HDMI CONNECTOR	DIGITAL IN	
K1001	NRSA02J-0R0X	MG RESISTOR	0Ω 1/10W J	
K1002	NRSA02J-0R0X	MG RESISTOR	0Ω 1/10W J	
K1003	NRSA02J-0R0X	MG RESISTOR	0Ω 1/10W J	
K1004	NQR0489-002X	FERRITE BEADS		
K1005	NRSA02J-0R0X	MG RESISTOR	0Ω 1/10W J	
K3003	NRSA63J-0R0X	MG RESISTOR	0Ω 1/16W J	
K3006	NRSA63J-0R0X	MG RESISTOR	0Ω 1/16W J	
K3009	NRSA02J-0R0X	MG RESISTOR	0Ω 1/10W J	
K7002	NRSA02J-0R0X	MG RESISTOR	0Ω 1/10W J	
K7502	NRSA63J-0R0X	MG RESISTOR	0Ω 1/16W J	
K7503	NQR0389-003X	FERRITE BEADS		
K9001	NQR0413-003X	FERRITE BEADS		
K9002	NQR0413-003X	FERRITE BEADS		
LC0102	NQR0483-005X	EMI FILTER	100uF 25V Z	
LC0519	NQR0416-001X	EMI FILTER	240pF 16V M	
LC0522	NQR0470-007X	EMI FILTER	2200pF 50V +50%-20%	
LC0524	NQR0483-005X	EMI FILTER	100uF 25V Z	
LC0527	NQR0483-006X	EMI FILTER		
LC6501	NQR0479-001X	EMI FILTER		
LC7004	NQR0483-003X	EMI FILTER		
LC7501	NQR0483-006X	EMI FILTER		
LC7502	NQR0483-006X	EMI FILTER		
SL7001	NAX0613-001X	C RESONATOR		
TP9001	LC42312-001A	EARTH TERMINAL		
TP9002	LC42312-001A	EARTH TERMINAL		
TP9003	LC42312-001A	EARTH TERMINAL		
X1001	NAX0642-001X	CRYSTAL		
X3001	NAX0635-001X	CXO		
X3003	NAX0668-001X	CXO		
X4001	NAX0669-001X	C RESONATOR		
X7501	NAX0618-001X	CRYSTAL		

RECEIVER P.W. BOARD ASS'Y (SFL0F204A-U2)

△Ref No.	Part No.	Part Name	Description	Local
IC3204	TPS852-W	PHOTO CONDUCTOR		
IC3501	MSP3415GQGB8V3M	IC		
IC3503	HA17558AF-X	IC		
IC3504	BA80BC0FP-X	IC		
IC3505	NJU26901E2-W	IC		
IC3506	MC74VHC1GT125TX	IC		
IC3507	SN74LVC1G125V-X	IC		
IC3508	SN74LVC1G125V-X	IC		
IC3509	SN74LVC1G125V-X	IC		
IC3510	R1141Q251B-X	IC		
Q3001	2SC3928A/QR/-X	TRANSISTOR		
Q3502	2SC3928A/QR/-X	TRANSISTOR		
Q3503	UN2213-X	DIGI TRANSISTOR		
C3001	NCB31HK-222X	C CAPACITOR	2200pF 50V K	
C3002	NEHL1HM-106X	E CAPACITOR	10uF 50V M	
C3003	NCB31CK-104X	C CAPACITOR	0.1uF 16V K	
C3004	NEX60JM-227X	E CAPACITOR	220uF 6.3V M	
C3005	NCB31HK-333X	C CAPACITOR	0.033uF 50V K	
C3007	NCF31AZ-105X	C CAPACITOR	1uF 10V Z	
C3008	NCB31HK-103X	C CAPACITOR	0.01uF 50V K	
C3009	NEHL1HM-106X	E CAPACITOR	10uF 50V M	
C3010	NCB31HK-103X	C CAPACITOR	0.01uF 50V K	
C3011	NEHL1HM-106X	E CAPACITOR	10uF 50V M	
C3012	NCB31HK-103X	C CAPACITOR	0.01uF 50V K	
C3014	NEHL1HM-106X	E CAPACITOR	10uF 50V M	
C3015	NCB31HK-103X	C CAPACITOR	0.01uF 50V K	

△Ref No.	Part No.	Part Name	Description	Local	△Ref No.	Part No.	Part Name	Description	Local
C3213	NCB11AK-106X	C CAPACITOR	10uF 10V K		R3546	NRSA63J-0R0X	MG RESISTOR	0Ω 1/16W J	
C3214	NCB11AK-106X	C CAPACITOR	10uF 10V K		R3547	NRSA63J-0R0X	MG RESISTOR	0Ω 1/16W J	
C3215	NCB31CK-104X	C CAPACITOR	0.1uF 16V K		R3551	NRSA63J-333X	MG RESISTOR	33kΩ 1/16W J	
C3501	NCB11AK-106X	C CAPACITOR	10uF 10V K		R3552	NRSA63J-333X	MG RESISTOR	33kΩ 1/16W J	
C3502	NCB31CK-104X	C CAPACITOR	0.1uF 16V K		R3553	NRSA63J-332X	MG RESISTOR	3.3kΩ 1/16W J	
C3503	NCB31HK-103X	C CAPACITOR	0.01uF 50V K		R3554	NRSA63J-332X	MG RESISTOR	3.3kΩ 1/16W J	
C3504	NCB31HK-103X	C CAPACITOR	0.01uF 50V K		R3555	NRSA63J-332X	MG RESISTOR	3.3kΩ 1/16W J	
C3511	NCB31HK-103X	C CAPACITOR	0.01uF 50V K		R3556	NRSA63J-332X	MG RESISTOR	3.3kΩ 1/16W J	
C3512	NCB31HK-103X	C CAPACITOR	0.01uF 50V K		R3557	NRSA63J-102X	MG RESISTOR	1kΩ 1/16W J	
C3513	NDC31HJ-2R0X	C CAPACITOR	2pF 50V J		R3558	NRSA63J-102X	MG RESISTOR	1kΩ 1/16W J	
C3514	NDC31HJ-2R0X	C CAPACITOR	2pF 50V J		R3559	NRSA63J-272X	MG RESISTOR	2.7kΩ 1/16W J	
C3515	NCB31CK-104X	C CAPACITOR	0.1uF 16V K		R3560	NRSA63J-272X	MG RESISTOR	2.7kΩ 1/16W J	
C3516	NEHL1AM-107X	E CAPACITOR	100uF 10V M		R3561	NRSA63J-221X	MG RESISTOR	220Ω 1/16W J	
C3517	NCB31HK-103X	C CAPACITOR	0.01uF 50V K		R3562	NRSA63J-221X	MG RESISTOR	220Ω 1/16W J	
C3518	NCB31HK-222X	C CAPACITOR	2200pF 50V K		R3563	NRSA63J-103X	MG RESISTOR	10kΩ 1/16W J	
C3519	NCB31CK-105X	C CAPACITOR	1uF 16V K		R3564	NRSA63J-103X	MG RESISTOR	10kΩ 1/16W J	
C3520	NDC31HJ-102X	C CAPACITOR	1000pF 50V J		R3572	NRSA63J-470X	MG RESISTOR	47Ω 1/16W J	
C3521	NCB31CK-105X	C CAPACITOR	1uF 16V K		R3573	NRSA63J-470X	MG RESISTOR	47Ω 1/16W J	
C3522	NDC31HJ-102X	C CAPACITOR	1000pF 50V J		R3574	NRSA63J-470X	MG RESISTOR	47Ω 1/16W J	
C3523	NDC31HJ-102X	C CAPACITOR	1000pF 50V J		R3575	NRSA63J-470X	MG RESISTOR	47Ω 1/16W J	
C3524	NDC31HJ-102X	C CAPACITOR	1000pF 50V J		R3576	NRSA63J-101X	MG RESISTOR	100Ω 1/16W J	
C3525	NEHL1CM-106X	E CAPACITOR	10uF 16V M		R3577	NRSA63J-101X	MG RESISTOR	100Ω 1/16W J	
C3526	NCB31HK-103X	C CAPACITOR	0.01uF 50V K		R3578	NRSA63J-472X	MG RESISTOR	4.7kΩ 1/16W J	
C3527	NCB31CK-104X	C CAPACITOR	1uF 16V K		R3579	NRSA63J-472X	MG RESISTOR	4.7kΩ 1/16W J	
C3528	NEHL1AM-107X	E CAPACITOR	100uF 10V M		R3580	NRSA63J-472X	MG RESISTOR	4.7kΩ 1/16W J	
C3529	NEHL1CM-106X	E CAPACITOR	10uF 16V M		R3581	NRSA63J-472X	MG RESISTOR	4.7kΩ 1/16W J	
C3530	NCB11AK-106X	C CAPACITOR	10uF 10V K		R3582	NRSA63J-101X	MG RESISTOR	100Ω 1/16W J	
C3531	NCB31CK-104X	C CAPACITOR	0.1uF 16V K		R3583	NRSA63J-101X	MG RESISTOR	100Ω 1/16W J	
C3532	NCF31AZ-105X	C CAPACITOR	1uF 10V Z		R3584	NRSA63J-101X	MG RESISTOR	100Ω 1/16W J	
C3533	NCF31AZ-105X	C CAPACITOR	1uF 10V Z		R3585	NRSA63J-101X	MG RESISTOR	100Ω 1/16W J	
C3534	NCF31AZ-105X	C CAPACITOR	1uF 10V Z						
C3535	NCF31AZ-105X	C CAPACITOR	1uF 10V Z		L3001	NQL79GM-220X	COIL	22uH M	
C3536	NCB11AK-106X	C CAPACITOR	10uF 10V K		L3002	NQL79GM-100X	COIL	10uH M	
C3537	NCB31CK-104X	C CAPACITOR	0.1uF 16V K		L3003	NQL79GM-220X	COIL	22uH M	
C3544	NCB31AK-105X	C CAPACITOR	1uF 10V K		L3503	NRSA02J-0R0X	MG RESISTOR	0Ω 1/10W J	
C3546	NCB31AK-105X	C CAPACITOR	1uF 10V K		L3504	NQL79GM-4R7X	COIL	4.7uH M	
C3551	NCB31HK-222X	C CAPACITOR	2200pF 50V K		L3506	NRSA02J-0R0X	MG RESISTOR	0Ω 1/10W J	
C3552	NCB31HK-222X	C CAPACITOR	2200pF 50V K		L3507	NRSA02J-0R0X	MG RESISTOR	0Ω 1/10W J	
C3553	NCB31HK-822X	C CAPACITOR	8200pF 50V K		L3508	NRSA02J-0R0X	MG RESISTOR	0Ω 1/10W J	
C3554	NCB31HK-822X	C CAPACITOR	8200pF 50V K		L3509	NRSA02J-0R0X	MG RESISTOR	0Ω 1/10W J	
C3555	NCB31HK-223X	C CAPACITOR	0.022uF 50V K						
C3556	NCB31HK-223X	C CAPACITOR	0.022uF 50V K		K3501	NQR0389-003X	FERRITE BEADS		
C3559	NEHL1AM-107X	E CAPACITOR	100uF 10V M		K3502	NQR0389-003X	FERRITE BEADS		
C3560	NEHL1CM-476X	E CAPACITOR	47uF 16V M		LC3501	QNR0431-001X	EMI FILTER	0.22uF 50V Z	
C3571	NCB11AK-106X	C CAPACITOR	10uF 10V K		△TU3001	QAU0428-002	TUNER		
C3572	NCB11AK-106X	C CAPACITOR	10uF 10V K		X3501	QAX0773-001Z	CRYSTAL	18.432000MHz	
C3573	NCB31HK-103X	C CAPACITOR	0.01uF 50V K						
C3574	NCB11AK-106X	C CAPACITOR	10uF 10V K						
R3002	NRSA63J-473X	MG RESISTOR	47kΩ 1/16W J						
R3003	NRSA63J-473X	MG RESISTOR	47kΩ 1/16W J						
R3006	NRSA63J-101X	MG RESISTOR	100Ω 1/16W J						
R3007	NRSA63J-101X	MG RESISTOR	100Ω 1/16W J						
R3008	NRSA63J-0R0X	MG RESISTOR	0Ω 1/16W J						
R3009	NRSA63J-222X	MG RESISTOR	2.2kΩ 1/16W J						
R3010	NRSA63J-102X	MG RESISTOR	1kΩ 1/16W J						
R3011	NRSA63J-102X	MG RESISTOR	1kΩ 1/16W J						
R3014	NRSA63J-0R0X	MG RESISTOR	0Ω 1/16W J						
R3015	NRSA63J-0R0X	MG RESISTOR	0Ω 1/16W J						
R3016	NRSA63J-101X	MG RESISTOR	100Ω 1/16W J						
R3019	NRSA63J-0R0X	MG RESISTOR	0Ω 1/16W J						
R3031	NRSA63J-0R0X	MG RESISTOR	0Ω 1/16W J						
R3032	NRSA63J-0R0X	MG RESISTOR	0Ω 1/16W J						
R3033	NRSA63J-0R0X	MG RESISTOR	0Ω 1/16W J						
R3034	NRSA63J-0R0X	MG RESISTOR	0Ω 1/16W J						
R3035	NRSA63J-0R0X	MG RESISTOR	0Ω 1/16W J						
R3036	NRSA63J-0R0X	MG RESISTOR	0Ω 1/16W J						
R3037	NRSA63J-0R0X	MG RESISTOR	0Ω 1/16W J						
R3038	NRSA63J-0R0X	MG RESISTOR	0Ω 1/16W J						
R3039	NRSA63J-0R0X	MG RESISTOR	0Ω 1/16W J						
R3040	NRSA63J-0R0X	MG RESISTOR	0Ω 1/16W J						
R3041	NRSA63J-0R0X	MG RESISTOR	0Ω 1/16W J						
R3043	NRSA63J-0R0X	MG RESISTOR	0Ω 1/16W J						
R3111	NRSA63J-0R0X	MG RESISTOR	0Ω 1/16W J						
R3112	NRSA63J-0R0X	MG RESISTOR	0Ω 1/16W J						
R3120	NRSA63J-0R0X	MG RESISTOR	0Ω 1/16W J						
R3219	NRSA63J-104X	MG RESISTOR	100kΩ 1/16W J						
R3501	NRSA63J-102X	MG RESISTOR	1kΩ 1/16W J						
R3508	NRSA63J-102X	MG RESISTOR	1kΩ 1/16W J						
R3511	NRSA63J-0R0X	MG RESISTOR	0Ω 1/16W J						
R3512	NRSA63J-0R0X	MG RESISTOR	0Ω 1/16W J						
R3513	NRSA63J-0R0X	MG RESISTOR	0Ω 1/16W J						
R3514	NRSA63J-101X	MG RESISTOR	100Ω 1/16W J						
R3515	NRSA63J-101X	MG RESISTOR	100Ω 1/16W J						
R3516	NRSA63J-101X	MG RESISTOR	100Ω 1/16W J						
R3517	NRSA63J-103X	MG RESISTOR	10kΩ 1/16W J						
R3518	NRSA63J-0R0X	MG RESISTOR	0Ω 1/16W J						
R3519	NRSA63J-0R0X	MG RESISTOR	0Ω 1/16W J						
R3520	NRSA63J-101X	MG RESISTOR	100Ω 1/16W J						
R3521	NRSA63J-101X	MG RESISTOR	100Ω 1/16W J						

PRINTED WIRING BOARD PARTS LIST [LT-37S60BU/P]

ANALOG SIGANL P.W. BOARD ASS'Y (SFL-1114A-U2)

REFER TO PARTS LIST IN PAGE 3-7 FOR THIS P.W. BOARD.

CONNECTOR P.W. BOARD ASS'Y (SFL-4112A-U2)

REFER TO PARTS LIST IN PAGE 3-11 FOR THIS P.W. BOARD.

FRONT CONTROL P.W. BOARD ASS'Y (SFL-7111A-U2)

REFER TO PARTS LIST IN PAGE 3-12 FOR THIS P.W. BOARD.

FRONT LED P.W. BOARD ASS'Y (SFL-8133A-U2)

REFER TO PARTS LIST IN PAGE 3-12 FOR THIS P.W. BOARD.

POWER P.W. BOARD ASS'Y (SFL-9034A-U2)

REFER TO PARTS LIST IN PAGE 3-12 FOR THIS P.W. BOARD.

REGULATOR P.W. BOARD ASS'Y (SFL-9134A-U2)

REFER TO PARTS LIST IN PAGE 3-14 FOR THIS P.W. BOARD.

DIGITAL SIGNAL P.W. BOARD ASS'Y (LCA10557-71A) (SFL-0D238A)

△Ref No.	Part No.	Part Name	Description	Local
IC0401	SN74AHCT1G32V-X	IC		
IC1001	TC90A92AFG	IC		
IC1002	MM1572FN-X	IC		
IC1003	R1141Q151D-X	IC		
IC1005	ML87V2105TBZ03A	IC		
IC1502	NJM2235V-X	IC		
IC3001	JCC5055A	IC		
IC3004	TC7MB3257FK-X	IC		
IC3005	SN74LVC1G08V-X	IC		
IC3006	SN74LVC2G126T-X	IC		
IC3007	SN74LVC3G17U-X	IC		
IC3008	R1170H331B-X	IC		
IC3403	S-80928CLNB-G-W	IC		
IC3501	EDD1232AAFA-7A	IC		
IC3502	EDD1232AAFA-7A	IC		
IC3503	LP2996MR-X	IC		
IC4001	JCC5057	IC		
IC4003	AT29LE-37S60BU	IC(MICRO C ROM)	(SERVICE)	
IC4004	ATF256-37S60BU	IC	(SERVICE)	
IC6502	THC63LVDM83R-W	IC		
IC7001	MN102H60KLH	IC(MCU)		
IC7002	ATF512-37S60BU	IC(MICRO C ROM)	(SERVICE)	
IC7003	SN74LVC2G241T-X	IC		
IC7401	S-80928CLNB-G-W	IC		
IC7501	SDA6000-B12	IC		
IC7502	S-80828CENN-B-G-W	IC		
IC7503	K4S641632H-UC75	IC		
IC7504	MBV160-37S60BU	IC(MICRO C ROM)	(SERVICE)	
IC7505	PQ2L3252MS-X	IC		
IC7506	CD74HC4053PW-X	IC		
IC7602	ATF32-37S60BU	IC	(SERVICE)	
IC9201	MP1593DN-X	IC		
Q0101	2SC3837K/NP/-X	TRANSISTOR		
Q0102	2SA1022/BC/-X	TRANSISTOR		
Q0104	2SA1022/BC/-X	TRANSISTOR		
Q0105	2SC3928A/QR/-X	TRANSISTOR		
Q0107	2SA1530A/QR/-X	TRANSISTOR		
Q0108	2SC3928A/QR/-X	TRANSISTOR		
Q0109	HN1C01F/Y/-X	PAIR TRANSISTOR		
Q0110	HN1C01F/Y/-X	PAIR TRANSISTOR		
Q0201	2SC3837K/NP/-X	TRANSISTOR		
Q0202	2SA1022/BC/-X	TRANSISTOR		
Q0203	2SC3928A/QR/-X	TRANSISTOR		
Q0204	2SA1022/BC/-X	TRANSISTOR		
Q0205	2SC3928A/QR/-X	TRANSISTOR		
Q0206	2SC3928A/QR/-X	TRANSISTOR		

△Ref No.	Part No.	Part Name	Description	Local
Q0207	2SA1530A/QR/-X	TRANSISTOR		
Q0208	2SC3928A/QR/-X	TRANSISTOR		
Q0209	HN1C01F/Y/-X	PAIR TRANSISTOR		
Q0210	HN1C01F/Y/-X	PAIR TRANSISTOR		
Q0301	2SC3837K/NP/-X	TRANSISTOR		
Q0302	2SA1022/BC/-X	TRANSISTOR		
Q0303	2SC3928A/QR/-X	TRANSISTOR		
Q0304	2SA1022/BC/-X	TRANSISTOR		
Q0305	2SC3928A/QR/-X	TRANSISTOR		
Q0306	2SC3928A/QR/-X	TRANSISTOR		
Q0307	2SA1530A/QR/-X	TRANSISTOR		
Q0308	2SC3928A/QR/-X	TRANSISTOR		
Q0309	HN1C01F/Y/-X	PAIR TRANSISTOR		
Q0310	HN1C01F/Y/-X	PAIR TRANSISTOR		
Q0311	2SC3928A/QR/-X	TRANSISTOR		
Q1001	UN2213-X	DIGI TRANSISTOR		
Q1003	2SC3928A/QR/-X	TRANSISTOR		
Q1004	2SC3928A/QR/-X	TRANSISTOR		
Q1005	2SK1228-X	MOS FET		
Q1006	2SK1228-X	MOS FET		
Q1101	2SC3928A/QR/-X	TRANSISTOR		
Q1103	2SA1530A/QR/-X	TRANSISTOR		
Q1201	2SC3928A/QR/-X	TRANSISTOR		
Q1203	2SA1530A/QR/-X	TRANSISTOR		
Q1301	2SC3928A/QR/-X	TRANSISTOR		
Q1303	2SA1530A/QR/-X	TRANSISTOR		
Q1401	2SC3928A/QR/-X	TRANSISTOR		
Q1403	2SA1530A/QR/-X	TRANSISTOR		
Q3001	2SC3928A/QR/-X	TRANSISTOR		
Q3002	2SA1530A/QR/-X	TRANSISTOR		
Q3003	2SC3928A/QR/-X	TRANSISTOR		
Q3004	2SA1530A/QR/-X	TRANSISTOR		
Q4001	2SC3928A/QR/-X	TRANSISTOR		
Q6501	2SC3928A/QR/-X	TRANSISTOR		
Q7201	2SA1530A/QR/-X	TRANSISTOR		
Q7202	2SC3928A/QR/-X	TRANSISTOR		
Q7203	2SC3928A/QR/-X	TRANSISTOR		
Q7204	2SC3928A/QR/-X	TRANSISTOR		
Q7205	2SC3928A/QR/-X	TRANSISTOR		
Q7206	UN2213-X	DIGI TRANSISTOR		
Q7207	UN2113-X	TRANSISTOR		
Q7208	UN2113-X	TRANSISTOR		
Q7209	UN2113-X	TRANSISTOR		
Q7501	2SA1162/YG/-X	TRANSISTOR		
Q7508	DTC114EKA-X	DIGI TRANSISTOR		
D1001	EC30HA03L-X	SB DIODE		
D1002	EC30HA03L-X	SB DIODE		
D2103	1SS355-X	SI DIODE		
D7001	1SS355-X	SI DIODE		
D7003	RB501V-40-X	SB DIODE		
D7005	UDZS8.2B-X	Z DIODE		
D7006	UDZS8.2B-X	Z DIODE		
D7007	UDZS8.2B-X	Z DIODE		
D7008	UDZS8.2B-X	Z DIODE		
D7009	UDZS8.2B-X	Z DIODE		
D7201	1SS355-X	SI DIODE		
D7203	1SS355-X	SI DIODE		
D7501	1SS355-X	SI DIODE		
D7502	1SS355-X	SI DIODE		
D9201	EC30HA04-X	SB DIODE		
D9203	PTZ3.9B-X	Z DIODE		
D9204	1SS355-X	SI DIODE		
C0104	NDC31HJ-390X	C CAPACITOR	39pF 50V J	
C0105	NDC31HJ-330X	C CAPACITOR	33pF 50V J	
C0107	NCB31CK-104X	C CAPACITOR	0.1uF 16V K	
C0109	NCB11AK-106X	C CAPACITOR	10uF 10V K	
C0110	NCB11AK-106X	C CAPACITOR	10uF 10V K	
C0111	NDC31HJ-820X	C CAPACITOR	82pF 50V J	
C0112	NDC31HJ-820X	C CAPACITOR	82pF 50V J	
C0113	NCB11AK-106X	C CAPACITOR	10uF 10V K	
C0114	NCB31CK-104X	C CAPACITOR	0.1uF 16V K	
C0115	NCB31CK-104X	C CAPACITOR	0.1uF 16V K	
C0116	NCB11AK-106X	C CAPACITOR	10uF 10V K	
C0117	NDC31HJ-560X	C CAPACITOR	56pF 50V J	
C0118	NDC31HJ-151X	C CAPACITOR	150pF 50V J	
C0204	NDC31HJ-390X	C CAPACITOR	39pF 50V J	
C0205	NDC31HJ-330X	C CAPACITOR	33pF 50V J	
C0206	NDC31HJ-390X	C CAPACITOR	39pF 50V J	
C0207	NCB31CK-104X	C CAPACITOR	0.1uF 16V K	
C0209	NCB11AK-106X	C CAPACITOR	10uF 10V K	
C0210	NCB11AK-106X	C CAPACITOR	10uF 10V K	
C0211	NDC31HJ-820X	C CAPACITOR	82pF 50V J	
C0212	NDC31HJ-820X	C CAPACITOR	82pF 50V J	
C0213	NCB11AK-106X	C CAPACITOR	10uF 10V K	
C0214	NCB31CK-104X	C CAPACITOR	0.1uF 16V K	

△Ref No.	Part No.	Part Name	Description	Local	△Ref No.	Part No.	Part Name	Description	Local
C0215	NCB31CK-104X	C CAPACITOR	0.1uF 16V K		C1202	NDC31HJ-330X	C CAPACITOR	33pF 50V J	
C0217	NDC31HJ-560X	C CAPACITOR	56pF 50V J		C1203	NDC31HJ-330X	C CAPACITOR	33pF 50V J	
C0218	NDC31HJ-151X	C CAPACITOR	150pF 50V J		C1204	NDC31HJ-560X	C CAPACITOR	56pF 50V J	
C0304	NDC31HJ-390X	C CAPACITOR	39pF 50V J		C1205	NCF11CZ-475X	C CAPACITOR	4.7uF 16V Z	
C0305	NDC31HJ-330X	C CAPACITOR	33pF 50V J		C1206	NCB31CK-104X	C CAPACITOR	0.1uF 16V K	
C0306	NDC31HJ-390X	C CAPACITOR	39pF 50V J		C1209	NDC31HJ-151X	C CAPACITOR	150pF 50V J	
C0307	NCB31CK-104X	C CAPACITOR	0.1uF 16V K		C1302	NDC31HJ-101X	C CAPACITOR	100pF 50V J	
C0309	NCB11AK-106X	C CAPACITOR	10uF 10V K		C1303	NDC31HJ-330X	C CAPACITOR	33pF 50V J	
C0310	NCB11AK-106X	C CAPACITOR	10uF 10V K		C1304	NDC31HJ-151X	C CAPACITOR	150pF 50V J	
C0311	NDC31HJ-820X	C CAPACITOR	82pF 50V J		C1305	NCF11CZ-475X	C CAPACITOR	4.7uF 16V Z	
C0312	NDC31HJ-820X	C CAPACITOR	82pF 50V J		C1306	NCB31CK-104X	C CAPACITOR	0.1uF 16V K	
C0313	NCB11AK-106X	C CAPACITOR	10uF 10V K		C1309	NDC31HJ-151X	C CAPACITOR	150pF 50V J	
C0314	NCB31CK-104X	C CAPACITOR	0.1uF 16V K		C1311	NDC31HJ-470X	C CAPACITOR	47pF 50V J	
C0315	NCB31CK-104X	C CAPACITOR	0.1uF 16V K		C1402	NDC31HJ-101X	C CAPACITOR	100pF 50V J	
C0317	NDC31HJ-560X	C CAPACITOR	56pF 50V J		C1403	NDC31HJ-330X	C CAPACITOR	33pF 50V J	
C0318	NDC31HJ-151X	C CAPACITOR	150pF 50V J		C1404	NDC31HJ-151X	C CAPACITOR	150pF 50V J	
C0401	NCB31CK-104X	C CAPACITOR	0.1uF 16V K		C1405	NCF11CZ-475X	C CAPACITOR	4.7uF 16V Z	
C0519	NDC31HJ-560X	C CAPACITOR	56pF 50V J		C1406	NCB31CK-104X	C CAPACITOR	0.1uF 16V K	
C1001	NCB31HK-103X	C CAPACITOR	0.01uF 50V K		C1409	NDC31HJ-151X	C CAPACITOR	150pF 50V J	
C1004	NCB31HK-103X	C CAPACITOR	0.01uF 50V K		C1411	NDC31HJ-470X	C CAPACITOR	47pF 50V J	
C1005	NCB31HK-152X	C CAPACITOR	150pF 50V K		C1502	NCJ41EK-106X-U	C CAPACITOR	10mF 25V K	
C1006	NCB31HK-103X	C CAPACITOR	0.01uF 50V K		C1508	NCF11CZ-475X	C CAPACITOR	4.7uF 16V Z	
C1009	NDC31HJ-220X	C CAPACITOR	22pF 50V J		C1509	NCB31HK-103X	C CAPACITOR	0.01uF 50V K	
C1010	NDC31HJ-180X	C CAPACITOR	18pF 50V J		C1511	NRSA63J-105X	MG RESISTOR	1MΩ 1/16W J	
C1011	NDC31HJ-102X	C CAPACITOR	1000pF 50V J		C3004	NCB31CK-104X	C CAPACITOR	0.1uF 16V K	
C1012	NCB31HK-103X	C CAPACITOR	0.01uF 50V K		C3006	NCB31CK-104X	C CAPACITOR	0.1uF 16V K	
C1013	NCB31HK-103X	C CAPACITOR	0.01uF 50V K		C3008	NCB31CK-104X	C CAPACITOR	0.1uF 16V K	
C1014	NCB31HK-103X	C CAPACITOR	0.01uF 50V K		C3009	NCB31CK-104X	C CAPACITOR	0.1uF 16V K	
C1015	NCB31HK-103X	C CAPACITOR	0.01uF 50V K		C3010	NCB31CK-104X	C CAPACITOR	0.1uF 16V K	
C1016	NCB11AK-106X	C CAPACITOR	10uF 10V K		C3016	NCB31CK-104X	C CAPACITOR	0.1uF 16V K	
C1017	NCB31HK-103X	C CAPACITOR	0.01uF 50V K		C3018	NCB31CK-104X	C CAPACITOR	0.1uF 16V K	
C1018	NCB31HK-103X	C CAPACITOR	0.01uF 50V K		C3019	NCB31CK-104X	C CAPACITOR	0.1uF 16V K	
C1019	NCB31HK-103X	C CAPACITOR	0.01uF 50V K		C3021	NCB31CK-104X	C CAPACITOR	0.1uF 16V K	
C1021	NCB31HK-103X	C CAPACITOR	0.01uF 50V K		C3022	NBZ0007-107X	SP E CAPACITOR	100uF 4V M	
C1023	NCB31HK-103X	C CAPACITOR	0.01uF 50V K		C3023	NCB31CK-104X	C CAPACITOR	0.1uF 16V K	
C1025	NCB31HK-103X	C CAPACITOR	0.01uF 50V K		C3025	NCB11AK-106X	C CAPACITOR	10uF 10V K	
C1026	NCB31HK-103X	C CAPACITOR	0.01uF 50V K		C3026	NCB11AK-106X	C CAPACITOR	10uF 10V K	
C1028	NCB31HK-103X	C CAPACITOR	0.01uF 50V K		C3028	NDC31HJ-221X	C CAPACITOR	220pF 50V J	
C1029	NCB31HK-103X	C CAPACITOR	0.01uF 50V K		C3030	NCB31CK-104X	C CAPACITOR	0.1uF 16V K	
C1030	NCB31HK-103X	C CAPACITOR	0.01uF 50V K		C3031	NCB31CK-104X	C CAPACITOR	0.1uF 16V K	
C1031	NCB31HK-103X	C CAPACITOR	0.01uF 50V K		C3032	NCB31CK-104X	C CAPACITOR	0.1uF 16V K	
C1032	NCB31HK-103X	C CAPACITOR	0.01uF 50V K		C3037	NCB31CK-104X	C CAPACITOR	0.1uF 16V K	
C1033	NCB31HK-103X	C CAPACITOR	0.01uF 50V K		C3040	NCB31CK-104X	C CAPACITOR	0.1uF 16V K	
C1034	NDC31HJ-390X	C CAPACITOR	39pF 50V J		C3041	NDC31HJ-101X	C CAPACITOR	100pF 50V J	
C1035	NDC31HJ-680X	C CAPACITOR	68pF 50V J		C3042	NCB31CK-104X	C CAPACITOR	0.1uF 16V K	
C1037	NCB30JK-225X	C CAPACITOR	2.2uF 6.3V K		C3043	NDC31HJ-101X	C CAPACITOR	100pF 50V J	
C1038	NCB31HK-103X	C CAPACITOR	0.01uF 50V K		C3044	NCB31CK-104X	C CAPACITOR	0.1uF 16V K	
C1039	NCB31HK-103X	C CAPACITOR	0.01uF 50V K		C3045	NCB31CK-104X	C CAPACITOR	0.1uF 16V K	
C1040	NCB31HK-103X	C CAPACITOR	0.01uF 50V K		C3047	NCB31CK-104X	C CAPACITOR	0.1uF 16V K	
C1041	NCB10JK-106X	C CAPACITOR	10uF 6.3V K		C3049	NCB31CK-104X	C CAPACITOR	0.1uF 16V K	
C1042	NCB30JK-225X	C CAPACITOR	2.2uF 6.3V K		C3051	NCB31HK-472X	C CAPACITOR	4700pF 50V K	
C1043	NCB31HK-103X	C CAPACITOR	0.01uF 50V K		C3052	NCB31AK-334X	C CAPACITOR	0.33uF 10V K	
C1045	NCB31CK-104X	C CAPACITOR	0.1uF 16V K		C3056	NCB31AK-334X	C CAPACITOR	0.33uF 10V K	
C1046	NCB31HK-103X	C CAPACITOR	0.01uF 50V K		C3059	NCB31HK-223X	C CAPACITOR	0.022uF 50V K	
C1047	NCB31HK-103X	C CAPACITOR	0.01uF 50V K		C3060	NCB31HK-152X	C CAPACITOR	1500pF 50V K	
C1048	NCB30JK-105X	C CAPACITOR	1uF 6.3V K		C3063	NCB31CK-104X	C CAPACITOR	0.1uF 16V K	
C1049	NCB31HK-103X	C CAPACITOR	0.01uF 50V K		C3065	NCB31CK-104X	C CAPACITOR	0.1uF 16V K	
C1050	NCB30JK-105X	C CAPACITOR	1uF 6.3V K		C3066	NCB31CK-104X	C CAPACITOR	0.1uF 16V K	
C1051	NCB30JK-105X	C CAPACITOR	1uF 6.3V K		C3067	NCB31CK-104X	C CAPACITOR	0.1uF 16V K	
C1061	NDC31HJ-4R0X	C CAPACITOR	4pF 50V J		C3068	NCB31CK-104X	C CAPACITOR	0.1uF 16V K	
C1062	NBE40JM-476X	TA E CAPACITOR	47uF 6.3V M		C3069	NCB31CK-104X	C CAPACITOR	0.1uF 16V K	
C1063	NCB21AK-225X	C CAPACITOR	2.2uF 10V K		C3070	NCB31CK-104X	C CAPACITOR	0.1uF 16V K	
C1064	NCB31HK-103X	C CAPACITOR	0.01uF 50V K		C3071	NCB31CK-104X	C CAPACITOR	0.1uF 16V K	
C1065	NCB30JK-105X	C CAPACITOR	1uF 6.3V K		C3072	NCB31CK-104X	C CAPACITOR	0.1uF 16V K	
C1066	NBE40JM-476X	TA E CAPACITOR	47uF 6.3V M		C3074	NCB31CK-104X	C CAPACITOR	0.1uF 16V K	
C1067	NCB30JK-105X	C CAPACITOR	1uF 6.3V K		C3076	NCB31CK-104X	C CAPACITOR	0.1uF 16V K	
C1068	NBE40JM-476X	TA E CAPACITOR	47uF 6.3V M		C3097	NCB30JK-225X	C CAPACITOR	2.2uF 6.3V K	
C1069	NCB21AK-225X	C CAPACITOR	2.2uF 10V K		C3101	NCB30JK-225X	C CAPACITOR	2.2uF 6.3V K	
C1071	NBE20GM-106X	TA E CAPACITOR	10uF 4V M		C3105	NCB30JK-225X	C CAPACITOR	2.2uF 6.3V K	
C1072	NBE20GM-106X	TA E CAPACITOR	10uF 4V M		C3107	NCB31HK-103X	C CAPACITOR	0.01uF 50V K	
C1073	NBE40JM-476X	TA E CAPACITOR	47uF 6.3V M		C3109	NCB31HK-103X	C CAPACITOR	0.01uF 50V K	
C1074	NBE40JM-476X	TA E CAPACITOR	47uF 6.3V M		C3111	NCB31CK-104X	C CAPACITOR	0.1uF 16V K	
C1075	NBE40JM-476X	TA E CAPACITOR	47uF 6.3V M		C3112	NCB31HK-103X	C CAPACITOR	0.01uF 50V K	
C1076	NBE20GM-106X	TA E CAPACITOR	10uF 4V M		C3127	NDC31HJ-470X	C CAPACITOR	47pF 50V J	
C1077	NEHM1CM-476X	E CAPACITOR	47uF 16V M		C3128	NDC31HJ-470X	C CAPACITOR	47pF 50V J	
C1081	NCB31HK-103X	C CAPACITOR	0.01uF 50V K		C3129	NDC31HJ-470X	C CAPACITOR	47pF 50V J	
C1082	NCB31HK-103X	C CAPACITOR	0.01uF 50V K		C3406	NCB31HK-102X	C CAPACITOR	1000pF 50V K	
C1083	NCB31HK-103X	C CAPACITOR	0.01uF 50V K		C3501	NCF31CZ-474X	C CAPACITOR	0.47uF 16V Z	
C1084	NCB31HK-103X	C CAPACITOR	0.01uF 50V K		C3503	NCF31CZ-474X	C CAPACITOR	0.47uF 16V Z	
C1085	NCB31HK-103X	C CAPACITOR	0.01uF 50V K		C3506	NCB30JK-225X	C CAPACITOR	2.2uF 6.3V K	
C1086	NCB31HK-103X	C CAPACITOR	0.01uF 50V K		C3507	NCF31CZ-474X	C CAPACITOR	0.47uF 16V Z	
C1087	NCB31HK-103X	C CAPACITOR	0.01uF 50V K		C3508	NCF31CZ-474X	C CAPACITOR	0.47uF 16V Z	
C1102	NDC31HJ-330X	C CAPACITOR	33pF 50V J		C3509	NCB30JK-225X	C CAPACITOR	2.2uF 6.3V K	
C1103	NDC31HJ-680X	C CAPACITOR	68pF 50V J		C3511	NCF31CZ-474X	C CAPACITOR	0.47uF 16V Z	
C1104	NDC31HJ-560X	C CAPACITOR	56pF 50V J		C3515	NCB31CK-104X	C CAPACITOR	0.1uF 16V K	
C1105	NCF11CZ-475X	C CAPACITOR	4.7uF 16V Z		C3516	NCF31CZ-474X	C CAPACITOR	0.47uF 16V Z	
C1106	NCB31CK-104X	C CAPACITOR	0.1uF 16V K		C3517	NCF31CZ-474X	C CAPACITOR	0.47uF 16V Z	
C1107	NDC31HJ-560X	C CAPACITOR	56pF 50V J		C3518	NCB31CK-104X	C CAPACITOR	0.1uF 16V K	
C1109	NDC31HJ-151X	C CAPACITOR	150pF 50V J		C3519	NCB31CK-104X	C CAPACITOR	0.1uF 16V K	
C1111	NRSA63J-681X	MG RESISTOR	680Ω 1/16W J		C3524	NCB31CK-104X	C CAPACITOR	0.1uF 16V K	

△Ref No.	Part No.	Part Name	Description	Local	△Ref No.	Part No.	Part Name	Description	Local
C3527	NCF31CZ-474X	C CAPACITOR	0.47uF 16V Z		C7403	NCB31HK-102X	C CAPACITOR	1000pF 50V K	
C3530	NCB31CK-104X	C CAPACITOR	0.1uF 16V K		C7501	NCF31CZ-104X	C CAPACITOR	0.1uF 16V Z	
C3531	NCB31CK-104X	C CAPACITOR	0.1uF 16V K		C7502	NCF31CZ-104X	C CAPACITOR	0.1uF 16V Z	
C3532	NCB30JK-225X	C CAPACITOR	2.2uF 6.3V K		C7503	NCF31CZ-104X	C CAPACITOR	0.1uF 16V Z	
C3533	NCB30JK-225X	C CAPACITOR	2.2uF 6.3V K		C7504	NCF31CZ-104X	C CAPACITOR	0.1uF 16V Z	
C3535	NCF31CZ-474X	C CAPACITOR	0.47uF 16V Z		C7505	NCF31CZ-104X	C CAPACITOR	0.1uF 16V Z	
C3539	NCF31CZ-474X	C CAPACITOR	0.47uF 16V Z		C7506	NCF31CZ-104X	C CAPACITOR	0.1uF 16V Z	
C3540	NCF31CZ-474X	C CAPACITOR	0.47uF 16V Z		C7507	NCF31CZ-104X	C CAPACITOR	0.1uF 16V Z	
C3542	NCF31CZ-474X	C CAPACITOR	0.47uF 16V Z		C7508	NCF31CZ-104X	C CAPACITOR	0.1uF 16V Z	
C3543	NCB31CK-104X	C CAPACITOR	0.1uF 16V K		C7509	NCF31CZ-104X	C CAPACITOR	0.1uF 16V Z	
C3548	NCB31CK-104X	C CAPACITOR	0.1uF 16V K		C7510	NEHM1CM-106X	E CAPACITOR	10uF 16V M	
C3549	NBZ0007-107X	SP E CAPACITOR	100uF 4V M		C7511	NCF31CZ-104X	C CAPACITOR	0.1uF 16V Z	
C3550	NCB31CK-104X	C CAPACITOR	0.1uF 16V K		C7512	NCF31CZ-104X	C CAPACITOR	0.1uF 16V Z	
C3551	NBZ0007-107X	SP E CAPACITOR	100uF 4V M		C7513	NCF31CZ-104X	C CAPACITOR	0.1uF 16V Z	
C3552	NCB31CK-104X	C CAPACITOR	0.1uF 16V K		C7515	NCF31CZ-104X	C CAPACITOR	0.1uF 16V Z	
C4002	NCB31CK-104X	C CAPACITOR	0.1uF 16V K		C7516	NDC31HJ-330X	C CAPACITOR	33pF 50V J	
C4003	NCB31CK-104X	C CAPACITOR	0.1uF 16V K		C7517	NDC31HJ-270X	C CAPACITOR	27pF 50V J	
C4005	NCB31AK-105X	C CAPACITOR	1uF 10V K		C7518	NRSA63J-0R0X	MG RESISTOR	0Ω 1/16W J	
C4006	NCB31AK-105X	C CAPACITOR	1uF 10V K		C7520	NCF31CZ-104X	C CAPACITOR	0.1uF 16V Z	
C4008	NCF11CZ-475X	C CAPACITOR	4.7uF 16V Z		C7522	NEHM1CM-106X	E CAPACITOR	10uF 16V M	
C4009	NCB31AK-105X	C CAPACITOR	1uF 10V K		C7523	NEHM1CM-476X	E CAPACITOR	47uF 16V M	
C4010	NCB31AK-105X	C CAPACITOR	1uF 10V K		C7524	NEHM1CM-476X	E CAPACITOR	47uF 16V M	
C4011	NCF11CZ-475X	C CAPACITOR	4.7uF 16V Z		C7525	NCF31CZ-104X	C CAPACITOR	0.1uF 16V Z	
C4012	NCB31AK-105X	C CAPACITOR	1uF 10V K		C7526	NCF31CZ-104X	C CAPACITOR	0.1uF 16V Z	
C4013	NCB31AK-105X	C CAPACITOR	1uF 10V K		C7527	NCF31CZ-104X	C CAPACITOR	0.1uF 16V Z	
C4016	NCB31AK-105X	C CAPACITOR	1uF 10V K		C7528	NCF31CZ-104X	C CAPACITOR	0.1uF 16V Z	
C4020	NCB31AK-105X	C CAPACITOR	1uF 10V K		C7529	NCF31CZ-104X	C CAPACITOR	0.1uF 16V Z	
C4022	NCB31CK-104X	C CAPACITOR	0.1uF 16V K		C7530	NCF31CZ-104X	C CAPACITOR	0.1uF 16V Z	
C4023	NCB31CK-104X	C CAPACITOR	0.1uF 16V K		C7531	NEHM1CM-476X	E CAPACITOR	47uF 16V M	
C4029	NDC31HJ-470X	C CAPACITOR	47pF 50V J		C7532	NCF31CZ-104X	C CAPACITOR	0.1uF 16V Z	
C4030	NDC31HJ-470X	C CAPACITOR	47pF 50V J		C7533	NCF31CZ-104X	C CAPACITOR	0.1uF 16V Z	
C4031	NCB11AK-106X	C CAPACITOR	10uF 10V K		C7534	NCB11AK-106X	C CAPACITOR	10uF 10V K	
C4901	NCB31HK-103X	C CAPACITOR	0.01uF 50V K		C7535	NCF31CZ-104X	C CAPACITOR	0.1uF 16V Z	
C4902	NCB31HK-103X	C CAPACITOR	0.01uF 50V K		C7536	NDC31HJ-470X	C CAPACITOR	47pF 50V J	
C4906	NCB31HK-103X	C CAPACITOR	0.01uF 50V K		C7541	NCB31HK-103X	C CAPACITOR	0.01uF 50V K	
C4907	NCB31HK-103X	C CAPACITOR	0.01uF 50V K		C7542	NEHL0GM-227X	E CAPACITOR	220uF 4V M	
C4908	NCB31HK-103X	C CAPACITOR	0.01uF 50V K		C7543	NCB30JK-225X	C CAPACITOR	2.2uF 6.3V K	
C4909	NCB31HK-103X	C CAPACITOR	0.01uF 50V K		C7544	NEHL0JM-107X	E CAPACITOR	100uF 6.3V M	
C4910	NCB31HK-103X	C CAPACITOR	0.01uF 50V K		C7545	NCB30JK-225X	C CAPACITOR	2.2uF 6.3V K	
C4913	NCB31HK-103X	C CAPACITOR	0.01uF 50V K		C7546	NCF31CZ-104X	C CAPACITOR	0.1uF 16V Z	
C4914	NCB31HK-103X	C CAPACITOR	0.01uF 50V K		C7547	NCB30JK-225X	C CAPACITOR	2.2uF 6.3V K	
C4915	NCB31HK-103X	C CAPACITOR	0.01uF 50V K		C7548	NEHL0GM-227X	E CAPACITOR	220uF 4V M	
C4916	NCB31HK-103X	C CAPACITOR	0.01uF 50V K		C7550	NCB31HK-103X	C CAPACITOR	0.01uF 50V K	
C4917	NCB31HK-103X	C CAPACITOR	0.01uF 50V K		C7552	NCB31AK-105X	C CAPACITOR	1uF 10V K	
C4919	NCB31HK-103X	C CAPACITOR	0.01uF 50V K		C7557	NCB31CK-104X	C CAPACITOR	0.1uF 16V K	
C4920	NCB31HK-103X	C CAPACITOR	0.01uF 50V K		C7616	NCB11CK-105X	C CAPACITOR	1uF 16V K	
C4921	NCB31HK-103X	C CAPACITOR	0.01uF 50V K		C9001	NEHM1CM-476X	E CAPACITOR	47uF 16V M	
C4922	NCB31HK-103X	C CAPACITOR	0.01uF 50V K		C9002	NEHM1CM-476X	E CAPACITOR	47uF 16V M	
C4923	NCB31HK-103X	C CAPACITOR	0.01uF 50V K		C9003	NEHM1CM-476X	E CAPACITOR	47uF 16V M	
C4925	NCB31HK-103X	C CAPACITOR	0.01uF 50V K		C9202	NCJ41HK-335X-U	C CAPACITOR		
C4926	NCB31HK-103X	C CAPACITOR	0.01uF 50V K		C9203	NCB31EK-393X	C CAPACITOR	0.039uF 25V K	
C4931	NCB31HK-103X	C CAPACITOR	0.01uF 50V K		C9204	NCB31HK-103X	C CAPACITOR	0.01uF 50V K	
C4932	NCB31HK-103X	C CAPACITOR	0.01uF 50V K		C9205	NCJ41CK-226X-U	C CAPACITOR	22mF 16V K	
C4933	NCB31HK-103X	C CAPACITOR	0.01uF 50V K		C9207	NCB31HK-222X	C CAPACITOR	2200pF 50V K	
C4934	NCB31HK-103X	C CAPACITOR	0.01uF 50V K		C9209	NELA1AM-157X	E CAPACITOR	150uF 10V M	
C4935	NCB31HK-103X	C CAPACITOR	0.01uF 50V K		C9211	NCB31HK-153X	C CAPACITOR	0.015uF 50V K	
C4936	NCB31HK-103X	C CAPACITOR	0.01uF 50V K		C9212	NCB31HK-222X	C CAPACITOR	2200pF 50V K	
C4937	NCB31HK-103X	C CAPACITOR	0.01uF 50V K						
C4938	NCB31HK-103X	C CAPACITOR	0.01uF 50V K		R0105	NRSA63J-101X	MG RESISTOR	100Ω 1/16W J	
C4939	NCB31HK-103X	C CAPACITOR	0.01uF 50V K		R0106	NRSA63J-331X	MG RESISTOR	330Ω 1/16W J	
C4940	NCB31HK-103X	C CAPACITOR	0.01uF 50V K		R0107	NRSA63J-331X	MG RESISTOR	330Ω 1/16W J	
C4941	NCB31HK-103X	C CAPACITOR	0.01uF 50V K		R0109	NRSA63J-101X	MG RESISTOR	100Ω 1/16W J	
C4942	NCB31HK-103X	C CAPACITOR	0.01uF 50V K		R0110	NRSA63J-101X	MG RESISTOR	100Ω 1/16W J	
C6013	NCB31CK-104X	C CAPACITOR	0.1uF 16V K		R0114	NRSA63J-472X	MG RESISTOR	4.7kΩ 1/16W J	
C6014	NCB31CK-104X	C CAPACITOR	0.1uF 16V K		R0116	NRSA63J-101X	MG RESISTOR	100Ω 1/16W J	
C6015	NCB31CK-104X	C CAPACITOR	0.1uF 16V K		R0119	NRSA63J-271X	MG RESISTOR	270Ω 1/16W J	
C6512	NCB31CK-104X	C CAPACITOR	0.1uF 16V K		R0121	NRSA63J-101X	MG RESISTOR	100Ω 1/16W J	
C6513	NCB31CK-104X	C CAPACITOR	0.1uF 16V K		R0122	NRSA63J-102X	MG RESISTOR	1kΩ 1/16W J	
C6514	NCB31CK-104X	C CAPACITOR	0.1uF 16V K		R0125	NRSA63J-222X	MG RESISTOR	2.2kΩ 1/16W J	
C6515	NCB31CK-104X	C CAPACITOR	0.1uF 16V K		R0126	NRSA63J-103X	MG RESISTOR	10kΩ 1/16W J	
C6516	NCB31CK-104X	C CAPACITOR	0.1uF 16V K		R0127	NRSA63J-0R0X	MG RESISTOR	0Ω 1/16W J	
C6520	NCB31CK-104X	C CAPACITOR	0.1uF 16V K		R0128	NRSA63J-102X	MG RESISTOR	1kΩ 1/16W J	
C6521	NCB31CK-104X	C CAPACITOR	0.1uF 16V K		R0129	NRSA63J-103X	MG RESISTOR	10kΩ 1/16W J	
C6522	NCB31CK-104X	C CAPACITOR	0.1uF 16V K		R0131	NRSA63J-472X	MG RESISTOR	4.7kΩ 1/16W J	
C6523	NCB11AK-106X	C CAPACITOR	10uF 10V K		R0132	NRSA63J-472X	MG RESISTOR	4.7kΩ 1/16W J	
C7001	NCB31AK-105X	C CAPACITOR	1uF 10V K		R0133	NRSA63J-0R0X	MG RESISTOR	0Ω 1/16W J	
C7002	NCB31AK-105X	C CAPACITOR	1uF 10V K		R0134	NRSA63J-472X	MG RESISTOR	4.7kΩ 1/16W J	
C7003	NCF11CZ-475X	C CAPACITOR	4.7uF 16V Z		R0137	NRSA63J-151X	MG RESISTOR	150Ω 1/16W J	
C7006	NDC31HJ-150X	C CAPACITOR	15pF 50V J		R0138	NRSA63J-330X	MG RESISTOR	33Ω 1/16W J	
C7007	NCB31AK-105X	C CAPACITOR	1uF 10V K		R0140	NRSA63J-182X	MG RESISTOR	1.8kΩ 1/16W J	
C7012	NCB31CK-104X	C CAPACITOR	0.1uF 16V K		R0141	NRSA63J-472X	MG RESISTOR	4.7kΩ 1/16W J	
C7013	NCB31HK-103X	C CAPACITOR	0.01uF 50V K		R0205	NRSA63J-101X	MG RESISTOR	100Ω 1/16W J	
C7017	NDC31HJ-391X	C CAPACITOR	390pF 50V J		R0206	NRSA63J-331X	MG RESISTOR	330Ω 1/16W J	
C7018	NCB31AK-105X	C CAPACITOR	1uF 10V K		R0207	NRSA63J-331X	MG RESISTOR	330Ω 1/16W J	
C7025	NCB31CK-104X	C CAPACITOR	0.1uF 16V K		R0208	NRSA63J-681X	MG RESISTOR	680Ω 1/16W J	
C7201	NCB31AK-105X	C CAPACITOR	1uF 10V K		R0209	NRSA63J-151X	MG RESISTOR	150Ω 1/16W J	
C7202	NCB31CK-104X	C CAPACITOR	0.1uF 16V K		R0210	NRSA63J-101X	MG RESISTOR	100Ω 1/16W J	
C7203	NCB31CK-104X	C CAPACITOR	0.1uF 16V K		R0211	NRSA63J-472X	MG RESISTOR	4.7kΩ 1/16W J	
C7401	NCB31CK-104X	C CAPACITOR	0.1uF 16V K		R0214	NRSA63J-472X	MG RESISTOR	4.7kΩ 1/16W J	
C7402	NDC31HJ-101X	C CAPACITOR	100pF 50V J		R0216	NRSA63J-101X	MG RESISTOR	100Ω 1/16W J	

△Ref No.	Part No.	Part Name	Description	Local	△Ref No.	Part No.	Part Name	Description	Local
R0219	NRSA63J-271X	MG RESISTOR	270Ω 1/16W J		R1107	NRSA63J-331X	MG RESISTOR	330Ω 1/16W J	
R0221	NRSA63J-101X	MG RESISTOR	100Ω 1/16W J		R1108	NRSA63J-681X	MG RESISTOR	680Ω 1/16W J	
R0222	NRSA63J-102X	MG RESISTOR	1kΩ 1/16W J		R1113	NRSA63J-330X	MG RESISTOR	33Ω 1/16W J	
R0225	NRSA63J-222X	MG RESISTOR	2.2kΩ 1/16W J		R1114	NRSA63J-0R0X	MG RESISTOR	0Ω 1/16W J	
R0226	NRSA63J-472X	MG RESISTOR	4.7kΩ 1/16W J		R1115	NRSA63J-0R0X	MG RESISTOR	0Ω 1/16W J	
R0227	NRSA63J-181X	MG RESISTOR	180Ω 1/16W J		R1201	NRSA63J-182X	MG RESISTOR	1.8kΩ 1/16W J	
R0228	NRSA63J-102X	MG RESISTOR	1kΩ 1/16W J		R1203	NRSA63J-101X	MG RESISTOR	100Ω 1/16W J	
R0229	NRSA63J-103X	MG RESISTOR	10kΩ 1/16W J		R1204	NRSA63J-332X	MG RESISTOR	3.3kΩ 1/16W J	
R0231	NRSA63J-472X	MG RESISTOR	4.7kΩ 1/16W J		R1205	NRSA63J-561X	MG RESISTOR	560Ω 1/16W J	
R0232	NRSA63J-472X	MG RESISTOR	4.7kΩ 1/16W J		R1206	NRSA63J-471X	MG RESISTOR	470Ω 1/16W J	
R0233	NRSA63J-0R0X	MG RESISTOR	0Ω 1/16W J		R1207	NRSA63J-331X	MG RESISTOR	330Ω 1/16W J	
R0234	NRSA63J-472X	MG RESISTOR	4.7kΩ 1/16W J		R1213	NRSA63J-330X	MG RESISTOR	33Ω 1/16W J	
R0237	NRSA63J-271X	MG RESISTOR	270Ω 1/16W J		R1301	NRSA63J-182X	MG RESISTOR	1.8kΩ 1/16W J	
R0238	NRSA63J-330X	MG RESISTOR	33Ω 1/16W J		R1303	NRSA63J-101X	MG RESISTOR	100Ω 1/16W J	
R0240	NRSA63J-182X	MG RESISTOR	1.8kΩ 1/16W J		R1304	NRSA63J-332X	MG RESISTOR	3.3kΩ 1/16W J	
R0241	NRSA63J-472X	MG RESISTOR	4.7kΩ 1/16W J		R1305	NRSA63J-561X	MG RESISTOR	560Ω 1/16W J	
R0242	NRSA63J-472X	MG RESISTOR	4.7kΩ 1/16W J		R1306	NRSA63J-471X	MG RESISTOR	470Ω 1/16W J	
R0243	NRSA63J-103X	MG RESISTOR	10kΩ 1/16W J		R1307	NRSA63J-561X	MG RESISTOR	560Ω 1/16W J	
R0305	NRSA63J-101X	MG RESISTOR	100Ω 1/16W J		R1313	NRSA63J-330X	MG RESISTOR	33Ω 1/16W J	
R0306	NRSA63J-331X	MG RESISTOR	330Ω 1/16W J		R1401	NRSA63J-182X	MG RESISTOR	1.8kΩ 1/16W J	
R0307	NRSA63J-331X	MG RESISTOR	330Ω 1/16W J		R1403	NRSA63J-101X	MG RESISTOR	100Ω 1/16W J	
R0308	NRSA63J-681X	MG RESISTOR	680Ω 1/16W J		R1404	NRSA63J-332X	MG RESISTOR	3.3kΩ 1/16W J	
R0309	NRSA63J-151X	MG RESISTOR	150Ω 1/16W J		R1405	NRSA63J-561X	MG RESISTOR	560Ω 1/16W J	
R0310	NRSA63J-101X	MG RESISTOR	100Ω 1/16W J		R1406	NRSA63J-471X	MG RESISTOR	470Ω 1/16W J	
R0311	NRSA63J-472X	MG RESISTOR	4.7kΩ 1/16W J		R1407	NRSA63J-561X	MG RESISTOR	560Ω 1/16W J	
R0314	NRSA63J-472X	MG RESISTOR	4.7kΩ 1/16W J		R1413	NRSA63J-330X	MG RESISTOR	33Ω 1/16W J	
R0316	NRSA63J-101X	MG RESISTOR	100Ω 1/16W J		R1523	NCB31CK-104X	C CAPACITOR	0.1uF 16V K	
R0319	NRSA63J-271X	MG RESISTOR	270Ω 1/16W J		R1524	NRSA63J-474X	MG RESISTOR	470kΩ 1/16W J	
R0321	NRSA63J-101X	MG RESISTOR	100Ω 1/16W J		R1525	NRSA63J-0R0X	MG RESISTOR	0Ω 1/16W J	
R0322	NRSA63J-102X	MG RESISTOR	1kΩ 1/16W J		R1584	NRSA63J-0R0X	MG RESISTOR	0Ω 1/16W J	
R0325	NRSA63J-222X	MG RESISTOR	2.2kΩ 1/16W J		R2152	NRSA63J-0R0X	MG RESISTOR	0Ω 1/16W J	
R0326	NRSA63J-472X	MG RESISTOR	4.7kΩ 1/16W J		R3001	NRSA63J-103X	MG RESISTOR	10kΩ 1/16W J	
R0327	NRSA63J-181X	MG RESISTOR	180Ω 1/16W J		R3004	NRSA63J-103X	MG RESISTOR	10kΩ 1/16W J	
R0328	NRSA63J-102X	MG RESISTOR	1kΩ 1/16W J		R3006	NRSA63J-0R0X	MG RESISTOR	0Ω 1/16W J	
R0329	NRSA63J-103X	MG RESISTOR	10kΩ 1/16W J		R3007	NRSA63J-0R0X	MG RESISTOR	0Ω 1/16W J	
R0331	NRSA63J-472X	MG RESISTOR	4.7kΩ 1/16W J		R3008	NRSA63J-0R0X	MG RESISTOR	0Ω 1/16W J	
R0332	NRSA63J-472X	MG RESISTOR	4.7kΩ 1/16W J		R3009	NRSA63J-0R0X	MG RESISTOR	0Ω 1/16W J	
R0333	NRSA63J-0R0X	MG RESISTOR	0Ω 1/16W J		R3012	NRSA63J-0R0X	MG RESISTOR	0Ω 1/16W J	
R0334	NRSA63J-472X	MG RESISTOR	4.7kΩ 1/16W J		R3013	NRSA63J-0R0X	MG RESISTOR	0Ω 1/16W J	
R0337	NRSA63J-271X	MG RESISTOR	270Ω 1/16W J		R3014	NRSA63J-0R0X	MG RESISTOR	0Ω 1/16W J	
R0338	NRSA63J-330X	MG RESISTOR	33Ω 1/16W J		R3015	NRSA63J-0R0X	MG RESISTOR	0Ω 1/16W J	
R0340	NRSA63J-182X	MG RESISTOR	1.8kΩ 1/16W J		R3018	NRSA02J-3R3X	MG RESISTOR	3.3Ω 1/10W J	
R0341	NRSA63J-472X	MG RESISTOR	4.7kΩ 1/16W J		R3019	NRSA02J-3R3X	MG RESISTOR	3.3Ω 1/10W J	
R0342	NRSA63J-472X	MG RESISTOR	4.7kΩ 1/16W J		R3020	NRSA02J-3R3X	MG RESISTOR	3.3Ω 1/10W J	
R0343	NRSA63J-103X	MG RESISTOR	10kΩ 1/16W J		R3021	NRSA63D-102X	MG RESISTOR	1kΩ 1/16W D	
R0344	NRSA63J-472X	MG RESISTOR	4.7kΩ 1/16W J		R3022	NRSA63D-332X	MG RESISTOR	3.3kΩ 1/16W D	
R0345	NRSA63J-472X	MG RESISTOR	4.7kΩ 1/16W J		R3023	NRSA63D-332X	MG RESISTOR	3.3kΩ 1/16W D	
R0501	NRSA63J-0R0X	MG RESISTOR	0Ω 1/16W J		R3024	NRSA63J-102X	MG RESISTOR	1kΩ 1/16W J	
R0502	NRSA63J-0R0X	MG RESISTOR	0Ω 1/16W J		R3028	NRSA63J-102X	MG RESISTOR	1kΩ 1/16W J	
R0504	NRSA63J-0R0X	MG RESISTOR	0Ω 1/16W J		R3029	NRSA63D-392X	MG RESISTOR	3.9kΩ 1/16W D	
R0506	NRSA63J-0R0X	MG RESISTOR	0Ω 1/16W J		R3030	NRSA63D-102X	MG RESISTOR	1kΩ 1/16W D	
R0507	NRSA63J-0R0X	MG RESISTOR	0Ω 1/16W J		R3031	NRSA63D-151X	MG RESISTOR	150Ω 1/16W D	
R0508	NRSA63J-0R0X	MG RESISTOR	0Ω 1/16W J		R3032	NRSA63J-5R6X	MG RESISTOR	5.6Ω 1/16W J	
R0516	NRSA63J-0R0X	MG RESISTOR	0Ω 1/16W J		R3033	NRSA63J-5R6X	MG RESISTOR	5.6Ω 1/16W J	
R0517	NRSA63J-0R0X	MG RESISTOR	0Ω 1/16W J		R3034	NRSA63J-5R6X	MG RESISTOR	5.6Ω 1/16W J	
R0518	NRSA63J-0R0X	MG RESISTOR	0Ω 1/16W J		R3036	NRSA63J-102X	MG RESISTOR	1kΩ 1/16W J	
R0519	NRSA63J-0R0X	MG RESISTOR	0Ω 1/16W J		R3037	NRSA63J-220X	MG RESISTOR	22Ω 1/16W J	
R0520	NRSA63J-0R0X	MG RESISTOR	0Ω 1/16W J		R3038	NRSA63J-472X	MG RESISTOR	4.7kΩ 1/16W J	
R0522	NRSA63J-0R0X	MG RESISTOR	0Ω 1/16W J		R3040	NRSA63J-201X	MG RESISTOR	200Ω 1/16W J	
R0523	NRSA63J-0R0X	MG RESISTOR	0Ω 1/16W J		R3041	NRSA63J-102X	MG RESISTOR	1kΩ 1/16W J	
R0524	NRSA63J-0R0X	MG RESISTOR	0Ω 1/16W J		R3042	NRSA63J-201X	MG RESISTOR	200Ω 1/16W J	
R0526	NRSA63J-0R0X	MG RESISTOR	0Ω 1/16W J		R3043	NRSA63J-562X	MG RESISTOR	5.6kΩ 1/16W J	
R0527	NRSA63J-0R0X	MG RESISTOR	0Ω 1/16W J		R3044	NRSA63J-821X	MG RESISTOR	820Ω 1/16W J	
R1001	NRSA63J-274X	MG RESISTOR	270kΩ 1/16W J		R3045	NRSA63J-220X	MG RESISTOR	22Ω 1/16W J	
R1002	NRSA63D-101X	MG RESISTOR	100Ω 1/16W D		R3047	NRSA63J-562X	MG RESISTOR	5.6kΩ 1/16W J	
R1004	NRSA63J-221X	MG RESISTOR	220Ω 1/16W J		R3048	NRSA63J-821X	MG RESISTOR	820Ω 1/16W J	
R1005	NRSA63J-103X	MG RESISTOR	10kΩ 1/16W J		R3053	NRSA63J-272X	MG RESISTOR	2.7kΩ 1/16W J	
R1006	NRSA63J-101X	MG RESISTOR	100Ω 1/16W J		R3054	NRSA63J-0R0X	MG RESISTOR	0Ω 1/16W J	
R1007	NRSA63J-101X	MG RESISTOR	100Ω 1/16W J		R3056	NRSA63J-0R0X	MG RESISTOR	0Ω 1/16W J	
R1010	NRSA63J-183X	MG RESISTOR	18kΩ 1/16W J		R3063	NRSA63J-101X	MG RESISTOR	100Ω 1/16W J	
R1011	NQL093K-R10X	P COIL	0.1uH K		R3064	NRSA63J-101X	MG RESISTOR	100Ω 1/16W J	
R1012	NRSA63J-152X	MG RESISTOR	1.5kΩ 1/16W J		R3065	NRSA63J-101X	MG RESISTOR	100Ω 1/16W J	
R1013	NRSA63J-122X	MG RESISTOR	1.2kΩ 1/16W J		R3066	NRSA63J-101X	MG RESISTOR	100Ω 1/16W J	
R1014	NRSA63J-101X	MG RESISTOR	100Ω 1/16W J		R3069	NRSA63J-0R0X	MG RESISTOR	0Ω 1/16W J	
R1017	NRSA63J-101X	MG RESISTOR	100Ω 1/16W J		R3070	NRSA63J-0R0X	MG RESISTOR	0Ω 1/16W J	
R1018	NRSA63J-332X	MG RESISTOR	3.3kΩ 1/16W J		R3071	NRSA63J-0R0X	MG RESISTOR	0Ω 1/16W J	
R1019	NRSA63J-0R0X	MG RESISTOR	0Ω 1/16W J		R3072	NRSA63J-0R0X	MG RESISTOR	0Ω 1/16W J	
R1021	NRSA63J-101X	MG RESISTOR	100Ω 1/16W J		R3089	NRSA63J-220X	MG RESISTOR	22Ω 1/16W J	
R1022	NRSA63J-101X	MG RESISTOR	100Ω 1/16W J		R3090	NRSA63J-220X	MG RESISTOR	22Ω 1/16W J	
R1025	NRSA63J-101X	MG RESISTOR	100Ω 1/16W J		R3091	NRSA63J-220X	MG RESISTOR	22Ω 1/16W J	
R1026	NRSA63J-103X	MG RESISTOR	10kΩ 1/16W J		R3092	NRSA63J-220X	MG RESISTOR	22Ω 1/16W J	
R1027	NRSA63J-103X	MG RESISTOR	10kΩ 1/16W J		R3093	NRSA63J-220X	MG RESISTOR	22Ω 1/16W J	
R1028	NRSA63J-103X	MG RESISTOR	10kΩ 1/16W J		R3094	NRSA63J-510X	MG RESISTOR	51Ω 1/16W J	
R1029	NRSA63J-103X	MG RESISTOR	10kΩ 1/16W J		R3095	NRSA63J-510X	MG RESISTOR	51Ω 1/16W J	
R1030	NRSA63J-103X	MG RESISTOR	10kΩ 1/16W J		R3096	NRSA63J-510X	MG RESISTOR	51Ω 1/16W J	
R1101	NRSA63J-182X	MG RESISTOR	1.8kΩ 1/16W J		R3097	NRSA63J-510X	MG RESISTOR	51Ω 1/16W J	
R1102	NRSA63J-101X	MG RESISTOR	100Ω 1/16W J		R3098	NRSA63J-510X	MG RESISTOR	51Ω 1/16W J	
R1104	NRSA63J-332X	MG RESISTOR	3.3kΩ 1/16W J		R3099	NRSA63J-510X	MG RESISTOR	51Ω 1/16W J	
R1105	NRSA63J-561X	MG RESISTOR	560Ω 1/16W J		R3100	NRSA63J-510X	MG RESISTOR	51Ω 1/16W J	
R1106	NRSA63J-561X	MG RESISTOR	560Ω 1/16W J		R3101	NRSA63J-510X	MG RESISTOR	51Ω 1/16W J	

△Ref No.	Part No.	Part Name	Description	Local	△Ref No.	Part No.	Part Name	Description	Local
R7106	NRSA63J-0R0X	MG RESISTOR	0Ω 1/16W J		R7717	NRSA63J-101X	MG RESISTOR	100Ω 1/16W J	
R7108	NRSA63J-101X	MG RESISTOR	100Ω 1/16W J		R7718	NRSA63J-101X	MG RESISTOR	100Ω 1/16W J	
R7109	NRSA63J-101X	MG RESISTOR	100Ω 1/16W J		R7719	NRSA63J-184X	MG RESISTOR	180kΩ 1/16W J	
R7111	NRSA63J-103X	MG RESISTOR	10kΩ 1/16W J		R7720	NRSA63J-472X	MG RESISTOR	4.7kΩ 1/16W J	
R7112	NRSA63J-103X	MG RESISTOR	10kΩ 1/16W J		R7725	NRSA63J-472X	MG RESISTOR	4.7kΩ 1/16W J	
R7117	NRSA63J-103X	MG RESISTOR	10kΩ 1/16W J		R7726	NRSA63J-472X	MG RESISTOR	4.7kΩ 1/16W J	
R7118	NRSA63J-103X	MG RESISTOR	10kΩ 1/16W J		R9201	NRSA63J-473X	MG RESISTOR	47kΩ 1/16W J	
R7119	NRSA63J-101X	MG RESISTOR	100Ω 1/16W J		R9202	NRSA02J-0R0X	MG RESISTOR	0Ω 1/10W J	
R7120	NRSA63J-101X	MG RESISTOR	100Ω 1/16W J		R9204	NRSA63D-272X	MG RESISTOR	2.7kΩ 1/16W D	
R7132	NRSA63J-101X	MG RESISTOR	100Ω 1/16W J		R9205	NRSA63D-103X	MG RESISTOR	10kΩ 1/16W D	
R7133	NRSA63J-0R0X	MG RESISTOR	0Ω 1/16W J		R9206	NRSA63J-472X	MG RESISTOR	4.7kΩ 1/16W J	
R7134	NRSA63J-221X	MG RESISTOR	220Ω 1/16W J		R9207	NRSA02J-0R0X	MG RESISTOR	0Ω 1/10W J	
R7135	NRSA63J-221X	MG RESISTOR	220Ω 1/16W J		R9208	NRSA63J-105X	MG RESISTOR	1MΩ 1/16W J	
R7136	NRSA63J-0R0X	MG RESISTOR	0Ω 1/16W J		R9209	NRSA63J-680X	MG RESISTOR	68Ω 1/16W J	
R7137	NRSA63J-0R0X	MG RESISTOR	0Ω 1/16W J		R9210	NRSA63J-0R0X	MG RESISTOR	0Ω 1/16W J	
R7140	NRSA63J-473X	MG RESISTOR	47kΩ 1/16W J		RA1001	NRZ0080-510X	NET RESISTOR	51Ω 1/16W J	
R7144	NCB30JK-105X	C CAPACITOR	1uF 6.3V K		RA1002	NRZ0080-510X	NET RESISTOR	51Ω 1/16W J	
R7145	NCB30JK-105X	C CAPACITOR	1uF 6.3V K		RA1003	NRZ0040-101X	NET RESISTOR	100Ω 1/16W J x4	
R7146	NCB30JK-105X	C CAPACITOR	1uF 6.3V K		RA3002	NRZ0034-103W	NET RESISTOR	10kΩ 1/32W J x4	
R7148	NRSA63J-101X	MG RESISTOR	100Ω 1/16W J		RA3004	NRZ0034-103W	NET RESISTOR	10kΩ 1/32W J x4	
R7149	NRSA63J-103X	MG RESISTOR	10kΩ 1/16W J		RA3013	NRZ0034-220W	NET RESISTOR	22Ω 1/32W J x4	
R7150	NRSA63J-103X	MG RESISTOR	10kΩ 1/16W J		RA3014	NRZ0034-220W	NET RESISTOR	22Ω 1/32W J x4	
R7151	NRSA63J-273X	MG RESISTOR	27kΩ 1/16W J		RA3015	NRZ0034-220W	NET RESISTOR	22Ω 1/32W J x4	
R7152	NRSA63J-273X	MG RESISTOR	27kΩ 1/16W J		RA3016	NRZ0034-220W	NET RESISTOR	22Ω 1/32W J x4	
R7153	NRSA63J-101X	MG RESISTOR	100Ω 1/16W J		RA3018	NRZ0080-510X	NET RESISTOR	51Ω 1/16W J	
R7158	NRSA63J-103X	MG RESISTOR	10kΩ 1/16W J		RA3020	NRZ0080-510X	NET RESISTOR	51Ω 1/16W J	
R7159	NRSA63J-0R0X	MG RESISTOR	0Ω 1/16W J		RA3022	NRZ0080-510X	NET RESISTOR	51Ω 1/16W J	
R7160	NRSA63J-0R0X	MG RESISTOR	0Ω 1/16W J		RA3023	NRZ0040-510X	NET RESISTOR	51Ω 1/16W J x4	
R7161	NRSA63J-103X	MG RESISTOR	10kΩ 1/16W J		RA3024	NRZ0040-510X	NET RESISTOR	51Ω 1/16W J x4	
R7202	NRSA63J-273X	MG RESISTOR	27kΩ 1/16W J		RA3025	NRZ0040-510X	NET RESISTOR	51Ω 1/16W J x4	
R7203	NRSA63J-221X	MG RESISTOR	220Ω 1/16W J		RA3026	NRZ0040-510X	NET RESISTOR	51Ω 1/16W J x4	
R7204	NRSA63J-103X	MG RESISTOR	10kΩ 1/16W J		RA3028	NRZ0080-510X	NET RESISTOR	51Ω 1/16W J	
R7205	NRSA63J-102X	MG RESISTOR	1kΩ 1/16W J		RA3030	NRZ0080-510X	NET RESISTOR	51Ω 1/16W J	
R7206	NRSA63J-103X	MG RESISTOR	10kΩ 1/16W J		RA3032	NRZ0080-510X	NET RESISTOR	51Ω 1/16W J	
R7207	NRSA63J-103X	MG RESISTOR	10kΩ 1/16W J		RA3502	NRZ0080-510X	NET RESISTOR	51Ω 1/16W J	
R7208	NRSA63J-102X	MG RESISTOR	1kΩ 1/16W J		RA3506	NRZ0040-510X	NET RESISTOR	51Ω 1/16W J x4	
R7209	NRSA63J-152X	MG RESISTOR	1.5kΩ 1/16W J		RA3508	NRZ0080-510X	NET RESISTOR	51Ω 1/16W J	
R7210	NRSA63J-103X	MG RESISTOR	10kΩ 1/16W J		RA3512	NRZ0080-510X	NET RESISTOR	51Ω 1/16W J	
R7211	NRSA63J-103X	MG RESISTOR	10kΩ 1/16W J		RA3516	NRZ0040-510X	NET RESISTOR	51Ω 1/16W J x4	
R7212	NRSA63J-473X	MG RESISTOR	47kΩ 1/16W J		RA3518	NRZ0040-510X	NET RESISTOR	51Ω 1/16W J x4	
R7213	NRSA63J-102X	MG RESISTOR	1kΩ 1/16W J		RA3521	NRZ0080-510X	NET RESISTOR	51Ω 1/16W J	
R7214	NRSA63J-103X	MG RESISTOR	10kΩ 1/16W J		RA3523	NRZ0040-510X	NET RESISTOR	51Ω 1/16W J x4	
R7215	NRSA63J-104X	MG RESISTOR	100kΩ 1/16W J		RA3526	NRZ0080-510X	NET RESISTOR	51Ω 1/16W J	
R7216	NRSA63J-0R0X	MG RESISTOR	0Ω 1/16W J		RA3530	NRZ0040-510X	NET RESISTOR	51Ω 1/16W J x4	
R7219	NRSA63J-0R0X	MG RESISTOR	0Ω 1/16W J		RA3531	NRZ0080-510X	NET RESISTOR	51Ω 1/16W J	
R7222	NRSA63J-0R0X	MG RESISTOR	0Ω 1/16W J		RA3536	NRZ0080-510X	NET RESISTOR	51Ω 1/16W J	
R7224	NRSA63J-683X	MG RESISTOR	68kΩ 1/16W J		RA3540	NRZ0040-510X	NET RESISTOR	51Ω 1/16W J x4	
R7401	NRSA63J-101X	MG RESISTOR	100Ω 1/16W J		RA3542	NRZ0040-510X	NET RESISTOR	51Ω 1/16W J x4	
R7404	NRSA63J-0R0X	MG RESISTOR	0Ω 1/16W J		RA3545	NRZ0080-510X	NET RESISTOR	51Ω 1/16W J	
R7501	NRSA63J-103X	MG RESISTOR	10kΩ 1/16W J		RA3547	NRZ0040-510X	NET RESISTOR	51Ω 1/16W J x4	
R7510	NRSA63J-472X	MG RESISTOR	4.7kΩ 1/16W J		RA4007	NRZ0034-101W	NET RESISTOR	100Ω 1/32W J x4	
R7511	NRSA63J-472X	MG RESISTOR	4.7kΩ 1/16W J		RA4008	NRZ0034-101W	NET RESISTOR	100Ω 1/32W J x4	
R7514	NRSA63J-472X	MG RESISTOR	4.7kΩ 1/16W J		RA4009	NRZ0034-101W	NET RESISTOR	100Ω 1/32W J x4	
R7515	NRSA63J-472X	MG RESISTOR	4.7kΩ 1/16W J		RA4010	NRZ0034-101W	NET RESISTOR	100Ω 1/32W J x4	
R7518	NRSA63J-472X	MG RESISTOR	4.7kΩ 1/16W J		RA4011	NRZ0034-101W	NET RESISTOR	100Ω 1/32W J x4	
R7553	NRSA63J-0R0X	MG RESISTOR	0Ω 1/16W J		RA4012	NRZ0034-101W	NET RESISTOR	100Ω 1/32W J x4	
R7556	NRSA63J-103X	MG RESISTOR	10kΩ 1/16W J		RA6515	NRZ0034-0R0W	NET RESISTOR	0Ω 1/32W J x4	
R7557	NRSA63J-221X	MG RESISTOR	220Ω 1/16W J		RA7007	NRZ0040-0R0X	NET RESISTOR	0Ω 1/16W J x4	
R7558	NRSA63J-0R0X	MG RESISTOR	0Ω 1/16W J		RA7501	NRZ0080-510X	NET RESISTOR	51Ω 1/16W J	
R7559	NRSA63J-101X	MG RESISTOR	100Ω 1/16W J		RA7502	NRZ0080-510X	NET RESISTOR	51Ω 1/16W J	
R7560	NRSA63J-473X	MG RESISTOR	47kΩ 1/16W J		RA7503	NRZ0040-0R0X	NET RESISTOR	0Ω 1/16W J x4	
R7561	NRSA63J-472X	MG RESISTOR	4.7kΩ 1/16W J		RA7504	NRZ0080-510X	NET RESISTOR	51Ω 1/16W J	
R7565	NRSA63J-0R0X	MG RESISTOR	0Ω 1/16W J		RA7505	NRZ0080-510X	NET RESISTOR	51Ω 1/16W J	
R7566	NRSA63J-222X	MG RESISTOR	2.2kΩ 1/16W J		L0101	NQL092K-R68X	P COIL	0.68uH K	
R7567	NRSA63J-222X	MG RESISTOR	2.2kΩ 1/16W J		L0102	NQL092K-1R0X	P COIL	1uH K	
R7568	NRSA63J-222X	MG RESISTOR	2.2kΩ 1/16W J		L0201	NQL092K-R68X	P COIL	0.68uH K	
R7569	NRSA63J-390X	MG RESISTOR	39Ω 1/16W J		L0202	NQL092K-1R0X	P COIL	1uH K	
R7576	NRSA63J-101X	MG RESISTOR	100Ω 1/16W J		L0301	NQL092K-R68X	P COIL	0.68uH K	
R7588	NRSA63J-221X	MG RESISTOR	220Ω 1/16W J		L0302	NQL092K-1R0X	P COIL	1uH K	
R7590	NRSA63J-101X	MG RESISTOR	100Ω 1/16W J		L0401	NRSA02J-0R0X	MG RESISTOR	0Ω 1/10W J	
R7599	NRSA63J-101X	MG RESISTOR	100Ω 1/16W J		L1001	NQR0489-002X	FERRITE BEADS		
R7602	NRSA63J-103X	MG RESISTOR	10kΩ 1/16W J		L1002	NQR0489-002X	FERRITE BEADS		
R7603	NRSA63J-103X	MG RESISTOR	10kΩ 1/16W J		L1003	NQL092K-1R5X	P COIL	1.5uH K	
R7692	NRSA63J-103X	MG RESISTOR	10kΩ 1/16W J		L1004	NQR0489-002X	FERRITE BEADS		
R7701	NRSA63J-472X	MG RESISTOR	4.7kΩ 1/16W J		L1005	NQR0489-002X	FERRITE BEADS		
R7702	NRSA63J-101X	MG RESISTOR	100Ω 1/16W J		L1006	NQR0489-002X	FERRITE BEADS		
R7703	NRSA63J-101X	MG RESISTOR	100Ω 1/16W J		L1008	NQL79GM-220X	COIL	22uH M	
R7704	NRSA63J-101X	MG RESISTOR	100Ω 1/16W J		L1010	NRSA02J-0R0X	MG RESISTOR	0Ω 1/10W J	
R7705	NRSA63J-101X	MG RESISTOR	100Ω 1/16W J		L1011	NQL79GM-470X	COIL	47uH M	
R7706	NRSA63J-101X	MG RESISTOR	100Ω 1/16W J		L1101	NQL092K-6R8X	P COIL	6.8uH K	
R7707	NRSA63J-101X	MG RESISTOR	100Ω 1/16W J		L1102	NRSA02J-0R0X	MG RESISTOR	0Ω 1/10W J	
R7708	NRSA63J-820X	MG RESISTOR	82Ω 1/16W J		L1103	NQL093K-1R0X	P COIL	1uH K	
R7709	NRSA63J-103X	MG RESISTOR	10kΩ 1/16W J		L1104	NQL093K-R10X	P COIL	0.1uH K	
R7710	NRSA63J-103X	MG RESISTOR	10kΩ 1/16W J		L1201	NQL092K-6R8X	P COIL	6.8uH K	
R7711	NRSA63J-103X	MG RESISTOR	10kΩ 1/16W J		L1203	NQL092K-1R0X	P COIL	1uH K	
R7712	NRSA63J-103X	MG RESISTOR	10kΩ 1/16W J		L1301	NQL092K-3R3X	P COIL	3.3uH K	
R7713	NRSA63J-101X	MG RESISTOR	100Ω 1/16W J		L1303	NQL092K-1R0X	P COIL	1uH K	
R7714	NRSA63J-101X	MG RESISTOR	100Ω 1/16W J		L1304	NQL093K-R10X	P COIL	0.1uH K	
R7715	NRSA63J-101X	MG RESISTOR	100Ω 1/16W J		L1401	NQL092K-3R3X	P COIL	3.3uH K	
R7716	NRSA63J-101X	MG RESISTOR	100Ω 1/16W J						

△Ref No.	Part No.	Part Name	Description	Local	△Ref No.	Part No.	Part Name	Description	Local
L1403	NQL092K-1R0X	P COIL	1uH K		J001	NNZ0117-001	HDMI CONNECTOR	DIGITAL IN	
L1404	NQL093K-R10X	P COIL	0.1uH K		K1001	NRSA02J-0R0X	MG RESISTOR	0Ω 1/10W J	
L1501	NRSA02J-0R0X	MG RESISTOR	0Ω 1/10W J		K1002	NRSA02J-0R0X	MG RESISTOR	0Ω 1/10W J	
L1533	NRSA02J-0R0X	MG RESISTOR	0Ω 1/10W J		K1003	NRSA02J-0R0X	MG RESISTOR	0Ω 1/10W J	
L1534	NRSA02J-0R0X	MG RESISTOR	0Ω 1/10W J		K1004	NQR0489-002X	FERRITE BEADS		
L3005	NRSA02J-0R0X	MG RESISTOR	0Ω 1/10W J		K1005	NRSA02J-0R0X	MG RESISTOR	0Ω 1/10W J	
L3006	NRSA02J-0R0X	MG RESISTOR	0Ω 1/10W J		K3003	NRSA63J-0R0X	MG RESISTOR	0Ω 1/16W J	
L3008	NRSA02J-0R0X	MG RESISTOR	0Ω 1/10W J		K3006	NRSA63J-0R0X	MG RESISTOR	0Ω 1/16W J	
L3009	NRSA02J-0R0X	MG RESISTOR	0Ω 1/10W J		K3009	NRSA02J-0R0X	MG RESISTOR	0Ω 1/10W J	
L3010	NRSA02J-0R0X	MG RESISTOR	0Ω 1/10W J		K7002	NRSA02J-0R0X	MG RESISTOR	0Ω 1/10W J	
L3011	NRSA02J-0R0X	MG RESISTOR	0Ω 1/10W J		K7502	NRSA63J-0R0X	MG RESISTOR	0Ω 1/16W J	
L3012	NRSA02J-0R0X	MG RESISTOR	0Ω 1/10W J		K7503	NQR0389-003X	FERRITE BEADS		
L3013	NQL093K-R10X	P COIL	0.1uH K		K9001	NQR0413-003X	FERRITE BEADS		
L3014	NQL093K-R10X	P COIL	0.1uH K		K9002	NQR0413-003X	FERRITE BEADS		
L3015	NQL093K-R10X	P COIL	0.1uH K		LC0102	NQR0483-005X	EMI FILTER	100uF 25V Z	
L3501	NQR0413-003X	FERRITE BEADS			LC0519	NQR0416-001X	EMI FILTER	240pF 16V M	
L4001	NQR0413-003X	FERRITE BEADS			LC0522	NQR0470-007X	EMI FILTER	2200pF 50V +50%-20%	
L4002	NRSA02J-0R0X	MG RESISTOR	0Ω 1/10W J		LC0524	NQR0483-005X	EMI FILTER	100uF 25V Z	
L4003	NRSA02J-0R0X	MG RESISTOR	0Ω 1/10W J		LC0527	NQR0483-006X	EMI FILTER		
L6501	NQR0351-001X	FERRITE BEADS			LC6501	NQR0479-001X	EMI FILTER		
L6502	NRSA02J-0R0X	MG RESISTOR	0Ω 1/10W J		LC7004	NQR0483-003X	EMI FILTER		
L6508	NRZ0034-0R0W	NET RESISTOR	0Ω 1/32W J x4		LC7501	NQR0483-006X	EMI FILTER		
L6509	NRZ0034-0R0W	NET RESISTOR	0Ω 1/32W J x4		LC7502	NQR0483-006X	EMI FILTER		
L6510	NRZ0034-0R0W	NET RESISTOR	0Ω 1/32W J x4		SL7001	NAX0613-001X	C RESONATOR		
L7001	NRSA63J-0R0X	MG RESISTOR	0Ω 1/16W J		TP9001	LC42312-001A	EARTH TERMINAL		
L7002	NRSA63J-0R0X	MG RESISTOR	0Ω 1/16W J		TP9002	LC42312-001A	EARTH TERMINAL		
L7003	NRSA63J-0R0X	MG RESISTOR	0Ω 1/16W J		TP9003	LC42312-001A	EARTH TERMINAL		
L7004	NRSA63J-0R0X	MG RESISTOR	0Ω 1/16W J		X1001	NAX0642-001X	CRYSTAL		
L7005	NRSA63J-0R0X	MG RESISTOR	0Ω 1/16W J		X3001	NAX0635-001X	CXO		
L7006	NRSA63J-0R0X	MG RESISTOR	0Ω 1/16W J		X3003	NAX0668-001X	CXO		
L7510	NQL092K-4R7X	P COIL	4.7uH K		X4001	NAX0669-001X	C RESONATOR		
L7512	NQR0489-002X	FERRITE BEADS			X7501	NAX0618-001X	CRYSTAL		
L7513	NQR0489-002X	FERRITE BEADS							
L9001	NRSA02J-0R0X	MG RESISTOR	0Ω 1/10W J						
L9002	NRSA02J-0R0X	MG RESISTOR	0Ω 1/10W J						
L9201	NQL71EM-150X	COIL	15uH M						
CN001	QGF0508F1-50X	CONNECTOR	FFC/FPC (1-50)						
CN002	QGF0508F1-30X	CONNECTOR	FFC/FPC (1-30)						

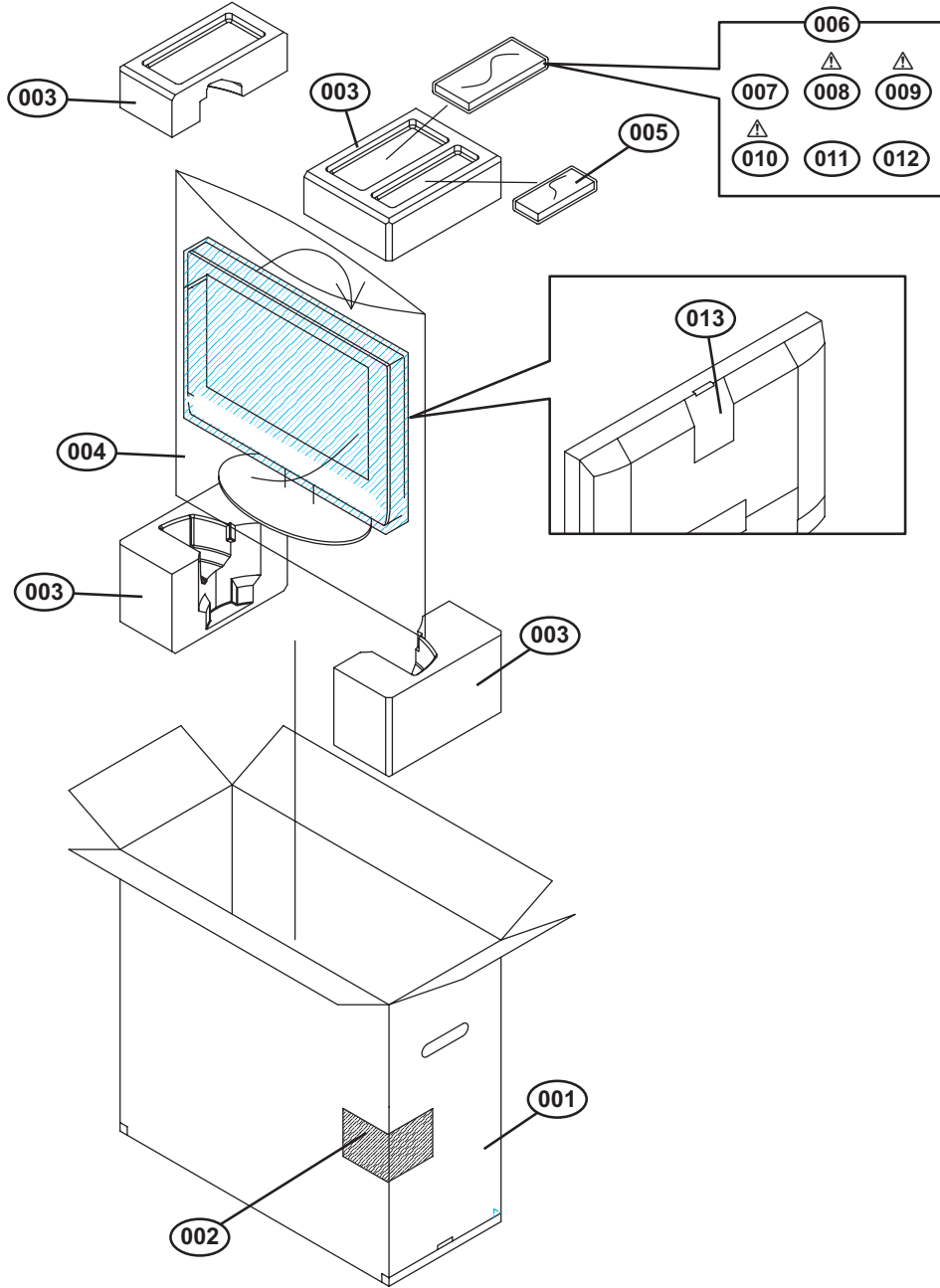
RECEIVER P.W. BOARD ASS'Y (SFL0F204A-U2)

REFER TO PARTS LIST IN PAGE 3-20 FOR THIS P.W. BOARD.

REMOTE CONTROL UNIT PARTS LIST (RM-C1811H-1C)

△ Ref.No.	Part No.	Part Name	Description	Local
	2AA070311	BATTERY COVER		

PACKING



PACKING PARTS LIST

△ Ref.No.	Part No.	Part Name	Description	Local
001	GA10002-070A-U	PACKING CASE		
002	GA10027-020A-U	EURO LABEL		LT-37S60BU
002	GA10027-018A-U	EURO LABEL		LT-37S60BU/P
003	GA10133-001A-U	CUSHION ASSY	4pcs in 1set	
004	GA10026-003A-U	FORM BAG		
005	RM-C1811H-1C	REMOCON UNIT	Inc.POLY BAG	
006	GA30007-001A-U	DOCUMENT BAGS	(x2)	
007	-----	WARRANTY CARD	BT-54027-1E	
△ 008	LCT1848-001B-U	INST BOOK	English/German/French/Dutch/Spanish/Italian/Portuguese	
△ 009	LCT1849-001B-U	INST BOOK	Norwegian/Finn/Danish/Swedish	
△ 010	LCT1850-001B-U	INST BOOK	Russian/Polish/Czech/Hungarian/Romanian/Bulgarian	
011	-----	BATTERY	R6P/AA(x2)	
012	LCT1923-002A-U	SHEET(WEEE)-E		
013	LCT1504-001A-U	CAUTION SHEET		