

PARTS LIST

CAUTION

- The parts identified by the Δ symbol are important for the safety . Whenever replacing these parts, be sure to use specified ones to secure the safety.
- The parts not indicated in this Parts List and those which are filled with lines --- in the Parts No. columns will not be supplied.
- P.W. BOARD Ass'y will not be supplied, but those which are filled with the Parts No. in the Parts No. columns will be supplied.

ABBREVIATIONS OF RESISTORS, CAPACITORS AND TOLERANCES

RESISTORS		CAPACITORS	
CR	Carbon Resistor	C CAP.	Ceramic Capacitor
FR	Fusible Resistor	E CAP.	Electrolytic Capacitor
PR	Plate Resistor	M CAP.	Mylar Capacitor
VR	Variable Resistor	CH CAP.	Chip Capacitor
HV R	High Voltage Resistor	HV CAP.	High Voltage Capacitor
MF R	Metal Film Resistor	MF CAP.	Metalized Film Capacitor
MG R	Metal Glazed Resistor	MM CAP.	Metalized Mylar Capacitor
MP R	Metal Plate Resistor	MP CAP.	Metalized Polystyrol Capacitor
OM R	Metal Oxide Film Resistor	PP CAP.	Polypropylene Capacitor
CMF R	Coating Metal Film Resistor	PS CAP.	Polystyrol Capacitor
UNF R	Non-Flammable Resistor	TF CAP.	Thin Film Capacitor
CH V R	Chip Variable Resistor	MPP CAP.	Metalized Polypropylene Capacitor
CH MG R	Chip Metal Glazed Resistor	TAN. CAP.	Tantalum Capacitor
COMP. R	Composition Resistor	CH C CAP.	Chip Ceramic Capacitor
LPTC R	Linear Positive Temperature Coefficient Resistor	BP E CAP.	Bi-Polar Electrolytic Capacitor
		CH AL E CAP.	Chip Aluminum Electrolytic Capacitor
		CH AL BP CAP.	Chip Aluminum Bi-Polar Capacitor
		CH TAN. E CAP.	Chip Tantalum Electrolytic Capacitor
		CH AL BP E CAP.	Chip Tantalum Bi-Polar Electrolytic Capacitor

RESISTORS									
F	G	J	K	M	N	R	H	Z	P
±1%	±2%	±5%	±10%	±20%	±30%	+30% -10%	+50% -10%	+80% -20%	+100% -0%

CONTENTS

USING P.W. BOARD & REMOTE CONTROL UNIT	3-2
EXPLODED VIEW PARTS LIST	3-3
EXPLODED VIEW	3-4
PRINTED WIRING BOARD PARTS LIST	3-5
MAIN P.W. BOARD ASS'Y (VE-20284864)	3-5
AV JACK P.W. BOARD ASS'Y (VE-20276050)	3-11
SIDE CONTROL P.W. BOARD ASS'Y (VE-20281990)	3-11
LED P.W. BOARD ASS'Y (VE-20275736)	3-11
AMPLIFIER P.W. BOARD ASS'Y (VE-20279752)	3-11
POWER P.W. BOARD ASS'Y (VE-20237242)	3-12
NOISE FILTER P.W. BOARD ASS'Y (VE-20265741)	3-13
PACKING	3-14
PACKING PARTS LIST	3-14

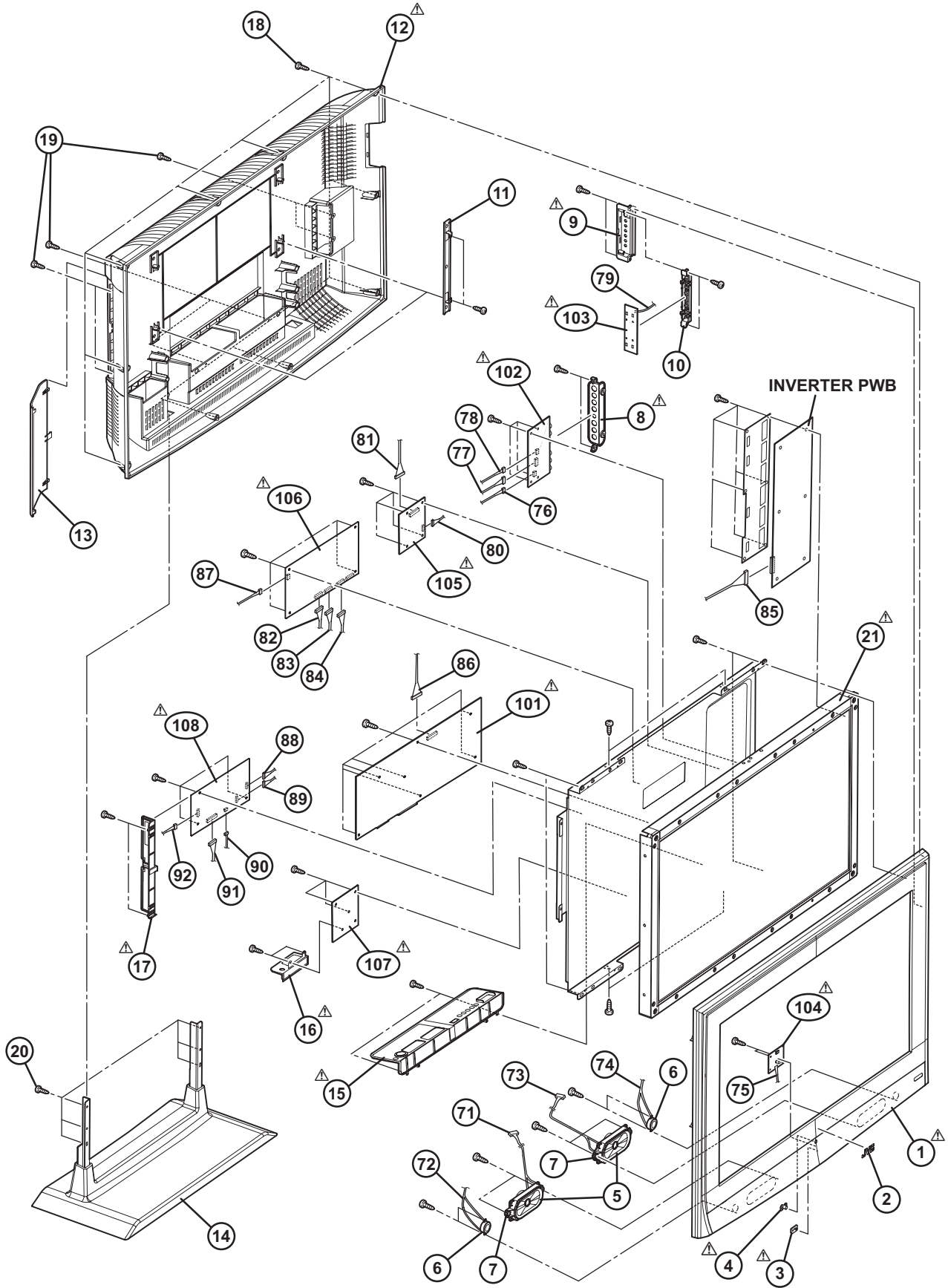
USING P.W. BOARD & REMOTE CONTROL UNIT

P.W.B ASS'Y name	P.W.B ASS'Y No.	
	LT-32DF7BC	LT-32DF7BK
MAIN P.W.B	VE-20284864	←
AV JACK P.W.B	VE-20276050	←
SIDE CONTROL P.W.B	VE-20281990	←
LED P.W.B	VE-20275736	←
AMPLIFIER P.W.B	VE-20279752	←
POWER P.W.B	VE-20237242	←
NOISE FILTER P.W.B	VE-20265741	←
REMOTE CONTROL UNIT	VE-30044649	VE-30034033

EXPLODED VIEW PARTS LIST

△ Ref.No.	Part No.	Part Name	Description	Local
△ 1	VE-20284860	FRONT PANEL		
2	VE-40028974	LOGO JVC		
△ 3	VE-20273439	LED LENS		
△ 4	VE-20182772	IR LENS		
5	VE-30043493	MAIN SPEAKER	8ohm 12W 5.1x12.7cm(x2)	
6	VE-30026617	TWEETER	8ohm 10W 1.2cm(x2)	
7	VE-40024101	RUBBER BUSH	(x4)	
△ 8	VE-20219209	AV JACK BRACKET		
△ 9	VE-20247574	FUNCTION BUTTON BRACKET		
10	VE-20284863	FUNCTION BUTTON		
11	VE-35015912	HANGER WALL METAL	(x2)	
△ 12	VE-20284807	BACK COVER		
13	VE-20283644	CI COVER		
14	VE-20284814	FOOT ASSEMBLY		
△ 15	VE-20240066	SOCKET COVER BRACKET		
△ 16	VE-20238012	POWER INLET BRACKET		
△ 17	VE-20267847	CI BRACKET		
18	VE-35008088	SCREW	M4x16 For BACK COVER(x10)	
19	VE-35008081	SCREW	M3x9.5 For BACK COVER(x6)	
20	VE-35003339	SCREW	M4x12 For FOOT ASSEMBLY(x6)	
△ 21	VE-30051564	LCD PANEL UNIT	TFT 32inch 16:9	
71	VE-30042222	E-HARNESS ASSY	AMP PL705 - MAIN SPEAKER LEFT	
72	VE-30022542	E-HARNESS ASSY	MAIN SPEAKER LEFT - TWEETER LEFT	
73	VE-30042853	E-HARNESS ASSY	AMP PL706 - MAIN SPEAKER RIGHT	
74	VE-30022542	E-HARNESS ASSY	MAIN SPEAKER RIGHT - TWEETER RIGHT	
75	VE-30040239	E-HARNESS ASSY	MAIN PL600 - LED	
76	VE-30028942	E-HARNESS ASSY	DIGITAL TUNER PL204 - AV JACK PL105	
77	VE-30042254	E-HARNESS ASSY	MAIN PL201 - AV JACK PL100	
78	VE-30042299	E-HARNESS ASSY	MAIN PL1002 - AV JACK PL102	
79	VE-30014654	E-HARNESS ASSY	MAIN PL606 - SIDE CONTROL	
80	VE-30048985	E-HARNESS ASSY	AMP PL707 - POWER PL801	
81	VE-30050442	E-HARNESS ASSY	MAIN PL1001 - AMP PL709	
82	VE-30042842	E-HARNESS ASSY	MAIN PL902 - POWER PL806	
83	VE-30032214	E-HARNESS ASSY	MAIN PL900 - POWER PL805	
84	VE-30028117	E-HARNESS ASSY	MAIN PL901 - POWER PL803	
85	VE-30046361	E-HARNESS ASSY	POWER PL802 - INVERTER UNIT	
86	VE-30044576	E-HARNESS ASSY	MAIN PL103 - LCD PANEL UNIT	
87	VE-30042711	E-HARNESS ASSY	POWER PL808 - NOISE FILTER PL101	
88	VE-30042558	E-HARNESS ASSY	MAIN PL605 - DIGITAL TUNER PL201	
89	VE-30044301	E-HARNESS ASSY	MAIN PL104 - DIGITAL TUNER PL203	
90	VE-30042557	E-HARNESS ASSY	MAIN PL1003 - DIGITAL TUNER PL202	
91	VE-30042629	E-HARNESS ASSY	POWER PL807 - DIGITAL TUNER PL106	
92	VE-30048159	E-HARNESS ASSY	MAIN PL308 - DIGITAL TUNER PL101	
△ 101	VE-20284864	MAIN PWB		
△ 102	VE-20276050	AV JACK PWB		
△ 103	VE-20281990	SIDE CONTROL PWB		
△ 104	VE-20275736	LED PWB		
△ 105	VE-20279752	AMPLIFIER PWB		
△ 106	VE-20237242	POWER PWB		
△ 107	VE-20265741	NOISE FILTER PWB		
△ 108	VE-30049956	DIGITAL TUNER PWB		LT-32DF7BC
△ 108	VE-30049951	DIGITAL TUNER PWB		LT-32DF7BK

EXPLODED VIEW



△Ref No.	Part No.	Part Name	Description	Local	△Ref No.	Part No.	Part Name	Description	Local
C302	VE-30016654	CAPACITOR	100nF	16V K	C452	VE-30016654	CAPACITOR	100nF	16V K
C304	VE-30012569	CAPACITOR	33pF	50V J	C454	VE-30016654	CAPACITOR	100nF	16V K
C305	VE-30012572	CAPACITOR	390pF	50V J	C455	VE-30016654	CAPACITOR	100nF	16V K
C306	VE-30012606	CAPACITOR	47nF	25V K	C456	VE-30016654	CAPACITOR	100nF	16V K
C316	VE-30000345	E CAPACITOR	10uF	50V M	C457	VE-30016654	CAPACITOR	100nF	16V K
C317	VE-30000345	E CAPACITOR	10uF	50V M	C458	VE-30015407	E CAPACITOR	10uF	16V
C318	VE-30016126	CAPACITOR	220nF	16V K	C459	VE-30015407	E CAPACITOR	10uF	16V
C319	VE-30012583	CAPACITOR	1.5nF	50V K	C460	VE-30016654	CAPACITOR	100nF	16V K
C320	VE-30012572	CAPACITOR	390pF	50V J	C462	VE-30016654	CAPACITOR	100nF	16V K
C321	VE-30000068	CAPACITOR	1nF	63V K	C463	VE-30016654	CAPACITOR	100nF	16V K
C322	VE-30000109	CAPACITOR	470nF	63V J	C465	VE-30016654	CAPACITOR	100nF	16V K
C323	VE-30012606	CAPACITOR	47nF	25V K	C466	VE-30016654	CAPACITOR	100nF	16V K
C327	VE-30016126	CAPACITOR	220nF	16V K	C467	VE-30016654	CAPACITOR	100nF	16V K
C328	VE-30016126	CAPACITOR	220nF	16V K	C468	VE-30015407	E CAPACITOR	10uF	16V
C329	VE-30016126	CAPACITOR	220nF	16V K	C469	VE-30015407	E CAPACITOR	10uF	16V
C330	VE-30012613	CAPACITOR	3.3pF	50V C	C500	VE-30012582	CAPACITOR	10nF	50V K
C331	VE-30000345	E CAPACITOR	10uF	50V M	C501	VE-30029261	E CAPACITOR	1uF	50V M
C332	VE-30012613	CAPACITOR	3.3pF	50V C	C502	VE-30029261	E CAPACITOR	1uF	50V M
C333	VE-30012581	CAPACITOR	1nF	50V K	C503	VE-30016654	CAPACITOR	100nF	16V K
C334	VE-30012568	CAPACITOR	270pF	50V J	C504	VE-30016654	CAPACITOR	100nF	16V K
C335	VE-30012574	CAPACITOR	470pF	50V J	C505	VE-30010594	E CAPACITOR	100uF	16V M
C336	VE-30016654	CAPACITOR	100nF	16V K	C506	VE-30012589	CAPACITOR	4.7nF	50V K
C337	VE-30012572	CAPACITOR	390pF	50V J	C507	VE-30012589	CAPACITOR	4.7nF	50V K
C338	VE-30012583	CAPACITOR	1.5nF	50V K	C508	VE-30012582	CAPACITOR	10nF	50V K
C339	VE-30016126	CAPACITOR	220nF	16V K	C509	VE-30012582	CAPACITOR	10nF	50V K
C340	VE-30012606	CAPACITOR	47nF	25V K	C510	VE-30012582	CAPACITOR	10nF	50V K
C341	VE-30012583	CAPACITOR	1.5nF	50V K	C511	VE-30012582	CAPACITOR	10nF	50V K
C342	VE-30016126	CAPACITOR	220nF	16V K	C512	VE-30012582	CAPACITOR	10nF	50V K
C343	VE-30012606	CAPACITOR	47nF	25V K	C513	VE-30012582	CAPACITOR	10nF	50V K
C344	VE-30016654	CAPACITOR	100nF	16V K	C514	VE-30012582	CAPACITOR	10nF	50V K
C345	VE-30012583	CAPACITOR	1.5nF	50V K	C515	VE-30016654	CAPACITOR	100nF	16V K
C346	VE-30016654	CAPACITOR	100nF	16V K	C516	VE-30010594	E CAPACITOR	100uF	16V M
C347	VE-30012606	CAPACITOR	47nF	25V K	C517	VE-30012577	CAPACITOR	560pF	50V J
C348	VE-30016126	CAPACITOR	220nF	16V K	C518	VE-30012577	CAPACITOR	560pF	50V J
C349	VE-30012583	CAPACITOR	1.5nF	50V K	C519	VE-30012582	CAPACITOR	10nF	50V K
C350	VE-30000352	E CAPACITOR	100uF	16V M	C520	VE-30012582	CAPACITOR	10nF	50V K
C357	VE-30012713	RESISTOR	1/16W	75R J	C521	VE-30012589	CAPACITOR	4.7nF	50V K
C358	VE-30012713	RESISTOR	1/16W	75R J	C522	VE-30012589	CAPACITOR	4.7nF	50V K
C359	VE-30012574	CAPACITOR	470pF	50V J	C523	VE-30012589	CAPACITOR	4.7nF	50V K
C360	VE-30012574	CAPACITOR	470pF	50V J	C524	VE-30012589	CAPACITOR	4.7nF	50V K
C361	VE-30012581	CAPACITOR	1nF	50V K	C525	VE-30012589	CAPACITOR	4.7nF	50V K
C362	VE-30016654	CAPACITOR	100nF	16V K	C526	VE-30016654	CAPACITOR	100nF	16V K
C363	VE-30020694	CAPACITOR	1uF	16V Z	C527	VE-30016654	CAPACITOR	100nF	16V K
C400	VE-30016654	CAPACITOR	100nF	16V K	C528	VE-30016654	CAPACITOR	100nF	16V K
C401	VE-30016654	CAPACITOR	100nF	16V K	C529	VE-30016654	CAPACITOR	100nF	16V K
C403	VE-30016654	CAPACITOR	100nF	16V K	C530	VE-30016654	CAPACITOR	100nF	16V K
C404	VE-30016654	CAPACITOR	100nF	16V K	C531	VE-30016654	CAPACITOR	100nF	16V K
C405	VE-30016654	CAPACITOR	100nF	16V K	C532	VE-30016654	CAPACITOR	100nF	16V K
C406	VE-30016654	CAPACITOR	100nF	16V K	C600	VE-30016654	CAPACITOR	100nF	16V K
C407	VE-30016654	CAPACITOR	100nF	16V K	C604	VE-30016654	CAPACITOR	100nF	16V K
C408	VE-30016654	CAPACITOR	100nF	16V K	C605	VE-30016654	CAPACITOR	100nF	16V K
C409	VE-30016654	CAPACITOR	100nF	16V K	C606	VE-30016654	CAPACITOR	100nF	16V K
C411	VE-30016654	CAPACITOR	100nF	16V K	C607	VE-30000371	E CAPACITOR	22uF	50V M
C413	VE-30016654	CAPACITOR	100nF	16V K	C608	VE-30016654	CAPACITOR	100nF	16V K
C414	VE-30013406	CAPACITOR	20pF	50V J	C609	VE-30016654	CAPACITOR	100nF	16V K
C415	VE-30013406	CAPACITOR	20pF	50V J	C611	VE-30000371	E CAPACITOR	22uF	50V M
C417	VE-30000345	E CAPACITOR	10uF	50V M	C612	VE-30016654	CAPACITOR	100nF	16V K
C418	VE-30016654	CAPACITOR	100nF	16V K	C613	VE-30016654	CAPACITOR	100nF	16V K
C419	VE-30016654	CAPACITOR	100nF	16V K	C620	VE-30000371	E CAPACITOR	22uF	50V M
C420	VE-30016654	CAPACITOR	100nF	16V K	C621	VE-30016654	CAPACITOR	100nF	16V K
C421	VE-30016654	CAPACITOR	100nF	16V K	C622	VE-30016654	CAPACITOR	100nF	16V K
C422	VE-30016654	CAPACITOR	100nF	16V K	C623	VE-30016654	CAPACITOR	100nF	16V K
C423	VE-30015407	E CAPACITOR	10uF	16V	C624	VE-30012569	CAPACITOR	33pF	50V J
C424	VE-30012577	CAPACITOR	560pF	50V J	C625	VE-30016654	CAPACITOR	100nF	16V K
C425	VE-30016654	CAPACITOR	100nF	16V K	C626	VE-30016654	CAPACITOR	100nF	16V K
C426	VE-30016654	CAPACITOR	100nF	16V K	C627	VE-30012569	CAPACITOR	33pF	50V J
C427	VE-30016654	CAPACITOR	100nF	16V K	C628	VE-30016654	CAPACITOR	100nF	16V K
C428	VE-30012583	CAPACITOR	1.5nF	50V K	C630	VE-30016654	CAPACITOR	100nF	16V K
C429	VE-30016654	CAPACITOR	100nF	16V K	C631	VE-30016654	CAPACITOR	100nF	16V K
C430	VE-30016654	CAPACITOR	100nF	16V K	C633	VE-30016654	CAPACITOR	100nF	16V K
C431	VE-30016654	CAPACITOR	100nF	16V K	C635	VE-30016126	CAPACITOR	220nF	16V K
C432	VE-30015407	E CAPACITOR	10uF	16V	C900	VE-30000352	E CAPACITOR	100uF	16V M
C433	VE-30015407	E CAPACITOR	10uF	16V	C901	VE-30000400	E CAPACITOR	47uF	50V M
C434	VE-30016654	CAPACITOR	100nF	16V K	C902	VE-30000400	E CAPACITOR	47uF	50V M
C435	VE-30016654	CAPACITOR	100nF	16V K	C903	VE-30016654	CAPACITOR	100nF	16V K
C436	VE-30016654	CAPACITOR	100nF	16V K	C904	VE-30012577	CAPACITOR	560pF	50V J
C437	VE-30016654	CAPACITOR	100nF	16V K	C905	VE-30000375	E CAPACITOR	220uF	16V M
C438	VE-30012577	CAPACITOR	560pF	50V J	C909	VE-30000400	E CAPACITOR	47uF	50V M
C439	VE-30012577	CAPACITOR	560pF	50V J	C910	VE-30016654	CAPACITOR	100nF	16V K
C440	VE-30016654	CAPACITOR	100nF	16V K	C911	VE-30000359	E CAPACITOR	1000uF	16V M
C442	VE-30016654	CAPACITOR	100nF	16V K	C912	VE-30000359	E CAPACITOR	1000uF	16V M
C443	VE-30015407	E CAPACITOR	10uF	16V	C913	VE-30016654	CAPACITOR	100nF	16V K
C444	VE-30015407	E CAPACITOR	10uF	16V	C919	VE-30000352	E CAPACITOR	100uF	16V M
C445	VE-30015407	E CAPACITOR	10uF	16V	C922	VE-30012577	CAPACITOR	560pF	50V J
C446	VE-30016654	CAPACITOR	100nF	16V K	C924	VE-30016654	CAPACITOR	100nF	16V K
C447	VE-30016654	CAPACITOR	100nF	16V K	C925	VE-30016654	CAPACITOR	100nF	16V K
C448	VE-30016654	CAPACITOR	100nF	16V K	C926	VE-30016654	CAPACITOR	100nF	16V K
C449	VE-30016654	CAPACITOR	100nF	16V K	C927	VE-30000352	E CAPACITOR	100uF	16V M
C450	VE-30016654	CAPACITOR	100nF	16V K	C928	VE-30000352	E CAPACITOR	100uF	16V M
C451	VE-30016654	CAPACITOR	100nF	16V K	C929	VE-30000352	E CAPACITOR	100uF	16V M

△Ref No.	Part No.	Part Name	Description Local	△Ref No.	Part No.	Part Name	Description Local
C930	VE-30000371	E CAPACITOR	22uF 50V M	C1176	VE-30012581	CAPACITOR	1nF 50V K
C932	VE-30016654	CAPACITOR	100nF 16V K	C1177	VE-30012581	CAPACITOR	1nF 50V K
C933	VE-30016654	CAPACITOR	100nF 16V K	C1178	VE-30012581	CAPACITOR	1nF 50V K
C934	VE-30016654	CAPACITOR	100nF 16V K	C1180	VE-30000352	E CAPACITOR	100uF 16V M
C935	VE-30016654	CAPACITOR	100nF 16V K	C1181	VE-30000345	E CAPACITOR	10uF 50V M
C936	VE-30016654	CAPACITOR	100nF 16V K	C1183	VE-30012581	CAPACITOR	1nF 50V K
C937	VE-30016654	CAPACITOR	100nF 16V K	C1185	VE-30012581	CAPACITOR	1nF 50V K
C938	VE-30016654	CAPACITOR	100nF 16V K	C1186	VE-30020694	CAPACITOR	1uF 16V Z
C939	VE-30000352	E CAPACITOR	100uF 16V M	C1187	VE-30012582	CAPACITOR	10nF 50V K
C940	VE-30000352	E CAPACITOR	100uF 16V M	C1188	VE-30016654	CAPACITOR	100nF 16V K
C941	VE-30000352	E CAPACITOR	100uF 16V M	C1196	VE-30016654	CAPACITOR	100nF 16V K
C1000	VE-30012581	CAPACITOR	1nF 50V K	C1197	VE-30000345	E CAPACITOR	10uF 50V M
C1001	VE-30012581	CAPACITOR	1nF 50V K	C1198	VE-30016654	CAPACITOR	100nF 16V K
C1003	VE-30016654	CAPACITOR	100nF 16V K	C1199	VE-30016654	CAPACITOR	100nF 16V K
C1004	VE-30012581	CAPACITOR	1nF 50V K	C1200	VE-30016654	CAPACITOR	100nF 16V K
C1009	VE-30000345	E CAPACITOR	10uF 50V M	C1201	VE-30000345	E CAPACITOR	10uF 50V M
C1010	VE-30000400	E CAPACITOR	47uF 50V M	C1205	VE-30016654	CAPACITOR	100nF 16V K
C1012	VE-30000345	E CAPACITOR	10uF 50V M	C1206	VE-30016654	CAPACITOR	100nF 16V K
C1026	VE-30012582	CAPACITOR	10nF 50V K	C2004	VE-30012574	CAPACITOR	470pF 50V J
C1027	VE-30012572	CAPACITOR	390pF 50V J	C2005	VE-30000371	E CAPACITOR	22uF 50V M
C1030	VE-30000109	CAPACITOR	470nF 63V J	C2007	VE-30000371	E CAPACITOR	22uF 50V M
C1031	VE-30012582	CAPACITOR	10nF 50V K	C2009	VE-30000371	E CAPACITOR	22uF 50V M
C1038	VE-30012566	CAPACITOR	22pF 50V J	C2010	VE-30016654	CAPACITOR	100nF 16V K
C1039	VE-30000109	CAPACITOR	470nF 63V J	C2011	VE-30012581	CAPACITOR	1nF 50V K
C1040	VE-30016126	CAPACITOR	220nF 16V K	C2012	VE-30016126	CAPACITOR	220nF 16V K
C1041	VE-30016654	CAPACITOR	100nF 16V K	C2013	VE-30012581	CAPACITOR	1nF 50V K
C1043	VE-30012583	CAPACITOR	1.5nF 50V K	C2014	VE-30016126	CAPACITOR	220nF 16V K
C1047	VE-30012582	CAPACITOR	10nF 50V K	C2015	VE-30012581	CAPACITOR	1nF 50V K
C1049	VE-30015407	E CAPACITOR	10uF 16V	C2016	VE-30016126	CAPACITOR	220nF 16V K
C1052	VE-30012559	CAPACITOR	10pF 50V D	C2017	VE-30012581	CAPACITOR	1nF 50V K
C1054	VE-30012586	CAPACITOR	22nF 50V K	C2018	VE-30016126	CAPACITOR	220nF 16V K
C1055	VE-30012586	CAPACITOR	22nF 50V K	C2019	VE-30012581	CAPACITOR	1nF 50V K
C1056	VE-30012581	CAPACITOR	1nF 50V K	C2020	VE-30016126	CAPACITOR	220nF 16V K
C1078	VE-30000345	E CAPACITOR	10uF 50V M	C2021	VE-30012581	CAPACITOR	1nF 50V K
C1079	VE-30012583	CAPACITOR	1.5nF 50V K	C2022	VE-30000371	E CAPACITOR	22uF 50V M
C1080	VE-30000352	E CAPACITOR	100uF 16V M	C2023	VE-30012581	CAPACITOR	1nF 50V K
C1081	VE-30012568	CAPACITOR	270pF 50V J	C2024	VE-30000371	E CAPACITOR	22uF 50V M
C1086	VE-30012574	CAPACITOR	470pF 50V J	C2027	VE-30012581	CAPACITOR	1nF 50V K
C1087	VE-30009208	C CAPACITOR	470pF 1KV K	C2028	VE-30016126	CAPACITOR	220nF 16V K
C1097	VE-30012581	CAPACITOR	1nF 50V K	C2029	VE-30012581	CAPACITOR	1nF 50V K
C1106	VE-30012581	CAPACITOR	1nF 50V K	C2030	VE-30016126	CAPACITOR	220nF 16V K
C1112	VE-30012581	CAPACITOR	1nF 50V K	C2031	VE-30016126	CAPACITOR	220nF 16V K
C1113	VE-30016654	CAPACITOR	100nF 16V K	C2032	VE-30012581	CAPACITOR	1nF 50V K
C1114	VE-30012581	CAPACITOR	1nF 50V K	C2033	VE-30012581	CAPACITOR	1nF 50V K
C1116	VE-30012581	CAPACITOR	1nF 50V K	C2034	VE-30016126	CAPACITOR	220nF 16V K
C1117	VE-30012581	CAPACITOR	1nF 50V K	C2036	VE-30012581	CAPACITOR	1nF 50V K
C1118	VE-30012581	CAPACITOR	1nF 50V K	C2037	VE-30016126	CAPACITOR	220nF 16V K
C1119	VE-30012581	CAPACITOR	1nF 50V K	C2049	VE-30016654	CAPACITOR	100nF 16V K
C1120	VE-30012565	CAPACITOR	1.8pF 50V J	C2050	VE-30016654	CAPACITOR	100nF 16V K
C1121	VE-30012581	CAPACITOR	1nF 50V K	C2051	VE-30016654	CAPACITOR	100nF 16V K
C1122	VE-30012565	CAPACITOR	1.8pF 50V J	C2052	VE-30016654	CAPACITOR	100nF 16V K
C1123	VE-30012576	CAPACITOR	56pF 50V J	C2053	VE-30016654	CAPACITOR	100nF 16V K
C1124	VE-30000371	E CAPACITOR	22uF 50V M	C2054	VE-30016654	CAPACITOR	100nF 16V K
C1125	VE-30012576	CAPACITOR	56pF 50V J	C2055	VE-30015407	E CAPACITOR	10uF 16V
C1126	VE-30012581	CAPACITOR	1nF 50V K	C2056	VE-30016654	CAPACITOR	100nF 16V K
C1128	VE-30012576	CAPACITOR	56pF 50V J	C2057	VE-30016654	CAPACITOR	100nF 16V K
C1132	VE-30000371	E CAPACITOR	22uF 50V M	C2058	VE-30012581	CAPACITOR	1nF 50V K
C1133	VE-30012581	CAPACITOR	1nF 50V K	C2059	VE-30012581	CAPACITOR	1nF 50V K
C1134	VE-30000345	E CAPACITOR	10uF 50V M	C2060	VE-30012582	CAPACITOR	10nF 50V K
C1136	VE-30012574	CAPACITOR	470pF 50V J	C2061	VE-30015407	E CAPACITOR	10uF 16V
C1137	VE-30012574	CAPACITOR	470pF 50V J	C2062	VE-30012581	CAPACITOR	1nF 50V K
C1138	VE-30016126	CAPACITOR	220nF 16V K	C2063	VE-30016654	CAPACITOR	100nF 16V K
C1140	VE-30016126	CAPACITOR	220nF 16V K	C2064	VE-30000345	E CAPACITOR	10uF 50V M
C1144	VE-30012583	CAPACITOR	1.5nF 50V K	C2065	VE-30016654	CAPACITOR	100nF 16V K
C1145	VE-30000393	E CAPACITOR	3.3uF 50V M	C2066	VE-30012606	CAPACITOR	47nF 25V K
C1147	VE-30016126	CAPACITOR	220nF 16V K	C2067	VE-30000345	E CAPACITOR	10uF 50V M
C1148	VE-30016126	CAPACITOR	220nF 16V K	C2068	VE-30016654	CAPACITOR	100nF 16V K
C1149	VE-30016654	CAPACITOR	100nF 16V K	C2069	VE-30000345	E CAPACITOR	10uF 50V M
C1150	VE-30012583	CAPACITOR	1.5nF 50V K	C2070	VE-30016654	CAPACITOR	100nF 16V K
C1151	VE-30000352	E CAPACITOR	100uF 16V M	C2071	VE-30012581	CAPACITOR	1nF 50V K
C1152	VE-30000345	E CAPACITOR	10uF 50V M	C2072	VE-30016654	CAPACITOR	100nF 16V K
C1153	VE-30012581	CAPACITOR	1nF 50V K	C2073	VE-30016654	CAPACITOR	100nF 16V K
C1154	VE-30000345	E CAPACITOR	10uF 50V M	C2074	VE-30015407	E CAPACITOR	10uF 16V
C1156	VE-30016126	CAPACITOR	220nF 16V K	C2075	VE-30016654	CAPACITOR	100nF 16V K
C1157	VE-30016126	CAPACITOR	220nF 16V K	C2076	VE-30016654	CAPACITOR	100nF 16V K
C1158	VE-30016126	CAPACITOR	220nF 16V K	C2077	VE-30012581	CAPACITOR	1nF 50V K
C1159	VE-30000345	E CAPACITOR	10uF 50V M	C2078	VE-30015407	E CAPACITOR	10uF 16V
C1162	VE-30000074	CAPACITOR	100nF 63V J	C2079	VE-30016654	CAPACITOR	100nF 16V K
C1163	VE-30012581	CAPACITOR	1nF 50V K	C2080	VE-30016654	CAPACITOR	100nF 16V K
C1164	VE-30016126	CAPACITOR	220nF 16V K	C2081	VE-30012581	CAPACITOR	1nF 50V K
C1165	VE-30000345	E CAPACITOR	10uF 50V M	C2082	VE-30012581	CAPACITOR	1nF 50V K
C1166	VE-30016654	CAPACITOR	100nF 16V K	C2083	VE-30015407	E CAPACITOR	10uF 16V
C1167	VE-30000352	E CAPACITOR	100uF 16V M	C2084	VE-30016654	CAPACITOR	100nF 16V K
C1168	VE-30012581	CAPACITOR	1nF 50V K	C2085	VE-30016654	CAPACITOR	100nF 16V K
C1169	VE-30000345	E CAPACITOR	10uF 50V M	C2086	VE-30012581	CAPACITOR	1nF 50V K
C1170	VE-30012581	CAPACITOR	1nF 50V K	C2087	VE-30012581	CAPACITOR	1nF 50V K
C1171	VE-30012581	CAPACITOR	1nF 50V K	C2088	VE-30000393	E CAPACITOR	3.3uF 50V M
C1172	VE-30000352	E CAPACITOR	100uF 16V M	C2092	VE-30000345	E CAPACITOR	10uF 50V M
C1174	VE-30012581	CAPACITOR	1nF 50V K	C2094	VE-30016654	CAPACITOR	100nF 16V K
C1175	VE-30012581	CAPACITOR	1nF 50V K	C2095	VE-30000345	E CAPACITOR	10uF 50V M

△Ref No.	Part No.	Part Name	Description	Local	△Ref No.	Part No.	Part Name	Description	Local
C2096	VE-30000393	E CAPACITOR	3.3uF 50V M		R217	VE-30012641	RESISTOR	1/16W 10K J	
C2099	VE-30016654	CAPACITOR	100nF 16V K		R218	VE-30012510	RESISTOR	1/16W 100R J	
C2101	VE-30000345	E CAPACITOR	10uF 50V M		R219	VE-30012510	RESISTOR	1/16W 100R J	
C2103	VE-30000345	E CAPACITOR	10uF 50V M		R220	VE-30012641	RESISTOR	1/16W 10K J	
C2104	VE-30016654	CAPACITOR	100nF 16V K		R221	VE-30012641	RESISTOR	1/16W 10K J	
C2201	VE-30000400	E CAPACITOR	47uF 50V M		R222	VE-30012641	RESISTOR	1/16W 10K J	
C2202	VE-30000352	E CAPACITOR	100uF 16V M		R223	VE-30012641	RESISTOR	1/16W 10K J	
C2203	VE-30016654	CAPACITOR	100nF 16V K		R224	VE-30012641	RESISTOR	1/16W 10K J	
C2204	VE-30016654	CAPACITOR	100nF 16V K		R225	VE-30012641	RESISTOR	1/16W 10K J	
C2205	VE-30016654	CAPACITOR	100nF 16V K		R226	VE-30012510	RESISTOR	1/16W 100R J	
C2206	VE-30016654	CAPACITOR	100nF 16V K		R227	VE-30012510	RESISTOR	1/16W 100R J	
C2207	VE-30016654	CAPACITOR	100nF 16V K		R229	VE-30014076	RESISTOR	1/16W 4.7R J	
C2208	VE-30016654	CAPACITOR	100nF 16V K		R230	VE-30012510	RESISTOR	1/16W 100R J	
C2209	VE-30016654	CAPACITOR	100nF 16V K		R232	VE-30012713	RESISTOR	1/16W 75R J	
C2210	VE-30016654	CAPACITOR	100nF 16V K		R235	VE-30012982	RESISTOR	1/16W 10R J	
C2211	VE-30016654	CAPACITOR	100nF 16V K		R237	VE-30012713	RESISTOR	1/16W 75R J	
C2212	VE-30016654	CAPACITOR	100nF 16V K		R238	VE-30014078	RESISTOR	1/16W 22R J	
C2213	VE-30016654	CAPACITOR	100nF 16V K		R240	VE-30012713	RESISTOR	1/16W 75R J	
C2214	VE-30016654	CAPACITOR	100nF 16V K		R244	VE-30012510	RESISTOR	1/16W 100R J	
C2215	VE-30016654	CAPACITOR	100nF 16V K		R246	VE-30012692	RESISTOR	1/16W 4.7K J	
C2216	VE-30016654	CAPACITOR	100nF 16V K		R248	VE-30012692	RESISTOR	1/16W 4.7K J	
C2217	VE-30016654	CAPACITOR	100nF 16V K		R249	VE-30012684	RESISTOR	1/16W 330R J	
C2218	VE-30016654	CAPACITOR	100nF 16V K		R252	VE-30012684	RESISTOR	1/16W 330R J	
C2219	VE-30016654	CAPACITOR	100nF 16V K		R253	VE-30012684	RESISTOR	1/16W 330R J	
C2220	VE-30016654	CAPACITOR	100nF 16V K		R254	VE-30012684	RESISTOR	1/16W 330R J	
C2221	VE-30016654	CAPACITOR	100nF 16V K		R257	VE-30012692	RESISTOR	1/16W 4.7K J	
C2222	VE-30016654	CAPACITOR	100nF 16V K		R258	VE-30012692	RESISTOR	1/16W 4.7K J	
C2223	VE-30016654	CAPACITOR	100nF 16V K		R259	VE-30012692	RESISTOR	1/16W 4.7K J	
C2224	VE-30016654	CAPACITOR	100nF 16V K		R260	VE-30012713	RESISTOR	1/16W 75R J	
C2225	VE-30016654	CAPACITOR	100nF 16V K		R261	VE-30012713	RESISTOR	1/16W 75R J	
C2226	VE-30016654	CAPACITOR	100nF 16V K		R265	VE-30012692	RESISTOR	1/16W 4.7K J	
C2227	VE-30016654	CAPACITOR	100nF 16V K		R266	VE-30012641	RESISTOR	1/16W 10K J	
C2228	VE-30016654	CAPACITOR	100nF 16V K		R267	VE-30012641	RESISTOR	1/16W 10K J	
C2229	VE-30016654	CAPACITOR	100nF 16V K		R268	VE-30012696	RESISTOR	1/16W 47K J	
C2230	VE-30016654	CAPACITOR	100nF 16V K		R269	VE-30012692	RESISTOR	1/16W 4.7K J	
C2231	VE-30016654	CAPACITOR	100nF 16V K		R270	VE-30012510	RESISTOR	1/16W 100R J	
C2232	VE-30016654	CAPACITOR	100nF 16V K		R273	VE-30012692	RESISTOR	1/16W 4.7K J	
C2233	VE-30016654	CAPACITOR	100nF 16V K		R274	VE-30012657	RESISTOR	1/16W 1K J	
C2234	VE-30016654	CAPACITOR	100nF 16V K		R276	VE-30012713	RESISTOR	1/16W 75R J	
C2235	VE-30016654	CAPACITOR	100nF 16V K		R279	VE-30014420	RESISTOR	1/16W 10K F	
C2236	VE-30016654	CAPACITOR	100nF 16V K		R280	VE-30012648	RESISTOR	1/16W 150K J	
C2237	VE-30016654	CAPACITOR	100nF 16V K		R281	VE-30014420	RESISTOR	1/16W 10K F	
C2238	VE-30016654	CAPACITOR	100nF 16V K		R282	VE-30014420	RESISTOR	1/16W 10K F	
C2239	VE-30016654	CAPACITOR	100nF 16V K		R283	VE-30012650	RESISTOR	1/16W 15K J	
C2240	VE-30016654	CAPACITOR	100nF 16V K		R284	VE-30014420	RESISTOR	1/16W 10K F	
C2241	VE-30016654	CAPACITOR	100nF 16V K		R285	VE-30012713	RESISTOR	1/16W 75R J	
C2242	VE-30016654	CAPACITOR	100nF 16V K		R286	VE-30012713	RESISTOR	1/16W 75R J	
C2250	VE-30016654	CAPACITOR	100nF 16V K		R287	VE-30012713	RESISTOR	1/16W 75R J	
C2251	VE-30016654	CAPACITOR	100nF 16V K		R288	VE-30012713	RESISTOR	1/16W 75R J	
C2252	VE-30016654	CAPACITOR	100nF 16V K		R289	VE-30012713	RESISTOR	1/16W 75R J	
C2253	VE-30016654	CAPACITOR	100nF 16V K		R290	VE-30012713	RESISTOR	1/16W 75R J	
C2254	VE-30016654	CAPACITOR	100nF 16V K		R305	VE-30012713	RESISTOR	1/16W 75R J	
C2400	VE-30016654	CAPACITOR	100nF 16V K		R306	VE-30012713	RESISTOR	1/16W 75R J	
C2401	VE-30016654	CAPACITOR	100nF 16V K		R309	VE-30012713	RESISTOR	1/16W 75R J	
C2402	VE-30016654	CAPACITOR	100nF 16V K		R310	VE-30012713	RESISTOR	1/16W 75R J	
C2403	VE-30016654	CAPACITOR	100nF 16V K		R311	VE-30012713	RESISTOR	1/16W 75R J	
C2404	VE-30000345	E CAPACITOR	10uF 50V M		R312	VE-30012509	RESISTOR	1/16W 100K J	
C2405	VE-30016654	CAPACITOR	100nF 16V K		R313	VE-30012509	RESISTOR	1/16W 100K J	
C2406	VE-30016654	CAPACITOR	100nF 16V K		R315	VE-30012641	RESISTOR	1/16W 10K J	
C3000	VE-30016654	CAPACITOR	100nF 16V K		R316	VE-30014078	RESISTOR	1/16W 22R J	
C3001	VE-30000352	E CAPACITOR	100uF 16V M		R317	VE-30014078	RESISTOR	1/16W 22R J	
C3002	VE-30016654	CAPACITOR	100nF 16V K		R318	VE-30012510	RESISTOR	1/16W 100R J	
C3003	VE-30016654	CAPACITOR	100nF 16V K		R319	VE-30012510	RESISTOR	1/16W 100R J	
C3004	VE-30000352	E CAPACITOR	100uF 16V M		R320	VE-30012510	RESISTOR	1/16W 100R J	
C3005	VE-30016654	CAPACITOR	100nF 16V K		R322	VE-30018373	RESISTOR ARRAY	1/16W 33R J	
C3006	VE-30000352	E CAPACITOR	100uF 16V M		R323	VE-30018373	RESISTOR ARRAY	1/16W 33R J	
C3007	VE-30016654	CAPACITOR	100nF 16V K		R326	VE-30013001	RESISTOR	1/16W 1K F	
C3008	VE-30016654	CAPACITOR	100nF 16V K		R331	VE-30012713	RESISTOR	1/16W 75R J	
C3009	VE-30000352	E CAPACITOR	100uF 16V M		R400	VE-30012649	RESISTOR	1/16W 150R J	
R100	VE-30012692	RESISTOR	1/16W 4.7K J		R401	VE-30012684	RESISTOR	1/16W 330R J	
R101	VE-30012692	RESISTOR	1/16W 4.7K J		R403	VE-30012692	RESISTOR	1/16W 4.7K J	
R102	VE-30012692	RESISTOR	1/16W 4.7K J		R404	VE-30012692	RESISTOR	1/16W 4.7K J	
R200	VE-30012657	RESISTOR	1/16W 1K J		R405	VE-30012692	RESISTOR	1/16W 4.7K J	
R201	VE-30012713	RESISTOR	1/16W 75R J		R406	VE-30012692	RESISTOR	1/16W 4.7K J	
R202	VE-30012713	RESISTOR	1/16W 75R J		R407	VE-30012692	RESISTOR	1/16W 4.7K J	
R203	VE-30012713	RESISTOR	1/16W 75R J		R408	VE-30012692	RESISTOR	1/16W 4.7K J	
R204	VE-30012713	RESISTOR	1/16W 75R J		R415	VE-30012504	RESISTOR	1/16W 1.2K J	
R205	VE-30012713	RESISTOR	1/16W 75R J		R416	VE-30012504	RESISTOR	1/16W 1.2K J	
R206	VE-30012510	RESISTOR	1/16W 100R J		R417	VE-30012692	RESISTOR	1/16W 4.7K J	
R207	VE-30012510	RESISTOR	1/16W 100R J		R418	VE-30014078	RESISTOR	1/16W 22R J	
R208	VE-30012713	RESISTOR	1/16W 75R J		R419	VE-30014078	RESISTOR	1/16W 22R J	
R209	VE-30012713	RESISTOR	1/16W 75R J		R420	VE-30012692	RESISTOR	1/16W 4.7K J	
R210	VE-30012713	RESISTOR	1/16W 75R J		R422	VE-30012641	RESISTOR	1/16W 10K J	
R211	VE-30012662	RESISTOR	1/16W 2.7K J		R423	VE-30012657	RESISTOR	1/16W 1K J	
R212	VE-30012662	RESISTOR	1/16W 2.7K J		R426	VE-30012657	RESISTOR	1/16W 1K J	
R213	VE-30014078	RESISTOR	1/16W 22R J		R427	VE-30012713	RESISTOR	1/16W 75R J	
R214	VE-30014078	RESISTOR	1/16W 22R J		R429	VE-30014078	RESISTOR	1/16W 22R J	
R215	VE-30014078	RESISTOR	1/16W 22R J		R430	VE-30014078	RESISTOR	1/16W 22R J	
R216	VE-30012641	RESISTOR	1/16W 10K J		R431	VE-30014078	RESISTOR	1/16W 22R J	
					R432	VE-30012641	RESISTOR	1/16W 10K J	

△Ref No.	Part No.	Part Name	Description Local	△Ref No.	Part No.	Part Name	Description Local
R433	VE-30012641	RESISTOR	1/16W 10K J	R1044	VE-30012657	RESISTOR	1/16W 1K J
R435	VE-30014078	RESISTOR	1/16W 22R J	R1046	VE-30012713	RESISTOR	1/16W 75R J
R436	VE-30014078	RESISTOR	1/16W 22R J	R1048	VE-30012650	RESISTOR	1/16W 15K J
R500	VE-30017653	RESISTOR ARRAY	1/16W 47RX4 J	R1049	VE-30012692	RESISTOR	1/16W 4.7K J
R501	VE-30017653	RESISTOR ARRAY	1/16W 47RX4 J	R1050	VE-30012662	RESISTOR	1/16W 2.7K J
R502	VE-30017653	RESISTOR ARRAY	1/16W 47RX4 J	R1051	VE-30012713	RESISTOR	1/16W 75R J
R503	VE-30017653	RESISTOR ARRAY	1/16W 47RX4 J	R1052	VE-30012702	RESISTOR	1/16W 560R J
R504	VE-30014022	RESISTOR	1/16W 47R J	R1067	VE-30012695	RESISTOR	1/16W 470R J
R505	VE-30014022	RESISTOR	1/16W 47R J	R1068	VE-30012657	RESISTOR	1/16W 1K J
R506	VE-30017653	RESISTOR ARRAY	1/16W 47RX4 J	R1069	VE-30012695	RESISTOR	1/16W 470R J
R507	VE-30017653	RESISTOR ARRAY	1/16W 47RX4 J	R1078	VE-30012510	RESISTOR	1/16W 100R J
R508	VE-30017653	RESISTOR ARRAY	1/16W 47RX4 J	R1089	VE-30012510	RESISTOR	1/16W 100R J
R509	VE-30017653	RESISTOR ARRAY	1/16W 47RX4 J	R1090	VE-30012510	RESISTOR	1/16W 100R J
R510	VE-30012657	RESISTOR	1/16W 1K J	R1091	VE-30012510	RESISTOR	1/16W 100R J
R511	VE-30017653	RESISTOR ARRAY	1/16W 47RX4 J	R1092	VE-30012657	RESISTOR	1/16W 1K J
R512	VE-30012657	RESISTOR	1/16W 1K J	R1093	VE-30012510	RESISTOR	1/16W 100R J
R513	VE-30012713	RESISTOR	1/16W 75R J	R1094	VE-30012510	RESISTOR	1/16W 100R J
R514	VE-30012713	RESISTOR	1/16W 75R J	R1095	VE-30012510	RESISTOR	1/16W 100R J
R515	VE-30012713	RESISTOR	1/16W 75R J	R1096	VE-30012657	RESISTOR	1/16W 1K J
R516	VE-30012713	RESISTOR	1/16W 75R J	R1097	VE-30012510	RESISTOR	1/16W 100R J
R517	VE-30014128	RESISTOR	1/16W 33R J	R1098	VE-30012510	RESISTOR	1/16W 100R J
R518	VE-30014128	RESISTOR	1/16W 33R J	R1100	VE-30012677	RESISTOR	1/16W 3.3K J
R519	VE-30014128	RESISTOR	1/16W 33R J	R1101	VE-30012641	RESISTOR	1/16W 10K J
R522	VE-30012713	RESISTOR	1/16W 75R J	R1102	VE-30012669	RESISTOR	1/16W 22K J
R523	VE-30012713	RESISTOR	1/16W 75R J	R1103	VE-30012677	RESISTOR	1/16W 3.3K J
R524	VE-30012713	RESISTOR	1/16W 75R J	R1104	VE-30012657	RESISTOR	1/16W 1K J
R525	VE-30012713	RESISTOR	1/16W 75R J	R1105	VE-30012657	RESISTOR	1/16W 1K J
R600	VE-30012692	RESISTOR	1/16W 4.7K J	R1106	VE-30012657	RESISTOR	1/16W 1K J
R601	VE-30012692	RESISTOR	1/16W 4.7K J	R1107	VE-30012657	RESISTOR	1/16W 1K J
R606	VE-30012510	RESISTOR	1/16W 100R J	R1108	VE-30012657	RESISTOR	1/16W 1K J
R607	VE-30012641	RESISTOR	1/16W 10K J	R1109	VE-30012657	RESISTOR	1/16W 1K J
R610	VE-30012641	RESISTOR	1/16W 10K J	R1110	VE-30012657	RESISTOR	1/16W 1K J
R611	VE-30012510	RESISTOR	1/16W 100R J	R1111	VE-30012657	RESISTOR	1/16W 1K J
R624	VE-30018254	RESISTOR ARRAY	1/16W 10R J	R1112	VE-30012669	RESISTOR	1/16W 22K J
R625	VE-30018254	RESISTOR ARRAY	1/16W 10R J	R1113	VE-30012641	RESISTOR	1/16W 10K J
R626	VE-30018254	RESISTOR ARRAY	1/16W 10R J	R1114	VE-30012659	RESISTOR	1/16W 2.2K J
R627	VE-30018254	RESISTOR ARRAY	1/16W 10R J	R1115	VE-30012641	RESISTOR	1/16W 10K J
R628	VE-30018254	RESISTOR ARRAY	1/16W 10R J	R1116	VE-30012641	RESISTOR	1/16W 10K J
R629	VE-30018254	RESISTOR ARRAY	1/16W 10R J	R1117	VE-30012641	RESISTOR	1/16W 10K J
R639	VE-30018254	RESISTOR ARRAY	1/16W 10R J	R1118	VE-30012696	RESISTOR	1/16W 47K J
R648	VE-30012692	RESISTOR	1/16W 4.7K J	R1119	VE-30012641	RESISTOR	1/16W 10K J
R653	VE-30012679	RESISTOR	1/16W 3.9K J	R1128	VE-30014076	RESISTOR	1/16W 4.7R J
R654	VE-30012650	RESISTOR	1/16W 15K J	R1129	VE-30014076	RESISTOR	1/16W 4.7R J
R655	VE-30012650	RESISTOR	1/16W 15K J	R1130	VE-30014076	RESISTOR	1/16W 4.7R J
R656	VE-30012650	RESISTOR	1/16W 15K J	R2004	VE-30012510	RESISTOR	1/16W 100R J
R657	VE-30012679	RESISTOR	1/16W 3.9K J	R2005	VE-30012510	RESISTOR	1/16W 100R J
R660	VE-30012679	RESISTOR	1/16W 3.9K J	R2008	VE-30012657	RESISTOR	1/16W 1K J
R661	VE-30012657	RESISTOR	1/16W 1K J	R2009	VE-30012657	RESISTOR	1/16W 1K J
R679	VE-30012705	RESISTOR	1/16W 6.8K J	R2010	VE-30012657	RESISTOR	1/16W 1K J
R680	VE-30012705	RESISTOR	1/16W 6.8K J	R2011	VE-30012657	RESISTOR	1/16W 1K J
R681	VE-30012692	RESISTOR	1/16W 4.7K J	R2012	VE-30012657	RESISTOR	1/16W 1K J
R682	VE-30012692	RESISTOR	1/16W 4.7K J	R2013	VE-30012657	RESISTOR	1/16W 1K J
R684	VE-30012713	RESISTOR	1/16W 75R J	R2014	VE-30012657	RESISTOR	1/16W 1K J
R685	VE-30012713	RESISTOR	1/16W 75R J	R2015	VE-30012510	RESISTOR	1/16W 100R J
R686	VE-30012713	RESISTOR	1/16W 75R J	R2016	VE-30012510	RESISTOR	1/16W 100R J
R687	VE-30016654	CAPACITOR	100nF 16V K	R2019	VE-30012657	RESISTOR	1/16W 1K J
R688	VE-30012692	RESISTOR	1/16W 4.7K J	R2020	VE-30012657	RESISTOR	1/16W 1K J
R689	VE-30012692	RESISTOR	1/16W 4.7K J	R2021	VE-30012657	RESISTOR	1/16W 1K J
R691	VE-30012692	RESISTOR	1/16W 4.7K J	R2022	VE-30012657	RESISTOR	1/16W 1K J
R692	VE-30012692	RESISTOR	1/16W 4.7K J	R2023	VE-30012657	RESISTOR	1/16W 1K J
R693	VE-30012692	RESISTOR	1/16W 4.7K J	R2029	VE-30012641	RESISTOR	1/16W 10K J
R694	VE-30012692	RESISTOR	1/16W 4.7K J	R2030	VE-30013001	RESISTOR	1/16W 1K F
R695	VE-30012692	RESISTOR	1/16W 4.7K J	R2035	VE-30012510	RESISTOR	1/16W 100R J
R696	VE-30012692	RESISTOR	1/16W 4.7K J	R2038	VE-30012692	RESISTOR	1/16W 4.7K J
R902	VE-30012657	RESISTOR	1/16W 1K J	R2039	VE-30012679	RESISTOR	1/16W 3.9K J
R903	VE-30012698	RESISTOR	1/16W 5.6K J	R2040	VE-30014128	RESISTOR	1/16W 33R J
R904	VE-30012684	RESISTOR	1/16W 330R J	R2041	VE-30014128	RESISTOR	1/16W 33R J
R905	VE-30012649	RESISTOR	1/16W 150R J	R2042	VE-30018373	RESISTOR ARRAY	1/16W 33R J
R907	VE-30012641	RESISTOR	1/16W 10K J	R2043	VE-30014128	RESISTOR	1/16W 33R J
R908	VE-30012641	RESISTOR	1/16W 10K J	R2044	VE-30014128	RESISTOR	1/16W 33R J
R910	VE-30012641	RESISTOR	1/16W 10K J	R2046	VE-30018373	RESISTOR ARRAY	1/16W 33R J
R912	VE-30012641	RESISTOR	1/16W 10K J	R2047	VE-30018373	RESISTOR ARRAY	1/16W 33R J
R914	VE-30012641	RESISTOR	1/16W 10K J	R2049	VE-30018373	RESISTOR ARRAY	1/16W 33R J
R923	VE-30012684	RESISTOR	1/16W 330R J	R2050	VE-30018373	RESISTOR ARRAY	1/16W 33R J
R924	VE-30012641	RESISTOR	1/16W 10K J	R2051	VE-30018373	RESISTOR ARRAY	1/16W 33R J
R925	VE-30014420	RESISTOR	1/16W 10K F	R2052	VE-30018373	RESISTOR ARRAY	1/16W 33R J
R926	VE-30012641	RESISTOR	1/16W 10K J	R2053	VE-30012692	RESISTOR	1/16W 4.7K J
R1001	VE-30012662	RESISTOR	1/16W 2.7K J	R2062	VE-30012692	RESISTOR	1/16W 4.7K J
R1010	VE-30012510	RESISTOR	1/16W 100R J	R2063	VE-30012696	RESISTOR	1/16W 47K J
R1012	VE-30012698	RESISTOR	1/16W 5.6K J	R2066	VE-30012694	RESISTOR	1/16W 470K J
R1023	VE-30012669	RESISTOR	1/16W 22K J	R2067	VE-30012694	RESISTOR	1/16W 470K J
R1024	VE-30012698	RESISTOR	1/16W 5.6K J	R2068	VE-30012692	RESISTOR	1/16W 4.7K J
R1026	VE-30014022	RESISTOR	1/16W 47R J	R2069	VE-30012641	RESISTOR	1/16W 10K J
R1027	VE-30012669	RESISTOR	1/16W 22K J	R2070	VE-30012657	RESISTOR	1/16W 1K J
R1030	VE-30012510	RESISTOR	1/16W 100R J	R2071	VE-30012982	RESISTOR	1/16W 10R J
R1033	VE-30012510	RESISTOR	1/16W 100R J	R2077	VE-30012650	RESISTOR	1/16W 15K J
R1034	VE-30012641	RESISTOR	1/16W 10K J	R2078	VE-30012669	RESISTOR	1/16W 22K J
R1039	VE-30012644	RESISTOR	1/16W 12K J	R2084	VE-30012650	RESISTOR	1/16W 15K J
R1040	VE-30012696	RESISTOR	1/16W 47K J	R2086	VE-30012669	RESISTOR	1/16W 22K J
R1041	VE-30012649	RESISTOR	1/16W 150R J	R2089	VE-30012696	RESISTOR	1/16W 47K J

△Ref No.	Part No.	Part Name	Description	Local	△Ref No.	Part No.	Part Name	Description	Local
R2090	VE-30012696	RESISTOR	1/16W 47K J		L406	VE-30020394	FERRITE		
R2091	VE-30012665	RESISTOR	1/16W 20K J		L407	VE-30020394	FERRITE		
R2098	VE-30012669	RESISTOR	1/16W 22K J		L408	VE-30020394	FERRITE		
R2099	VE-30012692	RESISTOR	1/16W 4.7K J		L409	VE-30020394	FERRITE		
R2201	VE-30014022	RESISTOR	1/16W 47R J		L500	VE-30001968	FERRITE		
R2202	VE-30012668	RESISTOR	1/16W 220R J		L501	VE-30001968	FERRITE		
R2203	VE-30012510	RESISTOR	1/16W 100R J		L600	VE-30001968	FERRITE		
R2204	VE-30012510	RESISTOR	1/16W 100R J		L601	VE-30001968	FERRITE		
R2208	VE-30012982	RESISTOR	1/16W 10R J		L603	VE-30001968	FERRITE		
R2209	VE-30012982	RESISTOR	1/16W 10R J		L604	VE-30001971	FERRITE		
R2210	VE-30012641	RESISTOR	1/16W 10K J		L900	VE-30001971	FERRITE		
R2213	VE-30018373	RESISTOR ARRAY	1/16W 33R J		L901	VE-30019087	FERRITE		
R2215	VE-30014128	RESISTOR	1/16W 33R J		L902	VE-30019087	FERRITE		
R2219	VE-30012510	RESISTOR	1/16W 100R J		L903	VE-30019087	FERRITE		
R2220	VE-30012510	RESISTOR	1/16W 100R J		L904	VE-30019087	FERRITE		
R2221	VE-30012510	RESISTOR	1/16W 100R J		L905	VE-30019087	FERRITE		
R2222	VE-30012510	RESISTOR	1/16W 100R J		L906	VE-30019087	FERRITE		
R2223	VE-30012510	RESISTOR	1/16W 100R J		L907	VE-30019087	FERRITE		
R2224	VE-30012510	RESISTOR	1/16W 100R J		L908	VE-30032610	FIXED COIL		
R2225	VE-30012510	RESISTOR	1/16W 100R J		L909	VE-30020529	FERRITE		
R2226	VE-30012510	RESISTOR	1/16W 100R J		L911	VE-30032189	FIXED COIL		
R2227	VE-30012510	RESISTOR	1/16W 100R J		L913	VE-30020529	FERRITE		
R2228	VE-30012510	RESISTOR	1/16W 100R J		L914	VE-30002170	FERRITE CORE		
R2229	VE-30012510	RESISTOR	1/16W 100R J		L915	VE-30002170	FERRITE CORE		
R2230	VE-30012510	RESISTOR	1/16W 100R J		L916	VE-30002170	FERRITE CORE		
R2231	VE-30012510	RESISTOR	1/16W 100R J		L919	VE-30002170	FERRITE CORE		
R2232	VE-30012510	RESISTOR	1/16W 100R J		L920	VE-30001971	FERRITE		
R2233	VE-30012510	RESISTOR	1/16W 100R J		L921	VE-30001971	FERRITE		
R2234	VE-30012510	RESISTOR	1/16W 100R J		L922	VE-30001971	FERRITE		
R2235	VE-30012510	RESISTOR	1/16W 100R J		L927	VE-30019087	FERRITE		
R2236	VE-30012510	RESISTOR	1/16W 100R J		L930	VE-30019087	FERRITE		
R2237	VE-30012510	RESISTOR	1/16W 100R J		L931	VE-30019087	FERRITE		
R2238	VE-30012510	RESISTOR	1/16W 100R J		L932	VE-30019087	FERRITE		
R2239	VE-30012677	RESISTOR	1/16W 3.3K J		L1000	VE-30001979	FIXED COIL		
R2240	VE-30012677	RESISTOR	1/16W 3.3K J		L1001	VE-30001971	FERRITE		
R2241	VE-30012641	RESISTOR	1/16W 10K J		L1008	VE-30024778	FERRITE		
R2300	VE-30012692	RESISTOR	1/16W 4.7K J		L1017	VE-30024778	FERRITE		
R2301	VE-30012696	RESISTOR	1/16W 47K J		L1018	VE-30024778	FERRITE		
R2302	VE-30012696	RESISTOR	1/16W 47K J		L1019	VE-30001968	FERRITE		
R2303	VE-30012641	RESISTOR	1/16W 10K J		L1020	VE-30024778	FERRITE		
R2304	VE-30012510	RESISTOR	1/16W 100R J		L1021	VE-30001968	FERRITE		
R2305	VE-30012510	RESISTOR	1/16W 100R J		L1022	VE-30001968	FERRITE		
R6005	VE-30012702	RESISTOR	1/16W 560R J		L1023	VE-30001968	FERRITE		
R6007	VE-30012509	RESISTOR	1/16W 100K J		L1024	VE-30001968	FERRITE		
R6010	VE-30012509	RESISTOR	1/16W 100K J		L1025	VE-30001968	FERRITE		
R6013	VE-30012692	RESISTOR	1/16W 4.7K J		L1026	VE-30001968	FERRITE		
R6014	VE-30012692	RESISTOR	1/16W 4.7K J		L1027	VE-30024778	FERRITE		
R6015	VE-30012695	RESISTOR	1/16W 470R J		L1028	VE-30024778	FERRITE		
R6016	VE-30012657	RESISTOR	1/16W 1K J		L1029	VE-30001968	FERRITE		
R6018	VE-30012669	RESISTOR	1/16W 22K J		L1030	VE-30001968	FERRITE		
R6019	VE-30012669	RESISTOR	1/16W 22K J		L2000	VE-30024778	FERRITE		
R6030	VE-30014022	RESISTOR	1/16W 47R J		L2001	VE-30001968	FERRITE		
R6031	VE-30014022	RESISTOR	1/16W 47R J		L2002	VE-30001968	FERRITE		
R6035	VE-30012692	RESISTOR	1/16W 4.7K J		L2010	VE-30001968	FERRITE		
R6037	VE-30014420	RESISTOR	1/16W 10K F		L2011	VE-30001968	FERRITE		
R6039	VE-30012510	RESISTOR	1/16W 100R J		L2012	VE-30001968	FERRITE		
R6040	VE-30012692	RESISTOR	1/16W 4.7K J		L2013	VE-30001968	FERRITE		
R6041	VE-30012692	RESISTOR	1/16W 4.7K J		L2014	VE-30001968	FERRITE		
R6045	VE-30012692	RESISTOR	1/16W 4.7K J		L2015	VE-30001968	FERRITE		
L200	VE-30001968	FERRITE			L2016	VE-30001971	FERRITE		
L201	VE-30001968	FERRITE			L2017	VE-30001971	FERRITE		
L202	VE-30001968	FERRITE			L2018	VE-30001968	FERRITE		
L203	VE-30001968	FERRITE			L2019	VE-30001968	FERRITE		
L204	VE-30001968	FERRITE							
L205	VE-30001968	FERRITE			JK200	VE-30032641	JACK	PC AUDIO IN	
L206	VE-30001968	FERRITE			JK300	VE-30032233	JACK	EXT-3 Y	
L207	VE-30001968	FERRITE			JK301	VE-30032234	JACK	EXT-3 Pb	
L208	VE-30001968	FERRITE			JK302	VE-30032638	JACK	EXT-3 Pr	
L209	VE-30001968	FERRITE			JK303	VE-30032636	JACK	EXT-3 AUDIO(L)	
L210	VE-30001968	FERRITE			JK304	VE-30032638	JACK	EXT-3 AUDIO(R)	
L211	VE-30001968	FERRITE			PL200	VE-30033117	D SOCKET	PC INPUT	
L212	VE-30001968	FERRITE			PL203	VE-30018089	SCART SOCET	EXT-2	
L213	VE-30001968	FERRITE			PL205	VE-30018089	SCART SOCET	EXT-1	
L214	VE-30001968	FERRITE			PL2001	VE-30030707	JACK	HDMI	
L216	VE-30001968	FERRITE			S112	VE-30012692	RESISTOR	1/16W 4.7K J	
L218	VE-30001971	FERRITE			S223	VE-30020529	FERRITE		
L219	VE-30001968	FERRITE			S637	VE-30020529	FERRITE		
L300	VE-30001968	FERRITE			S652	VE-30012692	RESISTOR	1/16W 4.7K J	
L308	VE-30001968	FERRITE			S902	VE-30012982	RESISTOR	1/16W 10R J	
L311	VE-30001968	FERRITE			S6313	VE-30012641	RESISTOR	1/16W 10K J	
L312	VE-30001968	FERRITE			TU1001	VE-30047803	TUNER		
L313	VE-30001968	FERRITE			X300	VE-30008778	CLYSTAT	20.250MHz	
L314	VE-30001968	FERRITE			X400	VE-30017946	CLYSTAT	14.318MHz	
L315	VE-30001968	FERRITE			X600	VE-30006662	CLYSTAT	6.000MHz	
L316	VE-30001971	FERRITE			X1001	VE-30002851	CLYSTAT	4.000MHz	
L317	VE-30001971	FERRITE			X1002	VE-30001756	CLYSTAT	18.432MHz	
L401	VE-30020394	FERRITE			Z1001	VE-30014261	SAW FILTER		
L402	VE-30020394	FERRITE			Z1002	VE-30012545	SAW FILTER		
L404	VE-30001968	FERRITE							

AV JACK P.W. BOARD ASS'Y (VE-20276050)

△Ref No.	Part No.	Part Name	Description	Local
D100	VE-30038472	Z DIODE		
D101	VE-30038472	Z DIODE		
D102	VE-30038472	Z DIODE		
D103	VE-30038472	Z DIODE		
D104	VE-30038472	Z DIODE		
D105	VE-30038476	Z DIODE		
D106	VE-30038476	Z DIODE		
D107	VE-30038472	Z DIODE		
D108	VE-30038472	Z DIODE		
D109	VE-30038472	Z DIODE		
C100	VE-30000237	CAPACITOR	33pF 50V J	
C101	VE-30000237	CAPACITOR	33pF 50V J	
C102	VE-30000237	CAPACITOR	33pF 50V J	
C103	VE-30000189	CAPACITOR	100pF 50V J	
C104	VE-30000189	CAPACITOR	100pF 50V J	
C105	VE-30000189	CAPACITOR	100pF 50V J	
C106	VE-30000332	CAPACITOR	4.7nF 50V K	
C107	VE-30000332	CAPACITOR	4.7nF 50V K	
C108	VE-30000189	CAPACITOR	100pF 50V J	
C109	VE-30000189	CAPACITOR	100pF 50V J	
C110	VE-30000189	CAPACITOR	100pF 50V J	
R100	VE-30006462	RESISTOR	1/10W 22R J	
R101	VE-30006462	RESISTOR	1/10W 22R J	
R102	VE-30000717	RESISTOR	1/10W 470R J	
R103	VE-30000717	RESISTOR	1/10W 470R J	
R104	VE-30000653	RESISTOR	1/10W 33R J	
R105	VE-30000653	RESISTOR	1/10W 33R J	
R107	VE-30000717	RESISTOR	1/10W 470R J	
R108	VE-30000717	RESISTOR	1/10W 470R J	
L100	VE-30001971	FERRITE		
L101	VE-30001971	FERRITE		
L102	VE-30001971	FERRITE		
L103	VE-30001971	FERRITE		
L104	VE-30001971	FERRITE		
L106	VE-30001971	FERRITE		
L107	VE-30001971	FERRITE		
L108	VE-30001971	FERRITE		
L109	VE-30001971	FERRITE		
L110	VE-30001971	FERRITE		
L111	VE-30001971	FERRITE		
L112	VE-30001971	FERRITE		
L115	VE-30001971	FERRITE		
L116	VE-30001971	FERRITE		
L117	VE-30001971	FERRITE		
L118	VE-30001971	FERRITE		
JK100	VE-30032640	JACK	EXT-4 S-VIDEO	
JK101	VE-30032639	JACK	EXT-4 VIDEO	
JK102	VE-30032638	JACK	EXT-4 AUDIO(R)	
JK103	VE-30032636	JACK	EXT-4 AUDIO(L)	
JK104	VE-30031077	HEADPHONE JACK	HEADPHONE	
JK105	VE-30033200	JACK	DIGITAL AUDIO OUT	
JK106	VE-30032636	JACK	AUDIO OUT(L)	
JK107	VE-30032638	JACK	AUDIO OUT(R)	

SIDE CONTROL P.W. BOARD ASS'Y (VE-20281990)

△Ref No.	Part No.	Part Name	Description	Local
D1	VE-30016020	DIODE		
R1	VE-30000689	RESISTOR	1/4W 3.9K J	
R2	VE-30000526	RESISTOR	1/4W 1.5K J	
R3	VE-30000459	RESISTOR	1/4W 100R J	
R4	VE-30000655	RESISTOR	1/4W 330R J	
R5	VE-30000770	RESISTOR	1/4W 680R J	
R6	VE-30000612	RESISTOR	1/4W 2.4K J	
L1	VE-30006712	FERRITE BEAD		
SW1	VE-30032684	TACT SWITCH	VOLUME -	
SW2	VE-30032684	TACT SWITCH	VOLUME +	
SW3	VE-30032684	TACT SWITCH	PROGRAM -	
SW4	VE-30032684	TACT SWITCH	PROGRAM +	
SW5	VE-30032684	TACT SWITCH	MENU	
SW6	VE-30032684	TACT SWITCH	TV/AV/OK	
SW7	VE-30032684	TACT SWITCH	STAND-BY	

LED P.W. BOARD ASS'Y (VE-20275736)

△Ref No.	Part No.	Part Name	Description	Local
MD1	VE-30047579	IC		
D1	VE-30001279	LED	RED/GREEN	
C1	VE-30000371	E CAPACITOR	22uF 50V M	
R1	VE-30000459	RESISTOR	1/4W 100R J	

AMPLIFIER P.W. BOARD ASS'Y (VE-20279752)

△Ref No.	Part No.	Part Name	Description	Local
IC1	VE-30044042	IC		
Q1	VE-30001458	TRANSISTOR		
Q2	VE-30007798	TRANSISTOR		
D1	VE-30011726	DIODE		
D2	VE-30016020	DIODE		
C101	VE-30012603	CAPACITOR	100nF 25V K	
C102	VE-30000295	C CAPACITOR	100nF 50V Z	
C103	VE-30012603	CAPACITOR	100nF 25V K	
C104	VE-30012603	CAPACITOR	100nF 25V K	
C105	VE-30012603	CAPACITOR	100nF 25V K	
C106	VE-30012603	CAPACITOR	100nF 25V K	
C107	VE-30012603	CAPACITOR	100nF 25V K	
C108	VE-30012603	CAPACITOR	100nF 25V K	
C111	VE-30000361	E CAPACITOR	1000uF 35V M	
C112	VE-30000361	E CAPACITOR	1000uF 35V M	
C113	VE-30012574	CAPACITOR	470pF 50V J	
C114	VE-30019107	CAPACITOR	15nF 50V K	
C115	VE-30019107	CAPACITOR	15nF 50V K	
C116	VE-30012603	CAPACITOR	100nF 25V K	
C117	VE-30012574	CAPACITOR	470pF 50V J	
C118	VE-30000295	C CAPACITOR	100nF 50V Z	
C120	VE-30024768	CAPACITOR	470nF 16V Z	
C121	VE-30024768	CAPACITOR	470nF 16V Z	
C123	VE-30024768	CAPACITOR	470nF 16V Z	
C124	VE-30024768	CAPACITOR	470nF 16V Z	
C127	VE-30000410	E CAPACITOR	470uF 50V M	
C128	VE-30000410	E CAPACITOR	470uF 50V M	
C130	VE-30000376	E CAPACITOR	220uF 25V M	
C131	VE-30012603	CAPACITOR	100nF 25V K	
C132	VE-30000100	CAPACITOR	330nF 63V J	
C133	VE-30000100	CAPACITOR	330nF 63V J	
C135	VE-30000294	CAPACITOR	100nF 50V K	
C136	VE-30000400	E CAPACITOR	47uF 50V M	
R5	VE-30012692	RESISTOR	1/16W 4.7K J	
R6	VE-30012692	RESISTOR	1/16W 4.7K J	
R7	VE-30012692	RESISTOR	1/16W 4.7K J	
R8	VE-30012692	RESISTOR	1/16W 4.7K J	
R9	VE-30012689	RESISTOR	1/16W 39K J	
R10	VE-30012696	RESISTOR	1/16W 47K J	
R11	VE-30023224	RESISTOR	1/16W 12K F	
R12	VE-30012662	RESISTOR	1/16W 2.7K J	
R14	VE-30012641	RESISTOR	1/16W 10K J	
R17	VE-30000475	RESISTOR	1/10W 10K J	
R18	VE-30000843	RESISTOR	1/4W 10R J	
R20	VE-30000620	RESISTOR	1/4W 27R J	
R21	VE-30000620	RESISTOR	1/4W 27R J	
R22	VE-30001075	RESISTOR	1/2W 10R J	
R23	VE-30000843	RESISTOR	1/4W 10R J	
R24	VE-30020700	RESISTOR	1/16W 11K J	
R25	VE-30020700	RESISTOR	1/16W 11K J	
R29	VE-30012658	RESISTOR	1/16W 1M J	
R30	VE-30012658	RESISTOR	1/16W 1M J	
L3	VE-30011450	FIXED COIL	22uH	
L4	VE-30019475	FIXED COIL	47uH	
L5	VE-30019475	FIXED COIL	47uH	
S3	VE-30013001	RESISTOR	1/16W 1K F	

POWER P.W. BOARD ASS'Y (VE-20237242)

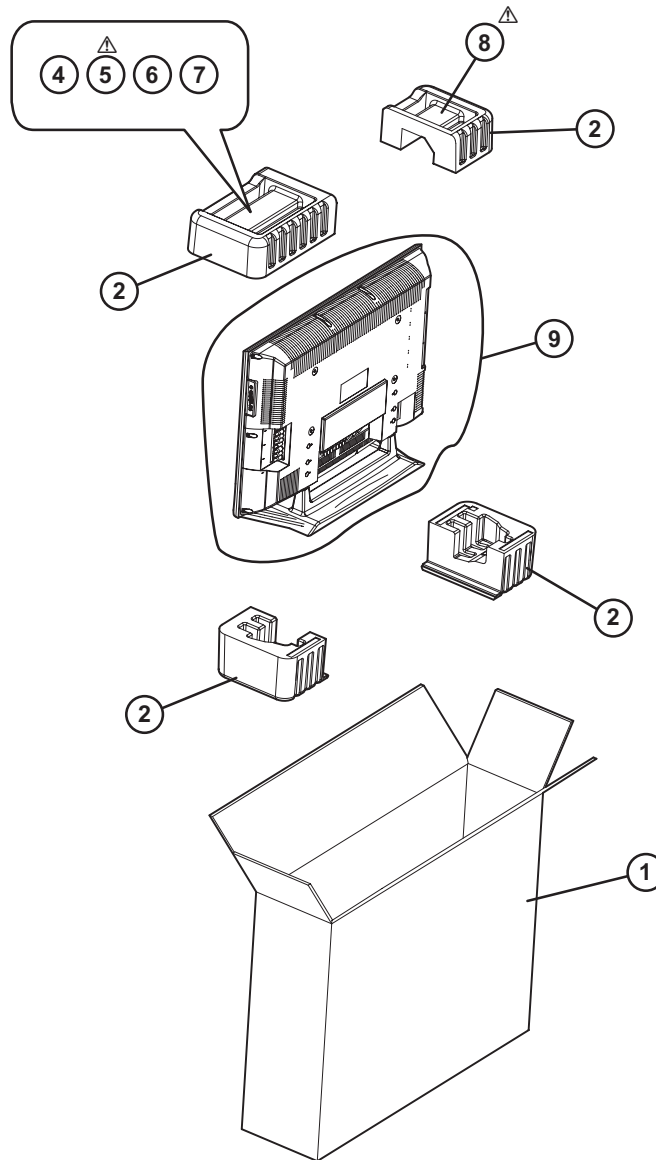
△Ref No.	Part No.	Part Name	Description	Local
△IC801	VE-30015087	IC		
IC802	VE-30039471	IC		
IC806	VE-30033966	IC		
IC807	VE-30014541	IC		
△IC809	VE-30015087	IC		
△IC811	VE-30015087	IC		
IC824	VE-30033743	TRANSISTOR		
IC825	VE-30036548	DIODE		
IC827	VE-30001284	DIODE		
IC828	VE-30001668	IC		
Q802	VE-30001457	TRANSISTOR		
Q803	VE-30039463	TRANSISTOR		
Q804	VE-30001457	TRANSISTOR		
Q805	VE-30001457	TRANSISTOR		
Q806	VE-30001457	TRANSISTOR		
Q807	VE-30001457	TRANSISTOR		
Q808	VE-30001457	TRANSISTOR		
Q809	VE-30014346	IC		
Q810	VE-30001457	TRANSISTOR		
Q811	VE-30001458	TRANSISTOR		
Q812	VE-30001457	TRANSISTOR		
Q813	VE-30039463	TRANSISTOR		
Q814	VE-30039463	TRANSISTOR		
Q815	VE-30039205	DIODE		
Q816	VE-30039205	DIODE		
Q818	VE-30001457	TRANSISTOR		
Q820	VE-30001457	TRANSISTOR		
Q822	VE-30001458	TRANSISTOR		
Q823	VE-30001457	TRANSISTOR		
Q824	VE-30001458	TRANSISTOR		
Q827	VE-30039205	DIODE		
Q830	VE-30001457	TRANSISTOR		
Q831	VE-30001457	TRANSISTOR		
Q832	VE-30007802	TRANSISTOR		
Q833	VE-30001457	TRANSISTOR		
Q834	VE-30001457	TRANSISTOR		
Q835	VE-30001457	TRANSISTOR		
Q837	VE-30029322	TRANSISTOR		
Q838	VE-30001457	TRANSISTOR		
Q839	VE-30001455	TRANSISTOR		
Q840	VE-30001455	TRANSISTOR		
Q841	VE-30001458	TRANSISTOR		
Q843	VE-30001457	TRANSISTOR		
D800	VE-30007758	DIODE		
D805	VE-30038507	DIODE		
D806	VE-30031925	DIODE		
D807	VE-30031925	DIODE		
D809	VE-30001353	DIODE		
D811	VE-30038507	DIODE		
D812	VE-30038507	DIODE		
D813	VE-30038507	DIODE		
D814	VE-30038507	DIODE		
D815	VE-30038507	DIODE		
D818	VE-30031925	DIODE		
D819	VE-30008996	IC		
D820	VE-30031925	DIODE		
D821	VE-30038492	Z DIODE		
D823	VE-30001318	DIODE		
D824	VE-30032757	DIODE		
D826	VE-30038493	DIODE		
D831	VE-30031925	DIODE		
D832	VE-30031925	DIODE		
D835	VE-30038507	DIODE		
D836	VE-30038478	DIODE		
D838	VE-30008996	IC		
D840	VE-30001288	DIODE		
D841	VE-30001288	DIODE		
D842	VE-30038507	DIODE		
D845	VE-30017624	DIODE		
D846	VE-30017624	DIODE		
D847	VE-30038497	DIODE		
D850	VE-30008996	IC		
D851	VE-30008996	IC		
D852	VE-30008996	IC		
D853	VE-30038507	DIODE		
D854	VE-30001353	DIODE		
D855	VE-30038507	DIODE		
D856	VE-30038507	DIODE		
D857	VE-30038507	DIODE		
D859	VE-30022478	DIODE		
D860	VE-30022478	DIODE		
D861	VE-30022478	DIODE		
D862	VE-30038480	DIODE		
D863	VE-30038507	DIODE		
D865	VE-30038507	DIODE		

△Ref No.	Part No.	Part Name	Description	Local
△C800	VE-30000094	CAPACITOR	220nF 275V M	
C801	VE-30000387	E CAPACITOR	33uF 50V M	
C802	VE-30039383	CAPACITOR	1uF 450V K	
C805	VE-30012610	CAPACITOR	10nF 50V J	
C806	VE-30005819	E CAPACITOR	1000uF 16V M	
C808	VE-30000294	CAPACITOR	100nF 50V K	
△C810	VE-30000128	CAPACITOR	10nF 630VDC J	
C812	VE-30000359	E CAPACITOR	1000uF 16V M	
△C813	VE-30000440	C CAPACITOR	2.2nF 4KV M	
C814	VE-30016085	E CAPACITOR	10uF 63V	
C815	VE-30007308	C CAPACITOR	220pF 1KV K	
C817	VE-30000376	E CAPACITOR	220uF 25V M	
C818	VE-30031826	E CAPACITOR	4700uF 6.3V M	
C822	VE-30012581	CAPACITOR	1nF 50V K	
C824	VE-30016654	CAPACITOR	100nF 16V K	
C826	VE-30016085	E CAPACITOR	10uF 63V	
C829	VE-30016654	CAPACITOR	100nF 16V K	
C830	VE-30016654	CAPACITOR	100nF 16V K	
C833	VE-30000294	CAPACITOR	100nF 50V K	
C834	VE-30018901	E CAPACITOR	100uF 50V M	
C835	VE-30018901	E CAPACITOR	100uF 50V M	
C836	VE-30000074	CAPACITOR	100nF 63V J	
C837	VE-30000352	E CAPACITOR	100uF 16V M	
C838	VE-30000345	E CAPACITOR	10uF 50V M	
C839	VE-30016654	CAPACITOR	100nF 16V K	
C840	VE-30000387	E CAPACITOR	33uF 50V M	
C841	VE-30012603	CAPACITOR	100nF 25V K	
C842	VE-30039384	CAPACITOR	1nF 1KV K	
C845	VE-30012603	CAPACITOR	100nF 25V K	
△C847	VE-30012061	C CAPACITOR	1nF 4KV M	
C848	VE-30016085	E CAPACITOR	10uF 63V	
C849	VE-30012585	CAPACITOR	2.2nF 50V K	
C850	VE-30012161	E CAPACITOR	1000uF 50V M	
C851	VE-30005819	E CAPACITOR	1000uF 16V M	
C852	VE-30007748	E CAPACITOR	1000uF 35V M	
C853	VE-30000365	E CAPACITOR	1uF 160V M	
C855	VE-30000096	CAPACITOR MKT	27nF 100V J	
C856	VE-30012581	CAPACITOR	1nF 50V K	
C857	VE-30031826	E CAPACITOR	4700uF 6.3V M	
C859	VE-30007308	C CAPACITOR	220pF 1KV K	
C860	VE-30031825	E CAPACITOR	2200uF 6.3V M	
C862	VE-30000074	CAPACITOR	100nF 63V J	
C863	VE-30005819	E CAPACITOR	1000uF 16V M	
C868	VE-30016654	CAPACITOR	100nF 16V K	
C870	VE-30000506	RESISTOR	1/10W 120K J	
△C873	VE-30012061	C CAPACITOR	1nF 4KV M	
C874	VE-30016085	E CAPACITOR	10uF 63V	
C877	VE-30000137	CAPACITOR	15nF 630VDC J	
C878	VE-30000137	CAPACITOR	15nF 630VDC J	
C881	VE-30016085	E CAPACITOR	10uF 63V	
C882	VE-30016654	CAPACITOR	100nF 16V K	
C886	VE-30039139	CAPACITOR	470nF 50V K	
C887	VE-30039139	CAPACITOR	470nF 50V K	
C888	VE-30039139	CAPACITOR	470nF 50V K	
C889	VE-30039139	CAPACITOR	470nF 50V K	
△C890	VE-30039383	CAPACITOR	1uF 450V K	
C892	VE-30000355	E CAPACITOR	100uF 50V M	
C893	VE-30039384	CAPACITOR	1nF 1KV K	
C894	VE-30000294	CAPACITOR	100nF 50V K	
C898	VE-30012585	CAPACITOR	2.2nF 50V K	
C901	VE-30000413	E CAPACITOR	4.7uF 50V M	
C904	VE-30020694	CAPACITOR	1uF 16V Z	
C906	VE-30010555	CAPACITOR	1uF 16V K	
C907	VE-30010555	CAPACITOR	1uF 16V K	
C908	VE-30010555	CAPACITOR	1uF 16V K	
C909	VE-30010560	CAPACITOR	220nF 25V K	
C910	VE-30010560	CAPACITOR	220nF 25V K	
C912	VE-30000309	CAPACITOR	2.2nF 50V K	
C913	VE-30010555	CAPACITOR	1uF 16V K	
△R801	VE-30018085	CAPACITOR	510V K	
R803	VE-30012674	RESISTOR	1/16W 27K J	
△R805	VE-30039196	RESISTOR	1/4W 1M F	
R806	VE-30039196	RESISTOR	1/4W 1M F	
R807	VE-30039196	RESISTOR	1/4W 1M F	
R814	VE-30001096	RESISTOR	1W 120K J	
R815	VE-30010555	CAPACITOR	1uF 16V K	
R817	VE-30039401	RESISTOR	1/4W 330K F	
R818	VE-30039401	RESISTOR	1/4W 330K F	
R819	VE-30039401	RESISTOR	1/4W 330K F	
R820	VE-30000807	RESISTOR	1/10W 75K J	
R822	VE-30012696	RESISTOR	1/16W 47K J	
R823	VE-30000517	RESISTOR	1/10W 15R J	
R824	VE-30012696	RESISTOR	1/16W 47K J	
R825	VE-30000464	RESISTOR	1/10W 100R J	
R826	VE-30012508	RESISTOR	1/16W 1.8K J	
R828	VE-30000723	RESISTOR	1/4W 47K J	
R830	VE-30047959	RESISTOR	2W 0.47R J	
R831	VE-30012508	RESISTOR	1/16W 1.8K J	
R832	VE-30012685	RESISTOR	1/16W 33K J	

△Ref No.	Part No.	Part Name	Description Local	△Ref No.	Part No.	Part Name	Description Local
R833	VE-30000471	RESISTOR	1/4W 10K J	R964	VE-30012509	RESISTOR	1/16W 100K J
R834	VE-30012641	RESISTOR	1/16W 10K J	R965	VE-30000770	RESISTOR	1/4W 680R J
R836	VE-30012644	RESISTOR	1/16W 12K J	R966	VE-30012649	RESISTOR	1/16W 150R J
R837	VE-30012649	RESISTOR	1/16W 150R J	R967	VE-30012657	RESISTOR	1/16W 1K J
R838	VE-30000664	RESISTOR	1/10W 3.3K J	R968	VE-30013001	RESISTOR	1/16W 1K F
R839	VE-30000664	RESISTOR	1/10W 3.3K J	R969	VE-30014170	RESISTOR	1/16W 9.1K F
R843	VE-30000721	RESISTOR	1/10W 4.7K J	R970	VE-30012696	RESISTOR	1/16W 47K J
R844	VE-30000459	RESISTOR	1/4W 100R J	R971	VE-30047959	RESISTOR	2W 0.47R J
R846	VE-30000459	RESISTOR	1/4W 100R J	R972	VE-30012657	RESISTOR	1/16W 1K J
R847	VE-30000475	RESISTOR	1/10W 10K J	R973	VE-30012650	RESISTOR	1/16W 15K J
R849	VE-30023134	RESISTOR	1/16W 470R F	R974	VE-30012657	RESISTOR	1/16W 1K J
R850	VE-30012509	RESISTOR	1/16W 100K J	R976	VE-30006462	RESISTOR	1/10W 22R J
R852	VE-30012641	RESISTOR	1/16W 10K J	R977	VE-30012641	RESISTOR	1/16W 10K J
R855	VE-30012509	RESISTOR	1/16W 100K J	R978	VE-30000529	RESISTOR	1/10W 1.5K J
R856	VE-30012692	RESISTOR	1/16W 4.7K J	R979	VE-30000529	RESISTOR	1/10W 1.5K J
R857	VE-30012644	RESISTOR	1/4W 12K J	R980	VE-30046429	RESISTOR	1/4W 2M F
R858	VE-30012692	RESISTOR	1/16W 4.7K J	R981	VE-30046429	RESISTOR	1/4W 2M F
R859	VE-30012685	RESISTOR	1/16W 33K J	R982	VE-30046429	RESISTOR	1/4W 2M F
R860	VE-30000653	RESISTOR	1/10W 33R J	R983	VE-30000475	RESISTOR	1/10W 10K J
R861	VE-30000653	RESISTOR	1/10W 33R J	R984	VE-30012641	RESISTOR	1/16W 10K J
R862	VE-30012696	RESISTOR	1/16W 47K J	R985	VE-30000593	RESISTOR	1/10W 2.2K J
R863	VE-30012685	RESISTOR	1/16W 33K J	R986	VE-30012677	RESISTOR	1/16W 3.3K J
R864	VE-30012641	RESISTOR	1/16W 10K J	R987	VE-30000475	RESISTOR	1/10W 10K J
R865	VE-30012641	RESISTOR	1/16W 10K J	R988	VE-30012677	RESISTOR	1/16W 3.3K J
R866	VE-30012641	RESISTOR	1/16W 10K J	R996	VE-30000818	RESISTOR	1/10W 8.2K J
R867	VE-30012712	RESISTOR	1/16W 8.2K J	R997	VE-30000818	RESISTOR	1/10W 8.2K J
R868	VE-30012704	RESISTOR	1/16W 6.2K J	R998	VE-30000818	RESISTOR	1/10W 8.2K J
R869	VE-30000682	RESISTOR	1/4W 39R J	R999	VE-30000818	RESISTOR	1/10W 8.2K J
R870	VE-30000737	RESISTOR	1/4W 5.1K J	R1000	VE-30000818	RESISTOR	1/10W 8.2K J
R871	VE-30000748	RESISTOR	1/4W 5.6K J	R1001	VE-30000818	RESISTOR	1/10W 8.2K J
R872	VE-30012641	RESISTOR	1/16W 10K J	R1002	VE-30000818	RESISTOR	1/10W 8.2K J
R873	VE-30000710	RESISTOR	1/10W 47R J	R1003	VE-30000494	RESISTOR	1/10W 120R J
R874	VE-30012674	RESISTOR	1/16W 27K J	△TR801	VE-30039386	LINE FILTER	
R875	VE-30011739	RESISTOR	1/16W 3.9K F	△TR802	VE-30039386	LINE FILTER	
R876	VE-30000953	RESISTOR	1/4W 30K F	△TR803	VE-30033946	TRF	
R877	VE-30019127	RESISTOR	1/16W 27K F	TR804	VE-30036809	TRF	
R878	VE-30000589	RESISTOR	1/2W 2.2K J	△TR805	VE-30036684	TRF	
R879	VE-30024774	RESISTOR	1/16W 1.2K F	△TR806	VE-30036822	TRF	
R880	VE-30012506	RESISTOR	1/16W 1.5K J				
R881	VE-30012508	RESISTOR	1/16W 1.8K J	△L802	VE-30039360	FIXED COIL	
R882	VE-30012641	RESISTOR	1/16W 10K J	L804	VE-30032610	FIXED COIL	
R883	VE-30016846	RESISTOR	1/16W 3.3K F	L810	VE-30018122	FIXED COIL	
R884	VE-30016426	RESISTOR	1/16W 27R J	L811	VE-30018122	FIXED COIL	
R887	VE-30012641	RESISTOR	1/16W 10K J	L813	VE-30002027	FIXED COIL	
R888	VE-30000464	RESISTOR	1/10W 100R J				
R889	VE-30000464	RESISTOR	1/10W 100R J	△F800	VE-30031038	FUSE	2.5A 250V
R890	VE-30000464	RESISTOR	1/10W 100R J	PL808	VE-30040955	E CAPACITOR	150uF 450V M
R891	VE-30012692	RESISTOR	1/16W 4.7K J				
R892	VE-30012641	RESISTOR	1/16W 10K J				
R893	VE-30012641	RESISTOR	1/16W 10K J				
R897	VE-30000477	RESISTOR	1/4W 100K J				
R910	VE-30012696	RESISTOR	1/16W 47K J				
R912	VE-30046429	RESISTOR	1/4W 2M F				
R913	VE-30039196	RESISTOR	1/4W 1M F				
R914	VE-30039196	RESISTOR	1/4W 1M F				
R915	VE-30039196	RESISTOR	1/4W 1M F				
R917	VE-30012667	RESISTOR	1/16W 220K J				
R918	VE-30012641	RESISTOR	1/16W 10K J	△R100	VE-30018085	CAPACITOR	510V K
R919	VE-30012696	RESISTOR	1/16W 47K J				
R920	VE-30012696	RESISTOR	1/16W 47K J	△F100	VE-30040036	FUSE	3.15A/250V
R921	VE-30000469	RESISTOR	1/10W 1K J	△PL100	VE-30001871	AC INLET	
R922	VE-30012672	RESISTOR	1/16W 270K J	△SW100	VE-30002175	POWER SWITCH	
R923	VE-30012641	RESISTOR	1/16W 10K J	△TH100	VE-30001265	NTC MONITOR	
R924	VE-30012355	RESISTOR	1/10W 6.8K F				
R925	VE-30014420	RESISTOR	1/16W 10K F				
R926	VE-30039196	RESISTOR	1/4W 1M F				
R927	VE-30039196	RESISTOR	1/4W 1M F				
R928	VE-30039196	RESISTOR	1/4W 1M F				
R929	VE-30000469	RESISTOR	1/10W 1K J				
R930	VE-30012641	RESISTOR	1/16W 10K J				
R931	VE-30024770	RESISTOR	1/16W 6.34K F				
R932	VE-30046429	RESISTOR	1/4W 2M F				
R933	VE-30012644	RESISTOR	1/16W 12K J				
R940	VE-30046429	RESISTOR	1/4W 2M F				
R941	VE-30012509	RESISTOR	1/16W 100K J				
R942	VE-30012701	RESISTOR	1/16W 560K J				
R944	VE-30012696	RESISTOR	1/16W 47K J				
R945	VE-30010656	RESISTOR	1/10W 59K F				
R947	VE-30012703	RESISTOR	1/16W 56K J				
R950	VE-30012712	RESISTOR	1/16W 8.2K J				
R951	VE-30012508	RESISTOR	1/16W 1.8K J				
R952	VE-30006462	RESISTOR	1/10W 22R J				
R953	VE-30000843	RESISTOR	1/4W 10R J				
R956	VE-30013001	RESISTOR	1/16W 1K F				
R957	VE-30013001	RESISTOR	1/16W 1K F				
R958	VE-30000592	RESISTOR	1/8W 2.2K J				
△R960	VE-30001257	RESISTOR	1/2W 4.7M J				
R961	VE-30000457	RESISTOR	1/10W 10R J				
R962	VE-30000717	RESISTOR	1/10W 470R J				
R963	VE-30000778	RESISTOR	1/10W 6.8K J				

NOISE FILTER P.W. BOARD ASS'Y (VE-20265741)

PACKING



PACKING PARTS LIST

△	Ref.No.	Part No.	Part Name	Description	Local
	1	VE-50093074	CARTON BOX		LT-32DF7BC
	1	VE-50093629	CARTON BOX		LT-32DF7BK
	2	VE-20279800	CUSHION ASSEMBLY	4pcs in 1set	
	4	VE-30044649	REMOTE CONTROL UNIT	RM-C1897S	LT-32DF7BC
	4	VE-30034033	REMOTE CONTROL UNIT	RM-C1895	LT-32DF7BK
△	5	VE-50093075	INST BOOK	English/French/Spanish/Germany	LT-32DF7BC
△	5	VE-50093630	INST BOOK	English	LT-32DF7BK
	6	-----	BATTERY	AA/R6 type(x2)	
	7	-----	WARRANTY CARD	VE-50093076	LT-32DF7BC
	7	-----	WARRANTY CARD	VE-50093701	LT-32DF7BK
△	8	VE-20264518	POWER CORD	EU type	LT-32DF7BC
△	8	VE-20264517	POWER CORD	UK type	LT-32DF7BK
	9	VE-50038565	POLY BAG	1100x750mm	LT-32DF7BC