

Pos.	Référence	Désignation
------	-----------	-------------

016107012

LAVE LINGE KNEISSEL LK 450 CST

Vues éclatées + schéma électrique + diagramme

REF VUE	REF PIECE	DESIGNATION	QTE
A010	720091900	COUVERCLE A COMPENSATEUR	1
A013	430013800	VIS FIXATION AMORTISSEUR	4
A014	434003100	ECCROU FIXATION AMORTISSEUR	4
A024	499014800	AMORTISSEUR ARRIERE 250 N	1
A025	398078900	ENTRETOISE PLASTIQUE SUPERIEURE RESSORT	3
	398079000	ENTRETOISE PLASTIQUE INFERIEURE RESSORT	3
A100	734000400	BORNIER ARRIVEE ELECTRIQUE	1
A110	444007700	RESSORT CHARNIERE	2
A120	441000100	BAGUE FIXATION RESSORT CHARNIERE	2
A150	340009600	JONC PLASTIQUE	1
A160	342012700	CADRE SOUS COUVERCLE	1
A170	398059300	BAC A PRODUITS	1
A180	398069600	SUPPORT SECURITE PORTE	1
A190	434000200	ECCROU PIED REGLABLE	4
A200	450001400	PIED REGLABLE	4
A300	444005400	RESSORT SUSPENSION CUVE AVANT	2
A301	352003300	PROTECTION POMPE DE VIDANGE	1
A302	499014700	AMORTISSEUR AVANT 120 N	1
A304	398056400	RAMASSE GOUTTES PV	1
A340	534002000	ELECTROVANNE	1
A350	520003200	PRESSOSTAT	1
A360	998004200	POMPE DE VIDANGE	1
A370	532000400	CONDENSATEUR	1
A380	532000300	CONDENSATEUR ANTIPARASITE	1
A390	530000202	SECURITE DE PORTE	1
A400	508000200	CABLE ALIMENTATION	1
A420	272008001	PANNEAU LATERAL	1
A430	328001700	COUVERCLE BAC A PRODUITS	1
A460	710003201	CAROSSERIE	1
A540	444005100	RESSORT SUSPENSION CUVE ARRIERE	1
A560	499017100	LEVIER COMMANDE DISTRIBUTEUR	1
A570	398022400	DISTRIBUTEUR BAC A PRODUITS	1
A580	330006000	COUVERCLE BORNIER	1
A590	428000600	ENTRETOISE SUPPORT TUYAU	2
A950	398009600	SYMPONBAC	1
A960	398056700	COIN GAUCHE PLINTHE	1
A970	444004200	RESSORT VOLET PLINTHE	1
A980	398056500	TRAPPE POMPE VIDANGE	1

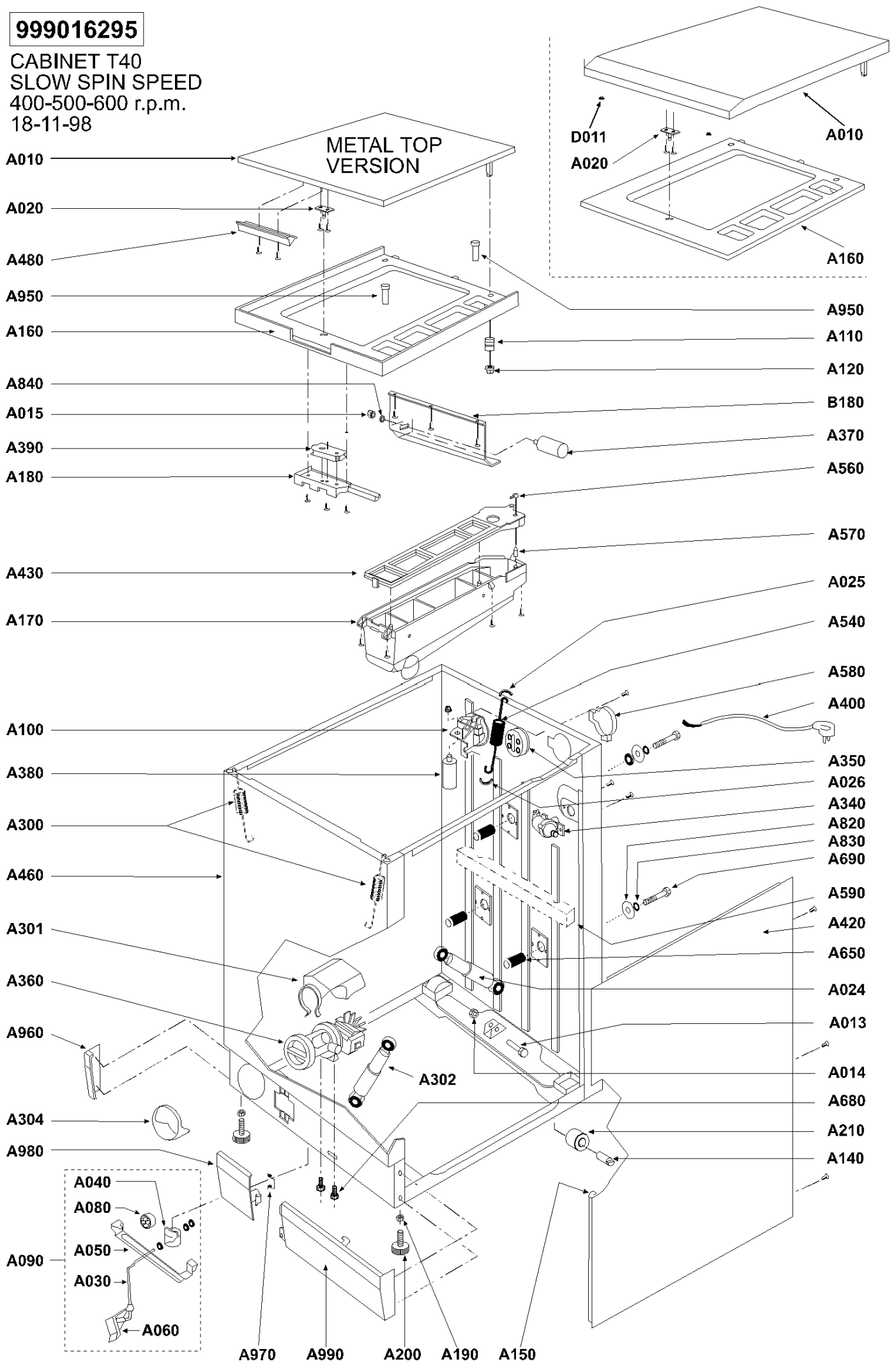
REF VUE	REF PIECE	DESIGNATION	QTE
A990	366003800	PLINTHE	1
B005	326059400	SUPPORT COUVERCLE MANETTE TH	1
B010	540002500	LAMPE TEMAON	1
B020	998026700	CLAVIER	1
B030	516008000	PROGRAMMATEUR	1
B050	810166800	TABLEAU BORD	1
B110	330047200	COUVERCLE MANETTES PG + THERM	2
B120	808053602	CADRAN INDICATEUR PROGRAMMES	1
B150	320060700	SUPPORT TABLEAU BORD	1
B160	332024900	TOUCHE CLAVIER	1
B180	352004700	PROTECTION COMPOSANTS ELECTRIQUES	1
B210	526007101	THERMOSTAT REGLABLE	1
B240	414004800	TUYAU VIDANGE SUPPORT TDB	1
B250	444000700	RESSORT LEVIER RAPPEL DISTRIBUTEUR	1
B260	499005300	LEVIER RAPPEL DISTRIBUTEUR	1
B290	442002900	TIGE COMMANDE DISTRIBUTEUR	1
B300	808048304	CADRAN THERMOSTAT	1
B320	464074700	LISTEL PLEXIGLASS	1
B410	326059800	MANETTE PROGRAMMATEUR	1
B470	444005700	RESSORT MANETTE PROGRAMMATEUR	1
C010	402012100	DURITE BOITE LESSIVE - CUVE	1
C020	414003600	DURITE PRESSOSTAT	1
C030	402009100	JOINT ARRIVEE EAU	1
C050	402009900	DURITE CUVE - POMPE VIDANGE	1
C080	414004400	TUYAU DE VIDANGE	1
C110	414002700	DURITE ELECTROVANNE - BOITE LESSIVE	1
C120	408000300	TUYAU ARRIVEE EAU	1
C150	398019400	GROSSE TUYAU VIDANGE	1
C180	402003900	JOINT FILTRE ARRIVEE EAU	1
D001	398063100	PROTECTION JOINT A SOUFFLET	1
D002	404000400	JOINT A SOUFFLET	1
D003	441010600	COLLIER FIXATION JOINT	1
D013	430007400	VIS FIXATION CONTREPOIDS SUPERIEUR	2
D016	402006400	JOINT FIXATION BOUTON CONTREPOIDS	4
D017	266005900	PLAQUE D'APPUI CONTREPOIDS SUPERIEUR	2
D021	266004900	PLAQUE D'APPUI CONTREPOIDS INFERIEUR	4
D027	352008800	PROTECTION PLASTIQUE MOTEUR DROITE	1
D028	352008900	PROTECTION PLASTIQUE MOTEUR GAUCHE	1

REF VUE	REF PIECE	DESIGNATION	QTE
D032	444000900	RESSORT ALBE EXTRACTIBLE	1
D066	398080400	BOULON CONTREPOIDS SUPERIEUR	4
D130	402008900	JOINT THERMOSTAT	2
D140	999400500	KIT COMPLET (D140+D380+D390+D500)	-
D200	268004100	DISQUE BLOCAGE VIS	1
D210	398010900	TAMPON CONTREPOIDS	2
D220	398017300	CAPUCHON	1
D250	430009000	VIS COLLIER CUVE	1
D270	727003000	PLAQUE CUVE	1
D280	726004800	CUVE	1
	726009602		
D290	704002800	TAMBOUR	1
D300	434001900	ECCROU COLLIER CUVE	1
D310	441008900	AMORTISSEUR MOTEUR	3
D320	430013500	VIS BLOCAGE ARBRE TAMBOUR	1
D330	526001500	THERMOSTAT DE MINIMUM 33°NA	1
D350	998003302	RESISTANCE	1
D360	998003802	MOTEUR	1
D380	999400500	KIT COMPLET (D140+D380+D390+D500)	-
D390	999400500	KIT COMPLET (D140+D380+D390+D500)	-
D410	402003600	JOINT PLAQUE CUVE	1
D420	268001900	POULIE TAMBOUR	1
D430	441000200	COLLIER PLAQUE DE CUVE	1
D440	416000102	COURROIE	1
D470	398040100	ALBE EXTRACTIBLE TAMBOUR (à fournir avec 444003900)	1
D480	398040000	ALBE FIXE TAMBOUR	2
D490	398014500	GOUTTIERE PROTECTION MOTEUR	1
D500	999400500	KIT COMPLET (D140+D380+D390+D500)	-
D530	428000300	BAGUE FIXATION MOTEUR	3
D750	490002100	CONTREPOIDS SUPERIEUR	1
	490003300		
	490003300		
D800	430014100	VIS CONTREPOIDS INFERIEUR	1
D810	430014200		3
D820	268002100	PLAQUE FIXATION ANNEAU ET ANCHETTE	1
D830	490002800	CONTREPOIDS INFERIEUR ARRIERE	1
D840	490004700	CONTREPOIDS INFERIEUR AVANT	1

05 98

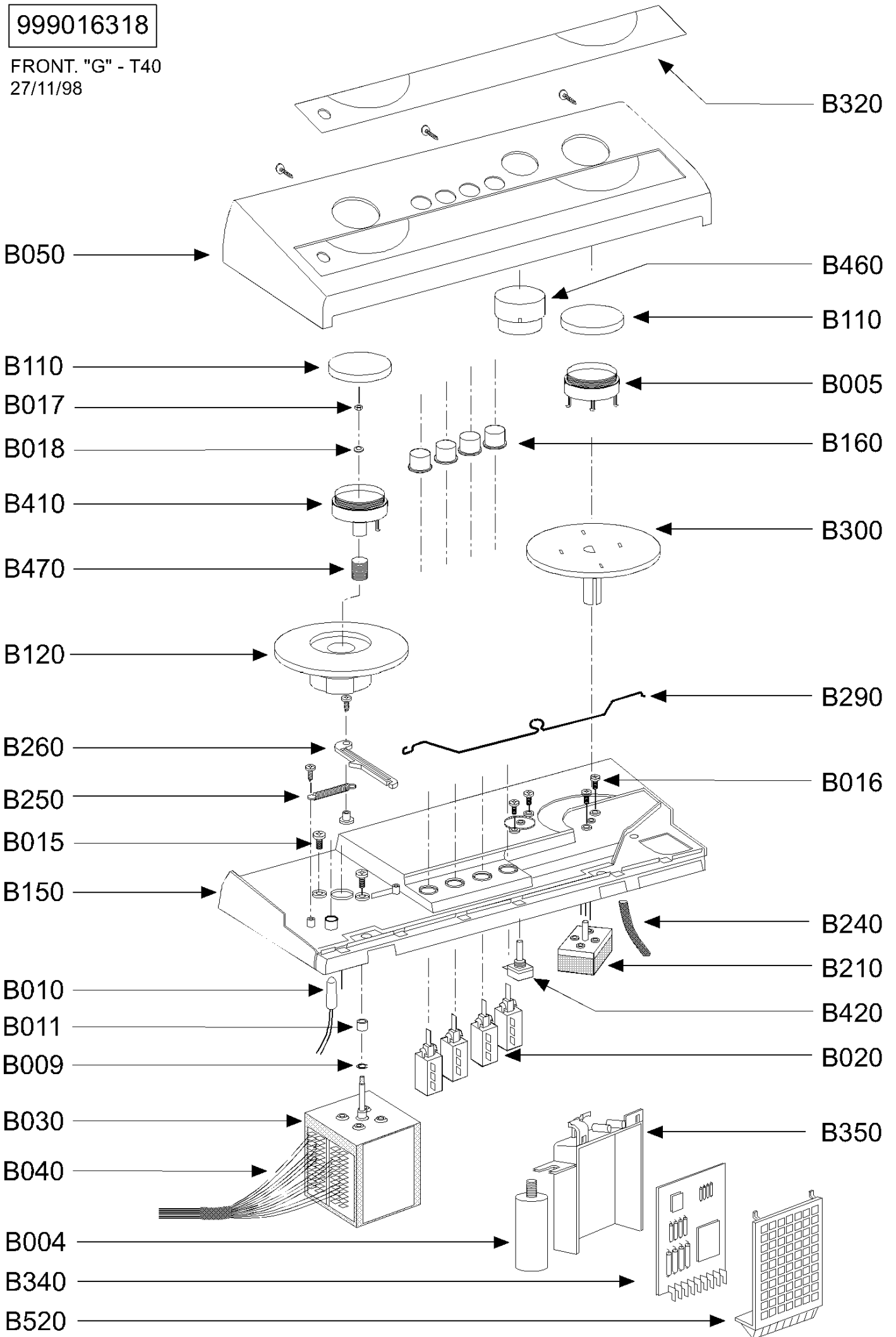
999016295

CABINET T40
SLOW SPIN SPEED
400-500-600 r.p.m.
18-11-98



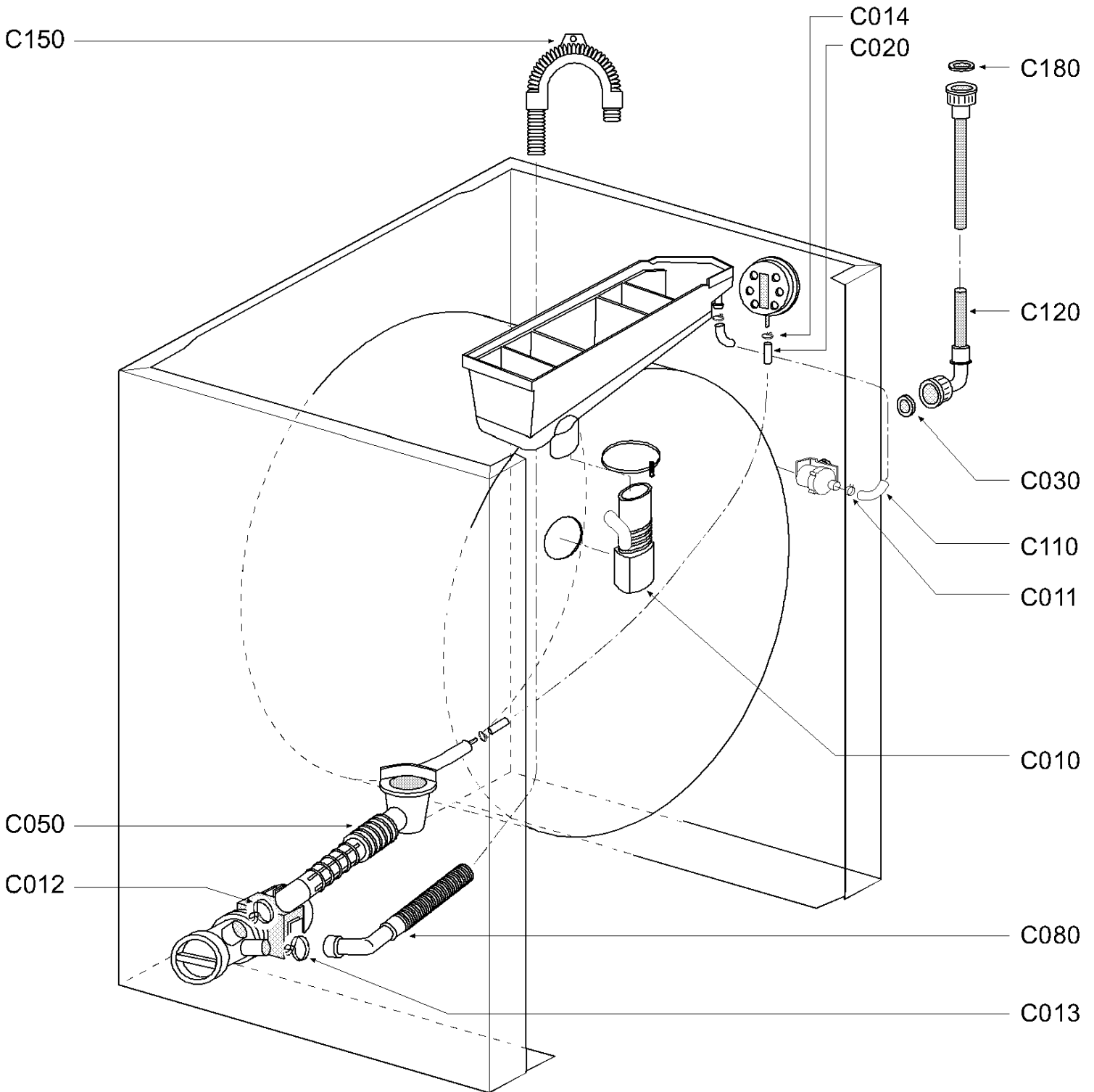
999016318

FRONT. "G" - T40
27/11/98



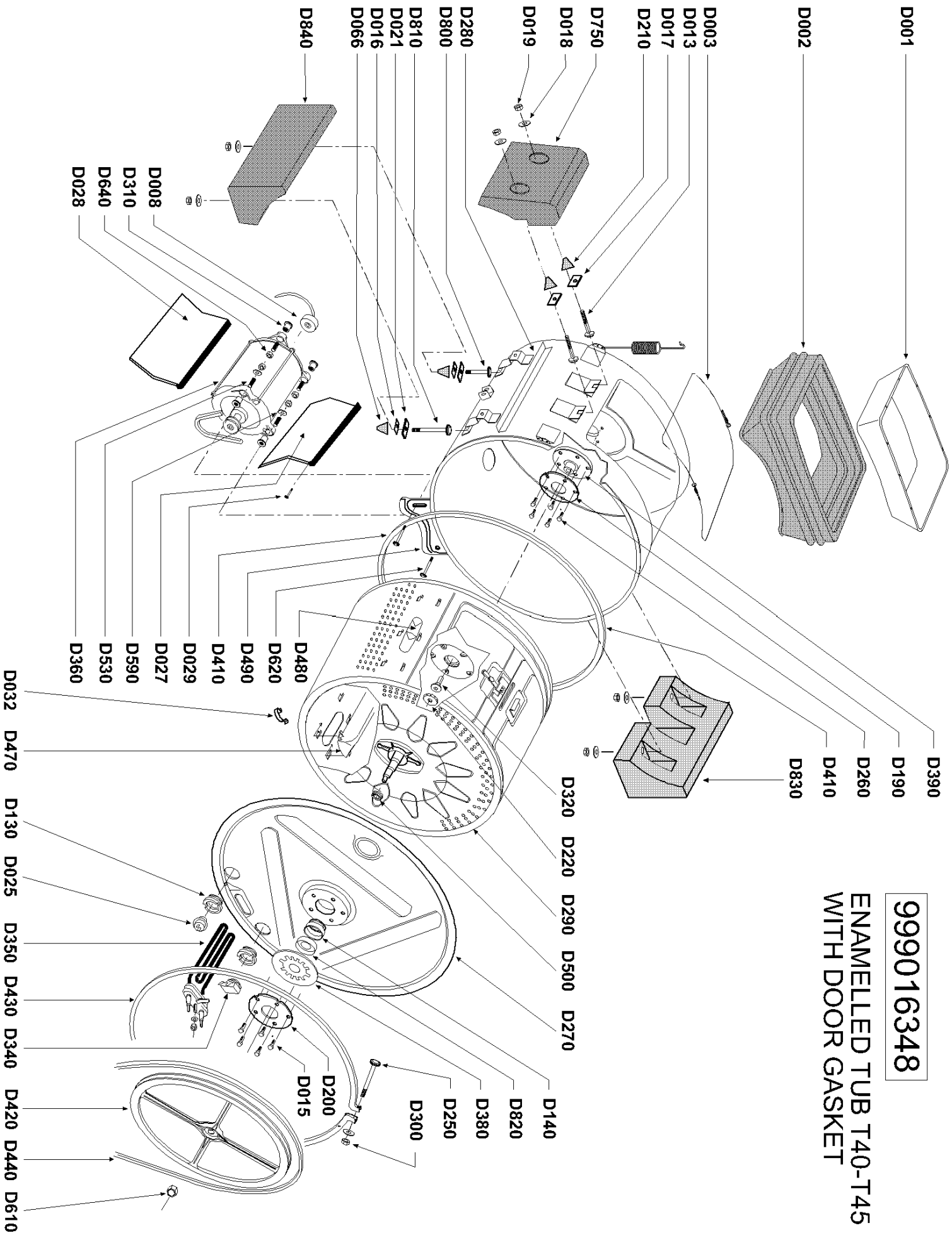
999016331

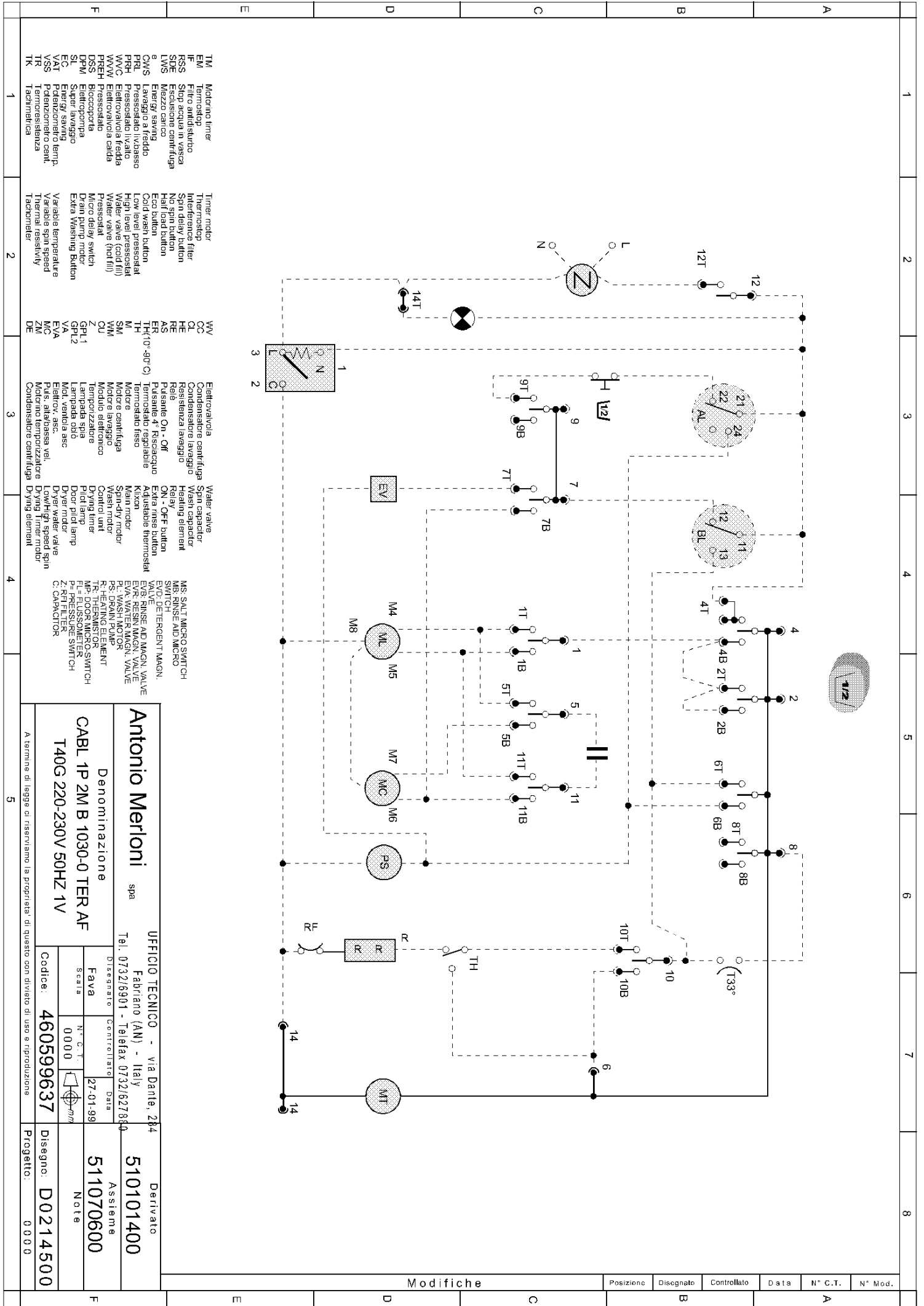
LBCA T40 - AF - STANDARD
02/12/98



999016348

ENAMELLED TUB T40-T45
WITH DOOR GASKET





1	2	3	4	5
TM. Motore timer EM. Termistop IF. Filtro antidi-silurio RSS. Stop acqua in vasca SDE. Esclusione centrifuga LVS. Mezzo carico 9. Energy saving PLS. Lavaggio a freddo PHL. Pressostato ivabasso PHS. Pressostato ivialto VNC. Pressostato ivialto VAVV. Elettrovalvola calda PREH. Pressostato DSS. Biocoppoia DPM. Elettropompa SL. Super lavaggio EC. Energy saving VAT. Pedanzometro temp. VSS. Pedanzometro cent. TR. Termorresistenza TK. Tachimetrica	Timer motor Thermostop Interference filter Spin delay button No spin button Half load button Eco button Cold wash button Low level pressostat High level pressostat Light level pressostat Water valve (hot/cil) Pressostat Micro delay switch Drain pump motor Extra Washing Button Variable temperature Variable spin speed Thermal resistivity Tachometer	WV. Elettrovalvola CC. Condensatore centrifuga CL. Condensatore lavaggio HE. Resistenza lavaggio RE. Resistenza riscald AS. Pulsante On - Off TH. Termistop regolabile TH(10°-90° C). Termistop fisso TR. Pulsante 4° Risciacquo TH. Termistop lavaggio TH. Termistop risc. TH. Termistop risc.	Water valve Spin capacitor Wash capacitor Heating element Relay ON - OFF button Extra rinse button Adjustable thermostat M4. Motor centrifuga M5. Motor centrifuga M6. Motor centrifuga M7. Motor centrifuga M8. Motor centrifuga PS. Motor centrifuga MT. Motore timer TH. Thermal resistor	MS. SALT/MICRO SWITCH MB. RINSE AND MICRO SWITCH MA. RINSE AND MICRO SWITCH EV. DETERGENT MAGN. VALVE EVB. RESIN MAGN. VALVE EVR. RESIN MAGN. VALVE PVA. WASH MOTOR PS. DRAIN PUMP TR. HEATING ELEMENT MP. DOOR MICRO SWITCH PE. PRESSURE SWITCH Z. RFI FILTER C. CAPACITOR

Modifiche	Posizione	Disegnato	Controllato	Data	N° C.T.	N° Mod.

Antonio Merloni spa

UFFICIO TECNICO - Via Dante, 284
 Fabriano (AN) - Italy
 Tel. 0732/6901 - Telefax 0732/627810

Derivato
510101400

Denominazione
CABL 1P 2M B 1030-0 TER AF

Disegnato
 Fava
 Scala
 N° C.T.
 0000

Assieme
511070600
 Note

Codice: **460599637**

Disegno: **D0214500**

Progetto: 0000

A termine di legge ci riserviamo la proprietà di questo con divieto di uso e riproduzione

Type	Code Number	Timer Description
TIMER 7918-1324	516008000	220-240V 50Hz

KEY	
AAL	Very High Level
AL	High Level
B/A	Low Level / High Level
BL	Low Level
D	Delicate Washing
DD	Very delicate Washing
N	Normal Washing
P	Time to Reach Water Level
T	Time to Reach Temperature
TA	Drying Time

Timer position	1	2
NORMAL WASHING	T	T
NORMAL WASHING	B	B
DELICATE WASHING	T	T
DELICATE WASHING	B	B

Timer position	1	2	3	4	5	6	7	8	9	10	11	12
PUSH-PULL	T	T	T	T	T	T	T	T	T	T	T	T
WASHING CAPACITOR	B	B	B	B	B	B	B	B	B	B	B	B
SPINNING CAPACITOR	T	T	T	T	T	T	T	T	T	T	T	T
HEATING	B	B	B	B	B	B	B	B	B	B	B	B
STOP WITH WATER	T	T	T	T	T	T	T	T	T	T	T	T
HIGH LEVEL	B	B	B	B	B	B	B	B	B	B	B	B
HOT WATER VALVE	T	T	T	T	T	T	T	T	T	T	T	T
HOT WATER VALVE	B	B	B	B	B	B	B	B	B	B	B	B
FULL TIMER	T	T	T	T	T	T	T	T	T	T	T	T
OPZ. EXTRA RINSE - DRAINING	B	B	B	B	B	B	B	B	B	B	B	B
COLD WATER VALVE	T	T	T	T	T	T	T	T	T	T	T	T
SPIN	B	B	B	B	B	B	B	B	B	B	B	B
FULL TIMER	T	T	T	T	T	T	T	T	T	T	T	T
DRAIN PUMP	B	B	B	B	B	B	B	B	B	B	B	B
WASHING CAPACITOR	T	T	T	T	T	T	T	T	T	T	T	T
SPINNING CAPACITOR	B	B	B	B	B	B	B	B	B	B	B	B
TIMER DIRECT	T	T	T	T	T	T	T	T	T	T	T	T
NORMAL WASHING	B	B	B	B	B	B	B	B	B	B	B	B
NORMAL WASHING	T	T	T	T	T	T	T	T	T	T	T	T
DELICATE WASHING	B	B	B	B	B	B	B	B	B	B	B	B

Timer position	1	2	3	4	5	6	7	8	9	10	11	12
TO SUBSEQUENT POSITION AFTER	P+2,5/5'	P+T+5'	P 5'	P+5'	2,5'	P+2,5/5'	P+T/5'	P+5'	P+5'	P+5'	P+5'	P+5'
Type of Washing	BL	BL	BL	BL	BL	BL	BL	BL	BL	BL	BL	BL
Water level	N	N	N	N	N	N	N	N	N	N	N	N
FUNCTIONS OF THE MACHINE	FILLING DELICATE	FILLING WASHING + HEATING	FILLING WASHING + HEATING	FILLING WASHING + HEATING	DRAINING + WASHING	FILLING WASHING	FILLING WASHING + HEATING	FILLING WASHING + HEATING	FILLING WASHING + HEATING	FILLING WASHING + HEATING	FILLING WASHING + HEATING	FILLING WASHING + HEATING

Antonio Merloni spa

UFFICIO TECNICO - via Dante, 284
 Fabriano (AN) - Italy
 Tel. 0732/6901 - Telex 0732/627840

Derivato
 000000000

Denominazione
LINEAGRAM/TIM 7918-1324-220-240V
 50HZ CF/CA 1V

Disegnato
 000000000

Assemble
 000000000

Nota

Codice: **460600900** Disegno: **D0671800**

Progetto: 0000

A termine di legge si riservano la propriet  di questo con divieto di uso e riproduzioni