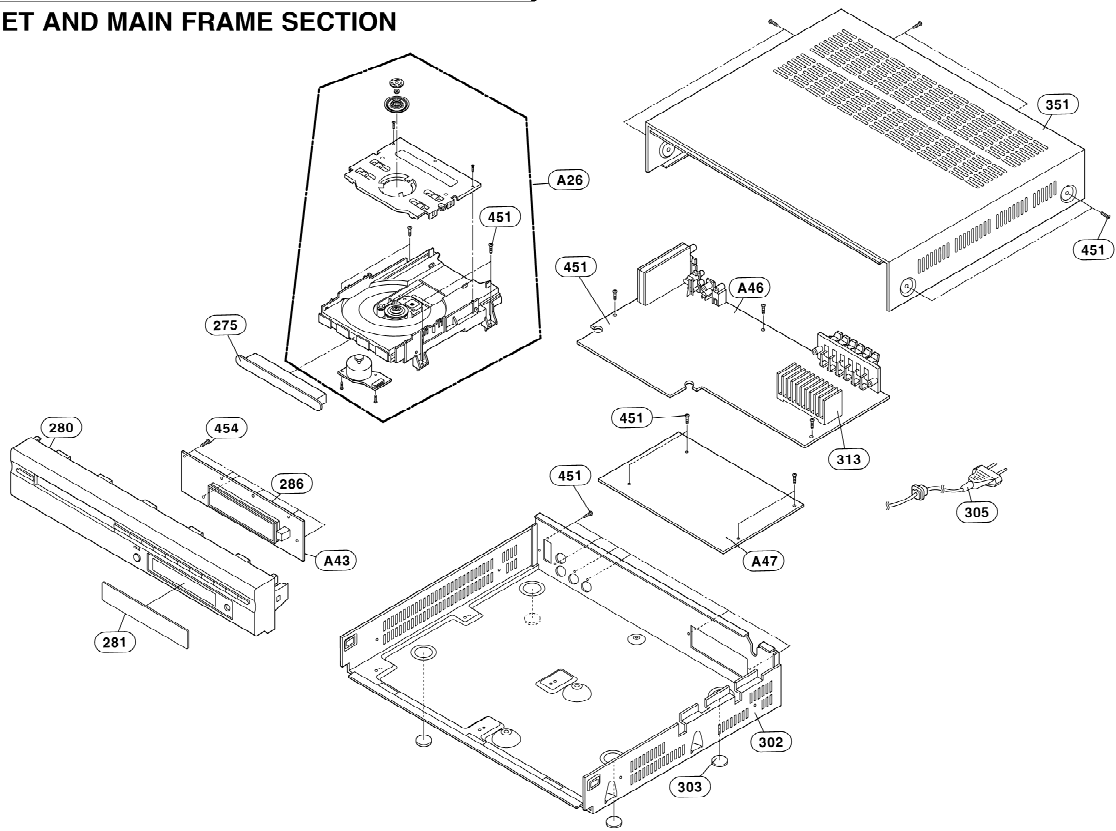
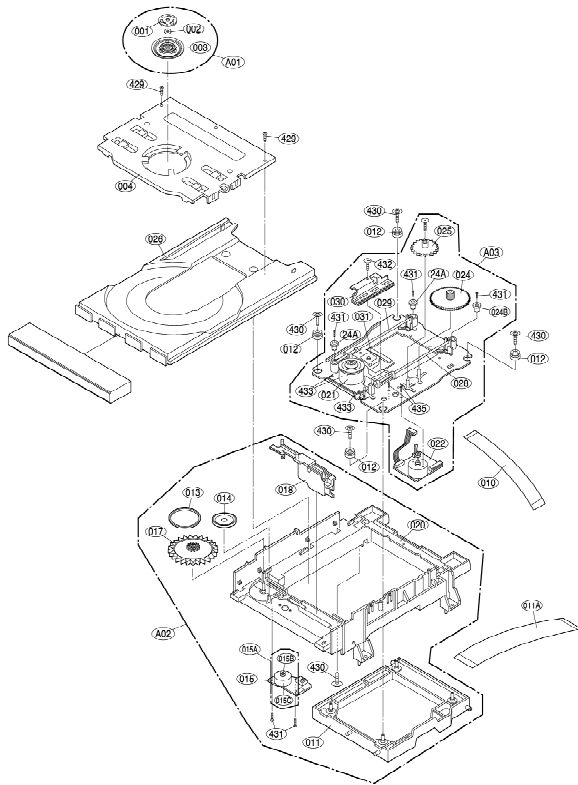


## SECTION 4. EXPLODED VIEWS

### □ CABINET AND MAIN FRAME SECTION



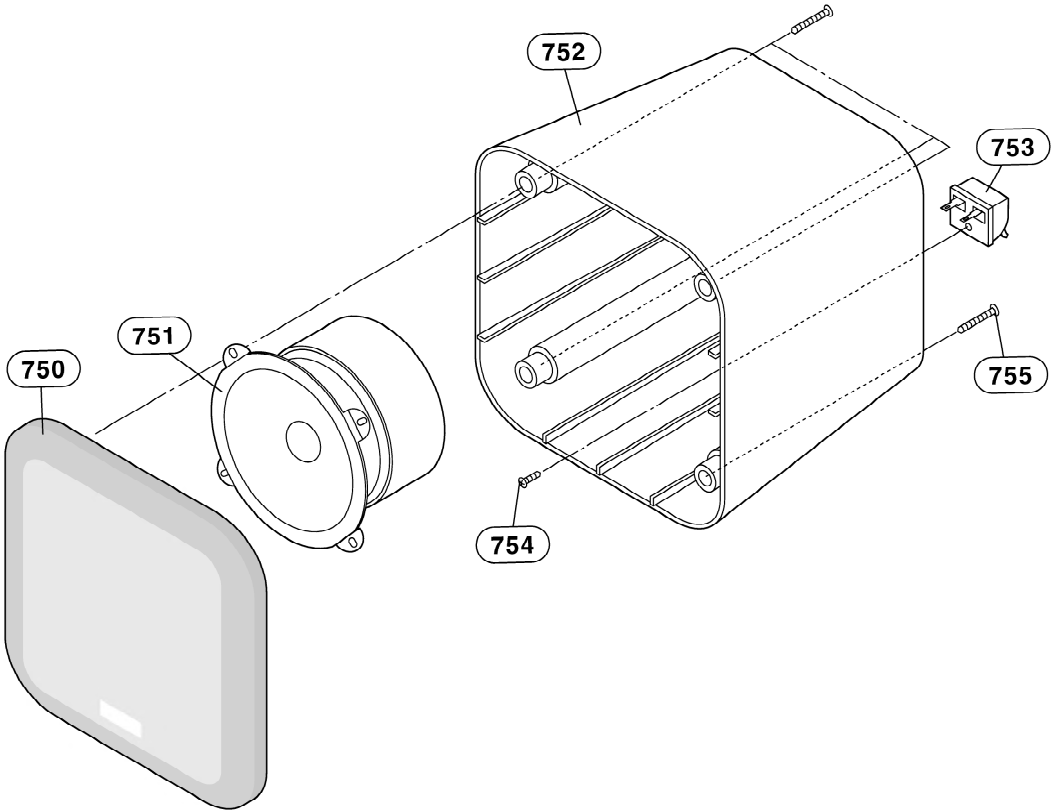
• DECK MECHANISM EXPLODED VIEW



LOCA. NO.	PART NO.	DESCRIPTION	SPECIFICATION
A28	6721RJ0868E	DECK ASSEMBLY,AUDIO	DECK/MECHA DP 7T(HZ) ESS (M.M
A01	4861R 0018D	CLAMP ASSEMBLY	DECK/MECHA DISC DP 7C(7A) HZ
A02	3041R M040A	BASE ASSEMBLY	MAIN DP 7T HZ
A03	3041R M061D	BASE ASSEMBLY	SLED DP 7A HZ ESS (M. MITSUMI
001	3300R-0547A	PLATE	CLAMP
002	5016H-1016B	MAGNET	CLAMP/LDM-R608.10'5.1'1.5T)
003	4900R-0021A	CLAMP	UPPER DP7
004	4900R-0402A	HOLDER	CLAMP DP-7A
010	6850R-GK22Z	CABLE,FLAT	P=1.0 FFC UL2896(0.05X0.65) 11
011	3210R-M002A	FRAME	UP/DOWN MOLD DP7C
011A	6850R-W168	CABLE,FLAT	P=1.0 FFC (UL2896(0.035X0.7) 23
012	5040R-0073D	RUBBER	DAMPER DPT7 (YAMAUCHI 30)
013	4400R-0006B	BELT	DECK/MECHA DP2-S, DP7C,DP7A OT
014	4470R-0025A	GEAR	PULLEY
015	6871RJ4415A	PWB(PCB) ASSEMBLY,JACK	PWB(PCB) TOTAL LOADING-HZ
015A	4681R-1023G	MOTOR ASSEMBLY	DECK/MECHA LOADING-HZ
015B	4560H-0008A	PULLY	MOTOR
015C	4880R-E010A	MOTOR(MECH)	FEEDING BCZ3B51 SANKYO FOR DP7
017	4470R-0056A	GEAR	LOADING
018	4974R-0023A	GUIDE	UP/DOWN
020	5040R-0005A	BASE	MAIN DP-7T MOLD (SLIM)
021	4680R-C011A	MOTOR(MECH)	SPINDLE JCL088 SANKYO FOR COM
022	4681R-0034D	MOTOR ASSMRLY	DECK/MECHA FEEDING DP-7C(7A) -
024	4470R-0131A	GEAR	PINION DP7C
024A	5006R-0044A	CAP	SKEW-T DP7C
024B	5006R-0043A	CAP	SKEW DP7C
025	4470R-0130A	GEAR	MIDDLE DP7C
026	3360R-0026A	TRAY	DVD DP-7T MOLD DISC
028	4370H-00082H	SHAFT	DECK/MECHA PU H DP-7C (1)HLH
029	4370H-00082A	SHAFT	PU DP-7C
030	4471H-0013J	GEAR ASSEMBLY	DECK/MECHA HACK DP-7C(7A) -HZ
031	6716DJPH05B	PICK UP/DVD	PVH-502W HS2 U219 MITSUMI P'LAY
429	1SZZH-0012A	SCREW,DRAWING	B-111E
430	1SZZH-1003A	SCREW,DRAWING	+ D2.0 8MM SWRCH16A/NIY 4.5MM
431	1SZZH-1007B	SCREW,DRAWING	+ D2.0 8MM SWRCH16A/ZNBK 4MM 1
432	1SZZR-0023B	SCREW,DRAWING	+ T D1.7 L8.0 SWRCH16A/FZY FAC
433	1SZZR-0050A	SCREW,DRAWING	+ 1 D2.0 L4.5 SWRCH16A/ZNY S-T
435	1SZZR-0011A	SCREW,DRAWING	MACHINE

# SECTION 5. SPEAKER SECTION

□ MODEL : LHS-T6345T



□ MODEL : LHS-T6345W

